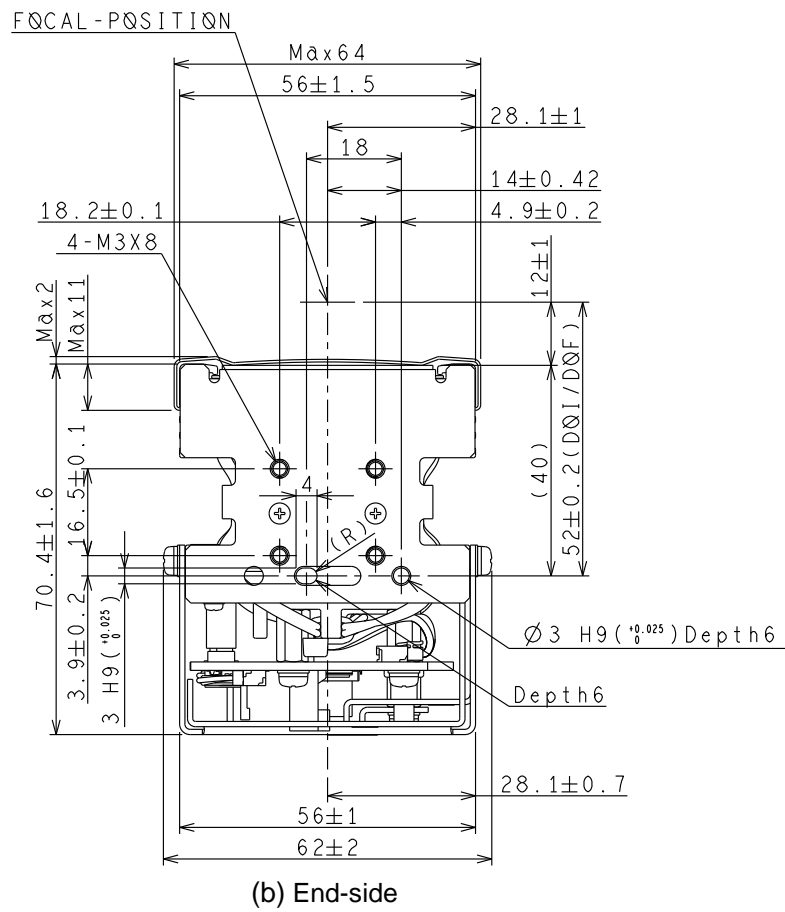
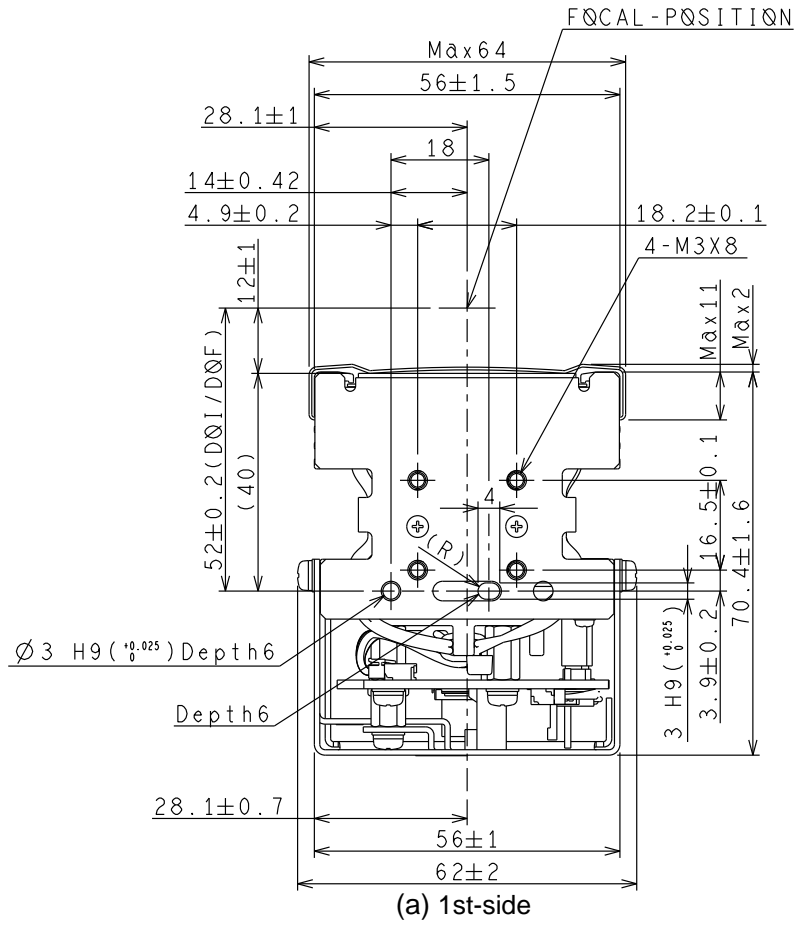


KD6R617AX3 Outline drawing



Side view (common mechanism to the illumination models)