

FACTORY AUTOMATION

Numerical Control (CNC) NC Specification Selection Guide M800V/M80V/E80/C80 Series



- **M800VW Series**
- **M800VS Series**
- **M80VW Series**
- **M80V Series**
- **E80 Series**
- **C80 Series**



Our Factory Automation business is focused on "Automating the World" to make it a better, more sustainable environment supporting manufacturing and society, celebrating diversity and contributing towards an active and fulfilling role.

Mitsubishi Electric is involved in many areas including the following:

Energy and Electric Systems

A wide range of power and electrical products from generators to large-scale displays.

Electronic Devices

A wide portfolio of cutting-edge semiconductor devices for systems and products.

Home Appliance

Dependable consumer products like air conditioners and home entertainment systems.

Information and Communication Systems

Commercial and consumer-centric equipment, products and systems.

Industrial Automation Systems

Maximizing productivity and efficiency with cutting-edge automation technology.

SUSTAINABLE DEVELOPMENT GOALS

The Mitsubishi Electric Group is actively solving social issues, such as decarbonization and labor shortages, by providing production sites with energy-saving equipment and solutions that utilize automation systems, thereby helping towards a sustainable society.

OVERVIEW

- CNC LINEUP**.....3
- SELECTION PROCEDURE**.....4
- PRODUCT LINES (M800V/M80V/E80 Series)**.....5
- PRODUCT LINES (C80 Series)**7
- M800V/M80V/E80/C80 SERIES LINEUP**9
- CNC SYSTEM**11
 - M800V/M80V/E80/C80 SERIES SPECIFICATIONS LIST...11
 - CONTROL UNIT/DISPLAY UNIT.....51
 - GENERAL CONNECTION DIAGRAM.....57
 - HARDWARE49
 - I/O UNIT AND OTHERS.....53
 - LIST OF CABLES.....70
- DRIVE SYSTEM**.....77
 - SYSTEM CONFIGURATION.....79
 - SPECIFICATIONS85
 - TYPE87
- SERVO MOTOR/DIRECT-DRIVE MOTOR/LINEAR SERVO MOTOR 200V**97
 - HG Series.....97
 - LM-F Series.....105
 - HK Series.....100
 - TM-RB Series.....104
- SPINDLE MOTOR/BUILT-IN SPINDLE MOTOR/TOOL SPINDLE MOTOR 200V** ...107
 - SJ-D Series107
 - SJ-DL Series115
 - SJ-V Series119
 - SJ-B Series128
 - HG Series.....133
 - SJ-DG Series110
 - SJ-DM Series.....117
 - SJ-VL Series122
 - SJ-PMB Series.....132
 - SJ-DJ Series.....114
 - SJ-DN Series.....118
 - SJ-BG Series.....123
 - HG-JR Series133
- SERVO MOTOR/LINEAR SERVO MOTOR 400V**135
 - HG-H Series.....135
 - LM-F Series.....140
 - HQ-H Series136
 - HK-H Series137
- SPINDLE MOTOR/BUILT-IN SPINDLE MOTOR/TOOL SPINDLE MOTOR 400V** ...141
 - SJ-4-V Series141
 - HG-JR Series145
 - SJ-4BG Series143
 - SJ-4BGS Series.....144
- DRIVE UNIT**146
 - MDS-E Series.....146
 - MDS-EJ/EJH Series153
 - MDS-EH Series.....148
 - MDS-EX-CVP Series156
 - MDS-EM/EMH Series151
- SELECTION**.....158
- DRIVE SYSTEM DEDICATED OPTIONS/CABLES**.....171
 - SERVO OPTIONS.....171
 - ENCODER INTERFACE UNIT182
 - SELECTION OF CABLES AND CONNECTORS...191
 - SPINDLE OPTIONS.....176
 - DRIVE UNIT OPTION185
 - LIST OF CABLES.....209
- SOFTWARE TOOLS**.....217

(Note) The characteristic values and numerical values without tolerances mentioned in this manual are representative values.



CNC LINEUP

M800VW

**Premium CNC with expandability and flexibility**

- Separated type with the control unit separate from the display
- A Windows-based display is included in the lineup, providing excellent expandability
- Four expansion slots are provided as a standard specification, and further expansion is realized by an optional card slot

M800VS

**High-grade CNC well suited to high-speed high-accuracy machining and multi-axis multi-part system control**

- Panel-in type with an integrated control unit and display
- Multi-CPU architecture allows for high performance and high functional graphics
- A non-Windows display provides easy operability

M80VW

**Standard CNC with expandability and flexibility**

- Separated type with the control unit separate from the display
- A Windows-based display is included in the lineup, providing excellent expandability
- Packaged type for easy selection of machine type
- Two expansion slots are provided as a standard specification, and further expansion is realized by an optional card slot

M80V

**Standard CNC that ensures high productivity and easy operability**

- Panel-in type, with an integrated control unit and display
- Pre-packaged (TypeA/TypeB) for easier selection
- A non-Windows display provides easy operability

E80

**Simple CNC E80 Series, offering easy operability and high cost performance**

- Panel-in type, a control unit with integrated display
- Provided in package (TypeA/TypeB) for easier selection
- A non-Windows display provides easy operability

C80

**iQ Platform compatible CNC C80 Series incorporating Mitsubishi Electric's state-of-the-art technologies**

- Easy linkage with many and varied MELSEC units.
- MELSEC sequencer for PLC and GOT2000 for display unit are used.
- Three of C80 can be mounted on one base and the control system with up to 21 part systems/48 axes can be established.

SELECTION PROCEDURE

Selection procedure flow chart

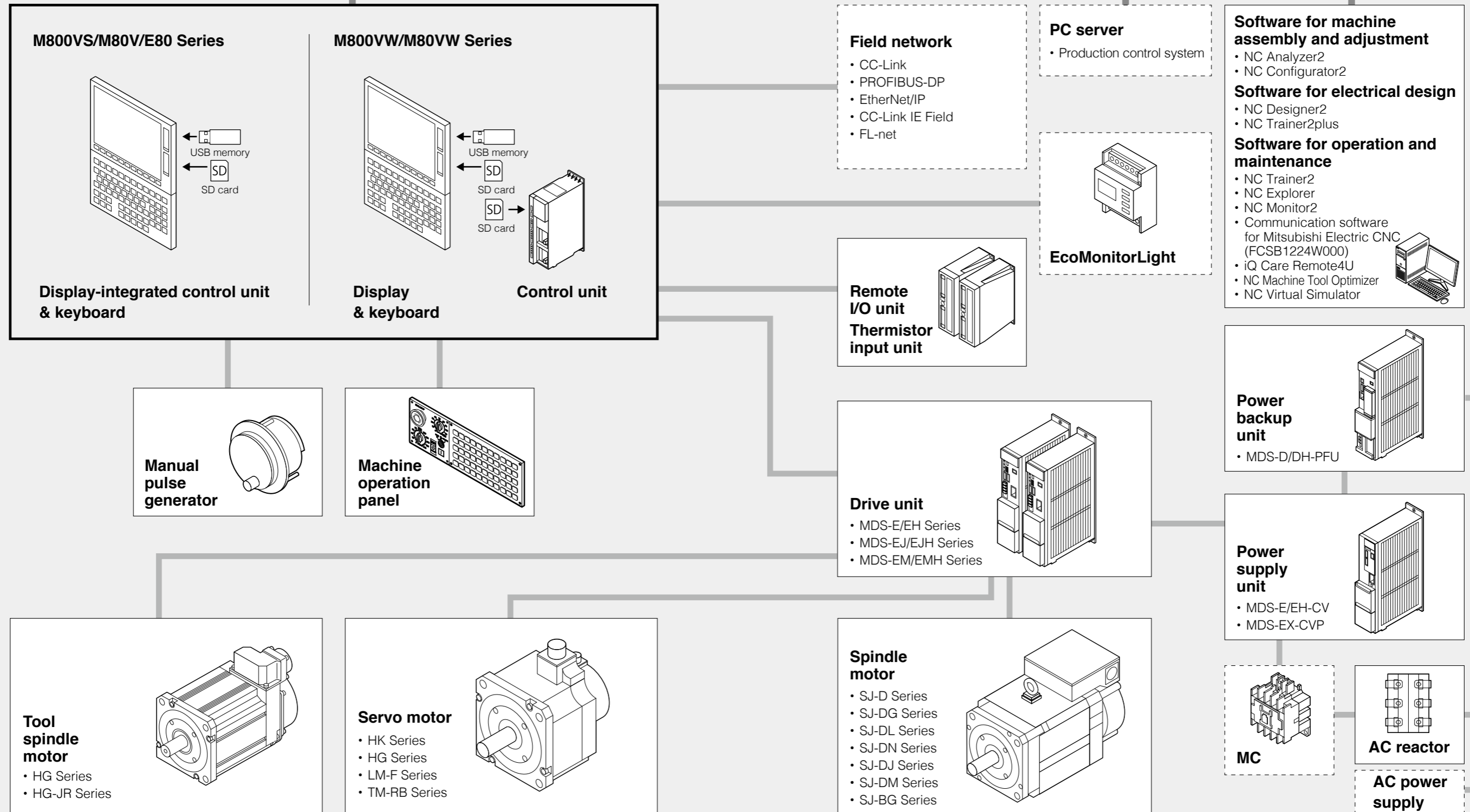
Start selecting the NC specifications!

STEP 1	Check the machine type and specifications	
	<ul style="list-style-type: none"> • Machine type: lathe / machining center / grinding machine / special-purpose machine, etc. • Details of control, required accuracy, with/without auxiliary axes (for workpiece feeding, turret, etc.) 	
STEP 2	Decide the NC specifications	P9
	<ul style="list-style-type: none"> • Number of axes, axis configuration, number of part systems, with/without spindles, number of I/O points • Check the position detection method and detection performance (absolute/relative position, number of pulses) • Select the size of the display unit, keyboard 	
STEP 3	Decide the servo motor	P97
	<ul style="list-style-type: none"> • Select the servo motor capacity (NC Servo Selection) • Check the outline dimensions, encoder, and whether it has a scale or break 	
STEP 4	Decide the spindle motor	P107
	<ul style="list-style-type: none"> • Check the spindle's base/maximum rotation speed, output, torque, outline dimensions and whether it has a keyway • Frame-type or built-in spindle motor • With/without optional specifications (orientation, spindle/C-axis, synchronization, etc.) • Check the C axis accuracy and the speed (when C axis is used) 	
STEP 5	Decide the drive unit	P146
	<ul style="list-style-type: none"> • Check the capacity and the dimensions of a drive unit • Check the power regeneration/resistor regeneration 	
STEP 6	Decide the power supply unit	P158
	<ul style="list-style-type: none"> • Select the power supply unit only when a power regenerative drive unit is used 	
STEP 7	Decide the hardware options	P49,P171
	<ul style="list-style-type: none"> • Check the options (manual pulse generator, synchronous encoder, vibration cutting control, availability of network connection and PLC connection, etc.) • Check the required cables and connectors 	
STEP 8	Decide the software options	P11
	<ul style="list-style-type: none"> • Check the number of programs stored (memory capacity), number of variable sets, etc. • Check the required functions 	
STEP 9	Check the development tools	P217
	<ul style="list-style-type: none"> • Check the screen development tool (when screen customization is required) 	

NC specification selection completed!

PRODUCT LINES (M800V/M80V/E80 Series)

Ethernet



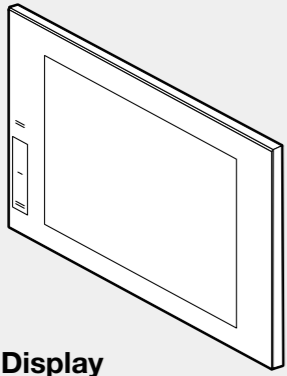
Optional parts are not provided as accessories for NC equipment.
 Please purchase desired components from a Mitsubishi Electric dealership, etc.

PRODUCT LINES (C80 Series)

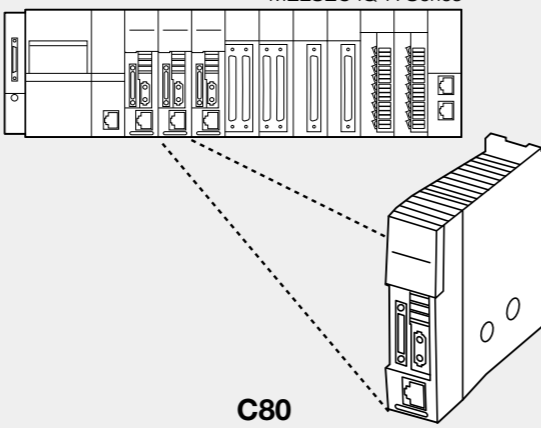
3 PRODUCT LINES (C80 Series)

3 PRODUCT LINES (C80 Series)

Ethernet



Display
•GOT2000 Series *1



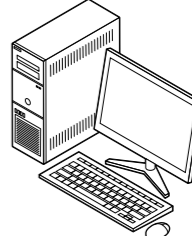
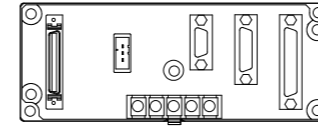
Control unit
MELSEC iQ-R Series
C80

Computer server
•Production control system

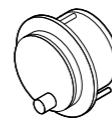
Field network
•CC-Link IE field
•FL-net
•PROFIBUS-DP
•PROFINET
•DeviceNet
•EtherNet/IP

Software for machine assembly and adjustment
•GX Works3
•GT Works3
•NC Analyzer2
•NC Configurator2
•NC Trainer2 plus

Software for operation and maintenance
•NC Explorer
•NC Monitor2
•Communication software for Mitsubishi Electric CNC (FCSB1224W000)
•iQ Care Remote4U
•NC Machine Tool Optimizer

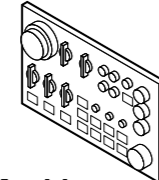
Signal splitter



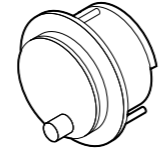
Manual pulse generator



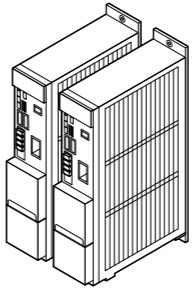
USB keyboard



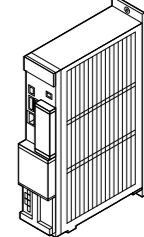
Machine operation panel
* Made by the machine tool builder



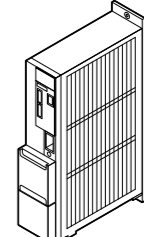
Manual pulse generator



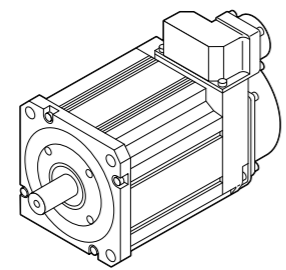
Drive unit *2
•MDS-E/EH Series
•MDS-EJ/EJH Series
•MDS-EM/EMH Series



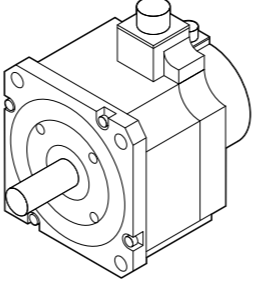
Power backup unit
•MDS-D/DH-PFU



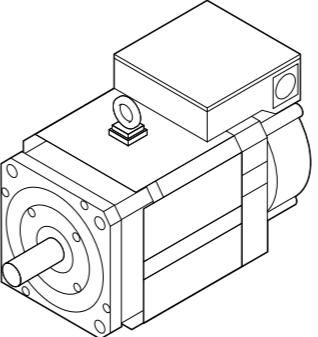
Power supply unit
•MDS-E/EH-CV
•MDS-EX-CVP



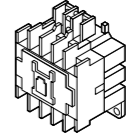
Tool spindle motor *2
•HG Series
•HG-JR Series



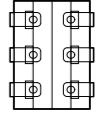
Servo motor *2
•HK Series
•HG Series
•LM-F Series
•TM-RB Series



Spindle motor *2
•SJ-D Series
•SJ-DG Series
•SJ-DL Series
•SJ-DN Series
•SJ-DJ Series
•SJ-DM Series
•SJ-BG Series



MC









AC reactor



AC power supply

*1 For target models, refer to CNC SYSTEM CONTROL UNIT/DISPLAY UNIT.
*2 Use Mitsubishi CNC's dedicated drive unit and motor.
Optional parts are not provided as accessories for NC equipment.
Please purchase desired components from a Mitsubishi Electric dealership, etc.







M800V/M80V/E80/C80 SERIES LINEUP

		Lathe system											
													
		(Display/Control unit separated-type)		(Display/Control unit integrated-type)		(Display/Control unit separated-type)		(Display/Control unit integrated-type)		(Display/Control unit integrated-type)		(Display/Control unit separated-type)	
Model name		M800VW Series		M800VS Series		M80VW Series		M80V Series		E80 Series		C80 Series	
		M850VW	M830VW	M850VS	M830VS	—		TypeA	TypeB	TypeA	TypeB	—	
Number of control axes	Max. number of axes (NC axes + Spindles + PLC axes)	32		32		13		13	9	8	6	16	
	Max. number of NC axes (in total for all the part systems)	32		32		10		10	7	5	4	16	
	Max. number of spindles	8		8		6		6	4	3	3	7	
	Max. number of PLC axes	8		8		6		6		3		8	
	Max. number of PLC indexing axes	8		8		4		4		1	1	8	
	Number of simultaneous contouring control axes	8	4	8	4	4		4		4		4	
	Max. number of NC axes in a part system	16		16		8		8	5	5	4	8	
Max. number of part systems (main + sub)	8		8		4		4	2	1		7		
Max. number of main part systems	8		8		2		2	2	1		7		
Max. number of sub part systems	8		8		2		2	1	—		2		
Control unit-side High-speed program server mode	Available		—		Available		—		—		—		
Display unit-side High-speed program server mode	Available		Available		Available		Available		Available		—		
FTP high-speed program server mode	—		—		—		—		—		Available		
Front-side SD card mode	—		—		Available		—		—		—		
Front-side USB memory mode	—		—		Available		—		—		—		
Least command increment	1nm		1nm		0.1µm		0.1µm	0.1µm	0.1µm		0.1µm		
Least control increment	—		—		1nm		—		—		—		
Number of tool offset sets	999		999		256		256	99	99		256		
Max. program capacity	2,000KB (5,120m) (1,000programs)		2,000KB (5,120m) (1,000programs)		500KB (1,280m) (1,000programs)		500KB (1,280m) (1,000programs)		230KB (600m) (400programs)		2,000KB (5,120m) (1,000programs)		
Max. PLC program capacity [K steps]	512		512		64		64	32	20		Available (MELSEC)		
Multi-project [number of PLC projects stored]	6		6		3		3	2	2		—		
Interactive cycle insertion	—		—		Available		—		—		—		
High-speed machining mode I maximum [kBPM]	33.7		33.7		33.7		33.7	—	—		33.7		
High-speed machining mode II maximum [kBPM]	168		168		101		67.5	—	—		67.5		
High-speed high-accuracy control I maximum [kBPM]	67.5		67.5		33.7		33.7	—	—		33.7		
High-speed high-accuracy control II maximum [kBPM]	168		168		101		67.5	—	—		67.5		
High-speed high-accuracy control III maximum [kBPM]	—		—		—		—		—		—		
High-accuracy control	—		—		Available		—		—		Available		
SSS control (Super Smooth Surface)	—		—		Available		—		(eSSS supported.)		—		
Tolerance control	—		—		Available		—		—		—		
CC-Link (Master/Local)	—		—		Available		—		—		Available (MELSEC)		
PROFIBUS-DP (Master)	—		—		Available		—		—		—		
MES interface library	—		—		Available		—		—		—		
Smart Safety observation	—		—		Available		—		—		Available		
Display unit ^(*)	19-type touchscreen, 19-type horizontal touchscreen, 15-type touchscreen, or 10.4-type touchscreen can be selected		19-type touchscreen, 15-type touchscreen or 10.4-type touchscreen can be selected		19-type touchscreen, 19-type horizontal touchscreen, 15-type touchscreen, 10.4-type touchscreen, or 8.4-type can be selected		19-type touchscreen, 15-type touchscreen, 10.4-type, touchscreen or 8.4-type can be selected		8.4-type		12.1-type touchscreen, 10.4-type touchscreen, 8.4-type touchscreen or 5.7-type touchscreen can be selected		
Windows®10 selection ^(*)	Available		—		Available		—		—		—		

* Maximum specifications including optional specifications are listed. Refer to the Specifications List for the details of each option.

(*) Rotary axis up to 1 axis

(*) For details, refer to "CNC SYSTEM CONTROL UNIT/DISPLAY UNIT" described later.

		Machining center system											
													
		(Display/Control unit separated-type)		(Display/Control unit integrated-type)		(Display/Control unit separated-type)		(Display/Control unit integrated-type)		(Display/Control unit integrated-type)		(Display/Control unit separated-type)	
Model name		M800VW Series		M800VS Series		M80VW Series		M80V Series		E80 Series		C80 Series	
		M850VW	M830VW	M850VS	M830VS	—		TypeA	TypeB	TypeA	TypeB	—	
Number of control axes	Max. number of axes (NC axes + Spindles + PLC axes)	32		32		11		11	9	6	4	16	
	Max. number of NC axes (in total for all the part systems)	16		16		9		9	5	5 ^(*)	3	16	
	Max. number of spindles	6		6		4		4	2	1		7	
	Max. number of PLC axes	8		8		6		6		2	0	8	
	Max. number of PLC indexing axes	8		8		4		4		1	0	8	
	Number of simultaneous contouring control axes	8	4	8	4	4		4		4	3	4	
	Max. number of NC axes in a part system	16		16		8		8	5	5 ^(*)	3	8	
Max. number of part systems (main + sub)	2		2		2		2	1	1		7		
Max. number of main part systems	2		2		2		2	1	1		7		
Max. number of sub part systems	2		2		—		—	—	—		—		
Control unit-side High-speed program server mode	Available		—		Available		—		—		—		
Display unit-side High-speed program server mode	Available		Available		Available		Available		Available		—		
FTP high-speed program server mode	—		—		—		—		—		Available		
Front-side SD card mode	—		—		Available		—		—		—		
Front-side USB memory mode	—		—		Available		—		—		—		
Least command increment	1nm		1nm		0.1µm		0.1µm	0.1µm	0.1µm	1µm	0.1µm		
Least control increment	—		—		1nm		—		—		—		
Number of tool offset sets	999		999		400		400	400	200	99	400		
Max. program capacity	2,000KB (5,120m) (1,000programs)		2,000KB (5,120m) (1,000programs)		500KB (1,280m) (1,000programs)		500KB (1,280m) (1,000programs)		500KB (1,280m) (1,000programs)		2,000KB (5,120m) (1,000programs)		
Max. PLC program capacity [K steps]	512		512		64		64	32	20		Available (MELSEC)		
Multi-project [number of PLC projects stored]	6		6		3		3	2	2		—		
Interactive cycle insertion	—		—		Available		—		—		—		
High-speed machining mode I maximum [kBPM]	33.7		33.7		33.7		33.7	16.8	—		33.7		
High-speed machining mode II maximum [kBPM]	168		168		101		101		—		67.5		
High-speed high-accuracy control I maximum [kBPM]	67.5		67.5		33.7		33.7		—		33.7		
High-speed high-accuracy control II maximum [kBPM]	168		168		101		101		—		67.5		
High-speed high-accuracy control III maximum [kBPM]	—		—		202		202	—	—		135		
High-accuracy control	—		—		Available		—		—		Available		
SSS control (Super Smooth Surface)	—		—		Available		—		(eSSS supported.)		—		
Tolerance control	—		—		Available		—		—		Available		
CC-Link (Master/Local)	—		—		Available		—		—		Available (MELSEC)		
PROFIBUS-DP (Master)	—		—		Available		—		—		—		
MES interface library	—		—		Available		—		—		—		
Smart Safety observation	—		—		Available		—		—		Available		
Display unit ^(*)	19-type touchscreen, 19-type horizontal touchscreen, 15-type touchscreen, or 10.4-type touchscreen can be selected		19-type touchscreen, 15-type touchscreen or 10.4-type touchscreen can be selected		19-type touchscreen, 19-type horizontal touchscreen, 15-type touchscreen, 10.4-type touchscreen, or 8.4-type can be selected		19-type touchscreen, 15-type touchscreen, 10.4-type, touchscreen or 8.4-type can be selected		8.4-type		12.1-type touchscreen, 10.4-type touchscreen, 8.4-type touchscreen or 5.7-type touchscreen can be selected		
Windows®10 selection ^(*)	Available		—		Available		—		—		—		

* Maximum specifications including optional specifications are listed. Refer to the Specifications List for the details of each option.

(*) Rotary axis up to 1 axis

(*) For details, refer to "CNC SYSTEM CONTROL UNIT/DISPLAY UNIT" described later.

CNC SYSTEM M800V/M80V/E80/C80 SERIES SPECIFICATIONS LIST

○Standard △Optional □Selection

[M800V/M80V]S/W ver.A8 [E80]S/W ver.FB [C80]S/W ver.BE

class	Lathe system										C80	General explanation
	M800VW		M800VS		M80VW	M80V		E80		C80		
	M850VW	M830VW	M850VS	M830VS	—	M80V TypeA	M80V TypeB	E80 TypeA	E80 TypeB			
1 Control axes												
1 Control axes												
1	Number of basic control axes (NC axes)	○2	○2	○2	○2	○2	○2	○2	○2	○2	○2	
2	Max. number of axes (NC axes + Spindles + PLC axes)	○16 △32	○16 △32	○16 △32	○16 △32	13	13	9	8	6	16	
1	Max. number of NC axes (in total for all the part systems)	○16 △32	○16 △32	○16 △32	○16 △32	10	10	7	5	4	16	
2	Max. number of spindles	8	8	8	8	6	6	4	3	3	7	
3	Max. number of PLC axes	8	8	8	8	6	6	6	3	3	8	
4	Max. number of PLC indexing axes	8	8	8	8	4	4	4	1	1	8	
5	Number of simultaneous contouring control axes	8	4	8	4	4	4	4	4	4	4	
6	Max. number of NC axes in a part system	○8 △12 △16	○8 △12 △16	○8 △12 △16	○8 △12 △16	8	8	5	5	4	8	
7	Axis name extension	○	○	○	○	○	○	○	—	—	○	
2 Control part system												
1	Standard number of part systems	1	1	1	1	1	1	1	1	1	1	
2	Max. number of part systems (main + sub)	○4 △8	○4 △8	○4 △8	○4 △8	○4	○4	○2	○1	○1	○7	
1	Max. number of main part systems	○4 △8	○4 △8	○4 △8	○4 △8	○2	○2	○2	○1	○1	○7	
2	Max. number of sub part systems	○4 △8	○4 △8	○4 △8	○4 △8	○2	○2	○1	—	—	○2	
3 Control axes and operation modes												
1	Tape (RS-232C input) mode	○	○	○	○	○	○	○	○	○	○	—
2	Memory mode	○	○	○	○	○	○	○	○	○	○	○
3	MDI mode	○	○	○	○	○	○	○	○	○	○	○
4	High-speed program server mode											
1	Control unit-side High-speed program server mode	△	△	—	—	○	—	—	—	—	—	—
2	Display unit-side High-speed program server mode	△	△	△	△	○	○	○	○	○	—	—
3	FTP high-speed program server mode	—	—	—	—	—	—	—	—	—	△	
5	Front-side SD card mode	○	○	○	○	○	○	○	○	○	○	—
6	Front-side USB memory mode	○	○	○	○	○	○	○	○	○	○	—
2 Input command												
1 Data increment												
1	Least command increment											
	Least command increment 1μm	○	○	○	○	○	○	○	○	○	○	○
	Least command increment 0.1μm	○	○	○	○	○	○	○	○	○	○	○
	Least command increment 0.01μm (10nm)	△	△	△	△	—	—	—	—	—	—	—
	Least command increment 0.001μm (1nm)	△	△	△	△	—	—	—	—	—	—	—
2	Least control increment											
	Least control increment 0.01μm (10nm)	○	○	○	○	○	○	○	○	○	○	○
	Least control increment 0.001μm (1nm)	○	○	○	○	○	○	○	○	○	○	○
3	Indexing increment	○	○	○	○	○	○	○	○	○	○	○
2 Unit system												
1	Inch / Metric changeover	○	○	○	○	○	○	○	○	○	○	○
2	Input command increment tenfold	—	—	—	—	—	—	—	—	—	—	—
3 Program format												
1 Program format												
1	Format 1 for Lathe (G Code List 2, 3)	○	○	○	○	○	○	○	○	○	○	○
2	Format 2 for Lathe (G Code List 4, 5)	○	○	○	○	○	○	○	○	○	○	○
3	Special format for lathe (G Code List 6, 7)	○	○	○	○	○	○	○	○	○	○	○
4	Format 1 for Machining center	—	—	—	—	—	—	—	—	—	—	—
5	Format 2 for Machining center (M2 format)	—	—	—	—	—	—	—	—	—	—	—
6	MITSUBISHI CNC special format	○	○	○	○	○	○	○	○	○	○	○
2	Program format switch	△	△	△	△	—	—	—	—	—	—	—
4 Command value												
1	Decimal point input I, II	○	○	○	○	○	○	○	○	○	○	○

class	Machining center system										C80	General explanation
	M800VW		M800VS		M80VW	M80V		E80		C80		
	M850VW	M830VW	M850VS	M830VS	—	M80V TypeA	M80V TypeB	E80 TypeA	E80 TypeB			
1 Control axes												
1 Control axes												
1	Number of basic control axes (NC axes)	○3	○3	○3	○3	○3	○3	○3	○3	○3	○3	
2	Max. number of axes (NC axes + Spindles + PLC axes)	○16 △32	○16 △32	○16 △32	○16 △32	11	11	9	6	4	16	
1	Max. number of NC axes (in total for all the part systems)	○16 △32	○16 △32	○16 △32	○16 △32	9	9	5	5*	3	16	
2	Max. number of spindles	6	6	6	6	4	4	2	1	1	7	
3	Max. number of PLC axes	8	8	8	8	6	6	6	2	0	8	
4	Max. number of PLC indexing axes	8	8	8	8	4	4	4	1	0	8	
5	Number of simultaneous interpolation control axes	8	4	8	4	4	4	4	4	3	4	
6	Max. number of NC axes possible to control in the same part system.	○8 △12 △16	○8 △12 △16	○8 △12 △16	○8 △12 △16	8	8	5	5*	3	8	
7	Axis name extension	○	○	○	○	○	○	○	—	—	○	
2 Control part system												
1	Standard number of part systems	1	1	1	1	1	1	1	1	1	1	
2	Max. number of part systems (main + sub)	○2 △3*	○2 △3*	○2 △3*	○2 △3*	○2	○2	○1	○1	○1	○7	
1	Max. number of main part systems	○2 △3*	○2 △3*	○2 △3*	○2 △3*	○2	○2	○1	○1	○1	○7	
2	Max. number of sub part systems	○2 △8	○2 △8	○2 △8	○2 △8	○2	○2	○1	—	—	○2	
3 Control axes and operation modes												
1	Tape (RS-232C input) mode	○	○	○	○	○	○	○	○	○	○	—
2	Memory mode	○	○	○	○	○	○	○	○	○	○	○
3	MDI mode	○	○	○	○	○	○	○	○	○	○	○
4	High-speed program server mode											
1	Control unit-side High-speed program server mode	△	△	—	—	○	—	—	—	—	—	—
2	Display unit-side High-speed program server mode	△	△	△	△	○	○	○	○	○	—	—
3	FTP high-speed program server mode	—	—	—	—	—	—	—	—	—	△	
5	Front-side SD card mode	○	○	○	○	○	○	○	○	○	○	—
6	Front-side USB memory mode	○	○	○	○	○	○	○	○	○	○	—
2 Input command												
1 Data increment												
1	Least command increment											
	Least command increment 1μm	○	○	○	○	○	○	○	○	○	○	○
	Least command increment 0.1μm	○	○	○	○	○	○	○	○	○	○	○
	Least command increment 0.01μm (10nm)	△	△	△	△	—	—	—	—	—	—	—
	Least command increment 0.001μm (1nm)	△	△	△	△	—	—	—	—	—	—	—
2	Least control increment											
	Least control increment 0.01μm (10nm)	○	○	○	○	○	○	○	○	○	○	○
	Least control increment 0.001μm (1nm)	○	○	○	○	○	○	○	○	○	○	○
3	Indexing increment	○	○	○	○	○	○	○	○	○	○	○
2 Unit system												
1	Inch / Metric changeover	○	○	○	○	○	○	○	○	○	○	○
2	Input command increment tenfold	—	—	—	—	—	—	—	—	—	—	—
3 Program format												
1 Program format												
1	Format 1 for Lathe (G Code List 2, 3)	○	○	○	○	○	○	○	○	○	○	○
2	Format 2 for Lathe (G Code List 4, 5)	○	○	○	○	○	○	○	○	○	○	○
3	Special format for lathe (G Code List 6, 7)	○	○	○	○	○	○	○	○	○	○	○
4	Format 1 for Machining center	—	—	—	—	—	—	—	—	—	—	—
5	Format 2 for Machining center (M2 format)	—	—	—	—	—	—	—	—	—	—	—
6	MITSUBISHI CNC special format	○	○	○	○	○	○	○	○	○	○	○
2	Program format switch	△	△	△	△	—	—	—	—	—	—	—
4 Command value												
1	Decimal point input I, II	○	○	○	○	○	○	○	○	○	○	○

5 CNC SYSTEM

5 CNC SYSTEM

M800V/M80V/E80/C80 SERIES SPECIFICATIONS LIST

M800V/M80V/E80/C80 SERIES SPECIFICATIONS LIST

○Standard △Optional □Selection

[M800V/M80V]S/W ver.A8 [E80]S/W ver.FB [C80]S/W ver.BE

class	Lathe system																				
	M800VW		M800VS		M80VW	M80V		E80		C80											
	M850VW	M830VW	M850VS	M830VS	—	M80V TypeA	M80V TypeB	E80 TypeA	E80 TypeB	—											
2	Absolute / Incremental command										○	○	○	○	○	○	○	○	○	○	○
3	Diameter / Radius designation										○	○	○	○	○	○	○	○	○	○	○
4	Diameter / Radius designation switch										○	○	○	○	○	○	○	○	○	○	○
3 Positioning / Interpolation																					
1 Positioning																					
1	Positioning										○	○	○	○	○	○	○	○	○	○	
2	Unidirectional positioning										—	—	—	—	—	—	—	—	—	—	
2 Linear / Circular interpolation																					
1	Linear interpolation										○	○	○	○	○	○	○	○	○	○	
2	Circular interpolation (Center / Radius designation)										○	○	○	○	○	○	○	○	○	○	
3	Helical interpolation										○	○	○	○	○	○	○	○	○	○	
4	Spiral / Conical interpolation										—	—	—	—	—	—	—	—	—	—	
5	Cylindrical interpolation										△	△	△	△	○	○	○	○	○	△	
6	Polar coordinate interpolation										△	△	△	△	○	○	○	○	○	△	
7	Milling interpolation										△	△	△	△	○	○	○	○	○	△	
8	Hypothetical axis interpolation										—	—	—	—	—	—	—	—	—	—	
3 Curve interpolation																					
1	Involute interpolation										—	—	—	—	—	—	—	—	—	—	
2	Exponential interpolation										△	△	△	△	—	—	—	—	—	—	
3	Spline interpolation (G05.1Q2 / G61.2)										—	—	—	—	—	—	—	—	—	—	
4	NURBS interpolation										—	—	—	—	—	—	—	—	—	—	
5	3-dimensional circular interpolation										—	—	—	—	—	—	—	—	—	—	
6	Spline interpolation2 (G61.4)										—	—	—	—	—	—	—	—	—	—	
4 Feed																					
1 Feedrate																					
1	Rapid traverse rate (m / min)										1000	1000	1000	1000	1000	1000	1000	1000	1000	1000	
2	Cutting feedrate (m / min)										1000	1000	1000	1000	1000	1000	1000	1000	1000	1000	
3	Manual feedrate (m / min)										1000	1000	1000	1000	1000	1000	1000	1000	1000	1000	
4	Rotary axis command speed tenfold										○	○	○	○	○	○	○	○	○	○	
2 Feedrate input methods																					
1	Feed per minute (Asynchronous feed)										○	○	○	○	○	○	○	○	○	○	
2	Feed per revolution (Synchronous feed)										○	○	○	○	○	○	○	○	○	○	
3	Inverse time feed										—	—	—	—	—	—	—	—	—	—	
4	F 1-digit feed										○	○	○	○	○	○	○	○	○	○	
5	Manual speed command										△	△	△	△	○	○	○	○	○	△	
7	G00 feedrate designation (.F command)										△	△	△	△	○	○	—	—	—	△	
8	Selection of axis (axes) for feedrate command										—	—	—	—	—	—	—	—	—	—	

class	Machining center system										General explanation	
	M800VW		M800VS		M80VW	M80V		E80		C80		
	M850VW	M830VW	M850VS	M830VS	—	M80V TypeA	M80V TypeB	E80 TypeA	E80 TypeB	—		
○	○	○	○	○	○	○	○	○	○	○	○	When axis coordinate data are issued in a machining program command, either the incremental command method, which commands a relative distance from the current position, or the absolute command method, which commands a movement to a designated position in a predetermined coordinate system, can be selected.
—	—	—	—	—	—	—	—	—	—	—	—	The designation method of an axis command value can be changed over with parameters between the radius designation or diameter designation. When the diameter designation is selected, the scale of the length of the selected axis is doubled. (moves only half (1/2) the commanded amount)
○	○	○	○	○	—	—	—	—	—	—	—	Diameter/Radius designation switch function enables you to switch the diameter/radius designation of each axis using a G code at your desired timing.
○	○	○	○	○	○	○	○	○	○	○	○	This function carries out positioning at high speed using a rapid traverse rate with the travel command value given in the program.
△	△	△	△	○	○	○	○	○	○	△	△	The G code command always moves the tool to the final position in the direction determined by parameters.
○	○	○	○	○	○	○	○	○	○	○	○	Linear interpolation is a function that moves a tool linearly by the travel command value supplied in the program at the cutting feedrate designated by the F code.
○	○	○	○	○	○	○	○	○	○	○	○	This function moves a tool along a circular arc on the plane selected by the travel command value supplied in the program.
○	○	○	○	○	○	○	○	○	○	○	○	With this function, any two of three axes intersecting orthogonally are made to perform circular interpolation while the third axis performs linear interpolation in synchronization with the arc rotation. This control can be exercised to machine large-diameter screws or 3-dimensional cams.
△	△	△	△	○	○	—	—	—	—	△	△	This function interpolates arcs where the start point and end point are not on the circumference of the same circle into spiral shapes.
△	△	△	△	○	○	○	○	—	—	△	△	This function transfers the shape that is on the cylinder's side surface (shape yielded by the cylindrical coordinate system) onto a plane, and when the transferred shape is designated in the program in the form of plane coordinates, the shape is converted into a movement along the linear and rotary axes of the original cylinder coordinates, and the contours are controlled by means of the CNC unit during machining.
△	△	△	△	—	—	—	—	—	—	△	△	This function converts the commands programmed by the orthogonal coordinate axes into linear axis movements (tool movements) and rotary axis movements (workpiece rotation) to control the contours. It is useful for cutting linear cutouts on the outside diameter of the workpiece, grinding cam shafts, etc.
—	—	—	—	—	—	—	—	—	—	—	—	When a lathe with linear axes (X, Z axes) and rotary axis (C axis) serving as the control axes is to perform milling at a workpiece end face or in the longitudinal direction of the workpiece, this function uses the hypothetical axis Y, which is at right angles to both the X and Z axes, to enable the milling shape to be programmed as the X, Y and Z orthogonal coordinate system commands.
△	△	△	△	—	—	—	—	—	—	—	—	This function sets one of the axes of the helical interpolation or spiral interpolation, including a linear axis, as a hypothetical axis (axis with no actual movement), and performs pulse distribution. This enables SIN or COS interpolation, which corresponds to the side view (view from the hypothetical axis) of the helical interpolation or spiral interpolation.
△	△	△	△	○	○	—	—	—	—	—	—	Tools can be moved along the involute curve. This function can also move a tool helically (spirally) while moving the tool along the involute curve. This can be used for scroll machining of involute gears or compressors, and smooth accurate machining can be performed without stepping of path from the command by fine segment or without acceleration/deceleration by segment length.
△	△	△	△	—	—	—	—	—	—	—	—	With this function, the rotary axis movement is changed into exponential functions vis-a-vis the linear axis movements.
△	△	△	△	○	○	—	—	—	—	△	△	This function automatically generates spline curves that smoothly pass through rows of dots designated by a line-segment machining program, and performs interpolation for the paths along the curves. This enables high-speed and high-accuracy machining.
△	△	△	△	—	—	—	—	—	—	—	—	This function realizes NURBS curve machining by commanding NURBS curve parameters (number of stages, weight, knot, control point). The path does not need to be replaced with line segments.
△	△	△	△	○	○	—	—	—	—	—	—	An arc shape determined by three points (start point, intermediate point, end point) designated in the three-dimensional space can be machined.
△	△	△	△	○	○	—	—	—	—	△	△	This function automatically generates curves that smoothly pass in the tolerance error range, and moves on the paths along the curves. This enables smooth machining.
1000	1000	1000	1000	1000	1000	1000	1000	1000	1000	1000	1000	The rapid traverse rate can be set independently for each axis using parameters.
1000	1000	1000	1000	1000	1000	1000	1000	1000	1000	1000	1000	This function specifies the feedrate of the cutting commands, and gives a command for a feed amount per spindle rotation or feed amount per minute.
1000	1000	1000	1000	1000	1000	1000	1000	1000	1000	1000	1000	The manual feedrates are designated as the feedrate in jog mode or incremental feed mode for manual operation and the feedrate during dry run ON for automatic operation. The manual feedrates are set using external signals.
○	○	○	○	○	○	○	○	○	○	○	○	This function multiplies the rotary axis' command speed by ten during initial inching.
○	○	○	○	○	○	○	○	○	○	○	○	By issuing a G command, the command from the block is issued directly with a numerical value following F as the feedrate per minute (mm / min or inch / min).
△	△	△	△	○	○	○	○	○	○	○	△	By issuing a G command, the command from the block is issued directly with a numerical value following F as the feedrate per spindle revolution (mm / rev or inch / rev).
△	△	△	△	○	○	—	—	—	—	△	△	This function can issue one block of machining time (inverse) commands in F commands, in place of normal feed commands. This enables the machining speed on the cutting surface to be constantly controlled and prevents the loss of accuracy, even if radius compensation is applied to the machining program that expresses the free curve surface with fine segment lines.
○	○	○	○	○	○	○	○	○	○	○	○	The feedrate registered by parameter in advance can be assigned by designating a single digit, following address F.
△	△	△	△	○	○	○	○	○	○	—	△	By enabling a manual speed command and selecting either handle feed or jog (manual) feed in the memory or MDI mode, automatic operation can be carried out at this feedrate.
△	△	△	△	○	○	—	—	—	—	—	△	Feedrates can be specified for G00 (positioning command). The speed of tool exchange, axis movement of gantry, etc. can be specified with the machining program so that the mechanical vibration can be suppressed.
△	△	△	△	—	—	—	—	—	—	—	—	This function enables designation of the feedrate of a specific axis (with the command F).

M800V/M80V/E80/C80 SERIES SPECIFICATIONS LIST

M800V/M80V/E80/C80 SERIES SPECIFICATIONS LIST

○Standard △Optional □Selection

[M800V/M80V]S/W ver.A8 [E80]S/W ver.FB [C80]S/W ver.BE

class	Lathe system									
	M800VW		M800VS		M80VW	M80V		E80		C80
	M850VW	M830VW	M850VS	M830VS	—	M80V TypeA	M80V TypeB	E80 TypeA	E80 TypeB	—
3 Override										
1	○	○	○	○	○	○	○	○	○	○
2	○	○	○	○	○	○	○	○	○	○
3	○	○	○	○	○	○	○	○	○	○
4	○	○	○	○	○	○	○	○	○	○
4 Acceleration / Deceleration										
1	○	○	○	○	○	○	○	○	○	○
2	○	○	○	○	○	○	○	○	○	○
3	—	—	—	—	—	—	—	—	—	—
5 Thread cutting										
1	○	○	○	○	○	○	○	○	○	○
2	○	○	○	○	○	○	○	○	○	○
3	○	○	○	○	○	○	○	○	○	○
1	○	○	○	○	○	○	○	○	○	○
2	△	△	△	△	○	○	○	○	○	△
3	△	△	△	△	○	○	○	○	○	△
4	—	—	—	—	—	—	—	—	—	△
5	○	○	○	○	○	○	○	○	○	—
4	○	○	○	○	○	○	○	○	○	○
6	△	△	△	△	○	○	—	—	—	—
8	○	○	○	○	○	○	○	—	—	○
10	△	△	△	△	○	○	—	—	—	△
11	△	△	△	△	○	○	—	—	—	△
12	△	△	△	△	○	○	—	—	—	△
13	○	○	○	○	○	○	○	○	○	—
6 Manual feed										
1	○	○	○	○	○	○	○	○	○	○
2	○	○	○	○	○	○	○	○	○	○
3	○	○	○	○	○	○	○	○	○	○
4	○	○	○	○	○	○	○	○	○	○
5	○	○	○	○	○	○	○	○	○	○
6	—	—	—	—	—	—	—	—	—	—
8	○	○	○	○	○	○	○	○	○	○
7 Dwell										
1	○	○	○	○	○	○	○	○	○	○
2	○	○	○	○	○	○	○	○	○	○
5 Program memory / editing										
1 Memory capacity										
1	—	—	—	—	—	—	—	○	○	—
230kB [600m] (400 programs)	○	○	○	○	○	○	○	—	—	○
500kB [1280m] (1000 programs)	△	△	△	△	—	—	—	—	—	△*
1000kB [2560m] (1000 programs)	△	△	△	△	—	—	—	—	—	△*
2000kB [5120m] (1000 programs)	△	△	△	△	—	—	—	—	—	△*
2 Extended Memory										
2000kB [5120m] (1000 programs)	○	○	○	○	○	○	○	—	—	—
2 Editing										
1	○	○	○	○	○	○	○	○	○	○
2	○	○	○	○	○	○	○	○	○	○

class	Machining center system										General explanation
	M800VW		M800VS		M80VW	M80V		E80		C80	
	M850VW	M830VW	M850VS	M830VS	—	M80V TypeA	M80V TypeB	E80 TypeA	E80 TypeB	—	
○											Override can be applied to manual or automatic rapid traverse using the external input signal.
○											Override can be applied to the feedrate command designated in the machining program using the external input signal.
○											Override can be further applied as a second-stage override to the feedrate after the cutting feed override has been applied.
○											By turning on the override cancel external signal, the override is automatically set to 100% for the cutting feed during the automatic operation mode (tape, memory and MDI).
○											Acceleration / deceleration is automatically applied to all commands. The acceleration / deceleration patterns can be selected using a parameter from the following types: linear acceleration/deceleration, soft acceleration / deceleration, exponent function acceleration / deceleration and exponent function acceleration / linear deceleration.
○											This function performs acceleration / deceleration at a constant-gradient during linear acceleration / deceleration by the rapid traverse command or the linear interpolation command. Compared to the method of acceleration / deceleration after interpolation, the constant-gradient acceleration / deceleration method enables improved cycle time.
△											This function carries out the acceleration / deceleration according to the torque characteristic of the motor in the rapid traverse mode during automatic operation. (This function is not available in manual operation.) The rapid traverse constant-gradient multi-step acceleration / deceleration method makes for improved cycle time because the positioning time is shortened by using the motor ability to the maximum.
△											Thread cutting with a designated lead can be performed. Inch threads are cut by designating the number of threads per inch with the E address.
—											By commanding the lead increment/decrement amount per thread rotation, variable lead thread cutting can be performed.
—											* With digital I/F spindle
○											This function performs tapping through synchronized control of the spindle and servo axis. This eliminates the need for floating taps and enables tapping to be conducted at a highly accurate tapping depth.
△											The load applied to the tool can be reduced by designating the depth of cut per pass and cutting the workpiece to the hole bottom with a multiple number of passes.
△											In the deep-hole tapping, the load applied to the tool can be reduced by designating the depth of cut per pass and cutting the workpiece to the hole bottom with a multiple number of passes.
—											This function enables two or more spindles to perform synchronous tapping at a time, thereby improving the tapping efficiency.
○											This function performs tapping using the analog-connected spindle. A dedicated inverter with position controller is required.
—											Chamfering can be enabled during the thread cutting cycle by using external signals.
—											Circular thread in which the lead is in longitudinal direction can be cut.
○											The servo axis directly detects and compensates the spindle's delay in tracking by using the communication between drive units over the high-speed optical servo network. By minimizing the synchronization error, the accuracy of the synchronous tapping is increased.
—											The function stores a thread groove position and compensates a start position of spindle thread cutting automatically so that the tool can pass along the memorized position of the thread groove at the thread cutting execution.
—											The thread cutting feedrate can be changed by changing the spindle override depending on rough cutting, finish machining, etc.
—											This function changes the cutting feedrate by the spindle override at the time of the thread cutting. The machining condition during thread cutting can be changed.
○											"Thread cutting time constant" can be applied to the acceleration/deceleration time constant of the NC control axis during the thread cutting.
○											The tool can be moved at the rapid traverse rate for each axis separately. Override can also be applied to the rapid traverse rate by means of the rapid traverse override function.
○											The tool can be moved in the axis direction (+ or -) in which the machine is to be moved at the per-minute feedrate.
○											The tool can be moved for the designated amount (incremental amount) in the axis direction each time the jog switch is pressed.
○											The machine can be moved in very small amounts by rotating the manual pulse generator.
○											Manual feedrate B is a function that sets an arbitrary axis feedrate from the user PLC separately from the manual feedrate.
△											When machining with the manual feedrate B function by moving the orthogonal axis while rotating the rotary table, the table rotation speed is controlled according to the distance from the rotation center.
○											The maximum speed for manual feed can be switched to the rapid traverse rate or the manual feed clamp speed.
○											The G code command temporarily stops machine movements and sets the machine in the stand-by status for the time designated in the program.
○											When G04 is commanded in the synchronous feed mode (G95), the machine waits for the spindle to rotate for the number of the revolutions designated.
—											Machining programs are stored in the NC memory, NC memory 2, data server or external memory devices (front SD card, built-in disk of display unit, etc.). To use the extended memory, select the device "NC memory 2". (Note) For a multi-part system, the specifications shown here is the total for all part systems.
—											* Up to 2000 programs for C80
○											This function enables program editing such as correction, deletion and addition.
○											This function enables one machining program to be created or edited while another program is running.

○Standard △Optional □Selection

[M800V/M80V]S/W ver.A8 [E80]S/W ver.FB [C80]S/W ver.BE

class	Lathe system										C80
	M800VW		M800VS		M80VW	M80V		E80		-	
	M850VW	M830VW	M850VS	M830VS	-	M80V TypeA	M80V TypeB	E80 TypeA	E80 TypeB		
3	○	○	○	○	○	○	○	○	○	○	○
5	○	○	○	○	○	○	○	○	○	○	○
6	△	△	△	△	○	○	○	○	○	○	△
7	△	△	△	△	○	○	○	○	○	○	○
6 Operation and display											
1 Structure of operation / display panel											
1	○	○	○	○	○	○	○	○	○	○	○
2	○	○	○	○	○	○	○	○	○	○	○
3	○	○	○	○	○	○	○	○	○	○	○
4	○	○	○	○	○	○	○	○	○	○	○
8	○	○	○	○	○	○	○	○	○	○	○
9	○	○	○	○	○	○	○	○	○	○	○
10	○	○	○	○	○	○	○	○	○	○	○
11	○	○	○	○	○	○	○	○	○	○	○
2 Operation methods and functions											
1	○	○	○	○	○	○	○	○	○	○	○
2	○	○	○	○	○	○	○	○	○	○	○
3	○	○	○	○	○	○	○	○	○	○	○
4	○	○	○	○	○	○	○	○	○	○	○
5	○	○	○	○	○	○	○	○	○	○	○
6	○	○	○	○	○	○	○	○	○	○	○
7	○	○	○	○	○	○	○	○	○	○	○
8	○	○	○	○	○	○	○	○	○	○	○
9	○	○	○	○	○	○	○	○	○	○	○
10	○	○	○	○	○	○	○	○	○	○	○
11	○	○	○	○	○	○	○	○	○	○	○
12	△	△	△	△	○	○	○	○	○	○	○
14	○	○	○	○	○	○	○	○	○	○	○
15	○	○	○	○	○	○	○	○	○	○	○
16	○	○	○	○	○	○	○	○	○	○	○
17	○	○	○	○	○	○	○	○	○	○	○
18	○	○	○	○	○	○	○	○	○	○	○
19	○	○	○	○	○	○	○	○	○	○	○
20	○	○	○	○	○	○	○	○	○	○	○
21	○	○	○	○	○	○	○	○	○	○	○
3 Display methods and contents											
1	○	○	○	○	○	○	○	○	○	○	○
2	○	○	○	○	○	○	○	○	○	○	○
3	○	○	○	○	○	○	○	○	○	○	○
4	○	○	○	○	○	○	○	○	○	○	○
5	○	○	○	○	○	○	○	○	○	○	○
6	○	○	○	○	○	○	○	○	○	○	○
7	○	○	○	○	○	○	○	○	○	○	○
8	○	○	○	○	○	○	○	○	○	○	○
9	○	○	○	○	○	○	○	○	○	○	○

class	Machining center system										C80
	M800VW		M800VS		M80VW	M80V		E80		-	
	M850VW	M830VW	M850VS	M830VS	-	M80V TypeA	M80V TypeB	E80 TypeA	E80 TypeB		
3	○	○	○	○	○	○	○	○	○	○	○
5	○	○	○	○	○	○	○	○	○	○	○
6	△	△	△	△	○	○	○	○	○	○	△
7	△	△	△	△	○	○	○	○	○	○	○
General explanation											
During automatic operation (including memory, tape, SD card or Data Server (DS) operation) or MDI operation, this function initiates single block stop and enables the next command to be corrected or changed. When a program error has occurred, the function enables the block in which the error occurred to be corrected and operation to be resumed without having to perform NC resetting.											
When an operation to open a machining program in the NC memory is performed on the edit screen, machining programs are opened in the right and left areas at the same time; the specified machining program of the displayed part system in the edit area being selected and the machining program of another part system with the same name in the unselected edit area.											
When the left and right edit areas are displaying the same named programs of different part systems stored on the NC memory, the display is switched to the synchronized display of the left- and right-side programs aligned using the timing synchronization symbols.											
This function shows the machining shape according to the command at the time the machining program is input. The machining shape can be confirmed easily without performing the automatic operation or the graphic check.											
The setting and display unit consists of the display unit and the keyboard unit. Refer to "HARDWARE" described later for the details. (Note) Only software keyboard is available and there is no hardware keyboard for the separated-type color touchscreen display (19-type LCD TFT/Windows8 or 19-type horizontal LCD TFT/Windows8).											
Select a GOT in its lineup. For details, refer to catalogs : "GOT2000 series".											
In addition to the method of directly inputting numeric data, a method to input the operation results using four basic arithmetic operators and function symbols can be used for specific data settings.											
When setting the data, the absolute/incremental setting can be selected from the menu.											
Using an Ethernet hub, one CNC module can be connected to and switched between up to eight displays. (Note that the max. number of connectable displays is limited depending on the machine operation panel specifications.)											
Using an Ethernet hub, one display can be connected to and switched between up to 64 CNC modules. (Note that the max. number of connectable displays is limited depending on the machine operation panel specifications.)											
The part system displayed on the screen can be changed.											
The menu list function displays the menu configuration of each screen as a list, making it possible to directly select the menu for other screens.											
The screen display changes when the screen mode selection switch is changed.											
The screen display changes with the signal from PLC.											
The screen saver function protects the display unit by turning the backlight OFF after the length of time specified in a parameter.											
This function displays the details of the parameters or the operation methods according to the state of the screen currently displayed.											
Guidance is displayed for the alarm currently issued.											
If an illegal input is found in the decimal point after the current cursor position, the cursor will move to that position, and a warning message will appear.											
This function allows to output a bitmap file of a screen displayed on the setting and display unit, to USB memory or SD card.											
This function allows to change the display order of the main menu in the "Monitor", "Setup" and "Edit" screens, and to change display / non-display selection.											
This function supports to restore the connection when the network connection fails between the display unit and the control unit.											
This function can set or change the user backed up area of the PLC device from the NC screen.											
This function can set or change the SRAM open area for machine tool builders from the NC screen.											
Menu items on the "Monitor", "Setup" and "Edit" screens (of Mitsubishi Electric standard format) can be moved within a screen or hidden as desired. The custom screen menu items added by machine tool builders, on the contrary, cannot be moved or hidden.											
This enables the operation of the external personal computer on the screen of NC with UltraVNC Server embedded.											
This function enables status confirmation and remote operation by displaying the NC screen display on the external computer/tablet type computer.											
The status of the program currently being executed is indicated.											
The clock is built in, and the date (year, month, date) and time (hour, minute, second) are displayed.											
Various information related to operation, such as the axis counter, speed display and MSTB command are displayed.											
Tool/workpiece related settings, user parameter settings, MDI editing, counter setting, manual numeric command issuing and pallet program registration (option) can be carried out.											
Machining program editing (addition, deletion, change) and checking, simple program creation, and machining program input / output can be carried out.											
The following operations related to the CNC diagnosis can be carried out. (1) Display the hardware and software configuration. (2) Display the CNC options. (3) Diagnose the PLC interface. (4) Display the drive unit information. (5) Display the alarm message / alarm history list etc.											
Parameter setting and display, and NC data input/output, etc., can be carried out.											
19-type vertical display unit has the expansion applications that display the machine status, software keyboard, etc. in the lower half of the screen in no linkage with the upper half.											
Home screen is able to display the machine status (including spindle loads and positions of linear and rotary axes) which can be monitored by an operator. Also, each application can be called by pressing the application button on the home screen.											

○Standard △Optional □Selection

[M800V/M80V]S/W ver.A8 [E80]S/W ver.FB [C80]S/W ver.BE

class	Lathe system										C80
	M800VW		M800VS		M80VW	M80V		E80			
	M850VW	M830VW	M850VS	M830VS	—	M80V TypeA	M80V TypeB	E80 TypeA	E80 TypeB	—	
4	Spindle override										○
5	Multiple-spindle control										
1	Multiple-spindle control I										○
2	Multiple-spindle control II										○
6	Spindle orientation										○
7	Spindle position control (Spindle / C axis control)										
1	Spindle position control (Spindle / C axis control)										○
2	C axis control during Spindle synchronization										△
8	Spindle synchronization										
1	Spindle synchronization I										○
2	Spindle synchronization II										○
3	Guide bushing spindle synchronization										△
9	Tool spindle synchronization I (Polygon)										
1	Tool spindle synchronization I A (Spindle-Spindle, Polygon)										△
2	Tool spindle synchronization I B (Spindle-Spindle, Polygon)										△
3	Tool spindle synchronization I C (Spindle-NC axis, Polygon)										△
10	Tool spindle synchronization II (Hobbing)										△
11	Spindle speed clamp										○
13	Spindle oscillation										△
14	Spindle superimposition control										△
15	Multiple spindle synchronization set control										○
16	Spindle speed fluctuation detection										△
17	Spindle motor temperature output to PLC										○
2	Tool functions (T)										
1	Tool functions (T command)										○
3	Miscellaneous functions (M)										
1	Miscellaneous functions										○
2	Multiple M codes in 1 block										○
3	M code independent output										○
4	Miscellaneous function finish										○
5	M code output during axis traveling										○
6	Miscellaneous function command high-speed output										○
4	2nd miscellaneous functions (B)										
1	2nd miscellaneous functions										○
2	2nd miscellaneous function name extension										○
9	Tool compensation										
1	Tool length / Tool position										
1	Tool length offset										○
2	Tool position offset										—
3	Tool compensation for additional axes										○
4	Tool position compensation (G43.7)										—

class	Machining center system										General explanation
	M800VW		M800VS		M80VW	M80V		E80			
	M850VW	M830VW	M850VS	M830VS	—	M80V TypeA	M80V TypeB	E80 TypeA	E80 TypeB	—	
	○	○	○	○	○	○	○	○	○	○	This function applies override to the rotation speed of a spindle or milling spindle assigned by the machining program command during automatic operation or by manual operation.
											Multiple-spindle control is a function that controls all the spindles except the first spindle (main spindle) in a machine tool equipped with the second, third and fourth spindles (sub-spindles) in addition to the first spindle.
	—	—	—	—	—	—	—	—	—	—	This function controls the spindles in a machine tool equipped with several spindles.
	○	○	○	○	○	○	○	—	—	○	With this function, commands to the spindle are performed with one S command, and a signal from the PLC determines which spindle is selected.
	○	○	○	○	○	○	○	○	○	○	This function stops the spindle rotation at a certain position.
	○	○	○	○	○	○	○	○	—	○	This function enables one spindle drive unit to be also used as the C axis (rotary axis) using an external signal.
	△	△	△	△	—	—	—	—	—	△	This control enables C axis positioning while a long workpiece is controlled by front and back spindles that are in synchronization with each other. Under this control, the machine can perform milling at the center of workpiece.
	○	○	○	○	○	○	○	—	—	○	In a machine with two or more spindles, this function controls the rotation speed and phase of one selected spindle (synchronized spindle) in synchronization with the rotation of the other selected spindle (basic spindle). There are two methods for giving commands: G code and PLC.
	○	○	○	○	○	○	○	—	—	○	This function is used for a machine with a spindle motor to rotate a guide bushing. It synchronizes the guide bushing spindle (G/B spindle) with the spindle motor used as a reference (basic spindle).
	△	△	△	△	○	○	○	—	—	—	In a machine containing a rotary tool axis and that has a spindle controlled as the workpiece axis, spindle-spindle polygon machining can be carried out by controlling the workpiece axis rotation in synchronization with the rotation of the rotary tool axis.
	△	△	△	△	○	○	○	—	—	—	In a machine containing a workpiece axis and that has a spindle controlled as the rotary tool axis, spindle-spindle polygon machining can be carried out by controlling the rotary tool axis rotation in synchronization with the rotation of the workpiece axis.
	△	△	△	△	○	○	—	—	—	—	This function controls the workpiece (spindle) and tool (NC axis) so that they synchronously rotate at the commanded ratio, allowing polygon machining.
	△	△	△	△	○	○	—	—	—	—	This function is to cut the gear with a hob (hob cutter).
	○	○	○	○	○	○	○	○	○	○	The spindle rotation speed is clamped between max. rotation speed and min. rotation speed.
	△	△	△	△	—	—	—	—	—	—	This function reciprocates (oscillates) the spindles with designated amplitude and frequency.
	—	—	—	—	—	—	—	—	—	—	Spindles are controlled by superimposing the rotation speed of one spindle on the rotary speed of other spindle. Use this function when the tool spindle needs to be rotated with the superimposed speed on the spindle rotation speed.
	—	—	—	—	—	—	—	—	—	○	By setting the parameter, spindle synchronization I, tool spindle synchronization I A/B (spindle-spindle, polygon), tool spindle synchronization II (hobbing) and spindle superimposition control can be executed simultaneously for multiple sets of spindles.
	△	△	△	△	○	○	○	—	—	—	When this function is valid and the spindle actual speed fluctuates for the commanded speed by the program due to external factors such as load fluctuation, the NC outputs the signal to PLC and the operation error occurs. PLC can take the necessary measure for the fluctuation of the spindle speed using the output signal from the NC.
	○	○	○	○	○	○	○	○	○	—	This function outputs spindle temperature to an R register assigned for each spindle.
	○	○	○	○	○	○	○	○	○	○	The tool function is commanded with an 8-digit number following the address T (T0 to T9999999) to specify the tool No. In the controller for a lathe, the tool compensation (tool length compensation, tool nose wear compensation) Nos. are also indicated.
	○	○	○	○	○	○	○	○	○	○	Miscellaneous function, or M function, is used to command auxiliary functions for NC, such as rotating the spindle forward / backward or stopping it, as well as turning the cooling oil ON/OFF.
	○	○	○	○	○	○	○	○	○	○	Multiple sets of M commands can be issued in a block.
	○	○	○	○	○	○	○	○	○	○	When the M00, M01, M02 or M30 command is issued during an automatic operation (tape, memory, MDI) or by a manual numerical command, the signal of this function is output. It is turned OFF after the miscellaneous function finishes or by the reset & rewind signal.
	○	○	○	○	○	○	○	○	○	○	These signals inform the CNC system that a miscellaneous function (M), spindle function (S), tool function (T) or 2nd miscellaneous function (A, B, C) has been issued, and that the PLC that has received it has completed the required operation. They include miscellaneous function finish signal 1 (FIN1) and miscellaneous function finish signal 2 (FIN2).
	—	—	—	—	—	—	—	—	—	—	This function controls the timing at which miscellaneous functions are output, and it outputs a miscellaneous function when the axis reaches the designated position movement.
	○	○	○	○	○	○	○	○	○	○	This function shortens a processing time per miscellaneous function.
	○	○	○	○	○	○	○	○	○	○	The code data and start signals are output when an 8-digit number is assigned following the address code A, B or C, whichever does not duplicate the axis name being used.
	○	○	○	○	○	○	○	○	○	○	The 2nd miscellaneous function name same as the additional axes (A, B, C) can be used by specifying the command address of the 2nd miscellaneous function with two characters.
	○	○	○	○	○	○	○	○	○	○	These commands make it possible to control the axis movement by offsetting the position of the end point of the travel command by the amount set in the tool compensation screen.
	○	○	○	○	○	○	○	○	○	○	This function uses commands to control the movement by changing the end point positions of the movement commands to positions which have been extended or reduced for a tool compensation amount.
	—	—	—	—	—	—	—	—	—	—	The tool compensation for a lathe is valid for the X and Z axes. If an additional axis (Y axis) is added, the tool compensation will be validated for the additional axis.
	△	△	△	△	—	—	—	—	—	—	The position compensation of a turning tool is executed when turning is performed in a machine of machining center system. * Option is "turning machining tool compensation".

5 CNC SYSTEM

5 CNC SYSTEM

○Standard △Optional □Selection

[M800V/M80V]S/W ver.A8 [E80]S/W ver.FB [C80]S/W ver.BE

class	Lathe system										
	M800VW		M800VS		M80VW	M80V		E80		C80	
	M850VW	M830VW	M850VS	M830VS	—	M80V TypeA	M80V TypeB	E80 TypeA	E80 TypeB	—	
2 Tool radius											
1	Tool radius compensation										—
2	3-dimensional tool radius compensation										△*
3	Tool nose radius compensation (G40 / 41 / 42)										○
4	Automatic decision of nose radius compensation direction (G46 / 40)										○
5	Tool radius compensation diameter designation										—
3 Tool offset amount											
1	Number of tool offset sets										
1	99 sets										○
2	128 sets										○
3	200 sets										—
4	256 sets										—
5	400 sets										△
6	999 sets										△
2	Offset memory										
1	Tool shape / wear offset amount										○
2	Compensation type selection by parameter										—
3	Number of tool offset sets allocation to part systems										○
10 Coordinate system											
1 Coordinate system type and setting											
1	Machine coordinate system										○
2	Coordinate system setting										○
3	Automatic coordinate system setting										○
4	Workpiece coordinate system selection										
1	Workpiece coordinate system selection (6 sets)										○
2	Extended workpiece coordinate system selection (48 sets) G54.1P1 to P48										△
3	Extended workpiece coordinate system selection (96 sets) G54.1P1 to P96										—
4	Extended workpiece coordinate system selection (300 sets) G54.1P1 to P300										—
5	External workpiece coordinate offset										○
6	Workpiece coordinate system preset (G92.1)										○
7	Local coordinate system										○
8	Coordinate system for rotary axis										○
9	Plane selection										○
10	Origin set / Origin cancel										○
11	Counter set										○
12	Workpiece position offset for rotary axis										—
13	Workpiece coordinate system shift										○

class	Machining center system										General explanation
	M800VW		M800VS		M80VW	M80V		E80		C80	
	M850VW	M830VW	M850VS	M830VS	—	M80V TypeA	M80V TypeB	E80 TypeA	E80 TypeB	—	
○	○	○	○	○	○	○	○	○	○	○	This function provides tool radius compensation. Through a combination of the G command and D address assignment, the actual tool center path is compensated either inside or outside the programmed path by an amount equivalent to the tool radius.
△	△	△	△	—	—	—	—	—	—	—	This command serves the function of compensating the spherical radius of ball end mills. It compensates the actual tool center path to be either more outside or inside the programmed path by an amount equivalent to the tool radius amount in accordance with the 3-dimensional vectors. *This function is available during program format switch for L system.
△	△	△	△	—	—	—	—	—	—	—	The tool nose of the specified tool No. is assumed to be a half circle of the radius R, and compensation is applied so that the half circle touches the programmed path. * Option for M system is "turning machining tool compensation".
—	—	—	—	—	—	—	—	—	—	—	The nose radius compensation direction is automatically determined from the tool tip and the specified movement vector.
○	○	○	○	○	○	○	○	○	○	○	Tool diameter designation handles the compensation amount as diameter value and compensates the amount set in the tool compensation amount screen when tool radius compensation (G41/G42) is commanded.
—	—	—	—	—	—	—	—	—	○	—	The number of configurable sets of tool data such as tool length compensation and tool radius compensation.
—	—	—	—	—	—	—	—	—	—	—	
○	○	○	○	—	—	—	—	○	—	○	
—	—	—	—	—	—	—	—	—	—	—	
△	△	△	△	○	○	○	—	—	—	△	
△	△	△	△	—	—	—	—	—	—	—	
○	○	○	○	○	○	○	○	○	○	○	This function registers the tool shape compensation and wear compensation amounts.
○	○	○	○	○	○	○	○	—	—	—	This function switches the tool compensation type to the tool compensation type III with the parameter. This function enables tool compensation for a turning tool by registering the tool compensation amount of the base axes IJK and tool tip point for a machining center system.
○	○	○	○	—	—	—	—	—	—	—	* Variable number of per-part-system tool offset sets The number of tool offset sets can be set per part system. There are two types of the allocation: "Arbitrary allocation" which allocates the number of tool offset sets to each part system arbitrarily and "Fixed allocation" which automatically allocates the number of tool offset sets to each part system equally, and the type can be selected using the parameter.
This shows the coordinate systems handled by the NC. The points that can be commanded with the movement command are points in the local coordinate system or machine coordinate system.											
○	○	○	○	○	○	○	○	○	○	○	The machine coordinate system is used to express the prescribed positions (such as the tool change position and stroke end position) that are specific to each machine, and it is automatically set immediately upon completion of the first dog-type reference position return after power ON, or immediately after power ON if the absolute position specifications apply.
○	○	○	○	○	○	○	○	○	○	○	The zero point position of the program coordinate system can be shifted to an arbitrary position by G92 command.
○	○	○	○	○	○	○	○	○	○	○	After turning the power ON, even without executing the reference position return, the basic machine coordinate system and the workpiece coordinate system are set automatically.
○	○	○	○	○	○	○	○	○	○	○	When multiple workpieces with the same shape are to be machined, these commands enable the same shape to be machined by executing a single machining program in the coordinate system of each workpiece.
△	△	△	△	○	○	○	○	○	—	△	In addition to the six workpiece coordinate systems G54 to G59, 48/96 sets of workpiece coordinate systems can be used by assigning G54.1Pn command.
△	△	△	△	—	—	—	—	—	—	—	
△	△	△	△	—	—	—	—	—	—	—	
○	○	○	○	○	○	○	○	○	○	○	An external workpiece coordinate offset that serves as a reference for all the workpiece coordinate systems is available outside the workpiece coordinates. By setting the external workpiece coordinate offset, the external workpiece coordinate system can be shifted, and all the workpiece coordinate systems can be simultaneously shifted by an amount equivalent to the offset.
△	△	△	△	—	—	—	—	—	—	—	This function presets the workpiece coordinate system, which has been shifted by the programmed command or the manual operation, as the workpiece coordinate system which has been offset by the programmed command (G92.1) from the machine zero point by an amount equivalent to the workpiece coordinate offset amount.
○	○	○	○	○	○	○	○	○	○	○	This function is for assigning another coordinate system in the workpiece coordinate system currently selected. This enables the workpiece coordinate system to be changed temporarily.
○	○	○	○	○	○	○	○	○	○	○	The rotary axis includes the rotating type (short-cut valid/invalid) or the linear type (workpiece coordinate position linear type, all coordinate position linear type). The workpiece coordinate position range is 0 to 359.999° for the rotating type, and 0 to 9999.999° for the linear type.
○	○	○	○	○	○	○	○	○	○	○	By issuing a G code, it is possible to specify the planes for the arc, tool radius compensation, coordinate rotation and other commands.
○	○	○	○	○	○	○	○	○	○	○	Origin set is a function that shifts the coordinate system so that the current position is set as the zero point in the workpiece coordinate system containing the workpiece coordinate system's offset value. Origin cancel is a function that manually cancels all deviated amounts, and shifts to the designated zero point with the workpiece offset.
○	○	○	○	○	○	○	○	○	○	○	The relative position counter can be set to an arbitrary value from the setting and display unit screen.
△	△	△	△	○	○	—	—	—	—	—	For a machine equipped with a table rotary axis, this function corrects installation errors between workpiece coordinate zero point and workpiece reference position.
—	—	—	—	—	—	—	—	—	—	—	When a workpiece coordinate system which is considered at programming is misaligned with an actual set workpiece coordinate or a workpiece coordinate set by automatic coordinate system setting, the measured workpiece coordinate system can be shifted to the workpiece coordinate system at the program creation so that the machining can be performed without modification of the machining program.

○Standard △Optional □Selection

[M800V/M80V]S/W ver.A8 [E80]S/W ver.FB [C80]S/W ver.BE

class	Lathe system									
	M800VW		M800VS		M80VW	M80V		E80		C80
	M850VW	M830VW	M850VS	M830VS	—	M80V TypeA	M80V TypeB	E80 TypeA	E80 TypeB	—
2 Return										
1	Manual reference position return	○	○	○	○	○	○	○	○	○
2	Automatic 1st reference position return	○	○	○	○	○	○	○	○	○
3	2nd, 3rd, 4th reference position return	○	○	○	○	○	○	○	○	○
4	Reference position check	○	○	○	○	○	○	○	○	○
5	Absolute position detection	○	○	○	○	○	○	○	○	○
6	Tool exchange position return	○	○	○	○	○	○	○	○	○
11 Operation support functions										
1 Program control										
1	Optional block skip	○	○	○	○	○	○	○	○	○
2	Optional block skip addition	○	○	○	○	○	○	—	—	○
3	Single block	○	○	○	○	○	○	○	○	○
2 Program test										
1	Dry run	○	○	○	○	○	○	○	○	○
2	Machine lock	○	○	○	○	○	○	○	○	○
3	Miscellaneous function lock	○	○	○	○	○	○	○	○	○
4	Graphic check									
1	Graphic check	○	○	○	○	○	○	○	○	—
2	3D solid program check	○	○	△	△	○	○	○	○	—
3	Graphic check rotary axis drawing	△	△	△	△	○	○	○	○	—
4	3D machining simulation	—	—	—	—	—	—	—	—	—
5	Graphic trace									
1	Graphic trace	○	○	○	○	○	○	○	○	—
2	Graphic trace rotary axis drawing	△	△	△	△	○	○	○	○	—
6	Machining time computation	○	○	○	○	○	○	○	○	—
7	Manual arbitrary reverse run (Program check operation)	△	△	△	△	○	○	○	○	△
8	High-speed simple program check	○	○	○	○	○	○	○	○	○
3 Program search / start / stop										
1	Program search	○	○	○	○	○	○	○	○	○
2	Sequence number search	○	○	○	○	○	○	○	○	○
3	Verification stop	○	○	○	○	○	○	—	—	○
4	Program restart	○	○	○	○	○	○	○	○	○
5	Automatic operation start	○	○	○	○	○	○	○	○	○
6	NC reset	○	○	○	○	○	○	○	○	○
7	Feed hold	○	○	○	○	○	○	○	○	○
8	Search & Start	○	○	○	○	○	○	○	○	○
10	Auto-restart	○	○	○	○	○	○	○	○	○
4 Interrupt operation										
1	Manual interruption	○	○	○	○	○	○	○	○	○
2	Automatic operation handle interruption	○	○	○	○	○	○	○	○	○
3	Manual absolute switch	○	○	○	○	○	○	○	○	○
4	Thread cutting cycle retract	○	○	○	○	○	○	—	—	○
5	Tapping retract	○	○	○	○	○	○	○	○	○
6	Manual numerical value command	○	○	○	○	○	○	○	○	○
7	Arbitrary reverse run	—	—	—	—	—	—	—	—	—

class	Machining center system										General explanation
	M800VW		M800VS		M80VW	M80V		E80		C80	
	M850VW	M830VW	M850VS	M830VS	—	M80V TypeA	M80V TypeB	E80 TypeA	E80 TypeB	—	
○											This function enables the tool to be returned manually to a position specific to the machine (reference position).
○											By commanding the G code during an automatic operation, the 1st reference position return is executed. If an intermediate point is commanded, a positioning is made to the point at rapid traverse rate, then each axis returns to its 1st reference position.
○											As in the automatic 1st reference position return, by commanding the G code during an automatic operation, an axis returns to a certain position specific to the machine (2nd/3rd/4th reference position).
○											By issuing a G code, a machining program where the tool is programmed to start off from the reference position and return to the reference position can be checked if the tool will return successfully to the reference position.
○											With this function, a battery stores the relation of the actual machine position and the machine coordinate kept in the CNC even during the power OFF, and an automatic operation is enabled without executing a reference position return.
○											By specifying the tool change position in a parameter and also assigning a tool change position return command in a machining program, the tool can be changed at the most appropriate position.
○											
○											When "f" (slash code) is programmed at the head of a block, and the optional block skip input signal from the external source is turned ON for automatic operation, the block with the "f" code is skipped.
○											When "n (n: 1 to 9)" is programmed at the head of a block, and the optional block skip input n signal from the external source is turned ON for automatic operation, the block with the "n" code is skipped.
○											The commands for automatic operation can be executed one block at a time (block stop) by turning ON the single block input signal.
○											F code feed commands for automatic operation can be switched to the manual feedrate data of the machine operation board by turning ON the dry run input signal.
○											When the machine lock input signal is set to ON, the CNC operations can be executed without actually moving the NC axis.
○											When the "External input" signal or "Miscellaneous function lock" signal is turned ON, the output signals of M, S, T, and B (2nd miscellaneous function) will not be output to the PLC. This is useful when checking only travel commands in a program check.
○											
○											This function traces the programmed movement path without executing an automatic operation. It enables three-dimensional drawing and also rotary axis drawing. 3D machining simulation enables the shape of the workpiece and the movement and interference of the tool during cutting to be checked. By using this function, machining programs can be checked before they are actually run.
○											
○											This function traces the machine tool's machine positions. It draws the movement path of an actual automatic or manual operation, and the tool tip movement path. The function also monitors the machine operations during machining. It enables the drawing of a rotary axis as well.
○											This function analyzes the machining program without moving the axis and calculates the approximate time required for machining.
○											The manual arbitrary reverse run can be performed by controlling the feedrate being in the automatic operation in the memory or MDI mode in proportion to the manual feedrate by jog or the rotation speed by manual handle.
○											This function checks whether a program error occurs by operating the machining program without the axes movements. The estimated machining time can be checked in time shorter than the actual execution time of the machining program.
○											
○											This function specifies the program No. of the program to run automatically and calls the program.
○											Blocks can be indexed by setting the program No., sequence No. and block No. of the program to run automatically.
○											This function enables the single block stop status to be established at any block without having to turn the SINGLE BLOCK switch ON.
○											When a machining program is to be resumed after suspended midway due to tool damage or for some other reason, this function searches the program and the block to resume and enables machining to be resumed from the block.
○											With the input of the automatic operation start signal (change from ON to OFF), automatic operation of the program that was found by an operation search is started by the controller (or the halted program is restarted).
○											This function enables the controller to be reset.
○											When the feed hold signal is set to ON during automatic operation, the machine feed is immediately decelerated and stopped.
○											If the "Search & Start" signal is input when the memory mode is selected, the designated machining program is searched and executed from the beginning. A machining program is restarted automatically at the completion of the machining program execution.
○											
○											Manual interrupt is a function that enables manual operations to be performed during automatic operation.
○											The handle command can interrupt and be superimposed onto a command without suspending automatic operation to move the machine by rotating the manual pulse generator during automatic operation.
○											The program absolute positions are updated by an amount equivalent to the distance by which the tool is moved manually when the manual absolute switch signal is turned ON.
○											This function suspends the thread cutting cycle if a feed hold signal has been input during thread cutting cycle.
○											If tapping is interrupted by a reset or emergency stop signal that is input during tapping and the tap is left engaged inside the workpiece, the tap tool engaged inside the workpiece can be rotated in the reverse direction so that it will be disengaged by inputting the tap retract signal.
○											On the screen of the setting and display unit, the M, S and T (and B when 2nd miscellaneous function is valid) commands can be executed by setting numerical values and pressing [INPUT].
○											This function allows a program to run the executed blocks backward after the block stop in the automatic operation.

○Standard △Optional □Selection

[M800V/M80V]S/W ver.A8 [E80]S/W ver.FB [C80]S/W ver.BE

class	Lathe system										General explanation
	M800VW		M800VS		M80VW	M80V		E80		C80	
	M850VW	M830VW	M850VS	M830VS	—	M80V TypeA	M80V TypeB	E80 TypeA	E80 TypeB	—	
2	Coordinate rotation by parameter										—
3	3-dimensional coordinate conversion										△
6	Dimension input										
1	Corner chamfering / Corner R										△
2	Linear angle command										△
3	Geometric command										○
4	Polar coordinate command										—
7	Axis control										
1	Chopping										
1	Chopping										△
2	Normal line control										—
3	Circular cutting										—
4	Vibration cutting control										□
8	Multi-part system control										
1	Timing synchronization between part systems										○
2	Start point designation timing synchronization										○
3	Mixed control										
1	Mixed control (cross axis control)										△
2	Arbitrary axis exchange control										△
4	Control axis superimposition										
1	Control axis superimposition										△
2	Arbitrary axis superimposition control										△
5	Control axis synchronization between part systems										△
6	Balance cut										○
7	Common memory for part systems										○
8	Multi-part system simultaneous thread cutting										
1	Two-part system simultaneous thread cutting										△
2	Multi-part system simultaneous thread cutting										△
9	Multi-part system program management										○
10	Synchronization between part systems										
1	Single block between part systems										△
2	Dwell / Miscellaneous function time override										△
3	Synchronization between part systems OFF										△

class	Machining center system										General explanation
	M800VW		M800VS		M80VW	M80V		E80		C80	
	M850VW	M830VW	M850VS	M830VS	—	M80V TypeA	M80V TypeB	E80 TypeA	E80 TypeB	—	
△	△	△	△	—	—	—	—	—	—	—	If a deviation occurs between the workpiece alignment line and the machine coordinate system's coordinate axis when the workpiece is mounted, the machine can be controlled to rotate the machining program coordinates according to the workpiece alignment line deviation.
△	△	△	△	○	○	—	—	—	—	△	With the 3-dimensional coordinate conversion function, a new coordinate system can be defined by rotating and moving in parallel the zero point in respect to the X, Y and Z axes of the currently set workpiece coordinate system.
△	△	△	△	○	○	○	○	○	○	△	This function executes corner processing by automatically inserting a straight line or arc in the commanded amount between two consecutive travel blocks.
△	△	△	△	○	○	○	○	—	—	△	The end point coordinates are automatically calculated by assigning one element (one component of the selected plane) of the end point coordinates and the linear angle.
△	△	△	△	○	○	○	○	—	—	—	When it is difficult to find the intersection point of two straight lines with a continuous linear interpolation command, this point can be calculated automatically by programming the command for the angle of the straight lines.
△	△	△	△	○	○	○	—	—	—	△	With this function, the end point position is commanded with the radius and angle.
△	△	△	△	○	○	○	—	—	—	△	This function continuously raises and lowers the chopping axis independently of program operation. During the grinding operation, chopping can produce a better surface accuracy than using abrasive grain.
○	○	○	○	○	○	—	—	—	—	○	This function controls the swiveling of the C axis (rotary axis) so that the tool is always pointing in the normal line direction for the X and Y axes movement commands during program operation.
○	○	○	○	○	○	○	○	○	○	○	In circular cutting, a system of cutting steps are performed; first, the tool departs from the center of the circle, and by cutting along the inside circumference of the circle, it draws a complete circle, then it returns to the center of the circle.
—	—	—	—	—	—	—	—	—	—	—	While cutting machining is performed, the chips can be dispersed by applying vibration in synchronization with the spindle rotation to the feed axis so that an air-shot area is made. Difficult-to-cut workpieces such as stainless steel can be machined easily and at high speed. In addition, this function can reduce the heat generated by machining and extend tool life. * A vibration cutting expansion unit is required. * Only one axis per programmed part system vibrates. Even for a cutting command involving two or more axes (e.g. taper machining), only one axis selected vibrates.
○	○	○	○	○	○	—	—	—	—	○	The multi-axis, multi-part system compound control CNC system can simultaneously run multiple machining programs independently. This function is used in cases when, at some particular point during operation, the operations of different part systems are to be synchronized or in cases when the operation of only one part system is required.
○	○	○	○	○	○	—	—	—	—	○	The synchronizing point can be placed in the middle of a block by designating the start point.
—	—	—	—	—	—	—	—	—	—	—	This function enables any axis to be replaced with another axis between part systems. There are two methods for giving commands: G code and PLC.
△	△	△	△	○	○	—	—	—	—	△	An arbitrary axis can be exchanged freely across part systems in the multiple part systems. The machining can be free by exchanging an axis which can be commanded for machining programs in each part system.
—	—	—	—	—	—	—	—	—	—	—	This function enables to superimpose on and control an axis in a part system with an axis in another part system. There are two methods for giving commands: G code and PLC.
—	—	—	—	—	—	—	—	—	—	—	The arbitrary control axis in other part system can be moved by superimposing on the movement command for the arbitrary control axis in own part system.
—	—	—	—	—	—	—	—	—	—	—	Synchronization control enables an arbitrary control axis in another part system to move in synchronization with the movement command assigned to an arbitrary control axis. There are two methods for giving commands: G code and PLC.
—	—	—	—	—	—	—	—	—	—	—	The deflection can be minimized by holding tools simultaneously from both sides of the workpiece and using them in synchronization to machine the workpiece (balance cutting). In addition, since the workpiece is machined by two tools, the machining time is reduced.
—	—	—	—	—	—	—	—	—	—	—	For a machine with multiple part systems, the common variables and tool compensation memory which exist for each part system can be made common to all part systems by setting the parameters.
—	—	—	—	—	—	—	—	—	—	—	This function performs synchronous thread cutting for the same spindle using the 1st and 2nd part systems.
—	—	—	—	—	—	—	—	—	—	—	This function performs thread cutting for the same spindle in the different part system. This has two commands; the command (G76.1) for simultaneously cutting threads in multiple places, which is known as "multi-part system simultaneous thread cutting cycle I", and the command (G76.2) for simultaneously cutting a thread by two part systems, which is known as "two-part system simultaneous thread cutting cycle II".
○	○	○	○	○	○	—	—	—	—	○	Separate programs, used in each part system, can be managed under a common name in a multi-part system.
—	—	—	—	—	—	—	—	—	—	—	Single block operation with part systems synchronized is the function for executing single block operation while maintaining the synchronization among the part systems when two or more part systems are operated in the multi-part system. When one part system has been stopped by single block stop, the other part systems pause in the cycle operation.
—	—	—	—	—	—	—	—	—	—	—	Override can be applied to dwell time and miscellaneous function finish wait time of all part systems. The synchronization among part systems can be maintained when the multiple machining programs are operated with override.
—	—	—	—	—	—	—	—	—	—	—	Synchronization among part systems and feedrate change are turned OFF in a part of a machining program to eliminate a synchronization relation among part systems by single block operation with part systems synchronized or variation of a machining program feedrate by dry run. This function is effective mainly in blocking the cycle operation pause or feedrate variation in only some of part systems when the sub part system control II function is being used.

M800V/M80V/E80/C80 SERIES SPECIFICATIONS LIST

M800V/M80V/E80/C80 SERIES SPECIFICATIONS LIST

○Standard △Optional □Selection

[M800V/M80V]S/W ver.A8 [E80]S/W ver.FB [C80]S/W ver.BE

class		Lathe system									
		M800VW		M800VS		M80VW	M80V		E80		C80
		M850VW	M830VW	M850VS	M830VS	—	M80V TypeA	M80V TypeB	E80 TypeA	E80 TypeB	—
4	Machining condition selection I	○	○	○	○	○	○	—	—	—	○
5	Direct command mode	△	△	△	△	—	—	—	—	—	—
4 Programming support functions											
1	Playback	△	△	△	△	—	—	—	—	—	—
3	Interactive cycle insertion	△	△	△	△	○	○	○	○	○	—
4	Simple programming (NAVI MILL / LATHE)	△	△	△	△	○	○	○	○	○	—
5	G code guidance	○	○	○	○	○	○	○	○	○	○
7	DXF data input	△	△	△	△	○	○	—	—	—	—
13 Machine accuracy compensation											
1 Static accuracy compensation											
1	Backlash compensation	○	○	○	○	○	○	○	○	○	○
2	Memory-type pitch error compensation [sets]	○32	○32	○32	○32	○16	○16	○16	○16	○16	○10
3	Memory-type relative position error compensation	○	○	○	○	○	○	○	○	○	○
4	External machine coordinate system compensation	△	△	△	△	○	○	○	○	○	△
5	Circular radius error compensation	△	△	△	△	○	○	○	—	—	△
6	Ball screw thermal expansion compensation	△	△	△	△	○	○	○	○	○	△
7	Rotation center error compensation	△	△	△	△	—	—	—	—	—	—
8	Position-dependent gradually increasing-type backlash compensation	△	△	△	△	○	○	○	—	—	△
9	Bidirectional pitch error compensation	△	△	△	△	○	○	○	—	—	△
10	Cyclic error compensation	△	△	△	△	○	○	○	—	—	—
11	Spatial error compensation	—	—	—	—	—	—	—	—	—	—
12	Backlash compensation II	—	—	—	—	—	—	—	—	—	—
2 Dynamic accuracy compensation											
1	Smooth high-gain (SHG) control	○	○	○	○	○	○	○	○	○	○
2	Dual feedback	○	○	○	○	○	○	○	○	○	○
3	Lost motion compensation	○	○	○	○	○	○	○	○	○	○
4	OMR II (Backlash with filter)	△	△	△	△	○	○	○	—	—	△
6	OMR-FF	△	△	△	△	○	○	○	○	○	△
7	Distance-coded reference position detection	△	△	△	△	○	○	○	—	—	—
8	Optimum Machine Response-Contour Control	△	△	△	△	○	○	○	—	—	—
9	Variable torsion compensation	—	—	—	—	—	—	—	—	—	—
10	Cogging torque compensation	△	△	△	△	○	○	○	—	—	—
14 Automation support functions											
1 Measurement											
1	Skip	○	○	○	○	○	○	○	○	○	○

		Machining center system										General explanation
		M800VW		M800VS		M80VW	M80V		E80		C80	
		M850VW	M830VW	M850VS	M830VS	—	M80V TypeA	M80V TypeB	E80 TypeA	E80 TypeB	—	
		○	○	○	○	○	○	○	○	○	○	The machining condition parameter set which consists of parameters related to the high-accuracy control can be configured in advance for each machining application (such as part machining or die machining) or machining process (such as rough or finishing), and it can be switched according to the purpose.
		—	—	—	—	—	—	—	—	—	—	By reducing the load applied during the NC program analysis and interpolation to the minimum possible level, the machining programs expressed in fine segments are executed at a high processing speed.
		○	○	○	○	○	○	○	○	○	○	This function enables creation of a program while proceeding with simple machining by manual (handle or job) feed or mechanical handle feed.
		△	△	△	△	○	○	○	○	○	○	This function enables to interactively insert a cycle to assist in the machining and setup for the program opening on the edit screen. The cycle can easily be inserted by editing data in an interactive window.
		△	△	△	△	○	○	○	○	○	○	Create a part program by using NAVI MILL (for machining center system) or NAVI LATHE (for lathe system).
		○	○	○	○	○	○	○	○	○	○	G code guidance is a function to display illustration of the contents or movements of the commanded format for the G code currently under editing. This is used when creating or editing a machining program.
		△	△	△	△	○	○	—	—	—	—	This function allows you to import a DXF drawing file from an external I/O device through DXF data input window, extract the figure element data from the drawing. Extracted data can be set as arbitrary shape data or as hole position data to the cycle being edited using the interactive cycle insertion function.
		○	○	○	○	○	○	○	○	○	○	This function compensates the error (backlash) produced when the direction of the machine system is reversed.
		○32	○32	○32	○32	○16	○16	○16	○16	○16	○10	Machine accuracy can be improved by compensating the errors in the screw pitch intervals among the mechanical errors (production errors, wear, etc.) of the feed screws.
		○	○	○	○	○	○	○	○	○	○	Machine accuracy can be improved by compensating the relative error between machine axes, such as a production error or aging.
		△	△	△	△	○	○	○	○	○	△	The coordinate system can be shifted by inputting a compensation amount from the PLC. This compensation amount will not appear on the counters (all counters including machine position).
		△	△	△	△	○	○	○	—	—	△	With commands designated during arc cutting, this function compensates movement toward the inside of the arcs caused by a factor such as servo delay.
		△	△	△	△	○	○	○	○	○	△	This compensates the axis feed error caused by a ball screw's thermal expansion, etc. using the values set by the PLC.
		△	△	△	△	○	○	—	—	—	—	In a machine with a rotary axis, there may be a case where the actual rotation center deviates from the programmed rotation center. (In other words, "machine rotation center error" may be observed.) Higher accuracy machining can be realized by compensating this error.
		△	△	△	△	○	○	○	○	○	△	With this function, the gradually increasing-type lost motion which depends on the distance from the point where the machine movement direction is reversed can be compensated by controlling the variation of backlash compensation amount according to the distance from the direction reversal point.
		△	△	△	△	○	○	○	—	—	△	Bidirectional pitch error compensation function is used to compensate the pitch error in each direction by setting the pitch error compensation amount when moving in the positive and negative direction.
		△	△	△	△	○	○	○	—	—	—	When the machine operation induces certain cyclic errors, this function compensates a series of cyclic errors by setting the compensation amount for a single cycle.
		△	△	△	△	—	—	—	—	—	—	This function can compensate for three-dimensional errors of a machine tool due to its linear and rotary axes. This measures the spatial errors with a measuring device, inputs the measurement results to the NC to make an error data file and adds the calculated compensation amount of the linear and rotary axes to the drive command position to perform the compensation.
		△	△	△	△	○	○	○	○	○	—	For a machine under semi-closed loop control, this function restrains quadrant errors caused by backlash being generated when the travelling direction reverses.
		○	○	○	○	○	○	○	○	○	○	This is a high-response and stable position control method using the servo system. SHG control realizes an approximately three-fold position loop gain compared to the conventional control method.
		○	○	○	○	○	○	○	○	○	○	Use position feedback with a motor-side encoder in ranges with high acceleration to enable stable control. In ranges with low acceleration, use position feedback with the machine-side encoder (scale). This will make it possible to increase the position loop gain. A machine-side encoder (scale) is separately required.
		○	○	○	○	○	○	○	○	○	○	This function compensates the error in protrusion shapes caused by lost motion at the arc quadrant changeover section during circular cutting.
		△	△	△	△	○	○	○	○	○	△	The OMR (Optimal Machine Response) control function estimates the machine or motor model (moment of inertia, cone friction, viscosity coefficient, etc.) that can cause a path error (deviation of the actual tool path from the programmed path). High-accuracy machining is achieved by carrying out feed forward control based on that model. This allows error caused by quadrant protrusions during circular interpolation or quadrants on the inner side of the path to be greatly reduced. OMR-II is a function that focuses on the quadrant protrusions, and improves the path error with this. Quadrant path compensation is included in OMR-II.
		△	△	△	△	○	○	○	○	○	△	OMR-FF control enables fine control by generating feed forward inside the drive unit and can realize the strict feedback control to the program command than the conventional high-speed accuracy control.
		△	△	△	△	○	○	○	—	—	—	This is a function where a distance-coded reference scale is used to establish the reference point in the relative position detection system.
		△	△	△	△	○	○	○	—	—	—	OMR-CC (optimum machine response - contour control) is a function that improves the passing speed in curved parts such as arcs and free curved surfaces without increasing the path error (difference between the program path and the tool path) caused by the delay of the servo system. By enabling this function, the machining time can be shortened while maintaining the machining accuracy.
		△	△	△	△	○	○	—	—	—	—	This function applies compensation according to the acceleration rate at direction reversal based on the predefined compensation parameters and therefore improves the machining accuracy.
		△	△	△	△	○	○	○	—	—	—	This function compensates the torque ripple (cogging torque).
		○	○	○	○	○	○	○	○	○	○	When the external skip signal is input during linear interpolation using the G31 command, machine feeding is stopped immediately and the remaining distance is discarded to execute the commands in the next block.

M800V/M80V/E80/C80 SERIES SPECIFICATIONS LIST

M800V/M80V/E80/C80 SERIES SPECIFICATIONS LIST

○Standard △Optional □Selection

[M800V/M80V]S/W ver.A8 [E80]S/W ver.FB [C80]S/W ver.BE

class	Lathe system										C80	General explanation
	M800VW		M800VS		M80VW	M80V		E80		-		
	M850VW	M830VW	M850VS	M830VS	-	M80V TypeA	M80V TypeB	E80 TypeA	E80 TypeB			
2	Multiple-step skip	○	○	○	○	○	○	○	○	○	○	
4	PLC skip	△	△	△	△	○	○	○	○	○	△	
5	Speed change skip	△	△	△	△	-	-	-	-	-	-	
6	Torque limitation skip	△	△	△	△	○	○	○	○	○	△	
2	Automatic tool length measurement	○	○	○	○	○	○	○	○	○	○	
3	Manual tool length measurement 1	○	○	○	○	○	○	○	○	○	○	
4	Manual tool length measurement 2	○	○	○	○	○	○	○	○	○	○	
5	Workpiece coordinate offset measurement	○	○	○	○	○	○	○	○	○	○	
6	Workpiece position measurement	-	-	-	-	-	-	-	-	-	-	
7	Rotation measurement	-	-	-	-	-	-	-	-	-	-	
8	Rotation center error measurement	-	-	-	-	-	-	-	-	-	-	
9	Workpiece installation error measurement	-	-	-	-	-	-	-	-	-	-	
2	Tool life management											
1	Tool life management											
1	Tool life management I	○	○	○	○	○	○	○	○	○	○	
2	Tool life management II	○	○	○	○	○	○	○	○	○	○	
3	Tool life management III	-	-	-	-	-	-	-	-	-	-	
2	Number of tool life management sets											
99	sets	-	-	-	-	-	-	○	○	○	-	
128	sets	○	○	○	○	-	-	-	-	-	○	
200	sets	-	-	-	-	-	-	-	-	-	-	
256	sets	-	-	-	-	○	○	-	-	-	△	
400	sets	△	△	△	△	-	-	-	-	-	-	
999	sets	△	△	△	△	-	-	-	-	-	-	
3	Tool life management set allocation to part systems											
○	○	○	○	○	○	○	○	-	-	○		
3	Others											
1	Programmable current limitation	○	○	○	○	○	○	○	○	○	○	
2	Auto power OFF	○	○	○	○	○	○	○	○	○	-	
4	Load monitoring I	△	△	△	△	○	○	-	-	-	-	
5	Power ON / OFF sequence	○	○	-	-	○	-	-	-	-	-	
6	PLC axis current limit	-	-	-	-	-	-	-	-	-	○	
7	Direct robot control	□	□	□	□	□	□	□	□	□	-	
8	Cutting load control	-	-	-	-	-	-	-	-	-	-	
15	Safety and maintenance											
1	Safety switches											
1	Emergency stop	○	○	○	○	○	○	○	○	○	○	
2	Data protection key	○	○	○	○	○	○	○	○	○	○	
2	Display for ensuring safety											
1	NC warning	○	○	○	○	○	○	○	○	○	○	
2	NC alarm	○	○	○	○	○	○	○	○	○	○	
3	Operation stop cause	○	○	○	○	○	○	○	○	○	○	
4	Emergency stop cause	○	○	○	○	○	○	○	○	○	○	

class	Machining center system										C80	General explanation
	M800VW		M800VS		M80VW	M80V		E80		-		
	M850VW	M830VW	M850VS	M830VS	-	M80V TypeA	M80V TypeB	E80 TypeA	E80 TypeB			
○	○	○	○	○	○	○	○	○	○	○	○	This function realizes skipping by designating a combination of skip signals for each skip command.
△	△	△	△	○	○	○	○	○	○	△	This function enables skip operations to be performed by signals which are input from the user PLC.	
△	△	△	△	-	-	-	-	-	-	-	This function is used to change the feed rate or to stop the movement by inputting the skip signal during the linear interpolation.	
△	△	△	△	○	○	○	○	○	○	-	Axis movement is performed in the torque limited status, and the axis movement command is suspended to proceed to the next block when the current command value reaches the designated torque skip value and the torque skip turns ON.	
○	○	○	○	○	○	○	○	○	○	○	This function moves the tool in the direction of the tool measurement position by the commanded value between the measurement start position and measurement position. It stops the tool as soon as it reaches the sensor and calculates the difference between the coordinates where the tool has stopped and the command coordinates. It registers this difference as the tool length compensation amount for that tool.	
○	○	○	○	○	○	○	○	○	○	○	○	Simple measurement of the tool length is done without a sensor.
○	○	○	○	○	○	○	○	○	○	○	○	[M system] When the tool is positioned at the reference position, this function measures the distance from the reference position to the tool tip and registers it as the tool length compensation amount. [L system] A device with a built-in touch sensor is used. Simply by causing the tool nose to touch the touch sensor in manual feed, the tool compensation amount can be calculated and stored in tool compensation amount memory.
-	-	-	-	-	-	-	-	-	-	-	-	The external workpiece coordinate offset data for the Z axis can be set by cutting the workpiece face by means of manual operations and inputting the workpiece measurement signal.
○	○	○	○	○	○	○	○	○	○	○	○	The workpiece position measurement function is used to measure each axis' coordinate by installing a sensor on the spindle and the sensor contacting the workpiece with the manual feed or handle feed. The surface, hole center and width center coordinates are calculated from the measured coordinates, and those calculated results are set in the workpiece coordinate offset.
○	○	○	○	○	○	○	○	-	-	-	○	The offset of the rotary coordinate system (rotation center and rotation angle) is measured, and the results are set to the workpiece coordinate system offset (rotation center) and the parameters.
△	△	△	△	○	○	-	-	-	-	-	-	This function executes automatic measurement with the touch sensor on the reference sphere to calculate the rotation center error compensation amount.
△	-	△	-	-	-	-	-	-	-	-	-	This function executes automatic measurement with the touch sensor to calculate the workpiece installation error compensation amount.
○	○	○	○	○	○	○	○	○	○	○	○	The tool usage is monitored by accumulating each tool's usage time or the frequency of use.
○	○	○	○	○	○	○	○	○	○	○	○	[M system] A spare tool change function is added to the tool life management I. [L system] The life of each tool (time and frequency) is controlled, and when the life is reached, a spare tool of the same type is selected from the same group.
○	○	○	○	○	○	○	○	○	○	○	○	The tool usage is monitored by accumulating each tool's usage time and the frequency of use. This function is not controlled by the group No.
-	-	-	-	-	-	-	-	-	-	-	-	
-	-	-	-	-	-	-	-	-	-	-	-	
○	○	○	○	○	○	○	○	○	○	○	○	The max. sets of tools available for tool life management
△	△	△	△	-	-	-	-	-	-	-	-	
△	△	△	△	-	-	-	-	-	-	-	-	
○	○	○	○	-	-	-	-	-	-	-	-	* Variable number of management tools The number of tool life management tools can be set per part system. There are two types of the allocation: "Arbitrary allocation" which allocates the number of tool life management tools to each part system arbitrarily and "Fixed allocation" which automatically allocates the number of tool life management tools to each part system equally, and the type can be selected using the parameter.
○	○	○	○	○	○	○	○	○	○	○	○	This function allows the current limit value of the NC axis to be changed to a desired value in the program, and is used for the workpiece stopper, etc.
○	○	○	○	○	○	○	○	○	○	○	-	Auto power OFF function notifies that the control unit's power can be turned OFF after shutting the display unit down by entering "automatic power OFF request" signal from user PLC to NC.
△	△	△	△	○	○	-	-	-	-	-	-	This function aims at detecting tool wear or degradation by detecting and monitoring the actual load (current value) on spindle and NC axes on a real time basis.
○	○	-	-	○	-	-	-	-	-	-	-	This function turns the power supply ON / OFF, synchronizing the NC control unit and the HMI screen.
-	-	-	-	-	-	-	-	-	-	-	○	A current limit is available for the PLC axis as well as for the NC axis. This function can be used for actions such as stopper operation.
□	□	□	□	□	□	□	□	□	□	□	-	This function enables a robot to be connected to and directly operated by an NC.
△	△	△	△	○	○	-	-	-	-	-	-	This function automatically changes the feedrate so that the cutting load reaches the set target load. For machining with a low cutting load, the feedrate can be increased and the cycle time can be shortened. On the other hand, for machining with a high cutting load, the tool can be protected by reducing the feedrate and reducing the load on the tool.
○	○	○	○	○	○	○	○	○	○	○	○	All operations are stopped by the emergency stop signal input and, at the same time, the drive section is stopped and the movement of the machine is stopped.
○	○	○	○	○	○	○	○	○	○	○	○	With the input from the user PLC, it is possible to prohibit the parameter setting or deletion, and the program edit from the setting and display unit.
○	○	○	○	○	○	○	○	○	○	○	○	Warnings are output by the CNC system. When one of these warnings occurs, a warning number is output to the PLC and a description of the warning appears on the screen. Operation can be continued without taking further action.
○	○	○	○	○	○	○	○	○	○	○	○	When an alarm has occurred, an alarm number is output to the PLC, and a description of the alarm appears on the screen. Operation cannot be continued without taking remedial action.
○	○	○	○	○	○	○	○	○	○	○	○	The stop cause of automatic operation is shown on the display.
○	○	○	○	○	○	○	○	○	○	○	○	When the "EMG" (emergency stop) message is displayed in the operation status area of the display, the cause of the emergency stop can be confirmed.

○Standard △Optional □Selection

[M800V/M80V]S/W ver.A8 [E80]S/W ver.FB [C80]S/W ver.BE

class	Lathe system										C80	General explanation
	M800VW		M800VS		M80VW	M80V		E80				
	M850VW	M830VW	M850VS	M830VS	—	M80V TypeA	M80V TypeB	E80 TypeA	E80 TypeB	—		
5	Thermal detection	○	○	○	○	○	○	○	○	○	○	
6	Battery alarm / warning	○	○	○	○	○	○	○	○	○	○	
3 Protection												
1	Stroke end (Over travel)	○	○	○	○	○	○	○	○	○	○	
2	Stored stroke limit											
1	Stored stroke limit I/II	○	○	○	○	○	○	○	○	○	○	
2	Stored stroke limit IB	△	△	△	△	○	○	○	—	—	△	The areas where tool entry is prohibited can be set with parameters or program commands. There are multiple types of prohibitions according to the prohibited range and method.
3	Stored stroke limit IIB	△	△	△	△	○	○	○	—	—	△	
4	Stored stroke limit IC	△	△	△	△	○	○	○	—	—	△	
3	Stroke check before travel	△	△	△	△	○	○	○	—	—	—	
4	Chuck / Tailstock barrier check	○	○	○	○	○	○	○	○	○	○	
5	Interlock	○	○	○	○	○	○	○	○	○	○	
6	External deceleration	○	○	○	○	○	○	○	○	○	○	
7	Interference check III	△	△	△	△	—	—	—	—	—	—	
8	3D machine interference check	—	—	—	—	—	—	—	—	—	—	
9	Door interlock											
1	Door interlock I	○	○	○	○	○	○	○	○	○	○	
2	Door interlock II	○	○	○	○	○	○	○	○	○	○	
10	Parameter lock	○	○	○	○	○	○	○	○	○	○	
11	Program protection (Edit lock B, C)	○	○	○	○	○	○	○	○	○	○	
12	Program display lock	○	○	○	○	○	○	○	○	○	○	
13	Data protection by user's level	△	△	△	△	○	○	○	○	○	△	
15	Vertical axis pull-up	○	○	○	○	○	○	○	○	○	○	
16	Machine group-based alarm stop	△	△	△	△	○	○	○	—	—	△	
17	Interference check between part systems	○	○	○	○	○	○	—	—	—	—	
18	Spindle protection	○	○	○	○	○	○	○	—	—	—	
19	Real-time 3D machine interference check	—	—	—	—	—	—	—	—	—	—	
4 Maintenance and troubleshooting												
1	Operation history	○	○	○	○	○	○	○	○	○	○	
2	Data sampling	○	○	○	○	○	○	○	○	○	○	
3	NC data backup	○	○	○	○	○	○	○	○	○	○	
4	Servo tuning support											
1	NC Analyzer2 (Note 1)	○	○	○	○	○	○	○	○	○	○	
5	Automatic backup	○	○	○	○	○	○	○	○	○	○(GOT)	
8	Application error detection	○	○	—	—	○	—	—	—	—	—	
9	Email notification to operator	△	△	△	△	○	○	○	○	○	—	
10	NC Configurator2 (Note 2)	○	○	○	○	○	○	○	○	○	○	
11	Diagnosis data output	○	○	○	○	○	○	○	○	○	○	

Machining center system										C80	General explanation
M800VW		M800VS		M80VW	M80V		E80				
M850VW	M830VW	M850VS	M830VS	—	M80V TypeA	M80V TypeB	E80 TypeA	E80 TypeB	—		
○	○	○	○	○	○	○	○	○	○	○	When overheating is detected in the control unit, an overheat signal is output at the same time as the alarm is displayed.
○	○	○	○	○	○	○	○	○	○	○	
○	○	○	○	○	○	○	○	○	○	○	When it is time to change the batteries, an alarm and warning are displayed.
○	○	○	○	○	○	○	○	○	○	○	Limit switches and dogs are attached to the machine, and when a limit switch has kicked a dog, the movement of the machine is stopped by the signal input from the limit switch.
△	△	△	△	○	○	○	—	—	△	△	The areas where tool entry is prohibited can be set with parameters or program commands. There are multiple types of prohibitions according to the prohibited range and method.
△	△	△	△	○	○	○	—	—	△	△	
△	△	△	△	○	○	○	—	—	△	△	
△	△	△	△	○	○	○	—	—	△	△	
△	△	△	△	○	○	○	—	—	△	△	By commanding, from the program, the boundary for prohibiting machine entry as a coordinate position in the machine coordinate system, entry into the inner side of that boundary can be prohibited.
—	—	—	—	—	—	—	—	—	—	—	By limiting the tool nose point movement range, this function prevents the tool from colliding with the chuck or tail stock because of a programming error.
○	○	○	○	○	○	○	○	○	○	○	The machine movement will decelerate and stop as soon as the interlock signal, serving as the external input, is turned ON. When the interlock signal is turned OFF, the machine starts moving again.
○	○	○	○	○	○	○	○	○	○	○	This function reduces the feedrate to the deceleration speed set by the parameter when the external deceleration input signal has been set to ON.
△	△	△	△	—	—	—	—	—	—	—	By checking the relative relation between interference objects, the interference can be prevented from occurring. One interference object is defined by one to sixteen tridimensional objects. The maximum definable number is 128 for the interference objects and is 256 for the tridimensional objects.
△	△	—	—	○	—	—	—	—	—	—	The machine pre-reads the position to be moved during the operation to check the interference by the 3D model (machine, tool and jig) registered in advance. When an interference is predicted, an alarm will be shown immediately and all the axes will be decelerated to stop.
○	○	○	○	○	○	○	○	○	○	○	Under the CE marking scheme of the European safety standards (machine directive), the opening of any protection doors while a machine is moving is prohibited. When the door open signal is input from the PLC, this function first decelerates, stops all the control axes, establishes the ready OFF status, and then shuts off the drive power inside the servo drive units so that the motors are no longer driven.
○	○	○	○	○	○	○	○	○	○	○	This function is used to prohibit the changing of machine parameters.
○	○	○	○	○	○	○	○	○	○	○	The edit lock function B or C inhibits machining program B or C (group by machining program numbers) from being edited or erased when these programs require protection.
○	○	○	○	○	○	○	○	○	○	○	This function allows the display of only a target program (label address 9000) to be disabled for the program display in the monitor screen, etc.
△	△	△	△	○	○	○	○	○	○	△	Up to 8 levels of access permission helps to prevent you from dispatching defective works.
○	○	○	○	○	○	○	○	○	○	○	This function prevents the tool from breakage, through pulling up the cutting tool during emergency stop or instantaneous power interruption at low cutting speed.
△	△	△	△	○	○	○	—	—	△	△	When an alarm occurs for an axis, this function performs an alarm stop only for the axes in a machine group to which the axis belongs.
—	—	—	—	—	—	—	—	—	—	—	This function checks the relative position of up to six cuboids (referred to as interfering objects) all the time, and if a command which causes the interfering objects to collide with each other is issued, the function stops the axis movement to prevent the interference in advance. Such interference can be prevented by covering the tool post, etc. with cuboids. * Up to 4 part systems
○	○	○	○	○	○	○	○	—	—	—	This function consists of a function of calculating the equivalent load ratio of spindle motor and a function of outputting the equivalent load ratio and temperature of spindle motor to the log file.
△	△	—	—	—	—	—	—	—	—	—	This function checks for interference through look ahead of the position to which the machine is to move using pre-registered 3D models (machine, tool, jig) while operation is running. If interference is anticipated, an alarm is triggered immediately and all axes are decelerated to a stop. The 3D models displayed in real time on the 3D monitor screen help to understand the actual positional relationship of the machine.
○	○	○	○	○	○	○	○	○	○	○	This is a maintenance function which is useful for tracing down the history and NC operation information and analyzing problems, etc. This information is saved in the history data file, and can be displayed on the screen and output to a file.
○	○	○	○	○	○	○	○	○	○	○	The NC data sampling function samples the NC internal data (speed output from NC to drive unit, and feedback data from the drive unit, etc.). This data can be output as text data.
○	○	○	○	○	○	○	○	○	○	○	The NC data back up function backs up the NC parameters, etc., on a built-in disk of display unit or SD card. The data can also be restored.
○	○	○	○	○	○	○	○	○	○	○	With this function, the servo parameters can be automatically adjusted by connecting the CNC and NC Analyzer2, which is an application that runs on a regular personal computer.
○	○	○	○	○	○	○	○	○	○	○(GOT)	With this function, system data, ladder program and custom software can be automatically backed up in case of system failure.
○	○	—	—	○	—	—	—	—	—	—	Application error detection function observes applications such as CNC standard screen or custom screen. When an error such as screen lock is detected, this function saves information and data in the log to investigate the causes easily.
△	△	△	△	○	○	○	○	○	○	—	This function enables NC to transmit emails to network-connected email servers (SMTP servers). With this function, the NC can send emails to PCs and mobile terminals away from machines. You are able to know machining conditions (such as machining completion, stop and failure) even if you are in remote places.
○	○	○	○	○	○	○	○	○	○	○	NC Configurator2 runs on a personal computer to edit the NC data files required for NC control and machine operations such as parameters, tool data and common variables.
○	○	○	○	○	○	○	○	○	○	○	With this function, the information indicating the replacement cycle of the service parts used in NC, drive or motor can be output to the ZR registers.

(Note 1) The software sold separately is necessary.
 (Note 2) Please contact us to purchase a full function version. A limited function version is also available free of charge.

○Standard △Optional □Selection

[M800V/M80V]S/W ver.A8 [E80]S/W ver.FB [C80]S/W ver.BE

class	Lathe system										C80
	M800VW		M800VS		M80VW	M80V		E80		-	
	M850VW	M830VW	M850VS	M830VS	-	M80V TypeA	M80V TypeB	E80 TypeA	E80 TypeB		
12	Backup / Restore	-	-	-	-	-	-	-	-	-	○
13	Security feature for Windows display	△	△	-	-	-	-	-	-	-	-
14	Field network diagnostics	□	□	□	□	□	□	□	□	□	-
15	Remote service iQ Care Remote4U										
1	Connection with RGU	□	□	□	□	□	□	□	□	□	□
2	Connection with no RGU	△	△	△	△	○	○	○	-	-	-
5	Functional safety										
1	Safety observation	△	△	△	△	○	○	○	○	○	-
2	Smart Safety observation										
1	Safety-related I/O observation	△	△	△	△	○	□	□	-	-	△
2	Emergency stop observation	△	△	△	△	○	□	□	-	-	△
3	Drive safety function										
1	SLS (Safety-Limited Speed)	△	△	△	△	○	□	□	-	-	△
2	SLP (Safety-Limited Position)	△	△	△	△	○	□	□	-	-	△
3	SOS (Safe Operating Stop)	△	△	△	△	○	□	□	-	-	△
4	SSM (Safe Speed Monitor)	△	△	△	△	○	□	□	-	-	△
5	SBC / SBT (Safe Brake Control / Safe Brake Test)	△	△	△	△	○	□	□	-	-	△
6	SCA (Safe Cam)	△	△	△	△	○	□	□	-	-	△
7	SS1 / SS2 (Safe Stop)	△	△	△	△	○	□	□	-	-	△
8	STO (Safe Torque Off)	△	△	△	△	○	□	□	-	-	△
9	SCN (Safety Communication Network)	-	-	-	-	-	-	-	-	-	△
16	Drive system										
1	Servo / Spindle										
1	Feed axis										
1	MDS-E-Vx	□	□	□	□	□	□	□	□	□	□
2	MDS-EH-Vx	□	□	□	□	□	□	□	□	□	□
3	MDS-EJ-Vx	□	□	□	□	□	□	□	□	□	□
4	MDS-EJH-Vx	□	□	□	□	□	□	□	□	□	□
5	MDS-EM-SPVx	□	□	□	□	□	□	□	□	□	□
6	MDS-EMH-SPVx	□	□	□	□	□	□	□	□	□	□
2	Spindle										
1	MDS-E-SPx	□	□	□	□	□	□	□	□	□	□
2	MDS-EH-SPx	□	□	□	□	□	□	□	□	□	□
3	MDS-EJ-SPx	□	□	□	□	□	□	□	□	□	□
5	MDS-EM-SPVx	□	□	□	□	□	□	□	□	□	□
6	MDS-EMH-SPVx	□	□	□	□	□	□	□	□	□	□
4	Power supply										
1	MDS-E-CV	□	□	□	□	□	□	□	□	□	□
2	MDS-EH-CV	□	□	□	□	□	□	□	□	□	□
3	MDS-EX-CVP	□	□	□	□	□	□	□	□	□	□
17	Machine support functions										
1	PLC										
1	Built-in PLC processing mode	○	○	○	○	○	○	○	○	○	-
2	PLC functions										

class	Machining center system										General explanation	
	M800VW		M800VS		M80VW	M80V		E80		C80		
	M850VW	M830VW	M850VS	M830VS	-	M80V TypeA	M80V TypeB	E80 TypeA	E80 TypeB			
												This function stores the setting information (sequence programs, parameters and the setting values, etc.) of a connected device to the installed data storage in GOT, and restores those data to the device as needed.
	△	△	-	-	-	-	-	-	-	-	-	This function only activates applications that have been allowed to work when the McAfee® Application Control software is installed on the display unit. This software restricts the operations of the application.
	□	□	□	□	□	□	□	□	□	□	-	This function displays the statistical information in packet transmission and reception (transmission/reception frequency, number of errors, etc.), which is necessary when the communication status of the function expansion unit (the field network expansion unit) is diagnosed.
	□	□	□	□	□	□	□	□	□	□	□	This remote service supports remote maintenance of machine tools using IoT technology. It offers operation monitoring of machine tools and remote diagnostics of CNC. *1 The license agreement is required. *2 Remote service gateway unit is required for connection with RGU.
	△	△	△	△	○	○	○	-	-	-	-	
	△	△	△	△	○	○	○	○	○	-	-	The safety observation function ensures safe access to the machine's working parts (e.g. for adjustment or preparation) without shutting off the power, which reduces the time required to restart the machine.
	△	△	△	△	○	□	□	-	-	△		Using the dual circuits for processing signals input/output to/from the machine (safety signal compare sequence) and dual execution of safety signal process logic made by users (safety PLC), if one circuit has broken down, the other circuit can detect errors, which improves the safety of signal process. * Functional safety expansion unit is required for M80V.
	△	△	△	△	○	□	□	-	-	△		Emergency stop signal is doubled and observed to see whether there is any error. When one emergency stop signal is in open state, the whole system can be set in emergency stop condition. * Functional safety expansion unit is required for M80V.
	△	△	△	△	○	□	□	-	-	△		Axis speed (command speed, FB speed) is observed doubly to see whether the speed exceeds the safe speed. * Functional safety expansion unit is required for M80V.
	△	△	△	△	○	□	□	-	-	△		Axis absolute position (command position, FB position) is observed doubly to see whether the position exceeds the safe position range. * Functional safety expansion unit is required for M80V.
	△	△	△	△	○	□	□	-	-	△		Axis stop speed (command speed, FB speed) is observed doubly whether the speed exceeds the safe stop speed. Axis stop position (command position, FB position) is observed doubly whether the position exceeds the safe stop position range. Observe axis stop position deviation (difference between command position and FB position) doubly to see whether the deviation exceeds the safe stop position deviation. * Functional safety expansion unit is required for M80V.
	△	△	△	△	○	□	□	-	-	△		This function uses the safety signals to inform that the axis speed (command speed, FB speed) is equal to or below the safe speed. * Functional safety expansion unit is required for M80V.
	△	△	△	△	○	□	□	-	-	△		The brakes connected to motors are activated by this function. Because there are two circuits for activating the brakes, one circuit can activate the brakes even when the other circuit is broken down. Furthermore, Safe Brake Test (SBT) can diagnose the circuits for activating the breaks and the effectiveness of the brakes (deterioration due to abrasion, etc.). * Functional safety expansion unit is required for M80V.
	△	△	△	△	○	□	□	-	-	△		This function uses the safety signals to inform that the axis absolute position (command position, FB position) is within the range of safe position. *Functional safety expansion unit is required for M80V.
	△	△	△	△	○	□	□	-	-	△		[Safe stop 1 (SS1)] STO function is activated after an axis is decelerated and the speed (command speed, FB speed) becomes equal to or below the safe stop speed. [Safe stop 2 (SS2)] SOS function is activated after an axis is decelerated and the speed (command speed, FB speed) becomes equal to or below the safe stop speed. * Functional safety expansion unit is required for M80V.
	△	△	△	△	○	□	□	-	-	△		This function shuts OFF power supply to axes. Because there are two power shutoff circuits, one circuit can shut OFF the power supply even when the other circuit is broken down. * Functional safety expansion unit is required for M80V.
	-	-	-	-	-	-	-	-	-	-	△	This function performs safety communication between master station and local station using CC-Link IE field network.
	□	□	□	□	□	□	□	□	□	□	□	CNC-dedicated drive units, spindle motors, and servo motors are used.
	□	□	□	□	□	□	□	□	□	□	□	
	□	□	□	□	□	□	□	□	□	□	□	
	□	□	□	□	□	□	□	□	□	□	□	
	□	□	□	□	□	□	□	□	□	□	□	
	□	□	□	□	□	□	□	□	□	□	□	
	□	□	□	□	□	□	□	□	□	□	□	
	○	○	○	○	○	○	○	○	○	-	-	An exclusive sequence program that controls various signals between the controller and the machine to realize the operations applicable to each machine can be created and built in.

○Standard △Optional □Selection

[M800V/M80V]S/W ver.A8 [E80]S/W ver.FB [C80]S/W ver.BE

class	Lathe system										C80
	M800VW		M800VS		M80VW	M80V		E80		-	
	M850VW	M830VW	M850VS	M830VS	-	M80V TypeA	M80V TypeB	E80 TypeA	E80 TypeB		
3	△	△	△	△	○	○	○	-	-	△	
4	△	△	△	△	○	○	○	○	○	△	
5	○24	○24	○24	○24	○24	○24	○24	○24	○24	○*	
7	○	○	○	○	○	○	○	○	○	○	
8	△*	△*	△*	△*	-	-	-	-	-	-	
9	-	-	-	-	-	-	-	-	-	-	
10	-	-	-	-	-	-	-	-	-	-	
11	Tool center point control										
1	-	-	-	-	-	-	-	-	-	-	
2	-	-	-	-	-	-	-	-	-	-	
12	△	△	△	△	○	○	-	-	-	-	
13	△	△	△	△	○	○	○	○	-	-	
14	△*	△*	△*	△*	-	-	-	-	-	-	
15	△*	-	△*	-	-	-	-	-	-	-	
16	△	△	△	△	○	○	-	-	-	-	
17	-	-	-	-	-	-	-	-	-	-	
18	-	-	-	-	-	-	-	-	-	-	
20	Real-time tuning										
1	△	△	△	△	○	○	-	-	-	-	
2	△	△	△	△	○	○	-	-	-	-	
21	△	△	△	△	○	○	○	○	○	-	
22	○	○	○	○	○	○	○	○	○	-	
23	-	-	-	-	-	-	-	-	-	-	
24	-	-	-	-	-	-	-	-	-	-	
25	-	-	○	○	-	○	○	○	○	-	
26	-	-	-	-	-	-	-	-	-	-	
3	PLC operation										
1	○	○	○	○	○	○	○	○	○	○	
2	△	△	△	△	○	○	○	-	-	-	

class	Machining center system										General explanation
	M800VW		M800VS		M80VW	M80V		E80		C80	
	M850VW	M830VW	M850VS	M830VS	-	M80V TypeA	M80V TypeB	E80 TypeA	E80 TypeB		
△	△	△	△	○	○	○	-	-	△	The synchronous control is a control method whereby both master and slave axes are controlled with the same travel command by designating the travel command for the master axis also to the slave axis. This function is assumed to be used in such equipment as large machine tools, which drive one axis with two servo motors.	
△	△	△	△	○	○	○	-	-	-	Even when the control axes in a machine are mounted at an angle other than 90 degrees, this function enables it to be programmed and controlled in the same way as with an orthogonal axis.	
○24	○24	○24	○24	○24	○24	○24	○24	○24	○24	○*	Instead of a dog switch on a machine's axis, a hypothetical dog switch is established using a parameter to set a coordinate position to show the axis name and the hypothetical dog position. When the machine reaches the position, a signal is output to the PLC interface. * 24 points for each part system and 32 points for the whole PLC axes.
○	○	○	○	○	○	○	○	○	○	○	The indexing of the index table can be performed by setting the index axes.
△	△	△	△	-	-	-	-	-	-	-	(1) Changing the tool length compensation along the tool axis and compensation amount Even if the tool axis direction is not the Z axis direction because the rotary axis is rotated, the tool can be compensated in the tool axis direction. (2) Machine configuration The tool length compensation along the tool axis is carried out in respect to the direction of the tool nose axis (rotary axis). * This function is available during program format switch for L system.
△	△	△	△	-	-	-	-	-	-	-	This function makes it possible to move the axis with the manual pulse generator in the tool axis direction, tool diameter direction X and tool diameter direction Y in the hypothetical coordinate system over the tool axis.
△	△	△	△	-	-	-	-	-	-	-	The tool center coordinates, handle interrupt amount (tool axis movement) and tool center point speed are displayed during the tool center point control function, tool length compensation along the tool axis function, and tool handle feed & interrupt function (tool axis direction handle feed, tool handle interrupt, tool diameter direction handle feed, nose center rotation handle feed).
△	△*	△	△*	○*	○*	-	-	-	-	-	This function controls so that the position command in a machining program is at the tool center point in the coordinate system (table coordinate system) which rotates together with the workpiece. * Restrained to 4-axis simultaneous contouring for M830V, M80VW, M80V TypeA.
△	-	△	-	-	-	-	-	-	-	-	Tool cutting point control is a function to control the point (cutting point) where the tool comes into contact with the workpiece so that it moves at the path and speed specified by the machining program. NC automatically compensates the tool length and tool shape (tool radius, corner R). Therefore, machining can be performed without changing the machining program to change tools. This has the advantage of improving the diversion of machining programs. To use this function, additional specifications of both "tool cutting point control" and "tool center point control" are required.
△	△	△	△	○	○	-	-	-	-	△	An arbitrary spatial plane defined with this function can be machined using normal program commands.
-	-	-	-	-	-	-	-	-	-	-	* This includes simple tool center point control. This function is used when a lathe with the orthogonal axes XYZ and the turret with B axis performs the milling on the inclined surface in the end face direction. This allows the operator to perform cutting on an inclined surface with no need for considering the inclination angle.
△	△	△	△	-	-	-	-	-	-	-	This function is to compensate the tool radius of the 5-axis machine with two rotary axes, in accordance with the change of the workpiece direction and inclination of the tool due to the movement of the rotary axis. * This function is available during program format switch for L system.
△	-	△	-	-	-	-	-	-	-	-	This function is used for a 5-axis machine. This compensates the error when a workpiece is placed off the workpiece coordinate system to enable machining according to the program. * This function is available during program format switch for L system.
△	△	△	△	○	○	-	-	-	-	△	By selecting the hypothetical coordinate system to be machined, axis can be moved with manual feed (JOG, HANDLE or INCREMENTAL) in the coordinate system with this function. It can be easy to setup because multiple axes is moved by NC according to the tool angle or the inclination of the table.
△	△	△	△	○	○	-	-	-	-	-	This provides easy setup of index machining (multiple/inclined surface machining) using a rotary axis.
△	△	△	△	○	○	-	-	-	-	-	This function enables an axis to be synchronized with the axis previously defined as master axis for the synchronous control, and another axis to be synchronized with the slave axis.
△	△	△	△	○	○	-	-	-	-	-	This function estimates the inertia (or workpiece weight) of mechanical system and changes the speed control gain automatically according to the estimation results to suppress mechanical vibration. Users can expect suppression of vibration caused by inertia fluctuation, as well as reduction of machining time through adaptation of appropriate speed control gain.
△	△	△	△	○	○	-	-	-	-	-	This function estimates the inertia (or workpiece weight) of mechanical system and optimizes the acceleration/deceleration time constant automatically according to the estimation results. It achieves the cycle time reduction when the inertia of workpiece to machine changes significantly.
△	△	△	△	○	○	○	○	○	○	-	The servo motor of the axis designated for [Constant torque control] outputs the torque set by the parameter in a constant direction. The servo motor of the axis designated for [Proportional torque stopper control] generates the torque set by the parameter in the stopper direction.
○	○	○	○	○	○	○	○	○	○	-	This function outputs the position (angle) of external encoder to PLC device based on the input pulses from the encoder. This function can be used to monitor the position of angular head which the external encoder is connected to. * Encoder I/F expansion unit is required for M800VW/M80VW.
△	△	△	△	○	○	-	-	-	-	-	Multiple-axis synchronization control is the function that enables multiple slave axes to be synchronized with commands to the master axis.
-	-	-	-	-	-	-	-	-	-	△	A hypothetical linear axis perpendicular to a linear axis is created with the linear axis and a rotary axis. This allows for a smaller machine configuration for machining of large workpieces.
-	-	○	○	-	○	○	○	○	○	-	This function can be used to monitor the position of the turret rotation axis by connecting an encoder compatible with BiSS-C.
△	△	△	△	-	-	-	-	-	-	-	When the tool head side includes the drive sections of the rotary axis and the spindle, the tool head can be changed without turning off the NC and the drive units.
○	○	○	○	○	○	○	○	○	○	○	This is a function to control the NC control axis with command from the PLC in addition to the normal automatic operation command on the NC.
△	△	△	△	○	○	○	-	-	-	-	By specifying a hypothetical coordinate on the machine coordinate from the user PLC, oblique linear interpolation or circular interpolation is executed with jog / handle feed, manual rapid traverse or incremental feed of either X axis or Y axis.

○Standard △Optional □Selection

[M800V/M80V]S/W ver.A8 [E80]S/W ver.FB [C80]S/W ver.BE

class	Lathe system									
	M800VW		M800VS		M80VW	M80V		E80		C80
	M850VW	M830VW	M850VS	M830VS	—	M80V TypeA	M80V TypeB	E80 TypeA	E80 TypeB	—
10	GOT2000 screen design tool GT Works3									
11	Motion control release									
1	Coordinate transformation									
8	Others									
1	System lock									
2	CNC remote operation tool									
1	NC Monitor2 (Note 1)									
2	NC Explorer (Note 2)									
3	Automatic operation lock									
4	Power consumption computation									
5	EcoMonitorLight connection									
6	GOT Window									
7	Log Viewer									
8	Laser processing control									
9	Wireless LAN									

class	Machining center system										General explanation
	M800VW		M800VS		M80VW	M80V		E80		C80	
	M850VW	M830VW	M850VS	M830VS	—	M80V TypeA	M80V TypeB	E80 TypeA	E80 TypeB	—	
—	This integrated software is used to create professional screen designs for GOTs.										
△	This function allows transformation of coordinates different from the NC's rectangular coordinate system, making it possible to control special mechanisms such as parallel link.										
△	This function locks the operations of the NC if the release code is not entered before the specified time limit.										
○	NC Monitor2 is a PC software tool that monitors information in the NC unit connected with the Ethernet.										
○	NC Explorer is a software tool to operate the machining data files of each NC unit connected with a host personal computer by Ethernet connection from the Explorer on the host personal computer.										
○	Automatic operation lock function prevents the falsification of APLC (C language module) by a third party.										
○	Present power consumption and accumulated power consumption can be acquired with this function. The present power consumption notifies the instantaneous power consumption and the accumulated power consumption notifies the integrated value of the present power consumption.										
○	NC system can collect and manage the electric power of the machine tool which is measured by the energy measuring unit "EcoMonitorLight (sold separately)".										
—	This is the interface to display the variety of NC data on GOT connected to the CNC CPU.										
—	This reads out the running machining program No., the running machining program and the coordinate values, etc. by the device read command.										
—	This function enables the recorded data by the data sampling function of the NC to display with a graph on the GOT, and to store the data as a file.										
□	Laser processing control collectively refers to the functions for sheet metal laser cutting which enable the NC to control the laser oscillator via the laser I/F unit. To use laser processing control, the laser I/F unit, the laser oscillator, and other equipment for laser cutting are required.										
—	This function enables the NC to exchange data with devices compliant with wireless LAN standards using wireless communication through the built-in wireless module. This enables the NC screen to be monitored on a tablet device and allows the peripheral tools that are previously connected by wires to be connected wirelessly, which leads to reduced network wiring cost.										

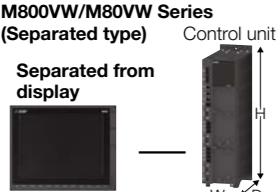
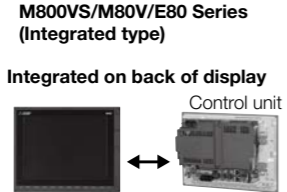
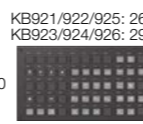
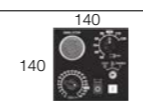



5 CNC SYSTEM

5 CNC SYSTEM

(Note 1) The software sold separately is necessary.
 (Note 2) This tool is free of charge. Please contact us.

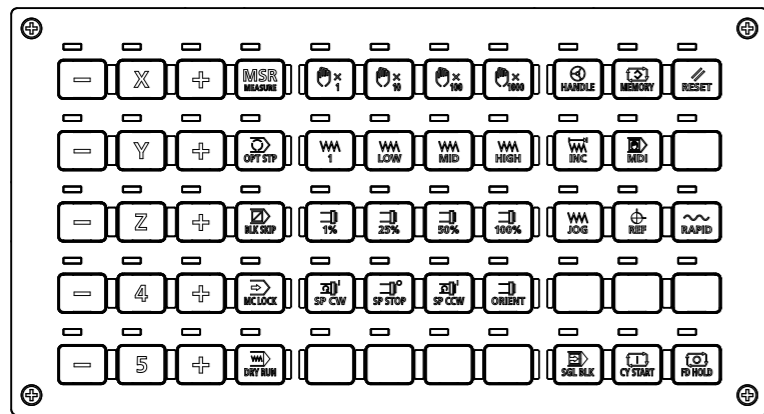
CNC SYSTEM HARDWARE

[mm]

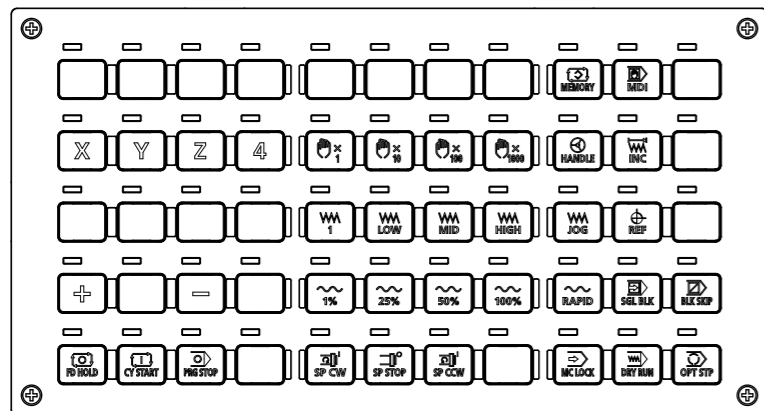
Control unit		Machine operation panel	
M800VW/M80V Series (Separated type) Separated from display  M800VW : 90×180×380 (W×D×H) M80VW : 60×180×380 (W×D×H)	M800VS/M80V/E80 Series (Integrated type) Integrated on back of display 	FCU8-KB921 FCU8-KB923 Standard specification A Key switch: 55 points, LED: 55 points Mitsubishi Electric standard key layout	KB921/922/925: 260 KB923/924/926: 290 
		FCU8-KB925 FCU8-KB926 Standard specification B Key switch: 55 points, LED: 55 points Custom specification key layout	140 
		FCU8-KB922 FCU8-KB924 Standard specification A Rotary switch (Spindle override, cutting override) Selective switch (memory protection) Emergency stop button	140 
		FCU8-KB931 Standard specification A	140 
		FCU8-KB941 Standard specification B	140 

Machine operation panel Key layout

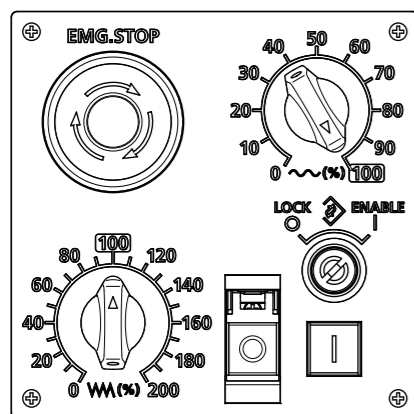
FCU8-KB921/923 (Standard specification A)



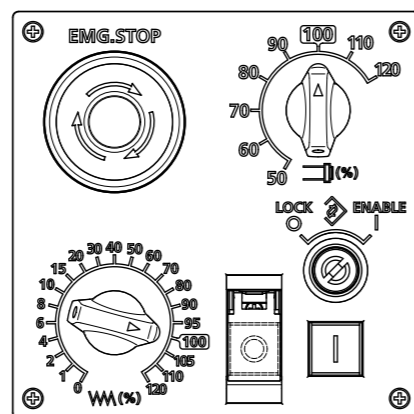
FCU8-KB925/926 (Standard specification B)



FCU8-KB931 (Standard specification A)



FCU8-KB941 (Standard specification B)



Display	Keyboard	M800VW Series	M800VS Series	M80VW Series	M80V Series	E80 Series
19-type touchscreen	—	365 440 Windows based	—	365 440 Windows based	—	—
19-type, horizontal touchscreen	—	365 440 Windows based	—	365 440 Windows based	—	—
19-type touchscreen	FCU8-KB091 Clear key Full keyboard	—	400 475 120	—	400 475 120	—
15-type touchscreen	FCU8-KB083 Clear key Full keyboard	320 400 140 Windows based	320 400 140	320 400 140 Windows based	320 400 140	—
10.4-type touchscreen	FCU8-KB047 Clear key Full keyboard	—	220 290 160	—	220 290 160	—
10.4-type touchscreen	FCU8-KB041 Clear key ONG (XZF) layout for L system FCU8-KB046 Clear key ONG (XYZ) layout	—	220 290 140	—	220 290 140	—
10.4-type touchscreen	FCU8-KB048 Clear key ABC layout	—	220 290 230	—	220 290 230	—
8.4-type	FCU8-KB026 Clear key ONG (XYZ) layout FCU8-KB028 Clear key ONG (XZF) layout for L system	—	—	—	200 260 140	—
8.4-type	FCU8-KB029 Clear key ONG layout	—	—	—	200 260 140	—
8.4-type	FCU8-KB025 Sheet keys ONG (XZF) layout for L system FCU8-KB024 Sheet keys ONG (XZF) layout	—	—	—	200 260 140	200 260 140

CNC SYSTEM CONTROL UNIT/DISPLAY UNIT

[M800V/M80V/E80 Series]

■Display unit/control unit separated-type

CNC System

Series	Model name	System type	NC control unit
M800V Series	M850VW	FCA850U-V	FCU8-MA051-001
	M830VW	FCA830U-V	FCU8-MU052-001
M80V Series	M80VW	FCA80U-V	FCU8-MU054-001

Display unit

Classification	Type	Remarks	Supported Series	
			M800VW	M80VW
Windows-based display unit	19-type vertical color LCD touchscreen	FCU8-DU193-75	○	-
		FCU8-DU193-77	-	○
	19-type horizontal color LCD touchscreen	FCU8-DU194-75	○	-
		FCU8-DU194-77	-	○
	15-type color LCD touchscreen	FCU8-DU182-34	○	-
		FCU8-DU182-36	-	○

■Display unit/control unit integrated-type

Series	Model name	System type	NC control unit	Display unit		
M800VS Series	M850VS	FCA850H-9SV	FCU8-MA551-001	FCU8-DU194-31 (19-type color LCD touchscreen)		
		FCA850H-8SV		FCU8-DU182-31 (15-type color LCD touchscreen)		
		FCA850H-4SV		FCU8-DU142-31 (10.4-type color LCD touchscreen)		
	M830VS	FCA830H-9SV	FCU8-MU551-001	FCU8-DU194-31 (19-type color LCD touchscreen)		
		FCA830H-8SV		FCU8-DU182-31 (15-type color LCD touchscreen)		
		FCA830H-4SV		FCU8-DU142-31 (10.4-type color LCD touchscreen)		
M80V Series	M80V TypeA	FCA80H-9AV	FCU8-MU522-001	FCU8-DU194-32 (19-type color LCD touchscreen)		
		FCA80H-8AV		FCU8-DU182-32 (15-type color LCD touchscreen)		
		FCA80H-4AV		FCU8-DU142-32 (10.4-type color LCD touchscreen)		
		FCA80P-2AV		FCU8-DU122-12 (8.4-type color LCD)		
	M80V TypeB	FCA80H-9BV	FCU8-MU521-001	FCU8-DU194-32 (19-type color LCD touchscreen)		
		FCA80H-8BV		FCU8-DU182-32 (15-type color LCD touchscreen)		
		FCA80H-4BV		FCU8-DU142-32 (10.4-type color LCD touchscreen)		
		FCA80P-2BV		FCU8-DU122-12 (8.4-type color LCD)		
		E80 TypeA		FCA80P-2EA	FCU8-MU514-001	FCU8-DU121-13(8.4-type color LCD)
				E80 TypeB		FCA80P-2EB

[C80 Series]

■CNC-CPU unit

Product	Model	Remarks
CNC control module	R16NCCPU-S1	

■GOT2000 related unit

SD card

Product	Model	Model code	Remarks
SD card	NZ1MEM-2GBSD	1WC535	2GB SD memory card for GOT

GT27 Model

Product	Model	Model code	Remarks	
GT27 Model	GT2715	GT2715-XTBA	1EA790	15" XGA [1024×768 dots] TFT color LCD 65536 colors (Multimedia & Video/RGB compliant Multi-touch compliant) 100 to 240VAC, User memory Memory for storage (ROM): 57MB, Memory for operation (RAM): 128MB GT Designer3 Version1 (GOT2000) 1.117X or later is required.
	GT2712	GT2712-STBA	1EA780	12.1" SVGA [800×600 dots] TFT color LCD 65536 colors (Multimedia & Video / RGB compliant Multi-touch compliant) 100 to 240VAC, User memory Memory for storage (ROM): 57MB, Memory for operation (RAM): 128MB GT Designer3 Version1 (GOT2000) 1.155M or later is required.
		GT2712-STBD	1EA781	12.1" SVGA [800×600 dots] TFT color LCD 65536 colors (Multimedia & Video / RGB compliant Multi-touch compliant) 100 to 240VAC, User memory Memory for storage (ROM): 57MB, Memory for operation (RAM): 128MB GT Designer3 Version1 (GOT2000) 1.155M or later is required.
	GT2710	GT2710-STBA	1EA770	10.4" SVGA [800×600 dots] TFT color LCD 65536 colors (Multimedia & Video / RGB compliant Multi-touch compliant) 100 to 240VAC, User memory Memory for storage (ROM): 57MB, Memory for operation (RAM): 128MB GT Designer3 Version1 (GOT2000) 1.155M or later is required.
		GT2710-STBD	1EA771	10.4" SVGA [800×600 dots] TFT color LCD 65536 colors (Multimedia & Video / RGB compliant Multi-touch compliant) 100 to 240VAC, User memory Memory for storage (ROM): 57MB, Memory for operation (RAM): 128MB GT Designer3 Version1 (GOT2000) 1.155M or later is required.
	GT2708	GT2708-STBA	1EA740	8.4" SVGA [800×600 dots] TFT color LCD 65536 colors (Multimedia & Video / RGB compliant Multi-touch compliant) 100 to 240VAC, User memory Memory for storage (ROM): 57MB, Memory for operation (RAM): 128MB GT Designer3 Version1 (GOT2000) 1.155M or later is required.
		GT2708-STBD	1EA741	8.4" SVGA [800×600 dots] TFT color LCD 65536 colors (Multimedia & Video / RGB compliant Multi-touch compliant) 100 to 240VAC, User memory Memory for storage (ROM): 57MB, Memory for operation (RAM): 128MB GT Designer3 Version1 (GOT2000) 1.155M or later is required.
	GT2710	GT2710-VTBA	1EA760	10.4" VGA [640×480 dots] TFT color LCD 65536 colors (Multimedia & Video / RGB compliant Multi-touch compliant) 100 to 240VAC, User memory Memory for storage (ROM): 57MB, Memory for operation (RAM): 128MB GT Designer3 Version1 (GOT2000) 1.165X or later is required.
		GT2710-VTBD	1EA761	10.4" VGA [640×480 dots] TFT color LCD 65536 colors (Multimedia & Video / RGB compliant Multi-touch compliant) 100 to 240VAC, User memory Memory for storage (ROM): 57MB, Memory for operation (RAM): 128MB GT Designer3 Version1 (GOT2000) 1.165X or later is required.
	GT2708	GT2708-VTBA	1EA730	8.4" VGA [640×480 dots] TFT color LCD 65536 colors (Multimedia & Video / RGB compliant Multi-touch compliant) 100 to 240VAC, User memory Memory for storage (ROM): 57MB, Memory for operation (RAM): 128MB GT Designer3 Version1 (GOT2000) 1.165X or later is required.
		GT2708-VTBD	1EA731	8.4" VGA [640×480 dots] TFT color LCD 65536 colors (Multimedia & Video / RGB compliant Multi-touch compliant) 100 to 240VAC, User memory Memory for storage (ROM): 57MB, Memory for operation (RAM): 128MB GT Designer3 Version1 (GOT2000) 1.165X or later is required.
	GT2705	GT2705-VTBD	1EA721	5.7" VGA [640×480 dots] TFT color LCD 65536 colors (Multi-touch compliant) 24VDC, User memory Memory for storage (ROM): 32MB, Memory for operation (RAM): 80MB GT Designer3 Version1 (GOT2000) 1.165X or later is required.
	Protective sheet	GT27-15PSCC	1EK313	Surface treatment: anti-glare, Sheet color: transparent, USB environmental protection cover area: open, Number of sheets included in a set: 5
		GT25-12PSCC	1EK307	For 12.1" Clear type, Transparent, With a hole for the USB environmental protection cover, A set of 5 sheets.
		GT25-10PSCC	1EK304	For 10.4" Clear type, Transparent, With a hole for the USB environmental protection cover, A set of 5 sheets.
GT25-08PSCC		1EK301	For 8.4" Clear type, Transparent, With a hole for the USB environmental protection cover, A set of 5 sheets.	
GT25-05PSCC		1EK316	For 5.7" Clear type, Transparent, With a hole for the USB environmental protection cover, A set of 5 sheets.	

GT25 Model

Product	Model	Model code	Remarks
GT2512	GT2512-STBA	1EA580	12.1" SVGA [800×600 dots] TFT color LCD 65536 colors 100 to 240VAC, User memory Memory for storage (ROM): 32MB, Memory for operation (RAM): 80MB GT Designer3 Version1 (GOT2000) 1.155M or later is required.
	GT2512-STBD	1EA581	12.1" SVGA [800×600 dots] TFT color LCD 65536 colors 24VDC, User memory Memory for storage (ROM): 32MB, Memory for operation (RAM): 80MB GT Designer3 Version1 (GOT2000) 1.155M or later is required.
GT2510	GT2510-VTBA	1EA560	10.4" VGA [640×480 dots] TFT color LCD 65536 colors 100 to 240VAC, User memory Memory for storage (ROM): 32MB, Memory for operation (RAM): 80MB GT Designer3 Version1 (GOT2000) 1.165X or later is required.
	GT2510-VTBD	1EA561	10.4" VGA [640×480 dots] TFT color LCD 65536 colors 24VDC, User memory Memory for storage (ROM): 32MB, Memory for operation (RAM): 80MB GT Designer3 Version1 (GOT2000) 1.165X or later is required.
GT2508	GT2508-VTBA	1EA530	8.4" VGA [640×480 dots] TFT color LCD 65536 colors 100 to 240VAC, User memory Memory for storage (ROM): 32MB, Memory for operation (RAM): 80MB GT Designer3 Version1 (GOT2000) 1.165X or later is required.
	GT2508-VTBD	1EA531	8.4" VGA [640×480 dots] TFT color LCD 65536 colors 24VDC, User memory Memory for storage (ROM): 32MB, Memory for operation (RAM): 80MB GT Designer3 Version1 (GOT2000) 1.165X or later is required.
GT25 Handy GOT	GT2506HS-VTBD	09J922	Display section: 6.5" VGA, TFT color LCD, 65536 colors, panel color: black, power supply: 24VDC GT Works3 Version1.195D or later.
GT25 Handy Connector conversion box	GT16H-CNB-42S	09V701	For converting the Handy GOT signals into individual signals for the terminal block, D-sub connector, and Ethernet RJ-45.
GT25 Handy External connection cable (to connect the connector conversion box)	GT16H-C30-42P	09V702	For connection between the Handy GOT and the connector conversion box (GT16H-CNB-42S) 3m
	GT16H-C60-42P	09V703	For connection between the Handy GOT and the connector conversion box (GT16H-CNB-42S) 6m
	GT16H-C100-42P	09V704	For connection between the Handy GOT and the connector conversion box (GT16H-CNB-42S) 10m

CNC SYSTEM I/O UNIT AND OTHERS

[M800V/M80V/E80 Series]

List of Units

Classification	Type	Remarks	Supported Series				
			M800V	M800VS	M80V	M80V	E80
[Operation Panel I/O Unit]							
DI 24V/0V common input	DO Source output	FCU8-DX830	DI: 64-points 24V/0V common type, DO: 64-points source type, Manual pulse generator input: 3ch, Remote I/O 2.0 I/F, RIO occupied stations (fixed): 1 to 4 and 7 to 14, 20 to 22, RIO extensible stations: 5, 6, 15 to 19, 23 to 64 (For Windows-based display unit)				
		FCU8-DX750	DI: 96-points 24V/0V common type, DO: 64-points source type, Manual pulse generator input: 3ch, Remote I/O 2.0 I/F, RIO occupied stations (fixed): 1 to 3 and 7 to 12, 20 to 22, RIO extensible stations: 4 to 6 and 13 to 19, 23 to 64				
		FCU8-DX760	DI: 96-points 24V/0V common type, DO: 96-points source type, Manual pulse generator input: 3ch, Remote I/O 2.0 I/F, RIO occupied stations (fixed): 1 to 4 and 7 to 12, 20 to 22, RIO extensible stations: 5, 6 and 13 to 19, 23 to 64				
	DO Source output AO Analog output	FCU8-DX731	DI: 64-points 24V/0V common type, DO: 48-points source type, AO: 1 point, Manual pulse generator input: 2ch, Remote I/O 2.0 I/F, RIO occupied stations (fixed): 1, 3, 7 to 12, 20 to 22, RIO extensible stations: 2, 4 to 6, 13 to 19, 23 to 64				
DI 24V/0V common input Safety DI 24V/0V common input	DO Source output	FCU8-DX837	DI: 64-points 24V/0V common type, DO: 64-points source type, Safety DI: 8-points 0V common type, Manual pulse generator input: 3ch, Remote I/O 2.0 I/F, RIO occupied stations (fixed): 1 to 4 and 7 to 14, 20 to 22, RIO extensible stations: 5, 6 and 15 to 19, 23 to 64 (For Windows-based display unit)				
DI 24V/0V common input AI analog input	DO Source output AO Analog output	FCU8-DX761	DI: 96-points 24V/0V common type, DO: 64-points source type, AI: 1 point, AO: 1 point, Manual pulse generator input: 3ch, Remote I/O 2.0 I/F, RIO occupied stations (fixed): 1 to 5 and 7 to 12, 20 to 22, RIO extensible stations: 6 and 13 to 19, 23 to 64				
DI 24V/0V common input Scan input	DO Source output Scan output	FCU8-DX834	DI: 64-points 24V/0V common type, DO: 64-points source type, Scan input: 64 points, Scan output: 64 points, Manual pulse generator input: 3ch, Remote I/O 2.0 I/F, RIO occupied stations (fixed): 1 to 4, 7 to 14, 20 to 22, RIO extensible stations: 5, 6, 15 to 19, 23 to 64 (for windows-based display)				
			DI: 64-points 24V/0V common type, DO: 64-points source type, Scan input: 64 points, Scan output: 64 points, Manual pulse generator input: 3ch, Remote I/O 2.0 I/F, RIO occupied stations (fixed): 1 to 4, 7 to 14, 20 to 22, RIO extensible stations: 5, 6, 15 to 19, 23 to 64				
[Remote I/O Unit]							
DI 24V/0V common input	DO Source output	FCU8-DX220	DI: 32-points 24V/0V common type, DO: 32-points source type, Number of occupied stations: 1				
		FCU8-DX230	DI: 64-points 24V/0V common type, DO: 48-points source type, Number of occupied stations: 2				
	DO Source output AO Analog output	FCU8-DX231	DI: 64-points 24V/0V common type, DO: 48-points source type, AO: 1 point, Number of occupied stations: 2				
AI analog input	AO Analog output	FCU8-DX202	AI: 4 points, AO: 1 point, Number of occupied stations: 1				
DI 0V common input	DO Source output (large capacity)	FCU8-DX213	DI: 16-points 0V common type (3mA/point), DO: 8-points source type (2A/point), Number of occupied stations: 1				
		FCU8-DX213-1	DI: 16-points 0V common type (9mA/point), DO: 8-points source type (2A/point), Number of occupied stations: 1				
Thermistor input (12 points)		FCU8-DX408	Thermistor input: 12 points Number of occupied stations: 3				
Multi-analog input (4 points)		FCU8-DX409	Multi-analog input: 4 points * Voltage input, current input, thermocouple input and resistance temperature detector input are selected for each CH. Number of occupied stations: 4				
Safety DI 0V common input	Safety DO Source output (large capacity)	FCU8-DX654	Safety DI: 8-points 0V common type (3mA/point) Safety DO: 4-points source type (2A/point) Number of occupied stations: 2				
		FCU8-DX654-1	Safety DI: 8-points 0V common type (9mA/point) Safety DO: 4-points source type (2A/point) Number of occupied stations: 2				
DI 24V/0V common input Safety DI 0V common input	DO Source output Safety relay output	FCU8-DX651	DI: 32-points 24V/0V common type, DO: 32-points source type, Safety DI: 8-points 0V common type, Safety relay: 4-points (non-voltage contact), Relay contact welding detection Number of occupied stations: 3				
[Laser I/F unit]							
Laser I/F unit		FCU8-DX522-001	DI: 26-points 0V common, DO: 23-points source type Relay: 3-points (non-voltage contact), AI: 1-point, AO: 1-point Number of occupied stations: 1ch				
[Functional Safety Expansion Unit]							
Functional safety expansion unit		FCU8-EX134	Smart Safety observation				

Classification	Type	Remarks	Supported Series				
			M800V	M800VS	M80V	M80V	E80
[Function Expansion Unit]							
Encoder (manual pulse generator) I/F expansion unit	FCU8-EX544	Encoder input 1ch 5V manual pulse generator input 2ch	○	-	○	-	-
CC-Link expansion unit	FCU8-EX561	CC-Link 1ch	○	○	○	○	○
PROFIBUS-DP master unit	FCU8-EX563	PROFIBUS-DP 1ch	○	○	○	○	○
CC-Link IE Field Master/local unit	FCU8-EX564	CC-Link IE Field 2ch	○	○	○	○	○
EtherNet/IP scanner/adaptor unit	FCU8-EX565	EtherNet/IP 1ch (Only LAN1, LAN2 cannot be used)	○	○	○	○	○
FL-net expansion unit	FCU8-EX568	FL-net 1ch (Only LAN1, LAN2 cannot be used)	○	○	○	○	○
Option relay unit	FCU8-EX702	For function expansion unit 1slot	-	-	-	-	○
	FCU8-EX703	For function expansion unit 2slots	-	-	-	-	○
	FCU8-EX704	For function expansion unit 1slot (*1)	-	○	-	-	○
	FCU8-EX705	For function expansion unit 2slots (*1)	-	○	-	-	○
Vibration cutting expansion unit	FCU8-EX744	Vibration cutting control	○	○	○	○	-
Image input expansion unit	FCU8-EX752	19-type display function, Image input function with IPC (Image input I/F: HDMI)	-	○	-	○	-
[Side Memory I/F Unit]							
Side memory I/F Unit	FCU8-EP201-2	SDHC 1ch, USB2.0 1ch USB communication (between side memory I/F PCB and personal computer) Unit lid (resin molded article), metal plate, etc. Exclusive for 19-type display unit	○	-	○	-	-
[Manual Pulse Generator]							
5V Manual pulse generator	UFO-01-2Z9	Input 5VDC, 100pulse/rev	○	○	○	○	○
12V Manual pulse generator	HD60C	Input 12VDC, 25 pulse/rev	○	○	○	○	○
[Encoder]							
Synchronous feed encoder	OSE1024-3-15-68	Input 5VDC, 1024 pulse/rev, 6000r/min, 68-square flange	○	○	○	○	○
	OSE1024-3-15-68-8	Input 5VDC, 1024 pulse/rev, 8000r/min, 68-square flange	○	○	○	○	○
	OSE1024-3-15-160	Input 5VDC, 1024 pulse/rev, 6000r/min, 160-square flange	○	○	○	○	○
[Handy Terminal]							
Handy terminal	HG1T-SB12UH-MK1346-L5		○	○	○	○	○
[Thermistor Sets]							
Thermistor	PT3C-51F-M2 10P		○	○	○	○	○
[Genuine Memory Card]							
Exclusive SD cards for 1GB	FCU8-SD001G	1GB capacity	○	○	○	○	○
Exclusive SD cards for 4GB	FCU8-SD004G	4GB capacity	○	○	○	○	○
[Durable Parts]							
Battery for control unit	Q6BAT	Battery cumulative data holding time: 45,000 hours (At 0 to 45°C. The life will be shorter if the temperature is high.) Battery life: Approx. 5 years (from date of battery manufacture)	○	○	○	○	○
[IoT Unit]							
Remote service gateway unit	FCU8-RT601	For details of a remote service gateway unit, refer to "Remote Service IQ Care Remote4U User's Manual" (IB-1501552).	-	-	-	-	○

DI: Digital input signals, DO: Digital output signals, AI: Analog input signals, AO: Analog output signals
(*1) This is required when FCU8-EX56x/FCU8-EX744 is used in M800VS/M80V series.

[C80 Series]

MELSEC iQ-R Series modules

Table listing MELSEC iQ-R Series modules. Columns include Product, Model, Model code, and Remarks. Modules include PLC CPU, SD memory card, Extended SRAM cassette, Main base, Extension base, RQ extension base, Extension cable, Power supply, Input, Output, I/O combined, Connector, Spring clamp terminal block, Connector/terminal block conversion module, Connector/terminal block conversion module (cable), Relay terminal module, Analog input, Analog output, and Temperature control.

Table listing MELSEC Q Series modules. Columns include Product, Model, Model code, and Remarks. Modules include High-speed counter, Ethernet, Serial communication, MES Interface, CC-Link IE Control, CC-Link IE Field, CC-Link, CC-Link Remote I/O module, DeviceNet, PROFIBUS-DP, and EtherNet/IP.

MELSEC Q Series modules

Table listing MELSEC Q Series modules. Columns include Product, Model, Model code, and Remarks. Modules include Extension base, Extension cable, Power supply, Output, Analog output, and MELSECNET/H.

Peripheral unit

Table listing peripheral units. Columns include Product, Model, and Remarks. Units include Dual signal module, Signal splitter, and FL-net (OPCN-2) Interface module.

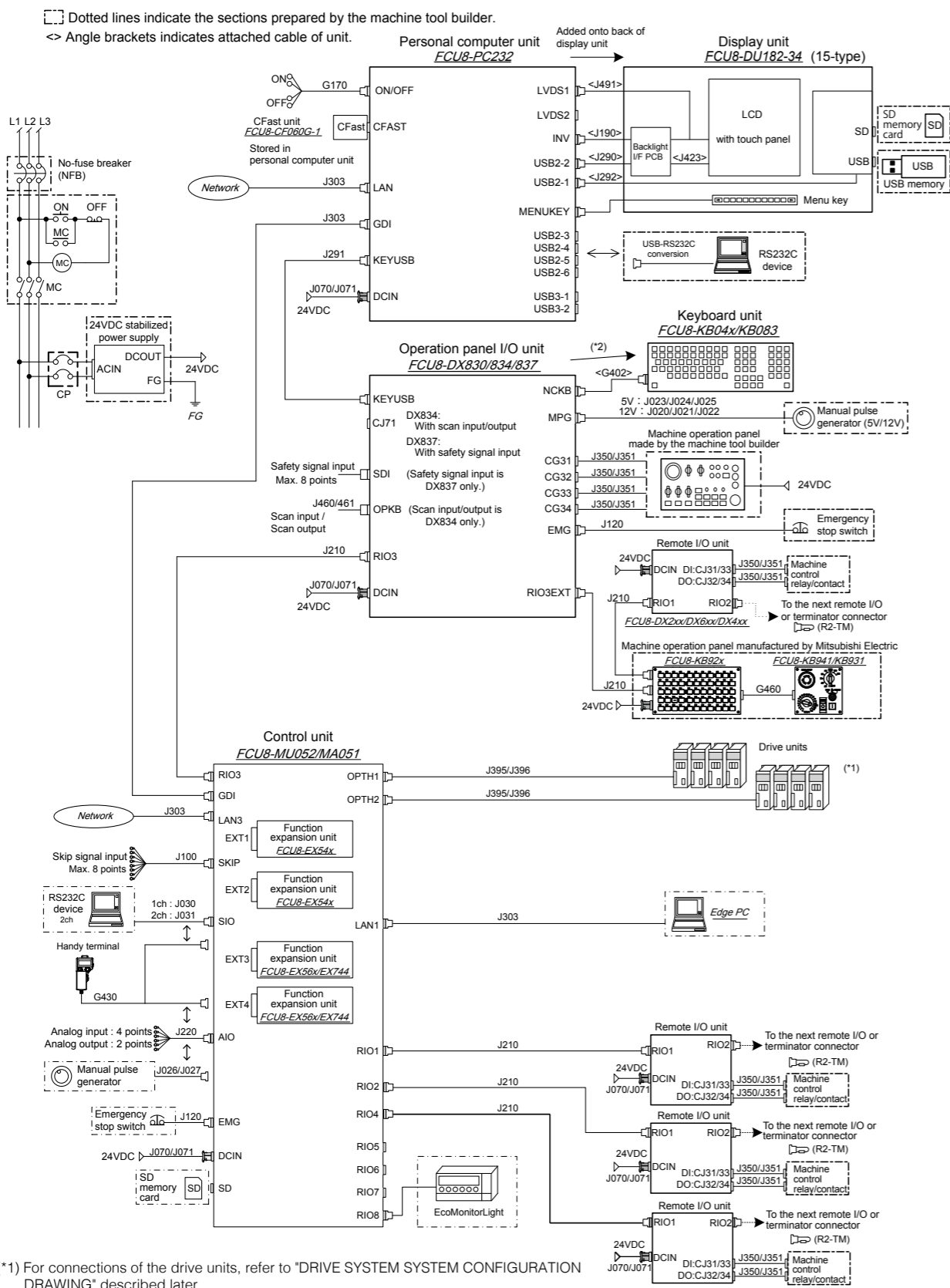
Parts

Table listing parts. Columns include Product, Model, and Remarks. Parts include Manual pulse generator, Encoder, and Grounding plate.

CNC SYSTEM GENERAL CONNECTION DIAGRAM

1. M800VW Series Windows-based Display Unit (15-type)

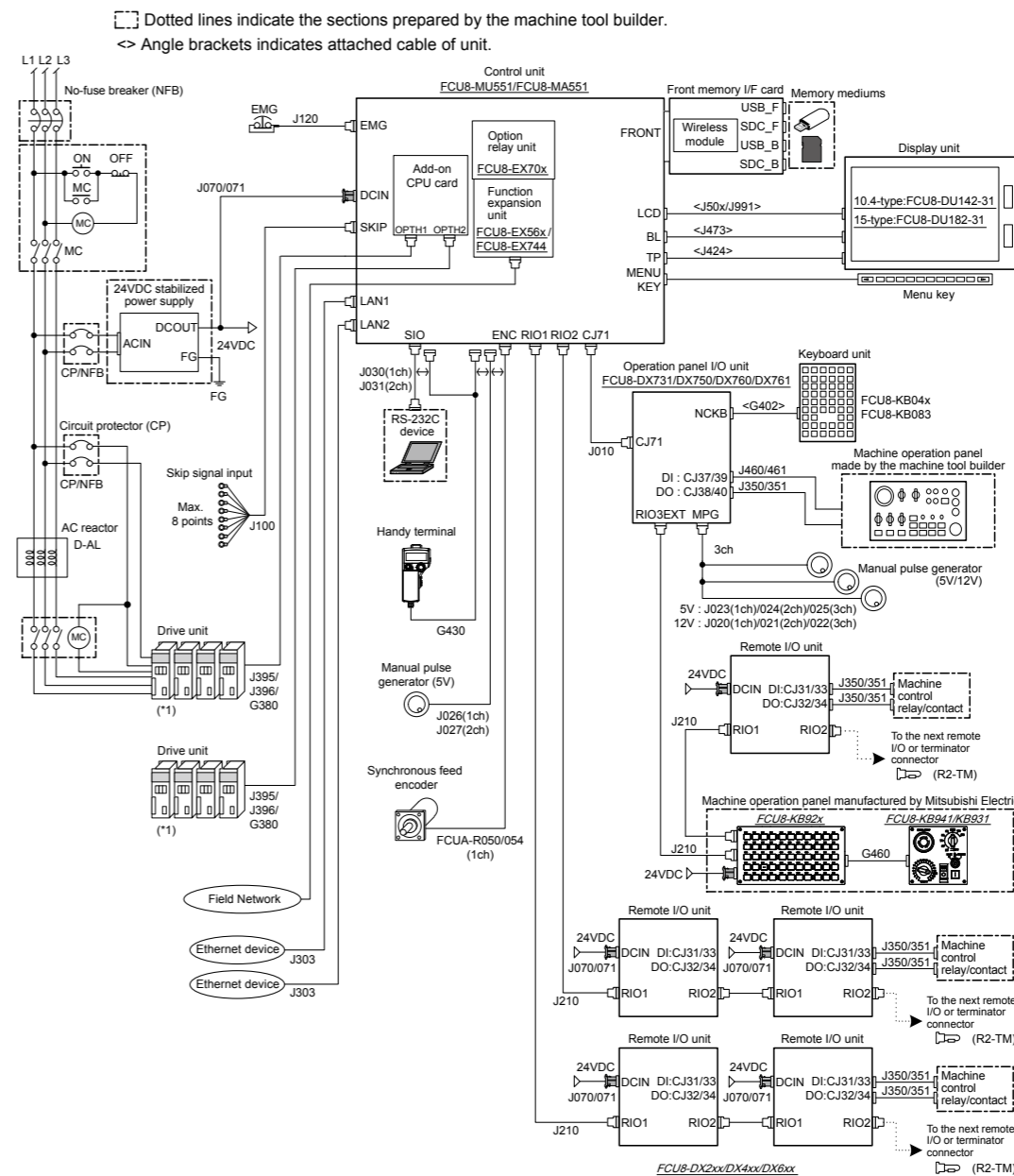
* Refer to "6. 19-type Display Unit (M800VW/M80VW Series Windows-based Display Unit)" described later for details on the connection with the 19-type display unit.



(*1) For connections of the drive units, refer to "DRIVE SYSTEM SYSTEM CONFIGURATION DRAWING" described later.
 (*2) When using a keyboard unit, install the operation panel I/O unit on the back of the keyboard unit.
 (*3) For details of the cable and the connector, refer to "CNC SYSTEM CABLES LIST" described later.
 (*4) Q6BAT can be connected to the control unit for backup use.
 (*5) Refer to "9. Connecting a Laser I/F Unit" described later for details of the connection with the laser I/F unit.
 (*6) Refer to "14. Connecting a Remote Service Gateway Unit" described later for details on the connection with the remote service gateway unit.

2. M800VS Series (10.4-type Display Unit and 15-type Display Unit)

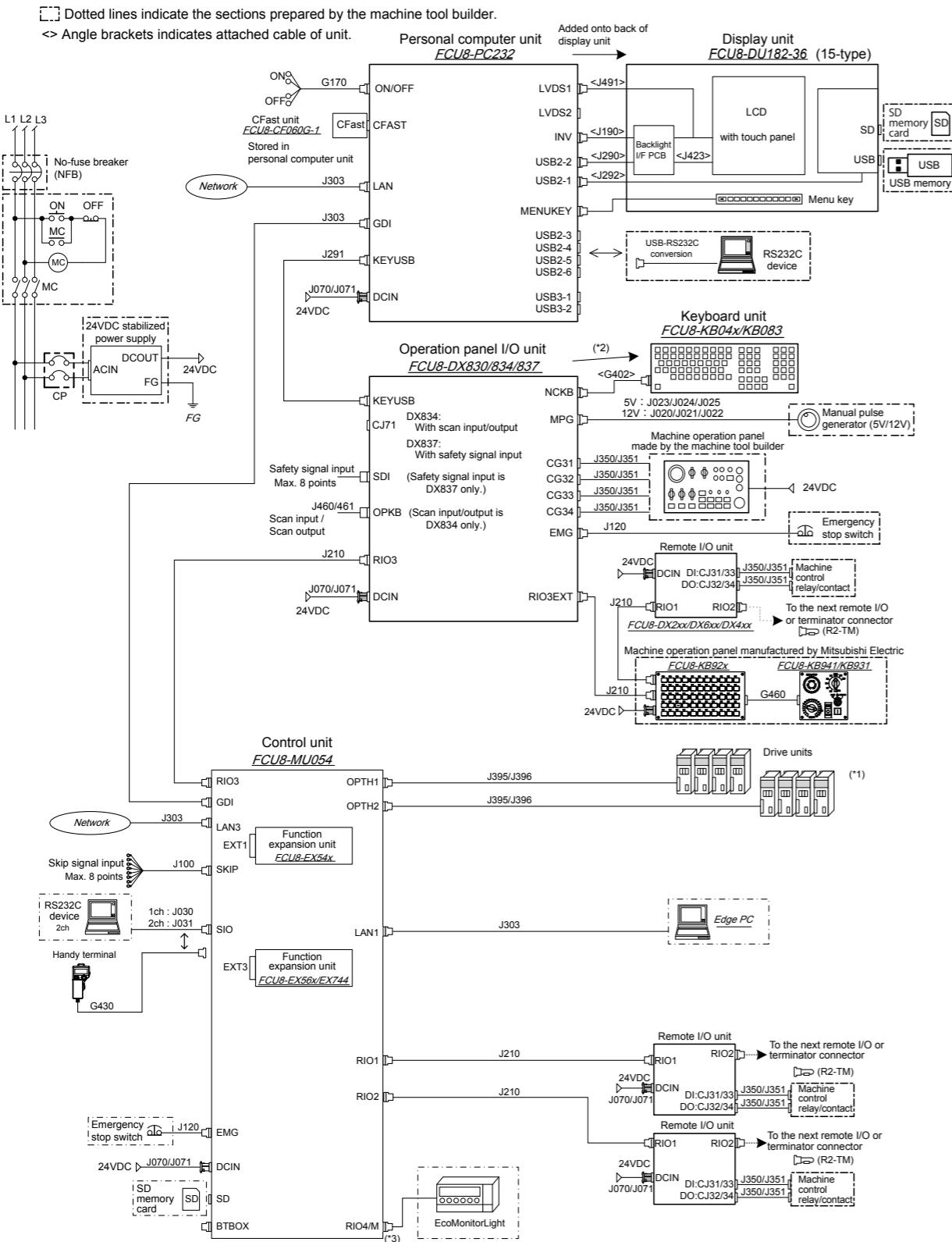
* Refer to "7. 19-type Display Unit (M800VS/M80V Series)" described later for details on the connection with the 19-type display unit.



(*1) For connections of the drive units, refer to "DRIVE SYSTEM SYSTEM CONFIGURATION DRAWING" described later.
 (*2) For details of the cable and the connector, refer to "CNC SYSTEM CABLES LIST" described later.
 (*3) Q6BAT can be connected to the control unit for backup use.
 (*4) Refer to "8. Connecting an Image Input Expansion Unit" described later for details on the connection with the image input expansion unit.
 (*5) Refer to "9. Connecting a Laser I/F Unit" described later for details of the connection with the laser I/F unit.
 (*6) Refer to "10. Connecting an EcoMonitorLight" described later for details on the connection with the EcoMonitorLight.
 (*7) Refer to "11. Connecting an Operation I/O Unit (FCU8-DX834)" described later for details of the connection with the operation board I/O unit (FCU8-DX834).
 (*8) Refer to "13. Connecting a BiSS Encoder" described later for details on the connection with the BiSS encoder.
 (*9) Refer to "14. Connecting a Remote Service Gateway Unit" described later for details on the connection with the remote service gateway unit.

3. M80VW Series Windows-based Display Unit (15-type)

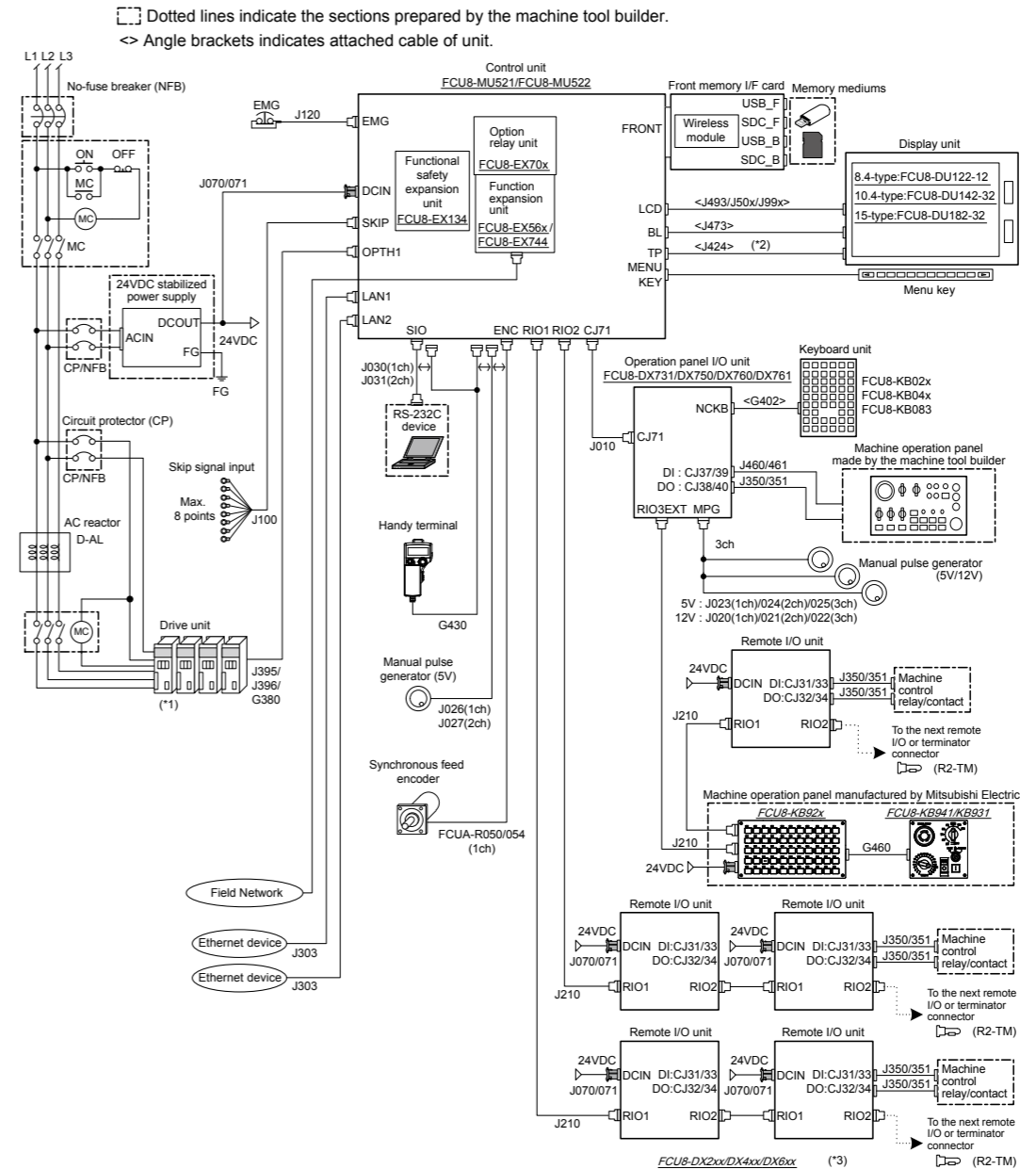
* Refer to "6. 19-type Display Unit (M800VW/M80VW Series Windows-based Display Unit)" described later for details on the connection with the 19-type display unit.



(*1) For connections of the drive units, refer to "DRIVE SYSTEM SYSTEM CONFIGURATION DRAWING" described later.
 (*2) When using a keyboard unit, install the operation panel I/O unit on the back of the keyboard unit. *FCU8-DX2xx/DX4xx* Max. 32 units for each port.
 (*3) Remote I/O unit can be connected to RIO4/M.
 (*4) For details of the cable and the connector, refer to "CNC SYSTEM CABLES LIST" described later.
 (*5) Q6BAT can be connected to the control unit for backup use.
 (*6) Refer to "9. Connecting a Laser I/F Unit" described later for details of the connection with the laser I/F unit.
 (*7) Refer to "14. Connecting a Remote Service Gateway Unit" described later for details on the connection with the remote service gateway unit.

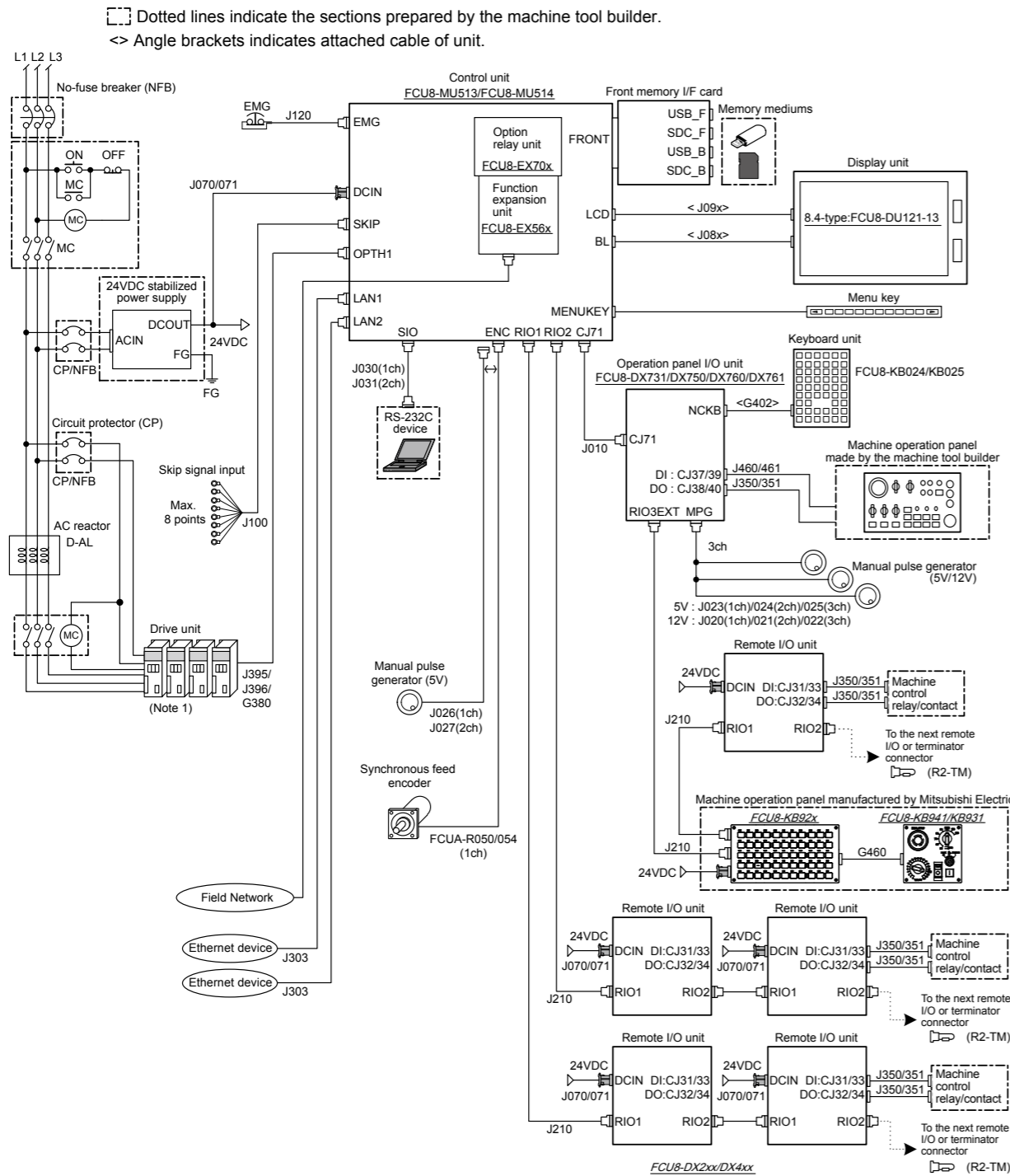
4. M80V Series (8.4-type Display Unit, 10.4-type Display Unit, and 15-type Display Unit)

* Refer to "7. 19-type Display Unit (M800VS/M80V Series)" described later for details on the connection with the 19-type display unit.
 * The general connection diagram with smart safety observation function is as below.
 Without smart safety observation function, functional safety expansion unit will not be installed in the control unit.



(*1) For connections of the drive units, refer to "DRIVE SYSTEM SYSTEM CONFIGURATION DRAWING" described later.
 (*2) The 8.4-type display unit is incompatible with the touchscreen. TP connector is not used.
 (*3) The safety remote I/O unit is available only when the functional safety expansion unit is mounted.
 (*4) For details of the cable and the connector, refer to "CNC SYSTEM CABLES LIST" described later.
 (*5) Q6BAT can be connected to the control unit for backup use.
 (*6) Refer to "8. Connecting an Image Input Expansion Unit" described later for details on the connection with the image input expansion unit.
 (*7) Refer to "9. Connecting a Laser I/F Unit" described later for details of the connection with the laser I/F unit.
 (*8) Refer to "10. Connecting an EcoMonitorLight" described later for details on the connection with the EcoMonitorLight.
 (*9) Refer to "11. Connecting an Operation I/O Unit (FCU8-DX834)" described later for details of the connection with the operation board I/O unit (FCU8-DX834).
 (*10) Refer to "12. Connecting a Pulse-controlled Inverter" described later for details on the connection with the pulse-controlled inverter.
 (*11) Refer to "13. Connecting a BiSS Encoder" described later for details on the connection with the BiSS encoder.
 (*12) Refer to "14. Connecting a Remote Service Gateway Unit" described later for details on the connection with the remote service gateway unit.

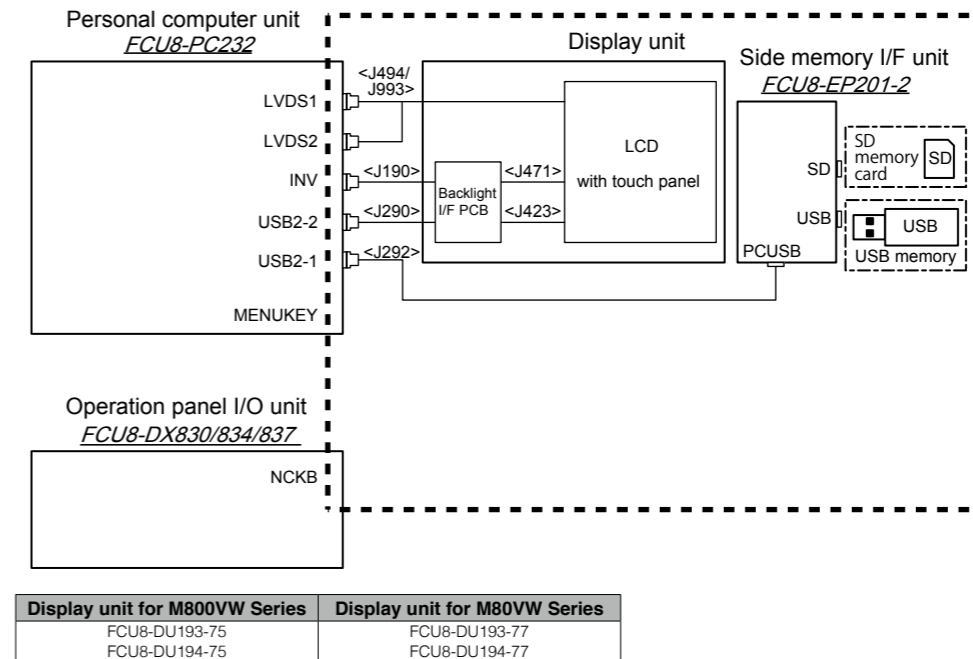
5. E80 Series



(*1) For connections of the drive units, refer to "DRIVE SYSTEM SYSTEM CONFIGURATION DRAWING" described later.
 (*2) For details of the cable and the connector, refer to "CNC SYSTEM CABLES LIST" described later.
 (*3) Q6BAT can be connected to the control unit for backup use.
 (*4) Refer to "11. Connecting an Operation I/O Unit (FCU8-DX834)" described later for details of the connection with the operation board I/O unit (FCU8-DX834).
 (*5) Refer to "12. Connecting a Pulse-controlled Inverter" described later for details on the connection with the pulse-controlled inverter.
 (*6) Refer to "13. Connecting a BiSS Encoder" described later for details on the connection with the BiSS encoder.
 (*7) Refer to "14. Connecting a Remote Service Gateway Unit" described later for details on the connection with the remote service gateway unit.

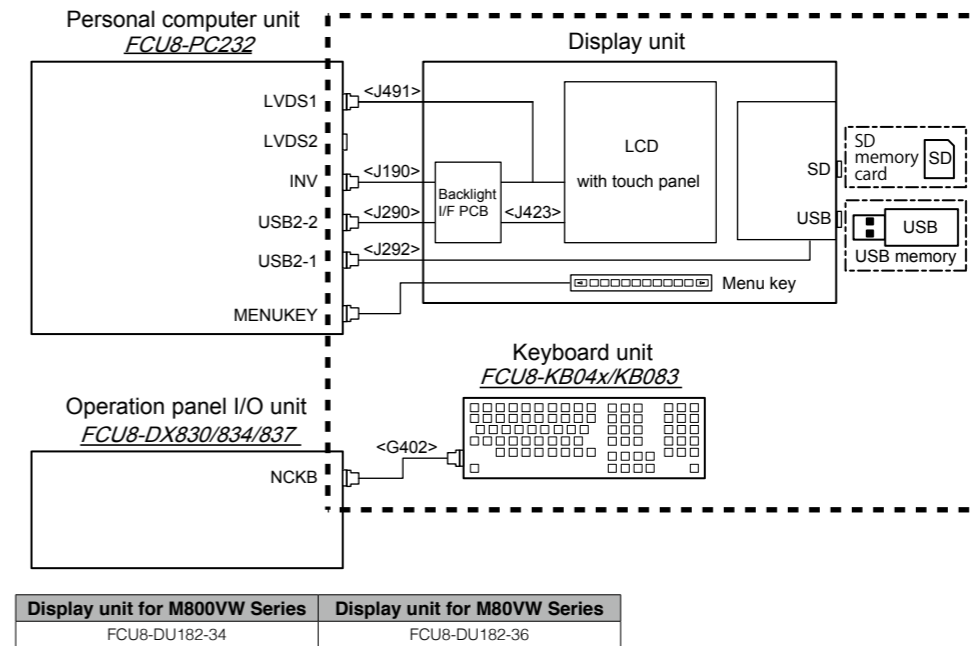
6. 19-type Display Unit (M800VW/M80VW Series Windows-based Display Unit)

Dotted lines indicate the sections which is different from the 15-type display unit in the 19-type display unit.



(*1) The personal computer unit is installed on the back of the display unit.

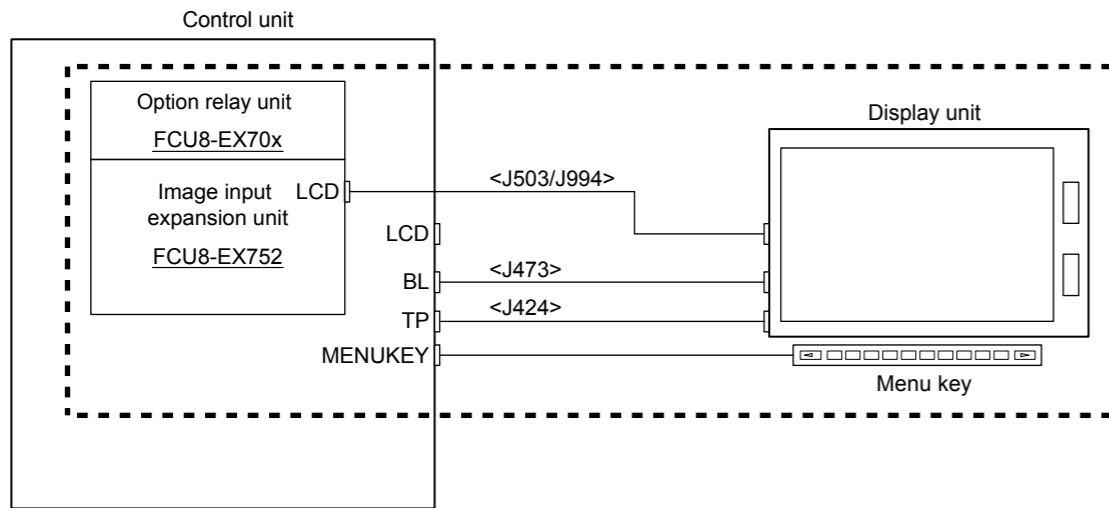
(Reference) 15-type display unit



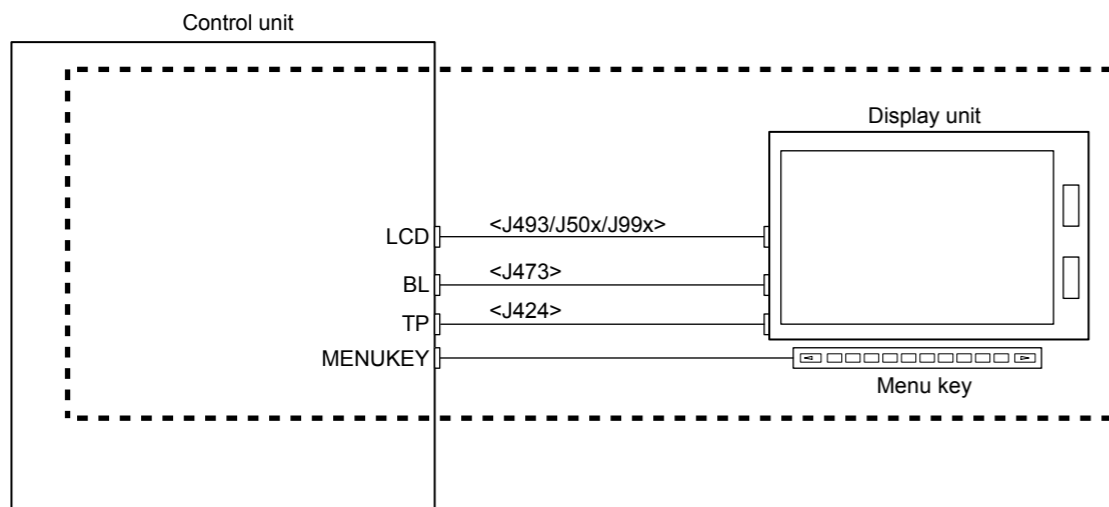
(*1) The personal computer unit is installed on the back of the display unit.
 (*2) The operation board I/O unit is installed on the back of the keyboard unit.

7. 19-type Display Unit (M800VS/M80V Series)

Dotted lines indicate the sections which is different from the other display units (8.4-type, 10.4-type, and 15-type) in the display unit (19-type). To connect the 19-type display unit to the CNC, an image input expansion unit is required.



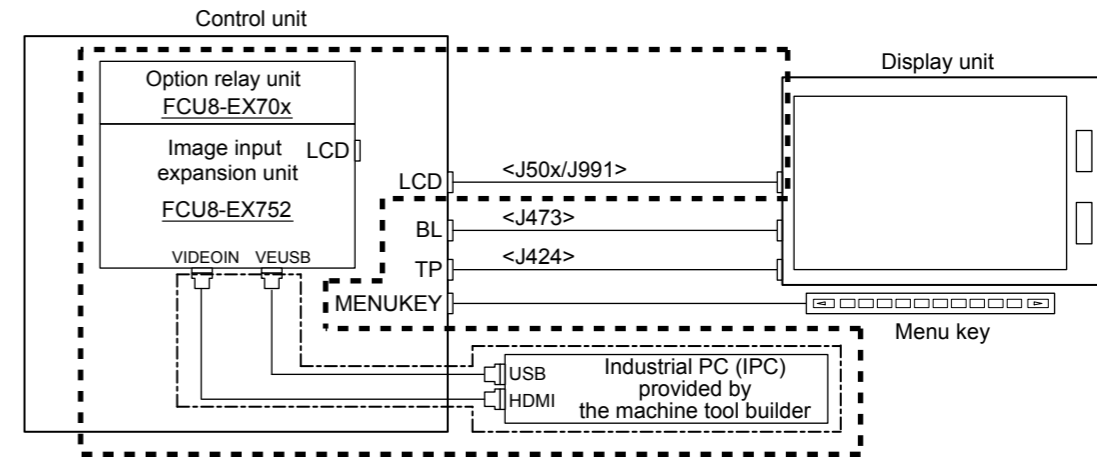
(Reference) Other display units (8.4-type, 10.4-type, and 15-type)



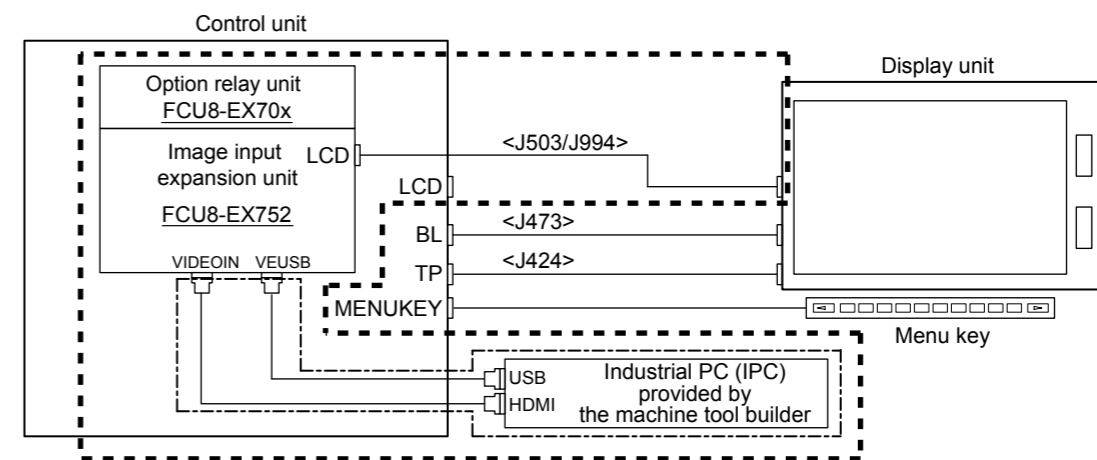
8. Connecting an Image Input Expansion Unit (M800VS/M80V Series)

Some connections differ depending on the display unit type.

■10.4-type display unit and 15-type display unit

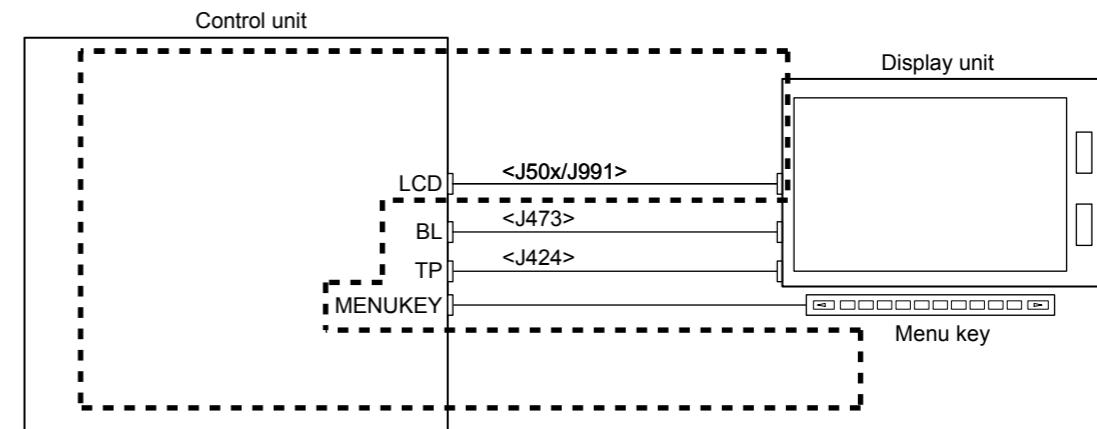


■19-type display unit



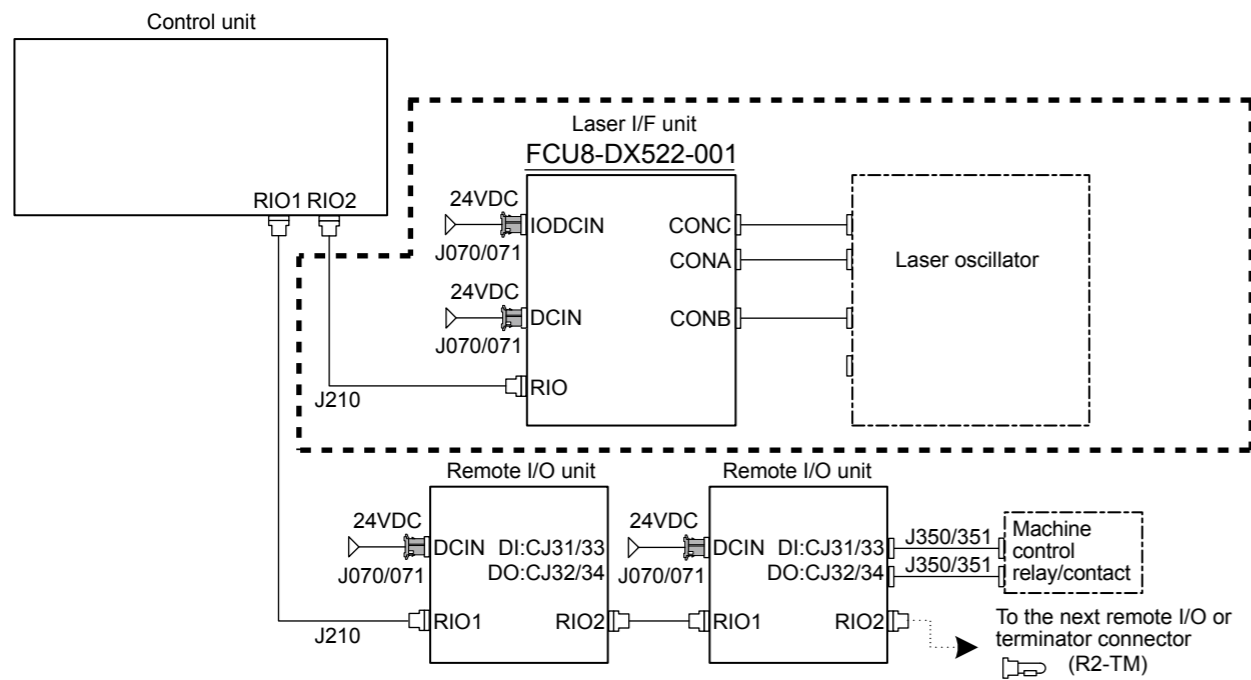
(*1) 8.4-type display unit does not support the image input expansion unit.

(Reference) Connection without the image input expansion unit



9. Connecting a Laser I/F Unit (M800VW/M800VS/M80VW/M80V Series)

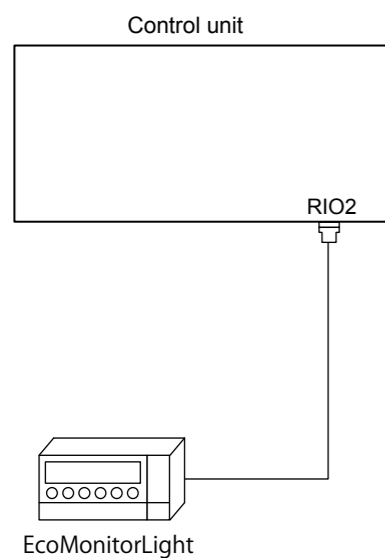
Connect the laser I/F unit to any of RIO1, RIO2 and RIO4^(*) of the control unit.
The following figure shows an example of connecting the laser I/F unit to RIO2 on M800VS/M80V.



(*1) The laser I/F unit occupies all one channel; therefore, a remote I/O unit cannot be connected before or after the laser I/F unit.
(*2) RIO4 can be used for M800VW/M80VW Series only.

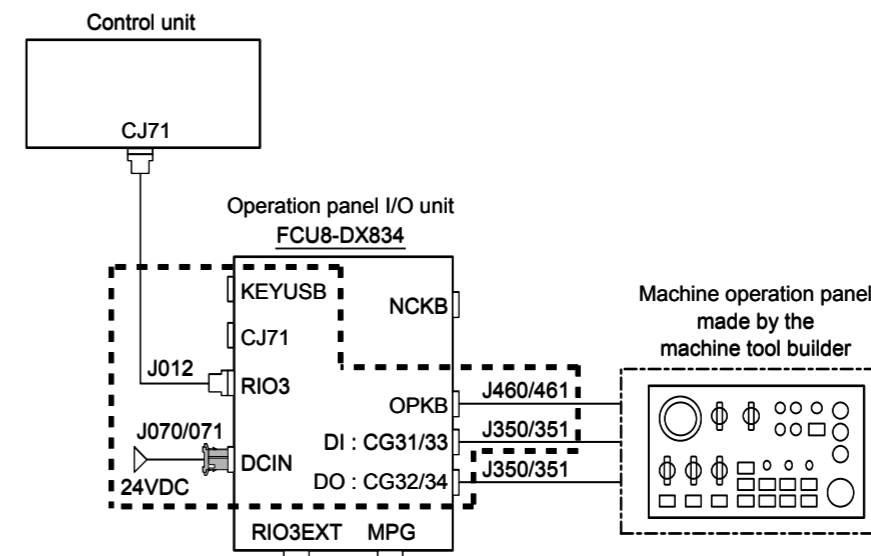
10. Connecting an EcoMonitorLight (M800VS/M80V Series)

Connect the EcoMonitorLight to RIO2 of the control unit.

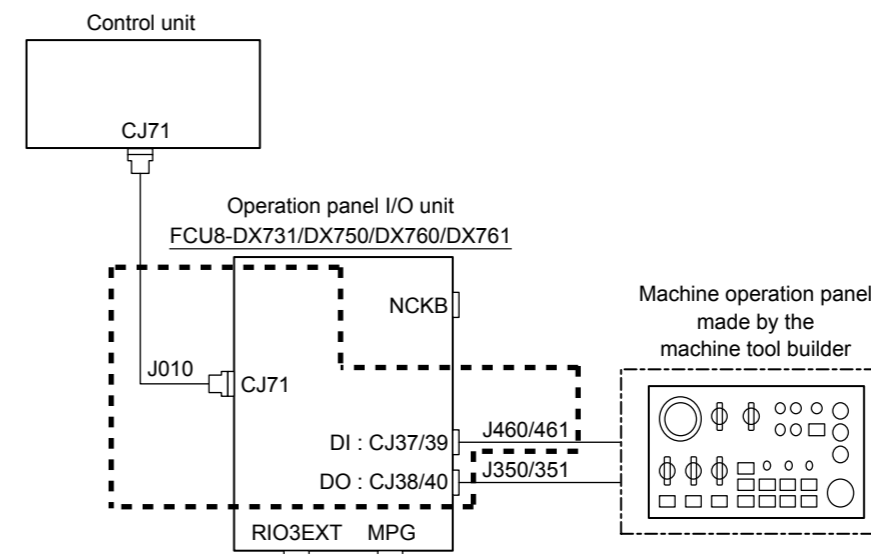


11. Connecting an Operation Board I/O Unit (FCU8-DX834)(M800VS/M80V/E80 Series)

Dotted lines indicate the sections which is different from the FCU8-DX731/DX750/DX760/DX761 units in FCU8-DX834 units.

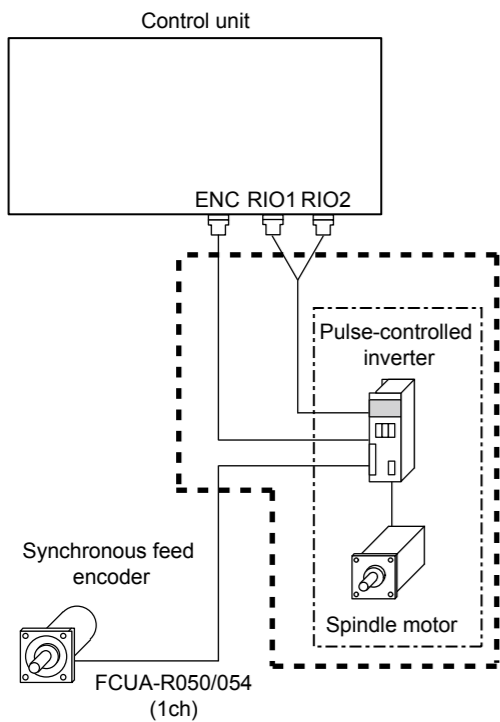


(Reference) FCU8-DX731/DX750/DX760/DX761



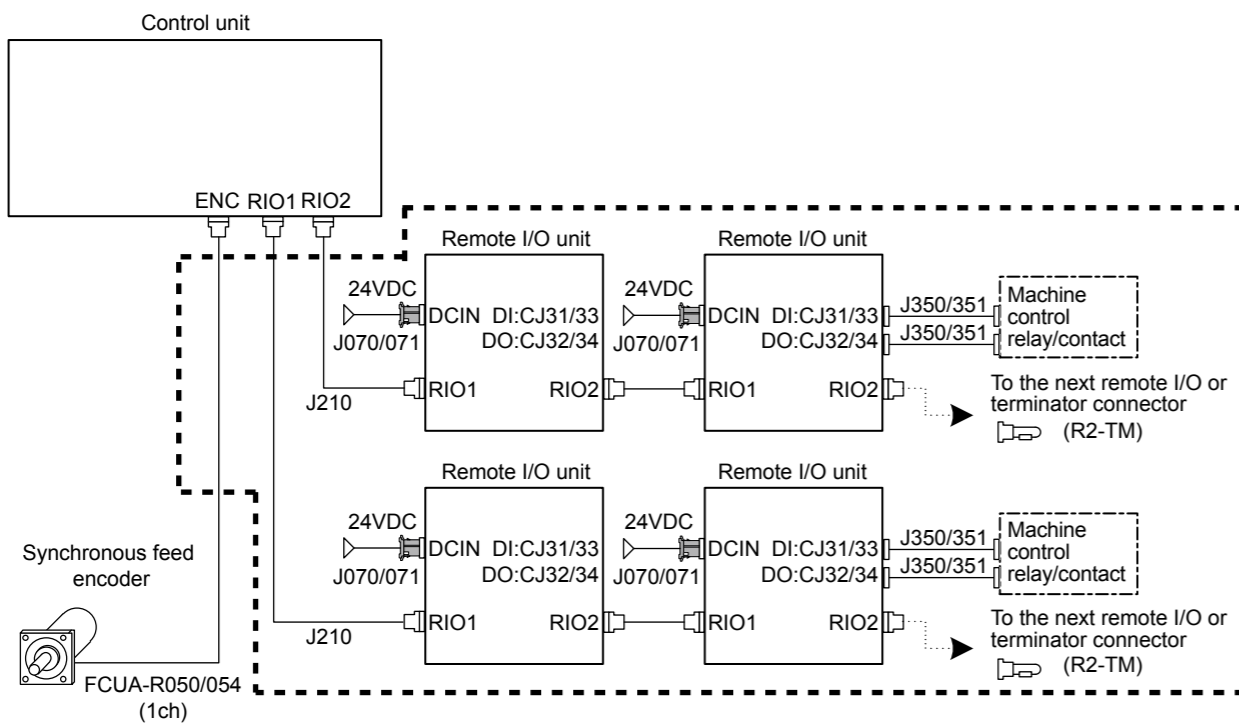
12. Connecting a Pulse-controlled Inverter (M80V/E80 series)

Pulse-controlled inverter refers to an inverter capable of controlling spindle operation through pulse train input. Connect a pulse-controlled inverter to the RIO1 and RIO2 of the control unit. Dotted lines in the figures below indicate the different sections.



(*1) When the pulse-controlled inverter is connected, the remote I/O unit cannot be connected to the either of the RIO1 connector or the RIO2 connector.

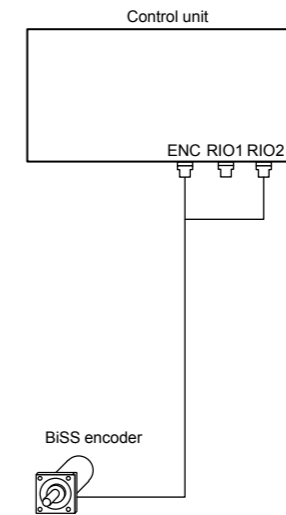
(Reference) ENC/RIO1/RIO2 when the spindle drive unit is connected



(*1) To connect a spindle drive unit, connect a synchronous feed encoder directly to the ENC connector of the control unit.

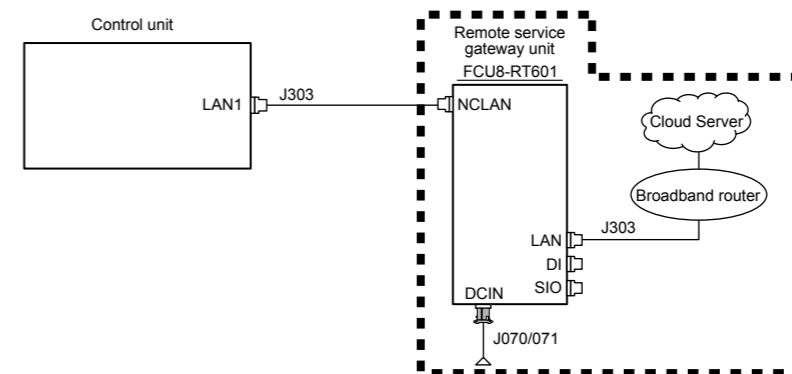
13. Connecting a BiSS Encoder (M800VS/M80V/E80 Series)

BiSS encoder refers to an encoder compatible with BiSS-C. Connect the BiSS encoder to the ENC connector and the RIO2 connector of the control unit.

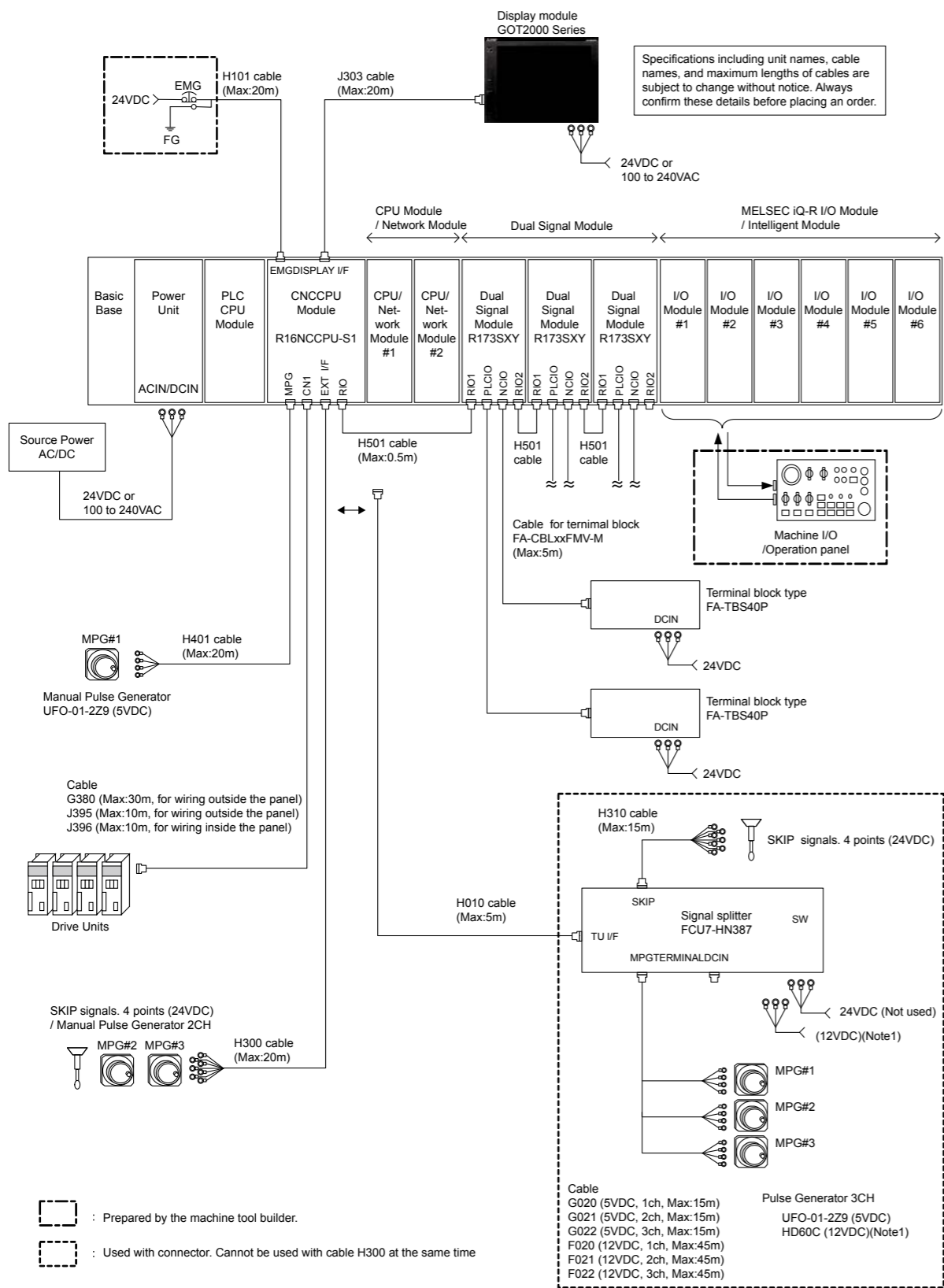


14. Connecting a Remote Service Gateway Unit (M800VW/M800VS/M80VW/M80V/E80 Series)

Connect the remote service gateway unit to the LAN1/LAN2 of the control unit. The following figure shows an example of connecting the remote service gateway unit to LAN1.



15. C80 Series



CNC SYSTEM LIST OF CABLES

[M800V/M80V/E80 Series]

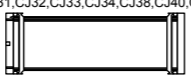
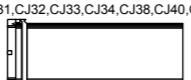
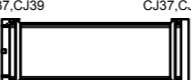

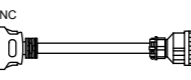
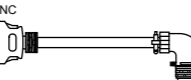
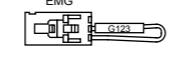
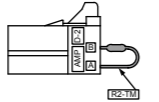
Application	Type	Length (m)	Contents	Supported model				
				M800VW	M800VS	M80VW	M80V	E80
(1) Connection cable between personal computer unit and operation panel I/O unit	J291 L0.15M	0.15		○	—	○	—	—
	J291 L0.5M	0.5						
	J291 L1.0M	1						
(2) 24VDC relay cable for machine operation panel	G071 L0.12M	0.12		○	○	○	○	○
	G071 L0.5M	0.5						
	G071 L1M	1						
(3) ON/OFF switch cable (ON/OFF switch - Personal computer unit) (for Windows-based display unit)	G170 L1M	1		○	—	○	—	—
	G170 L2M	2						
	G170 L3M	3						
	G170 L5M	5						
	G170 L10M	10						
(4) Cable for connection to handy terminal	G430 3M	3		○	○	○	○	○
	G430 5M	5						
	G430 10M	10						
	G460 0.5M	0.5						
(5) Cable for machine operation panel (Cable between main panel and sub panel)	G460 0.5M	0.5		○	○	○	○	○
(6) Analog output cable	J220 L2M	2		○	—	—	—	—
	J220 L3M	3						
	J220 L7M	7						
(7) Analog input/output cable (for remote I/O unit)	J221 L2M	2		○	○	○	○	○
	J221 L3M	3						
	J221 L7M	7						
(8) Analog input/output cable (for operation panel I/O unit)	J224 L1M	1		—	○	—	○	○
	J224 L2M	2						
	J224 L3M	3						
	J224 L5M	5						
	J224 L7M	7						
	J224 L10M	10						
	J224 L15M	15						
(9) Analog output cable (for operation panel I/O unit)	J225 L1M	1		—	○	—	○	○
	J225 L2M	2						
	J225 L3M	3						
	J225 L5M	5						
	J225 L7M	7						
	J225 L10M	10						
	J225 L15M	15						
(10) Manual pulse generator cable (12V) : 1ch	J020 L1M	1		○	○	○	○	○
	J020 L2M	2						
	J020 L3M	3						
	J020 L5M	5						
	J020 L7M	7						
	J020 L10M	10						
	J020 L15M	15						
	J020 L20M	20						
	J020 L30M	30						

(Note 1) HD60C (12VDC) requires another power source 12VDC.


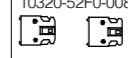
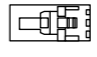
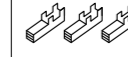
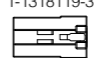


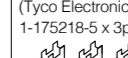
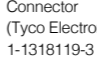
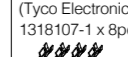
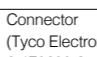
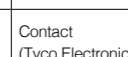


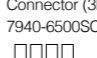
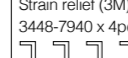

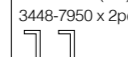
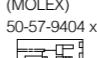
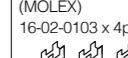
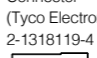


(Note 2) A CPU module can be mounted on the CPU slot of the base unit or the slot No. 0 to 6. A slot between CPU modules can be left empty for reservation. Note that you cannot mount an I/O module or intelligent function module on a slot between CPU modules.

Application	Type	Length (m)	Contents	Supported model				
				M800VW	M800VS	M80VW	M80V	E80
(11) Manual pulse generator cable (12V) : 2ch	J021 L1M	1		○	○	○	○	○
	J021 L2M	2						
	J021 L3M	3						
	J021 L5M	5						
	J021 L7M	7						
	J021 L10M	10						
	J021 L15M	15						
	J021 L20M	20						
(12) Manual pulse generator cable (12V) : 3ch	J022 L1M	1		○	○	○	○	○
	J022 L2M	2						
	J022 L3M	3						
	J022 L5M	5						
	J022 L7M	7						
	J022 L10M	10						
	J022 L15M	15						
	J022 L20M	20						
(13) Manual pulse generator cable (5V) : 1ch	J023 L1M	1		○	○	○	○	○
	J023 L2M	2						
	J023 L3M	3						
	J023 L5M	5						
	J023 L7M	7						
	J023 L10M	10						
	J023 L15M	15						
	J023 L20M	20						
(14) Manual pulse generator cable (5V) : 2ch	J024 L1M	1		○	○	○	○	○
	J024 L2M	2						
	J024 L3M	3						
	J024 L5M	5						
	J024 L7M	7						
	J024 L10M	10						
	J024 L15M	15						
	J024 L20M	20						
(15) Manual pulse generator cable (5V) : 3ch	J025 L1M	1		○	○	○	○	○
	J025 L2M	2						
	J025 L3M	3						
	J025 L5M	5						
	J025 L7M	7						
	J025 L10M	10						
	J025 L15M	15						
	J025 L20M	20						
(16) Manual pulse generator cable (5V) : 1ch (for connection to control unit)	J026 L1M	1		○	○	○	○	○
	J026 L2M	2						
	J026 L3M	3						
	J026 L5M	5						
	J026 L7M	7						
	J026 L10M	10						
	J026 L15M	15						
	J026 L20M	20						
(17) Manual pulse generator cable (5V) : 2ch (for connection to control unit)	J027 L1M	1		○	○	○	○	○
	J027 L2M	2						
	J027 L3M	3						
	J027 L5M	5						
	J027 L7M	7						
	J027 L10M	10						
	J027 L15M	15						
	J027 L20M	20						
(18) RS-232C I/F cable: 1ch (for control unit)	J030 L1M	1		○	○	○	○	○
	J030 L2M	2						
	J030 L3M	3						
	J030 L5M	5						
	J030 L7M	7						
	J030 L10M	10						

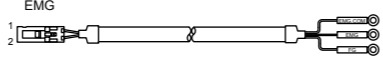
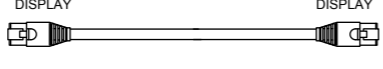
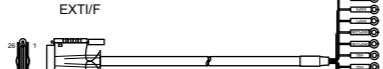
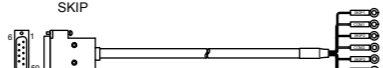
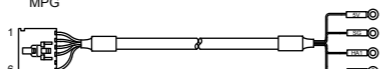
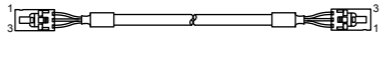
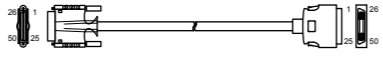
Application	Type	Length (m)	Contents	Supported model											
				M800VW	M800VS	M80VW	M80V	E80							
(19) RS-232C I/F cable: 2ch (for control unit)	J031 L1M	1		○	○	○	○	○							
	J031 L2M	2													
	J031 L3M	3													
	J031 L5M	5													
	J031 L7M	7													
	J031 L10M	10													
	(20) 24VDC power cable	J070 L1M							1		○	○	○	○	○
J070 L2M		2													
J070 L3M		3													
J070 L5M		5													
J070 L7M		7													
J070 L10M		10													
J070 L15M		15													
J071 L20M (for long distance)		20													
(21) SKIP input cable	J100 L1M	1		○	○	○	○	○							
	J100 L2M	2													
	J100 L3M	3													
	J100 L5M	5													
	J100 L7M	7													
	J100 L10M	10													
	J100 L15M	15													
	J100 L20M	20													
	(22) Emergency stop cable	J120 L1M							1		○	○	○	○	○
		J120 L2M							2						
J120 L3M		3													
J120 L5M		5													
J120 L7M		7													
J120 L10M		10													
J120 L15M		15													
J120 L20M		20													
J120 L30M		30													
(23) Emergency stop cable for MITSUBISHI CNC machine operation panel		J121 L1M	1		○	○	○	○	○						
		J121 L2M	2												
	J121 L3M	3													
	J121 L5M	5													
	J121 L7M	7													
	J121 L10M	10													
	J121 L15M	15													
	J121 L20M	20													
	J121 L30M	30													
	(24) Remote I/O 2.0 communication cable	J210 L0.3M	0.3								○	○	○	○	○
J210 L1M		1													
J210 L2M		2													
J210 L3M		3													
J210 L5M		5													
J210 L7M		7													
J210 L10M		10													
J210 L15M		15													
J210 L20M		20													
J210 L30M		30													
(25) LAN straight cable	J303 L1M	1		○	○	○	○	○							
	J303 L2M	2													
	J303 L3M	3													
	J303 L5M	5													
	J303 L7M	7													
	J303 L10M	10													
	J303 L15M	15													
	J303 L20M	20													
J303 L30M	30														

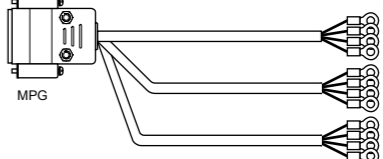
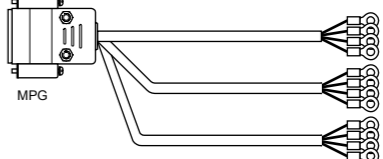
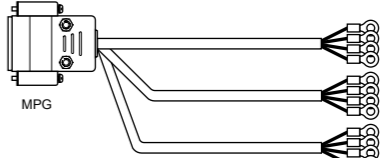
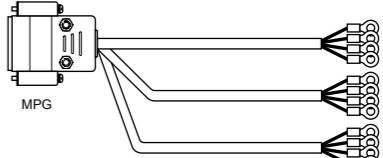
	Application	Type	Length (m)	Contents	Supported model				
					M800VW	M800VS	M80VW	M80V	E80
(26)	DI/DO cable (connectors at both ends)	J350 L1M	1	 M800W/M80W-CJ31,CJ32,CJ33,CJ34,CG31,CG32,CG33,CG34 M800S/M80-CJ31,CJ32,CJ33,CJ34,CJ38,CJ40,CJ42	○	○	○	○	○
		J350 L2M	2						
		J350 L3M	3						
		J350 L5M	5						
(27)	DI/DO cable (connector at one end)	J351	3	 M800W/M80W-CJ31,CJ32,CJ33,CJ34,CG31,CG32,CG33,CG34 M800S/M80-CJ31,CJ32,CJ33,CJ34,CJ38,CJ40,CJ42	○	○	○	○	○
(28)	DI/DO cable (connectors at both ends) (for operation panel I/O unit)	J460 L1M	1	 CJ37,CJ39 CJ37,CJ39	—	○	—	○	○
		J460 L2M	2						
		J460 L3M	3						
		J460 L5M	5						
(29)	DI/DO cable (connector at one end) (for operation panel I/O unit)	J461	3	 CJ37,CJ39	—	○	—	○	○
(30)	Synchronous encoder - control unit (straight, with connector) (for FCU8-EX544 (M800W/M80W))	FCUA-R050-5M	5	 ENC	○	○	○	○	○
(31)	Synchronous encoder - control unit (right angle, with connector) (for FCU8-EX544 (M800W/M80W))	FCUA-R054-3M	3	 ENC	○	○	○	○	○
		FCUA-R054-5M	5						
		FCUA-R054-10M	10						
		FCUA-R054-15M	15						
		FCUA-R054-20M	20						
(32)	Cable for emergency stop release	G123	—	 EMG	○	○	○	○	○
(33)	Terminator for remote I/O interface	R2-TM	—	 One terminator is required to be installed at the final end of remote IO unit.	○	○	○	○	○

■Cable connector sets for CNC

	Application	Type	Contents	Supported model				
				M800W	M800S	M80W	M80	E80
(1)	General I/O units (for SKIP,SIO,MPG,AIO)	FCUA-CS000	Connector (3M) 10120-3000PE x 2pcs.  Shell kit (3M) 10320-52F0-008 x 2pcs. 	○	○	○	○	○
(2)	Emergency stop connector (for EMG)	005057-9403 16-02-0103	Connector (MOLEX) 50-57-9403 x 1pc.  Gold contact (MOLEX) 16-02-0103 x 3pcs. 	○	○	○	○	○
(3)	Connector kit for RIO2.0 unit	RIO2 CON	Connector (Tyco Electronics) 1-1318119-3 x 2pcs.  Contact (Tyco Electronics) 1318107-1 x 8pcs. 	○	○	○	○	○
			Connector (Tyco Electronics) 2-178288-3 x 1pc.  Contact (Tyco Electronics) 1-175218-5 x 3pcs. 					
(4)	Connector kit for laser I/F	RIOL-CON	Connector (Tyco Electronics) 1-1318119-3 x 2pcs.  Contact (Tyco Electronics) 1318107-1 x 8pcs. 	○	○	○	○	—
			Connector (Tyco Electronics) 2-178288-3 x 2pcs.  Contact (Tyco Electronics) 1-175218-5 x 6pcs. 					
(5)	24VDC power supply connector (for DCIN)	FCUA-CN220	Connector (Tyco Electronics) 2-178288-3 x 1pc.  Contact (Tyco Electronics) 1-175218-5 x 3pcs. 	○	○	○	○	○
(6)	DI/DO connector (for operation panel I/O unit) (for remote I/O unit)	7940-6500SC 3448-7940	Connector (3M) 7940-6500SC x 4pcs.  Strain relief (3M) 3448-7940 x 4pcs. 	○	○	○	○	○
(7)	DI connector (for operation panel I/O unit)	7950-6500SC 3448-7950	Connector (3M) 7950-6500SC x 2pcs.  Strain relief (3M) 3448-7950 x 2pcs. 	○	○	○	○	○
(8)	ON/OFF switch connector	005057-9404 16-02-0103	Connector (MOLEX) 50-57-9404 x 1pc.  Contact (MOLEX) 16-02-0103 x 4pcs. 	○	—	○	—	—
(9)	CJ71 connector	2-1318119-4 1318107-1	Connector (Tyco Electronics) 2-1318119-4 x 1pc.  Contact (Tyco Electronics) 1318107-1 x 8pcs. 	—	○	—	○	○
(10)	THERMISTOR connector (for thermistor input unit)	37104-2165-000FL 10P	Connector (3M) 37104-2165-000FL x 10pcs. 	○	○	○	○	○

[C80 Series]

Application	Type	Length (m)	Contents	Supported model
(1) Emergency stop cable	H101 L0.5M	0.5		Emergency stop input cable, maximum length: 20m
	H101 L1M	1		
	H101 L2M	2		
	H101 L3M	3		
	H101 L5M	5		
	H101 L7M	7		
	H101 L10M	10		
	H101 L15M	15		
	H101 L20M	20		
(2) Display communication cable (Shielded twisted pair cable)	J303 L1M	1		Display interface, maximum length: 20m
	J303 L2M	2		
	J303 L3M	3		
	J303 L5M	5		
	J303 L10M	10		
	J303 L15M	15		
	J303 L20M	20		
(3) Skip/manual pulse generator input cable (For CNC CPU unit)	H300 L0.5M	0.5		Skip/manual pulse generator input interface, maximum length: 20m (Note) This cable cannot be used together with the H010 cable.
	H300 L1M	1		
	H300 L2M	2		
	H300 L3M	3		
	H300 L5M	5		
	H300 L7M	7		
	H300 L10M	10		
	H300 L15M	15		
	H300 L20M	20		
(4) Skip input cable (For signal splitter)	H310 L0.5M	0.5		Skip input interface when signal splitter is used, maximum length: 15m
	H310 L1M	1		
	H310 L2M	2		
	H310 L3M	3		
	H310 L5M	5		
	H310 L7M	7		
	H310 L10M	10		
H310 L15M	15			
(5) Manual pulse generator cable (For CNC CPU unit)	H401 L0.5M	0.5		Manual pulse generator (1ch), maximum length: 20m (5V power supply type)
	H401 L1M	1		
	H401 L2M	2		
	H401 L3M	3		
	H401 L5M	5		
	H401 L7M	7		
	H401 L10M	10		
	H401 L15M	15		
	H401 L20M	20		
(6) Safety signal unit connection cable	H501 L0.1M	0.1		Between safety signal units, maximum length: 0.5m
	H501 L0.2M	0.2		
	H501 L0.3M	0.3		
	H501 L0.5M	0.5		
(7) Signal splitter connection cable	H010 L0.5M	0.5		Signal splitter connection cable, maximum length: 5m (Note) This cable cannot be used together with the H300 cable.
	H010 L1M	1		
	H010 L2M	2		
	H010 L3M	3		
	H010 L5M	5		

Application	Type	Length (m)	Contents	Supported model
(8) Manual pulse generator cable (For signal splitter)	F020 L0.5M	0.5		Manual pulse generator (1ch), maximum length: 45m (12V power supply type) 12V power supply separately necessary
	F020 L1M	1		
	F020 L2M	2		
	F020 L3M	3		
	F020 L5M	5		
	F020 L7M	7		
	F020 L10M	10		
	F020 L15M	15		
	F020 L20M	20		
	(9) Manual pulse generator cable (For signal splitter)	F021 L0.5M		
F021 L1M		1		
F021 L2M		2		
F021 L3M		3		
F021 L5M		5		
F021 L7M		7		
F021 L10M		10		
F021 L15M		15		
F021 L20M		20		
(10) Manual pulse generator cable (For signal splitter)		F022 L0.5M	0.5	
	F022 L1M	1		
	F022 L2M	2		
	F022 L3M	3		
	F022 L5M	5		
	F022 L7M	7		
	F022 L10M	10		
	F022 L15M	15		
	F022 L20M	20		
	(11) Manual pulse generator cable (For signal splitter)	G020 L0.5M	0.5	
G020 L1M		1		
G020 L2M		2		
G020 L3M		3		
G020 L5M		5		
G020 L7M		7		
G020 L10M		10		
G020 L15M		15		
(12) Manual pulse generator cable (For signal splitter)	G021 L0.5M	0.5		Manual pulse generator (2ch), maximum length: 15m (5V power supply type)
	G021 L1M	1		
	G021 L2M	2		
	G021 L3M	3		
	G021 L5M	5		
	G021 L7M	7		
	G021 L10M	10		
	G021 L15M	15		
(13) Manual pulse generator cable (For signal splitter)	G022 L0.5M	0.5		Manual pulse generator (3ch), maximum length: 15m (5V power supply type)
	G022 L1M	1		
	G022 L2M	2		
	G022 L3M	3		
	G022 L5M	5		
	G022 L7M	7		

DRIVE SYSTEM

•Drive units



High-performance Servo/Spindle Drive Units MDS-E/EH Series

- The servo control-dedicated core processor realizes improved control speed, leading to enhanced basic performance. When combined with a higher resolution motor sensor and enhanced high-speed optical communication, this drive contributes to high-speed, high-accuracy control.
- The motor power connector is equipped with an anti-misinsertion mechanism. This helps to eliminate connection errors.
- Improved diagnostic and preventive maintenance features
- Safe Torque Off (STO) and Safe Brake Control (SBC) are also incorporated as additional safety features.



Multi-hybrid Drive Units MDS-EM/EMH Series

- Multi-hybrid drive units are capable of driving a maximum of three servo axes and one spindle. This contributes to downsizing machines and offers technical advantages.
- The motor power connector is equipped with an anti-misinsertion mechanism. This helps to eliminate connection errors.
- Safe Torque Off (STO) and Safe Brake Control (SBC) are also incorporated as additional safety features.
- The fan unit facilitates fan exchange.
- An MDS-EMH drive unit is available for 400V systems.



All-in-one Compact Drive Units MDS-EJ/EJH Series

- Ultra-compact drive units with built-in power supply contribute to smaller control panel size.
- A 2-axis type has been added for further downsizing.
- The servo control-dedicated core processor realizes improved control speed, leading to improved basic performance. When combined with a higher resolution motor sensor and enhanced high-speed optical communication, this drive contributes to high-speed, high-accuracy control.
- Safe Torque Off (STO) and Safe Brake Control (SBC) are also incorporated as additional safety features.
- An MDS-EJH drive unit is available for 400V systems. (Note 1)



PWM Converter MDS-EX-CVP Series

- Products of the PWM converter series which provides a stabilizing DC voltage function and boost function. The MDS-EX-CVP Series reduces the output deceleration of the spindle motor and improves output in the high-speed range.
- Available for 400V system power supply units only.

•Spindle motors



High-output, High-speed Spindle Motors SJ-DG Series

- The addition of S3 rating (%ED rating) has improved output and torque acceleration/deceleration characteristics.
- A balance adjustment ring added to the counter-load side allows for fine tuning.
- Range: S3 rating: 5.5 to 15 [kW]
- Maximum rotation speed: 10,000 to 12,000 [r/min]

Low-inertia, High-speed Spindle Motors SJ-DL Series

- This series of spindle motors is dedicated for use in tapping machines that require faster drilling and tapping.
- The latest design technologies make it possible to attain lower vibration and greater rigidity even with lighter weight.
- Range: 0.75 to 7.5 [kW]
- Maximum rotation speed: 10,000 to 24,000 [r/min]

High-performance Spindle Motors SJ-D Series

- Motor energy loss has been significantly reduced by optimizing the magnetic circuit.
- High-speed bearings are incorporated as a standard feature, helping to achieve higher speed, lower vibration and improved durability.
- Range: 3.7 to 26 [kW]
- Maximum rotation speed: 8,000 to 12,000 [r/min]

High-torque Spindle Motors SJ-DN Series

- Higher torque characteristics than those of the SJ-D Series with the same output. This series can be driven with a small-capacity multi-hybrid drive unit.
- Suitable for heavy cutting. Helps to improve productivity.
- Range: 7.5 to 18.5 [kW]
- Maximum rotation speed: 8,000 [r/min]

Compact, Lightweight Spindle Motors SJ-DJ Series

- Spindle motors that are smaller and lighter than the SJ-D Series with the same output. This helps to further downsize machines.
- Range: 5.5 to 15 [kW]
- Maximum rotation speed: 8,000 to 12,000 [r/min]

High-output High-torque IPM Spindle Motors SJ-DM Series

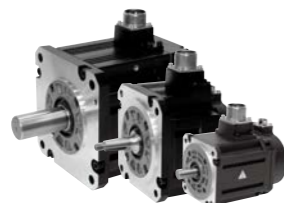
- The use of magnets allows for higher output and torque, leading to reduced cycle time.
- The SJ-DM Series can provide torque characteristics comparable to the former SJ-D Series of the next frame number.
- Maximum rotation speed: 12,000 [r/min]

•Servo motors



Medium-inertia, High-accuracy, High-speed Motors HK Series

- Latest servo motor to help increase productivity.
- Range: 0.5 to 7 [kW]
- Maximum rotation speed: 2,000 to 6,000 [r/min]
- High power density design has improved motor efficiency.
- One-touch lock of the power connector for easy mounting (Note 2).
- Battery-free encoder helps reduce maintenance costs.



Medium-inertia, High-accuracy, High-speed Motors HG Series

- Sensor resolution has been significantly improved. These servo motors, which boast smooth rotation and outstanding acceleration capabilities, are well-suited as feed axes of machine tools.
- Range: 0.2 to 11 [kW]
- Maximum rotation speed: 2,000 to 6,000 [r/min]
- Safety support sensors are included as standard specification. Three sensor resolutions (i.e., 1, 4 or 67 million pulses/rev) are available.
- These motors can also be used as a tool spindle motor.
- The small-sized connector allows horizontal cable connection to save space in machines. (Note 3)



Linear Servo Motors LM-F Series

- These motors can be used in clean environments, since no ball screws are used, eliminating possible grease contamination.
- Elimination of transmission mechanisms, including backlash, enables smooth, quiet operation even at high speeds.
- Range: Maximum thrust: 900 to 18,000 [N·m]



Direct-drive Servo Motors TM-RB Series

- High-torque, direct-drive motors combined with high-gain control provide quick acceleration and positioning, making rotation smoother.
- Suitable for rotary axes that drive tables or spindle heads
- Range: Maximum torque: 36 to 1,280 [N·m]



Built-in Spindle Motors SJ-BG Series

- The electrical design has been optimized to increase the continuous rated torque per unit volume, contributing to downsizing spindle units.
- Options for mold and cooling jacket specifications are available.



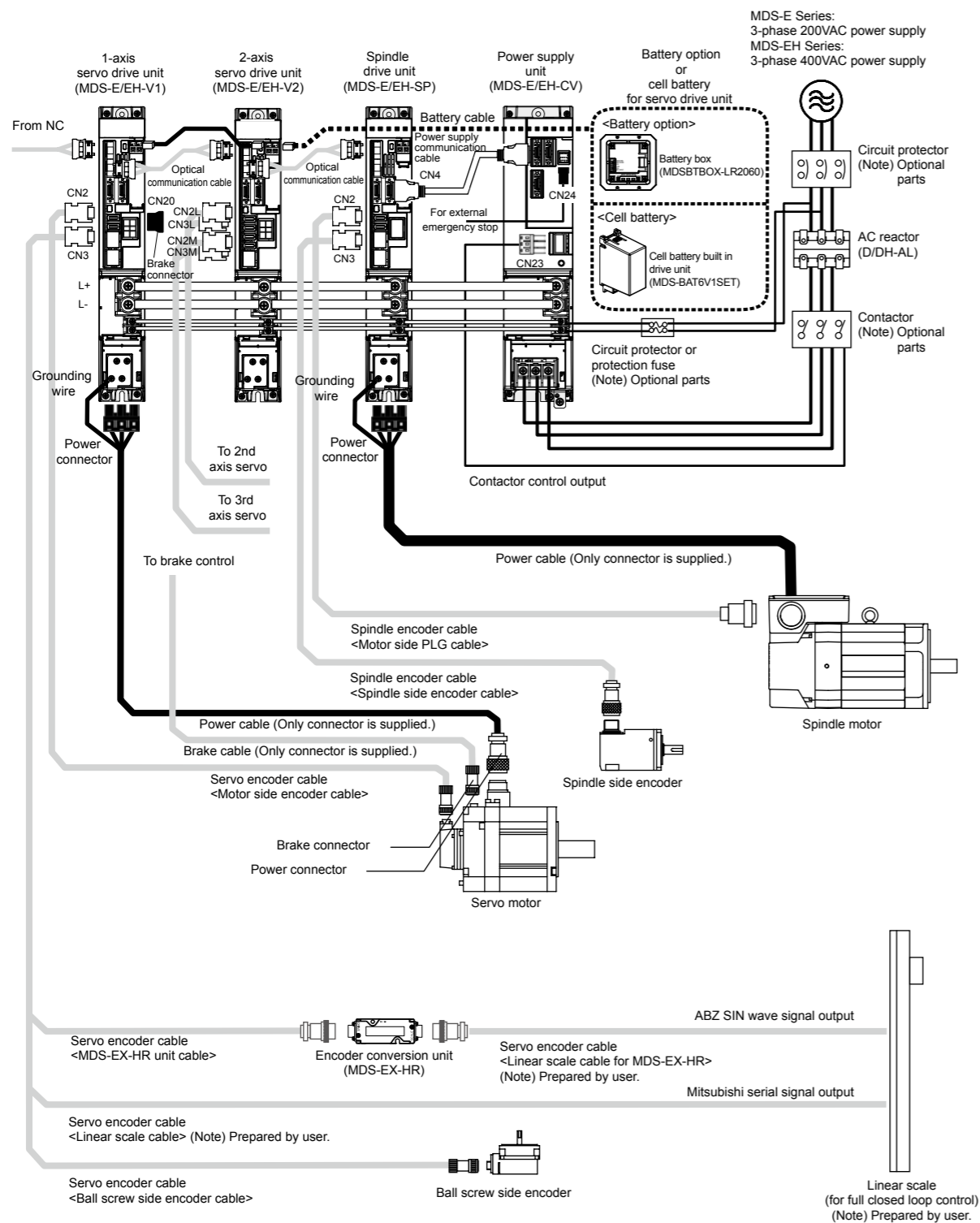
Tool Spindle Motors HG-JR Series

- Compact tool spindle motors are designed to have the small, high-output characteristics of servo motors yet offer high-speed rotation (8,000r/min). These motors contribute to downsizing spindle size, like rotary tool spindles.
- Range: 0.75 to 1.5 [kW]
- Maximum rotation speed: 8,000 [r/min]
- Small-sized connector allows horizontal cable connection to save space in machines. (Note 3)

(Note 1) For servo motors only
 (Note 2) Available only for flange sizes 90SQ, 130SQ, and 176SQ.
 (Note 3) Options supported (Flange size 90SQ only)
 * Use Mitsubishi Electric CNC's dedicated drive unit and motor.

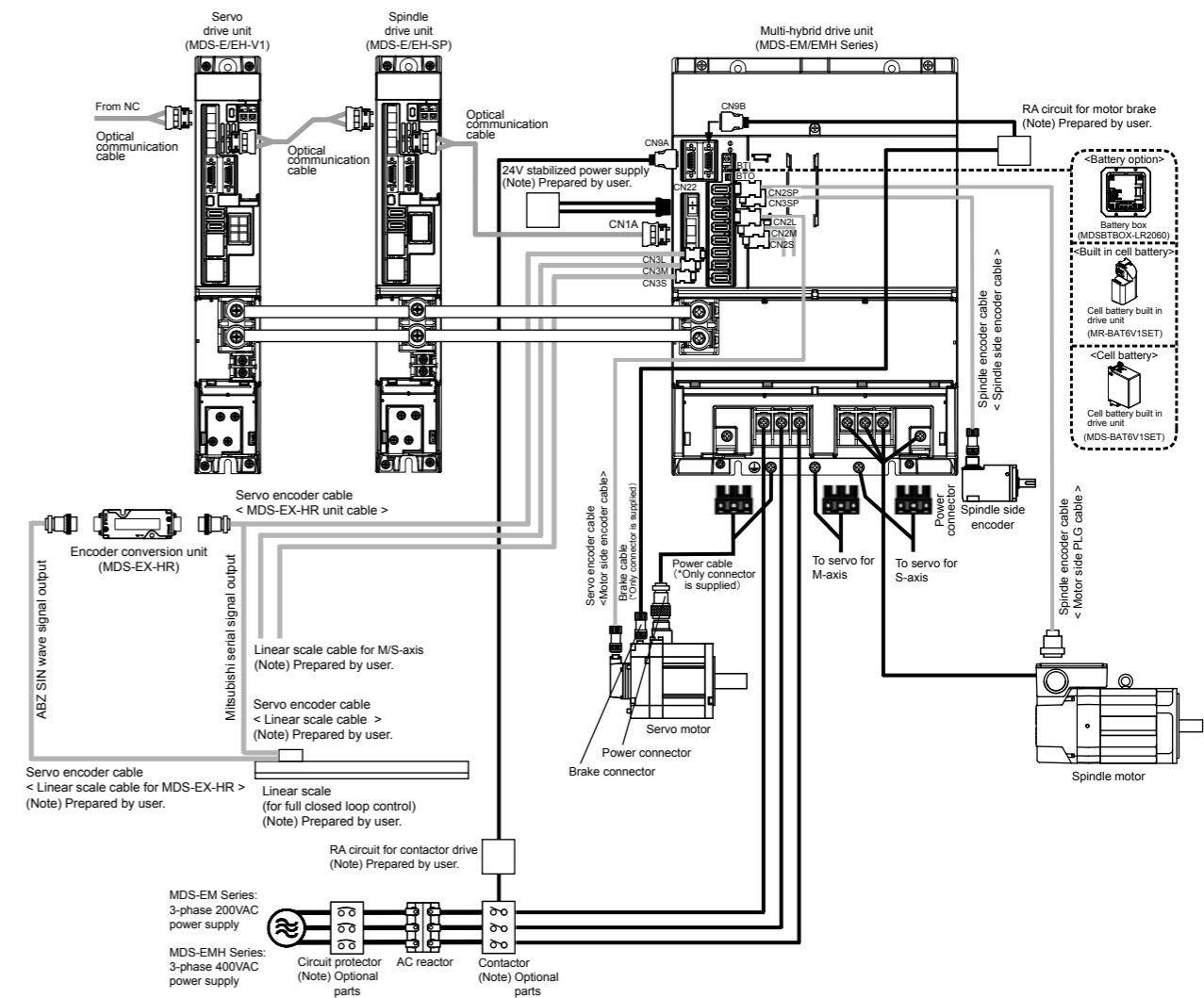
SYSTEM CONFIGURATION

■MDS-E/EH Series



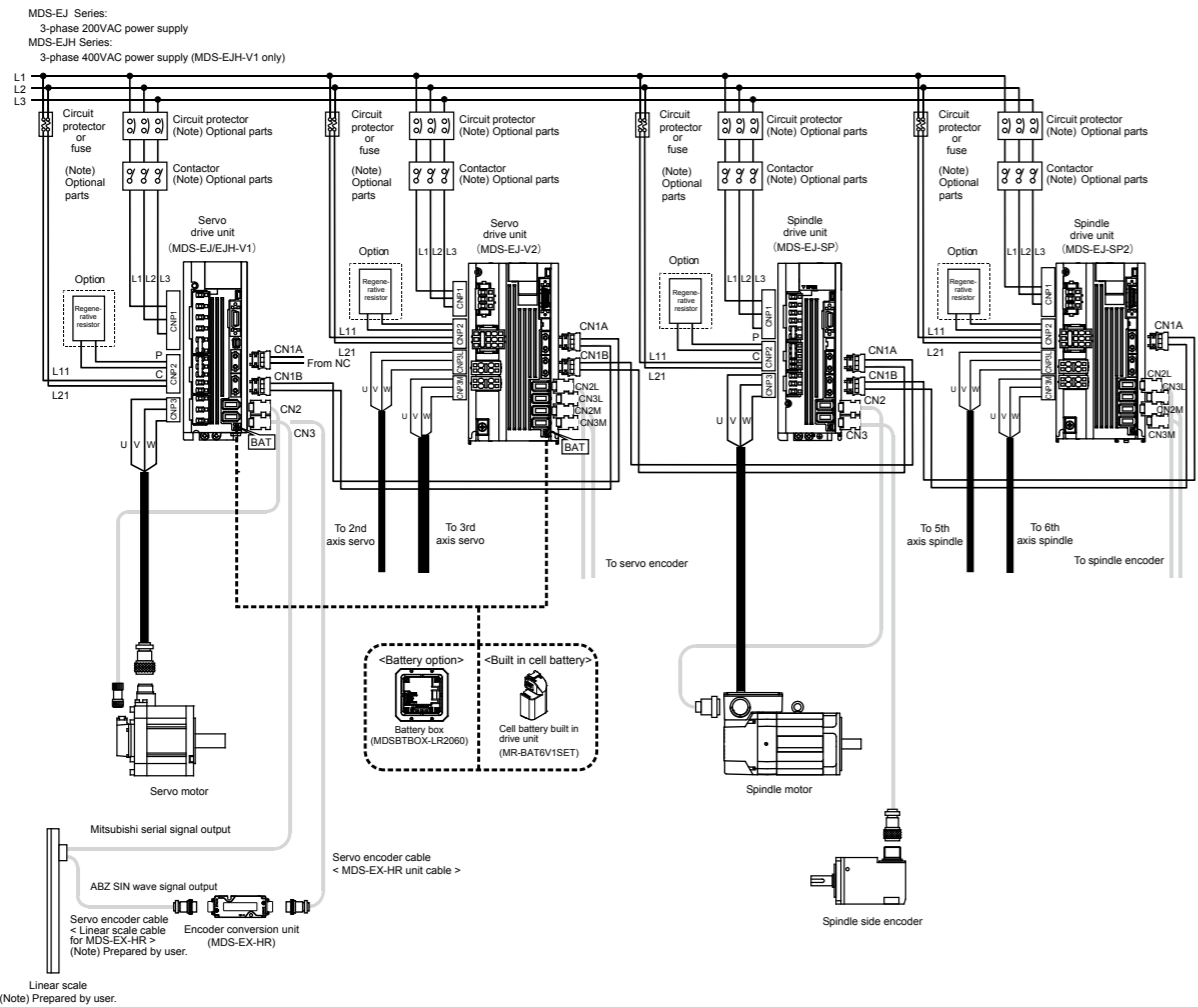
(Note) Refer to "SELECTION OF CABLES AND CONNECTORS" and "LIST OF CABLES" for details of the cables and the connectors.

■MDS-EM/EMH Series



(Note) Refer to "SELECTION OF CABLES AND CONNECTORS" and "LIST OF CABLES" for details of the cables and the connectors.

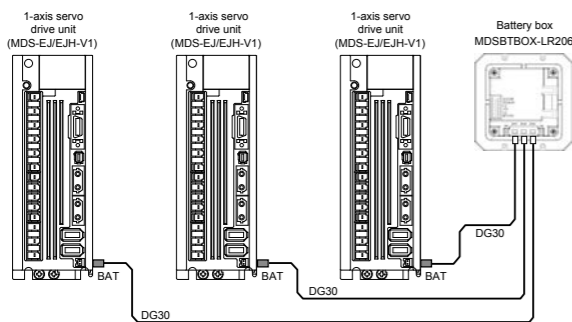
■ MDS-EJ/EJH Series



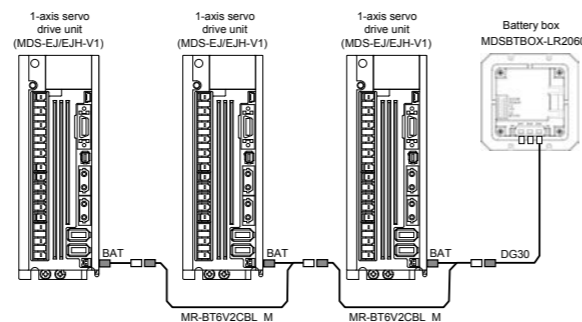
(Note) Refer to "SELECTION OF CABLES AND CONNECTORS" and "LIST OF CABLES" for details of the cables and the connectors.

When using the battery box <MDSBTBOX-LR2060>

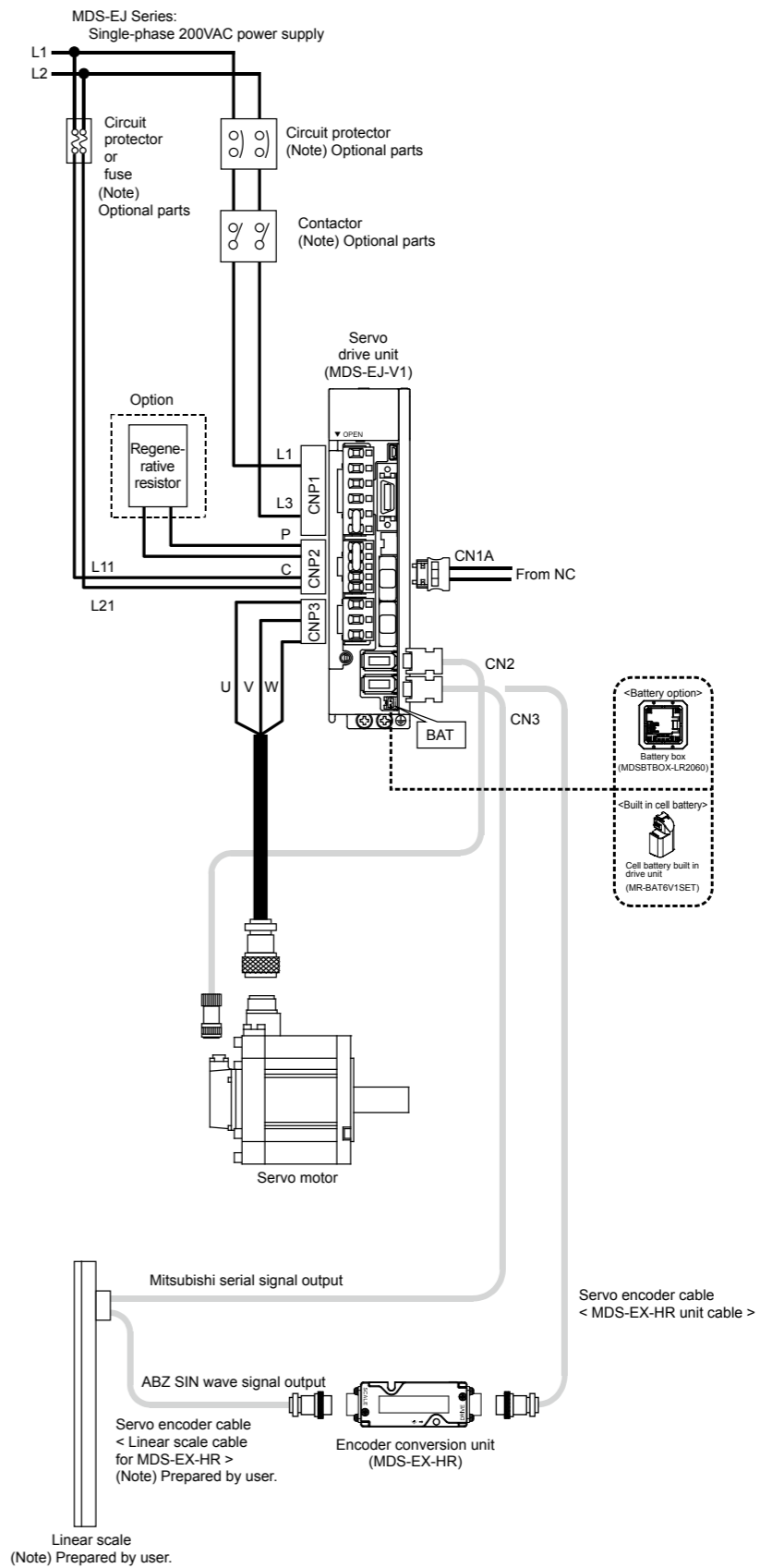
< Parallel connection >



< Daisy-chain connection >



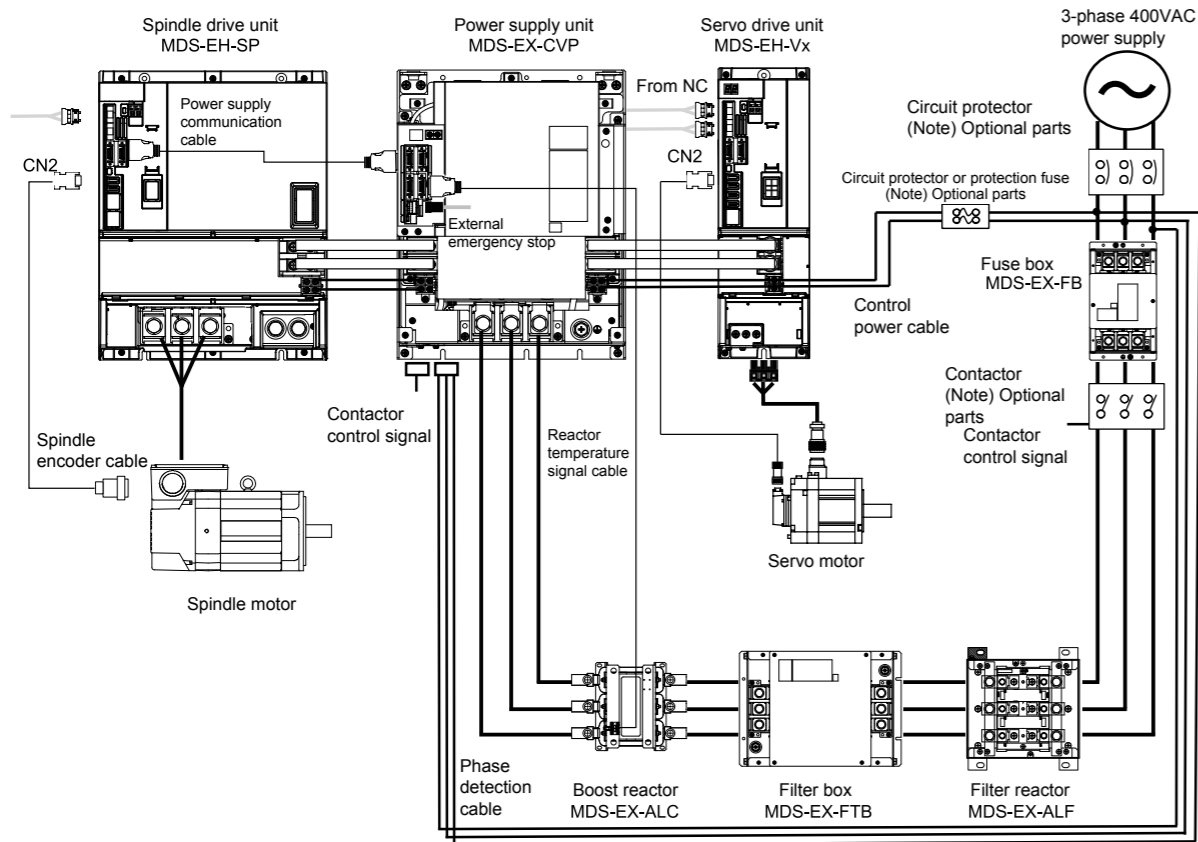
<For single-phase power supply>



(Note) Refer to "SELECTION OF CABLES AND CONNECTORS" and "LIST OF CABLES" for details of the cables and the connectors.

■MDS-EX-CVP Series

■MEMO



(Note) Refer to "SELECTION OF CABLES AND CONNECTORS" and "LIST OF CABLES" for details of the cables and the connectors.

SPECIFICATIONS

<Servo specification>

Item		MDS-E-V1/V2/V3	MDS-EH-V1/V2	MDS-EM/EMH-SPV3	MDS-EJ/EJH-V1	MDS-EJ-V2	
1 Base control functions	1.1 Full closed loop control	●	●	●	●	●	
	1.2 Position command synchronous control	●	●	●	●	●	
	1.3 Speed command synchronous control	● (Note 1)	●	●	●	●	
	1.4 Common encoder current command synchronous control (Note 5)	●	●	●	●	●	
2 Servo control function	1.5 Distance-coded reference position control	●	●	●	●	●	
	2.1 Torque limit function (stopper function)	●	●	●	●	●	
	2.2 Variable speed loop gain control	●	●	●	●	●	
	2.3 Gain changeover for synchronous tapping control	●	●	●	●	●	
	2.4 Speed loop PID changeover control	●	●	●	●	●	
	2.5 Disturbance torque observer	●	●	●	●	●	
	2.6 Smooth High Gain control (SHG control)	●	●	●	●	●	
	2.7 High-speed synchronous tapping control (OMR-DD control)	●	●	●	●	●	
	2.8 Dual feedback control	●	●	●	●	●	
	2.9 HAS control	●	●	●	●	●	
2.10 OMR-FF control	●	●	●	●	●		
3 Compensation control function	3.1 Jitter compensation	●	●	●	●	●	
	3.2 Notch filter	Variable frequency: 4 Fixed frequency: 1	Variable frequency: 4 Fixed frequency: 1	Variable frequency: 4 Fixed frequency: 1	Variable frequency: 4 Fixed frequency: 1	Variable frequency: 4 Fixed frequency: 1	
	3.3 Adaptive tracking-type notch filter	●	●	●	●	●	
	3.4 Overshooting compensation	●	●	●	●	●	
	3.5 Machine end compensation control	●	●	●	●	●	
	3.6 Lost motion compensation type 2	●	●	●	●	●	
	3.7 Lost motion compensation type 3	●	●	●	●	●	
	3.9 Real-time tuning I	●	●	●	●	●	
	3.10 Full-closed torsion compensation function	●	●	●	●	●	
	4 Protection function	4.1 Deceleration control at emergency stop	●	●	●	●	●
4.2 Vertical axis drop prevention/pull-up control		●	●	●	●	●	
4.3 Earth fault detection		●	●	●	●	●	
4.4 Collision detection function		●	●	●	●	●	
4.5 Fan stop detection		●	●	●	●	●	
4.8 STO (Safe Torque Off) function		●	●	● (Note 2)	●	●	
4.9 SBC (Safe Brake Control) function		●	●	●	●	●	
4.10 Deceleration and stop function at power failure (Note 3)		●	●	●	●	●	
4.11 Retraction function at power failure (Note 4)		●	●	●	●	●	
5 Sequence function		5.2 Motor brake control function	●	●	●	●	●
		5.4 Specified speed output	●	●	●	●	●
	5.5 Quick READY ON sequence	●	●	●	●	●	
6 Diagnosis function	6.1 Monitor output function	●	●	●	●	●	
	6.2 Machine resonance frequency display function	●	●	●	●	●	
	6.3 Machine inertia display function	●	●	●	●	●	

(Note 1) Always set L-axis as primary axis and M-axis as secondary axis for the speed command synchronous control using MDS-E-V3. Other settings cause the initial parameter error alarm.
 (Note 2) The dedicated wiring STO is not supported by MDS-EM/EMH Series.
 (Note 3) The power backup unit and resistor unit option are required.
 (Note 4) The power backup unit and capacitor unit option are required.
 (Note 5) When using common encoder current command synchronous control with a multi axes integrated type drive unit, only M-axis can be set as the secondary axis.

<Spindle specification>

Item		MDS-E/EH-SP	MDS-E-SP2	MDS-EM/EMHSPV3	MDS-EJ-SP	MDS-EJ-SP2	
1 Base control functions	1.1 Full closed loop control	●	●	●	●	●	
	1.6 Spindle's continuous position loop control	●	●	●	●	●	
	1.7 Coil changeover control	●	●	●	●	●	
	1.8 Gear changeover control	●	●	●	●	●	
	1.9 Orientation control	●	●	●	●	●	
	1.10 Indexing control	●	●	●	●	●	
	1.11 Synchronous tapping control	●	●	●	●	●	
	1.12 Spindle synchronous control	●	●	●	●	●	
	1.13 Spindle/C axis control	●	●	●	●	●	
	1.14 Proximity switch orientation control	●	● (Note 1)	●	●	● (Note 1)	
	2 Spindle control functions	2.1 Torque limit function	●	●	●	●	●
		2.2 Variable speed loop gain control	●	●	●	●	●
		2.5 Disturbance torque observer	●	●	●	●	●
		2.6 Smooth High Gain control (SHG control)	●	●	●	●	●
2.7 High-speed synchronous tapping control (OMR-DD control)		●	●	●	●	●	
2.8 Dual feedback control		●	●	●	●	●	
2.10 OMR-FF control		●	●	●	●	●	
2.11 Control loop gain changeover		●	●	●	●	●	
2.12 Spindle output stabilizing control		●	●	●	●	●	
2.13 High-response spindle acceleration/deceleration function		●	●	●	●	●	
3 Compensation control function	3.1 Jitter compensation	●	●	●	●	●	
	3.2 Notch filter	Variable frequency: 4 Fixed frequency: 1	Variable frequency: 4 Fixed frequency: 1	Variable frequency: 4 Fixed frequency: 1	Variable frequency: 4 Fixed frequency: 1	Variable frequency: 4 Fixed frequency: 1	
	3.3 Adaptive tracking-type notch filter	●	●	●	●	●	
	3.4 Overshooting compensation	●	●	●	●	●	
	3.8 Spindle motor temperature compensation function	●	●	●	●	●	
4 Protection function	4.1 Deceleration control at emergency stop	●	●	●	●	●	
	4.3 Earth fault detection	●	●	●	●	●	
	4.5 Fan stop detection	●	●	●	●	●	
	4.8 STO (Safe Torque Off) function	●	●	● (Note 2)	●	●	
	4.11 Retraction function at power failure (Note 4)	●	●	●	●	●	
5 Sequence functions	5.4 Specified speed output	●	●	●	●	●	
	5.5 Quick READY ON sequence	●	●	●	●	●	
6 Diagnosis functions	6.1 Monitor output function	●	●	●	●	●	
	6.2 Machine resonance frequency display function	●	●	●	●	●	
	6.3 Machine inertia display function	●	●	●	●	●	
	6.4 Motor temperature display function	●	●	●	●	●	
	6.5 Load monitor output function	●	●	●	●	●	

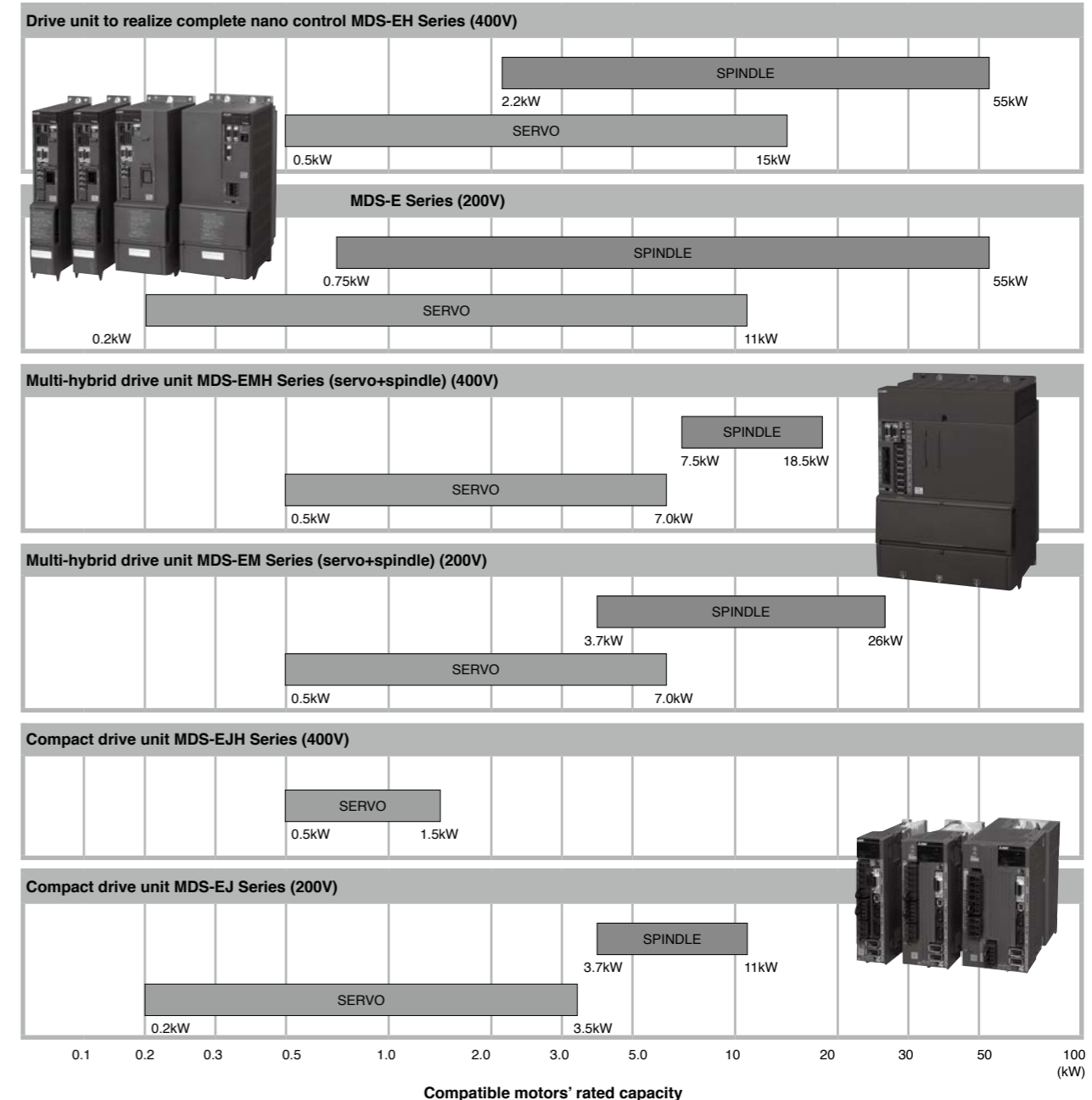
(Note 1) As for 2-axis spindle drive unit, setting is available only for one of the axes.
 (Note 2) The dedicated wiring STO is not supported by MDS-EM/EMH Series.
 (Note 3) The power backup unit and resistor unit option are required.
 (Note 4) The power backup unit and capacitor unit option are required.

<Power Supply>

Item		MDS-E/EH-CV	MDS-EM/EMH-SPV3 built-in converter	MDS-EJ/EJH-V1/V2/SP/SP2 built-in converter	MDS-EX-CVP Series
1 Base control functions	1.15 Power regeneration control	●	●	●	●
	1.16 Resistor regeneration control	●	●	●	●
	1.17 PWM control	●	●	●	●
4 Protection function	4.5 Fan stop detection	●	●	●	●
	4.6 Open-phase detection	●	●	●	●
	4.7 Contactor weld detection	●	●	●	●
	4.10 Deceleration and stop function at power failure (Note 1)	●	●	●	●
	4.11 Retraction function at power failure (Note 2)	●	●	●	●
5 Sequence function	5.1 Contactor control function	●	●	●	●
	5.3 External emergency stop function	●	●	●	●
	5.5 High-speed READY ON sequence	●	●	●	●
6 Diagnosis function	6.6 Power supply diagnosis display function	●	●	●	●
	6.7 Drive unit diagnosis display function	●	●	●	●

(Note 1) The power backup unit and resistor unit option are required.
 (Note 2) The power backup unit and capacitor unit option are required.

■ Mitsubishi Electric CNC DRIVE SYSTEM LINES



TYPE

200V Servo motor

<HG Series>

HG ① ② ③ - ④ - ⑤

① Rated output and maximum rotation speed

Symbol	Rated output	Max. rotation speed	Flange size (mm)
46	0.2 kW	6000 r/min	60 SQ.
56	0.4 kW	6000 r/min	60 SQ.
96	0.75 kW	6000 r/min	80 SQ.
75	0.75 kW	5000 r/min	90 SQ.
105	1.0 kW	5000 r/min	90 SQ.
54	0.5 kW	4000 r/min	130 SQ.
104	1.0 kW	4000 r/min	130 SQ.
154	1.5 kW	4000 r/min	130 SQ.
224	2.2 kW	4000 r/min	130 SQ.
204	2.0 kW	4000 r/min	176 SQ.
354	3.5 kW	4000 r/min	176 SQ.
123	1.2 kW	3000 r/min	130 SQ.
223	2.2 kW	3000 r/min	130 SQ.
303	3.0 kW	3000 r/min	176 SQ.
453	4.5 kW	3500 r/min	176 SQ.
603	6.0 kW	3000 r/min	176 SQ.
702	7.0 kW	2000 r/min	176 SQ.
703	7.0 kW	3000 r/min	176 SQ.
903	9.0 kW	3000 r/min	204 SQ.
1103	11.0 kW	3000 r/min	220 SQ.
142	1.4 kW	2000 r/min	130 SQ.
302	3.0 kW	2000 r/min	176 SQ.

<HK Series>

HK ① ② ③ - ④

① Rated output and maximum rotation speed

Symbol	Rated output	Max. rotation speed	Flange size (mm)
76	0.75 kW	6700 r/min	90 SQ.
105	1.0 kW	5000 r/min	90 SQ.
55	0.5 kW	5000 r/min	130 SQ.
104	1.0 kW	4500 r/min	130 SQ.
123	1.2 kW	3500 r/min	130 SQ.
142	1.4 kW	2000 r/min	130 SQ.
154	1.5 kW	4500 r/min 4000 r/min (MDS-E-V3-40)	130 SQ.
223	2.2 kW	3000 r/min	130 SQ.
224	2.2 kW	4500 r/min	130 SQ.
204	2.0 kW	4000 r/min	176 SQ.
302	3.0 kW	2000 r/min	176 SQ.
303	3.0 kW	3000 r/min	176 SQ.
354	3.5 kW	4000 r/min	176 SQ.
453	4.5 kW	3500 r/min	176 SQ.
603	6.0 kW	3000 r/min	176 SQ.
702	7.0 kW	2000 r/min	176 SQ.
703	7.0 kW	3000 r/min	176 SQ.

② Magnetic brake

Symbol	Magnetic brake
None	None
B	With magnetic brake

③ Shaft end structure

Symbol	Shaft end structure
K	With keyway (with key)
S	Straight
T	Taper

(Note 1) "Taper" is available for the motor whose flange size is 90 SQ. mm or 130 SQ. mm.
(Note 2) "K: With keyway (with key)" is only available for HG46/56/96.

④ Power connector

Symbol	Connector
None	Normal
S105010	Compact (horizontal direction)

(Note) S105010 can only be used with HG75/105.

⑤ Encoder

Symbol	Type	Detection method	Resolution
D47	OSA24RS-120	Absolute position	1,048,576 p/rev
D48	OSA24RS		1,048,576 p/rev
D51	OSA405S5AS		4,194,304 p/rev
D74	OSA676S5AS		67,108,864 p/rev

(Note) Encoder D47 can only be used with HG46/56/96.

② Magnetic brake

Symbol	Magnetic brake
None	None
B	With magnetic brakes

③ Shaft end structure

Symbol	Shaft end structure
K	With keyway (with key)
S	Straight
T	Taper

(Note 1) "Taper" is available for the motor whose flange size is 90 SQ. mm or 130 SQ. mm.

④ Encoder

Symbol	Type	Detection method	Resolution
G48	CSW26KS	Batteryless absolute position	1,048,576 p/rev

200V Direct-drive motor

<TM-RB Series>

Primary side [coil side]

TM-RBP ① ② ③

Secondary side [magnet side]

TM-RBS ① ② ③

① Rated torque

Symbol	Rated torque
012	12 N·m
036	36 N·m
048	48 N·m
105	105 N·m
150	150 N·m
340	340 N·m
500	500 N·m

② Stator dimensions

Symbol	Dimension
C	DIA 130 mm
E	DIA 180 mm
G	DIA 230 mm
J	DIA 330 mm

③ Rated rotation speed

Symbol	Speed
10	100 r/min
20	200 r/min

(Note) This explains the model name system of a direct-drive motor, and all combinations of motor types listed above do not exist.

200V Linear servo motor

<LM-F Series>

Primary side [coil side]

LM-FP ① ② - ③ M-1WWO

Secondary side [magnet side]

LM-FS ① 0- ② -1WWO

① Width

Symbol	Width (nominal)
2	120 mm
4	200 mm

② Length

Symbol	Length (nominal)
A	170 mm
B	290 mm
D	530 mm
F	770 mm
H	1010 mm

③ Rated thrust

Symbol	Rated thrust
03	300 N
06	600 N
12	1200 N
18	1800 N
24	2400 N
36	3600 N
48	4800 N

① Width

Symbol	Width (nominal)
2	120 mm
4	200 mm

② Length

Symbol	Length (nominal)
384	384 mm
480	480 mm
576	576 mm

(Note) The linear dimension of 384mm is available for LM-FS20 only.

(Note) This explains the model name system of a linear servo motor, and all combinations of motor types listed above do not exist.

■SPINDLE MOTOR WITH FRAME LINES

Series	Feature	Application	Specifications
SJ-D	Standard specifications with general-purpose capabilities	Machining center Lathe	Flange type Flange type (hollow shaft) Type with leg
SJ-DG	High-output and high-speed specifications with S3 rating added	Machining center	
SJ-DM	High-output and high-torque specifications by using magnets	Tapping Machining center	Flange type
SJ-DN	High-torque specifications with lower base rotation speed	Machining center Lathe	Flange type Flange type (hollow shaft) Type with leg
SJ-DL	Lower rotor inertia and higher acceleration/deceleration output	Tapping	
SJ-DJ	Compact & lightweight specifications suitable for popular machines	Machining center Lathe	Flange type Type with leg

■200V Spindle with frame

<SJ-D/DG/DJ/DL/DM/DN Series> SJ-D ① ② / ③ - ④ ⑤ - ⑥

① Series

Symbol	Series
None	Normal specifications
G	High-output specifications
J	Compact & lightweight specifications
L	Low-inertia specifications
M	Magnet specifications
N	High-torque specifications

② Short-time (or %ED) rated output

Symbol	Short-time rated output
0.75	0.75 kW
1.5	1.5 kW
3.7	3.7 kW
5.5	5.5 kW
7.5	7.5 kW
11	11 kW
15	15 kW
18.5	18.5 kW
22	22 kW
26	26 kW

③ Maximum rotation speed

Indicates the hundreds place and higher order digits.

④ Specification code

Indicates a specification code (01 to 99).

⑤ Encoder

Symbol	Type
None	Type 1
T	Type 2

⑥ Specifications (Note)

Symbol	Specifications
None	Standard
A	With leg
C	Shaft with key
J	Oil seal
K	Coil changeover
S	Hollow shaft
X	Reversed cooling air

(Note) If more than one option is included, the symbols are in alphabetical order.

<SJ-V/VL Series> SJ- ① ② ③ ④ - ⑤ ⑥ T

① Series

Symbol	Series
V	Medium inertia Series
VL	Low inertia Series

② Coil changeover

Symbol	Coil changeover
None	Unavailable
K	Available

③ Shaft configuration

Symbol	Shaft configuration
None	Standard

④ Short-time rated output (Standard specification)

Symbol	Short-time rated output
0.75	0.75 kW
1.5	1.5 kW
2.2	2.2 kW
3.7	3.7 kW
5.5	5.5 kW
7.5	7.5 kW
11	11 kW
15	15 kW
18.5	18.5 kW
22	22 kW
26	26 kW
37	37 kW
45	45 kW
55	55 kW

⑤ Specification code

The SJ-V/VL Series is indicated with a specification code (01 to 99).

⑥ Special specifications

Symbol	Special specifications
None	Standard
Z	High-speed bearing
FZ	High-speed bearing front-lock

(Note) This explains the model name system of a spindle motor, and all combinations of motor types listed above do not exist.

For the motors not shown in the following tables, contact your Mitsubishi Electric dealer.

■200V Flange type

Flange type	Short-time rating Max. rotation speed	0.75kW	1.5kW	2.2kW	3.7kW	5.5kW	7.5kW	11kW	15kW	18.5kW	22kW	26kW	37kW	45kW	55kW
		Normal specifications	8,000 [r/min]								D15/80-01	D18.5/80-01	D22/80-01	D26/80-01	V37-01ZT (6,000 [r/min])
Wide range constant output specifications	10,000 [r/min]			V2.2-01T	D3.7/100-01	D5.5/100-01	D7.5/100-01	D11/100-01	V22-06ZT						
	12,000 [r/min]				V3.7-02ZT (15,000 [r/min])	D5.5/120-01	D7.5/120-01								
High-output specifications	6,000 [r/min]					V11-01T	V15-03T (9kW)	V18.5-03T	V22-05T	V22-09T (4,500 [r/min])	VK22-19ZT (Coil changeover)				
	10,000 [r/min]							DG11/100-03T							
	12,000 [r/min]				DG3.7/120-03T	DG5.5/120-04T	DG7.5/120-05T	DG11/120-03T	DG11/120-12T-K	DG15/120-02T-K					
Compact & lightweight specifications	10,000 [r/min]					DJ5.5/100-01	DJ7.5/100-01	DJ11/100-01				DJ15/80-01 (8,000 [r/min])			
	12,000 [r/min]					DJ5.5/120-01	DJ7.5/120-01								
Low-inertia specifications	15,000 [r/min]	DL0.75/100-01 (10,000 [r/min])	DL1.5/100-01 (10,000 [r/min])	VL2.2-02ZT	VL11-02FZT	DL5.5/150-01T	DL7.5/150-01T								
	20,000 [r/min]				VL11-05FZT-S01 (3kW)	DL5.5/200-01T									
	24,000 [r/min]				DL3.7/240-01T	DL5.5/240-05T									
Magnet specifications	12,000 [r/min]							SJ-DM11/120-01T							
High-torque specifications	8,000 [r/min]						DN7.5/80-01	DN11/80-01	DN15/80-01	DN18.5/80-01					

■200V Flange type (hollow shaft)

Flange type (hollow shaft)	Short-time rating Max. rotation speed	0.75kW	1.5kW	3.7kW	5.5kW	7.5kW	11kW	15kW	18.5kW	22kW	26kW
		Normal specifications	8,000 [r/min]								
High-output specifications	10,000 [r/min]			D3.7/100-01	D5.5/100-01	D7.5/100-01	D11/100-01				
	12,000 [r/min]				D5.5/120-01	D7.5/120-01					
Low-inertia specifications	10,000 [r/min]							DG11/100-03T			
	12,000 [r/min]			DG3.7/120-03T	DG5.5/120-04T	DG7.5/120-05T		DG11/120-03T	DG11/120-12T-K	DG15/120-02T-K	
Wide range constant output specifications	15,000 [r/min]							DG11/150-06T	DG11/150-15T-K		
	15,000 [r/min]	DL0.75/100-01 (10,000 [r/min])	DL1.5/100-01 (10,000 [r/min])		DL5.5/150-01T	DL7.5/150-01T					
	20,000 [r/min]				DL5.5/200-01T						
High-torque specifications	24,000 [r/min]			DL3.7/240-01T	DL5.5/240-05T						

■200V Type with leg

Type with leg	Short-time rating Max. rotation speed	0.75kW	1.5kW	2.2kW	3.7kW	5.5kW	7.5kW	11kW	15kW	18.5kW	22kW	26kW	37kW	45kW	55kW
		Normal specifications	8,000 [r/min]								V15-09ZT	V18.5-01ZT	V22-01ZT	V26-01ZT	V37-01ZT (6,000 [r/min])
Wide range constant output specifications	10,000 [r/min]			V2.2-01T	D3.7/100-01	D5.5/100-01	D7.5/100-01	D11/100-01	V22-06ZT						
	12,000 [r/min]				V3.7-02ZT (15,000 [r/min])	D5.5/120-01	D7.5/120-01								
High-torque specifications	6,000 [r/min]					V11-01T	V15-03T (9kW)	V18.5-03T	V22-05T	V22-09T (4,500 [r/min])	VK22-19ZT (Coil changeover)				
High-torque specifications	8,000 [r/min]						DN7.5/80-01	DN11/80-01	DN15/80-01	DN18.5/80-01					

■200V Tool spindle motor

<HG Series> HG ① ② - ③ - ④

① Rated output · Maximum rotation speed

Symbol	Rated output	Max. rotation speed	Flange size (mm)
46	0.4 kW	6000 r/min	60 SQ.
56	0.5 kW	6000 r/min	60 SQ.
96	0.9 kW	6000 r/min	80 SQ.
75	0.75 kW	4000 r/min	90 SQ.
105	1.0 kW	4000 r/min	90 SQ.
54	0.5 kW	3000 r/min	130 SQ.
104	1.0 kW	3000 r/min	130 SQ.
154	1.5 kW	3000 r/min	130 SQ.
224	2.2 kW	3000 r/min	130 SQ.
204	2.0 kW	3000 r/min	176 SQ.
354	3.5 kW	3000 r/min	176 SQ.
453	4.5 kW	3000 r/min	176 SQ.
703	7.0 kW	3000 r/min	176 SQ.
903	9.0 kW	3000 r/min	204 SQ.

② Shaft end structure

Symbol	Shaft end structure
S	Straight
K	With keyway (with key)

(Note) "K: With keyway (with key)" is only available for HG46/56/96.

③ Power connector

Symbol	Connector
None	Normal
S105010	Compact (horizontal direction)

(Note) S105010 can only be used with HG75/105.

④ Encoder

Symbol	Type	Resolution
D47	OSA24RS-120	1,048,576 p/rev
D48	OSA24RS	1,048,576 p/rev

(Note 1) Encoder D51 and D74 can not be used with the tool spindle motor.
(Note 2) Encoder D47 can only be used with HG46/56/96.

<HG-JR Series> HG-JR ① E1 ② W9C - ③

① Rated output · Maximum rotation speed

Symbol	Rated output	Max. rotation speed	Flange size (mm)
73	0.75 kW	8000 r/min	90 SQ.
153	1.5 kW	8000 r/min	90 SQ.

② Shaft end structure

Symbol	Shaft end structure
None	Straight
K	With keyway (without key)

③ Power connector

Symbol	Connector
S105003	Normal (vertical direction)
S105010	Compact (horizontal direction)

■400V Servo motor

<HG-H Series> HG-H ① ② ③ - ④ - ⑤

① Rated output · Maximum rotation speed

Symbol	Rated output	Max. rotation speed	Flange size (mm)
75	0.75 kW	5000 r/min	90 SQ.
105	1.0 kW	5000 r/min	90 SQ.
54	0.5 kW	4000 r/min	130 SQ.
104	1.0 kW	4000 r/min	130 SQ.
154	1.5 kW	4000 r/min	130 SQ.
224	2.2 kW	4000 r/min	130 SQ.
204	2.0 kW	4000 r/min	176 SQ.
354	3.5 kW	4000 r/min	176 SQ.
453	4.5 kW	3500 r/min	176 SQ.
703	7.0 kW	3000 r/min	176 SQ.
903	9.0 kW	3000 r/min	204 SQ.
1502	15.0kW	2500 r/min	250 SQ.

② Magnetic brake

Symbol	Magnetic brake
None	None
B	With magnetic brake

(Note) Magnetic brakes cannot be used for HG-H1502.

③ Shaft end structure

Symbol	Shaft end structure
S	Straight
T	Taper

(Note) "Taper" is available for the motor whose flange size is 90 SQ. mm or 130 SQ. mm.

④ Power connector

Symbol	Connector
None	Normal
S105010	Compact (horizontal direction)

(Note) S105010 can only be used with HG-H75/105.

⑤ Encoder

Symbol	Type	Detection method	Resolution
D48	OSA24RS	Absolute position	1,048,576 p/rev
D51	OSA405S5AS		4,194,304 p/rev
D74	OSA676S5AS		67,108,864 p/rev

<HQ-H Series> HQ-H ① ② S - ③

① Rated output · Maximum rotation speed

Symbol	Rated output	Max. rotation speed	Flange size (mm)
903	9.0kW	3000 r/min	220 SQ.
1103	11.0kW	3000 r/min	220 SQ.

② Magnetic brake

Symbol	Magnetic brake
None	None
B	With magnetic brake

③ Encoder

Symbol	Type	Detection method	Resolution
D48	OSA24RS	Absolute position	1,048,576 p/rev
D51	OSA405S5AS		4,194,304 p/rev
D74	OSA676S5AS		67,108,864 p/rev

<HK-H Series> HK-H ① ② ③ - ④

① Rated output · Maximum rotation speed

Symbol	Rated output	Max. rotation speed	Flange size (mm)
76	0.75 kW	6700 r/min	90 SQ.
105	1.0 kW	5000 r/min	90 SQ.
55	0.5 kW	5000 r/min	130 SQ.
104	1.0 kW	4500 r/min	130 SQ.
123	1.2 kW	3500 r/min	130 SQ.
154	1.5 kW	4500 r/min	130 SQ.
224	2.2 kW	3000 r/min	130 SQ.
224	2.2 kW	4500 r/min	130 SQ.
204	2.0 kW	4000 r/min	176 SQ.
302	3.0 kW	2000 r/min	176 SQ.
303	3.0 kW	3000 r/min	176 SQ.
354	3.5 kW	4000 r/min	176 SQ.
453	4.5 kW	3500 r/min	176 SQ.
603	6.0 kW	3000 r/min	176 SQ.
702	7.0 kW	2000 r/min	176 SQ.
703	7.0 kW	3000 r/min	176 SQ.

② Magnetic brake

Symbol	Magnetic brake
None	None
B	With magnetic brakes

③ Shaft end structure

Symbol	Shaft end structure
K	With keyway (with key)
S	Straight
T	Taper

(Note) "Taper" is available for the motor whose flange size is 90 SQ. mm or 130 SQ. mm.

④ Encoder

Symbol	Type	Detection method	Resolution
G48	CSW26KS	Batteryless absolute position	1,048,576 p/rev

■400V Linear servo motor

<LM-F Series>

Primary side [coil side] LM-FP ① ② - ③ M-1WWO

Secondary side [magnet side] LM-FS ① 0- ② -1WWO

① Width

Symbol	Width (nominal)
5	240 mm

② Length

Symbol	Length (nominal)
H	1010 mm

③ Rated thrust

Symbol	Rated thrust
60	6000 N

① Width

Symbol	Width (nominal)
5	240 mm

② Length

Symbol	Length (nominal)
480	480 mm
576	576 mm

400V Spindle motor with frame

<SJ-4-V Series>

SJ-4- ① ② ③ ④ - ⑤ ⑥ T

① Motor Series

Symbol	Motor Series
V	Medium inertia Series

② Coil changeover

Symbol	Coil changeover
None	Unavailable

③ Shaft configuration

Symbol	Shaft configuration
None	Standard

④ Short-time rated output (Standard specification)

Symbol	Short-time rated output
2.2	2.2kW
3.7	3.7kW
5.5	5.5kW
7.5	7.5kW
11	11kW
15	15kW
18.5	18.5kW
22	22kW
26	26kW
37	37kW
45	45kW
55	55kW

⑤ Specification code
The SJ-4-V Series is indicated with a specification code (01 to 99).

⑥ Special specifications

Symbol	Special specifications
None	None
Z	High-speed bearing

(Note) This explains the model name system of a spindle motor, and all combinations of motor types listed above do not exist.

400V SJ-4-V Series

Flange type With leg	Short-time rating Max. rotation speed	2.2kW	3.7kW	5.5kW	7.5kW	9kW	11kW	15kW	18.5kW	22kW	26kW	37kW	45kW	55kW
		Normal specifications	6,000 [r/min]						V11-18T	V18.5-14T		V22-15T		V37-04ZT
	8,000 [r/min]			V5.5-07T	V7.5-12T			V22-18ZT						
	10,000 [r/min]	V2.2-03T	V3.7-03T							V26-08ZT				
	12,000 [r/min]				V7.5-13ZT									
Wide range constant output specifications	6,000 [r/min]					V15-20T		V22-16T						

400V Built-in spindle motor

<SJ-4BG Series>

SJ-4BG ① ② / ③ - ④ ⑤ ⑥ ⑦

① Stator dimensions

Symbol	Stator dimensions
160	φ160mm
180	φ180mm
300	φ300mm

② Core width (A to Z)

③ Maximum rotation speed
Indicates the hundreds place and higher order digits.

④ Specification code (01 to 99)

⑤ Power line

Symbol	Length of lead
1	500mm
2	1000mm
3	1500mm
4	2000mm

⑥ Coil changeover

Symbol	Coil changeover
None	Unavailable
K	Available (人-Δ)
W	Available (人-人)

⑦ Option

Symbol	Stator dimensions
None	Standard (varnish)
J	Varnish with sleeve (cooling jacket)
S	With sleeve (cooling jacket), mold without metal ring
F	With sleeve (cooling jacket), mold with metal ring
L	Without sleeve (cooling jacket), mold without metal ring
G	Without sleeve (cooling jacket), mold with metal ring
R	Rotor inner diameter expanded specifications

<SJ-4BGS Series>

SJ-4BGS ① ② / ③ - ④ ⑤ ⑥ ⑦

① Stator dimensions

Symbol	Stator dimensions
160	φ160mm
210	φ210mm
240	φ240mm

② Core width (A to Z)

③ Maximum rotation speed
Indicates the hundreds place and higher order digits.

④ Specification code (01 to 99)

⑤ Power line

Symbol	Length of lead
1	500mm
2	1000mm
3	1500mm
4	2000mm

⑥ Coil changeover

Symbol	Coil changeover
None	Unavailable
K	Available (人-Δ)
W	Available (人-人)

⑦ Coil changeover

Symbol	Option
None	Varnish
L	Without sleeve (cooling jacket), mold without metal ring
G	Without sleeve (cooling jacket), mold with metal ring
R	With rotor sleeve

(Note) This explains the model name system of a spindle motor, and all combinations of motor types listed above do not exist.

400V SJ-4BG Series

Motor type	Motor type	Stator outer diameter [mm]	Rotor inner diameter [mm]	Total length of motor [mm]	Coil	Continuous rated output [kW]	Short time rated output [kW]
Normal specifications	SJ-4BG160D/150-01	159.1	60	188	-	3.7	7.5
	SJ-4BG180F/150-01	179.5	75	322	Low-speed coil	7.5	11
	SJ-4BG300C/080-02	299.5	130	295	High-speed coil	7.5	11
					Low-speed coil	11	15
High-speed coil	15	22					

400V SJ-4BGS Series

Motor type	Motor type	Stator outer diameter [mm]	Rotor inner diameter [mm]	Total length of motor [mm]	Coil	Continuous rated output [kW]	Short time rated output [kW]
SPM motor	SJ-4BGS160B/300-01	159.5	80.9	194	-	65	70
	SJ-4BGS210B/120-01	209.5	84	180	Low-speed coil	22	24
					High-speed coil	22	24
	SJ-4BGS240B/120-01	239.5	100	220	Low-speed coil	27	37
High-speed coil					27	37	

400V Tool spindle motor

<HG-JR Series>

HG-JR ① E1 ② W9C- ③

① Rated output · Maximum rotation speed

Symbol	Rated output	Max. rotation speed	Flange size (mm)
734	0.75 kW	8000 r/min	90 SQ.
1534	1.5 kW	8000 r/min	90 SQ.

② Shaft end structure

Symbol	Shaft end structure
None	Straight
K	With keyway (without key)

③ Power connector

Symbol	Connector
S105003	Normal (vertical direction)
S105010	Compact (horizontal direction)

SERVO MOTOR 200V

■HG Series

Motor type		HG46	HG56	HG96
Compatible drive unit	1-axis type MDS-E-V1-	20	20	20
	2-axis type MDS-E-V2-	20	20	40
	3-axis type MDS-E-V3-	20	20	40
	Multi-hybrid type MDS-EM-SPV3-	-	-	10040, 16040, 16040S
	Regenerative resistor type MDS-EJ-V1-	10	15	30
	MDS-EJ-V2-	-	-	30
Output				
Stall torque		0.64	1.3	2.4
Max. torque		2.5	5.0	7.2
Rated output	[kW]	0.2	0.4	0.75
Max. rotation speed	[r/min]	6000	6000	6000
Motor inertia	[x10 ⁻⁴ kg·m ²]	0.234	0.379	1.27
Motor inertia with a brake	[x10 ⁻⁴ kg·m ²]	0.261	0.407	1.37
Degree of protection (The shaft-through portion is excluded.)			IP67	
Outline dimension drawing (Without a brake, Straight shaft)	[mm]			
Flange fitting diameter	[mm]	ø50	ø50	ø70
Shaft diameter	[mm]	ø14	ø14	ø19
Mass (with a brake)	[kg]	1.2(1.6)	1.6(2.0)	2.9(3.7)
Absolute position encoder compatible drive unit	1,048,576[p/rev](D47)	E, EJ	E, EJ	E, EM, EJ

Motor type		HG75	HG105	HG54	HG104	HG154
Compatible drive unit	1-axis type MDS-E-V1-	20	20	40	40	80
	2-axis type MDS-E-V2-	20	20	40	40	80
	3-axis type MDS-E-V3-	20	20	40	40	80
	Multi-hybrid type MDS-EM-SPV3-	10040, 16040, 16040S	10040, 16040, 16040S	10040, 16040, 16040S, 10080, 16080, 20080	10040, 16040, 16040S, 10080, 16080, 20080	10080, 16080, 20080, 200120, 320120
	Regenerative resistor type MDS-EJ-V1-	30	30	30	40	80
	MDS-EJ-V2-	30	30	30	40	-
Output						
Stall torque		2.0	3.0	2.9	5.9	9.0
Max. torque		8.0	11.0	13.0	23.3	42.0
Rated output	[kW]	0.75	1.0	0.5	1.0	1.5
Max. rotation speed	[r/min]	5000	5000	4000	4000	4000
Motor inertia	[x10 ⁻⁴ kg·m ²]	2.62	5.12	6.13	11.9	17.8
Motor inertia with a brake	[x10 ⁻⁴ kg·m ²]	2.70	5.20	8.26	14.0	20.0
Degree of protection (The shaft-through portion is excluded.)		IP67	IP67	IP67	IP67	IP67
Outline dimension drawing (Without a brake, Straight shaft, D48 encoder)	[mm]					
Flange fitting diameter	[mm]	ø80	ø80	ø110	ø110	ø110
Shaft diameter	[mm]	ø14	ø14	ø24	ø24	ø24
Mass (with a brake)	[kg]	2.6(3.6)	4.4(5.3)	4.8(6.7)	6.5(8.5)	8.3(11.0)
Absolute position encoder compatible drive unit	67,108,864 [p/rev] (D74)	E	E	E	E	E
	4,194,304 [p/rev] (D51)	E	E	E	E	E
	1,048,576 [p/rev] (D48)	EM, EJ	EM, EJ	EM, EJ	EM, EJ	EM, EJ

(Note 1) Only the combination designated in this manual can be used for the motor and drive unit. Always use the designated combination.
 (Note 2) Stall torque is the maximum torque that can be output continuously when the motor rotation is stopped.

■HG Series

Motor type		HG224	HG204	HG354
Compatible drive unit	1-axis type MDS-E-V1-	80	-	80
	2-axis type MDS-E-V2-	80	-	80
	3-axis type MDS-E-V3-	160	-	160
	Multi-hybrid type MDS-EM-SPV3-	10080, 16080, 20080, 200120, 320120	-	10080, 16080, 20080, 200120, 320120
	Regenerative resistor type MDS-EJ-V1-	80	80	-
	MDS-EJ-V2-	-	-	100
Output				
Stall torque		12.0	13.7	13.7
Max. torque		46.5	42.0	47.0
Rated output	[kW]	2.2	2.0	3.5
Max. rotation speed	[r/min]	4000	4000	3500
Motor inertia	[x10 ⁻⁴ kg·m ²]	23.7	38.3	75.0
Motor inertia with a brake	[x10 ⁻⁴ kg·m ²]	25.9	47.9	84.7
Degree of protection (The shaft-through portion is excluded.)		IP67	IP67	IP67
Outline dimension drawing (Without a brake, Straight shaft, D48 encoder)	[mm]			
Flange fitting diameter	[mm]	ø110	ø114.3	ø114.3
Shaft diameter	[mm]	ø24	ø35	ø35
Mass (with a brake)	[kg]	10.0(12.0)	12.0(18.0)	19.0(25.0)
Absolute position encoder compatible drive unit	67,108,864 [p/rev] (D74)	E	-	E
	4,194,304 [p/rev] (D51)	E	EJ	E
	1,048,576 [p/rev] (D48)	EM, EJ	-	EM

Motor type		HG123	HG223	HG303	HG453
Compatible drive unit	1-axis type MDS-E-V1-	20	40	80	-
	2-axis type MDS-E-V2-	20	40	80	-
	3-axis type MDS-E-V3-	40	80	160	-
	Multi-hybrid type MDS-EM-SPV3-	10040, 16040, 16040S	10040, 16040, 16040S, 10080, 16080, 20080	10080, 16080, 20080, 200120, 320120	200120, 320120
	Regenerative resistor type MDS-EJ-V1-	40	40	80	-
	MDS-EJ-V2-	40	40	-	-
Output					
Stall torque		7.0	12.0	22.5	30.0
Max. torque		17.0	32.0	64.0	90.0
Rated output	[kW]	1.2	2.2	3.0	4.5
Max. rotation speed	[r/min]	3000	3000	3000	3500
Motor inertia	[x10 ⁻⁴ kg·m ²]	11.9	23.7	75.0	112.0
Motor inertia with a brake	[x10 ⁻⁴ kg·m ²]	14.0	25.9	84.7	122.0
Degree of protection (The shaft-through portion is excluded.)		IP67	IP67	IP67	IP67
Outline dimension drawing (Without a brake, Straight shaft, D48 encoder)	[mm]				
Flange fitting diameter	[mm]	ø110	ø110	ø114.3	ø114.3
Shaft diameter	[mm]	ø24	ø24	ø35	ø35
Mass (with a brake)	[kg]	6.5(8.5)	10.0(12.0)	19.0(25.0)	25.0(31.0)
Absolute position encoder compatible drive unit	67,108,864 [p/rev] (D74)	E	E	E	-
	4,194,304 [p/rev] (D51)	E	E	E	E
	1,048,576 [p/rev] (D48)	EM, EJ	EM, EJ	EM, EJ	EM

(Note 1) Only the combination designated in this manual can be used for the motor and drive unit. Always use the designated combination.
 (Note 2) Stall torque is the maximum torque that can be output continuously when the motor rotation is stopped.

■HG Series

Motor type		HG603	HG702	HG703	HG903	HG1103	
Compatible drive unit	1-axis type MDS-E-V1-	160	160	160W	320	320W	
	2-axis type MDS-E-V2-	160	160	160W	-	-	
	3-axis type MDS-E-V3-	-	-	-	-	-	
	Multi-hybrid type MDS-EM-SPV3-	-	200120, 320120	-	-	-	
	Regenerative resistor type	MDS-EJ-V1-	-	-	-	-	-
		MDS-EJ-V2-	-	-	-	-	-
Output	Stall torque	45.0	41.0	49.0	208.0	225.0	
	Max. torque	152.0	130.0	152.0	58.8	95.5	
Rated output		6.0	7.0	7.0	9.0	11.0	
Max. rotation speed		3000	2000	3000	3000	3000	
Motor inertia		154.0	154.0	154.0	196.0	315.0	
Motor inertia with a brake		164.0	164.0	164.0	206.0	336.0	
Degree of protection (The shaft-through portion is excluded.)		IP67	IP67	IP67	IP67	IP67	
Outline dimension drawing (Without a brake, Straight shaft, D48 encoder)							
(Note) The total length will be 3.5mm longer when using a D51or D74 encoder.		263.5	263.5	263.5	330	438	
Flange fitting diameter		ø114.3	ø114.3	ø114.3	ø180	ø200	
Shaft diameter		ø35	ø35	ø35	ø42	ø55	
Mass (with a brake)		32.0(38.0)	32.0(38.0)	32.0(38.0)	43.0(49.0)	86.0(97.0)	
Absolute position encoder compatible drive unit		67,108,864 [p/rev] (D74)	E	E	E	E	
		4,194,304 [p/rev] (D51)	E, EM	E	E	E	
		1,048,576 [p/rev] (D48)	E	E	E	E	

Motor type		HG142	HG302	
Compatible drive unit	1-axis type MDS-E-V1-	20	40	
	2-axis type MDS-E-V2-	20	40	
	3-axis type MDS-E-V3-	20	40	
	Multi-hybrid type MDS-EM-SPV3-	10040, 16040, 16040S	10040, 16040, 16040S, 10080, 16080, 20080	
	Regenerative resistor type	MDS-EJ-V1-	40	40
		MDS-EJ-V2-	40	40
Output	Stall torque	11.0	20.0	
	Max. torque	26.5	50.0	
Rated output		1.4	3.0	
Max. rotation speed		2000	2000	
Motor inertia		17.8	75.0	
Motor inertia with a brake		20.0	84.7	
Degree of protection (The shaft-through portion is excluded.)		IP67	IP67	
Outline dimension drawing (Without a brake, Straight shaft, D48 encoder)				
(Note) The total length will be 3.5mm longer when using a D51or D74 encoder.		162.5	183.5	
Flange fitting diameter		ø110	ø114.3	
Shaft diameter		ø24	ø35	
Mass (with a brake)		8.3(11.0)	19.0(25.0)	
Absolute position encoder compatible drive unit		67,108,864 [p/rev] (D74)	E	
		4,194,304 [p/rev] (D51)	E, EM, EJ	
		1,048,576 [p/rev] (D48)	E, EM, EJ	

■HK Series

Motor type		HK76	HK105	HK55	
Compatible drive unit	1-axis type MDS-E-V1-	-	20	40	
	2-axis type MDS-E-V2-	-	20, 40	20, 40	
	3-axis type MDS-E-V3-	-	20, 40	20, 40	
	Multi-hybrid type MDS-EM-SPV3-	-	10040, 16040	10040, 16040	
	Regenerative resistor type	MDS-EJ-V1-	30	-	30
		MDS-EJ-V2-	30	-	30
Output	Stall torque	3.0	4.8	3.5	
	Max. torque	8.1	12.5	14.0	
Rated output		0.75	1.0	0.5	
Max. rotation speed		6700	5000	5000	
Motor inertia		2.08	4.36	5.90	
Motor inertia with a brake		2.23	4.51	7.75	
Degree of protection (The shaft-through portion is excluded.)		IP67	IP67	IP67	
Outline dimension drawing (Without a brake, Straight shaft)					
(Note) The total length will be 3.5mm longer when using a D51or D74 encoder.		114.1	149.5	115.5	
Flange fitting diameter		ø80	ø80	ø110	
Shaft diameter		ø14	ø14	ø24	
Mass (with a brake)		2.7(3.6)	4.1(5.0)	5.0(6.8)	
Absolute position encoder compatible drive unit		1,048,576 [p/rev] (G48)	EJ	E, EM	
			E, EM	E, EM	
			E, EM	EJ	
			E, EM	E, EM	

Motor type		HK104	HK123	HK142	
Compatible drive unit	1-axis type MDS-E-V1-	-	40	20	
	2-axis type MDS-E-V2-	-	40, 80	20, 40	
	3-axis type MDS-E-V3-	-	40, 80	20, 40	
	Multi-hybrid type MDS-EM-SPV3-	-	10040, 16040, 10080, 16080, 20080	10040, 16040	
	Regenerative resistor type	MDS-EJ-V1-	40	-	40
		MDS-EJ-V2-	40	-	40
Output	Stall torque	8.6	7.5	11.0	
	Max. torque	24.0	18.0	27.0	
Rated output		1.0	1.2	1.4	
Max. rotation speed		4500	3000	3500	
Motor inertia		11.4	11.4	16.9	
Motor inertia with a brake		13.3	13.3	18.8	
Degree of protection (The shaft-through portion is excluded.)		IP67	IP67	IP67	
Outline dimension drawing (Without a brake, Straight shaft)					
(Note) The total length will be 3.5mm longer when using a D51or D74 encoder.		137.5	137.5	159.5	
Flange fitting diameter		ø110	ø110	ø110	
Shaft diameter		ø24	ø24	ø24	
Mass (with a brake)		7.1(8.8)	7.1(8.8)	9.1(11)	
Absolute position encoder compatible drive unit		1,048,576 [p/rev] (G48)	EJ	E, EM	
			E, EM	E, EM	
			E, EM	E, EM	
			E, EM	E, EM	

(Note 1) Only the combination designated in this manual can be used for the motor and drive unit. Always use the designated combination.
 (Note 2) Stall torque is the maximum torque that can be output continuously when the motor rotation is stopped.

(Note 1) Only the combination designated in this manual can be used for the motor and drive unit. Always use the designated combination.
 (Note 2) Stall torque is the maximum torque that can be output continuously when the motor rotation is stopped.

HK Series

Motor type		HK154			
Compatible drive unit	1-axis type MDS-E-V1-	-	-	-	80
	2-axis type MDS-E-V2-	-	-	-	80, 160
	3-axis type MDS-E-V3-	40	-	80	-
	Multi-hybrid type MDS-EM-SPV3-	-	-	-	10080, 16080, 20080, 200120, 320120
	Regenerative resistor type MDS-EJ-V1- MDS-EJ-V2-	-	80	-	-
Output Stall torque Max. torque	[N·m]				
Rated output	[kW]	1.5			
Max. rotation speed	[r/min]	4000	4500		
Motor inertia	[x10 ⁻⁴ kg·m ²]	16.9			
Motor inertia with a brake	[x10 ⁻⁴ kg·m ²]	18.8			
Degree of protection (The shaft-through portion is excluded.)		IP67			
Outline dimension drawing (Without a brake, Straight shaft)	[mm]				
Flange fitting diameter	[mm]	ø110			
Shaft diameter	[mm]	ø24			
Mass (with a brake)	[kg]	9.1(11)			
Absolute position encoder compatible drive unit	1,048,576 [p/rev] (G48)	E	EJ	E	E, EM

HK Series

Motor type		HK224			
Compatible drive unit	1-axis type MDS-E-V1-	-	-	80	160
	2-axis type MDS-E-V2-	-	-	80	160
	3-axis type MDS-E-V3-	-	-	80	-
	Multi-hybrid type MDS-EM-SPV3-	-	10080, 16080, 20080, 200120, 320120	-	-
	Regenerative resistor type MDS-EJ-V1- MDS-EJ-V2-	80	-	-	-
Output Stall torque Max. torque	[N·m]				
Rated output	[kW]	2.2			
Max. rotation speed	[r/min]	4500			
Motor inertia	[x10 ⁻⁴ kg·m ²]	22.4			
Motor inertia with a brake	[x10 ⁻⁴ kg·m ²]	24.2			
Degree of protection (The shaft-through portion is excluded.)		IP67			
Outline dimension drawing (Without a brake, Straight shaft)	[mm]				
Flange fitting diameter	[mm]	ø110			
Shaft diameter	[mm]	ø24			
Mass (with a brake)	[kg]	11(13)			
Absolute position encoder compatible drive unit	1,048,576 [p/rev] (G48)	EJ	EM	E	E

Motor type		HK223			
Compatible drive unit	1-axis type MDS-E-V1-	-	-	-	40
	2-axis type MDS-E-V2-	-	-	-	40, 80
	3-axis type MDS-E-V3-	-	-	-	40, 80
	Multi-hybrid type MDS-EM-SPV3-	-	10040, 16040, 10080, 16080, 20080	-	-
	Regenerative resistor type MDS-EJ-V1- MDS-EJ-V2-	40	-	-	-
Output Stall torque Max. torque	[N·m]				
Rated output	[kW]	2.2			
Max. rotation speed	[r/min]	3000			
Motor inertia	[x10 ⁻⁴ kg·m ²]	22.4			
Motor inertia with a brake	[x10 ⁻⁴ kg·m ²]	24.2			
Degree of protection (The shaft-through portion is excluded.)		IP67			
Outline dimension drawing (Without a brake, Straight shaft)	[mm]				
Flange fitting diameter	[mm]	ø110			
Shaft diameter	[mm]	ø24			
Mass (with a brake)	[kg]	11(13)			
Absolute position encoder compatible drive unit	1,048,576 [p/rev] (G48)	EJ	EM	E	

Motor type		HK204	HK302	HK303		
Compatible drive unit	1-axis type MDS-E-V1-	-	40	-	80	
	2-axis type MDS-E-V2-	-	80, 160	40, 80	80, 160	
	3-axis type MDS-E-V3-	-	80	40, 80	80	
	Multi-hybrid type MDS-EM-SPV3-	-	10080, 16080, 20080, 200120, 320120	10040, 16040, 10080, 16080, 20080	-	10080, 16080, 20080, 200120, 320120
	Regenerative resistor type MDS-EJ-V1- MDS-EJ-V2-	80	-	40	80	-
Output Stall torque Max. torque	[N·m]					
Rated output	[kW]	2.0	3.0	3.0		
Max. rotation speed	[r/min]	4000	2000	3000		
Motor inertia	[x10 ⁻⁴ kg·m ²]	36.4	70.8	70.8		
Motor inertia with a brake	[x10 ⁻⁴ kg·m ²]	41.4	75.8	75.8		
Degree of protection (The shaft-through portion is excluded.)		IP67	IP67	IP67		
Outline dimension drawing (Without a brake, Straight shaft)	[mm]					
Flange fitting diameter	[mm]	ø114.3	ø114.3	ø114.3		
Shaft diameter	[mm]	ø35	ø35	ø35		
Mass (with a brake)	[kg]	13(18)	20(25)	20(25)		
Absolute position encoder compatible drive unit	1,048,576 [p/rev] (G48)	EJ	E, EM	E, EM, EJ	EJ, E, EM	

(Note 1) Only the combination designated in this manual can be used for the motor and drive unit. Always use the designated combination.
 (Note 2) Stall torque is the maximum torque that can be output continuously when the motor rotation is stopped.

(Note 1) Only the combination designated in this manual can be used for the motor and drive unit. Always use the designated combination.
 (Note 2) Stall torque is the maximum torque that can be output continuously when the motor rotation is stopped.

HK Series

Motor type		HK354			HK453			HK603	
Compatible drive unit	1-axis type	MDS-E-V1-	-	-	160	-	160	160	
	2-axis type	MDS-E-V2-	-	-	160, 160W	-	160, 160W	160	
	3-axis type	MDS-E-V3-	-	-	-	-	-	-	
	Multi-hybrid type	MDS-EM-SPV3-	-	200120, 320120	-	200120, 320120	-	-	
	Regenerative resistor type	MDS-EJ-V1- MDS-EJ-V2-	100	-	-	-	-	-	
Output									
Stall torque									
Max. torque									
Rated output	[kW]		3.5		4.5		6.0		
Max. rotation speed	[r/min]	3500		4000		3500		3000	
Motor inertia	[x10 ⁻⁴ kg·m ²]		70.8		105		140		
Motor inertia with a brake	[x10 ⁻⁴ kg·m ²]		75.8		110		145		
Degree of protection (The shaft-through portion is excluded.)			IP67		IP67		IP67		
Outline dimension drawing (Without a brake, Straight shaft)	[mm]								
Flange fitting diameter	[mm]		ø114.3		ø114.3		ø114.3		
Shaft diameter	[mm]		ø35		ø35		ø35		
Mass (with a brake)	[kg]		20(25)		27(31)		33(38)		
Absolute position encoder compatible drive unit	1,048,576 [p/rev] (G48)		EJ	EM	E	EM	E	E	

Motor type		HK702		HK703	
Compatible drive unit	1-axis type	MDS-E-V1-	-	160	160W
	2-axis type	MDS-E-V2-	-	160	160W
	3-axis type	MDS-E-V3-	-	-	-
	Multi-hybrid type	MDS-EM-SPV3-	200120, 320120	-	-
	Regenerative resistor type	MDS-EJ-V1- MDS-EJ-V2-	-	-	-
Output					
Stall torque					
Max. torque					
Rated output	[kW]		7.0		7.0
Max. rotation speed	[r/min]		2000		3000
Motor inertia	[x10 ⁻⁴ kg·m ²]		140		140
Motor inertia with a brake	[x10 ⁻⁴ kg·m ²]		145		145
Degree of protection (The shaft-through portion is excluded.)			IP67		IP67
Outline dimension drawing (Without a brake, Straight shaft)	[mm]				
Flange fitting diameter	[mm]		ø114.3		ø114.3
Shaft diameter	[mm]		ø35		ø35
Mass (with a brake)	[kg]		33(38)		33(38)
Absolute position encoder compatible drive unit	1,048,576 [p/rev] (G48)		EM		E

(Note 1) Only the combination designated in this manual can be used for the motor and drive unit. Always use the designated combination.
 (Note 2) Stall torque is the maximum torque that can be output continuously when the motor rotation is stopped.

DIRECT-DRIVE MOTOR 200V

TM-RB Series

Motor type	Primary side type		TM-RBP012C20	TM-RBP036E20	TM-RBP048G20	TM-RBP105G10
	Secondary side type		TM-RBS012C20	TM-RBS036E20	TM-RBS048G20	TM-RBS105G10
Compatible drive unit	1-axis type	MDS-E-V1-	40	80	80	160
	2-axis type	MDS-E-V2-	40	80	80	160
	Regenerative resistor type	MDS-EJ-V1-	40	80	80	100
Output						
Rated torque (liquid-cooling)						
Max. torque						
Rated output	[W]		252	754	1005	1100
Max. rotation speed	[r/min]		500	500	500	250
Motor inertia	[x10 ⁻⁴ kg·m ²]		22	127	280	395
Degree of protection			IP00	IP00	IP00	IP00
Outline dimension drawing	[mm]					
Mass	[kg]					
Primary side (coil)			3.9	7.1	10	13
Secondary side (magnet)			1.7	3.7	5	7

Motor type	Primary side type		TM-RBP105G20	TM-RBP150G20	TM-RBP340J20	TM-RBP500J20
	Secondary side type		TM-RBS105G20	TM-RBS150G20	TM-RBS340J20	TM-RBS500J20
Compatible drive unit	1-axis type	MDS-E-V1-	160	160	320	320W
	2-axis type	MDS-E-V2-	160	160	-	-
	Regenerative resistor type	MDS-EJ-V1-	-	-	-	-
Output						
Rated torque (liquid-cooling)						
Max. torque						
Rated output	[W]		2199	3141	7120	10471
Max. rotation speed	[r/min]		500	500	400	400
Motor inertia	[x10 ⁻⁴ kg·m ²]		395	510	2778	3538
Degree of protection			IP00	IP00	IP00	IP00
Outline dimension drawing	[mm]					
Mass	[kg]					
Primary side (coil)			13	16	33	41
Secondary side (magnet)			7	9	20	26

(Note 1) The encoder should be procured by the user.
 (Note 2) Only the combination designated in this manual can be used for the motor and drive unit. Always use the designated combination.

LINEAR SERVO MOTOR 200V

LM-F Series

Motor type	Primary side type		LM-FP2A-03M-1WW0	LM-FP2B-06M-1WW0	LM-FP2D-12M-1WW0	LM-FP2F-18M-1WW0
	Secondary side type		LM-FS20-□-1WW0	LM-FS20-□-1WW0	LM-FS20-□-1WW0	LM-FS20-□-1WW0
Compatible drive unit	1-axis type	MDS-E-V1-	40	40	80	160 160W
	2-axis type	MDS-E-V2-	40	40	80	160 160W
	3-axis type	MDS-E-V3-	40	40	80	-
	Regenerative resistor type	MDS-EJ-V1- MDS-EJ-V2-	40 40	40 40	80 -	- -
Thrust force			[N]			
Continuous (natural-cooling)						
Continuous (liquid-cooling)						
Maximum						
Rated thrust			[N]			
Maximum speed (Note 1)			[m/s]			
Magnetic attraction force			[N]			
Degree of protection			IP00			
Outline dimension drawing			[mm]			
Primary side (coil)			5, 9, 18, 27			
Secondary side (magnet)			5.8(384mm), 7.1(480mm), 9.0(576mm)			

Motor type	Primary side type		LM-FP4B-12M-1WW0	LM-FP4D-24M-1WW0	LM-FP4F-36M-1WW0	LM-FP4H-48M-1WW0
	Secondary side type		LM-FS40-□-1WW0	LM-FS40-□-1WW0	LM-FS40-□-1WW0	LM-FS40-□-1WW0
Compatible drive unit	1-axis type	MDS-E-V1-	80	160 160W	320 320W	320 320W
	2-axis type	MDS-E-V2-	80	160 160W	-	-
	3-axis type	MDS-E-V3-	80	-	-	-
	Regenerative resistor type	MDS-EJ-V1- MDS-EJ-V2-	80 -	- -	- -	- -
Thrust force			[N]			
Continuous (natural-cooling)						
Continuous (liquid-cooling)						
Maximum						
Rated thrust			[N]			
Maximum speed (Note 1)			[m/s]			
Magnetic attraction force			[N]			
Degree of protection			IP00			
Outline dimension drawing			[mm]			
Primary side (coil)			14, 28, 42, 56			
Secondary side (magnet)			13.5(480mm), 16.0(576mm)			

(Note 1) The maximum speed in actual use is either the linear scale's maximum speed or this specified value, whichever is smaller.
 (Note 2) Only the combination designated in this manual can be used for the motor and drive unit. Always use the designated combination.

LM-F Series (Dual-axis drive unit)

Motor type	Primary side type		LM-FP2A-03M-1WW0	LM-FP2B-06M-1WW0	LM-FP2D-12M-1WW0	LM-FP2F-18M-1WW0
	Secondary side type		LM-FS20-□-1WW0	LM-FS20-□-1WW0	LM-FS20-□-1WW0	LM-FS20-□-1WW0
Compatible drive unit	1-axis type	MDS-E-V1-	80	80	160 160W	320 320W
	2-axis type	MDS-E-V2-	80	80	160 160W	-
	Regenerative resistor type	MDS-EJ-V1-	80	80	-	-
Thrust force			[N]			
Continuous (natural-cooling)						
Continuous (liquid-cooling)						
Maximum						
Rated thrust			[N]			
Maximum speed (Note 1)			[m/s]			
Magnetic attraction force (per motor)			[N]			
Degree of protection			IP00			
Outline dimension drawing			[mm]			
Primary side (coil)			5x2, 9x2, 18x2, 27x2			
Secondary side (magnet)			5.8(384mm), 7.1(480mm), 9.0(576mm)			

Motor type	Primary side type		LM-FP4B-12M-1WW0	LM-FP4D-24M-1WW0
	Secondary side type		LM-FS40-□-1WW0	LM-FS40-□-1WW0
Compatible drive unit	1-axis type	MDS-E-V1-	160 160W	320 320W
	2-axis type	MDS-E-V2-	160 160W	-
	Regenerative resistor type	MDS-EJ-V1-	-	-
Thrust force			[N]	
Continuous (natural-cooling)				
Continuous (liquid-cooling)				
Maximum				
Rated thrust			[N]	
Maximum speed (Note 1)			[m/s]	
Magnetic attraction force (per motor)			[N]	
Degree of protection			IP00	
Outline dimension drawing			[mm]	
Primary side (coil)			14x2, 28x2	
Secondary side (magnet)			13.5(480mm), 16.0(576mm)	

(Note 1) The maximum speed in actual use is either the linear scale's maximum speed or this specified value, whichever is smaller.
 (Note 2) Only the combination designated in this manual can be used for the motor and drive unit. Always use the designated combination.

SPINDLE MOTOR 200V

■SJ-D Series (Normal specifications)

Motor type		SJ-D3.7/100-01	SJ-D5.5/100-01	SJ-D5.5/120-01	SJ-D5.5/120-02		
Compatible drive unit	1-axis type MDS-E-SP-	80	80	80	-	160	200
	2-axis type MDS-E-SP2-	80 16080(M)	80 16080(M)	80 16080(M)	-	16080(L)	-
	Multi-hybrid type MDS-EM-SPV3-	-	10040, 10080, 16040S	10040, 10080, 16040S	10040, 10080	16040, 16080, 16040S	20080, 200120
	Regenerative resistor type MDS-EJ-SP-	80	100	100	-	-	-
Output							
Standard output during acceleration/deceleration [kW]	3.7	5.5	5.5	7.5	9.2	10.4	
Actual acceleration/deceleration output (Note 2) [kW]	4.4	6.6	6.6	9	11.0	12.5	
Continuous base rotation speed [r/min]	1500	1500	1500	2800	2800	2800	
Max. rotation speed in constant output range [r/min]	6000	6000	6000	8000	8000	8000	
Maximum rotation speed [r/min]	10000	10000	12000	12000	12000	12000	
Continuous rated torque [N·m]	14.0	23.6	23.6	12.6	12.6	12.6	
Motor inertia [kg·m ²]	0.0074	0.013	0.013	0.0074	0.0074	0.0074	
Degree of protection (The shaft-through portion is excluded.)	IP54	IP54	IP54	IP54	IP54	IP54	
Outline dimension drawing (flange type) [mm]							
Flange fitting diameter [mm]	ø150	ø150	ø150	ø150			
Shaft diameter [mm]	ø28	ø28	ø28	ø28			
Mass [kg]	26	39	39	26			
With leg	Possible	Possible	Possible	Possible			

■SJ-D Series (Normal specifications)

Motor type		SJ-D22/80-01		SJ-D26/80-01
Compatible drive unit	1-axis type MDS-E-SP-	240	320	320
	2-axis type MDS-E-SP2-	-	-	-
	Multi-hybrid type MDS-EM-SPV3-	-	-	-
	Regenerative resistor type MDS-EJ-SP-	-	320120	320120
Output				
Standard output during acceleration/deceleration [kW]	22.0	30.0	35.0	
Actual acceleration/deceleration output (Note 2) [kW]	26.4	36.0	42.0	
Continuous base rotation speed [r/min]	1500	1500	1500	
Max. rotation speed in constant output range [r/min]	6000	6000	6000	
Maximum rotation speed [r/min]	8000	8000	8000	
Continuous rated torque [N·m]	118	140	140	
Motor inertia [kg·m ²]	0.14	0.16	0.16	
Degree of protection (The shaft-through portion is excluded.)	IP54	IP54	IP54	
Outline dimension drawing (flange type) [mm]				
Flange fitting diameter [mm]	ø230		ø230	
Shaft diameter [mm]	ø55		ø55	
Mass [kg]	131		147	
With leg	under development		under development	

■SJ-D Series (Hollow shaft specifications)

Motor type		SJ-D3.7/100-01T-S	SJ-D5.5/100-01T-S	SJ-D5.5/120-01T-S
Compatible drive unit	1-axis type MDS-E-SP-	80	80	80
	2-axis type MDS-E-SP2-	80 16080(M)	80 16080(M)	80 16080(M)
	Multi-hybrid type MDS-EM-SPV3-	-	10040, 10080, 16040S	10040, 10080, 16040S
	Regenerative resistor type MDS-EJ-SP-	80	100	100
Output				
Standard output during acceleration/deceleration [kW]	3.7	5.5	5.5	
Actual acceleration/deceleration output (Note 2) [kW]	4.4	6.6	6.6	
Continuous base rotation speed [r/min]	1500	1500	1500	
Max. rotation speed in constant output range [r/min]	6000	6000	6000	
Maximum rotation speed [r/min]	10000	10000	12000	
Continuous rated torque [N·m]	14.0	23.6	23.6	
Motor inertia [kg·m ²]	0.0075	0.013	0.013	
Degree of protection (The shaft-through portion is excluded.)	IP54	IP54	IP54	
Outline dimension drawing (flange type) [mm]				
Flange fitting diameter [mm]	ø150	ø150	ø150	
Shaft diameter [mm]	ø28	ø28	ø28	
Mass [kg]	24	37	37	
With leg	Not possible	Not possible	Not possible	

Motor type		SJ-D7.5/100-01	SJ-D7.5/120-01	SJ-D11/100-01	SJ-D15/80-01	SJ-D18.5/80-01	
Compatible drive unit	1-axis type MDS-E-SP-	160	160	160	200	240	320
	2-axis type MDS-E-SP2-	16080(L)	16080(L)	16080(L)	-	-	-
	Multi-hybrid type MDS-EM-SPV3-	10040, 10080, 16040S	10040, 10080, 16040S	16040, 16080, 16040S	20080, 200120	-	320120
	Regenerative resistor type MDS-EJ-SP-	120	120	160	-	-	-
Output							
Standard output during acceleration/deceleration [kW]	7.5	7.5	11	18.5	18.5	25.0	
Actual acceleration/deceleration output (Note 2) [kW]	9	9	13.2	22.2	22.2	30.0	
Continuous base rotation speed [r/min]	1500	1500	1500	1500	1500	1500	
Max. rotation speed in constant output range [r/min]	6000	6000	4500	6000	6000	6000	
Maximum rotation speed [r/min]	10000	12000	10000	8000	8000	8000	
Continuous rated torque [N·m]	35.0	35.0	47.7	70.0	95.5	95.5	
Motor inertia [kg·m ²]	0.023	0.023	0.031	0.086	0.10	0.10	
Degree of protection (The shaft-through portion is excluded.)	IP54	IP54	IP54	IP54	IP54	IP54	
Outline dimension drawing (flange type) [mm]							
Flange fitting diameter [mm]	ø180	ø180	ø180	ø230	ø230		
Shaft diameter [mm]	ø32	ø32	ø48	ø48	ø48		
Mass [kg]	53	53	64	93	103		
With leg	Possible	Possible	Possible	under development	under development		

(Note 1) Only the combination designated in this manual can be used for the motor and drive unit. Always use the designated combination.
 (Note 2) Actual acceleration/deceleration output is 1.2-fold of "Standard output during acceleration/deceleration" or "Short time rated output".
 (Note 3) IP code classifies the degree of protection of the motor body. It does not apply to the other electronic parts such as the cooling fan and the encoder.

(Note 1) Only the combination designated in this manual can be used for the motor and drive unit. Always use the designated combination.
 (Note 2) Actual acceleration/deceleration output is 1.2-fold of "Standard output during acceleration/deceleration" or "Short time rated output".
 (Note 3) IP code classifies the degree of protection of the motor body. It does not apply to the other electronic parts such as the cooling fan and the encoder.

■SJ-D Series (Hollow shaft specifications)

Motor type		SJ-D5.5/120-02T-S		
Compatible drive unit	1-axis type	MDS-E-SP-	160	200
	2-axis type	MDS-E-SP2-	16080(L)	-
	Multi-hybrid type	MDS-EM-SPV3-	10040, 10080	16040, 16080, 16040S
	Regenerative resistor type	MDS-EJ-SP-	-	-
Output				
Standard output during acceleration/deceleration [kW]		7.5	9.2	10.4
Actual acceleration/deceleration output (Note 2) [kW]		9	11.0	12.5
Continuous base rotation speed [r/min]		2800	2800	2800
Max. rotation speed in constant output range [r/min]		8000	8000	8000
Maximum rotation speed [r/min]		12000	12000	12000
Continuous rated torque [N·m]		12.6	12.6	12.6
Motor inertia [kg·m ²]		0.0075	0.0075	0.0075
Degree of protection (The shaft-through portion is excluded.)		IP54	IP54	IP54
Outline dimension drawing (flange type) [mm]				
Flange fitting diameter [mm]		ø150		
Shaft diameter [mm]		ø28		
Mass [kg]		24		
With leg		Not possible		

■SJ-DG Series (High-output specifications)

Motor type		SJ-DG3.7/120-03T	SJ-DG5.5/120-04T	SJ-DG7.5/120-05T	SJ-DG11/100-03T	
Compatible drive unit	1-axis type	MDS-E-SP-	160	160	160	200
	2-axis type	MDS-E-SP2-	-	-	-	-
	Multi-hybrid type	MDS-EM-SPV3-	10040, 10080, 16040S	16040, 16080, 16040S	16040, 16080, 16040S	20080, 200120
	Regenerative resistor type	MDS-EJ-SP-	-	-	-	-
Output						
Standard output during acceleration/deceleration [kW]		5.5	7.5	11.0	15.0	
Actual acceleration/deceleration output (Note 2) [kW]		6.6	9.0	13.2	18.0	
Continuous base rotation speed [r/min]		1500	1500	1500	1500	
Max. rotation speed in constant output range [r/min]		10000	7000	8000	6000	
Maximum rotation speed [r/min]		12000	12000	12000	10000	
Continuous rated torque [N·m]		14.0	23.6	35.0	47.7	
Motor inertia [kg·m ²]		0.0066	0.012	0.022	0.029	
Degree of protection (The shaft-through portion and rotation seal portion are excluded.)		IP54	IP54	IP54	IP54	
Outline dimension drawing (flange type) [mm]						
Flange fitting diameter [mm]		ø150	ø150	ø180	ø180	
Shaft diameter [mm]		ø28	ø28	ø32	ø48	
Mass [kg]		24	37	50	61	
With leg		Not possible	Not possible	Not possible	Not possible	

Motor type		SJ-D7.5/100-01T-S	SJ-D7.5/120-01T-S	SJ-D11/100-01T-S	
Compatible drive unit	1-axis type	MDS-E-SP-	160	160	160
	2-axis type	MDS-E-SP2-	16080(L)	16080(L)	16080(L)
	Multi-hybrid type	MDS-EM-SPV3-	10040, 10080, 16040S	10040, 10080, 16040S	16040, 16080, 16040S
	Regenerative resistor type	MDS-EJ-SP-	120	120	160
Output					
Standard output during acceleration/deceleration [kW]		7.5	7.5	11	
Actual acceleration/deceleration output (Note 2) [kW]		9	9	13.2	
Continuous base rotation speed [r/min]		1500	1500	1500	
Max. rotation speed in constant output range [r/min]		6000	6000	4500	
Maximum rotation speed [r/min]		10000	12000	10000	
Continuous rated torque [N·m]		35.0	35.0	47.7	
Motor inertia [kg·m ²]		0.024	0.024	0.030	
Degree of protection (The shaft-through portion is excluded.)		IP54	IP54	IP54	
Outline dimension drawing (flange type) [mm]					
Flange fitting diameter [mm]		ø180	ø180	ø180	
Shaft diameter [mm]		ø32	ø32	ø38	
Mass [kg]		50	50	61	
With leg		Not possible	Not possible	Not possible	

Motor type		SJ-DG11/120-03T		SJ-DG11/120-12T-K	
Compatible drive unit	1-axis type	MDS-E-SP-	160	200	200
	2-axis type	MDS-E-SP2-	16080(L)	-	-
	Multi-hybrid type	MDS-EM-SPV3-	16040, 16080, 16040S	20080, 200120	20080, 200120
	Regenerative resistor type	MDS-EJ-SP-	-	-	-
Output					
Standard output during acceleration/deceleration [kW]		11	15	18.5	18.5
Actual acceleration/deceleration output (Note 2) [kW]		13.2	18	22.2	22.2
Continuous base rotation speed [r/min]		1500	1500	1500	3700
Max. rotation speed in constant output range [r/min]		6000	6000	3700	10000
Maximum rotation speed [r/min]		12000	12000	3700	12000
Continuous rated torque [N·m]		47.7	47.7	57.3	28.4
Motor inertia [kg·m ²]		0.029	0.029	0.029	0.029
Degree of protection (The shaft-through portion and rotation seal portion are excluded.)		IP54	IP54	IP54	IP54
Outline dimension drawing (flange type) [mm]					
Flange fitting diameter [mm]		ø180	ø180	ø180	ø180
Shaft diameter [mm]		ø48	ø48	ø48	ø48
Mass [kg]		61	61	61	61
With leg		Not possible	Not possible	Not possible	Not possible

(Note 1) Only the combination designated in this manual can be used for the motor and drive unit. Always use the designated combination.
 (Note 2) Actual acceleration/deceleration output is 1.2-fold of "Standard output during acceleration/deceleration" or "Short time rated output".
 (Note 3) IP code classifies the degree of protection of the motor body. It does not apply to the other electronic parts such as the cooling fan and the encoder.

(Note 1) Only the combination designated in this manual can be used for the motor and drive unit. Always use the designated combination.
 (Note 2) Actual acceleration/deceleration output is 1.2-fold of "Standard output during acceleration/deceleration" or "Short time rated output".
 (Note 3) IP code classifies the degree of protection of the motor body. It does not apply to the other electronic parts such as the cooling fan and the encoder.

■SJ-DG Series (High-output specifications)

Motor type		SJ-DG11/150-06T			SJ-DG11/150-15T-K	
Compatible drive unit	1-axis type	MDS-E-SP-160	200	200	200	
	2-axis type	MDS-E-SP2-16080(L)	-	-	-	
	Multi-hybrid type	MDS-EM-SPV3-16040, 16080, 16040S	20080, 200120	20080, 200120	20080, 200120	
	Regenerative resistor type	MDS-EJ-SP-	-	-	-	
Output Actual acceleration/ deceleration %ED rating Short-time rating Continuous rating						
	Standard output during acceleration/deceleration [kW]		11		18.5	
	Actual acceleration/deceleration output (Note 2) [kW]		13.2		22.2	
	Continuous base rotation speed [r/min]		1500		1500	
	Max. rotation speed in constant output range [r/min]		6000		8000	
Maximum rotation speed [r/min]		15000		15000		
Continuous rated torque [N·m]		47.7		47.7		
Motor inertia [kg·m ²]		0.028			0.028	
Degree of protection (The shaft-through portion and rotation seal portion are excluded.)		IP54			IP54	
Outline dimension drawing (flange type)						
	[mm]		489		489	
Flange fitting diameter [mm]		ø180		ø180		
Shaft diameter [mm]		ø38		ø38		
Mass [kg]		60		60		
With leg		Not possible		Not possible		

■SJ-DG Series (Hollow shaft specifications)

Motor type		SJ-DG3.7/120-03T-S	SJ-DG5.5/120-04T-S	SJ-DG5.5/120-04T-S	SJ-DG11/100-03T-S	
Compatible drive unit	1-axis type	MDS-E-SP-160	160	160	200	
	2-axis type	MDS-E-SP2-	-	-	-	
	Multi-hybrid type	MDS-EM-SPV3-10040, 10080, 16040S	16040, 16080, 16040S	16040, 16080, 16040S	16040, 16080, 16040S	
	Regenerative resistor type	MDS-EJ-SP-	-	-	-	
Output Actual acceleration/ deceleration %ED rating Short-time rating Continuous rating						
	Standard output during acceleration/deceleration [kW]		5.5		7.5	
	Actual acceleration/deceleration output (Note 2) [kW]		6.6		9.0	
	Continuous base rotation speed [r/min]		1500		1500	
	Max. rotation speed in constant output range [r/min]		10000		8000	
Maximum rotation speed [r/min]		12000		12000		
Continuous rated torque [N·m]		14.0		23.6		
Motor inertia [kg·m ²]		0.075		0.013		
Degree of protection (The shaft-through portion and rotation seal portion are excluded.)		IP54		IP54		
Outline dimension drawing (flange type)						
	[mm]		327		417	
Flange fitting diameter [mm]		ø150		ø150		
Shaft diameter [mm]		ø28		ø32		
Mass [kg]		22		47		
With leg		Not possible		Not possible		

Motor type		SJ-DG15/120-02T-K				
Compatible drive unit	1-axis type	MDS-E-SP-200	240	-	-	
	2-axis type	MDS-E-SP2-	-	-	-	
	Multi-hybrid type	MDS-EM-SPV3-20080, 200120	-	-	-	
	Regenerative resistor type	MDS-EJ-SP-	-	-	-	
Output Actual acceleration/ deceleration Acceleration/Deceleration %ED rating Short-time rating Continuous rating						
	Standard output during acceleration/deceleration [kW]		18.5		28	
	Actual acceleration/deceleration output (Note 2) [kW]		22.2		33.6	
	Continuous base rotation speed [r/min]		1350		1350	
	Max. rotation speed in constant output range [r/min]		6500		12000	
Maximum rotation speed [r/min]		12000		12000		
Continuous rated torque [N·m]		77.8		29.6		
Motor inertia [kg·m ²]		0.086				
Degree of protection (The shaft-through portion and rotation seal portion are excluded.)		IP54				
Outline dimension drawing (flange type)						
	[mm]		438.5		488	
Flange fitting diameter [mm]		ø230		ø180		
Shaft diameter [mm]		ø48		ø38		
Mass [kg]		93		61		
With leg		Not possible		Not possible		

Motor type		SJ-DG11/120-03T-S		SJ-DG11/120-12T-KS		
Compatible drive unit	1-axis type	MDS-E-SP-160	200	200		
	2-axis type	MDS-E-SP2-16080(L)	-	-		
	Multi-hybrid type	MDS-EM-SPV3-16040, 16080, 16040S	20080, 200120	20080, 200120		
	Regenerative resistor type	MDS-EJ-SP-	-	-		
Output Actual acceleration/ deceleration %ED rating Short-time rating Continuous rating						
	Standard output during acceleration/deceleration [kW]		11		18.5	
	Actual acceleration/deceleration output (Note 2) [kW]		13.2		22.2	
	Continuous base rotation speed [r/min]		1500		1500	
	Max. rotation speed in constant output range [r/min]		6000		3700	
Maximum rotation speed [r/min]		12000		12000		
Continuous rated torque [N·m]		47.7		57.3		
Motor inertia [kg·m ²]		0.030		0.030		
Degree of protection (The shaft-through portion and rotation seal portion are excluded.)		IP54		IP54		
Outline dimension drawing (flange type)						
	[mm]		488		488	
Flange fitting diameter [mm]		ø180		ø180		
Shaft diameter [mm]		ø38		ø38		
Mass [kg]		58		61		
With leg		Not possible		Not possible		

*1 The cycle times for 15%ED rating are 5 minutes.
 (Note 1) Only the combination designated in this manual can be used for the motor and drive unit. Always use the designated combination.
 (Note 2) Actual acceleration/deceleration output is 1.2-fold of "Standard output during acceleration/deceleration" or "Short time rated output".
 (Note 3) IP code classifies the degree of protection of the motor body. It does not apply to the other electronic parts such as the cooling fan and the encoder.

(Note 1) Only the combination designated in this manual can be used for the motor and drive unit. Always use the designated combination.
 (Note 2) Actual acceleration/deceleration output is 1.2-fold of "Standard output during acceleration/deceleration" or "Short time rated output".
 (Note 3) IP code classifies the degree of protection of the motor body. It does not apply to the other electronic parts such as the cooling fan and the encoder.

■SJ-DG Series (Hollow shaft specifications)

Motor type		SJ-DG11/150-06T-S		SJ-DG11/150-15T-KS	
Compatible drive unit	1-axis type	MDS-E-SP-	160	200	200
	2-axis type	MDS-E-SP2-	16080(L)	-	-
	Multi-hybrid type	MDS-EM-SPV3-	16040, 16080, 16040S	20080, 200120	20080, 200120
	Regenerative resistor type	MDS-EJ-SP-	-	-	-
Output	Actual acceleration/deceleration				
	%ED rating				
	Short-time rating				
	Continuous rating				
	Standard output during acceleration/deceleration [kW]	11	15	18.5	18.5
Actual acceleration/deceleration output (Note 2) [kW]	13.2	18	22.2	22.2	
Continuous base rotation speed [r/min]	1500	1500	1500	3000	
Max. rotation speed in constant output range [r/min]	6000	6000	3000	8000	
Maximum rotation speed [r/min]	15000	15000	3000	15000	
Continuous rated torque [N·m]	47.7	47.7	47.7	23.9	
Motor inertia [kg·m ²]	-	0.030	-	0.030	
Degree of protection (The shaft-through portion and rotation seal portion are excluded.)	-	IP54	-	IP54	
Outline dimension drawing (flange type)					
	[mm]	204 SQ.	204 SQ.	204 SQ.	
Flange fitting diameter [mm]	ø180	ø180	ø180	ø180	
Shaft diameter [mm]	ø38	ø38	ø38	ø38	
Mass [kg]	61	61	61	61	
With leg	-	Not possible	-	Not possible	

■SJ-DJ Series (Compact & lightweight specifications)

Motor type		SJ-DJ5.5/100-01	SJ-DJ5.5/120-01	SJ-DJ7.5/100-01	
Compatible drive unit	1-axis type	MDS-E-SP-	80	80	160
	2-axis type	MDS-E-SP2-	80	80	16080(M)
	Multi-hybrid type	MDS-EM-SPV3-	16080(M)	16080(M)	16080(M)
	Regenerative resistor type	MDS-EJ-SP-	10040, 10080, 16040S	10040, 10080, 16040S	10040, 10080, 16040S
Output	Actual acceleration/deceleration				
	%ED rating				
	Short-time rating				
	Continuous rating				
	Standard output during acceleration/deceleration [kW]	5.5	5.5	7.5	
Actual acceleration/deceleration output (Note 2) [kW]	6.6	6.6	9		
Base rotation speed [r/min]	1500	1500	1500		
Max. rotation speed in constant output range [r/min]	2000	2000	2000		
Maximum rotation speed [r/min]	4500	4500	4500		
Continuous rated torque [N·m]	17.7	17.7	26.3		
Motor inertia [kg·m ²]	0.0074	0.0074	0.013		
Degree of protection (The shaft-through portion is excluded.)	IP54	IP54	IP54		
Outline dimension drawing (flange type)					
	[mm]	174 SQ.	174 SQ.	174 SQ.	
Flange fitting diameter [mm]	ø150	ø150	ø150		
Shaft diameter [mm]	ø28	ø28	ø28		
Mass [kg]	26	26	39		
With leg	Possible	Possible	Possible		

Motor type		SJ-DG15/120-02T-KS			
Compatible drive unit	1-axis type	MDS-E-SP-	200	240	-
	2-axis type	MDS-E-SP2-	-	-	-
	Multi-hybrid type	MDS-EM-SPV3-	20080, 200120	-	-
	Regenerative resistor type	MDS-EJ-SP-	-	-	-
Output	Actual acceleration/deceleration				
	%ED rating				
	Short-time rating				
	Continuous rating				
	Standard output during acceleration/deceleration [kW]	18.5	18.5	25	28
Actual acceleration/deceleration output (Note 2) [kW]	22.2	22.2	30	33.6	
Continuous base rotation speed [r/min]	1350	3550	1350	3550	
Max. rotation speed in constant output range [r/min]	6500	12000	6500	12000	
Maximum rotation speed [r/min]	12000	12000	12000	12000	
Continuous rated torque [N·m]	77.8	29.6	77.8	29.6	
Motor inertia [kg·m ²]	-	0.086	-	-	
Degree of protection (The shaft-through portion and rotation seal portion are excluded.)	-	IP54	-	-	
Outline dimension drawing (flange type)					
	[mm]	260 SQ.	260 SQ.	260 SQ.	
Flange fitting diameter [mm]	ø230	ø230	ø230	ø230	
Shaft diameter [mm]	ø48	ø48	ø48	ø48	
Mass [kg]	88	88	88	88	
With leg	-	Not possible	-	Not possible	

Motor type		SJ-DJ7.5/120-01	SJ-DJ11/100-01	SJ-DJ15/80-01	
Compatible drive unit	1-axis type	MDS-E-SP-	160	160	200
	2-axis type	MDS-E-SP2-	16080(L)	16080(L)	-
	Multi-hybrid type	MDS-EM-SPV3-	10040, 10080, 16040S	16040, 16080, 16040S	20080, 200120
	Regenerative resistor type	MDS-EJ-SP-	120	160	-
Output	Actual acceleration/deceleration				
	%ED rating				
	Short-time rating				
	Continuous rating				
	Standard output during acceleration/deceleration [kW]	7.5	11	15	
Actual acceleration/deceleration output (Note 2) [kW]	9	13.2	18		
Base rotation speed [r/min]	1500	1500	1500		
Max. rotation speed in constant output range [r/min]	2000	2000	2000		
Maximum rotation speed [r/min]	4500	4500	4000		
Continuous rated torque [N·m]	12000	10000	8000		
Motor inertia [kg·m ²]	26.3	35.8	52.5		
Degree of protection (The shaft-through portion is excluded.)	0.013	0.023	0.031		
Degree of protection (The shaft-through portion is excluded.)	IP54	IP54	IP54		
Outline dimension drawing (flange type)					
	[mm]	174 SQ.	204 SQ.	204 SQ.	
Flange fitting diameter [mm]	ø150	ø180	ø180		
Shaft diameter [mm]	ø28	ø32	ø48		
Mass [kg]	39	53	64		
With leg	Possible	Possible	Possible		

*1 The cycle times for 15%ED rating are 5 minutes.

(Note 1) Only the combination designated in this manual can be used for the motor and drive unit. Always use the designated combination.

(Note 2) Actual acceleration/deceleration output is 1.2-fold of "Standard output during acceleration/deceleration" or "Short time rated output".

(Note 3) IP code classifies the degree of protection of the motor body. It does not apply to the other electronic parts such as the cooling fan and the encoder.

(Note 1) Only the combination designated in this manual can be used for the motor and drive unit. Always use the designated combination.

(Note 2) Actual acceleration/deceleration output is 1.2-fold of "Standard output during acceleration/deceleration" or "Short time rated output".

(Note 3) %ED is a load time ratio of operating time relative to a 10-minute cycle time. At 25%ED, for example, the operating time is 2.5 minutes and non-operation time is 7.5 minutes of a 10-minute cycle time.

(Note 4) IP code classifies the degree of protection of the motor body. It does not apply to the other electronic parts such as the cooling fan and the encoder.

■SJ-DL Series (Low-inertia specifications)

Motor type		SJ-DL0.75/100-01	SJ-DL1.5/100-01	SJ-DL3.7/240-01T
Compatible drive unit	1-axis type	MDS-E-SP-20	40	200
	2-axis type	MDS-E-SP2-20	40	-
	Multi-hybrid type	MDS-EM-SPV3-	-	20080, 200120
	Regenerative resistor type	MDS-EJ-SP-40	80	-
Output	Actual acceleration/deceleration			
	Acceleration/Deceleration	0.4	0.75	1.5
	Short-time rating	0.75	1.5	3.7
	Continuous rating	0.75	1.5	15.0
Standard output during acceleration/deceleration [kW]		0.75	1.5	15.0
Actual acceleration/deceleration output (Note 2) [kW]		0.9	1.8	18.0
Continuous base rotation speed [r/min]		1500	1500	3000
Max. rotation speed in constant output range [r/min]		10000	10000	24000
Maximum rotation speed [r/min]		10000	10000	24000
Continuous rated torque [N · m]		2.55	4.8	4.8
Motor inertia [kg · m ²]		0.0011	0.0019	0.0024
Degree of protection (The shaft-through portion is excluded.)		IP54	IP54	IP54
Outline dimension drawing (flange type) [mm]				
Flange fitting diameter [mm]		ø110	ø110	ø110
Shaft diameter [mm]		ø22	ø22	ø22
Mass [kg]		10	14	17
With leg		Not possible	Not possible	Not possible

■SJ-DL Series (Hollow shaft specifications)

Motor type		SJ-DL0.75/100-01T-S	SJ-DL1.5/100-01T-S	SJ-DL3.7/240-01T-S	SJ-DL5.5/150-01T-S
Compatible drive unit	1-axis type	MDS-E-SP-20	40	200	160
	2-axis type	MDS-E-SP2-20	40	-	16080(L)
	Multi-hybrid type	MDS-EM-SPV3-	-	-	20080, 200120
	Regenerative resistor type	MDS-EJ-SP-40	80	-	-
Output	Actual acceleration/deceleration				
	Acceleration/Deceleration	0.4	0.75	1.5	3.7
	Short-time rating	0.75	1.5	3.7	5.5
	Continuous rating	0.75	1.5	15.0	11
Standard output during acceleration/deceleration [kW]		0.75	1.5	15.0	11
Actual acceleration/deceleration output (Note 2) [kW]		0.9	1.8	18.0	13.2
Continuous base rotation speed [r/min]		1500	1500	3000	2500
Max. rotation speed in constant output range [r/min]		10000	10000	24000	15000
Maximum rotation speed [r/min]		10000	10000	24000	15000
Continuous rated torque [N · m]		2.55	4.8	4.8	14.1
Motor inertia [kg · m ²]		0.0012	0.0020	0.0025	0.0046
Degree of protection (The shaft-through portion and rotation seal portion are excluded.)		IP54	IP54	IP54	IP54
Outline dimension drawing (flange type) [mm]					
Flange fitting diameter [mm]		ø110	ø110	ø110	ø150
Shaft diameter [mm]		ø22	ø22	ø22	ø28
Mass [kg]		9	13	16	28
With leg		Not possible	Not possible	Not possible	Not possible

Motor type		SJ-DL5.5/150-01T	SJ-DL5.5/200-01T	SJ-DL5.5/240-05T	SJ-DL7.5/150-01T
Compatible drive unit	1-axis type	MDS-E-SP-160	160	200	160
	2-axis type	MDS-E-SP2-16080(L)	16080(L)	-	16080(L)
	Multi-hybrid type	MDS-EM-SPV3-16040, 16080, 16040S	-	20080, 200120	16040, 16080, 16040S
	Regenerative resistor type	MDS-EJ-SP-	-	-	-
Output	Actual acceleration/deceleration				
	Acceleration/Deceleration	3.7	3.7	7.5	5.5
	Short-time rating	5.5	5.5	11	13.2
	Continuous rating	11	11	22.0	11
Standard output during acceleration/deceleration [kW]		11	11	22.0	11
Actual acceleration/deceleration output (Note 2) [kW]		13.2	13.2	26.4	13.2
Continuous base rotation speed [r/min]		2500	2500	2500	1500
Max. rotation speed in constant output range [r/min]		15000	20000	20000	8000
Maximum rotation speed [r/min]		15000	20000	24000	15000
Continuous rated torque [N · m]		14.1	14.1	14.1	35.0
Motor inertia [kg · m ²]		0.0046	0.0046	0.0042	0.016
Degree of protection (The shaft-through portion is excluded.)		IP54	IP54	IP54	IP54
Outline dimension drawing (flange type) [mm]					
Flange fitting diameter [mm]		ø150	ø150	ø150	ø180
Shaft diameter [mm]		ø28	ø28	ø22	ø32
Mass [kg]		30	30	27	56
With leg		Not possible	Not possible	Not possible	Not possible

Motor type		SJ-DL5.5/200-01T-S	SJ-DL5.5/240-05T-S	SJ-DL7.5/150-01T-S
Compatible drive unit	1-axis type	MDS-E-SP-160	200	160
	2-axis type	MDS-E-SP2-16080(L)	-	16080(L)
	Multi-hybrid type	MDS-EM-SPV3-	20080, 200120	16040, 16080, 16040S
	Regenerative resistor type	MDS-EJ-SP-	-	-
Output	Actual acceleration/deceleration			
	Acceleration/Deceleration	3.7	7.5	5.5
	Short-time rating	5.5	11	13.2
	Continuous rating	11	22.0	11
Standard output during acceleration/deceleration [kW]		11	22.0	11
Actual acceleration/deceleration output (Note 2) [kW]		13.2	26.4	13.2
Continuous base rotation speed [r/min]		2500	2500	1500
Max. rotation speed in constant output range [r/min]		20000	20000	8000
Maximum rotation speed [r/min]		20000	24000	15000
Continuous rated torque [N · m]		14.1	14.1	35.0
Motor inertia [kg · m ²]		0.0046	0.0046	0.016
Degree of protection (The shaft-through portion is excluded.)		IP54	IP54	IP54
Outline dimension drawing (flange type) [mm]				
Flange fitting diameter [mm]		ø150	ø150	ø180
Shaft diameter [mm]		ø22	ø22	ø32
Mass [kg]		28	26	53
With leg		Not possible	Not possible	Not possible

(Note 1) Only the combination designated in this manual can be used for the motor and drive unit. Always use the designated combination.
 (Note 2) Actual acceleration/deceleration output is 1.2-fold of "Standard output during acceleration/deceleration" or "Short time rated output".
 (Note 3) IP code classifies the degree of protection of the motor body. It does not apply to the other electronic parts such as the cooling fan and the encoder.

■SJ-DM Series (Magnet specifications)

Motor type		SJ-DM11/120-01T
Compatible drive unit	1-axis type	MDS-E-SP-320
	2-axis type	MDS-E-SP2-
	Multi-hybrid type	MDS-EM-SPV3-320120
	Regenerative resistor type	MDS-EJ-SP-
Output Actual acceleration/ deceleration %ED rating Short-time rating Continuous rating		
	Standard output during acceleration/deceleration [kW]	34
	Actual acceleration/deceleration output (Note 2) [kW]	40.8
	Continuous base rotation speed [r/min]	4500
	Max. rotation speed in constant output range [r/min]	12000
Maximum rotation speed [r/min]	12000	
Continuous rated torque [N·m]	19.1	
Motor inertia [kg·m ²]	0.0022	
Degree of protection (The shaft-through portion is excluded.)	IP54	
Outline dimension drawing (flange type) [mm]		
	Flange fitting diameter [mm]	ø110
Shaft diameter [mm]	ø22	
Mass [kg]	18	
With leg	Not possible	

(Note 1) Only the combination designated in this manual can be used for the motor and drive unit. Always use the designated combination.
 (Note 2) Actual acceleration/deceleration output is 1.2-fold of "Standard output during acceleration/deceleration" or "Short time rated output".
 (Note 3) IP code classifies the degree of protection of the motor body. It does not apply to the other electronic parts such as the cooling fan and the encoder.

■SJ-DN Series (High-torque specifications)

Motor type		SJ-DN7.5/80-01	SJ-DN11/80-01	SJ-DN15/80-01	SJ-DN18.5/80-01			
Compatible drive unit	1-axis type	MDS-E-SP-160	200	200	200			
	2-axis type	MDS-E-SP2-16080(L)	-	-	-			
	Multi-hybrid type	MDS-EM-SPV3-10040, 10080, 16040S	20080, 200120	20080, 200120	20080, 200120			
	Regenerative resistor type	MDS-EJ-SP-	-	-	-			
Output Actual acceleration/ deceleration %ED rating Short-time rating Continuous rating								
	Standard output during acceleration/deceleration [kW]	7.5	11	15	18.5			
	Actual acceleration/deceleration output (Note 2) [kW]	9	13.2	18	22.2			
	Continuous base rotation speed [r/min]	1000	1000	900	1000			
	Max. rotation speed in constant output range [r/min]	2500	5000	5000	3500			
Maximum rotation speed [r/min]	8000	8000	8000	8000				
Continuous rated torque [N·m]	52.5	85.9	117	143				
Motor inertia [kg·m ²]	0.031	0.10	0.14	0.16				
Degree of protection (The shaft-through portion is excluded.)	IP54	IP54	IP54	IP54				
Outline dimension drawing (flange type) [mm]								
	Flange fitting diameter [mm]	ø180	ø230	ø230	ø230			
Shaft diameter [mm]	ø48	ø48	ø55	ø55				
Mass [kg]	86	103	131	147				
With leg	Possible	Possible	Possible	Possible				

(Note 1) Only the combination designated in this manual can be used for the motor and drive unit. Always use the designated combination.
 (Note 2) Actual acceleration/deceleration output is 1.2-fold of "Standard output during acceleration/deceleration" or "Short time rated output".
 (Note 3) IP code classifies the degree of protection of the motor body. It does not apply to the other electronic parts such as the cooling fan and the encoder.

■SJ-V Series (Normal specifications)

Motor type		SJ-V2.2-01T	SJ-V3.7-02ZT
Compatible drive unit	1-axis type	MDS-E-SP-40	80
	2-axis type	MDS-E-SP2-40	80 16080(M)
	Multi-hybrid type	MDS-EM-SPV3-	-
Output	Actual acceleration/deceleration		
	Short-time rating		
	Continuous rating		
	Standard output during acceleration/deceleration [kW]	2.2	3.7
Actual acceleration/deceleration output (Note 2) [kW]	2.6	4.4	
Continuous base rotation speed [r/min]	1500	3000	
Max. rotation speed in constant output range [r/min]	6000	12000	
Maximum rotation speed [r/min]	10000	15000	
Continuous rated torque [N·m]	9.5	7.0	
Motor inertia [kg·m ²]	0.00675	0.00675	
Degree of protection	IP44	IP44	
Outline dimension drawing (flange type) [mm]			
Flange fitting diameter [mm]	ø150	ø150	
Shaft diameter [mm]	ø28	ø28	
Mass [kg]	25	25	
With leg	Possible	Possible	

■SJ-V Series (Normal specifications)

Motor type		SJ-V22-04ZT	SJ-V22-06ZT	SJ-V26-01ZT	SJ-V37-01ZT
Compatible drive unit	1-axis type	MDS-E-SP-320	240	320	400
	2-axis type	MDS-E-SP2-	-	-	-
	Multi-hybrid type	MDS-EM-SPV3-	-	-	-
Output	Actual acceleration/deceleration				
	Short-time rating				
	Continuous rating				
	Standard output during acceleration/deceleration [kW]	22	15	26	37
Actual acceleration/deceleration output (Note 2) [kW]	26.4	18	31.2	44.4	
Continuous base rotation speed [r/min]	1500	1500	1500	1150	
Max. rotation speed in constant output range [r/min]	6000	9500	6000	3450	
Maximum rotation speed [r/min]	8000	10000	8000	6000	
Continuous rated torque [N·m]	118	70.0	140	249	
Motor inertia [kg·m ²]	0.08	0.0575	0.0925	0.34	
Degree of protection	IP44	IP44	IP44	IP44	
Outline dimension drawing (flange type) [mm]					
Flange fitting diameter [mm]	ø230	ø230	ø230	ø300	
Shaft diameter [mm]	ø55	ø48	ø55	ø60	
Mass [kg]	135	110	155	300	
With leg	Possible	Possible	Possible	Possible	

Motor type		SJ-V15-09ZT	SJ-V18.5-01ZT	SJ-V18.5-04ZT	SJ-V22-01ZT
Compatible drive unit	1-axis type	MDS-E-SP-200	200	240	240
	2-axis type	MDS-E-SP2-	-	-	-
	Multi-hybrid type	MDS-EM-SPV3-20080, 200120	20080, 200120	-	-
Output	Actual acceleration/deceleration				
	Short-time rating				
	Continuous rating				
	Standard output during acceleration/deceleration [kW]	15	18.5	18.5	22
Actual acceleration/deceleration output (Note 2) [kW]	18	22.2	22.2	26.4	
Continuous base rotation speed [r/min]	1500	1500	1500	1500	
Max. rotation speed in constant output range [r/min]	6000	4500	6000	4500	
Maximum rotation speed [r/min]	8000	8000	8000	8000	
Continuous rated torque [N·m]	70	95.5	95.5	118	
Motor inertia [kg·m ²]	0.0575	0.0575	0.0575	0.08	
Degree of protection	IP44	IP44	IP44	IP44	
Outline dimension drawing (flange type) [mm]					
Flange fitting diameter [mm]	ø230	ø230	ø230	ø230	
Shaft diameter [mm]	ø48	ø48	ø48	ø55	
Mass [kg]	110	110	110	135	
With leg	Possible	Possible	Possible	Possible	

Motor type		SJ-V45-01ZT	SJ-V55-01ZT
Compatible drive unit	1-axis type	MDS-E-SP-640	640
	2-axis type	MDS-E-SP2-	-
	Multi-hybrid type	MDS-EM-SPV3-	-
Output	Actual acceleration/deceleration		
	Short-time rating		
	Continuous rating		
	Standard output during acceleration/deceleration [kW]	45	55
Actual acceleration/deceleration output (Note 2) [kW]	54	66	
Continuous base rotation speed [r/min]	1500	1150	
Max. rotation speed in constant output range [r/min]	4500	3450	
Maximum rotation speed [r/min]	6000	4500	
Continuous rated torque [N·m]	236	374	
Motor inertia [kg·m ²]	0.34	0.8475	
Degree of protection	IP44	IP44	
Outline dimension drawing (flange type) [mm]			
Flange fitting diameter [mm]	ø300	ø450	
Shaft diameter [mm]	ø60	ø75	
Mass [kg]	300	450	
With leg	Possible	Possible	

(Note 1) Only the combination designated in this manual can be used for the motor and drive unit. Always use the designated combination.
 (Note 2) Actual acceleration/deceleration output is 1.2-fold of "Standard output during acceleration/deceleration" or "Short time rated output".
 (Note 3) IP code classifies the degree of protection of the motor body. It does not apply to the other electronic parts such as the cooling fan and the encoder.

(Note 1) Only the combination designated in this manual can be used for the motor and drive unit. Always use the designated combination.
 (Note 2) Actual acceleration/deceleration output is 1.2-fold of "Standard output during acceleration/deceleration" or "Short time rated output".
 (Note 3) IP code classifies the degree of protection of the motor body. It does not apply to the other electronic parts such as the cooling fan and the encoder.

■SJ-V Series (Wide range constant output specifications)

Motor type		SJ-V11-01T	SJ-V11-09T	SJ-V15-03T	SJ-V18.5-03T
Compatible drive unit	1-axis type	MDS-E-SP-160	160	200	240
	2-axis type	MDS-E-SP2-16080(L)	16080(L)	-	-
	Multi-hybrid type	MDS-EM-SPV3-16040, 16080, 16040S	16040, 16080, 16040S	20080, 200120	-
Output	Actual acceleration/deceleration				
	Short-time rating				
	Continuous rating				
	Standard output during acceleration/deceleration [kW]	5.5	7.5	9	11
Actual acceleration/deceleration output (Note 2) [kW]	6.6	9	10.8	13.2	
Continuous base rotation speed [r/min]	750	750	750	750	
Max. rotation speed in constant output range [r/min]	6000	6000	6000	6000	
Maximum rotation speed [r/min]	6000	6000	6000	6000	
Continuous rated torque [N·m]	47.1	70.0	95.5	115	
Motor inertia [kg·m ²]	0.03	0.0575	0.0575	0.08	
Degree of protection	IP44	IP44	IP44	IP44	
Outline dimension drawing (flange type) [mm]					
Flange fitting diameter [mm]	ø180	ø230	ø230	ø230	
Shaft diameter [mm]	ø48	ø48	ø48	ø55	
Mass [kg]	70	110	110	135	
With leg	Possible	Possible	Possible	Possible	

■SJ-VL Series (Low-inertia specifications)

Motor type		SJ-VL2.2-02ZT	SJ-VL11-02FZT	SJ-VL11-05FZT-S01 **
Compatible drive unit	1-axis type	MDS-E-SP-40	160	160
	2-axis type	MDS-E-SP2-40	16080(L)	16080(L)
	Multi-hybrid type	MDS-EM-SPV3-	16040, 16080, 16040S	16040, 16080, 16040S
Output	Actual acceleration/deceleration			
	Acceleration/Deceleration			
	Short-time rating			
	Continuous rating			
Standard output during acceleration/deceleration [kW]	2.2	11	11	
Actual acceleration/deceleration output (Note 2) [kW]	2.6	13.2	13.2	
Continuous base rotation speed [r/min]	3000	1500	5000	
Max. rotation speed in constant output range [r/min]	15000	15000	20000	
Maximum rotation speed [r/min]	15000	15000	20000	
Continuous rated torque [N·m]	4.8	14.0	2.86	
Motor inertia [kg·m ²]	0.0024	0.003	0.0024	
Degree of protection	IP44	IP44	IP44	
Outline dimension drawing (flange type) [mm]				
Flange fitting diameter [mm]	ø110	ø150	ø110	
Shaft diameter [mm]	ø22	ø28	ø22	
Mass [kg]	20	42	20	
With leg	Not possible	Not possible	Not possible	

*1 The acceleration/deceleration frequency is limited by the regenerative resistor.

(Note 1) Only the combination designated in this manual can be used for the motor and drive unit. Always use the designated combination.
 (Note 2) Actual acceleration/deceleration output is 1.2-fold of "Standard output during acceleration/deceleration" or "Short time rated output".
 (Note 3) IP code classifies the degree of protection of the motor body. It does not apply to the other electronic parts such as the cooling fan and the encoder.

Motor type		SJ-V22-05T	SJ-V22-09T	SJ-VK22-19ZT
Compatible drive unit	1-axis type	MDS-E-SP-320	320	320
	2-axis type	MDS-E-SP2-	-	-
	Multi-hybrid type	MDS-EM-SPV3-	-	-
Output	Actual acceleration/deceleration			
	Short-time rating			
	Continuous rating			
	Standard output during acceleration/deceleration [kW]	15	18.5	18.5
Actual acceleration/deceleration output (Note 2) [kW]	18	22.2	22.2	
Continuous base rotation speed [r/min]	750	600	400	
Max. rotation speed in constant output range [r/min]	6000	3500	750	
Maximum rotation speed [r/min]	6000	4500	750	
Continuous rated torque [N·m]	140	239	310	
Motor inertia [kg·m ²]	0.08	0.308	0.34	
Degree of protection	IP44	IP44	IP44	
Outline dimension drawing (flange type) [mm]				
Flange fitting diameter [mm]	ø230	ø300	ø300	
Shaft diameter [mm]	ø55	ø60	ø60	
Mass [kg]	135	280	300	
With leg	Possible	Possible	Possible	

(Note 1) Only the combination designated in this manual can be used for the motor and drive unit. Always use the designated combination.
 (Note 2) Actual acceleration/deceleration output is 1.2-fold of "Standard output during acceleration/deceleration" or "Short time rated output".
 (Note 3) IP code classifies the degree of protection of the motor body. It does not apply to the other electronic parts such as the cooling fan and the encoder.

BUILT-IN SPINDLE MOTOR 200V

■SJ-BG Series (Normal specifications)

Motor type (Note 1)		SJ-BG090A/300-01□(R)	SJ-BG090B/300-03□	SJ-BG090D/300-03□	SJ-BG110F/240-01□
Compatible drive unit	MDS-E-SP-	20	40	160	80
	MDS-E-SP2-	20	40	16080(L)	80 16080(M)
Output Actual acceleration/ deceleration Acceleration/Deceleration %ED rating Continuous rating					
	Standard output during acceleration/deceleration [kW]	1.5	1.8	9.0	5.5
	Actual acceleration/deceleration output (Note 3) [kW]	1.8	2.2	10.8	6.6
	Continuous base rotation speed [r/min]	8400	6000	12000	3000
	Maximum rotation speed [r/min]	30000	30000	30000	24000
Continuous rated torque [N·m]	0.85	1.91	4.38	9.5	
Rotor inertia [kg·m ²]	0.00021	0.0004	0.0008	0.0026	
Outline dimension drawing [mm]					
	Mass				
	Stator [kg]	0.7	1.2	2.6	7.4
	Rotor [kg]	0.4	0.7	1.4	3.2

■SJ-BG Series (Normal specifications)

Motor type (Note 1)		SJ-BG135D/200-01□	SJ-BG150D/150-01□
Compatible drive unit	MDS-E-SP-	320	80
	MDS-E-SP2-	-	80 16080(M)
Output Actual acceleration/ deceleration Acceleration/Deceleration %ED rating Continuous rating			
	Standard output during acceleration/deceleration [kW]	15	5.5
	Actual acceleration/deceleration output (Note 3) [kW]	18.0	6.6
	Continuous base rotation speed [r/min]	3280	2500
	Maximum rotation speed [r/min]	8000	15000
Continuous rated torque [N·m]	32.0	14.1	
Rotor inertia [kg·m ²]	0.0044	0.0057	
Outline dimension drawing [mm]			
	Mass		
	Stator [kg]	12	8.1
	Rotor [kg]	3.3	3.7

Motor type (Note 1)		SJ-BG120A/200-01□(R)	SJ-BG120C/200-01□(R)	SJ-BG135B/200-01□
Compatible drive unit	1-axis type MDS-E-SP-	80	80	200
	2-axis type MDS-E-SP2-	80	80	-
	Multi-hybrid type MDS-EM-SPV3-	16080(M)	16080(M)	-
	Regenerative resistor type MDS-EJ-SP-	-	-	20080, 200120
Output Actual acceleration/ deceleration Acceleration/Deceleration %ED rating Continuous rating				
	Standard output during acceleration/deceleration [kW]	3.7	5.5	18.5
	Actual acceleration/deceleration output (Note 3) [kW]	4.4	6.6	22.2
	Continuous base rotation speed [r/min]	2500	5500	8500
	Maximum rotation speed [r/min]	15000	20000	20000
Continuous rated torque [N·m]	5.7	2.6	11.9	
Rotor inertia [kg·m ²]	0.0016 (0.0014)	0.0032 (0.0027)	0.0026	
Outline dimension drawing [mm]				
	Mass			
	Stator [kg]	3.0	5.9	6.0
	Rotor [kg]	1.3	2.5	1.9

Motor type (Note 1)		SJ-BG160B/150-01□(R)	SJ-BG160D/150-01□(R)
Compatible drive unit	MDS-E-SP-	40	80
	MDS-E-SP2-	40	80 16080(M)
Output Actual acceleration/ deceleration Acceleration/Deceleration %ED rating Continuous rating			
	Standard output during acceleration/deceleration [kW]	3.7	5.5
	Actual acceleration/deceleration output (Note 3) [kW]	4.4	6.6
	Continuous base rotation speed [r/min]	3500	15000
	Maximum rotation speed [r/min]	15000	15000
Continuous rated torque [N·m]	6.0	23.6	
Rotor inertia [kg·m ²]	0.0048(0.0042)	0.0070(0.0061)	
Outline dimension drawing [mm]			
	Mass		
	Stator [kg]	7.1	11
	Rotor [kg]	2.9(2.3)	4.2(3.3)

(Note 1) Please contact your Mitsubishi Electric dealer for the special products not listed above.
 (Note 2) Only the combination designated in this manual can be used for the motor and drive unit. Always use the designated combination.
 (Note 3) Actual acceleration/deceleration output is 1.2-fold of "Standard output during acceleration/deceleration" or "Short time rated output".
 (Note 4) A value in brackets is for the motor type which has (R) in the end of the type name.

(Note 1) Please contact your Mitsubishi Electric dealer for the special products not listed above.
 (Note 2) Only the combination designated in this manual can be used for the motor and drive unit. Always use the designated combination.
 (Note 3) Actual acceleration/deceleration output is 1.2-fold of "Standard output during acceleration/deceleration" or "Short time rated output".
 (Note 4) A value in brackets is for the motor type which has (R) in the end of the type name.

■SJ-BG Series (Normal specifications)

Motor type (Note 1)		SJ-BG160D/150-02 (R)	SJ-BG180B/150-01	SJ-BG180D/150-01
Compatible drive unit		MDS-E-SP-160 MDS-E-SP2-16080(L)	400	400
Output Actual acceleration/ deceleration Acceleration/Deceleration %ED rating Continuous rating				
	Standard output during acceleration/deceleration [kW]	9.0	18.5	30
	Actual acceleration/deceleration output (Note 3) [kW]	10.8	22.2	36
	Continuous base rotation speed [r/min]	1500	2300	6000
	Maximum rotation speed [r/min]	1500	6000	15000
Continuous rated torque [N·m]	23.6	45.7	29.4	
Rotor inertia [kg·m ²]	0.0070(0.0061)	0.012	0.018	
Outline dimension drawing [mm]				
	Mass	Stator [kg]: 11 Rotor [kg]: 4.2(3.3)	Stator [kg]: 14 Rotor [kg]: 5.1	Stator [kg]: 21 Rotor [kg]: 8.0

■SJ-BG Series (Normal specifications)

Motor type (Note 1)		SJ-BG240H/100-01	SJ-BG300L/080-01
Compatible drive unit		400	640
Output Actual acceleration/ deceleration Acceleration/Deceleration %ED rating Continuous rating			
	Standard output during acceleration/deceleration [kW]	30	37
	Actual acceleration/deceleration output (Note 3) [kW]	36	44.4
	Continuous base rotation speed [r/min]	700	350
	Maximum rotation speed [r/min]	2000	1500
Continuous rated torque [N·m]	252	196	
Rotor inertia [kg·m ²]	0.14	0.48	
Outline dimension drawing [mm]			
	Mass	Stator [kg]: 63 Rotor [kg]: 32	Stator [kg]: 107 Rotor [kg]: 63

Motor type (Note 1)		SJ-BG180F/150-01	SJ-BG180H/150-01
Compatible drive unit		400	400
Output Actual acceleration/ deceleration Acceleration/Deceleration %ED rating Continuous rating			
	Standard output during acceleration/deceleration [kW]	22	37
	Actual acceleration/deceleration output (Note 3) [kW]	26.4	44.4
	Continuous base rotation speed [r/min]	1650	5700
	Maximum rotation speed [r/min]	4000	15000
Continuous rated torque [N·m]	86.8	36.9	
Rotor inertia [kg·m ²]	0.023	0.029	
Outline dimension drawing [mm]			
	Mass	Stator [kg]: 27 Rotor [kg]: 10	Stator [kg]: 33 Rotor [kg]: 12

*1 The cycle times for 10%ED rating, 15%ED rating, 25%ED rating (Low-speed coil), and 25%ED rating (High-speed coil) are 5 minutes.
 (Note 1) Please contact your Mitsubishi Electric dealer for the special products not listed above.
 (Note 2) Only the combination designated in this manual can be used for the motor and drive unit. Always use the designated combination.
 (Note 3) Actual acceleration/deceleration output is 1.2-fold of "Standard output during acceleration/deceleration" or "Short time rated output".
 (Note 4) A value in brackets is for the motor type which has (R) in the end of the type name.

■SJ-BG Series (High-speed specifications)

Motor type (Note 1)		SJ-BG135D/200-01			
Compatible drive unit		1-axis type MDS-E-SP-320	-		
		2-axis type MDS-E-SP2-	-		
		Multi-hybrid type MDS-EM-SPV3-	320120		
		Regenerative resistor type MDS-EJ-SP-	-		
Output Actual acceleration/ deceleration Acceleration/Deceleration %ED rating Continuous rating					
	Standard output during acceleration/deceleration [kW]	15	26	15	26
	Actual acceleration/deceleration output (Note 3) [kW]	18	31.2	18	31.2
	Continuous base rotation speed [r/min]	3280	6000	3280	6500
	Maximum rotation speed [r/min]	8000	20000	8000	20000
Continuous rated torque [N·m]	32.0	29.4	32.0	27.2	
Rotor inertia [kg·m ²]	0.0044				
Outline dimension drawing [mm]					
	Mass	Stator [kg]: 12 Rotor [kg]: 3.3			

*1 The cycle times for 10%ED rating, 15%ED rating, 25%ED rating (Low-speed coil), and 25%ED rating (High-speed coil) are 5 minutes.
 (Note 1) Please contact your Mitsubishi Electric dealer for the special products not listed above.
 (Note 2) Only the combination designated in this manual can be used for the motor and drive unit. Always use the designated combination.
 (Note 3) Actual acceleration/deceleration output is 1.2-fold of "Standard output during acceleration/deceleration" or "Short time rated output".

■SJ-BG Series (High-speed specifications)

Motor type (Note 1)		SJ-BG160D/200-03		SJ-BG180F/200-01	
Compatible drive unit		240		400	
Output					
Actual acceleration/deceleration	<input type="checkbox"/>				
Acceleration/Deceleration	<input type="checkbox"/>				
%ED rating	<input type="checkbox"/>				
Continuous rating	<input type="checkbox"/>				
Standard output during acceleration/deceleration [kW]		15	22	22	37
Actual acceleration/deceleration output (Note 3) [kW]		18.0	26.4	26.4	44.4
Continuous base rotation speed [r/min]		2700	7500	1650	5700
Maximum rotation speed [r/min]		5500	20000	4000	20000
Continuous rated torque [N·m]		26.5	19.1	86.8	36.9
Rotor inertia [kg·m ²]		0.0062		0.023	
Outline dimension drawing	[mm]				
Mass	Stator [kg]	10		27	
	Rotor [kg]	3.4		10	

■SJ-B Series

Motor type (Note 1)		SJ-2B4002T	SJ-2B4004T	SJ-2B4003T
Compatible drive unit		20	40	40
Output				
Actual acceleration/deceleration	<input type="checkbox"/>			
Acceleration/Deceleration	<input type="checkbox"/>			
Short-time rating	<input type="checkbox"/>			
Continuous rating	<input type="checkbox"/>			
Standard output during acceleration/deceleration [kW]		0.75	1.5	2.2
Actual acceleration/deceleration output (Note 3) [kW]		0.9	1.8	2.64
Continuous base rotation speed [r/min]		3000	3000	3000
Maximum rotation speed [r/min]		10000	15000	12000
Continuous rated torque [N·m]		1.27	2.39	4.77
Rotor inertia [kg·m ²]		0.00078	0.00078	0.00138
Outline dimension drawing	[mm]			
Mass	Stator [kg]	2.2	2.2	3.9
	Rotor [kg]	0.9	0.9	1.7

Motor type (Note 1)		SJ-BG240H/130-01	
Compatible drive unit		400	
Output			
Actual acceleration/deceleration	<input type="checkbox"/>		
Acceleration/Deceleration	<input type="checkbox"/>		
%ED rating	<input type="checkbox"/>		
Continuous rating	<input type="checkbox"/>		
Standard output during acceleration/deceleration [kW]		30	45
Actual acceleration/deceleration output (Note 3) [kW]		36	54
Continuous base rotation speed [r/min]		700	2500
Maximum rotation speed [r/min]		2000	13000
Continuous rated torque [N·m]		252	99.3
Rotor inertia [kg·m ²]		0.14	
Outline dimension drawing	[mm]		
Mass	Stator [kg]	63	
	Rotor [kg]	32	

*1 The cycle times for 10%ED rating, 15%ED rating, 25%ED rating (Low-speed coil), and 25%ED rating (High-speed coil) are 5 minutes.

(Note 1) Please contact your Mitsubishi Electric dealer for the special products not listed above.

(Note 2) Only the combination designated in this manual can be used for the motor and drive unit. Always use the designated combination.

(Note 3) Actual acceleration/deceleration output is 1.2-fold of "Standard output during acceleration/deceleration" or "Short time rated output".

Motor type (Note 1)		SJ-2B4501TK	SJ-2B6611TK	SJ-2B4502TK
Compatible drive unit		200	200	320
Output				
Actual acceleration/deceleration	<input type="checkbox"/>			
Acceleration/Deceleration	<input type="checkbox"/>			
Short-time rating	<input type="checkbox"/>			
Continuous rating	<input type="checkbox"/>			
Standard output during acceleration/deceleration [kW]		15	15	11
Actual acceleration/deceleration output (Note 3) [kW]		18	18	13.2
Continuous base rotation speed [r/min]		700	1320	500
Maximum rotation speed [r/min]		2250	10000	1500
Continuous rated torque [N·m]		102	54.3	143
Rotor inertia [kg·m ²]		0.08	0.102	0.105
Outline dimension drawing	[mm]			
Mass	Stator [kg]	29	37	37
	Rotor [kg]	18	19	24

(Note 1) Please contact your Mitsubishi Electric dealer for the special products not listed above.

(Note 2) Only the combination designated in this manual can be used for the motor and drive unit. Always use the designated combination.

(Note 3) Actual acceleration/deceleration output is 1.2-fold of "Standard output during acceleration/deceleration" or "Short time rated output".

■SJ-B Series

Motor type (Note 1)		SJ-2B602TK		SJ-2B4601TK		SJ-2B6605TK	
Compatible drive unit		MDS-E-SP-320 MDS-E-SP2-		320		240	
Output	Actual acceleration/deceleration						
	Acceleration/Deceleration	18	22	31.2	31.2	18	18
	%ED rating	15	11	26	22	15	11
	Short-time rating	550	1193	1250	3000	440	1000
	Continuous rating	2000	8000	3500	10000	1500	6000
Standard output during acceleration/deceleration [kW]		15	22	26	26	15	15
Actual acceleration/deceleration output (Note 3) [kW]		18	26.4	31.2	31.2	18	18
Continuous base rotation speed [r/min]		550	1193	1250	3000	440	1000
Maximum rotation speed [r/min]		2000	8000	3500	10000	1500	6000
Continuous rated torque [N·m]		191	88.0	168	70.0	239	105
Rotor inertia [kg·m ²]		0.133		0.105		0.173	
Outline dimension drawing [mm]							
Mass	Stator [kg]	49		55		63	
	Rotor [kg]	25		24		33	

■SJ-B Series

Motor type (Note 1)		SJ-2B6720TK		SJ-2B6705TK		SJ-2B6711TK	
Compatible drive unit		MDS-E-SP-320 MDS-E-SP2-		200		320	
Output	Actual acceleration/deceleration						
	Acceleration/Deceleration	26.4	31.2	13.2	11	26.4	26.4
	%ED rating	22	15	7.5	7.5	15	11
	Short-time rating	500	1500	250	500	400	820
	Continuous rating	1500	4500	750	4500	1700	5000
Standard output during acceleration/deceleration [kW]		22	26	11	11	22	22
Actual acceleration/deceleration output (Note 3) [kW]		26.4	31.2	13.2	13.2	26.4	26.4
Continuous base rotation speed [r/min]		700	1550	250	500	400	820
Maximum rotation speed [r/min]		1500	4500	750	4500	1700	5000
Continuous rated torque [N·m]		205	136	286	133	263	114
Rotor inertia [kg·m ²]		0.20		0.288		0.280	
Outline dimension drawing [mm]							
Mass	Stator [kg]	45		65		65	
	Rotor [kg]	26		38		37	

Motor type (Note 1)		SJ-2B4503TK		SJ-2B6603TK		SJ-2B4602TK	
Compatible drive unit		MDS-E-SP-320 MDS-E-SP2-		320		320	
Output	Actual acceleration/deceleration						
	Acceleration/Deceleration	18	22	26.4	22	26.4	26.4
	%ED rating	15	11	15	15	18.5	18.5
	Short-time rating	475	1250	600	1200	720	1500
	Continuous rating	2000	10000	1500	6000	2000	10000
Standard output during acceleration/deceleration [kW]		15	22	22	22	22	22
Actual acceleration/deceleration output (Note 3) [kW]		18	26.4	26.4	26.4	26.4	26.4
Continuous base rotation speed [r/min]		475	1250	600	1200	720	1500
Maximum rotation speed [r/min]		2000	10000	1500	6000	2000	10000
Continuous rated torque [N·m]		221	115	239	119	245	118
Rotor inertia [kg·m ²]		0.135		0.173		0.135	
Outline dimension drawing [mm]							
Mass	Stator [kg]	48		63		71	
	Rotor [kg]	31		33		31	

Motor type (Note 1)		SJ-2B6706TK		SJ-2B6721TK		SJ-2B6704TK	
Compatible drive unit		MDS-E-SP-400 MDS-E-SP2-		320		320	
Output	Actual acceleration/deceleration						
	Acceleration/Deceleration	31.2	36	26.4	36	26.4	36
	%ED rating	26	18.5	18.5	22	22	22
	Short-time rating	450	1080	500	1500	475	1000
	Continuous rating	2000	6000	1500	6000	1150	6000
Standard output during acceleration/deceleration [kW]		26	30	22	30	22	30
Actual acceleration/deceleration output (Note 3) [kW]		31.2	36	26.4	36	26.4	36
Continuous base rotation speed [r/min]		450	1080	500	1500	475	1000
Maximum rotation speed [r/min]		2000	6000	1500	6000	1150	6000
Continuous rated torque [N·m]		318	133	353	140	302	175
Rotor inertia [kg·m ²]		0.288		0.283		0.37	
Outline dimension drawing [mm]							
Mass	Stator [kg]	65		70		83	
	Rotor [kg]	38		35		49	

(Note 1) Please contact your Mitsubishi Electric dealer for the special products not listed above.
 (Note 2) Only the combination designated in this manual can be used for the motor and drive unit. Always use the designated combination.
 (Note 3) Actual acceleration/deceleration output is 1.2-fold of "Standard output during acceleration/deceleration" or "Short time rated output".

(Note 1) Please contact your Mitsubishi Electric dealer for the special products not listed above.
 (Note 2) Only the combination designated in this manual can be used for the motor and drive unit. Always use the designated combination.
 (Note 3) Actual acceleration/deceleration output is 1.2-fold of "Standard output during acceleration/deceleration" or "Short time rated output".

■SJ-B Series

Motor type (Note 1)		SJ-2B6709TK		SJ-2B6905TK		SJ-2B6908TK						
Compatible drive unit		MDS-E-SP-400 MDS-E-SP2-		320		320						
Output Actual acceleration/ deceleration <input type="checkbox"/> %ED rating <input type="checkbox"/> Short-time rating <input type="checkbox"/> Continuous rating <input type="checkbox"/>	kW Low-speed coil		kW High-speed coil		kW Low-speed coil		kW High-speed coil					
	%ED rating (25%ED) <input type="checkbox"/> Short-time (30min) <input type="checkbox"/>				Short-time (30min) <input type="checkbox"/>		%ED rating (50%ED) <input type="checkbox"/>					
	Standard output during acceleration/deceleration [kW]		22		30		22		30			
	Actual acceleration/deceleration output (Note 3) [kW]		26.4		36		26.4		36			
Continuous base rotation speed [r/min]		350		1000		175		450				
Maximum rotation speed [r/min]		1500		6000		1500		4000				
Continuous rated torque [N·m]		409		210		500		210				
Rotor inertia [kg·m ²]		0.37		0.853		1.105						
Outline dimension drawing [mm]												
Mass	Stator [kg]	83		110		143						
	Rotor [kg]	49		70		91						

■SJ-PMB Series

Motor type (Note 1)		SJ-PMB02215T-02		SJ-PMB04412T-B0		SJ-PMB14007T-01					
Compatible drive unit		MDS-E-SP-240 MDS-E-SP2-		200		320					
Output Actual acceleration/ deceleration <input type="checkbox"/> %ED rating <input type="checkbox"/> Short-time rating <input type="checkbox"/> Continuous rating <input type="checkbox"/>	kW		kW Low-speed coil		kW High-speed coil		kW Low-speed coil		kW High-speed coil		
	%ED rating (50%ED) <input type="checkbox"/>		%ED rating (25%ED) <input type="checkbox"/>		%ED rating (15%ED) <input type="checkbox"/>						
	Standard output during acceleration/deceleration [kW]		5.5		7.5		7.5		15		
	Actual acceleration/deceleration output (Note 3) [kW]		6.6		9		9		18		
Continuous base rotation speed [r/min]		1500		1200		3000		750		1800	
Maximum rotation speed [r/min]		10000		3000		8000		1800		6000	
Continuous rated torque [N·m]		22.3		43.8		17.5		140		58.4	
Rotor inertia [kg·m ²]		0.006		0.0162		0.0633					
Outline dimension drawing [mm]											
Mass	Stator [kg]	4.4		14.0		30					
	Rotor [kg]	3.7		8.0		15					

(Note 1) Please contact your Mitsubishi Electric dealer for the special products not listed above.
 (Note 2) Only the combination designated in this manual can be used for the motor and drive unit. Always use the designated combination.
 (Note 3) Actual acceleration/deceleration output is 1.2-fold of "Standard output during acceleration/deceleration" or "Short time rated output".

Motor type (Note 1)		SJ-2B6906TK		SJ-2B6914TK						
Compatible drive unit		MDS-E-SP-400 MDS-E-SP2-		640						
Output Actual acceleration/ deceleration <input type="checkbox"/> Acceleration/ Deceleration <input type="checkbox"/> Short-time rating <input type="checkbox"/> Continuous rating <input type="checkbox"/>	kW Low-speed coil		kW High-speed coil		kW Low-speed coil		kW High-speed coil			
	Short-time (30min) <input type="checkbox"/>		Short-time (30min) <input type="checkbox"/>		Short-time (30min) <input type="checkbox"/>		Short-time (30min) <input type="checkbox"/>			
	Standard output during acceleration/deceleration [kW]		22		37		30		45	
	Actual acceleration/deceleration output (Note 3) [kW]		26.4		44.4		36		54	
Continuous base rotation speed [r/min]		175		600		240		470		
Maximum rotation speed [r/min]		1000		3300		1000		3300		
Continuous rated torque [N·m]		819		477		995		508		
Rotor inertia [kg·m ²]		1.105		1.105						
Outline dimension drawing [mm]										
Mass	Stator [kg]	143		143						
	Rotor [kg]	91		91						

(Note 1) Please contact your Mitsubishi Electric dealer for the special products not listed above.
 (Note 2) Only the combination designated in this manual can be used for the motor and drive unit. Always use the designated combination.
 (Note 3) Actual acceleration/deceleration output is 1.2-fold of "Standard output during acceleration/deceleration" or "Short time rated output".

TOOL SPINDLE MOTOR 200V

■HG-JR Series

Motor type		HG-JR Series	
		HG-JR73	HG-JR153
Compatible drive unit	1-axis type MDS-E-SP-	40	80
	2-axis type MDS-E-SP2-	40	80 16080
	Regenerative resistor type MDS-EJ-SP- MDS-EJ-SP2-	80	-
Output		[N·m]	
Rated torque			
Max. torque			
Rated output		0.75	1.5
Max. rotation speed		8000	8000
Motor inertia		2.09	3.79
Degree of protection (The shaft-through portion is excluded.)		IP67	IP67
Outline dimension drawing		[mm]	
Flange fitting diameter		ø80	ø80
Shaft diameter		ø16	ø16
Mass		3.7	5.9

■HG Series

Motor type		HG Series					
		HG□-D48					
		HG75	HG105	HG54	HG104	HG154	HG224
Compatible drive unit	1-axis type MDS-E-SP-	20	20	40	40	80	80
	2-axis type MDS-E-SP2-	20	20	40	40	80	80
	Regenerative resistor type MDS-EJ-SP- MDS-EJ-SP2-	40	40	80	80	16080	16080
Output		[N·m]					
Rated torque							
Max. torque							
Rated output		0.75	1.0	0.5	1.0	1.5	2.2
Rated rotation speed		4000			3000		
Max. rotation speed		4000			3000		
Motor inertia		2.62	5.12	6.13	11.9	17.8	23.7
Degree of protection (The shaft-through portion is excluded.)		IP67					
Outline dimension drawing		[mm]					
Flange fitting diameter		ø80	ø80	ø110	ø110	ø110	ø110
Shaft diameter		ø14	ø14	ø24	ø24	ø24	ø24
Mass		2.6	4.4	4.8	6.5	8.3	10.0

■HG Series

Motor type		HG Series		
		HG□-D47		
		HG46	HG56	HG96
Compatible drive unit	1-axis type MDS-E-SP-	20	20	20
	2-axis type MDS-E-SP2-	20	20	20
	Regenerative resistor type MDS-EJ-SP- MDS-EJ-SP2-	20	20	20
Output		[N·m]		
Rated torque				
Max. torque				
Rated output		0.4	0.5	0.9
Max. rotation speed		6000	6000	6000
Motor inertia		0.234	0.379	1.27
Degree of protection (The shaft-through portion is excluded.)		IP67	IP67	IP67
Outline dimension drawing		[mm]		
Flange fitting diameter		ø50	ø50	ø70
Shaft diameter		ø14	ø14	ø19
Mass		1.2	1.6	2.9

(Note 1) The above characteristics values are representative values. The maximum current and maximum torque are the values when combined with the drive unit.

(Note 2) Only the combination designated in this manual can be used for the motor and drive unit. Always use the designated combination.

Motor type		HG Series				
		HG□-D48				
		HG204	HG354	HG453	HG703	HG903
Compatible drive unit	1-axis type MDS-E-SP-	80	160	160	160	320
	2-axis type MDS-E-SP2-	80	16080	16080	16080	-
	Regenerative resistor type MDS-EJ-SP- MDS-EJ-SP2-	16080	-	-	-	-
Output		[N·m]				
Rated torque						
Max. torque						
Rated output		2.0	3.5	4.5	7.0	9.0
Rated rotation speed		3000				
Max. rotation speed		3000				
Motor inertia		38.3	75.0	112.0	154.0	196.0
Degree of protection (The shaft-through portion is excluded.)		IP67				
Outline dimension drawing		[mm]				
Flange fitting diameter		ø114.3	ø114.3	ø114.3	ø114.3	ø180
Shaft diameter		ø35	ø35	ø35	ø35	ø42
Mass		12.0	19.0	25.0	32.0	43.0

(Note 1) The above characteristics values are representative values. The maximum current and maximum torque are the values when combined with the drive unit.

(Note 2) Only the combination designated in this manual can be used for the motor and drive unit. Always use the designated combination.

SERVO MOTOR 400V

■HG-H Series

Motor type		HG-H75	HG-H105	HG-H54	HG-H104	HG-H154
Compatible drive unit	1-axis type MDS-EH-V1-	10	10	20	20	40
	2-axis type MDS-EH-V2-	10	10	20	20	40
	3-axis type MDS-EH-V3-	20	20	40	40	80
	Multi-hybrid type MDS-EMH-SPV3-	-	-	40	40	40
	Regenerative resistor type MDS-EJH-V1	-	-	8040, 10040	8040, 10040	8040, 10040, 10060
Output		[N·m]				
Stall torque		2.0	3.0	2.9	5.9	9.0
Max. torque		8.0	11.0	13.0	23.3	42.0
Rated output	[kW]	0.75	1.0	0.5	1.0	1.5
Max. rotation speed	[r/min]	5000			4000	
Motor inertia	[$\times 10^{-4} \text{kg} \cdot \text{m}^2$]	2.62	5.12	6.13	11.9	17.8
Motor inertia with a brake	[$\times 10^{-4} \text{kg} \cdot \text{m}^2$]	2.70	5.20	8.26	14.0	20.0
Degree of protection (The shaft-through portion is excluded.)		IP67				
Outline dimension drawing (flange type) (Without a brake, Straight shaft, D48 encoder) [mm]						
(Note) The total length will be 3.5mm longer when using a D51 or D74 encoder.		127.5	163.5	118.5	140.5	162.5
Flange fitting diameter	[mm]	ø80	ø80	ø110	ø110	ø110
Shaft diameter	[mm]	ø14	ø14	ø24	ø24	ø24
Mass (with a brake)	[kg]	2.6(3.6)	4.4(5.3)	4.8(6.7)	6.5(8.5)	8.3(11.0)
Absolute position encoder compatible drive unit	67,108,864 [p/rev] (D74) 4,194,304 [p/rev] (D51) 1,048,576 [p/rev] (D48)	EH, EJH	EH, EJH	EH, EMH, EJH	EH, EMH, EJH	EH, EMH, EJH

Motor type		HG-H224	HG-H204	HG-H354	HG-H453	HG-H703
Compatible drive unit	1-axis type MDS-EH-V1-	40	40	80	80	80W
	2-axis type MDS-EH-V2-	40	40	80	80	80W
	3-axis type MDS-EH-V3-	80	80	80W	80W	160
	Multi-hybrid type MDS-EMH-SPV3-	40	40	-	-	-
	Regenerative resistor type MDS-EJH-V1	-	-	8040, 10040, 10060	10060	10060
Output		[N·m]				
Stall torque		12.0	13.7	22.5	30.0	49.0
Max. torque		46.5	47.0	90.0	122.0	152.0
Rated output	[kW]	2.2	2.0	3.5	4.5	7.0
Max. rotation speed	[r/min]		4000		3500	3000
Motor inertia	[$\times 10^{-4} \text{kg} \cdot \text{m}^2$]	23.7	38.3	75.0	112.0	154.0
Motor inertia with a brake	[$\times 10^{-4} \text{kg} \cdot \text{m}^2$]	25.9	47.9	84.7	122.0	164.0
Degree of protection (The shaft-through portion is excluded.)		IP67				
Outline dimension drawing (flange type) (Without a brake, Straight shaft, D48 encoder) [mm]						
(Note) The total length will be 3.5mm longer when using a D51 or D74 encoder.		184.5	143.5	183.5	223.5	263.5
Flange fitting diameter	[mm]	ø110	ø114.3	ø114.3	ø114.3	ø114.3
Shaft diameter	[mm]	ø24	ø35	ø35	ø35	ø35
Mass (with a brake)	[kg]	10.0(12.0)	12.0(18.0)	19.0(25.0)	25.0(31.0)	32.0(38.0)
Absolute position encoder compatible drive unit	67,108,864 [p/rev] (D74) 4,194,304 [p/rev] (D51) 1,048,576 [p/rev] (D48)	EH	EH, EMH	EH, EMH	EH, EMH	EH

(Note 1) Only the combination designated in this manual can be used for the motor and drive unit. Always use the designated combination.

(Note 2) Stall torque is the maximum torque that can be output continuously when the motor rotation is stopped.

■HG-H Series

Motor type		HG-H903	HG-H1502
Compatible drive unit	1-axis type MDS-EH-V1-	160	200
	2-axis type MDS-EH-V2-	160	-
	3-axis type MDS-EH-V3-	-	-
	Multi-hybrid type MDS-EMH-SPV3-	-	-
	Regenerative resistor type MDS-EJH-V1	-	-
Output		[N·m]	
Stall torque		58.8	152.1
Max. torque		208.0	320.0
Rated output	[kW]	9.0	15.0
Max. rotation speed	[r/min]	3000	2500
Motor inertia	[$\times 10^{-4} \text{kg} \cdot \text{m}^2$]	196.0	489.0
Motor inertia with a brake	[$\times 10^{-4} \text{kg} \cdot \text{m}^2$]	206.0	-
Degree of protection (The shaft-through portion is excluded.)		IP67	IP44
Outline dimension drawing (flange type) [mm]			
(Note) The total length will be 3.5mm longer when using a D51 or D74 encoder.		330	476
Flange fitting diameter	[mm]	ø180	ø230
Shaft diameter	[mm]	ø42	ø65
Mass (with a brake)	[kg]	43.0(49.0)	120
Absolute position encoder compatible drive unit	67,108,864 [p/rev] (D74) 4,194,304 [p/rev] (D51) 1,048,576 [p/rev] (D48)	EH	EH

■HQ-H Series

Motor type		HQ-H903	HQ-H1103
Compatible drive unit	1-axis type MDS-EH-V1-	160	160W
	2-axis type MDS-EH-V2-	160	-
Stall torque		70.0	110.0
Output		[N·m]	
Stall torque		70	110
Max. torque		170	260
Max. rotation speed	[r/min]	3000	3000
Motor inertia	[$\times 10^{-4} \text{kg} \cdot \text{m}^2$]	230.0	350.0
Motor inertia with a brake	[$\times 10^{-4} \text{kg} \cdot \text{m}^2$]	254.0	374.0
Degree of protection (The shaft-through portion is excluded.)		IP67	IP67
Outline dimension drawing (flange type) (Without a brake, Straight shaft, D48 encoder) [mm]			
(Note) The total length will be 3.5mm longer when using a D51 or D74 encoder.		346.5	419.5
Flange fitting diameter	[mm]	ø200	ø200
Shaft diameter	[mm]	ø55	ø55
Mass (with a brake)	[kg]	51.0(61.4)	74.0(84.4)
Absolute position encoder compatible drive unit	67,108,864 [p/rev] (D74) 4,194,304 [p/rev] (D51) 1,048,576 [p/rev] (D48)	EH	EH

(Note 1) Only the combination designated in this manual can be used for the motor and drive unit. Always use the designated combination.

(Note 2) Stall torque is the maximum torque that can be output continuously when the motor rotation is stopped.

■HK-H Series

Motor type		HK-H76	HK-H105		HK-H55	
Compatible drive unit	1-axis type MDS-EH-V1-	10	-	10	-	20
	2-axis type MDS-EH-V2-	10, 20	-	10, 20	-	20, 40
	3-axis type MDS-EH-V3-	-	-	-	-	40
	Multi-hybrid type MDS-EMH-SPV3-	-	-	-	-	8040, 10040
	Regenerative resistor type MDS-EJH-V1	-	20	-	20	-
Output						
Stall torque	[N·m]					
Max. torque						
Rated output	[kW]	0.75	1.0		0.5	
Max. rotation speed	[r/min]	6700	5000		5000	
Motor inertia	[×10 ⁻⁴ kg·m ²]	2.08	4.36		5.90	
Motor inertia with a brake	[×10 ⁻⁴ kg·m ²]	2.23	4.51		7.75	
Degree of protection (The shaft-through portion is excluded.)		IP67	IP67		IP67	
Outline dimension drawing (flange type) (Without a brake, Straight shaft)	[mm]					
		114.1	149.5		115.5	
Flange fitting diameter	[mm]	ø80	ø80		ø110	
Shaft diameter	[mm]	ø14	ø14		ø24	
Mass (with a brake)	[kg]	2.7(3.6)	4.1(5.0)		5.0(6.8)	
Absolute position encoder compatible drive unit	1,048,576 [p/rev] (G48)	EH	EJH	EH	EJH	EH, EMH

Motor type		HK-H104		HK-H123
Compatible drive unit	1-axis type MDS-EH-V1-	-	20	10
	2-axis type MDS-EH-V2-	-	20, 40	10, 20
	3-axis type MDS-EH-V3-	-	40	-
	Multi-hybrid type MDS-EMH-SPV3-	-	8040, 10040	-
	Regenerative resistor type MDS-EJH-V1	20	-	-
Output				
Stall torque	[N·m]			
Max. torque				
Rated output	[kW]	1.0		1.2
Max. rotation speed	[r/min]	4500		3500
Motor inertia	[×10 ⁻⁴ kg·m ²]	11.4		11.4
Motor inertia with a brake	[×10 ⁻⁴ kg·m ²]	13.3		13.3
Degree of protection (The shaft-through portion is excluded.)		IP67		IP67
Outline dimension drawing (flange type) (Without a brake, Straight shaft)	[mm]			
		137.5		137.5
Flange fitting diameter	[mm]	ø110		ø110
Shaft diameter	[mm]	ø24		ø24
Mass (with a brake)	[kg]	7.1(8.8)		7.1(8.8)
Absolute position encoder compatible drive unit	1,048,576 [p/rev] (G48)	EJH	EH, EMH	EH

(Note 1) Only the combination designated in this manual can be used for the motor and drive unit. Always use the designated combination.

(Note 2) Stall torque is the maximum torque that can be output continuously when the motor rotation is stopped.

■HK-H Series

Motor type		HK-H154			
Compatible drive unit	1-axis type MDS-EH-V1-	-	-	40	-
	2-axis type MDS-EH-V2-	-	-	40, 80	-
	3-axis type MDS-EH-V3-	40	-	-	-
	Multi-hybrid type MDS-EMH-SPV3-	-	-	-	8040, 10040, 10060
	Regenerative resistor type MDS-EJH-V1	-	40	-	-
Output					
Stall torque	[N·m]				
Max. torque					
Rated output	[kW]	1.5			
Max. rotation speed	[r/min]	4500			
Motor inertia	[×10 ⁻⁴ kg·m ²]	16.9			
Motor inertia with a brake	[×10 ⁻⁴ kg·m ²]	18.8			
Degree of protection (The shaft-through portion is excluded.)		IP67			
Outline dimension drawing (flange type) (Without a brake, Straight shaft)	[mm]				
		159.5			
Flange fitting diameter	[mm]	ø110			
Shaft diameter	[mm]	ø24			
Mass (with a brake)	[kg]	9.1(11)			
Absolute position encoder compatible drive unit	1,048,576 [p/rev] (G48)	EH	EJH	EH	EMH

Motor type		HK-H223	HK-H224		HK-H204
Compatible drive unit	1-axis type MDS-EH-V1-	20	40	80	40
	2-axis type MDS-EH-V2-	20, 40	40	80	40, 80
	3-axis type MDS-EH-V3-	40	40	-	40
	Multi-hybrid type MDS-EMH-SPV3-	-	-	-	8040, 10040, 10060
	Regenerative resistor type MDS-EJH-V1	-	-	-	-
Output					
Stall torque	[N·m]				
Max. torque					
Rated output	[kW]	2.2	2.2		2.0
Max. rotation speed	[r/min]	3000	4500		4000
Motor inertia	[×10 ⁻⁴ kg·m ²]	22.4	22.4		36.4
Motor inertia with a brake	[×10 ⁻⁴ kg·m ²]	24.2	24.2		41.4
Degree of protection (The shaft-through portion is excluded.)		IP67	IP67		IP67
Outline dimension drawing (flange type) (Without a brake, Straight shaft)	[mm]				
		181.5	181.5		138.5
Flange fitting diameter	[mm]	ø110	ø110		ø114.3
Shaft diameter	[mm]	ø24	ø24		ø35
Mass (with a brake)	[kg]	11(13)	11(13)		13(18)
Absolute position encoder compatible drive unit	1,048,576 [p/rev] (G48)	EH	EH	EH	EH, EMH

(Note 1) Only the combination designated in this manual can be used for the motor and drive unit. Always use the designated combination.

(Note 2) Stall torque is the maximum torque that can be output continuously when the motor rotation is stopped.

■HK-H Series

Motor type		HK-H302	HK-H303	HK-H354	HK-H453
Compatible drive unit	1-axis type MDS-EH-V1-	40	40	80	80
	2-axis type MDS-EH-V2-	40	40, 80	80, 80W	80, 80W
	3-axis type MDS-EH-V3-	40	40	-	-
	Multi-hybrid type MDS-EMH-SPV3-	-	-	10060	10060
	Regenerative resistor type MDS-EJH-V1	-	-	-	-
Output	Stall torque [N·m]	28.0	21.5	27.0	39.0
	Max. torque [N·m]	95.0	75.0	98.0	126
Rated output [kW]		3.0	3.0	3.5	4.5
Max. rotation speed [r/min]		2000	3000	4000	3500
Motor inertia [$\times 10^{-4}$ kg·m ²]		70.8	70.8	70.8	105
Motor inertia with a brake [$\times 10^{-4}$ kg·m ²]		75.8	75.8	75.8	110
Degree of protection (The shaft-through portion is excluded.)		IP67	IP67	IP67	IP67
Outline dimension drawing (flange type) (Without a brake, Straight shaft) [mm]					
		178.5	178.5	178.5	218.5
Flange fitting diameter [mm]		ø114.3	ø114.3	ø114.3	ø114.3
Shaft diameter [mm]		ø35	ø35	ø35	ø35
Mass (with a brake) [kg]		20(25)	20(25)	20(25)	27(31)
Absolute position encoder compatible drive unit	1,048,576 [p/rev] (G48)	EH	EH	EH, EMH	EH, EMH

Motor type		HK-H603	HK-H702	HK-H703
Compatible drive unit	1-axis type MDS-EH-V1-	80	80	80W
	2-axis type MDS-EH-V2-	80, 80W	80, 80W	80W, 160
	3-axis type MDS-EH-V3-	-	-	-
	Multi-hybrid type MDS-EMH-SPV3-	-	-	-
	Regenerative resistor type MDS-EJH-V1	-	-	-
Output	Stall torque [N·m]	45.0	57.0	51.0
	Max. torque [N·m]	152	190	152
Rated output [kW]		6.0	7.0	7.0
Max. rotation speed [r/min]		3000	2000	3000
Motor inertia [$\times 10^{-4}$ kg·m ²]		140	140	140
Motor inertia with a brake [$\times 10^{-4}$ kg·m ²]		145	145	145
Degree of protection (The shaft-through portion is excluded.)		IP67	IP67	IP67
Outline dimension drawing (flange type) (Without a brake, Straight shaft) [mm]				
		258.5	258.5	258.5
Flange fitting diameter [mm]		ø114.3	ø114.3	ø114.3
Shaft diameter [mm]		ø35	ø35	ø35
Mass (with a brake) [kg]		33(38)	33(38)	33(38)
Absolute position encoder compatible drive unit	1,048,576 [p/rev] (G48)	EH	EH	EH

(Note 1) Only the combination designated in this manual can be used for the motor and drive unit. Always use the designated combination.

(Note 2) Stall torque is the maximum torque that can be output continuously when the motor rotation is stopped.

LINEAR SERVO MOTOR 400V

■LM-F Series

Motor type	Primary side type		LM-FP5H-60M-1WW0
	Secondary side type		LM-FS50-□-1WW0
Compatible drive unit	1-axis type	MDS-EH-V1-	200
	2-axis type	MDS-EH-V2-	-
	Regenerative resistor type	MDS-EJH-V1-	-
Thrust force [N]	Continuous (natural-cooling)		3000
	Continuous (liquid-cooling)		6000
	Maximum		18000
Rated thrust [N]			6000
Maximum speed (Note 1) [m/s]			2.0
Magnetic attraction force [N]			45000
Degree of protection			IP00
Outline dimension drawing [mm]	Primary side		1010
	Secondary side		480 576
Mass [kg]	Primary side (coil)		67
	Secondary side (magnet)		20.0(480mm) 26.0(576mm)

(Note 1) The maximum speed in actual use is either the linear scale's maximum speed or this specified value, whichever is smaller.

(Note 2) Only the combination designated in this manual can be used for the motor and drive unit. Always use the designated combination.

SPINDLE MOTOR 400V

■SJ-4-V Series (Normal)

Motor type	SJ-4-V2.2-03T	SJ-4-V3.7-03T	SJ-4-V5.5-07T	SJ-4-V7.5-12T	SJ-4-V7.5-13ZT
Compatible drive unit	MDS-EH-SP-20 MDS-EMH-SPV3-	20	40	40	80 8040
Output					
Standard output during acceleration/deceleration [kW]	2.2	3.7	5.5	7.5	7.5
Actual acceleration/deceleration output (Note 2) [kW]	2.64	4.44	6.6	9	9
Base rotation speed [r/min]	1500	1500	8000	1500	12000
Maximum rotation speed [r/min]	10000	10000	8000	8000	12000
Continuous rated torque [N·m]	9.5	14.0	23.6	35.0	35.0
Inertia [kg·m ²]	0.007	0.009	0.015	0.025	0.025
Degree of protection	IP44	IP44	IP44	IP44	IP44
Outline dimension drawing (flange type) [mm]					
Flange fitting diameter [mm]	ø150	ø150	ø150	ø180	ø180
Shaft diameter [mm]	ø28	ø28	ø28	ø32	ø32
Mass [kg]	25	30	49	60	60

Motor type	SJ-4-V11-18T	SJ-4-V18.5-14T	SJ-4-V22-18ZT	SJ-4-V22-15T	SJ-4-V26-08ZT
Compatible drive unit	MDS-EH-SP-80 MDS-EMH-SPV3-	100 10040, 10060	160	160	160
Output					
Standard output during acceleration/deceleration [kW]	11	18.5	15	22	26
Actual acceleration/deceleration output (Note 2) [kW]	13.2	22.2	18	26.4	31.2
Base rotation speed [r/min]	6000	6000	1500	6000	10000
Maximum rotation speed [r/min]	6000	6000	8000	6000	10000
Continuous rated torque [N·m]	47.7	95.5	70.0	118	140
Inertia [kg·m ²]	0.03	0.06	0.06	0.08	0.10
Degree of protection	IP44	IP44	IP44	IP44	IP44
Outline dimension drawing (flange type) [mm]					
Flange fitting diameter [mm]	ø180	ø230	ø230	ø230	ø230
Shaft diameter [mm]	ø48	ø48	ø48	ø55	ø48
Mass [kg]	70	110	110	135	155

(Note 1) Only the combination designated in this manual can be used for the motor and drive unit. Always use the designated combination.
 (Note 2) Actual acceleration/deceleration output is 1.2-fold of "Standard output during acceleration/deceleration" or "Short time rated output".
 (Note 3) The rated output is guaranteed at the rated input voltage (380 to 440VAC 50Hz / 380 to 480VAC 60Hz) to the power supply unit.
 If the input voltage fluctuates and drops below 380VAC, the rated output may not be attained.
 (Note 4) IP code classifies the degree of protection of the motor body. It does not apply to the other electronic parts such as the cooling fan and the encoder.

■SJ-4-V Series (Normal)

Motor type	SJ-4-V37-04ZT	SJ-4-V45-02T	SJ-4-V55-03T
Compatible drive unit	MDS-EH-SP-200 MDS-EMH-SPV3-	320	320
Output			
Standard output during acceleration/deceleration [kW]	37	45	55
Actual acceleration/deceleration output (Note 2) [kW]	44.4	54	66
Base rotation speed [r/min]	1150	1500	1150
Maximum rotation speed [r/min]	6000	4500	3450
Continuous rated torque [N·m]	249	236	374
Inertia [kg·m ²]	0.34	0.34	0.85
Degree of protection	IP44	IP44	IP44
Outline dimension drawing (flange type) [mm]			
Flange fitting diameter [mm]	ø300	ø300	ø450
Shaft diameter [mm]	ø60	ø60	ø75
Mass [kg]	300	300	450

■SJ-4-V Series (Wide range constant output)

Motor type	SJ-4-V15-20T	SJ-4-V22-16T
Compatible drive unit	MDS-EH-SP-100 MDS-EMH-SPV3-	160
Output		
Standard output during acceleration/deceleration [kW]	9	15
Actual acceleration/deceleration output (Note 2) [kW]	10.8	18
Base rotation speed [r/min]	750	750
Maximum rotation speed [r/min]	6000	6000
Continuous rated torque [N·m]	95.5	140
Inertia [kg·m ²]	0.06	0.08
Degree of protection	IP44	IP44
Outline dimension drawing (flange type) [mm]		
Flange fitting diameter [mm]	ø230	ø230
Shaft diameter [mm]	ø48	ø55
Mass [kg]	110	135

(Note 1) Only the combination designated in this manual can be used for the motor and drive unit. Always use the designated combination.
 (Note 2) Actual acceleration/deceleration output is 1.2-fold of "Standard output during acceleration/deceleration" or "Short time rated output".
 (Note 3) The rated output is guaranteed at the rated input voltage (380 to 440VAC 50Hz / 380 to 480VAC 60Hz) to the power supply unit.
 If the input voltage fluctuates and drops below 380VAC, the rated output may not be attained.
 (Note 4) IP code classifies the degree of protection of the motor body. It does not apply to the other electronic parts such as the cooling fan and the encoder.

BUILT-IN SPINDLE MOTOR 400V

■SJ-4BG Series

Motor type (Note 1)		SJ-4BG160D/150-01□		SJ-4BG180F/150-01□		
Compatible drive unit	MDS-EH-SP-	80		160		
Output Actual acceleration/ deceleration <input type="checkbox"/> Acceleration/ Deceleration <input type="checkbox"/> %ED rating <input type="checkbox"/> <input type="checkbox"/> Continuous rating <input type="checkbox"/>						
	Standard output during acceleration/deceleration [kW]	9.0	15	18.5		
	Actual acceleration/deceleration output (Note 3) [kW]	10.8	18	22.2		
	Continuous base rotation speed [r/min]	1500	900	1500		
	Maximum rotation speed [r/min]	15000	2500	15000		
Continuous rated torque [N·m]	23.6	79.6	47.7			
Rotor inertia [kg·m ²]	0.0070	0.023				
Outline dimension drawing [mm]						
	Mass	Stator [kg]	11	27		
	Rotor [kg]	4.2	10			

Motor type (Note 1)		SJ-4BG300C/080-02□			
Compatible drive unit	MDS-EH-SP-	100			
Output Actual acceleration/ deceleration <input type="checkbox"/> Acceleration/ Deceleration <input type="checkbox"/> %ED rating <input type="checkbox"/> <input type="checkbox"/> Continuous rating <input type="checkbox"/>					
	Standard output during acceleration/deceleration [kW]	15	22		
	Actual acceleration/deceleration output (Note 3) [kW]	18	26.4		
	Continuous base rotation speed [r/min]	450	1100		
	Maximum rotation speed [r/min]	1500	8000		
Continuous rated torque [N·m]	233	130			
Rotor inertia [kg·m ²]	0.21				
Outline dimension drawing [mm]					
	Mass	Stator [kg]	48		
	Rotor [kg]	28			

■SJ-4BGS Series (Normal)

Motor type (Note 1)		SJ-4BGS160B/300-01□		SJ-4BGS210B/120-01□		
Compatible drive unit	MDS-EH-SP-	600		160		
Output Actual acceleration/ deceleration <input type="checkbox"/> Acceleration/ Deceleration <input type="checkbox"/> %ED rating <input type="checkbox"/> <input type="checkbox"/> Continuous rating <input type="checkbox"/>						
	Standard output during acceleration/deceleration [kW]	70	30	30		
	Actual acceleration/deceleration output (Note 3) [kW]	84	36	36		
	Continuous base rotation speed [r/min]	17500	2300	5000		
	Maximum rotation speed [r/min]	30000	5000	12000		
Continuous rated torque [N·m]	35.5	91.3	42.0			
Rotor inertia [kg·m ²]	0.0043	0.020				
Outline dimension drawing [mm]						
	Mass	Stator [kg]	14	18		
	Rotor [kg]	2.2	6.8			

Motor type (Note 1)		SJ-4BGS240B/120-01□			
Compatible drive unit	MDS-EH-SP-	320			
Output Actual acceleration/ deceleration <input type="checkbox"/> Acceleration/ Deceleration <input type="checkbox"/> %ED rating <input type="checkbox"/> <input type="checkbox"/> Continuous rating <input type="checkbox"/>					
	Standard output during acceleration/deceleration [kW]	37	37		
	Actual acceleration/deceleration output (Note 3) [kW]	44.4	44.4		
	Continuous base rotation speed [r/min]	1600	4000		
	Maximum rotation speed [r/min]	4000	12000		
Continuous rated torque [N·m]	161	64.5			
Rotor inertia [kg·m ²]	0.054				
Outline dimension drawing [mm]					
	Mass	Stator [kg]	28		
	Rotor [kg]	13			

(Note 1) Please contact your Mitsubishi Electric dealer for the special products not listed above.
 (Note 2) Only the combination designated in this manual can be used for the motor and drive unit. Always use the designated combination.
 (Note 3) Actual acceleration/deceleration output is 1.2-fold of "Standard output during acceleration/deceleration" or "Short time rated output".

(Note 1) Please contact your Mitsubishi Electric dealer for the special products not listed above.
 (Note 2) Only the combination designated in this manual can be used for the motor and drive unit. Always use the designated combination.
 (Note 3) Actual acceleration/deceleration output is 1.2-fold of "Standard output during acceleration/deceleration" or "Short time rated output".
 (Note 4) SJ-4BGS160B/300-01□ is without rotor sleeve, and SJ-4BGS210B/120-01□ and SJ-4BGS240B/120-01□ are with rotor sleeves.

TOOL SPINDLE MOTOR 400V

■HG-JR Series

Motor type		HG-JR734	HG-JR1534
Compatible drive unit	1-axis type MDS-EH-SP-	20	40
Output			
Rated torque	[N·m]		
Max. torque	[N·m]		
Rated output	[kW]	0.75	1.5
Max. rotation speed	[r/min]	8000	
Motor inertia	[$\times 10^{-4} \text{kg} \cdot \text{m}^2$]	2.09	3.79
Degree of protection (The shaft-through portion is excluded.)		IP67	
Outline dimension drawing	[mm]		
Flange fitting diameter	[mm]	ø80	
Shaft diameter	[mm]	ø16	
Mass	[kg]	3.7	5.9

(Note) Only the combination designated in this manual can be used for the motor and drive unit. Always use the designated combination.

DRIVE UNIT

■MDS-E Series

1-axis servo drive unit

Drive unit type	MDS-E-V1-20	MDS-E-V1-40	MDS-E-V1-80	MDS-E-V1-160	MDS-E-V1-160W	MDS-E-V1-320	MDS-E-V1-320W
Drive unit category	1-axis servo						
Nominal maximum current (peak) [A]	20	40	80	160	160	320	320
Power input	270 to 324DC						
Rated voltage [V]	200 to 240AC Tolerable fluctuation: between +10% and -15%						
Rated current [A]	7.0	7.0	14	30	35	45	55
Control power input	MAX. 0.6						
Voltage [V]	50/60 Tolerable fluctuation: between +5% and -5%						
Current [A]							
Frequency [Hz]							
Control method	Sine wave PWM control method						
Dynamic brakes	Built-in						External (MDS-D-DBU)
Machine end encoder	Compatible						
Degree of protection	IP20 (excluding terminal block)						
Cooling method	Forced air cooling						
Mass [kg]	3.8	3.8	3.8	3.8	4.5	5.8	7.5
Unit outline dimension drawing	A1	A1	A1	A1	B1	C1	D1

2-axis servo drive unit

Drive unit type	MDS-E-V2-20	MDS-E-V2-40	MDS-E-V2-80	MDS-E-V2-160	MDS-E-V2-160W
Drive unit category	2-axis servo				
Nominal maximum current (peak) [A]	20/20	40/40	80/80	160/160	160/160
Power input	270 to 324DC				
Rated voltage [V]	200 to 240AC Tolerable fluctuation: between +10% and -15%				
Rated current [A]	14	14	28	60	70
Control power input	MAX. 0.6				
Voltage [V]	50/60 Tolerable fluctuation: between +5% and -5%				
Current [A]					
Frequency [Hz]					
Control method	Sine wave PWM control method				
Dynamic brakes	Built-in				
Machine end encoder	Compatible				
Degree of protection	IP20 (excluding terminal block)				
Cooling method	Forced air cooling				
Mass [kg]	4.5	4.5	4.6	5.2	6.3
Unit outline dimension drawing	A1	A1	A1	B1	C1

3-axis servo drive unit

Drive unit type	MDS-E-V3-20	MDS-E-V3-40	MDS-E-V3-80
Drive unit category	3-axis servo		
Nominal maximum current (peak) [A]	20/20/20	40/40/40	80/80/80
Power input	270 to 324DC		
Rated voltage [V]	200 to 240AC Tolerable fluctuation: between +10% and -15%		
Rated current [A]	21	21	42
Control power input	MAX. 0.6		
Voltage [V]	50/60 Tolerable fluctuation: between +5% and -5%		
Current [A]			
Frequency [Hz]			
Control method	Sine wave PWM control method		
Dynamic brakes	Built-in		
Machine end encoder	Compatible		
Degree of protection	IP20 (excluding terminal block)		
Cooling method	Forced air cooling		Natural-cooling
Mass [kg]	4.3		6.2
Unit outline dimension drawing	A1		B2

■MDS-E Series

1-axis spindle drive unit

Drive unit type	MDS-E-SP-20	MDS-E-SP-40	MDS-E-SP-80	MDS-E-SP-160	MDS-E-SP-200	MDS-E-SP-240	MDS-E-SP-320	MDS-E-SP-400	MDS-E-SP-640	
Drive unit category	1-axis spindle									
Nominal maximum current (peak) [A]	20	40	80	160	200	240	320	400	640	
Power input	Rated voltage [V]	270 to 324DC								
	Rated current [A]	7.0	13	20	41	76	95	140	150	210
Control power input	Voltage [V]	200 to 240AC Tolerable fluctuation: between +10% and -15%								
	Current [A]	MAX. 0.6								
	Frequency [Hz]	50/60 Tolerable fluctuation: between +5% and -5%								
Control method	Sine wave PWM control method									
Degree of protection	IP20 (excluding terminal block)									
Cooling method	Forced air cooling									
Mass [kg]	3.8	3.8	3.8	4.5	5.8	7.5	8.5	15.6	18.3	
Unit outline dimension drawing	A1	A1	A1	B1	C1	D1	D2	E1	F1	

2-axis spindle drive unit

Drive unit type	MDS-E-SP2-20	MDS-E-SP2-40	MDS-E-SP2-80	MDS-E-SP2-16080
Drive unit category	2-axis spindle			
Nominal maximum current (peak) [A]	20/20	40/40	80/80	160/80
Power input	Rated voltage [V]	270 to 324DC		
	Rated current [A]	14	26	40
Control power input	Voltage [V]	200 to 240AC Tolerable fluctuation: between +10% and -15%		
	Current [A]	MAX. 0.6		
	Frequency [Hz]	50/60 Tolerable fluctuation: between +5% and -5%		
Control method	Sine wave PWM control method			
Degree of protection	IP20 (excluding terminal block)			
Cooling method	Forced air cooling			
Mass [kg]	4.5	4.5	5.2	5.2
Unit outline dimension drawing	A1	A1	B1	B1

Power supply unit

Power supply unit	MDS-E-CV-37	MDS-E-CV-75	MDS-E-CV-110	MDS-E-CV-185	MDS-E-CV-300	MDS-E-CV-370	MDS-E-CV-450	MDS-E-CV-550
30-minute rated output [kW]	3.7	7.5	11.0	18.5	30.0	37.0	45.0	55.0
Continuous rated output [kW]	2.2	5.5	7.5	15.0	26.0	30.0	37.0	45.0
Power input	Rated voltage [V]	200 to 240AC Tolerable fluctuation: between +10% and -15%						
	Rated current [A]	15	26	35	65	107	121	200
Control power input	Voltage [V]	200 to 240AC Tolerable fluctuation: between +10% and -15%						
	Current [A]	MAX. 0.2						
	Frequency [Hz]	50/60 Tolerable fluctuation: between +5% and -5%						
Regeneration method	Power regeneration method							
Degree of protection	IP20 (excluding terminal block)							
Cooling method	Natural-cooling				Forced air cooling			
Mass [kg]	3.5	3.5	5.6	5.7	10.6	11.2	11.7	25.5
Unit outline dimension drawing	A2	A2	B1	B1	D1	D1	D2	F1

AC reactor

AC reactor model	D-AL-7.5K	D-AL-11K	D-AL-18.5K	D-AL-30K	D-AL-37K	D-AL-45K	D-AL-55K	
Compatible power supply unit type	MDS-E-CV-	37, 75	110	185	300	370	450	550
Rated capacity [kW]	7.5	11	18.5	30	37	45	55	
Rated voltage [V]	200 to 240AC Tolerable fluctuation: between +10% and -15%							
Rated current [A]	27	40	66	110	133	162	198	
Frequency [Hz]	50/60 Tolerable fluctuation: between +5% and -5%							
Mass [kg]	4.2	3.7	5.3	6.1	8.6	9.7	11.5	
Unit outline dimension drawing	R1	R1	R2	R2	R3	R3	R4	

■MDS-EH Series

1-axis servo drive unit

Drive unit type	MDS-EH-V1-10	MDS-EH-V1-20	MDS-EH-V1-40	MDS-EH-V1-80	MDS-EH-V1-80W	MDS-EH-V1-160	MDS-EH-V1-160W	MDS-EH-V1-200
Drive unit category	1-axis servo							
Nominal maximum current (peak) [A]	10	20	40	80	80	160	160	200
Power input	Rated voltage [V]	513 to 648DC						
	Rated current [A]	0.9	1.6	2.9	6.0	8.0	11.9	16.7
Control power input	Voltage [V]	380 to 480AC Tolerable fluctuation: between +10% and -15%						
	Current [A]	MAX. 0.3						
	Frequency [Hz]	50/60 Tolerable fluctuation: between +5% and -5%						
Control method	Sine wave PWM control method							
Dynamic brakes	Built-in				External (MDS-D-DBU)			
Degree of protection	IP20 (excluding terminal block)							
Cooling method	Natural-cooling		Forced air cooling					
Mass [kg]	3.8	3.8	3.8	3.8	4.5	5.8	7.5	15.4
Unit outline dimension drawing	A1	A1	A1	A1	B1	C1	D1	E1

2-axis servo drive unit

Drive unit type	MDS-EH-V2-10	MDS-EH-V2-20	MDS-EH-V2-40	MDS-EH-V2-80	MDS-EH-V2-80W	MDS-EH-V2-160
Drive unit category	2-axis servo					
Nominal maximum current (peak) [A]	10/10	20/20	40/40	80/80	80/80	160/160
Power input	Rated voltage [V]	513 to 648DC				
	Rated current [A]	1.8	3.2	5.8	12	16
Control power input	Voltage [V]	380 to 480AC Tolerable fluctuation: between +10% and -15%				
	Current [A]	MAX. 0.3				
	Frequency [Hz]	50/60 Tolerable fluctuation: between +5% and -5%				
Control method	Sine wave PWM control method					
Dynamic brakes	Built-in					
Degree of protection	IP20 (excluding terminal block)					
Cooling method	Natural-cooling		Forced air cooling			
Mass [kg]	4.6	4.6	4.6	5.2	6.3	7.2
Unit outline dimension drawing	A1	A1	A1	B1	C1	C1

3-axis servo drive unit

Drive unit type	MDS-EH-V3-40	
Drive unit category	3-axis servo	
Nominal maximum current (peak) [A]	40/40/40	
Power input	Rated voltage [V]	513 to 648DC
	Rated current [A]	8.7
Control power input	Voltage [V]	380 to 480AC Tolerable fluctuation: between +10% and -15%
	Current [A]	MAX. 0.3
	Frequency [Hz]	50/60 Tolerable fluctuation: between +5% and -5%
Control method	Sine wave PWM control method	
Dynamic brakes	Built-in	
Degree of protection	IP20 (excluding terminal block)	
Cooling method	Natural-cooling	
Mass [kg]	6.2	
Unit outline dimension drawing	B2	

1-axis spindle drive unit

Drive unit type	MDS-EH-SP-20	MDS-EH-SP-40	MDS-EH-SP-80	MDS-EH-SP-100	MDS-EH-SP-160	MDS-EH-SP-200	MDS-EH-SP-320	MDS-EH-SP-480	MDS-EH-SP-600
Drive unit category	1-axis spindle								
Nominal maximum current (peak) [A]	20	40	80	100	160	200	320	480	600
Power input	Rated voltage [V]	513 to 648DC							
	Rated current [A]	10	15	21	38	72	82	119	150
Control power input	Voltage [V]	380 to 480AC Tolerable fluctuation: between +10% and -15%							
	Current [A]	MAX. 0.3							
	Frequency [Hz]	50/60 Tolerable fluctuation: between +5% and -5%							
Control method	Sine wave PWM control method								
Degree of protection	IP20 (excluding terminal block)								
Cooling method	Forced air cooling								
Mass [kg]	3.8	3.8	4.5	5.8	7.5	15.4	15.4	18.3	20.1
Unit outline dimension drawing	A1	A1	B1	C1	D1	E1	E1	F1	F1

(Note) Rated output capacity and rated speed of the motor used in combination with the drive unit are as indicated when using the power supply voltage and frequency listed. The torque drops when the voltage is less than specified.

■MDS-EH Series

Power supply unit

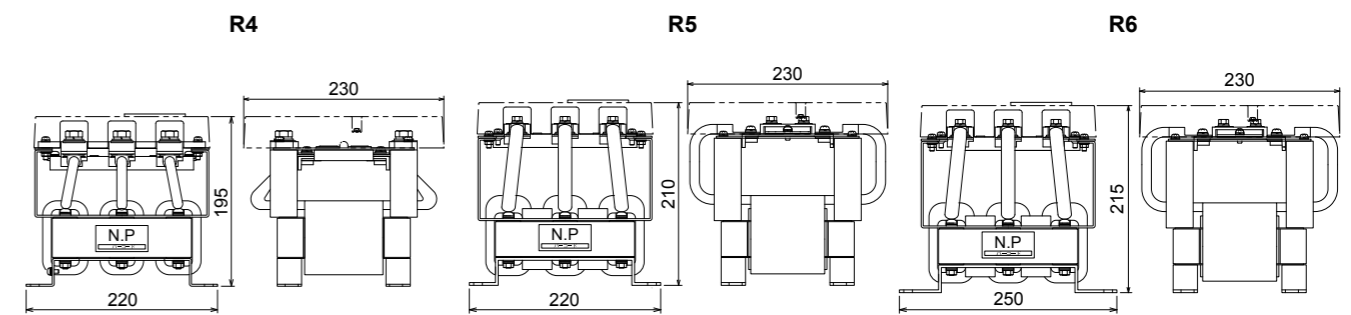
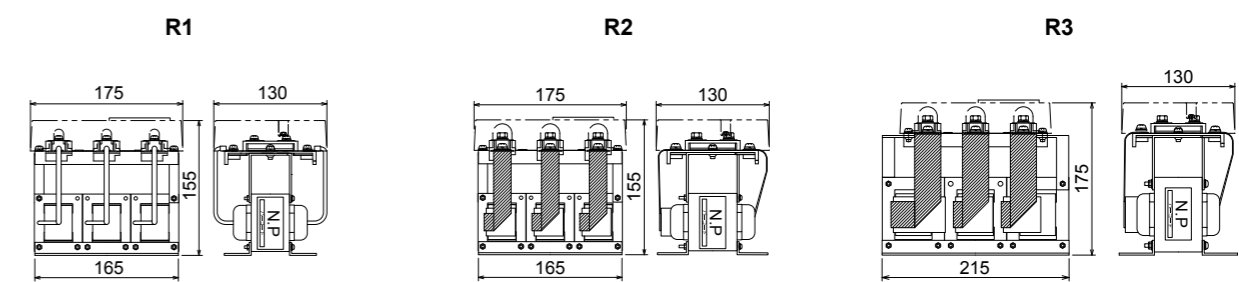
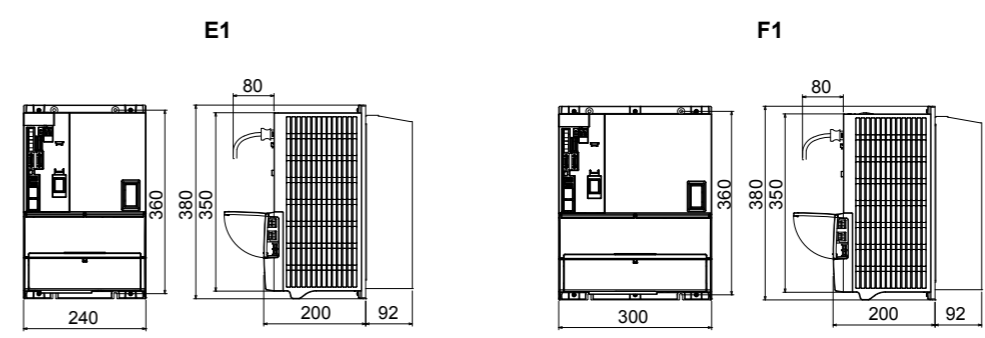
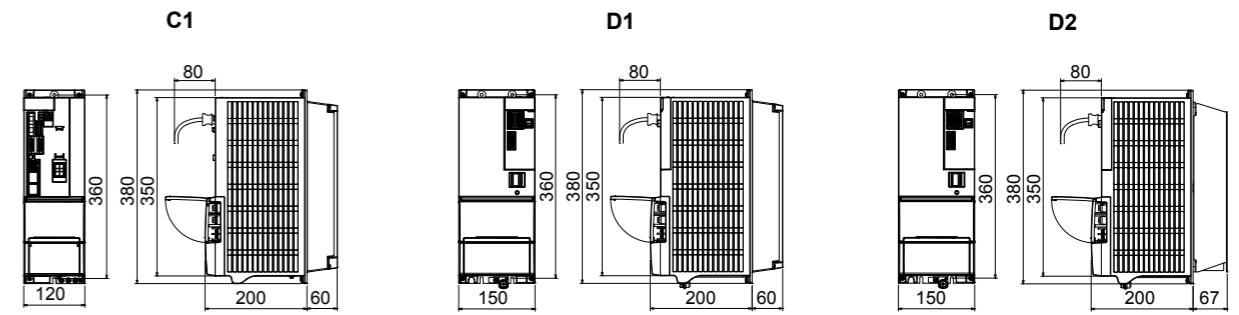
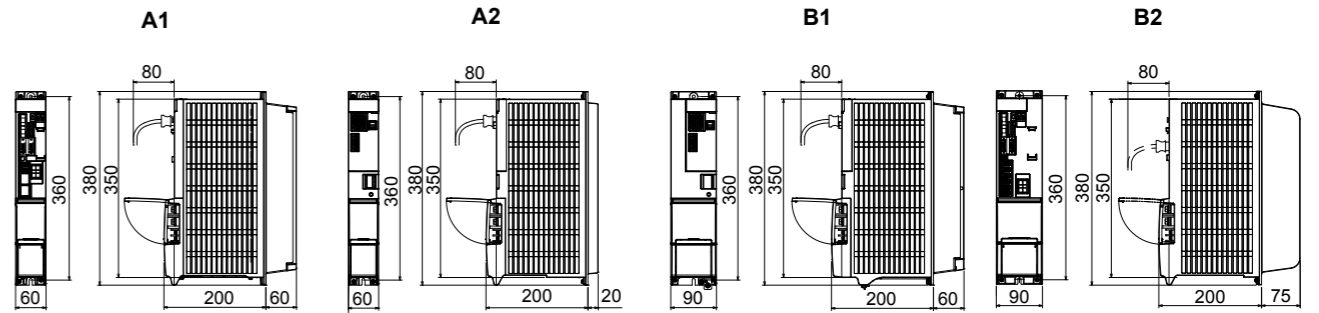
Power supply unit type	MDS-EH-CV-37	MDS-EH-CV-75	MDS-EH-CV-110	MDS-EH-CV-185	MDS-EH-CV-300	MDS-EH-CV-370	MDS-EH-CV-450	MDS-EH-CV-550	MDS-EH-CV-750
30-minute rated output [kW]	3.7	7.5	11.0	18.5	30.0	37.0	45.0	55.0	75.0
Continuous rated output [kW]	2.2	5.5	7.5	15	26	30	37	45	55
Power input	Rated voltage [V]	380 to 480AC Tolerable fluctuation: between +10% and -15%							
	Rated current [A]	5.2	13	18	35	61	70	85	106
Control power input	Voltage [V]	380 to 480AC Tolerable fluctuation: between +10% and -15%							
	Current [A]	MAX. 0.1							
	Frequency [Hz]	50/60 Tolerable fluctuation: between +5% and -5%							
Main circuit method	Converter with power regeneration circuit								
Degree of protection	IP20 (excluding terminal block)								
Cooling method	Forced air cooling								
Mass [kg]	5.7	5.7	6.0	6.0	10.0	10.0	10.0	25.5	25.5
Unit outline dimension drawing	B1	B1	B1	B1	D1	D1	D1	F1	F1

AC reactor

AC reactor model	DH-AL-7.5K	DH-AL-11K	DH-AL-18.5K	DH-AL-30K	DH-AL-37K	DH-AL-45K	DH-AL-55K	DH-AL-75K
Compatible power supply unit type	MDS-EH-CV-37, 75	110	185	300	370	450	550	750
Rated capacity [kW]	7.5	11	18.5	30	37	45	55	75
Rated voltage [V]	380 to 480AC Tolerable fluctuation: between +10% and -15%							
Rated current [A]	14	21	37	65	75	85	105	142
Frequency [Hz]	50/60 Tolerable fluctuation: between +5% and -5%							
Mass [kg]	4.0	3.7	5.3	6.0	8.5	9.8	10.5	13.0
Unit outline dimension drawing	R1	R1	R2	R2	R3	R3	R5	R6

Unit Outline Dimension Drawing

Unit [mm]



■MDS-EM/EMH Series
Multi-hybrid drive unit

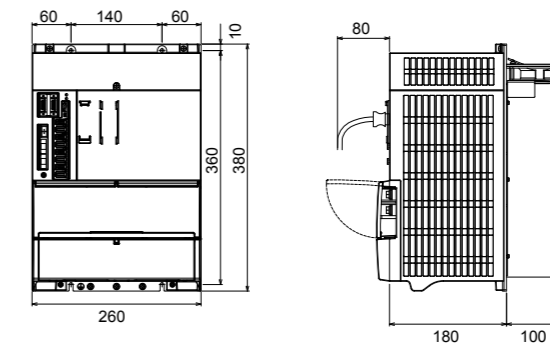
Drive unit type	MDS-EM-SPV3-10040	MDS-EM-SPV3-10080	MDS-EM-SPV3-16040	MDS-EM-SPV3-16040S	MDS-EM-SPV3-16080	MDS-EM-SPV3-20080	MDS-EM-SPV3-200120	MDS-EM-SPV3-320120
Drive unit category	3-axis servo, 1-axis spindle (with converter)							
Nominal maximum current (spindle/servo) [A]	100/40×3	100/80×3	160/40×3	160/40×3	160/80×3	200/80×3	200/120×3	320/120×3
Power input	Rated voltage [V]	200 to 240AC Tolerable fluctuation: between +10% and -15%						
	Rated current [A]	36	38	45	45	48	60	65
Control power input	Voltage [V]	24DC Tolerable fluctuation: between +10% and -10%						
	Current [A]	MAX. 4						
	Frequency [Hz]	50/60 Tolerable fluctuation: between +5% and -5%						
Control method	Sine wave PWM control method							
Regeneration method	Power regeneration method							
Dynamic brakes (servo)	Built-in							
Machine end encoder (servo)	Compatible							
Degree of protection	IP20 (excluding terminal block)							
Cooling method	Forced air cooling							
Mass [kg]	14	14	14	14.5	14	14	14	20.7

[Unit : mm]

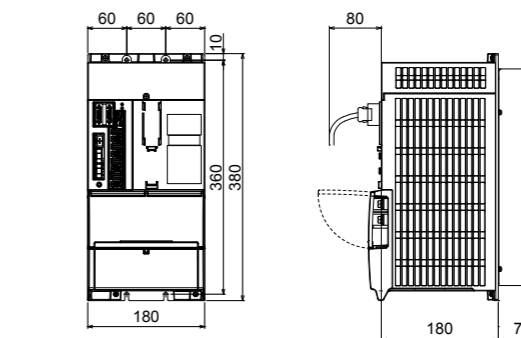
Drive unit type	MDS-EMH-SPV3-8040	MDS-EMH-SPV3-10040	MDS-EMH-SPV3-10060
Drive unit category	3-axis servo, 1-axis spindle (with converter)		
Nominal maximum current (spindle/servo) [A]	80/40×3	100/40×3	100/60×3
Power input	Rated voltage [V]	380 to 480AC Tolerable fluctuation: between +10% and -15%	
	Rated current [A]	27	34
Control power input	Voltage [V]	24DC Tolerable fluctuation: between +10% and -10%	
	Current [A]	MAX. 4	
	Frequency [Hz]	50/60 Tolerable fluctuation: between +5% and -5%	
Control method	Sine wave PWM control method		
Regeneration method	Power regeneration method		
Dynamic brakes (servo)	Built-in		
Machine end encoder (servo)	Compatible		
Degree of protection	IP20 (excluding terminal block)		
Cooling method	Forced air cooling		
Mass [kg]	15	15	15

[Unit : mm]

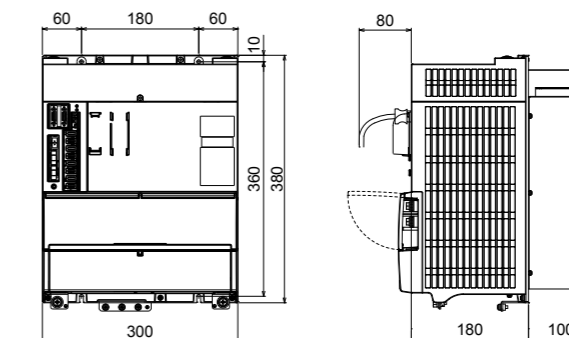
Unit outline dimension drawing
< MDS-EM-SPV3-10040 to 200120 >
< MDS-EMH-SPV3-8040 to 10060 >



< MDS-EM-SPV3-16040S >



< MDS-EM-SPV3-320120 >



[Unit : mm]

■MDS-EJ/EJH Series
All-in-one compact servo drive unit

Drive unit type	MDS-EJ-V1-10	MDS-EJ-V1-15	MDS-EJ-V1-30	MDS-EJ-V1-40	MDS-EJ-V1-80	MDS-EJ-V1-100
Drive unit category	1-axis servo (with converter)					
Nominal maximum current (peak) [A]	10	15	30	40	80	100
Power input	Rated voltage [V]	3-phase or single-phase 200 to 240AC Tolerable fluctuation: between +10% and -15%			3-phase 200 to 240AC Tolerable fluctuation: between +10% and -15%	
	Rated current [A]	1.5 (Note)	2.9 (Note)	3.8 (Note)	8.0	10.5
Control power input	Voltage [V]	Single-phase 200 to 240AC Tolerable fluctuation: between +10% and -15%				
	Current [A]	MAX. 0.2				
	Frequency [Hz]	50/60 Tolerable fluctuation: between +5% and -5%				
Control method	Sine wave PWM control method					
Regeneration method	Power regeneration method					
Dynamic brakes	Built-in					
Machine end encoder	Compatible					
Degree of protection	IP20					
Cooling method	Natural cooling			Forced air cooling		
Mass [kg]	0.8	1.0	1.4	2.1	2.1	2.3
Unit outline dimension drawing	J1a	J1b	J2a	J4	J4	J4

(Note) The current value when a 3-phase power supply is used.

Drive unit type	MDS-EJ-V2-30	MDS-EJ-V2-40	
Drive unit category	2-axis servo (with converter)		
Nominal maximum current (peak) [A]	30/30	40/40	
Power input	Rated voltage [V]	3-phase 200 to 240AC Tolerable fluctuation: between +10% and -15%	
	Rated current [A]	7.6	16.0
Control power input	Voltage [V]	Single-phase 200 to 240AC Tolerable fluctuation: between +10% and -15%	
	Current [A]	MAX. 0.4	
	Frequency [Hz]	50/60 Tolerable fluctuation: between +5% and -5%	
Control method	Sine wave PWM control method		
Regeneration method	Power regeneration method		
Dynamic brakes	Built-in		
Machine end encoder	Compatible		
Degree of protection	IP20		
Cooling method	Forced air cooling		
Mass [kg]	1.9	4.6	
Unit outline dimension drawing	J3	J5b	

Drive unit type	MDS-EJH-V1-10	MDS-EJH-V1-15	MDS-EJH-V1-20	MDS-EJH-V1-40
Drive unit category	1-axis servo (with converter)			
Nominal maximum current (peak) [A]	10	15	20	40
Power input	Rated voltage [V]	3-phase 380 to 480AC Tolerable fluctuation: between +10% and -15%		
	Rated current [A]	1.4	2.5	5.1
Control power input	Voltage [V]	Single-phase 380 to 480AC Tolerable fluctuation: between +10% and -15%		
	Current [A]	MAX. 0.1		MAX. 0.2
	Frequency [Hz]	50/60 Tolerable fluctuation: between +5% and -5%		
Control method	Sine wave PWM control method			
Regeneration method	Power regeneration method			
Dynamic brakes	Built-in			
Machine end encoder	Compatible			
Degree of protection	IP20			
Cooling method	Natural cooling		Forced air cooling	
Mass [kg]	1.7	1.7	2.1	3.6
Unit outline dimension drawing	J2b		J4	J5a

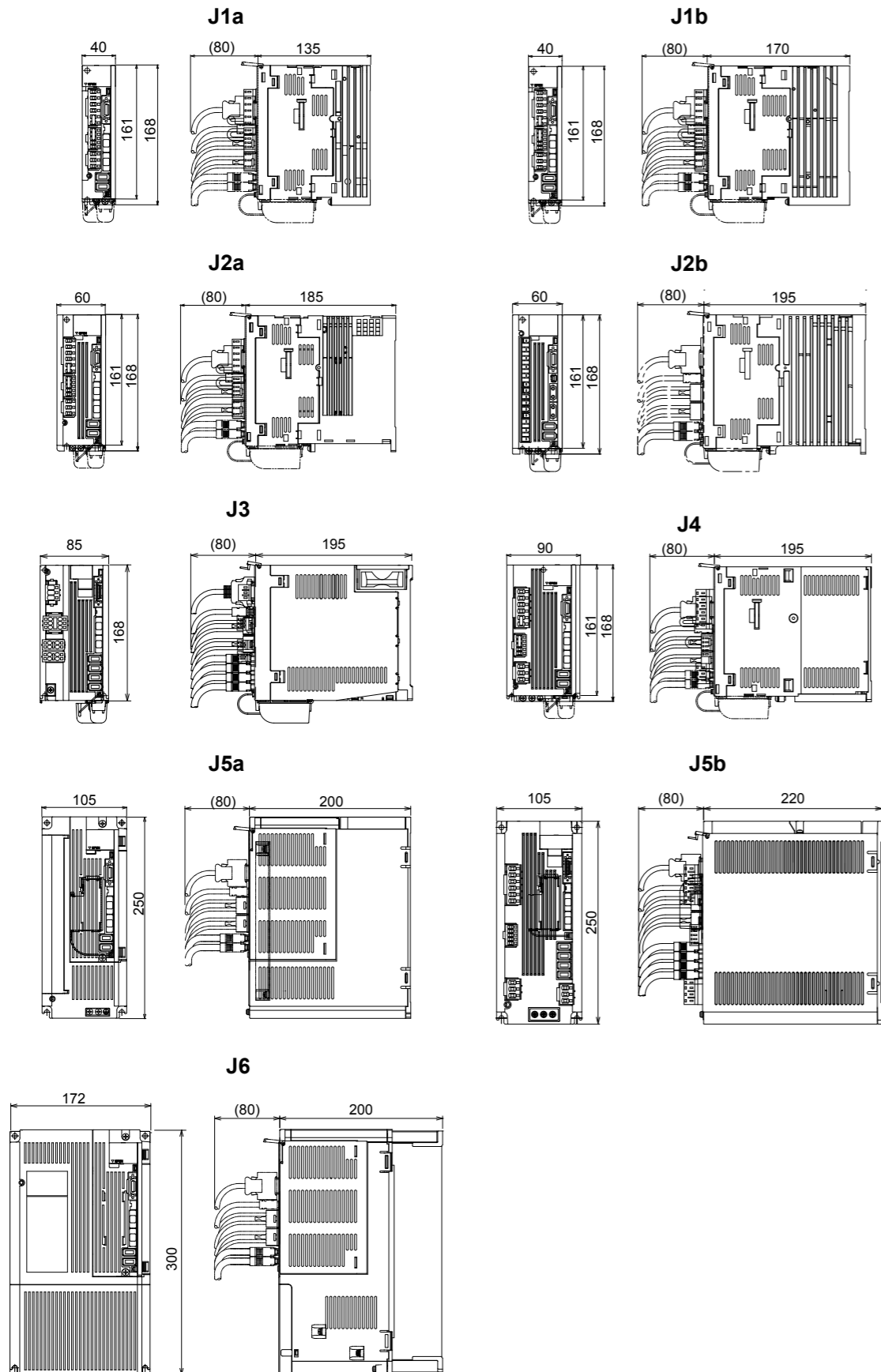
All-in-one compact spindle drive unit

Drive unit type	MDS-EJ-SP-20	MDS-EJ-SP-40	MDS-EJ-SP-80	MDS-EJ-SP-100	MDS-EJ-SP-120	MDS-EJ-SP-160
Drive unit category	1-axis spindle (with converter)					
Nominal maximum current (peak) [A]	20	40	80	100	120	160
Power input	Rated voltage [V]	3-phase 200 to 240AC Tolerable fluctuation: between +10% and -15%				
	Rated current [A]	2.6	9.0	10.5	16	26
Control power input	Voltage [V]	Single-phase 200 to 240AC Tolerable fluctuation: between +10% and -15%				
	Current [A]	MAX. 0.2				
	Frequency [Hz]	50/60 Tolerable fluctuation: between +5% and -5%				
Control method	Sine wave PWM control method					
Regeneration method	Power regeneration method					
Degree of protection	IP20			IP20 (excluding terminal block)		
Cooling method	Forced air cooling					
Mass [kg]	1.4	2.1	2.3	4.0	4.0	6.2
Unit outline dimension drawing	J2a	J4	J4	J5a	J5a	J6

Drive unit type	MDS-EJ-SP2-20		
Drive unit category	2-axis servo (with converter)		
Nominal maximum current (peak) [A]	20/20		
Power input	Rated voltage [V]	3-phase 200 to 240AC Tolerable fluctuation: between +10% and -15%	
	Rated current [A]	5.2	
Control power input	Voltage [V]	Single-phase 200 to 240AC Tolerable fluctuation: between +10% and -15%	
	Current [A]	MAX. 0.4	
	Frequency [Hz]	50/60 Tolerable fluctuation: between +5% and -5%	
Control method	Sine wave PWM control method		
Regeneration method	Power regeneration method		
Degree of protection	IP20 (excluding terminal block)		
Cooling method	Forced air cooling		
Mass [kg]	1.9		
Unit outline dimension drawing	J3		

Unit outline dimension drawing

Unit [mm]



■MDS-EX-CVP Series Power supply unit

Power supply unit type	MDS-EX-CVP-1100H	MDS-EX-FTB-1100H	MDS-EX-FB-1100H
30-minute rated output [kW]	110		
Continuous rated output [kW]	90		
Power input	Rated voltage [V]	3 AC380 to 480	
	Rated current [A]	154	
Control power input	Voltage [V]	AC380 to 480	-
	Current [A]	0.3	-
	Frequency [Hz]	50/60 (Allowable range: 47 to 63)	-
Main circuit method	PWM converter	Filter circuit	Fuse circuit
Degree of protection	Open IP20 (excluding terminal block)		
Cooling method	Forced air cooling	Natural-cooling	
Mass [kg]	36.0	11.5	5.8

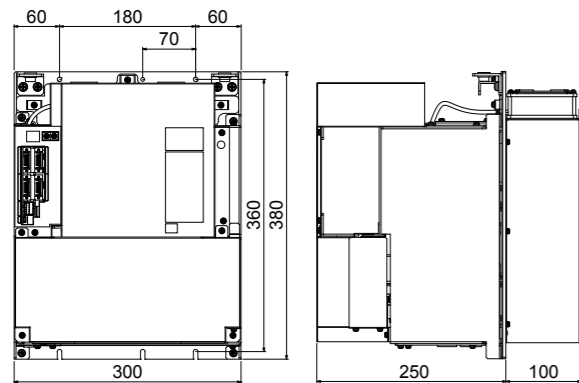
AC reactor

AC reactor model	MDS-EX-ALC-1100H	MDS-EX-ALF-1100H
Compatible power supply unit model	MDS-EX-CVP-1100H	1100H
30-minute rated output [kW]	110	
Continuous rated output [kW]	90	
Rated voltage [V]	3 AC380 to 480	
Rated current [A]	154	
Frequency [Hz]	50/60 (Allowable range: 47 to 63)	
Mass [kg]	90.0	24.5

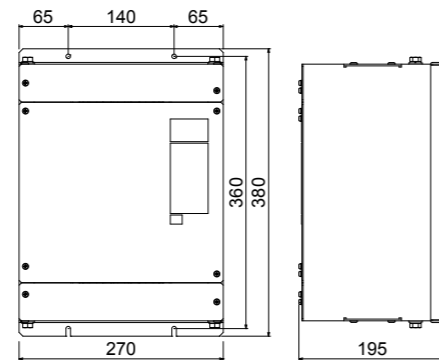
Unit outline dimension drawing

Unit [mm]

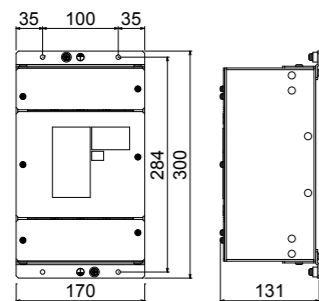
< MDS-EX-CVP-1100H >



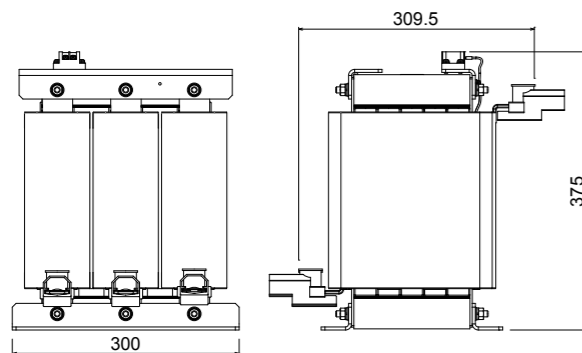
< MDS-EX-FTB-1100H >



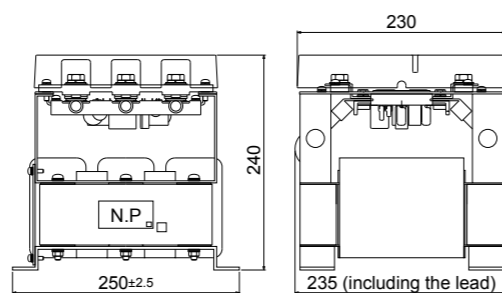
< MDS-EX-FB-1100H >



< MDS-EX-ALC-1100H >



< MDS-EX-ALF-1100H >



SELECTION OF THE POWER SUPPLY UNIT

For the power supply unit, calculate the spindle motor output and servo motor output each, and select the capacity satisfying the required rated capacity and the maximum momentary output.

■ Calculation of Spindle Output

The spindle rated output and spindle maximum momentary rated output are calculated.

(1) Calculation of spindle rated output

The spindle rated output is calculated according to the following procedure.

(a) Spindle motor rated output

The spindle motor rated output is calculated from the following expression.

Spindle motor rated output =
MAX (continuous rated output, short-time rated output × short-time rated output coefficient α , %ED rated output × %ED rated output coefficient β)

(Note 1) For the spindle motor rated output, use the maximum value of "continuous rated output", "short-time rated output × short-time rated output coefficient α ", and "%ED rated output × %ED rated output coefficient β ".

(Note 2) Select the maximum value for the spindle motor with multiple %ED rated output characteristics.

For the spindle short-time rated output coefficient α , use the value in the following table.

List of short-time rated output time and short-time rated output coefficient

Short-time rated output time	Short-time rated output coefficient α	Short-time rated output time	Short-time rated output coefficient α
1 minute	0.2	5 minutes	0.7
2 minutes	0.4	6~7 minutes	0.8
3 minutes	0.5	8~9 minutes	0.9
4 minutes	0.6	10 minutes or more	1.0

(Note 1) Select the set time for the short-time rated output of your spindle motor from the list. E.g.) When the set time for the short-time rated output is "1/12h", it means "5 minutes".

(Note 2) For the motor with coil changeover specification, select the set time for the short-time rated output of the high-speed coil.

For the %ED rated output coefficient β , use the value in the following table.

List of %ED rated output time and %ED rated output coefficient

%ED rated output time	%ED rated output coefficient β
More than or equal to 10% but less than 20%	0.7
More than or equal to 20% but less than 30%	0.9
More than or equal to 30%	1.0

(b) Spindle rated output

The spindle rated output is calculated from the following expression.

Spindle rated output
 =Spindle motor rated output × motor output coefficient γ of the combined spindle drive unit

For the spindle motor rated output of the above expression, use the value calculated in (a).
 For the motor output coefficient of the combined spindle drive unit, use the value corresponding to the used spindle drive unit in the in the following table.

Motor output coefficient list of combined spindle drive unit

< MDS-E Series >

Spindle motor rated output	Combined spindle drive unit MDS-E-SP-								
	20	40	80	160	200	240	320	400	640
to 1.5kW	1.00	1.15	1.25	—	—	—	—	—	—
to 2.2kW	—	1.00	1.15	1.30	—	—	—	—	—
to 3.7kW	—	1.00	1.05	1.20	—	—	—	—	—
to 5.5kW	—	—	1.00	1.10	1.20	—	—	—	—
to 7.5kW	—	—	—	1.00	1.15	1.20	—	—	—
to 11.0kW	—	—	—	1.00	1.05	1.10	1.15	—	—
to 15.0kW	—	—	—	—	1.00	1.05	1.10	—	—
to 18.5kW	—	—	—	—	1.00	1.00	1.05	1.10	—
to 22kW	—	—	—	—	—	1.00	1.05	1.05	1.15
to 26kW	—	—	—	—	—	—	1.00	1.00	1.10
to 30kW	—	—	—	—	—	—	1.00	1.00	1.05
to 37kW	—	—	—	—	—	—	—	1.00	1.05
to 45kW	—	—	—	—	—	—	—	—	1.0
to 55kW	—	—	—	—	—	—	—	—	1.0

< MDS-EH Series >

Spindle motor rated output	Combined spindle drive unit MDS-EH-SP-								
	20	40	80	100	160	200	320	480	600
to 2.2kW	1.00	1.15	1.30	—	—	—	—	—	—
to 3.7kW	1.00	1.05	1.20	—	—	—	—	—	—
to 5.5kW	—	1.00	1.10	1.20	—	—	—	—	—
to 7.5kW	—	—	1.00	1.15	—	—	—	—	—
to 11.0kW	—	—	1.00	1.05	1.15	—	—	—	—
to 15.0kW	—	—	—	1.00	1.10	—	—	—	—
to 18.5kW	—	—	—	1.00	1.05	1.10	—	—	—
to 22kW	—	—	—	—	1.00	1.05	1.15	—	—
to 26kW	—	—	—	—	1.00	1.00	1.10	1.20	—
to 30kW	—	—	—	—	1.00	1.00	1.05	1.15	—
to 37kW	—	—	—	—	—	1.00	1.05	1.10	1.10
to 45kW	—	—	—	—	—	—	1.00	1.05	1.05
to 55kW	—	—	—	—	—	—	1.00	1.00	1.00
to 75kW	—	—	—	—	—	—	—	1.00	1.00

POINT

- [1] When the spindle motor applies to the wide range constant output specification or the high-torque specification, the spindle rated output may become large.
- [2] The spindle rated output is calculated from the motor output coefficient of the spindle drive unit used in combination with the spindle motor.

(2) Calculation of spindle maximum momentary output

The spindle maximum momentary output is calculated from the following expression.

Spindle maximum momentary output
 =MAX (short-time rated output × 1.2, output at acceleration/deceleration × 1.2,%ED rated output×1.2)

(Note) For the spindle rated output, use the largest one among "short-time rated output × 1.2" ,"output at acceleration/ deceleration × 1.2" and "%ED rated output×1.2".

■Calculation of Servo Motor Output

(1) Selection with rated output

(2) Selection with maximum momentary output

For the rated output and maximum momentary output of the servo motor, use the value corresponding to the servo motor in the following table.

Data for servo motor output selection

< 200V series >

Motor HG	46	56	96
Rated output (kW)	0.2	0.4	0.75
Maximum momentary output (kW)	0.85	1.7	3.2

Motor HG	75	105	54	104	154	154 (V3-40)	224	204	354
Rated output (kW)	0.75	1.0	0.5	1.0	1.5	1.5	2.2	2.0	3.5
Maximum momentary output (kW)	2.2	3.5	2.3	5.0	9.0	5.4	12.3	8.0	18.0

Motor HG	123	223	303	453	603	702	703	903	1103	142	302
Rated output (kW)	1.2	2.2	3.0	4.5	6.0	7.0	7.0	9.0	11.0	1.4	3.0
Maximum momentary output (kW)	3.2	6.3	12.0	22.0	26.9	21.2	27.0	41.0	50.0	3.2	6.3

Motor HK	76	105	55	104	123	142	154	HK154 (V3-40)	HK154 (V3-80)
Rated output (kW)	0.75	1.0	0.5	1.0	1.2	1.4	1.5	1.5	1.5
Maximum momentary output (kW)	3.3	3.6	2.9	5.9	3.6	3.3	9.4	7.2	9.4

Motor HK	223	224	224 (V1/V2-160)
Rated output (kW)	2.2	2.2	2.2
Maximum momentary output (kW)	6.8	12.8	13.0

Motor HK	204	302	303	354	453	603	702	703
Rated output (kW)	2.0	3.0	3.0	3.5	4.5	6.0	7.0	7.0
Maximum momentary output (kW)	10.0	7.3	13.5	18.4	26.4	27.7	22.8	27.7

< 400V series >

Motor HG-H	75	105	54	104	154	224	204	354	453	703	903	1502
Rated output (kW)	0.75	1.0	0.5	1.0	1.5	2.2	2.0	3.5	4.5	7.0	9.0	15.0
Maximum momentary output (kW)	2.2	3.5	2.3	5.0	9.0	13.1	8.0	18.0	22.0	27.0	41.0	59.0

Motor HQ-H	903	1103
Rated output (kW)	9.0	11.0
Maximum momentary output (kW)	31.0	47.0

Motor HK-H	76	105	55	104	123	154	223	224	224 (V1/V2-80)
Rated output (kW)	0.75	1.0	0.5	1.0	1.2	1.5	2.2	2.2	2.2
Maximum momentary output (kW)	3.3	3.6	2.9	5.9	3.6	9.4	6.8	12.8	13.0

Motor HK-H	204	302	303	354	453	603	702	703
Rated output (kW)	2.0	3.0	3.0	3.5	4.5	6.0	7.0	7.0
Maximum momentary output (kW)	10.0	10.9	13.5	18.4	26.4	27.7	22.8	27.7

(Note) The maximum momentary output in this table is reference data for selecting the power supply unit and is not data which guarantees the maximum output.

■ Selection of the Power Supply Unit

Select the power supply unit from the total sum of the rate output and the maximum momentary output.

(1) Calculation of required rated output

$$\text{Power supply unit rated capacity} > \Sigma (\text{Spindle rated output}) + 0.3 \Sigma (\text{Servo motor rated output})$$

Substitute the output calculated from (1) of "Calculation of spindle output" and (1) of "Calculation of servo motor output" to the above expression, and calculate the total sum of the spindle rated output and servo motor rated output. According to this, select the power supply unit satisfying the rated capacity from the following table.

(2) Calculation of required maximum momentary output

$$\text{Maximum momentary rated capacity of power supply unit} \geq \Sigma (\text{Spindle maximum momentary output}) + \Sigma (\text{Maximum momentary output of servomotor accelerating/ decelerating simultaneously}) + \text{Maximum momentary output of direct drive motor accelerating/ decelerating simultaneously}$$

Substitute the output calculated from (2) of "Calculation of spindle output" and (2) of "Calculation of servo motor output" to the above expression, and calculate the total sum of the "spindle maximum momentary output" and "output of servo motor accelerating/decelerating simultaneously". According to this, select the power supply unit satisfying the maximum momentary rated capacity from the following table.

(3) Selection of power supply unit

Select the power supply unit of which the capacity is larger than that selected in the item (1) and (2).

Power supply unit rated capacity and maximum momentary rated capacity

< MDS-E Series >

Unit	MDS-E-CV-	37	75	110	185	300	370	450	550
Rated capacity (kW)		4.2	8	11.5	19	31	38	46	56
Maximum momentary rated capacity (kW)		16	23	39	60	92	101	125	175

< MDS-EH Series >

Unit	MDS-EH-CV-	37	75	110	185	300	370	450	550	750
Rated capacity (kW)		4.2	8	11.5	19	31	38	46	56	76
Maximum momentary rated capacity (kW)		16	23	39	60	92	101	125	175	180

< MDS-EX-CVP Series >

Unit	MDS-EX-CVP-	1100H
Rated capacity (kW)		90
Maximum momentary rated capacity (kW)		220

- When reducing the time constant replacing the conventional motor with the HG or HG-H Series motor, the power supply capacity may rise because the motor maximum momentary output increases more than the conventional motor. Therefore, make sure to check the selection with maximum momentary rated capacity.
- When the large capacity drive unit (MDS-E-SP-400/640, MDS-EH-SP-200/320/480/600, MDS-EH-V1-200) is connected to the power supply unit, always install the drive unit proximally in the left side of the power supply unit and connect PN terminal with the dedicated DC connection bar.
- When using two large capacity drive units or more, the power supply unit is required for each drive unit.
- For details of selection of MDS-EX-CVP Series, refer to "MDS-EX-CVP Series Specifications and Instruction Manual"(IB-1501587(ENG)).



■ Required Capacity of Power Supply

For the power supply capacity, calculate the required spindle rated output and servo motor rated output each, and select the power supply capacity satisfying them.

(1) Spindle rate output required for power supply

The spindle rate output required for power supply is calculated from the following expression.

$$\text{Spindle rate output required for power supply} = \text{MAX (Spindle motor continuous rated output, Spindle motor output at accelerating/decelerating, Spindle motor short-time output)} \times \text{motor output coefficient } \gamma \text{ of combined spindle drive unit}$$

(Note) For the spindle rate output required for the power supply, multiply the largest one of "spindle motor continuous rate output", "spindle motor output at acceleration/deceleration" and "spindle motor short-time output" by the motor output coefficient γ of the combined spindle drive unit. For the motor output coefficient of the combined spindle drive unit, use the value corresponding to the used spindle drive unit in "Motor output coefficient list of combined spindle drive unit" on (1)-(b) of "Calculation of spindle output"

(2) Servo motor rate output required for power supply

For the servo motor rate output required for power supply, use the value calculated in (1) of "Calculation of servo motor output"

(3) Calculation of rate output required for power supply

$$\text{Rated capacity required for power supply} = \Sigma (\text{Spindle rate output required for power supply}) + 0.3 \Sigma (\text{servo motor rate output required for power supply})$$

Substitute the output calculated from the item (1) and (2) to the above expression, and calculate the rated capacity required for the power supply.

(4) Calculation of required power supply

$$\text{Power supply capacity (kVA)} = \Sigma \{(\text{Required rated capacity calculated in the item (3) (kW)} / \text{Capacity of selected power supply unit (kW)}) \times \text{Power supply capacity base value (kVA)}\}$$

The power supply capacity base value corresponding to the capacity of the selected power supply unit is as the following table.

< MDS-E Series >

Unit	MDS-E-CV-	37	75	110	185	300	370	450	550
Power supply capacity base value (kVA)		5.3	11.0	16.0	27.0	43.0	53.0	64.0	78.0

< MDS-EH Series >

Unit	MDS-EH-CV-	37	75	110	185	300	370	450	550	750
Power supply capacity base value (kVA)		5.3	11.0	16.0	27.0	43.0	53.0	64.0	78.0	107.0

< MDS-EX-CVP Series >

Unit	MDS-EX-CVP-	1100H
Power supply capacity base value (kVA)		130

■ Example for Power Supply Unit and Power Supply Facility Capacity

< MDS-E Series >

(Example 1)

Axis name	Motor	Drive unit	Rated output	Maximum momentary output
X-axis	HG354	(MDS-E-V2-160)	3.5kW	18kW
Y-axis	HG354	(MDS-E-V2-160)	3.5kW	18kW
Z-axis	HG354	(MDS-E-V1-160)	3.5kW	18kW
Spindle	Spindle motor 22kW	MDS-E-SP-320 (Output coefficient 1.0)	22kW	26.4kW
Total			0.3×(3.5×3) +22 =25.15kW <31kW (E-CV-300)	(18×3) +26.4 =80.4kW <92kW (E-CV-300)

The power supply unit satisfying the total of the rate output and the maximum momentary output is MDS-E-CV-300.
Required power supply capacity (kVA) = (25.15 / 30) × 43 = 36.0 (kVA)

(Example 2)

Axis name	Motor	Drive unit	Rated output	Maximum momentary output
X1-axis	HG453	(MDS-E-V2-160)	4.5kW	22kW
X2-axis	HG453	(MDS-E-V2-160)	4.5kW	22kW
Y-axis	HG354	(MDS-E-V2-160)	3.5kW	18kW
Z-axis	HG354	(MDS-E-V2-160)	3.5kW	18kW
Spindle	Spindle motor 15kW	MDS-E-SP-200 (Output coefficient 1.0)	15kW	18kW
Total			0.3×(4.5×2+3.5×2) +15 =19.8kW <31kW (E-CV-300)	22×2+18×2+18 =98.0kW <101kW (E-CV-370)

The power supply unit satisfying the total of the rate output and the maximum momentary output is MDS-E-CV-370.
Required power supply capacity (kVA) = (19.8 / 37) × 53 = 28.4 (kVA)

(Example 3)

Axis name	Motor	Drive unit	Rated output	Maximum momentary output
X-axis	HG354	MDS-E-V1-160	3.5kW	18kW
Y-axis	HG204	MDS-E-V2-80	2.0kW	8kW
Z-axis	HG204	MDS-E-V2-80	2.0kW	8kW
Spindle	Spindle motor 15kW (High-torque motor)	MDS-E-SP-320 (Output coefficient 1.1)	16.5kW	18kW
Total			0.3×(3.5+2.0×2) +16.5 =18.75kW <19kW (E-CV-185)	18+8×2+18 =52kW <60kW (E-CV-185)

The power supply unit satisfying the total of the rate output and the maximum momentary output is MDS-E-CV-185.
Required power supply capacity (kVA) = (18.75 / 18.5) × 27 = 27.4 (kVA)

< MDS-EH Series >

(Example 1)

Axis name	Motor	Drive unit	Rated output	Maximum momentary output
X-axis	HG-H354	(MDS-EH-V2-80)	3.5kW	18kW
Y-axis	HG-H354	(MDS-EH-V2-80)	3.5kW	18kW
Z-axis	HG-H354	(MDS-EH-V1-80)	3.5kW	18kW
Spindle	Spindle motor 22kW	MDS-EH-SP-160 (Output 22kW)	22kW	26.4kW
Total			0.3×(3.5×3) +22 =25.15kW <31kW (EH-CV-300)	(18×3) +26.4 =80.4kW <92kW (EH-CV-300)

The power supply unit satisfying the total of the rate output and the maximum momentary output is MDS-EH-CV-300.
Required power supply capacity (kVA) = (25.15 / 30) × 43 = 36.0 (kVA)

(Example 2)

Axis name	Motor	Drive unit	Rated output	Maximum momentary output
X1-axis	HG-H453	(MDS-EH-V2-80)	4.5kW	22kW
X2-axis	HG-H453	(MDS-EH-V2-80)	4.5kW	22kW
Y-axis	HG-H354	(MDS-EH-V2-80)	3.5kW	18kW
Z-axis	HG-H354	(MDS-EH-V2-80)	3.5kW	18kW
Spindle	Spindle motor 15kW	MDS-EH-SP-100 (Output coefficient 1.0)	15kW	18kW
Total			0.3×(4.5×2+3.5×2) +15 =19.8kW <31kW (EH-CV-300)	22×2+18×2+18 =98.0kW <101kW (EH-CV-370)

The power supply unit satisfying the total of the rate output and the maximum momentary output is MDS-EH-CV-370.
Required power supply capacity (kVA) = (19.8 / 37) × 53 = 28.4 (kVA)

(Example 3)

Axis name	Motor	Drive unit	Rated output	Maximum momentary output
X-axis	HG-H354	MDS-EH-V1-160	3.5kW	18kW
Y-axis	HG-H204	MDS-EH-V2-80	2.0kW	8kW
Z-axis	HG-H204	MDS-EH-V2-80	2.0kW	8kW
Spindle	Spindle motor 15kW (High-torque motor)	MDS-EH-SP-320 (Output coefficient 1.1)	16.5kW	18kW
Total			0.3×(3.5+2.0×2) +16.5 =18.75kW <19kW (EH-CV-185)	18+8×2+18 =52kW <60kW (EH-CV-185)

The power supply unit satisfying the total of the rate output and the maximum momentary output is MDS-EH-CV-185.
Required power supply capacity (kVA) = (18.75 / 18.5) × 27 = 27.4 (kVA)

■ Selection of Regenerative Resistor for Power Backup Unit (R-UNIT-6,7) and Capacitor Unit for Power Backup Unit (MDS-D/DH-CU)

When using the retraction function at power failure with MDS-D/DH-PFU, select to satisfy the stop operation for the regenerative resistor and the continuous rated output of the spindle motor for the capacitor unit.

(1) Selection of regenerative resistor for power backup unit

When using the retraction function at power failure, a resistor unit is required to make the spindle deceleration and stop after the retraction is completed.



1. When not using a resistor unit, control to coast the spindle motor after the retraction operation is completed.
2. Only the designated combination can be used for the power backup unit and the regenerative resistor.

(2) Selection of capacitor unit for power backup unit

When using the retraction function at power failure, the required number of capacitor units is decided by the continuous rated output [kW] of the spindle motor. Select according to the following specifications.

List of spindle continuous rated output and number of capacitor unit

Spindle continuous rated output	Number of capacitor unit
3.7kW or less	1
5.5kW or less	2
7.5kW or less	3
11kW or less	4
15kW or less	5
22kW or less	6

SELECTION OF THE ADDITIONAL AXIS DRIVE UNIT

When selecting an additional axis drive unit to be connected to TE2 [L+,L-] (Converter voltage input terminal) of MDS-EM/EMH-SPV3, calculate the spindle motor output and servo motor output each, and select the capacity so that the total sum should not exceed the rated capacity and the maximum momentary output of MDS-EM/EMH-SPV3.

The additional axis drive unit is spindle/servo drive unit which is operated by using the built-in power supply section of MDS-EM/EMH-SPV3.

Connectable drive units are determined by the rated capacity of MDS-EM/EMH-SPV3.

The following capacities are available.

Spindle drive unit: MDS-E-SP-20/40/80/160
: MDS-EH-SP-20/40/80

Servo drive unit : MDS-E-Vx-20/40/80
: MDS-EH-Vx-10/20/40/80

MDS-EM-SPV3-16040S

Spindle drive unit: MDS-E-SP-20/40

Servo drive unit : MDS-E-Vx-20/40

MDS-EM-SPV3-320120

Spindle drive unit: MDS-E-SP-20/40/80

Servo drive unit : MDS-E-Vx-20/40/80

■Calculation of Spindle Output

The spindle rated output and spindle maximum momentary rated output are calculated.

(1) Calculation of spindle rated output

The spindle rated output is calculated according to the following procedure.

(a) Spindle motor rated output

The spindle motor rated output is calculated from the following expression.

Spindle motor rated output =
MAX (continuous rated output, short-time rated output × short-time rated output coefficient α ,
%ED rated output × %ED rated output coefficient β)

(Note 1) For the spindle motor rated output, use the maximum value of "continuous rated output", "short-time rated output × short-time rated output coefficient α ", and "%ED rated output × %ED rated output coefficient β ".

(Note 2) Select the maximum value for the spindle motor with multiple %ED rated output characteristics.

For the spindle short-time rated output coefficient α , use the value in the following table.

List of short-time rated output time and short-time rated output coefficient

Short-time rated output time	Short-time rated output coefficient α	Short-time rated output time	Short-time rated output coefficient α
1 minute	0.2	5 minutes	0.7
2 minutes	0.4	6 to 7 minutes	0.8
3 minutes	0.5	8 to 9 minutes	0.9
4 minutes	0.6	10 minutes or more	1.0

(Note 1) Select the set time for the short-time rated output of your spindle motor from the list.
E.g.) When the set time for the short-time rated output is "1/12h", it means "5 minutes".

(Note 2) For the motor with coil changeover specification, select the set time for the short-time rated output of the high-speed coil.

For the %ED rated output coefficient β , use the value in the following table.

List of %ED rated output time and %ED rated output coefficient

%ED rated output time	%ED rated output coefficient β
More than or equal to 10% but less than 20%	0.7
More than or equal to 20% but less than 30%	0.9
More than or equal to 30%	1.0

(b) Spindle rated output

The spindle rated output is calculated from the following expression.

Spindle rated output=
(Spindle motor rated output × motor output coefficient γ of the multi-hybrid drive unit) +
(Spindle motor rated output × motor output coefficient γ of the additional axis (spindle) drive unit)

For the spindle motor rated output of the above expression, use the value calculated in (a).

For the motor output coefficient of the combined spindle drive unit, use the value corresponding to the used spindle drive unit in the following table.

Motor output coefficient list of multi-hybrid drive unit

< MDS-EM Series >

Spindle motor rated output	Multi-hybrid drive unit MDS-EM-SPV3-			
	10040/10080	16040/16040S/16080	20080/200120	320120
to 1.5kW	1.30	-	-	-
to 2.2kW	1.20	1.30	-	-
to 3.7kW	1.10	1.20	-	-
to 5.5kW	1.10	1.10	1.20	-
to 7.5kW	1.10	1.00	1.15	-
to 11.0kW	-	1.00	1.05	1.15
to 15.0kW	-	-	1.00	1.10
to 18.5kW	-	-	1.00	1.05
to 22.0kW	-	-	-	1.00
to 26.0kW	-	-	-	1.00
to 30.0kW	-	-	-	1.00

< MDS-EMH Series >

Spindle motor rated output	Multi-hybrid drive unit MDS-EMH-SPV3-	
	8040	10040/10060
to 2.2kW	1.30	-
to 3.7kW	1.20	-
to 5.5kW	1.10	1.20
to 7.5kW	1.00	1.15
to 11.0kW	1.00	1.05
to 15.0kW	-	1.00
to 18.5kW	-	1.00

Motor output coefficient list of additional axis (spindle) drive unit

< MDS-E Series >

Spindle motor rated output	Additional axis (spindle) drive unit MDS-E-SP-			
	20	40	80	160
to 1.5kW	1.00	1.15	1.25	-
to 2.2kW	-	1.00	1.15	1.30
to 3.7kW	-	1.00	1.05	1.20
to 5.5kW	-	-	1.00	1.10
to 7.5kW	-	-	-	1.00

< MDS-EH Series >

Spindle motor rated output	Additional axis (spindle) drive unit MDS-EH-SP-		
	20	40	80
to 1.5kW	1.00	1.15	1.25
to 2.2kW	-	1.00	1.15
to 3.7kW	-	1.00	1.05
to 5.5kW	-	-	1.00
to 7.5kW	-	-	1.00

POINT

[1] When the spindle motor applies to the wide range constant output specification or the high-torque specification, the spindle rated output may become large.

[2] The spindle rated output is calculated from the motor output coefficient of the spindle drive unit used in combination with the spindle motor.

(2) Calculation of spindle maximum momentary output

The spindle maximum momentary output is calculated from the following expression.

Spindle maximum momentary output
=MAX (short-time rated output × 1.2, output at acceleration/deceleration × 1.2, %ED rated output×1.2)

(Note) For the spindle rated output, use the largest one among "short-time rated output × 1.2", "output at acceleration/ deceleration × 1.2" and "%ED rated output×1.2".

■ Calculation of Servo Motor Output

(1) Selection with rated output

(2) Selection with maximum momentary output

For the rated output and maximum momentary output of the servo motor, use the value corresponding to the servo motor in the following table.

Data for servo motor output selection

< 200V series >

Motor HG	46	56	96						
Rated output (kW)	0.2	0.4	0.75						
Maximum momentary output (kW)	0.85	1.7	3.2						
Motor HG	75	105	54	104	154	224	204	354	
Rated output (kW)	0.75	1.0	0.5	1.0	1.5	2.2	2.0	3.5	
Maximum momentary output (kW)	2.2	3.5	2.3	5.0	9.0	12.3	8.0	15.0	
Motor HG	123	223	303	453	702	142	302		
Rated output (kW)	1.2	2.2	3.0	4.5	7.0	1.4	3.0		
Maximum momentary output (kW)	3.2	6.3	12.0	16.5	21.2	3.2	6.3		
Motor HK	76	105	55	104	123	142	154	223	224
Rated output (kW)	0.75	1.0	0.5	1.0	1.2	1.4	1.5	2.2	2.2
Maximum momentary output (kW)	3.3	3.6	2.9	5.9	3.6	3.3	9.4	6.8	12.8
Motor HK	204	302	303	354	453	702			
Rated output (kW)	2.0	3.0	3.0	3.5	4.5	7.0			
Maximum momentary output (kW)	10.0	7.3	13.5	18.1	20.8	18.9			

< 400V series >

Motor HG-H	75	105	54	104	154	224	204	354	453
Rated output (kW)	0.75	1.0	0.5	1.0	1.5	2.2	2.0	3.5	4.5
Maximum momentary output (kW)	2.2	3.5	2.3	5.0	9.0	13.1	8.0	18.0	22.0
Motor HK-H	55	104	154						
Rated output (kW)	0.5	1.0	1.5						
Maximum momentary output (kW)	2.9	5.9	9.4						
Motor HK-H	204	354	453						
Rated output (kW)	2.0	3.5	4.5						
Maximum momentary output (kW)	10.0	18.4	26.4						

(Note) The maximum momentary output in this table is reference data for selecting the additional axis drive unit connecting to MDS-EM/EMH-SPV3 and is not data which guarantees the maximum output.

■ Selection of the Additional Axis Drive Unit

Select the additional axis drive unit so that the total sum of the rated output and the maximum momentary output of spindle motor / servo motor is less than the rated capacity and maximum momentary rated capacity of MDS-EM/EMH-SPV3.

(1) Calculation of required rated output

$$\text{MDS-EM/EMH-SPV3 rated capacity} > \Sigma (\text{Spindle rated output}) + 0.3 \Sigma (\text{Servo motor rated output})$$

(Note) Calculate the spindle and servo motor rated output including not only the motor connected to the additional axis drive unit but also those connected to MDS-EM/EMH-SPV3.

Substitute the output calculated from (1) of "Calculation of spindle output" and (1) of "Calculation of servo motor output" to the above expression, and calculate the total sum of the spindle rated output and servo motor rated output. According to this, select the unit so that the rated capacity of MDS-EM/EMH-SPV3 is less than the values in the following table.

(2) Calculation of required maximum momentary output

$$\text{Maximum momentary rated capacity of MDS-EM/EMH-SPV3} \geq \Sigma (\text{Spindle maximum momentary output}) + \Sigma (\text{Maximum momentary output of servo motor accelerating/ decelerating simultaneously})$$

(Note) Calculate the spindle and servo motor maximum momentary output including not only the motor connected to the additional axis drive unit but also those connected to MDS-EM/EMH-SPV3.

Substitute the output calculated from (2) of "Calculation of spindle output" and (2) of "Calculation of servo motor output" to the above expression, and calculate the total sum of the "spindle maximum momentary output" and "output of servo motor accelerating/decelerating simultaneously". According to this, select the unit so that the maximum momentary rated capacity of MDS-EM/EMH-SPV3 is less than the values in the following table.

Power supply unit rated capacity and maximum momentary rated capacity

< MDS-EM Series >

Unit	MDS-EM-SPV3-	16040S	10040/10080/16040/16080/20080/200120	320120
Rated capacity (kW)		15	20	37
Maximum momentary rated capacity (kW)		42	70	101

< MDS-EMH Series >

Unit	MDS-EMH-SPV3-	8040/10040/10060
Rated capacity (kW)		22
Maximum momentary rated capacity (kW)		76



When reducing the time constant replacing the conventional motor with the HG or HG-H Series motor, the motor maximum momentary output may increase more than the conventional motor. Therefore, make sure to check the selection with maximum momentary rated capacity.

Required Capacity of Power Supply

For the power supply capacity, calculate the required spindle rated output and servo motor rated output each, and select the power supply capacity satisfying them.

(1) Spindle rated output required for power supply

The spindle rated output required for power supply is calculated from the following expression.

$$\text{Spindle rated output required for power supply} = \text{MAX (Spindle motor continuous rated output, Spindle motor output at accelerating/decelerating, Spindle motor short-time output)} \times \text{motor output coefficient } \gamma \text{ of combined spindle drive unit}$$

(Note) For the spindle rated output required for the power supply, multiply the largest one of "spindle motor continuous rated output", "spindle motor output at acceleration/deceleration" and "spindle motor short-time output" by the motor output coefficient γ of the combined spindle drive unit.

For the motor output coefficient of the combined spindle drive unit, use the value corresponding to the used spindle drive unit "Motor output coefficient list of additional axis (spindle) drive unit" on (1)-(b) of "Calculation of spindle output"

(2) Servo motor rated output required for power supply

For the servo motor rated output required for power supply, use the value calculated in (1) of "Calculation of servo motor output"

(3) Calculation of rated output required for power supply

$$\text{Rated capacity required for power supply} = \Sigma (\text{Spindle rated output required for power supply}) + 0.3 \Sigma (\text{servo motor rated output required for power supply})$$

Substitute the output calculated from the item (1) and (2) to the above expression, and calculate the rated capacity required for the power supply.

(4) Calculation of required power supply

$$\text{Power supply capacity (kVA)} = \{(\text{Required rated capacity calculated in the item (3)})(\text{kW}) / \text{Rated capacity of MDS-EM/EMH-SPV3}\} \times \text{Power supply capacity base value of MDS-EM/EMH-SPV3}$$

The power supply capacity base value of MDS-EM/EMH-SPV3 is as the following table.

< MDS-EM Series >

Unit	MDS-EM-SPV3-	16040S	10040/10080/16040/ 16080/20080/200120	320120
Power supply capacity base value (kVA)		21	29	54

< MDS-EMH Series >

Unit	MDS-EMH-SPV3-	8040/10040/10060
Power supply capacity base value (kVA)		32

Example for Additional Axis Drive Unit and Power Supply Facility Capacity

< MDS-EM Series >

(Example 1)

Axis name	Motor	Drive unit	Rated output	Maximum momentary output
X-axis	HG204	MDS-EM-SPV3-200120	2.0kW	8.0kW
Y-axis	HG204		2.0kW	8.0kW
Z-axis	HG354		3.5kW	15kW
MG-axis	HG104	MDS-E-V1-40 (Additional axis)	1.0kW	5.0kW
Spindle	Spindle motor 15kW	MDS-EM-SPV3-200120	15kW	18kW
Total			0.3 × (2.0+2.0+3.5+1.0) + 15 = 17.55kW < 20kW (EM-SPV3)	(8.0+8.0+15+5.0) + 18 = 54kW < 70kW (EM-SPV3)

Required power supply capacity (kVA) = (17.55/20) × 29 = 25.5 (kVA)

(Example 2)

Axis name	Motor	Drive unit	Rated output	Maximum momentary output
X-axis	HG104	MDS-EM-SPV3-10040	1.0kW	5.0kW
Y-axis	HG104		1.0kW	5.0kW
Z-axis	HG104		1.0kW	5.0kW
A-axis	HG75	MDS-E-V3-20 (Additional axis)	0.75kW	2.2kW
B-axis	HG75		0.75kW	2.2kW
C-axis	HG75		0.75kW	2.2kW
Spindle (1)	Spindle motor 7.5kW	MDS-EM-SPV3-10040	7.5kW	9.0kW
Spindle (2)	Spindle motor 3.7kW	MDS-E-SP-80 (Additional axis)	3.7kW	4.44kW
Spindle (3)	Spindle motor 3.7kW		3.7kW	4.44kW
Total			0.3 × (1.0×3+0.75×3) + (7.5+3.7+3.7) = 16.5kW < 20kW (EM-SPV3)	(5.0×3+2.2×3) + (9.0+4.44+4.44) = 39.5kW < 70kW (EM-SPV3)

Required power supply capacity (kVA) = (16.5/20) × 29 = 24.0 (kVA)

< MDS-EMH Series >

(Example 1)

Axis name	Motor	Drive unit	Rated output	Maximum momentary output
X-axis	HG-H204	MDS-EMH-SPV3-10060	2.0kW	8.0kW
Y-axis	HG-H204		2.0kW	8.0kW
Z-axis	HG-H354		3.5kW	15kW
MG-axis	HG-H104	MDS-EH-V1-20 (Additional axis)	1.0kW	5.0kW
Spindle	Spindle motor 15kW	MDS-EMH-SPV3-10060	15kW	18kW
Total			0.3 × (2.0+2.0+3.5+1.0) + 15 = 17.55kW < 22kW (EMH-SPV3)	(8.0+8.0+15+5.0) + 18 = 54kW < 76kW (EMH-SPV3)

Required power supply capacity (kVA) = (17.55/22) × 32 = 25.5(kVA)

SERVO OPTIONS

Battery options are required depending on the type of machine end encoder in the full closed loop control system. Check the options to be required referring the following lists.

System establishment in the full closed loop control

Full closed loop control for linear axis

Machine side encoder to be used		Encoder signal output	Interface unit	Drive unit input signal	Battery option	Remarks
Incremental encoder	Rectangular wave signal output	SR74, SR84 (MAGNESCALE) Various scale	-	Rectangular wave signal	-	
	SIN wave signal output	LS187, LS487 (HEIDENHAIN)	IBV Series (HEIDENHAIN) EIB Series (HEIDENHAIN)	Rectangular wave signal	-	
		LS187C, LS487C (HEIDENHAIN) Various scale	EIB Series (HEIDENHAIN) MDS-EX-HR-11 (Mitsubishi Electric)	Mitsubishi serial signal	(Required) (Note 1)	Distance-coded reference scale (Note 2) Distance-coded reference scale is also available (Note 2) (Note 4)
	Mitsubishi serial signal output	SR75, SR85 (MAGNESCALE)	-	Mitsubishi serial signal	-	
Absolute position encoder	Mitsubishi serial signal output	OSA405ET2AS, OSA676ET2AS (MITSUBISHI ELECTRIC)	-	Mitsubishi serial signal	Required	Ball screw side encoder
		SR27, SR77, SR87, SR67A (MAGNESCALE)	-	Mitsubishi serial signal	Not required	
		LIC2197M, LIC2199M (HEIDENHAIN)	-	Mitsubishi serial signal	Not required	Mitsu03-4
		MC15M (HEIDENHAIN)	-	Mitsubishi serial signal	Not required	Mitsu03-4
		LC195M, LC495M, LC291M (HEIDENHAIN)	-	Mitsubishi serial signal	Not required	Mitsu03-4
		AT343, AT543, AT545, ST748, AT1143 (Mitutoyo)	-	Mitsubishi serial signal	Not required	
		SAM Series, SVAM Series, GAM Series, LAM Series, G3BM Series (FAGOR)	-	Mitsubishi serial signal	Not required	
		RL40N Series (Renishaw)	-	Mitsubishi serial signal	Not required	
		AMS-ABS-3B Series (Schneeberger)	-	Mitsubishi serial signal	Not required	
		LMFA Series, LMBA Series (AMO)	-	Mitsubishi serial signal	Not required	

Full closed loop control for rotary axis

Machine side encoder to be used		Encoder signal output	Interface unit	Output signal	Battery option	Remarks
Incremental encoder	Rectangular wave signal output	Various scale	-	Rectangular wave signal	-	
	SIN wave signal output	ERM280 Series (HEIDENHAIN)	EIB Series (HEIDENHAIN)	Mitsubishi serial signal	-	
		Various scale	MDS-EX-HR-11 (Mitsubishi Electric)	Mitsubishi serial signal	(Required) (Note 1)	Distance-coded reference scale is also available (Note 2)
Mitsubishi serial signal output	MHS-04B Series (GUBOA)	-	Mitsubishi serial signal	Not required		
Absolute position encoder	Mitsubishi serial signal output	RU77, RS87 (MAGNESCALE)	-	Mitsubishi serial signal	Not required	
		RCN2590M, RCN5390M, RCN5590M, RCN8390M (HEIDENHAIN)	-	Mitsubishi serial signal	Not required	Mitsu03-4
		ROC425M, ROC2390M ECA4000 Series (HEIDENHAIN)	-	Mitsubishi serial signal	Not required	Mitsu03-4
		RA Series (Renishaw)	-	Mitsubishi serial signal	Not required	
		HAM Series, H2AM Series (FAGOR)	-	Mitsubishi serial signal	Not required	
		WMFA Series, WMBA Series, WMRA Series (AMO)	-	Mitsubishi serial signal	Not required	
SIN wave signal output	MPRZ Series (NIDEC MACHINE TOOL)	ADB-K70M (NIDEC MACHINE TOOL)	Mitsubishi serial signal	Not required		

(Note 1) When using the distance-coded reference scale, it is recommended to use with distance-coded reference check function. In this case, the battery option may be required.
 (Note 2) Use the option of M800V Series for the distance-coded reference scale. It cannot be used with the speed command synchronous control.
 (Note 3) Connectable scales besides these are also marketed. Contact each scale manufacturer for details. For the specifications of the scale, including the scales shown in this manual, refer to the manuals issued by the manufacturer.
 (Note 4) Calculate the available scale length when using the distance-coded reference scale from the following expression.
 Available scale length [m] = $(2^{31}-1)/\text{interpolation division number} (16384) \times \text{auxiliary reference mark interval} [\mu\text{m}] (SV131)/1000000$
 (Example) When the auxiliary reference mark interval is 4 μm
 Available scale length = $(2^{31}-1)/16384 \times 4/1000000 = 0.524$ [m]
 According to this expression, the available scale length is 52 cm or less.
 When compared to the previous model MDS-B-HR, the available scale length is 1/32 times when using MDS-EX-HR.

System establishment in the synchronous control

Position command synchronous control

The synchronous control is all executed in the NC, and the each servo is controlled as an independent axis. Therefore, preparing special options for the synchronous control is not required on the servo side.

Speed command synchronization control

The common position control in two axes is performed by one linear scale. Basically, the multi axis integrated type drive unit (MDS-E/EH-V2/V3) is used, and the feedback signal is divided for two axes inside the drive unit. When the two 1-axis type drive units are used in driving the large capacity servo motor, the linear scale feedback signal must be divided outside.

<Required option in the speed command synchronous control>

Machine side encoder to be used	For MDS-E/EH-V2/V3	For MDS-E/EH-V1x2 units	Remarks
SIN wave signal output scale	MDS-EX-HR-11 (Serial conversion)	Not possible	
Mitsubishi serial signal output scale	Direct connection	MDS-B-SD (Signal division)	Including the case that an interface unit of the scale manufacturer is used with SIN wave output scale.

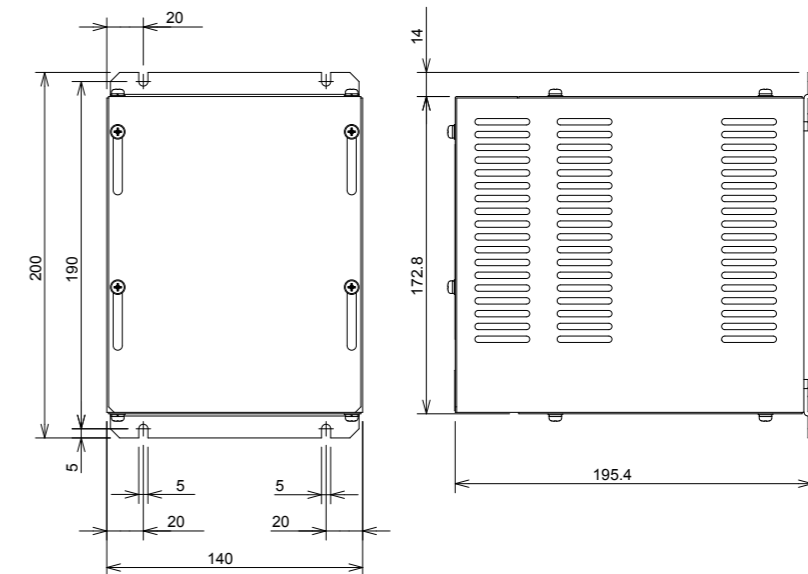
(Note) The distance-coded reference scale speed command synchronous control and the rectangular wave signal output scale speed command synchronous control are not available.

Dynamic brake unit (MDS-D-DBU)

Specifications

Type	MDS-D-DBU
Coil specifications	DC24V 160mA
Wire size	5.5mm ² or more (For IV wire)
Compatible drive unit	MDS-E-V1-320W, MDS-EH-V1-160W or larger
Mass	3kg

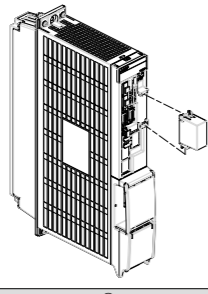
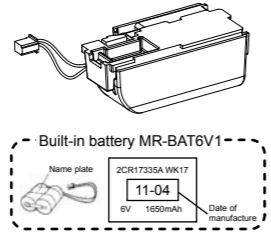
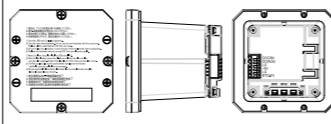
Outline dimension drawing MDS-D-DBU



[Unit : mm]

■Battery option

This battery option may be required to establish absolute position system. Select a battery option from the table below depending on the servo system.

Type	MDS-BAT6V1SET	MR-BAT6V1SET	MDSBTBOX-LR2060
Installation type	Drive unit installation	Drive unit installation	Control panel installation
Hazard Class	Not applicable	Not applicable	Not applicable
Number of connectable axes	Up to 3 axes	Up to 3 axes	Up to 8 axes
Change method	Battery option change	Battery option change	Battery change
Appearance			
Compatible model	E/EH EM/EMH EJ/EJH	- ○ ○	○ ○ ○

■Cell battery (MDS-BAT6V1SET)

Specifications

Battery option type	Cell battery
Battery model name	MDS-BAT6V1SET
Nominal voltage	2CR17335A 6V
Number of connectable axes (Note 1)	Up to 3 axes
Battery continuous backup time	Up to 2 axes: Approx. 10,000 hours 3 axes connected: Approx. 6,600 hours
Back up time from battery warning to alarm occurrence (Note 2)	Up to 2 axes: Approx. 100 hours 3 axes connected: Approx. 60 hours
Compatible model	E/EH EM/EMH EJ/EJH

(Note 1) When using ball screw side encoder, both ball screw side encoder and motor side encoder need to be backed up by a battery, so the load becomes double.
 (Note 2) This time is a guideline, so does not guarantee the back up time. Replace the battery with a new battery as soon as a battery warning occurs.
 (Note 3) A battery load is generated in the axis for which the incremental control is set when a battery is connected.

■Cell battery (MR-BAT6V1SET)

Specifications

Battery option type	Cell battery
Battery model name	MR-BAT6V1SET
Nominal voltage	2CR17335A 6V
Number of connectable axes (Note 1)	Up to 3 axes
Battery continuous backup time	Up to 2 axes: Approx. 10,000 hours 3 axes connected: Approx. 6,600 hours
Back up time from battery warning to alarm occurrence (Note 2)	Up to 2 axes: Approx. 100 hours 3 axes connected: Approx. 60 hours
Compatible model	E/EH EM/EMH EJ/EJH

(Note 1) When using ball screw side encoder, both ball screw side encoder and motor side encoder need to be backed up by a battery, so load becomes double.
 (Note 2) This time is a guideline, so does not guarantee the back up time. Replace the battery with a new battery as soon as a battery alarm occurs.
 (Note 3) A battery load is generated in the axis for which the incremental control is set when a battery is connected.

■Battery box (MDSBTBOX-LR2060)

Specifications

Battery option type	Battery box
Battery model name (Note 1)	MDSBTBOX-LR2060 Size-D alkaline batteries LR20×4 pieces
Nominal voltage (Note 2)	6.0V (Unit output: BTO1/2/3) 3.6V (Unit output: BT(3.6V))
Number of connectable axes (Note 3)	8 axes
Battery continuous backup time (Note 4)	Approx. 10000 hours (when 8 axes are connected, cumulative time in non-energized state)
Back up time from battery warning to alarm occurrence (Note 4)	Approx. 336 hours (when 8 axes are connected)
Compatible model	E/EH EM/EMH EJ/EJH

(Note 1) Install commercially-available alkaline dry batteries into MDSBTBOX-LR2060. The batteries should be procured by customers. Make sure to use new batteries that have not passed the expiration date. We recommend you to replace the batteries in the one-year cycle.
 (Note 2) 3.6V output is for old-type drive unit. It is not used for MDS-E/EH, EM/EMH, and EJ/EJH Series.
 (Note 3) When using ball screw side encoder, both ball screw side encoder and motor side encoder need to be backed up by a battery, so the load becomes double.
 (Note 4) This time is a guideline, so does not guarantee the back up time. Replace the battery with a new battery as soon as a battery warning (9F) occurs.
 (Note 5) A battery load is generated in the axis for which the incremental control is set when a battery is connected.

■Ball screw side encoder OSA405ET2AS, OSA676ET2AS

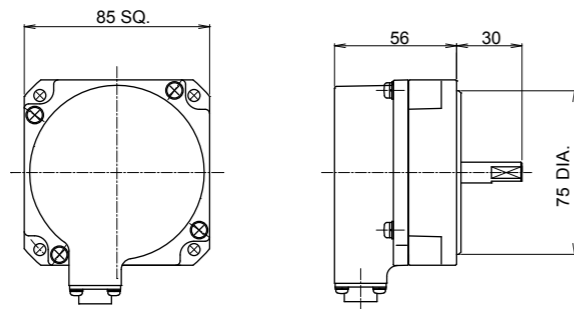
Specifications

Type	OSA405ET2AS	OSA676ET2AS
Encoder resolution	4,194,304pulse/rev	67,108,864pulse/rev
Detection method	Absolute position method (battery backup method)	
Accuracy (*1)	±3 seconds	
Tolerable rotation speed at power off (*2)	500r/min	
Encoder output data	Serial data	
Power consumption	0.3A	
Inertia	0.5×10 ⁻⁴ kgm ² or less	
Shaft friction torque	0.1Nm or less	
Shaft angle acceleration	4×10 ⁴ rad/s ² or less	
Tolerable continuous rotation speed	4000r/min	
Shaft amplitude (position 15mm from end)	0.02mm or less	
Tolerable load (thrust direction/radial direction)	9.8N/19.6N	
Mass	0.6kg	
Degree of protection	IP67 (The shaft-through portion is excluded.)	
Recommended coupling	Bellows coupling	
Compatible model	E/EH ○	○
	EM/EMH ○	-
	EJ/EJH ○	-

(*1) The values above are typical values after the calibration with our shipping test device and are not guaranteed.
 (*2) If the tolerable rotation speed at power off is exceeded, the absolute position cannot be repaired.

Outline dimension drawing

OSA405ET2AS/OSA676ET2AS



[Unit : mm]

SPINDLE OPTIONS

According to the spindle control to be adopted, select the spindle side encoder based on the following table.

No-variable speed control (When spindle and motor are directly coupled or coupled with a 1:1 gear ratio)

●: Control possible x: Control not possible

Spindle control item	Control specifications	Without spindle side encoder	With spindle side encoder
Spindle control	Normal cutting control	●	This normally is not used for novariable speed control.
	Constant surface speed control (lathe)	●	
	Thread cutting (lathe)	●	
Orientation control	1-point orientation control	●	
	Multi-point orientation control	●	
	Orientation indexing	●	
Synchronous tap control	Standard synchronous tap	●	
	Synchronous tap after zero point return	●	
Spindle synchronous control	Without phase alignment function	●	
	With phase alignment function	●	
C-axis control	C-axis control	● (Note)	●

(Note) When spindle and motor are coupled with a 1:1 gear ratio, use of a spindle side encoder is recommended to assure the precision.

Variable speed control (When using V-belt, or when spindle and motor are connected with a gear ratio other than 1:1)

●: Control possible x: Control not possible

Spindle control item	Control specifications	Without spindle side encoder	With spindle side encoder		
			TS5690/ERM280/ GEL2449M/ MHS-04B Series	OSE-1024	Proximity switch
Spindle control	Normal cutting control	●	●	●	●
	Constant surface speed control (lathe)	● (Note 1)	●	●	● (Note 1)
	Thread cutting (lathe)	x	●	●	x
Orientation control	1-point orientation control	x	●	●	● (Note 3)
	Multi-point orientation control	x	●	●	x
	Orientation indexing	x	●	●	x
Synchronous tap control	Standard synchronous tap	● (Note 2)	●	●	● (Note 2)
	Synchronous tap after zero point return	x	●	●	x
Spindle synchronous control	Without phase alignment function	● (Note 1)	●	●	● (Note 1)
	With phase alignment function	x	●	●	x
C-axis control	C-axis control	x	●	x	x

(Note 1) Control not possible when connected with the V-belt.

(Note 2) Control not possible when connected with other than the gears.

(Note 3) When using a proximity switch, an orientation is executed after the spindle is stopped.
 As for 2-axis spindle drive unit, setting is available only for one of the axes.

■Spindle side ABZ pulse output encoder (OSE-1024 Series)

When a spindle and motor are connected with a V-belt, or connected with a gear ratio other than 1:1, use this spindle side encoder to detect the position and speed of the spindle. Also use this encoder when orientation control and synchronous tap control, etc are executed under the above conditions.

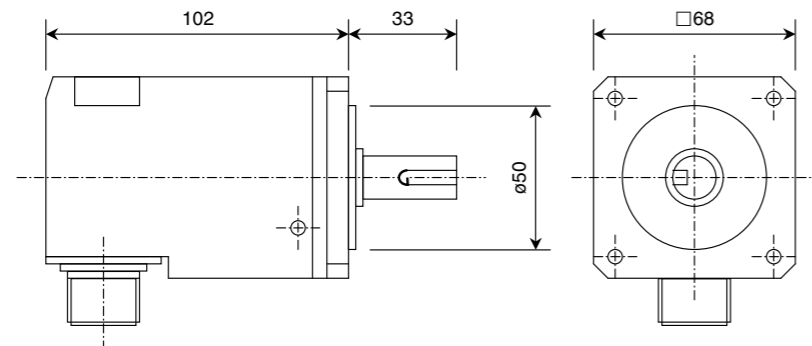
Specifications

Type		OSE-1024-3-15-68	OSE-1024-3-15-68-8
Mechanical characteristics for rotation	Inertia	0.1x10 ⁻⁴ kgm ² or less	0.1x10 ⁻⁴ kgm ² or less
	Shaft friction torque	0.98Nm or less	0.98Nm or less
	Shaft angle acceleration	10 ⁴ rad/s ² or less	10 ⁴ rad/s ² or less
	Tolerable continuous rotation speed	6000r/min	8000r/min
Mechanical configuration	Bearing maximum non-lubrication time	20000h/6000r/min	20000h/8000r/min
	Shaft amplitude (position 15mm from end)	0.02mm or less	0.02mm or less
	Tolerable load (thrust direction/radial direction)	10kg/20kg Half of value during operation	10kg/20kg Half of value during operation
	Mass	1.5kg	1.5kg
	Degree of protection	IP54	
	Squareness of flange to shaft	0.05mm or less	
	Flange matching eccentricity	0.05mm or less	
	Compatible model	E/EH EM/EMH EJ/EJH	<input type="radio"/> <input type="radio"/> <input type="radio"/>

(Note1) Confirm that the gear ratio (pulley ratio) of the spindle end to the encoder is 1:1.

(Note2) Use a timing belt when connecting by a belt.

Outline dimension drawing



Spindle side encoder (OSE-1024-3-15-68, OSE-1024-3-15-68-8)

[Unit : mm]

■Spindle side PLG serial output encoder (TS5690, MU1606 Series)

This encoder is used when a more accurate synchronous tapping control or C-axis control than OSE encoder is performed to the spindle which is not directly-connected to the spindle motor.

Specifications

Series type		TS5690N64xx										
Sensor	xx (The end of the type name)	Standard connector	12	22	32	42	52	17	27	37	47	57
		Water-proof connector	19	29	39	49	59	18	28	38	48	58
	Length of lead [mm]		400±10	800±20	1200±20	1600±30	2000±30	400±10	800±20	1200±20	1600±30	2000±30
	Lead wire lead-out direction		Vertical direction					Shaft direction				
Detection gear	Type	MU1606N601										
	The number of teeth	64										
	Outer diameter [mm]	ø52.8										
	Inner diameter [mm]	ø40H5										
Notched fitting section	Thickness [mm]	12										
	Outer diameter [mm]	ø59.4										
The number of output pulse	A/B phase	64										
	Z phase	1										
Detection resolution [p/rev]		2 million										
Absolute accuracy at stop		150°										
Tolerable speed [r/min]		40,000										
Signal output		Mitsubishi high-speed serial										
Compatible model	E/EH	<input type="radio"/>										
	EM/EMH	<input type="radio"/>										
	EJ/EJH	<input type="radio"/>										

Series type		TS5690N90xx										
Sensor	xx (The end of the type name)	Standard connector	12	22	32	42	52	17	27	37	47	57
		Water-proof connector	19	29	39	49	59	18	28	38	48	58
	Length of lead [mm]		400±10	800±20	1200±20	1600±30	2000±30	400±10	800±20	1200±20	1600±30	2000±30
	Lead wire lead-out direction		Vertical direction					Shaft direction				
Detection gear	Type	MU1606N906										
	The number of teeth	90										
	Outer diameter [mm]	ø73.6										
	Inner diameter [mm]	ø60H5										
Notched fitting section	Thickness [mm]	12										
	Outer diameter [mm]	ø79.2										
The number of output pulse	A/B phase	90										
	Z phase	1										
Detection resolution [p/rev]		2,880,000										
Absolute accuracy at stop		105°										
Tolerable speed [r/min]		30,000										
Signal output		Mitsubishi high-speed serial										
Compatible model	E/EH	<input type="radio"/>										
	EM/EMH	<input type="radio"/>										
	EJ/EJH	<input type="radio"/>										

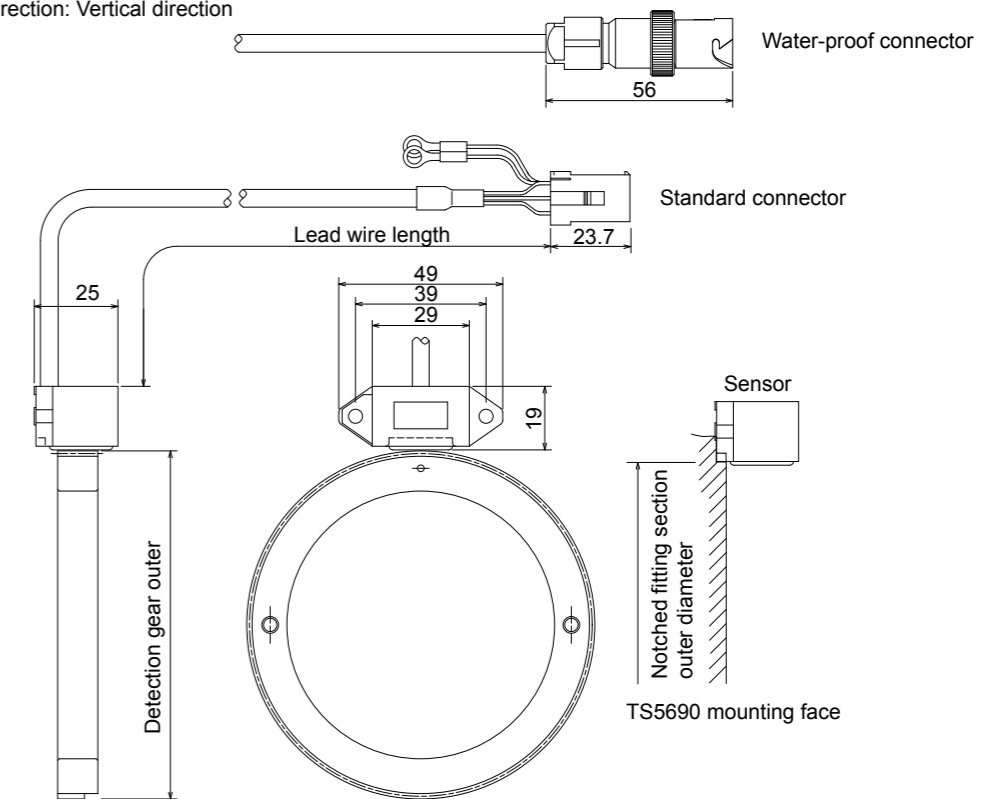
Series type		TS5690N12xx										
Sensor	xx (The end of the type name)	Standard connector	12	22	32	42	52	17	27	37	47	57
		Water-proof connector	19	29	39	49	59	18	28	38	48	58
	Length of lead [mm]		400±10	800±20	1200±20	1600±30	2000±30	400±10	800±20	1200±20	1600±30	2000±30
	Lead wire lead-out direction		Vertical direction					Shaft direction				
Detection gear	Type	MU1606N709										
	The number of teeth	128										
	Outer diameter [mm]	ø104.0										
	Inner diameter [mm]	ø80H5										
Notched fitting section	Thickness [mm]	12										
	Outer diameter [mm]	ø108.8										
The number of output pulse	A/B phase	128										
	Z phase	1										
Detection resolution [p/rev]		4 million										
Absolute accuracy at stop		100°										
Tolerable speed [r/min]		20,000										
Signal output		Mitsubishi high-speed serial										
Compatible model	E/EH	<input type="radio"/>										
	EM/EMH	<input type="radio"/>										
	EJ/EJH	<input type="radio"/>										

Sensor	Series type		TS5690N19xx									
	xx (The end of the type name)	Standard connector Water-proof connector	12	22	32	42	52	17	27	37	47	57
			19	29	39	49	59	18	28	38	48	58
	Length of lead [mm]		400±10	800±20	1200±20	1600±30	2000±30	400±10	800±20	1200±20	1600±30	2000±30
	Lead wire lead-out direction		Vertical direction					Shaft direction				
Detection gear	Type		MU1606N203									
	The number of teeth		192									
	Outer diameter [mm]		φ155.2									
	Inner diameter [mm]		φ125H5									
Notched fitting section	Thickness [mm]		12									
	Outer diameter [mm]		φ159.4									
The number of output pulse	Outer diameter tolerance [mm]		-0.035 to +0.005									
	A/B phase		192									
Detection resolution [p/rev]	Z phase		1									
			6 million									
Absolute accuracy at stop [r/min]			97.5°									
			15,000									
Signal output			Mitsubishi high-speed serial									
Compatible model	E/EH		○									
	EM/EMH		○									
	EJ/EJH		○									

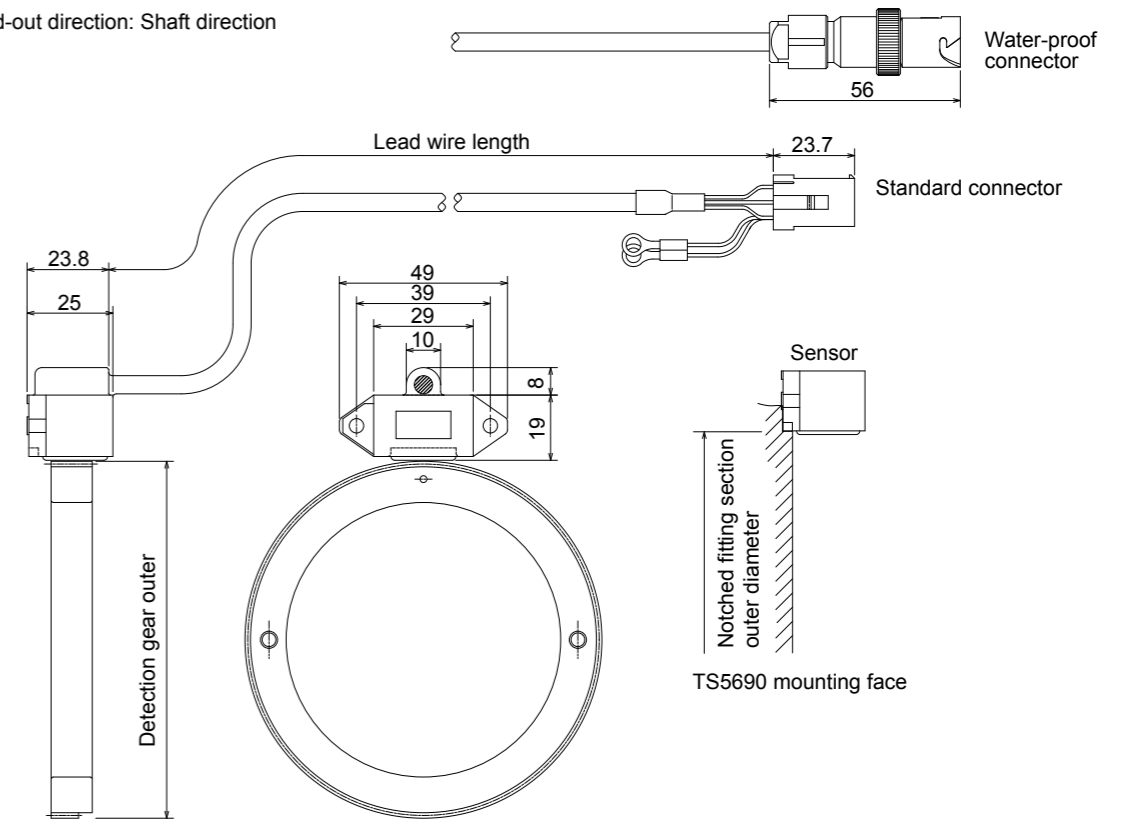
Sensor	Series type		TS5690N25xx									
	xx (The end of the type name)	Standard connector Water-proof connector	12	22	32	42	52	17	27	37	47	57
			19	29	39	49	59	18	28	38	48	58
	Length of lead [mm]		400±10	800±20	1200±20	1600±30	2000±30	400±10	800±20	1200±20	1600±30	2000±30
	Lead wire lead-out direction		Vertical direction					Shaft direction				
Detection gear	Type		MU1606N802									
	The number of teeth		256									
	Outer diameter [mm]		φ206.4									
	Inner diameter [mm]		φ160									
Notched fitting section	Thickness [mm]		15.8									
	Outer diameter [mm]		φ210.2									
The number of output pulse	Outer diameter tolerance [mm]		0.0 to +0.040									
	A/B phase		256									
Detection resolution [p/rev]	Z phase		1									
			8 million									
Absolute accuracy at stop [r/min]			95°									
			10,000									
Signal output			Mitsubishi high-speed serial									
Compatible model	E/EH		○									
	EM/EMH		○									
	EJ/EJH		○									

Outline dimension drawing

Lead wire lead-out direction: Vertical direction



Lead wire lead-out direction: Shaft direction



[Unit : mm]

[Unit : mm]

■Spindle side encoder (other manufacturer's product)

Encoder type	ERM280 1200	ERM280 2048	GEL2449M	MHS-04B Series
Manufacturer	HEIDENHAIN CORPORATION		LENORD+BAUER	GUBOA
Interface unit type	EIB192M C4 1200 EIB392M C4 1200	EIB192M C6 2048 EIB392M C6 2048	Not required	Not required
Minimum detection resolution	0.0000183° (19,660,800p/rev)	0.0000107° (33,554,432p/rev)	0.000687° (524,288p/rev)	0.000343° (1,048,576p/rev)
Tolerable maximum speed	20000 r/min	11718 r/min	Depending on the diameter of the gear	Depending on the diameter of the gear (8000 to 40000 r/min)

ENCODER INTERFACE UNIT

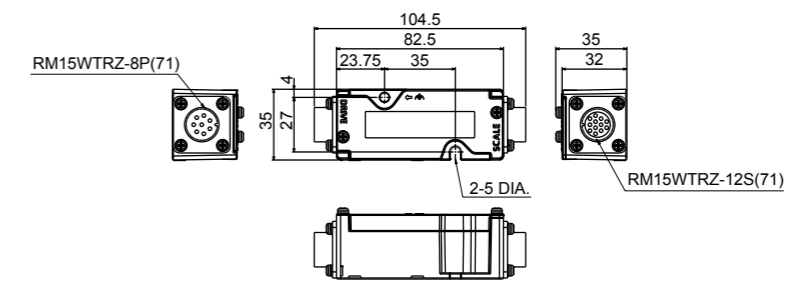
■Serial output interface unit for ABZ analog encoder MDS-EX-HR

This unit superimposes the scale analog output raw waves, and generates high resolution position data. Increasing the encoder resolution is effective for the servo high-gain.

Specifications

Type	MDS-EX-HR-11	
Consumption current	150mA	
Analog signal input specifications	A-phase, B-phase, Z-phase (Amplitude 1Vp-p/Min.: 0.8Vp-p Max.: 1.2Vp-p)	
Compatible frequency	Analog raw waveform max.200kHz	
Scale resolution	Analog raw waveform / 16384 division	
Output communication style	High-speed serial communication	
Tolerable power voltage	5VDC±5%	
Maximum heating value	2W	
Mass	0.2kg	
Degree of protection	IP67	
Compatible model	E/EH	○
	EM/EMH	○
	EJ/EJH	○

Outline dimension drawing



[Unit : mm]

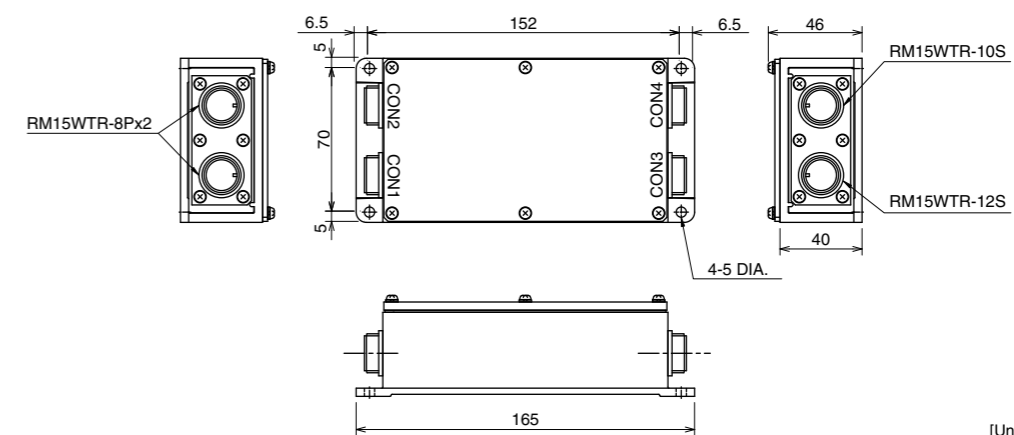
■Serial output interface unit for ABZ analog encoder MDS-B-HR

Convert the analog waves (Phase A and B) output from the relative position linear scale into the Mitsubishi-protocol serial communication (digital) signal. Add the signal from the magnetic polar detection unit to the linear scale's feedback signal.

Specifications

Type	MDS-B-HR-11M	MDS-B-HR-11MP
Analog signal input specifications	A-phase, B-phase, Z-phase (Amplitude 1Vp-p)	
Compatible frequency	Analog raw waveform max. 200kHz	
Scale resolution	Analog raw waveform/512 division	
Input/output communication style	High-speed serial communication I/F, RS485 or equivalent	
Magnetic pole detection	Compatible	
Tolerable power voltage	DC5V±5%	
Maximum heating value	2W	
Mass	0.5kg or less	
Degree of protection	IP65	IP67
Compatible model	E/EH	○
	EJ/EJH	○

Outline dimension drawing



[Unit : mm]

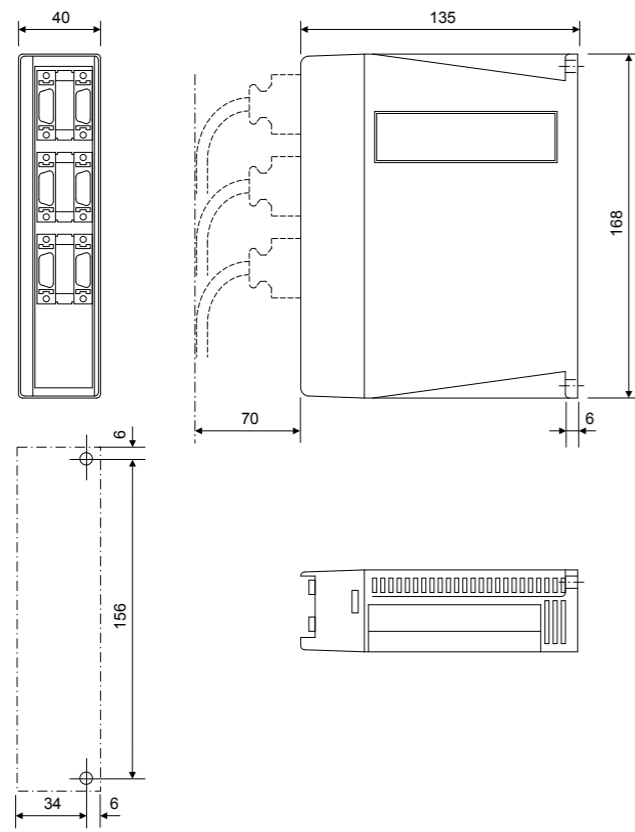
■Serial signal division unit MDS-B-SD

This unit has a function to divide the position and speed signals fed back from the high-speed serial encoder and high-speed serial linear scale. This unit is used to carry out synchronized control of the motor with two MDS-E/EH-V1 drive units.

Specifications

Type		MDS-B-SD
Compatible servo drive unit		MDS-E/EH-V1-□
Input/output communication style		High-speed serial communication I/F, RS485 or equivalent
Tolerable power voltage		DC5V±10%
Maximum heating value		4W
Mass		0.5kg or less
Degree of protection		IP20
Compatible model	E/EH	○
	EM/EMH	-
	EJ/EJH	○

Outline dimension drawing



[Unit : mm]

■Serial output interface unit for ABZ analog encoder EIB192M (Other manufacturer's product)

Specifications

Type		EIB192M A4 20µm	EIB192M C4 1200	EIB192M C4 2048
Manufacturer		HEIDENHAIN		
Input signal		A-phase, B-phase: SIN wave 1Vpp, Z-phase		
Maximum input frequency		400kHz		
Output signal		Mitsubishi high-speed serial signal (Mitsu02-4)		
Interpolation division number		Maximum 16384 divisions		
Compatible encoder		LS187, LS487	ERM280 1200	ERM280 2048
Minimum detection resolution		0.0012µm	0.0000183° (19,660,800p/rev)	0.0000107° (33,554,432p/rev)
Degree of protection		IP65		
Outline dimension		98mm×64mm×38.5mm		
Mass		300g		
Compatible model	E/EH	○	○	○
	EM/EMH	○	○	○
	EJ/EJH	○	○	○

■Serial output interface unit for ABZ analog encoder EIB392M (Other manufacturer's product)

Specifications

Type		EIB392M A4 20µm	EIB392M C4 1200	EIB392M C4 2048
Manufacturer		HEIDENHAIN		
Input signal		A-phase, B-phase: SIN wave 1Vpp, Z-phase		
Maximum input frequency		400kHz		
Output signal		Mitsubishi high-speed serial signal (Mitsu02-4)		
Interpolation division number		Maximum 16384 divisions		
Compatible encoder		LS187, LS487	ERM280 1200	ERM280 2048
Minimum detection resolution		0.0012µm	0.0000183° (19,660,800p/rev)	0.0000107° (33,554,432p/rev)
Degree of protection		IP40		
Outline dimension		76.5mm×43mm×16.6mm		
Mass		140g		
Compatible model	E/EH	○	○	○
	EM/EMH	○	○	○
	EJ/EJH	○	○	○

■Serial output interface unit for ABZ analog encoder ADB-K70M Series (Other manufacturer's product)

Specifications

Type		ADB-K70M
Manufacturer		NIDEC MACHINE TOOL CORPORATION
Maximum response speed		10,000r/min
Output signal		Mitsubishi high-speed serial signal
Compatible encoder		MPRZ series
Minimum detection resolution		0.000043° (8,388,608p/rev)
Degree of protection		IP20
Outline dimension		120mm×50mm×30mm
Mass		0.15kg
Compatible model	E/EH	○
	EM/EMH	○
	EJ/EJH	○

DRIVE UNIT OPTION

DC connection bar

When connecting a large capacity drive unit with L+L- terminal of power supply unit, DC connection bar is required. In use of the following large capacity drive units, use a dedicated DC connection bar. The DC connection bar to be used depends on the connected power supply, so make a selection according to the following table.

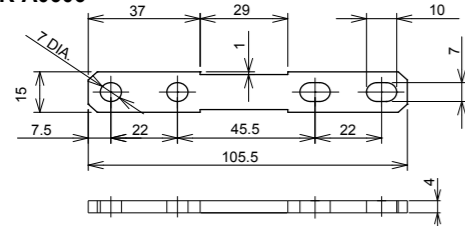
Specifications

Series	MDS-E		MDS-EH		
Large capacity drive unit	MDS-E-SP-400 MDS-E-SP-640	MDS-E-SP-400 MDS-E-SP-640	MDS-EH-SP-200 MDS-EH-SP-320 MDS-EH-SP-480 MDS-EH-SP-600	MDS-EH-V1-200 MDS-EH-SP-200 MDS-EH-SP-320	MDS-EH-V1-200
Power supply unit	MDS-E-CV-300 MDS-E-CV-370 MDS-E-CV-450	MDS-E-CV-550	MDS-EH-CV-550 MDS-EH-CV-750 MDS-EX-CVP-1100H	MDS-E-CV-300 MDS-E-CV-370 MDS-E-CV-450	MDS-EH-CV-185
Required connection bar	E-BAR-B0606		E-BAR-A0606 (Two-parts set)	DH-BAR-B0606	DH-BAR-C0606
Compatible model	E/EH	○	○	○	○
	EM/EMH	-	-	-	-
	EJ/EJH	-	-	-	-

Outline dimension drawings

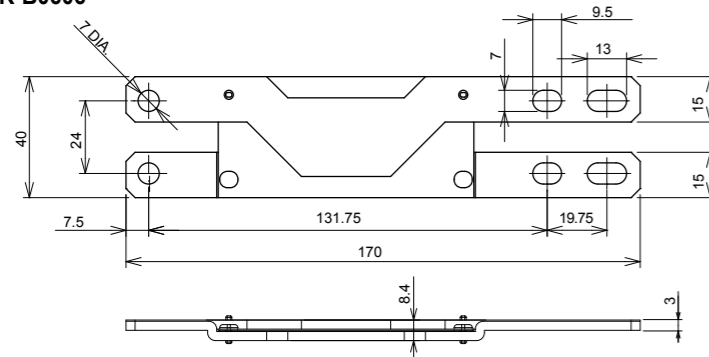
[Unit:mm]

E-BAR-A0606

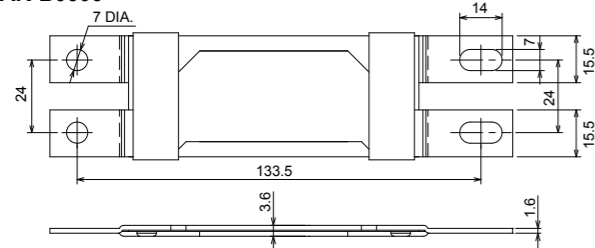


(Note) E-BAR-A0606 is a set of two DC connection bars.

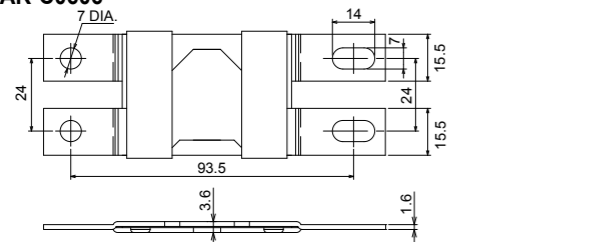
E-BAR-B0606



DH-BAR-B0606



DH-BAR-C0606



Side protection cover (E-COVER-1/E-COVER-2)

Install the side protection cover outside the both ends of the connected units.

Regenerative option

Confirm the regeneration resistor capacity and possibility of connecting with the drive unit.

The regenerative resistor generates heats, so wire and install the unit while taking care to safety. When using the regenerative resistor, make sure that flammable matters, such as cables, do not contact the resistor, and provide a cover on the machine so that dust or oil does not accumulate on the resistor and ignite.

Combination with servo drive unit

Corresponding servo drive unit	Standard built-in regenerative resistor	External option regenerative resistor						
		MR-RB032	MR-RB12	MR-RB32	MR-RB30	MR-RB50	MR-RB31	MR-RB51
	Mass	0.5kg	1.1kg	2.9kg	2.9kg	5.6kg	2.9kg	5.6kg
	Unit outline dimension	168mm×30mm×119mm	168mm×40mm×149mm	150mm×100mm×318mm	150mm×100mm×318mm	350mm×128mm×200mm	150mm×100mm×318mm	350mm×128mm×200mm
		W1	W2	W3	W3	W4	W3	W4
	External option regenerative resistor	-	GZG200W39OHMK	GZG200W120OHMK x3	GZG200W39OHMK x3	GZG300W39OHMK x3	GZG200W20OHMK x3	GZG300W20OHMK x3
	Regenerative capacity	30W	100W	300W	300W	500W	300W	500W
	Resistance value	40Ω	40Ω	40Ω	13Ω	13Ω	6.7Ω	6.7Ω
MDS-EJ-V1-10	10W	100Ω	○	○				
MDS-EJ-V1-15	10W	100Ω	○	○				
MDS-EJ-V1-30	20W	40Ω	○	○	○			
MDS-EJ-V1-40	100W	13Ω				○	○	
MDS-EJ-V1-80	100W	9Ω				○	○	○
MDS-EJ-V1-100	100W	9Ω				○	○	○
MDS-EJ-V2-30	100W	9Ω				○	○	
MDS-EJ-V2-40	150W	6.7Ω				○	○	○

Corresponding servo drive unit	Standard built-in regenerative resistor	External option regenerative resistor							
		FCUA-RB22	FCUA-RB37	FCUA-RB55	FCUA-RB75/2	FCUA-RB55 2 units connected in parallel	FCUA-RB75/2 2 units connected in parallel	R-UNIT	R-UNIT2
	Mass	0.8kg	1.2kg	2.2kg	2.2kg	4.4kg	4.4kg	4.3kg	4.4kg
	Unit outline dimension	30mm×60mm×215mm	30mm×60mm×335mm	40mm×80mm×400mm	40mm×80mm×400mm	40mm×80mm×400mm	40mm×80mm×400mm	355mm×105mm×114mm	355mm×105mm×114mm
		W5	W5	W6	W6	W6	W6	W7	W7
	Regenerative capacity	155W	185W	340W	340W	680W	680W	700W	700W
	Resistance value	40Ω	25Ω	20Ω	30Ω	10Ω	15Ω	30Ω	15Ω
MDS-EJ-V1-10	10W	100Ω							
MDS-EJ-V1-15	10W	100Ω							
MDS-EJ-V1-30	20W	40Ω	○						
MDS-EJ-V1-40	100W	13Ω		○	○		○		○
MDS-EJ-V1-80	100W	9Ω				○	○		○
MDS-EJ-V1-100	100W	9Ω				○	○		○
MDS-EJ-V2-30	100W	9Ω	○	○					
MDS-EJ-V2-40	150W	6.7Ω				○	○		○

Corresponding servo drive unit	Standard built-in regenerative resistor	External option regenerative resistor			
		MR-RB1H-4	MR-RB3M-4	MR-RB3G-4	MR-RB5G-4 (Note 1)
	Mass	1.1kg	2.9kg	2.9kg	5.6kg
	Unit outline dimension	168mm×40mm×149mm	150mm×100mm×318mm	150mm×100mm×318mm	350mm×128mm×200mm
		W2	W3	W3	W4
	Regenerative capacity	100W	300W	300W	500W
	Resistance value	82Ω	120Ω	47Ω	47Ω
MDS-EJH-V1-10	20W	80Ω	○		
MDS-EJH-V1-15	20W	80Ω	○		
MDS-EJH-V1-20	100W	40Ω			○
MDS-EJH-V1-40	120W	47Ω			○

(Note 1) Install a cooling fan in the unit.

Combination with spindle drive unit



The regenerative resistor is not incorporated in the spindle drive unit. Make sure to install the external option regenerative resistor.

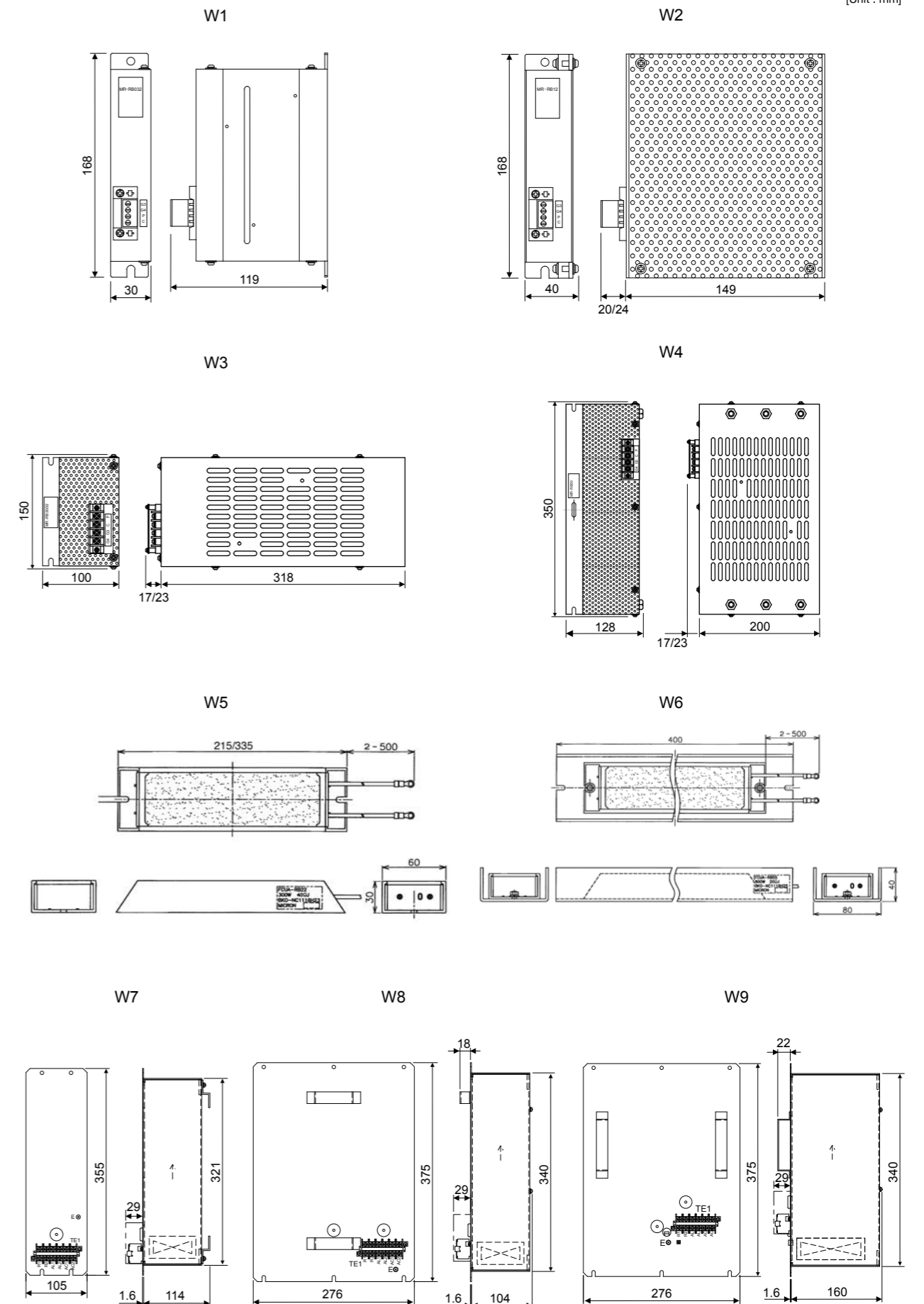
Corresponding spindle drive unit	External option regenerative resistor			
	MR-RB12	MR-RB32	MR-RB30	MR-RB50
Mass	0.8kg	2.9kg	2.9kg	5.6kg
Unit outline dimension	168mm×40mm×149mm W2	150mm×100mm×318mm W3	150mm×100mm×318mm W3	350mm×128mm×200mm W4
External option regenerative resistor	GZG200W39OHMK	GZG200W120 OHMK×3	GZG200W39 OHMK×3	GZG300W39 OHMK×3
Regenerative capacity	100W	300W	300W	500W
Resistance value	40Ω	40Ω	13Ω	13Ω
MDS-EJ-SP-20	-	○		
MDS-EJ-SP-40	-		○	○
MDS-EJ-SP-80	-		○	○
MDS-EJ-SP-100	-		○	○
MDS-EJ-SP-120	-		○	○
MDS-EJ-SP-160	-			○
MDS-EJ-SP2-20	-		○	○

Corresponding spindle drive unit	External option regenerative resistor			
	FCUA-RB22	FCUA-RB37	FCUA-RB55	FCUA-RB75/2 (1 unit)
Mass	0.8kg	1.2kg	2.2kg	2.2kg
Unit outline dimension	30mm×60mm×215mm W5	30mm×60mm×335mm W5	40mm×80mm×400mm W6	40mm×80mm×400mm W6
Regenerative capacity	155W	185W	340W	340W
Resistance value	40Ω	25Ω	20Ω	30Ω
MDS-EJ-SP-20	-	○		
MDS-EJ-SP-40	-	○	○	○
MDS-EJ-SP-80	-	○	○	○
MDS-EJ-SP-100	-	○	○	○
MDS-EJ-SP-120	-			
MDS-EJ-SP-160	-			
MDS-EJ-SP2-20	-	○	○	○

Corresponding spindle drive unit	External option regenerative resistor							
	R-UNIT1	R-UNIT2	R-UNIT3	R-UNIT4	R-UNIT5	FCUA-RB55 2 units connected in parallel	FCUA-RB75/2 2 units connected in parallel	
Mass	4.3kg	4.4kg	10.8kg	11.0kg	15.0kg	4.4kg	4.4kg	
Unit outline dimension	355mm× 105mm× 114mm	355mm× 105mm× 114mm	375mm× 276mm× 104mm	375mm× 276mm× 104mm	375mm× 276mm× 160mm	40mm× 80mm× 400mm	40mm× 80mm× 400mm	
Regenerative capacity	700W	700W	2100W	2100W	3100W	680W	680W	
Resistance value	30Ω	15Ω	15Ω	10Ω	10Ω	10Ω	15Ω	
MDS-EJ-SP-20	-							
MDS-EJ-SP-40	○	○	○		○	○	○	
MDS-EJ-SP-80	○	○	○	○	○	○	○	
MDS-EJ-SP-100	○	○	○	○	○	○	○	
MDS-EJ-SP-120	○	○	○	○	○	○	○	
MDS-EJ-SP-160	-			○	○			
MDS-EJ-SP2-20	-							

External option regenerative resistor

[Unit : mm]



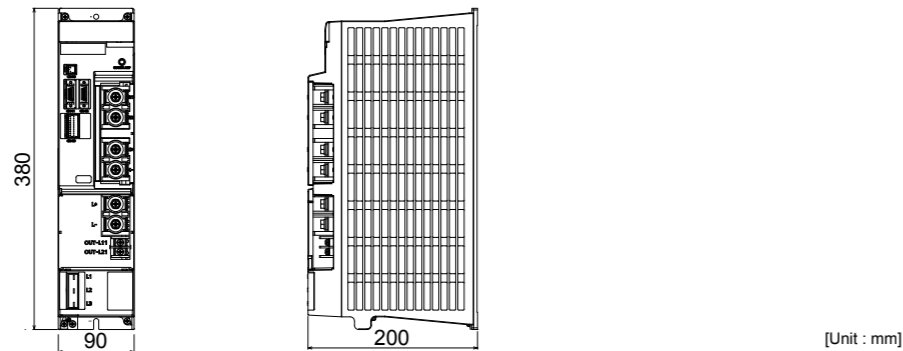
■Power backup unit MDS-D/DH-PFU

Use this unit to protect machines or drive units at power failure.

Specifications

Power backup unit type		MDS-DH-PFU	MDS-D-PFU
AC Input	Rated voltage [V]	380 to 480AC (50/60Hz) (Exclusively for earthed-star supply system) Tolerable fluctuation : between +10% and -10%	200 to 230AC (50/60Hz) Tolerable fluctuation : between +10% and -15%
	Frequency [Hz]	50/60 Tolerable fluctuation : between +3% and -3%	
	Rated current [A]	2	4
DC Input/ Output	Rated voltage [V]	513 to 648DC	270 to 311DC
	Rated current [A]	Regenerative input: MAX 200A Power running output: MAX 160A	Regenerative input: MAX 300A Power running output: MAX 200A
AC output for control power backup	Voltage [V]	Single-phase 380 to 480VAC (50Hz or 60Hz) 50Hz at backup	Single-phase 200 to 230VAC (50Hz or 60Hz) 50Hz at backup
	Current [A]	MAX 2	MAX 4
	Maximum number of drive units to connect	6 units (except for the power supply unit)	
	Switching time	Within 100ms after AC input instantaneous interruption	
Minimum backup time		75ms or more (380VAC input, at maximum number of drive units to connect)	75ms or more (200VAC input, at maximum number of drive units to connect)
		IP20 [except for the terminal block and connector area]	
Degree of protection	IP20 [except for the terminal block and connector area]		
Cooling method	Natural-cooling		
Mass [kg]	4		

Outline dimension drawing



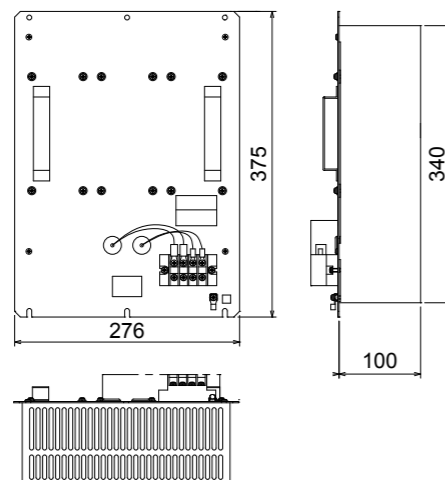
[Unit : mm]

■Regenerative resistor unit for power backup unit R-UNIT-6, R-UNIT-7

Specifications

Regenerative resistor type	R-UNIT-6	R-UNIT-7
Corresponding power backup unit type	MDS-DH-PFU	MDS-D-PFU
Resistance value [Ω]	5	1.4
Instantaneous regeneration capacity [kW]	128	114
Tolerable regeneration work amount [kJ]	180	180
Cooling method	Natural-cooling	Natural-cooling
Mass [kg]	10	10

Outline dimension drawing



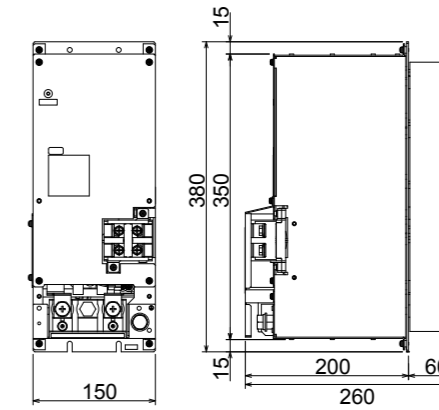
[Unit : mm]

■Capacitor unit MDS-D/DH-CU

Specifications

Capacitor unit type		MDS-DH-CU	MDS-D-CU
Compatible capacitor unit type		MDS-DH-PFU	MDS-D-PFU
Capacity [μF]		7000	28000
DC Input/Output	Rated voltage [V]	513 to 648DC	270 to 311DC
Cooling method		Natural-cooling	Natural-cooling
Mass [kg]		11	11

Outline dimension drawing



[Unit : mm]

SELECTION OF CABLES AND CONNECTORS

The following are the selection lists of the cables and connectors provided by Mitsubishi. Refer to Specifications manual of each drive system series when manufacturing the cables. (For E/EH Series, refer to "6.1 Selection of Wire" and "8.1 Selection of Cable".)

■MDS-E Series Power Cable/Connector and Brake Cable/Connector for Servo Motor Selection List

Servo motor type	Drive unit type MDS-E-			Power Cable			Brake Cable		
	V1	V2	V3	Single connector	Cable		Single connector	Cable	
				Drive unit side	Motor side		Drive unit side	Motor side	
HG Series	HG46	20	20	- All axes CNU01SEF (AWG14) - L-axis only CNU01SEL (AWG14) - M-axis only CNU01SEM (AWG14) - S-axis only CNU01SES (AWG14)	MR-PWS1CBL □ M-A1-H □ : Length (m) 2, 3, 5, 7, 10	MR-PWS1CBL □ M-A2-H □ : Length (m) 2, 3, 5, 7, 10	CNU23S (AWG14)	MR-BKS1CBL □ M-A1-H □ : Length (m) 2, 3, 5, 7, 10	MR-BKS1CBL □ M-A2-H □ : Length (m) 2, 3, 5, 7, 10
	HG56	20	40						
	HG96	40	40						

Servo motor type	Drive unit type MDS-E-			Power Connector			Brake Connector		
	V1	V2	V3	Drive unit side	Motor side		Drive unit side	Motor side	
					Straight	Right angle		Straight	Right angle
HG Series	HG75□-S105010	20	40	20	CNP14-2S (12) Applicable cable outline ø10 to 12 (mm)	CNP14-2L (12) Applicable cable outline ø10 to 12 (mm)	CNU23S (AWG14)	CNB10-R2S (6) CNB10S-R2S (6) Applicable cable outline ø4.0 to 6.0 (mm)	CNB10-R2L (6) CNB10S-R2L (6) Applicable cable outline ø4.0 to 6.0 (mm)
	HG105□-S105010								
	HG75								
	HG105								
	HG123								
	HG142								
	HG54	40	80	40	CNP18-10S (14) Applicable cable outline ø10.5 to 14 (mm)	CNP18-10L (14) Applicable cable outline ø10.5 to 14 (mm)			
	HG104								
	HG223								
	HG302								
	HG154								
	HG224								
	HG204	80	160	80	CNP22-22S (16) Applicable cable outline ø12.5 to 16 (mm)	CNP22-22L (16) Applicable cable outline ø12.5 to 16 (mm)			
	HG303								
	HG354								
	HG453								
HG603									
HG702									
HG703	160W	160W	—	CNP22-22S (16) Applicable cable outline ø12.5 to 16 (mm)	CNP22-22L (16) Applicable cable outline ø12.5 to 16 (mm)				
HG903	320	—	Terminal block connection			CNP32-17S (23) Applicable cable outline ø22 to 23.8 (mm)	CNP32-17L (23) Applicable cable outline ø22 to 23.8 (mm)		
HG1103	320W	—							

Servo motor type	Drive unit type MDS-E-			Power Connector			Brake Connector		
	V1	V2	V3	Drive unit side	Motor side		Drive unit side	Motor side	
					Straight	Right angle		Straight	Right angle
HK Series	HK76	20	20	- All axes CNU01SEF (AWG14) - L-axis only CNU01SEL (AWG14) - M-axis only CNU01SEM (AWG14) - S-axis only CNU01SES (AWG14)	CNAP18-10S (11) Applicable cable outline ø8.0 to 11.0 (mm)	CNAP18-10L (11) Applicable cable outline ø8.0 to 11.0 (mm)	CNU23S (AWG14)	CNB10-R2S (6) CNB10S-R2S (6) Applicable cable outline ø4.0 to 6.0 (mm)	CNB10-R2L (6) CNB10S-R2L (6) Applicable cable outline ø4.0 to 6.0 (mm)
	HK105	40	80						
	HK55								
	HK104								
	HK123								
	HK142								
	HK154				80	160	40	CNAP18-10S (14) Applicable cable outline ø11.0 to 14.1 (mm)	CNAP18-10L (14) Applicable cable outline ø11.0 to 14.1 (mm)
	HK223								
	HK224								
	HK204								
	HK302								
	HK303								
	HK354	160	160W		—	CNAP22-22S (13) Applicable cable outline ø9.5 to 13.0 (mm)	CNAP22-22L (13) Applicable cable outline ø9.5 to 13.0 (mm)		
	HK453								
	HK603								
	HK702								
HK703									
HK703	160W			160W					

■MDS-E Series Encoder Cable and Connector for Servo Motor Selection List

Servo motor type	Drive unit type MDS-E-			Servo encoder cable									
	V1	V2	V3	Motor side encoder cable				Ball screw side encoder cable					
				Cable (for D47/D48/D51/D74)		Single connector		Cable (OSA405ET2AS/OSA676ET2AS)		Single connector			
				Straight	Right angle	Drive unit side	Motor side	Straight	Right angle	Straight	Right angle		
HG Series	HG46	20	20	CNV2E-8P-□ □ : Length (m) 2, 3, 4, 5, 7, 10, 15, 20, 25, 30	CNV2E-9P-□ □ : Length (m) 2, 3, 4, 5, 7, 10, 15, 20, 25, 30	CNU2S (AWG18)	CNE10-R10S (9) CNE10S-R10S (9) Applicable cable outline ø6.0 to 9.0 (mm)	CNE10-R10L (9) CNE10S-R10L (9) Applicable cable outline ø6.0 to 9.0 (mm)	CNV2E-8P-□ □ : Length (m) 2, 3, 4, 5, 7, 10, 15, 20, 25, 30	CNV2E-9P-□ □ : Length (m) 2, 3, 4, 5, 7, 10, 15, 20, 25, 30	CNE10-R10S (9) CNE10S-R10S (9) Applicable cable outline ø6.0 to 9.0 (mm)	CNE10-R10L (9) CNE10S-R10L (9) Applicable cable outline ø6.0 to 9.0 (mm)	
	HG56												
	HG96												
	HG75												
	HG105												
	HG123												
	HG142	40	40										
	HG54												
	HG104												
	HG223												
	HG302												
	HG154												
	HG224	80	160										80
	HG204												
	HG303												
	HG354												
HG453													
HG603													
HG702	160	160W	—										
HG703													
HG903													
HG1103													

Servo motor type	Drive unit type MDS-E-			Servo encoder cable											
	V1	V2	V3	Motor side encoder cable				Ball screw side encoder cable							
				Cable (for G48)		Single connector		Cable (OSA405ET2AS/OSA676ET2AS)		Single connector					
				Straight	Right angle	Drive unit side	Motor side	Straight	Right angle	Straight	Right angle				
HK Series	HK76	20	20	CNV2E-8P-□ □ : Length (m) 2, 3, 4, 5, 7, 10, 15, 20, 25, 30	CNV2E-9P-□ □ : Length (m) 2, 3, 4, 5, 7, 10, 15, 20, 25, 30	CNU2S (AWG18)	CNE10-R10S (9) CNE10S-R10S (9) Applicable cable outline ø6.0 to 9.0 (mm)	CNE10-R10L (9) CNE10S-R10L (9) Applicable cable outline ø6.0 to 9.0 (mm)	CNV2E-8P-□ □ : Length (m) 2, 3, 4, 5, 7, 10, 15, 20, 25, 30	CNV2E-9P-□ □ : Length (m) 2, 3, 4, 5, 7, 10, 15, 20, 25, 30	CNE10-R10S (9) CNE10S-R10S (9) Applicable cable outline ø6.0 to 9.0 (mm)	CNE10-R10L (9) CNE10S-R10L (9) Applicable cable outline ø6.0 to 9.0 (mm)			
	HK105														
	HK55												40	80	
	HK104														
	HK123														
	HK142														
	HK154	80	160												40
	HK223														
	HK224														
	HK204														
	HK302														
	HK303														
	HK354	160	160W										—		
	HK453														
	HK603														
	HK702														
HK703															
HK703	160W			160W											

■MDS-E Series Power Connector for Spindle Motor Selection List

Spindle motor type	Drive unit type MDS-E-		Power Connector	
	SP	SP2	Drive unit side	Motor side
SJ-D Series (Normal)	SJ-D3.7/100-01	80	80 16080 (M)	- All axes CNU01SEF (AWG14) - L-axis only CNU01SEL (AWG14) - M-axis only CNU01SEM (AWG14)
	SJ-D5.5/100-01			
	SJ-D5.5/120-01			
	SJ-D5.5/120-02	160 200	16080 (L)	
	SJ-D7.5/100-01			
	SJ-D7.5/120-01	160	16080 (L)	
	SJ-D11/100-01			
	SJ-D15/80-01	200	—	
	SJ-D18.5/80-01	240 320	—	
	SJ-D22/80-01	240 320	—	
SJ-D26/80-01	320	—		
SJ-D Series (Hollow shaft)	SJ-D3.7/100-01T-S	80	80 16080 (M)	- All axes CNU01SEF (AWG14) - L-axis only CNU01SEL (AWG14) - M-axis only CNU01SEM (AWG14)
	SJ-D5.5/100-01T-S			
	SJ-D5.5/120-01T-S			
	SJ-D5.5/120-02T-S	160 200	16080 (L)	
SJ-D7.5/100-01T-S	160	16080 (L)		
SJ-D7.5/120-01T-S				
SJ-D11/100-01T-S	—	—		
SJ-DG Series (High output)	SJ-DG3.7/120-03T	160	—	Terminal block connection
	SJ-DG5.5/120-04T			
	SJ-DG7.5/120-05T			
	SJ-DG11/100-03T	200	—	
	SJ-DG11/120-03T	160 200	16080(L)	
	SJ-DG11/120-12T-K	200	—	
	SJ-DG11/150-06T	160 200	16080(L)	
	SJ-DG11/150-15T-K	200	—	
SJ-DG15/120-02T-K	200 240	—		
SJ-DG Series (Hollow shaft)	SJ-DG3.7/120-03T-S	160	—	Terminal block connection
	SJ-DG5.5/120-04T-S			
	SJ-DG7.5/120-05T-S			
	SJ-DG11/100-03T-S	200	—	
	SJ-DG11/120-03T-S	160 200	16080(L)	
	SJ-DG11/120-12T-KS	200	—	
	SJ-DG11/150-06T-S	160 200	16080(L)	
	SJ-DG11/150-15T-KS	200	—	
SJ-DG15/120-02T-KS	200 240	—		
SJ-DJ Series (Compact & lightweight)	SJ-DJ5.5/100-01	80	80 16080 (M)	- All axes CNU01SEF (AWG14) - L-axis only CNU01SEL (AWG14) - M-axis only CNU01SEM (AWG14)
	SJ-DJ5.5/120-01	80	80 16080 (M)	
	SJ-DJ7.5/100-01	160	16080 (L)	
	SJ-DJ7.5/120-01			
	SJ-DJ11/100-01			
SJ-DJ15/80-01	200	—		

Spindle motor type	Drive unit type MDS-E-		Power Connector		
	SP	SP2	Drive unit side	Motor side	
SJ-DL Series (Low-inertia)	SJ-DL0.75/100-01	20	20	- All axes CNU01SEF (AWG14) - L-axis only CNU01SEL (AWG14) - M-axis only CNU01SEM (AWG14)	
	SJ-DL1.5/100-01	40	40		
	SJ-DL3.7/240-01T	200	—		
	SJ-DL5.5/150-01T	160	16080 (L)		
	SJ-DL5.5/200-01T				
	SJ-DL5.5/240-05T	200	—		
	SJ-DL7.5/150-01T	160	16080 (L)		
SJ-DL Series (Hollow shaft)	SJ-DL0.75/100-01T-S	20	20	- All axes CNU01SEF (AWG14) - L-axis only CNU01SEL (AWG14) - M-axis only CNU01SEM (AWG14)	
	SJ-DL1.5/100-01T-S	40	40		
	SJ-DL3.7/240-01T-S	200	—		
	SJ-DL5.5/150-01T-S	160	16080 (L)		
	SJ-DL5.5/200-01T-S				
	SJ-DL5.5/240-05T-S	200	—		
SJ-DL7.5/150-01T-S	160	16080 (L)			
SJ-DM Series (Magnet specifications)	SJ-DM11/120-01T	320	—	Terminal block connection	
SJ-DN Series (High-torque specifications)	SJ-DN7.5/80-01	160	16080 (L)	Terminal block connection	
	SJ-DN11/80-01	200	—		
	SJ-DN15/80-01	200	—		
SJ-V Series (Normal)	SJ-V2.2-01T	40	40	- All axes CNU01SEF (AWG14) - L-axis only CNU01SEL (AWG14) - M-axis only CNU01SEM (AWG14)	
	SJ-V3.7-02ZT	80	80 16080 (M)		
	SJ-V15-09ZT	200	—		
	SJ-V18.5-01ZT				
	SJ-V18.5-04ZT	240	—		
	SJ-V22-01ZT				
	SJ-V22-04ZT	320	—		
	SJ-V22-06ZT				
	SJ-V26-01ZT	320	—		
	SJ-V37-01ZT				
	SJ-V45-01ZT	640	—		
	SJ-V55-01ZT				
	SJ-V Series (Wide range constant output)	SJ-V11-01T	160		16080 (L)
		SJ-V11-09T			
SJ-V15-03T		200	—		
SJ-V18.5-03T		240	—		
SJ-V22-05T		320	—		
SJ-V22-09T					
SJ-VK22-19ZT					
SJ-VL Series (Low-inertia)	SJ-VL2.2-02ZT	40	40	- All axes CNU01SEF (AWG14) - L-axis only CNU01SEL (AWG14) - M-axis only CNU01SEM (AWG14)	
	SJ-VL11-02FZT	160	16080 (L)		
	SJ-VL11-05FZT-S01				

■MDS-E Series Encoder Cable and Connector for Spindle Motor Selection List

Spindle motor type	Drive unit type MDS-E- SP SP2	Spindle encoder cable											
		When connecting to a spindle motor			When connecting to a spindle side encoder								
		Motor side PLG cable			Spindle side accuracy encoder TS5690 cable			Spindle side encoder OSE-1024 cable					
		Cable	Single connector		Cable	Single connector		Cable		Single connector			
Drive unit side	Encoder side		Drive unit side	Encoder side		Straight	Right angle	Drive unit side	Encoder side				
										Straight	Right angle		
SJ-D Series (Normal)	SJ-D3.7/100-01	80	16080 (M)										
	SJ-D5.5/100-01												
	SJ-D5.5/120-01												
	SJ-D5.5/120-02	160	16080 (L)										
	SJ-D7.5/100-01												
	SJ-D7.5/120-01	160	16080 (L)										
	SJ-D11/100-01												
	SJ-D15/80-01												200
	SJ-D18.5/80-01	240	320										—
	SJ-D22/80-01	240	320										—
SJ-D26/80-01	320	—	—										
SJ-D Series (Hollow shaft)	SJ-D3.7/100-01T-S	80	16080 (M)										
	SJ-D5.5/100-01T-S												
	SJ-D5.5/120-01T-S												
	SJ-D5.5/120-02T-S	160	16080 (L)										
	SJ-D7.5/100-01T-S												
SJ-D7.5/120-01T-S	160	16080 (L)											
SJ-D11/100-01T-S													
SJ-DG Series (High output)	SJ-DG3.7/120-03T	160	—	CNP2E-1-□IM □ : Length (m) 2, 3, 4, 5, 7, 10, 15, 20, 25, 30	CNU2S (AWG18)	CNEPGS	CNP2E-1-□IM □ : Length (m) 2, 3, 4, 5, 7, 10, 15, 20, 25, 30	CNU2S (AWG18)	CNEPGS	CNP3EZ-2P-□IM □ : Length (m) 2, 3, 4, 5, 7, 10, 15, 20, 25, 30	CNP3EZ-3P-□IM □ : Length (m) 2, 3, 4, 5, 7, 10, 15, 20, 25, 30	CNE20-29S (10) Applicable cable outline ø6.8 to 10 (mm)	CNE20-29L (10) Applicable cable outline ø6.8 to 10 (mm)
	SJ-DG5.5/120-04T												
	SJ-DG7.5/120-05T												
	SJ-DG11/100-03T	200	—										
	SJ-DG11/120-03T	160	16080 (L)										
	SJ-DG11/150-06T	200	—										
	SJ-DG11/150-15T-K	200	—										
	SJ-DG15/120-02T-K	200	240										
SJ-DG Series (Hollow shaft)	SJ-DG3.7/120-03T-S	160	—										
	SJ-DG5.5/120-04T-S												
	SJ-DG7.5/120-05T-S												
	SJ-DG11/100-03T-S	200	—										
	SJ-DG11/120-03T-S	160	16080 (L)										
	SJ-DG11/120-12T-KS	200	—										
	SJ-DG11/150-06T-S	160	16080 (L)										
SJ-DG11/150-15T-KS	200	—											
SJ-DG15/120-02T-KS	200	240	—										
SJ-DJ Series (Compact & lightweight)	SJ-DJ5.5/100-01	80	16080 (M)										
	SJ-DJ5.5/120-01												
	SJ-DJ7.5/100-01	160	16080 (L)										
	SJ-DJ7.5/120-01												
	SJ-DJ11/100-01												
SJ-DJ15/80-01	200	—											

Spindle motor type	Drive unit type MDS-E- SP SP2	Spindle encoder cable											
		When connecting to a spindle motor			When connecting to a spindle side encoder								
		Motor side PLG cable			Spindle side accuracy encoder TS5690 cable			Spindle side encoder OSE-1024 cable					
		Cable	Single connector		Cable	Single connector		Cable		Single connector			
Drive unit side	Encoder side		Drive unit side	Encoder side		Straight	Right angle	Drive unit side	Encoder side				
										Straight	Right angle		
SJ-DL Series (Low-inertia)	SJ-DL0.75/100-01	20	20										
	SJ-DL1.5/100-01	40	40										
	SJ-DL3.7/240-01T	200	—										
	SJ-DL5.5/150-01T	160	16080 (L)										
	SJ-DL5.5/200-01T												
	SJ-DL5.5/240-05T	200	—										
	SJ-DL7.5/150-01T	160	16080 (L)										
SJ-DL Series (Hollow shaft)	SJ-DL0.75/100-01T-S	20	20										
	SJ-DL1.5/100-01T-S	40	40										
	SJ-DL3.7/240-01T-S	200	—										
	SJ-DL5.5/150-01T-S	160	16080 (L)										
	SJ-DL5.5/200-01T-S												
SJ-DL7.5/150-01T-S	160	16080 (L)											
SJ-DM Series (Magnet specifications)	SJ-DM11/120-01T	320	—	CNP2E-1-□IM □ : Length (m) 2, 3, 4, 5, 7, 10, 15, 20, 25, 30	CNU2S (AWG18)	CNEPGS	CNP2E-1-□IM □ : Length (m) 2, 3, 4, 5, 7, 10, 15, 20, 25, 30	CNU2S (AWG18)	CNEPGS	CNP3EZ-2P-□IM □ : Length (m) 2, 3, 4, 5, 7, 10, 15, 20, 25, 30	CNP3EZ-3P-□IM □ : Length (m) 2, 3, 4, 5, 7, 10, 15, 20, 25, 30	CNE20-29S (10) Applicable cable outline ø6.8 to 10 (mm)	CNE20-29L (10) Applicable cable outline ø6.8 to 10 (mm)
SJ-DN Series (High-torque specifications)	SJ-DN7.5/80-01	160	16080 (L)										
	SJ-DN11/80-01	200	—										
	SJ-DN15/80-01	200	—										
SJ-V Series (Normal)	SJ-V2.2-01T	40	40										
	SJ-V3.7-02ZT	80	80										
	SJ-V15-09ZT	200	—										
	SJ-V18.5-01ZT												
	SJ-V18.5-04ZT	240	—										
	SJ-V22-01ZT												
	SJ-V22-04ZT												
	SJ-V22-06ZT	240	—										
	SJ-V26-01ZT	320	—										
	SJ-V37-01ZT	400	—										
SJ-V45-01ZT	640	—											
SJ-V55-01ZT													
SJ-V Series (Wide range constant output)	SJ-V11-01T	160	16080 (L)										
	SJ-V11-09T												
	SJ-V15-03T	200	—										
	SJ-V18.5-03T	240	—										
	SJ-V22-05T	320	—										
SJ-V22-09T													
SJ-VK22-19ZT													
SJ-VL Series (Low-inertia)	SJ-VL2.2-02ZT	40	40										
	SJ-VL11-02FZT	160	16080 (L)										
	SJ-VL11-05FZT-S01												

DRIVE SYSTEM DEDICATED OPTIONS/CABLES

DRIVE SYSTEM DEDICATED OPTIONS/CABLES

■MDS-EM Series Power Cable/Connector and Brake Cable/Connector for Servo Motor Selection List

Servo motor type	Drive unit type MDS-EM-SPV3	Power Cable		Brake Cable			
		Single connector	Cable		Cable		
			Motor side	Motor side	Motor side	Motor side	
		Drive unit side	Lead out in direction of motor shaft	Lead out in opposite direction of motor shaft	Lead out in direction of motor shaft	Lead out in opposite direction of motor shaft	
HG Series	HG96	10040 16040 16040S	- All axes CNU01SEF(AWG14) - L-axis only CNU01SEL(AWG14) - M-axis only CNU01SEM(AWG14) - S-axis only CNU01SES(AWG14)	MR-PWS1CBL □ M-A1-H □ : Length (m) 2, 3, 5, 7, 10	MR-PWS1CBL □ M-A2-H □ : Length (m) 2, 3, 5, 7, 10	MR-BKS1CBL □ M-A1-H □ : Length (m) 2, 3, 5, 7, 10	MR-BKS1CBL □ M-A2-H □ : Length (m) 2, 3, 5, 7, 10

Servo motor type	Drive unit type MDS-EM-SPV3	Power Connector		Brake Connector													
		Drive unit side	Motor side		Motor side												
			Straight	Right angle	Straight	Right angle											
HG Series	HG75□-S105010 HG105□-S105010 HG75 HG105 HG123 HG142 HG54 HG104 HG223 HG302 HG154 HG224 HG204 HG303 HG354 HG453 HG702	10040 16040 16040S	- All axes CNU01SEF (AWG14) - L-axis only CNU01SEL (AWG14) - M-axis only CNU01SEM (AWG14) - S-axis only CNU01SES (AWG14)	CNP14-2S (12) Applicable cable outline ø10 to 12 (mm)	CNP14-2L (12) Applicable cable outline ø10 to 12 (mm)	CNP18-10S (14) Applicable cable outline ø10.5 to 14 (mm)	CNP18-10L (14) Applicable cable outline ø10.5 to 14 (mm)	CNP22-22S (16) Applicable cable outline ø12.5 to 16 (mm)	CNP22-22L (16) Applicable cable outline ø12.5 to 16 (mm)	CNP18-10S (14) Applicable cable outline ø10.5 to 14 (mm)	CNP18-10L (14) Applicable cable outline ø10.5 to 14 (mm)	CNP22-22S (16) Applicable cable outline ø12.5 to 16 (mm)	CNP22-22L (16) Applicable cable outline ø12.5 to 16 (mm)	CNP32-17S (23) Applicable cable outline ø22 to 23.8 (mm)	CNP32-17L (23) Applicable cable outline ø22 to 23.8 (mm)	CNB10-R2S (6) CNB10S-R2S (6) Applicable cable outline ø4.0 to 6.0 (mm)	CNB10-R2L (6) CNB10S-R2L (6) Applicable cable outline ø4.0 to 6.0 (mm)

Servo motor type	Drive unit type MDS-EM-SPV3	Power Connector		Brake Connector					
		Drive unit side	Motor side		Motor side				
			Straight	Right angle	Straight	Right angle			
HK Series	HK76 HK105 HK55 HK104 HK123 HK142 HK154 HK223 HK224 HK204 HK302 HK303 HK354 HK453 HK702	10040 16040 10040 16040 10080 16080 20080 10040 16040 10080 16080 20080 10040 16040 10080 16080 20080 10080 16080 20080 200120 320120 10040 16040 10080 16080 20080 200120 320120	- All axes CNU01SEF (AWG14) - L-axis only CNU01SEL (AWG14) - M-axis only CNU01SEM (AWG14) - S-axis only CNU01SES (AWG14)	CNAP18-10S (11) Applicable cable outline ø8.0 to 11.0 (mm) CNAP18-10S (14) Applicable cable outline ø11.0 to 14.1 (mm)	CNAP18-10L (11) Applicable cable outline ø8.0 to 11.0 (mm) CNAP18-10L (14) Applicable cable outline ø11.0 to 14.1 (mm)	CNAP22-22S (13) Applicable cable outline ø9.5 to 13.0 (mm) CNAP22-22S (16) Applicable cable outline ø12.9 to 16.0 (mm)	CNAP22-22L (13) Applicable cable outline ø9.5 to 13.0 (mm) CNAP22-22L (16) Applicable cable outline ø12.9 to 16.0 (mm)	CNB10-R2S (6) CNB10S-R2S (6) Applicable cable outline ø4.0 to 6.0 (mm)	CNB10-R2L (6) CNB10S-R2L (6) Applicable cable outline ø4.0 to 6.0 (mm)

■MDS-EM Series Encoder Cable and Connector for Servo Motor Selection List

Servo motor type	Drive unit type MDS-EM-SPV3	Servo encoder cable									
		Motor side encoder cable				Ball screw side encoder cable					
		Cable (for D47/D48/D51)		Single connector		Cable		Single connector			
		Straight	Right angle	Drive unit side	Motor side	Straight	Right angle	Straight	Right angle		
HG Series	HG96 HG75 HG105 HG123 HG142 HG54 HG104 HG223 HG302 HG154 HG224 HG204 HG303 HG354 HG453 HG702	10040 16040 16040S	CNV2E-8P-□M □ : Length (m) 2, 3, 4, 5, 7, 10, 15, 20, 25, 30	CNV2E-9P-□M □ : Length (m) 2, 3, 4, 5, 7, 10, 15, 20, 25, 30	CNU2S (AWG18)	CNE10-R10S (9) CNE10S-R10S (9) Applicable cable outline ø6.0 to 9.0 (mm)	CNE10-R10L (9) CNE10S-R10L (9) Applicable cable outline ø6.0 to 9.0 (mm)	CNV2E-8P-□M □ : Length (m) 2, 3, 4, 5, 7, 10, 15, 20, 25, 30	CNV2E-9P-□M □ : Length (m) 2, 3, 4, 5, 7, 10, 15, 20, 25, 30	CNE10-R10S (9) CNE10S-R10S (9) Applicable cable outline ø6.0 to 9.0 (mm)	CNE10-R10L (9) CNE10S-R10L (9) Applicable cable outline ø6.0 to 9.0 (mm)

Servo motor type	Drive unit type MDS-EM-SPV3	Servo encoder cable									
		Motor side encoder cable				Ball screw side encoder cable					
		Cable (for G48)		Single connector		Cable		Single connector			
		Straight	Right angle	Drive unit side	Motor side	Straight	Right angle	Straight	Right angle		
HK Series	HK76 HK105 HK55 HK104 HK123 HK142 HK154 HK223 HK224 HK204 HK302 HK303 HK354 HK453 HK702	10040 16040 10080 16080 20080 10040 16040 10080 16080 20080 10080 16080 20080 200120 320120	CNV2E-8P-□M □ : Length (m) 2, 3, 4, 5, 7, 10, 15, 20, 25, 30	CNV2E-9P-□M □ : Length (m) 2, 3, 4, 5, 7, 10, 15, 20, 25, 30	CNU2S (AWG18)	CNE10-R10S (9) CNE10S-R10S (9) Applicable cable outline ø6.0 to 9.0 (mm)	CNE10-R10L (9) CNE10S-R10L (9) Applicable cable outline ø6.0 to 9.0 (mm)	CNV2E-8P-□M □ : Length (m) 2, 3, 4, 5, 7, 10, 15, 20, 25, 30	CNV2E-9P-□M □ : Length (m) 2, 3, 4, 5, 7, 10, 15, 20, 25, 30	CNE10-R10S (9) CNE10S-R10S (9) Applicable cable outline ø6.0 to 9.0 (mm)	CNE10-R10L (9) CNE10S-R10L (9) Applicable cable outline ø6.0 to 9.0 (mm)

■ MDS-EM Series Power Connector, Encoder Cable, and Connector for Spindle Motor Selection List

Spindle motor type	Drive unit type MDS-EM-SPV3	Power Connector		Spindle encoder cable																								
		Drive unit side	Motor side	When connecting to a spindle motor		When connecting to a spindle side encoder																						
				Motor side PLG cable		Spindle side accuracy encoder TS5690 cable				Spindle side encoder OSE-1024 cable																		
				Cable	Single connector Drive unit side Encoder side	Cable	Single connector Drive unit side Encoder side	Cable		Single connector		Drive unit side	Encoder side															
Straight	Right angle	Straight	Right angle																									
SJ-D Series (Normal)	SJ-D5.5/100-01 SJ-D5.5/120-01	Terminal block connection	Terminal block connection	□ : Length (m) 2, 3, 4, 5, 7, 10, 15, 20, 25, 30	CNU2S (AWG18)	CNEPGS	□ : Length (m) 2, 3, 4, 5, 7, 10, 15, 20, 25, 30	CNU2S (AWG18)	CNEPGS	□ : Length (m) 2, 3, 4, 5, 7, 10, 15, 20, 25, 30	□ : Length (m) 2, 3, 4, 5, 7, 10, 15, 20, 25, 30	CNU2S (AWG18)	CNE20-29S (10) Applicable cable outline ø6.8 to 10 (mm)	CNE20-29L (10) Applicable cable outline ø6.8 to 10 (mm)														
	SJ-D5.5/100-02 SJ-D5.5/120-02																											
	SJ-D7.5/100-01 SJ-D7.5/120-01																											
	SJ-D11/100-01																											
	SJ-D15/80-01																											
	SJ-D18.5/80-01																											
	SJ-D22/80-01																											
	SJ-D26/80-01																											
	SJ-D Series (Hollow shaft)														SJ-D5.5/100-01T-S SJ-D5.5/120-01T-S	Terminal block connection	Terminal block connection	□ : Length (m) 2, 3, 4, 5, 7, 10, 15, 20, 25, 30	CNU2S (AWG18)	CNEPGS	□ : Length (m) 2, 3, 4, 5, 7, 10, 15, 20, 25, 30	CNU2S (AWG18)	CNEPGS	□ : Length (m) 2, 3, 4, 5, 7, 10, 15, 20, 25, 30	□ : Length (m) 2, 3, 4, 5, 7, 10, 15, 20, 25, 30	CNU2S (AWG18)	CNE20-29S (10) Applicable cable outline ø6.8 to 10 (mm)	CNE20-29L (10) Applicable cable outline ø6.8 to 10 (mm)
															SJ-D5.5/120-02T-S													
SJ-D7.5/100-01T-S SJ-D7.5/120-01T-S																												
SJ-D11/100-01T-S																												
SJ-DG Series (High output)		SJ-DG3.7/120-03T SJ-DG5.5/120-04T SJ-DG7.5/120-05T	Terminal block connection	Terminal block connection	□ : Length (m) 2, 3, 4, 5, 7, 10, 15, 20, 25, 30	CNU2S (AWG18)	CNEPGS	□ : Length (m) 2, 3, 4, 5, 7, 10, 15, 20, 25, 30	CNU2S (AWG18)	CNEPGS	□ : Length (m) 2, 3, 4, 5, 7, 10, 15, 20, 25, 30	□ : Length (m) 2, 3, 4, 5, 7, 10, 15, 20, 25, 30	CNU2S (AWG18)	CNE20-29S (10) Applicable cable outline ø6.8 to 10 (mm)	CNE20-29L (10) Applicable cable outline ø6.8 to 10 (mm)													
		SJ-DG11/100-03T																										
		SJ-DG11/120-03T																										
		SJ-DG11/120-12T-K																										
		SJ-DG11/150-06T																										
		SJ-DG11/150-15T-K																										
	SJ-DG15/120-02T-K																											
	SJ-DG Series (Hollow shaft)	SJ-DG3.7/120-03T-S SJ-DG5.5/120-04T-S SJ-DG7.5/120-05T-S														Terminal block connection	Terminal block connection	□ : Length (m) 2, 3, 4, 5, 7, 10, 15, 20, 25, 30	CNU2S (AWG18)	CNEPGS	□ : Length (m) 2, 3, 4, 5, 7, 10, 15, 20, 25, 30	CNU2S (AWG18)	CNEPGS	□ : Length (m) 2, 3, 4, 5, 7, 10, 15, 20, 25, 30	□ : Length (m) 2, 3, 4, 5, 7, 10, 15, 20, 25, 30	CNU2S (AWG18)	CNE20-29S (10) Applicable cable outline ø6.8 to 10 (mm)	CNE20-29L (10) Applicable cable outline ø6.8 to 10 (mm)
		SJ-DG11/100-03T-S																										
		SJ-DG11/120-03T-S																										
SJ-DG11/120-12T-KS																												
SJ-DG11/150-06T-S																												
SJ-DG11/150-15T-KS																												
SJ-DG15/120-02T-KS																												

Spindle motor type	Drive unit type MDS-EM-SPV3	Power Connector		Spindle encoder cable											
		Drive unit side	Motor side	When connecting to a spindle motor		When connecting to a spindle side encoder									
				Motor side PLG cable		Spindle side accuracy encoder TS5690 cable				Spindle side encoder OSE-1024 cable					
				Cable	Single connector Drive unit side Encoder side	Cable	Single connector Drive unit side Encoder side	Cable		Single connector		Drive unit side	Encoder side		
Straight	Right angle	Straight	Right angle												
SJ-DJ Series (Compact & lightweight)	SJ-DJ5.5/100-01 SJ-DJ5.5/120-01	Terminal block connection	Terminal block connection	□ : Length (m) 2, 3, 4, 5, 7, 10, 15, 20, 25, 30	CNU2S (AWG18)	CNEPGS	□ : Length (m) 2, 3, 4, 5, 7, 10, 15, 20, 25, 30	CNU2S (AWG18)	CNEPGS	□ : Length (m) 2, 3, 4, 5, 7, 10, 15, 20, 25, 30	□ : Length (m) 2, 3, 4, 5, 7, 10, 15, 20, 25, 30	CNU2S (AWG18)	CNE20-29S (10) Applicable cable outline ø6.8 to 10 (mm)	CNE20-29L (10) Applicable cable outline ø6.8 to 10 (mm)	
	SJ-DJ7.5/100-01 SJ-DJ7.5/120-01														
	SJ-DJ11/100-01														
	SJ-DJ15/80-01														
	SJ-DJ15/80-01														
SJ-DL Series (Low-inertia)	SJ-DL3.7/240-01T SJ-DL5.5/150-01T	Terminal block connection	Terminal block connection	□ : Length (m) 2, 3, 4, 5, 7, 10, 15, 20, 25, 30	CNU2S (AWG18)	CNEPGS	□ : Length (m) 2, 3, 4, 5, 7, 10, 15, 20, 25, 30	CNU2S (AWG18)	CNEPGS	□ : Length (m) 2, 3, 4, 5, 7, 10, 15, 20, 25, 30	□ : Length (m) 2, 3, 4, 5, 7, 10, 15, 20, 25, 30	CNU2S (AWG18)	CNE20-29S (10) Applicable cable outline ø6.8 to 10 (mm)	CNE20-29L (10) Applicable cable outline ø6.8 to 10 (mm)	
	SJ-DL5.5/240-05T														
	SJ-DL7.5/150-01T														
	SJ-DL7.5/150-01T-S														
SJ-DL Series (Hollow shaft)	SJ-DL3.7/240-01T-S SJ-DL5.5/240-05T-S	Terminal block connection	Terminal block connection	□ : Length (m) 2, 3, 4, 5, 7, 10, 15, 20, 25, 30	CNU2S (AWG18)	CNEPGS	□ : Length (m) 2, 3, 4, 5, 7, 10, 15, 20, 25, 30	CNU2S (AWG18)	CNEPGS	□ : Length (m) 2, 3, 4, 5, 7, 10, 15, 20, 25, 30	□ : Length (m) 2, 3, 4, 5, 7, 10, 15, 20, 25, 30	CNU2S (AWG18)	CNE20-29S (10) Applicable cable outline ø6.8 to 10 (mm)	CNE20-29L (10) Applicable cable outline ø6.8 to 10 (mm)	
	SJ-DL7.5/150-01T-S														
SJ-DM Series (Magnet specifications)	SJ-DM11/120-01T	Terminal block connection	Terminal block connection	□ : Length (m) 2, 3, 4, 5, 7, 10, 15, 20, 25, 30	CNU2S (AWG18)	CNEPGS	□ : Length (m) 2, 3, 4, 5, 7, 10, 15, 20, 25, 30	CNU2S (AWG18)	CNEPGS	□ : Length (m) 2, 3, 4, 5, 7, 10, 15, 20, 25, 30	□ : Length (m) 2, 3, 4, 5, 7, 10, 15, 20, 25, 30	CNU2S (AWG18)	CNE20-29S (10) Applicable cable outline ø6.8 to 10 (mm)	CNE20-29L (10) Applicable cable outline ø6.8 to 10 (mm)	
SJ-DN Series (High-torque specifications)	SJ-DN7.5/80-01 SJ-DN11/80-01	Terminal block connection	Terminal block connection	□ : Length (m) 2, 3, 4, 5, 7, 10, 15, 20, 25, 30	CNU2S (AWG18)	CNEPGS	□ : Length (m) 2, 3, 4, 5, 7, 10, 15, 20, 25, 30	CNU2S (AWG18)	CNEPGS	□ : Length (m) 2, 3, 4, 5, 7, 10, 15, 20, 25, 30	□ : Length (m) 2, 3, 4, 5, 7, 10, 15, 20, 25, 30	CNU2S (AWG18)	CNE20-29S (10) Applicable cable outline ø6.8 to 10 (mm)	CNE20-29L (10) Applicable cable outline ø6.8 to 10 (mm)	
	SJ-DN15/80-01														
SJ-V Series (Normal)	SJ-V15-09ZT SJ-V18.5-01ZT	Terminal block connection	Terminal block connection	□ : Length (m) 2, 3, 4, 5, 7, 10, 15, 20, 25, 30	CNU2S (AWG18)	CNEPGS	□ : Length (m) 2, 3, 4, 5, 7, 10, 15, 20, 25, 30	CNU2S (AWG18)	CNEPGS	□ : Length (m) 2, 3, 4, 5, 7, 10, 15, 20, 25, 30	□ : Length (m) 2, 3, 4, 5, 7, 10, 15, 20, 25, 30	CNU2S (AWG18)	CNE20-29S (10) Applicable cable outline ø6.8 to 10 (mm)	CNE20-29L (10) Applicable cable outline ø6.8 to 10 (mm)	
	SJ-V15-09T														
SJ-V Series (Wide range constant output)	SJ-V11-01T SJ-V11-09T	Terminal block connection	Terminal block connection	□ : Length (m) 2, 3, 4, 5, 7, 10, 15, 20, 25, 30	CNU2S (AWG18)	CNEPGS	□ : Length (m) 2, 3, 4, 5, 7, 10, 15, 20, 25, 30	CNU2S (AWG18)	CNEPGS	□ : Length (m) 2, 3, 4, 5, 7, 10, 15, 20, 25, 30	□ : Length (m) 2, 3, 4, 5, 7, 10, 15, 20, 25, 30	CNU2S (AWG18)	CNE20-29S (10) Applicable cable outline ø6.8 to 10 (mm)	CNE20-29L (10) Applicable cable outline ø6.8 to 10 (mm)	
	SJ-V15-03T														
SJ-VL Series (Hollow shaft)	SJ-VL11-02FZT SJ-VL11-05FZT-S01	Terminal block connection	Terminal block connection	□ : Length (m) 2, 3, 4, 5, 7, 10, 15, 20, 25, 30	CNU2S (AWG18)	CNEPGS	□ : Length (m) 2, 3, 4, 5, 7, 10, 15, 20, 25, 30	CNU2S (AWG18)	CNEPGS	□ : Length (m) 2, 3, 4, 5, 7, 10, 15, 20, 25, 30	□ : Length (m) 2, 3, 4, 5, 7, 10, 15, 20, 25, 30	CNU2S (AWG18)	CNE20-29S (10) Applicable cable outline ø6.8 to 10 (mm)	CNE20-29L (10) Applicable cable outline ø6.8 to 10 (mm)	
	SJ-VL11-02FZT														

■MDS-EJ Series Power Cable/Connector and Brake Cable/Connector for Servo Motor Selection List

Servo motor type	Drive unit type MDS-EJ-		Drive unit side	Power Cable		Brake Cable		
	V1	V2		Single connector	Cable		Cable	
					Motor side		Motor side	
				Lead out in direction of motor shaft	Lead out in opposite direction of motor shaft	Lead out in direction of motor shaft	Lead out in opposite direction of motor shaft	
HG Series	HG46	10	—	Supplied for each drive unit	MR-PWS1CBL □ M-A1-H □ : Length (m) 2, 3, 5, 7, 10	MR-PWS1CBL □ M-A2-H □ : Length (m) 2, 3, 5, 7, 10	MR-BKS1CBL □ M-A1-H □ : Length (m) 2, 3, 5, 7, 10	MR-BKS1CBL □ M-A2-H □ : Length (m) 2, 3, 5, 7, 10
	HG56	15	—					
	HG96	30	30					

Servo motor type	Drive unit type MDS-EJ-		Drive unit side	Power Connector		Brake Connector		
	V1	V2		Motor side		Motor side		
				Straight	Right angle	Straight	Right angle	
HG Series	HG75□-S105010	30	30	Supplied for each drive unit	CNP14-2S (12) Applicable cable outline ø10 to 12 (mm)	CNP14-2L (12) Applicable cable outline ø10 to 12 (mm)	CNB10-R2S (6) CNB10S-R2S (6) Applicable cable outline ø4.0 to 6.0 (mm)	CNB10-R2L (6) CNB10S-R2L (6) Applicable cable outline ø4.0 to 6.0 (mm)
	HG105□-S105010							
	HG75							
	HG105							
	HG54							
	HG104	40	40		CNP18-10S (14) Applicable cable outline ø10.5 to 14 (mm)	CNP18-10L (14) Applicable cable outline ø10.5 to 14 (mm)		
	HG123							
	HG142							
	HG223							
	HG302							
HG154	80	—	CNP18-10S (14) Applicable cable outline ø10.5 to 14 (mm)	CNP18-10L (14) Applicable cable outline ø10.5 to 14 (mm)				
HG224								
HG204								
HG303								
HG354			100	—	CNP22-22S (16) Applicable cable outline ø12.5 to 16 (mm)	CNP22-22L (16) Applicable cable outline ø12.5 to 16 (mm)		

Servo motor type	Drive unit type MDS-EJ-		Drive unit side	Power Connector		Brake Connector				
	V1	V2		Motor side		Motor side				
				Straight	Right angle	Straight	Right angle			
HK Series	HK76	30	30	Supplied for each drive unit	CNAP18-10S (11) Applicable cable outline ø8.0 to 11.0 (mm)	CNAP18-10L (11) Applicable cable outline ø8.0 to 11.0 (mm)	CNB10-R2S (6) CNB10S-R2S (6) Applicable cable outline ø4.0 to 6.0 (mm)	CNB10-R2L (6) CNB10S-R2L (6) Applicable cable outline ø4.0 to 6.0 (mm)		
	HK55									
	HK104									
	HK123				40	40			CNAP18-10S (14) Applicable cable outline ø11.0 to 14.1 (mm)	CNAP18-10L (14) Applicable cable outline ø11.0 to 14.1 (mm)
	HK142									
	HK154									
	HK223									
	HK224									
	HK204	80	—		CNAP22-22S (13) Applicable cable outline ø9.5 to 13.0 (mm)	CNAP22-22L (13) Applicable cable outline ø9.5 to 13.0 (mm)				
	HK302									
HK303										
HK354	100			—	CNAP22-22S (16) Applicable cable outline ø12.9 to 16.0 (mm)	CNAP22-22L (16) Applicable cable outline ø12.9 to 16.0 (mm)				

■MDS-EJ Series Encoder Cable and Connector for Servo Motor Selection List

Servo motor type	Drive unit type MDS-EJ-	Servo encoder cable												
		Drive unit side		Motor side encoder cable				Ball screw side encoder cable						
		V1	V2	Cable (for D47/D48/D51)		Single connector		Ball screw side encoder (OSA405ET2AS)		Single connector				
				Straight	Right angle	Straight	Right angle	Straight	Right angle	Straight	Right angle			
HG Series	HG46	10	—	CNU2S (AWG18)	2, 3, 4, 5, 7, 10, 15, 20, 25, 30	2, 3, 4, 5, 7, 10, 15, 20, 25, 30	CNE10-R10S (9) CNE10S-R10S (9) Applicable cable outline ø6.0 to 9.0 (mm)	CNE10-R10L (9) CNE10S-R10L (9) Applicable cable outline ø6.0 to 9.0 (mm)	CNV2E-8P-□M □ : Length (m)	CNV2E-9P-□M □ : Length (m)	CNE10-R10S (9) CNE10S-R10S (9) Applicable cable outline ø6.0 to 9.0 (mm)	CNE10-R10L (9) CNE10S-R10L (9) Applicable cable outline ø6.0 to 9.0 (mm)		
	HG56	15	—											
	HG96	30	30											
	HG75													
	HG105													
	HG54													
	HG104													
	HG123	40	40											
	HG142													
	HG223													
	HG302													
	HG154												80	—
	HG224													
	HG204													
	HG303													
HG354	100	—												

Servo motor type	Drive unit type MDS-EJ-	Servo encoder cable														
		Drive unit side		Motor side encoder cable				Ball screw side encoder cable								
		V1	V2	Cable (for G48)		Single connector		Ball screw side encoder (OSA405ET2AS)		Single connector						
				Straight	Right angle	Straight	Right angle	Straight	Right angle	Straight	Right angle					
HK Series	HK76	30	30	CNU2S (AWG18)	2, 3, 4, 5, 7, 10, 15, 20, 25, 30	2, 3, 4, 5, 7, 10, 15, 20, 25, 30	CNE10-R10S (9) CNE10S-R10S (9) Applicable cable outline ø6.0 to 9.0 (mm)	CNE10-R10L (9) CNE10S-R10L (9) Applicable cable outline ø6.0 to 9.0 (mm)	CNV2E-8P-□M □ : Length (m)	CNV2E-9P-□M □ : Length (m)	CNE10-R10S (9) CNE10S-R10S (9) Applicable cable outline ø6.0 to 9.0 (mm)	CNE10-R10L (9) CNE10S-R10L (9) Applicable cable outline ø6.0 to 9.0 (mm)				
	HK55															
	HK104															
	HK123												40	40		
	HK142															
	HK154															
	HK223															
	HK224															
	HK204	80	—													
	HK302															
HK303																
HK354	100			—												

■MDS-EJ Series Power Connector, Encoder Cable, and Connector for Spindle Motor Selection List

Spindle motor type	Drive unit type MDS-EJ-SP	Power Cable When connecting to a spindle motor	Motor side	Spindle encoder cable																			
				When connecting to a spindle motor		When connecting to a spindle side encoder																	
				Motor side PLG cable		Spindle side accuracy encoder TS5690 cable				Spindle side encoder OSE-1024 cable													
				Cable	Single connector	Cable	Single connector	Cable	Single connector	Cable	Single connector	Drive unit side	Encoder side										
SJ-D Series (Normal)	SJ-D3.7/100-01	80	Supplied for each drive unit																				
	SJ-D5.5/100-01	100	Terminal block connection																				
	SJ-D5.5/120-01																						
	SJ-D7.5/100-01			120																			
	SJ-D7.5/120-01																						
	SJ-D11/100-01				160																		
SJ-D Series (Hollow shaft)	SJ-D3.7/100-01T-S	80	Supplied for each drive unit																				
	SJ-D5.5/100-01T-S	100	Terminal block connection																				
	SJ-D5.5/120-01T-S																						
	SJ-D7.5/100-01T-S			120																			
	SJ-D7.5/120-01T-S																						
	SJ-D11/100-01T-S				160																		
SJ-DJ Series (Compact & lightweight)	SJ-DJ5.5/100-01	100	Terminal block connection																				
	SJ-DJ5.5/120-01	120																					
	SJ-DJ7.5/100-01																						
	SJ-DJ7.5/120-01																						
SJ-DJ11/100-01	160																						
SJ-DL Series (Low inertia)	SJ-DL0.75/100-01	40																					
	SJ-DL1.5/100-01	80																					
SJ-DL Series (Hollow shaft)	SJ-DL0.75/100-01T-S	40																					
	SJ-DL1.5/100-01T-S	80																					

■MDS-EH Series Power Connector and Brake Connector for Servo Motor Selection List

Servo motor type	Drive unit type MDS-EH-			Power Connector				Brake Connector					
	V1	V2	V3	Drive unit side	Motor side		Drive unit side	Motor side					
					Straight	Right angle		Straight	Right angle				
HG-H Series	HG-H75□-S105010	10	10	—	- All axes CNU01SEF (AWG14) - L-axis only CNU01SEL (AWG14) - M-axis only CNU01SEM (AWG14) - S-axis only CNU01SES (AWG14)	CNP14-2S (12) Applicable cable outline ø10 to 12 (mm)	CNP14-2L (12) Applicable cable outline ø10 to 12 (mm)	CNU23S (AWG14)	CNB10-R2S (6) CNB10S-R2S (6) Applicable cable outline ø4.0 to 6.0 (mm)	CNB10-R2L (6) CNB10S-R2L (6) Applicable cable outline ø4.0 to 6.0 (mm)			
	HG-H105□-S105010					20	20				40	CNP18-10S (14) Applicable cable outline ø10.5 to 14 (mm)	CNP18-10L (14) Applicable cable outline ø10.5 to 14 (mm)
	HG-H75					20	20				40	CNP22-22S (16) Applicable cable outline ø12.5 to 16 (mm)	CNP22-22L (16) Applicable cable outline ø12.5 to 16 (mm)
	HG-H105												
	HG-H54	40	40	80		CNP32-17S (23) Applicable cable outline ø22 to 23.8 (mm)	CNP32-17L (23) Applicable cable outline ø22 to 23.8 (mm)						
	HG-H104												
	HG-H154	40	40	80		Terminal block connection	Terminal block connection						
	HG-H224												
	HG-H204	80	80	80W		CNP32-17S (23) Applicable cable outline ø22 to 23.8 (mm)	CNP32-17L (23) Applicable cable outline ø22 to 23.8 (mm)						
	HG-H354												
HG-H453	80W	80W	160	CNP32-17S (23) Applicable cable outline ø22 to 23.8 (mm)	CNP32-17L (23) Applicable cable outline ø22 to 23.8 (mm)								
HG-H703													
HG-H903	160	160	—										
HQ-H Series	HQ-H903	160W	—										
	HQ-H1103	160W	—										

Servo motor type	Drive unit type MDS-EH-			Power Connector				Brake Connector		
	V1	V2	V3	Drive unit side	Motor side		Drive unit side	Motor side		
					Straight	Right angle		Straight	Right angle	
HK-H Series	HK-H76	10	10	—	- All axes CNU01SEF (AWG14) - L-axis only CNU01SEL (AWG14) - M-axis only CNU01SEM (AWG14) - S-axis only CNU01SES (AWG14)	CNAP18-10S (11) Applicable cable outline ø8.0 to 11.0 (mm) CNAP18-10S (14) Applicable cable outline ø11.0 to 14.1 (mm)	CNAP18-10L (11) Applicable cable outline ø8.0 to 11.0 (mm) CNAP18-10L (14) Applicable cable outline ø11.0 to 14.1 (mm)	CNU23S (AWG14)	CNB10-R2S (6) CNB10S-R2S (6) Applicable cable outline ø4.0 to 6.0 (mm)	CNB10-R2L (6) CNB10S-R2L (6) Applicable cable outline ø4.0 to 6.0 (mm)
	HK-H105									
	HK-H55	20	20	40						
	HK-H104									
	HK-H123	10	10	—						
	HK-H154									
	HK-H223	20	20	40						
	HK-H224									
	HK-H204	40	40	80						
	HK-H302									
	HK-H303	40	40	80						
	HK-H354									
	HK-H453	80	80	80W						
	HK-H603									
HK-H702	80W	80W	160							
HK-H703										

■MDS-EH Series Encoder Cable and Connector for Servo Motor Selection List

Servo motor type	Drive unit type MDS-EH-	Servo encoder cable											
		Motor side encoder cable					Ball screw side encoder cable						
		Cable (for D48/D51/D74)		Single connector			Ball screw side encoder (OSA405ET2AS/OSA676ET2AS)						
		V1	V2	V3	Straight	Right angle	Drive unit side	Motor side		Cable		Single connector	
HG Series	HG-H75	10	10	—	CNV2E-8P-□M □ : Length (m) 2, 3, 4, 5, 7, 10, 15, 20, 25, 30	CNV2E-9P-□M □ : Length (m) 2, 3, 4, 5, 7, 10, 15, 20, 25, 30	CNU2S (AWG18)	CNE10-R10S (9) CNE10S-R10S (9) Applicable cable outline ø6.0 to 9.0 (mm)	CNE10-R10L (9) CNE10S-R10L (9) Applicable cable outline ø6.0 to 9.0 (mm)	CNV2E-8P-□M □ : Length (m) 2, 3, 4, 5, 7, 10, 15, 20, 25, 30	CNV2E-9P-□M □ : Length (m) 2, 3, 4, 5, 7, 10, 15, 20, 25, 30	CNE10-R10S (9) CNE10S-R10S (9) Applicable cable outline ø6.0 to 9.0 (mm)	CNE10-R10L (9) CNE10S-R10L (9) Applicable cable outline ø6.0 to 9.0 (mm)
	HG-H105	10	20	—									
	HG-H54	20	20	40									
	HG-H104	20	40	—									
	HG-H154	40	40	—									
	HG-H224	40	80	—									
	HG-H204	80	80	—									
	HG-H354	80	80W	—									
HG-H453	80W	80W	160										
HG-H703	80W	160	—										
HG-H903	160	160	—										
HG-H1502	200	—	—	MR-ENE4CBL □ M-H-MTH □ : Length (m) 5, 10, 20, 30	—	—	CNE20-29S (10) Applicable cable outline ø6.8 to 10 (mm)	—	2, 3, 4, 5, 7, 10, 15, 20, 25, 30	2, 3, 4, 5, 7, 10, 15, 20, 25, 30	Applicable cable outline ø6.0 to 9.0 (mm)	Applicable cable outline ø6.0 to 9.0 (mm)	
HQ Series	HQ-H903	160	160	—	CNV2E-8P-□M □ : Length (m) 2, 3, 4, 5, 7, 10, 15, 20, 25, 30	CNV2E-9P-□M □ : Length (m) 2, 3, 4, 5, 7, 10, 15, 20, 25, 30	—	CNE10-R10S (9) CNE10S-R10S (9) Applicable cable outline ø6.0 to 9.0 (mm)	CNE10-R10L (9) CNE10S-R10L (9) Applicable cable outline ø6.0 to 9.0 (mm)	—	—	—	—
	HQ-H1103	160W	—	—	—	—	—	—	—	—	—	—	—

■MDS-EH Series Encoder Cable and Connector for Spindle Motor Selection List

Spindle motor type	Drive unit type MDS-EH-	Spindle encoder cable											
		When connecting to a spindle motor			When connecting to a spindle side encoder								
		Motor side PLG cable			Spindle side accuracy encoder TS5690 cable			Spindle side encoder OSE-1024 cable					
		Cable	Single connector		Cable	Single connector		Cable		Single connector			
SJ-4-V Series (Normal)	SJ-4-V2.2-03T	20	—	—	—	—	—	—	—	—	—	—	—
	SJ-4-V3.7-03T	—	—	—	—	—	—	—	—	—	—	—	—
	SJ-4-V5.5-07T	40	—	—	—	—	—	—	—	—	—	—	—
	SJ-4-V7.5-12T	—	—	—	—	—	—	—	—	—	—	—	—
	SJ-4-V7.5-13ZT	—	—	—	—	—	—	—	—	—	—	—	—
	SJ-4-V11-18T	80	—	—	—	—	—	—	—	—	—	—	—
	SJ-4-V18.5-14T	100	—	—	—	—	—	—	—	—	—	—	—
	SJ-4-V22-18ZT	—	—	—	—	—	—	—	—	—	—	—	—
	SJ-4-V22-15T	160	—	—	—	—	—	—	—	—	—	—	—
	SJ-4-V26-08ZT	—	—	—	—	—	—	—	—	—	—	—	—
	SJ-4-V37-04ZT	200	—	—	—	—	—	—	—	—	—	—	—
	SJ-4-V45-02T	—	—	—	—	—	—	—	—	—	—	—	—
SJ-4-V55-03T	320	—	—	—	—	—	—	—	—	—	—	—	
SJ-4-V Series (Wide range constant output)	SJ-4-V15-20T	100	—	—	—	—	—	—	—	—	—	—	—
	SJ-4-V22-16T	160	—	—	—	—	—	—	—	—	—	—	—

Servo motor type	Drive unit type MDS-EH-	Servo encoder cable											
		Motor side encoder cable					Ball screw side encoder cable						
		Cable (for G48)		Single connector			Ball screw side encoder (OSA405ET2AS/OSA676ET2AS)						
		V1	V2	V3	Straight	Right angle	Drive unit side	Motor side		Cable		Single connector	
HK-H Series	HK-H76	10	10	—	CNV2E-8P-□M □ : Length (m) 2, 3, 4, 5, 7, 10, 15, 20, 25, 30	CNV2E-9P-□M □ : Length (m) 2, 3, 4, 5, 7, 10, 15, 20, 25, 30	CNU2S (AWG18)	CNE10-R10S (9) CNE10S-R10S (9) Applicable cable outline ø6.0 to 9.0 (mm)	CNE10-R10L (9) CNE10S-R10L (9) Applicable cable outline ø6.0 to 9.0 (mm)	CNV2E-8P-□M □ : Length (m) 2, 3, 4, 5, 7, 10, 15, 20, 25, 30	CNV2E-9P-□M □ : Length (m) 2, 3, 4, 5, 7, 10, 15, 20, 25, 30	CNE10-R10S (9) CNE10S-R10S (9) Applicable cable outline ø6.0 to 9.0 (mm)	CNE10-R10L (9) CNE10S-R10L (9) Applicable cable outline ø6.0 to 9.0 (mm)
	HK-H105	10	20	—									
	HK-H55	20	20	40									
	HK-H104	20	40	—									
	HK-H123	40	10	—									
	HK-H154	40	40	—									
	HK-H223	20	20	—									
	HK-H224	40	40	—									
	HK-H204	80	80	—									
	HK-H302	40	40	—									
	HK-H303	40	80	—									
	HK-H354	80	80	—									
	HK-H453	80	80W	—									
	HK-H603	80W	80W	160									
HK-H702	80W	160	—										
HK-H703	80W	160	—										

■MDS-EH Series Power Connector for Spindle Motor Selection List

Spindle motor type	Drive unit type MDS-EH-	Power Connector	
		SP	Drive unit side
		Motor side	
SJ-4-V Series (Normal)	SJ-4-V2.2-03T	20	Terminal block connection
	SJ-4-V3.7-03T	—	
	SJ-4-V5.5-07T	40	
	SJ-4-V7.5-12T	—	
	SJ-4-V7.5-13ZT	—	
	SJ-4-V11-18T	80	
	SJ-4-V18.5-14T	100	
	SJ-4-V22-18ZT	—	
	SJ-4-V22-15T	160	
	SJ-4-V26-08ZT	—	
	SJ-4-V37-04ZT	200	
SJ-4-V Series (Wide range constant output)	SJ-4-V45-02T	320	Terminal block connection
	SJ-4-V55-03T	—	
	SJ-4-V15-20T	100	
SJ-4-V22-16T	160	—	—

DRIVE SYSTEM DEDICATED OPTIONS/CABLES

DRIVE SYSTEM DEDICATED OPTIONS/CABLES

■MDS-EMH Series Power Connector and Brake Connector for Servo Motor Selection List

Servo motor type	Drive unit type MDS-EMH- SPV3	Power Connector				Brake Connector	
		Drive unit side	Motor side		Motor side		
			Straight	Right angle	Straight	Right angle	
HG-H Series	HG-H54	- All axes CNU01SEF (AWG14) - L-axis only CNU01SEL (AWG14) - M-axis only CNU01SEM (AWG14) - S-axis only CNU01SES (AWG14)	CNP18-10S (14) Applicable cable outline ø10.5 to 14 (mm)	CNP18-10L (14) Applicable cable outline ø10.5 to 14 (mm)	CNP18-R2S (6) CNP10S-R2S (6) Applicable cable outline ø4.0 to 6.0 (mm)	CNB10-R2L (6) CNB10S-R2L (6) Applicable cable outline ø4.0 to 6.0 (mm)	
	HG-H104		8040	10040			
	HG-H154		8040	10040			
	HG-H204	10040	10060				
	HG-H354	10060					

Servo motor type	Drive unit type MDS-EMH- SPV3	Power Connector				Brake Connector	
		Drive unit side	Motor side		Motor side		
			Straight	Right angle	Straight	Right angle	
HK-H Series	HK-H55	- All axes CNU01SEF (AWG14) - L-axis only CNU01SEL (AWG14) - M-axis only CNU01SEM (AWG14) - S-axis only CNU01SES (AWG14)	CNAP18-10S (11) Applicable cable outline ø8.0 to 11.0 (mm) CNAP18-10S (14) Applicable cable outline ø11.0 to 14.1 (mm)	CNAP18-10L (11) Applicable cable outline ø8.0 to 11.0 (mm) CNAP18-10L (14) Applicable cable outline ø11.0 to 14.1 (mm)	CNB10-R2S (6) CNB10S-R2S (6) Applicable cable outline ø4.0 to 6.0 (mm)	CNB10-R2L (6) CNB10S-R2L (6) Applicable cable outline ø4.0 to 6.0 (mm)	
	HK-H104		8040	10040			
	HK-H154		8040	10040			
	HK-H204	10040	10060				
	HK-H354	10060					

■MDS-EMH Series Encoder Cable and Connector for Servo Motor Selection List

Servo motor type	Drive unit type MDS-EMH- SPV3	Servo encoder cable								
		Motor side encoder cable				Ball screw side encoder cable				
		Cable (for D48/D51)		Single connector		Ball screw side encoder (OSA405ET2AS)				
		Straight	Right angle	Drive unit side	Motor side		Cable		Single connector	
HG-H Series	HG-H54	CNV2E-8P-□ □ : Length (m) 2, 3, 4, 5, 7, 10, 15, 20, 25, 30	CNV2E-9P-□ □ : Length (m) 2, 3, 4, 5, 7, 10, 15, 20, 25, 30	CNU2S (AWG18)	CNE10-R10S (9)	CNE10-R10L (9)	CNV2E-8P-□ □ : Length (m) 2, 3, 4, 5, 7, 10, 15, 20, 25, 30	CNV2E-9P-□ □ : Length (m) 2, 3, 4, 5, 7, 10, 15, 20, 25, 30	CNE10-R10S (9)	CNE10-R10L (9)
	HG-H104				CNE10S-R10S (9)	CNE10S-R10L (9)	CNE10S-R10S (9)	CNE10S-R10L (9)	CNE10S-R10S (9)	CNE10S-R10L (9)
	HG-H154				CNE10S-R10S (9)	CNE10S-R10L (9)	CNE10S-R10S (9)	CNE10S-R10L (9)	CNE10S-R10S (9)	CNE10S-R10L (9)
	HG-H204	10040	10060							
	HG-H354	10060								

Servo motor type	Drive unit type MDS-EMH- SPV3	Servo encoder cable								
		Motor side encoder cable				Ball screw side encoder cable				
		Cable (for G48)		Single connector		Ball screw side encoder (OSA405ET2AS)				
		Straight	Right angle	Drive unit side	Motor side		Cable		Single connector	
HK-H Series	HK-H55	CNV2E-8P-□ □ : Length (m) 2, 3, 4, 5, 7, 10, 15, 20, 25, 30	CNV2E-9P-□ □ : Length (m) 2, 3, 4, 5, 7, 10, 15, 20, 25, 30	CNU2S (AWG18)	CNE10-R10S (9)	CNE10-R10L (9)	CNV2E-8P-□ □ : Length (m) 2, 3, 4, 5, 7, 10, 15, 20, 25, 30	CNV2E-9P-□ □ : Length (m) 2, 3, 4, 5, 7, 10, 15, 20, 25, 30	CNE10-R10S (9)	CNE10-R10L (9)
	HK-H104				CNE10S-R10S (9)	CNE10S-R10L (9)	CNE10S-R10S (9)	CNE10S-R10L (9)	CNE10S-R10S (9)	CNE10S-R10L (9)
	HK-H154				CNE10S-R10S (9)	CNE10S-R10L (9)	CNE10S-R10S (9)	CNE10S-R10L (9)	CNE10S-R10S (9)	CNE10S-R10L (9)
	HK-H204	10040	10060							
	HK-H354	10060								

■MDS-EMH Series Power Connector, Encoder Cable, and Connector for Spindle Motor Selection List

Servo motor type	Drive unit type MDS-EMH- SPV3	Drive unit side	Motor side	Power Cable	Spindle encoder cable									
					When connecting to a spindle motor				When connecting to a spindle side encoder					
					Motor side PLG cable		Spindle side accuracy encoder TS5690 cable		Spindle side encoder OSE-1024 cable					
					Cable	Single connector	Cable	Single connector	Cable	Single connector				
SJ-4-V Series (Normal)	SJ-4-V7.5-13ZT	Terminal block connection	Terminal block connection	CNP2E-1-□ □ : Length (m) 2, 3, 4, 5, 7, 10, 15, 20, 25, 30	CNU2S (AWG18)	CNEPGS	CNP2E-1-□ □ : Length (m) 2, 3, 4, 5, 7, 10, 15, 20, 25, 30	CNU2S (AWG18)	CNEPGS	CNP3EZ-2P-□ □ : Length (m) 2, 3, 4, 5, 7, 10, 15, 20, 25, 30	CNP3EZ-3P-□ □ : Length (m) 2, 3, 4, 5, 7, 10, 15, 20, 25, 30	CNU2S (AWG18)	CNE20-29S (10) Applicable cable outline ø6.8 to 10 (mm)	CNE20-29L (10) Applicable cable outline ø6.8 to 10 (mm)
	SJ-4-V18.5-14T													
SJ-4-V Series (Wide range constant output)	SJ-4-V15-20T													

■MDS-EJH Series Power Connector and Brake Connector for Servo Motor Selection List

Servo motor type	Drive unit type MDS-EJH- V1	Drive unit side	Power Connector				Brake Connector	
			Motor side		Motor side			
			Straight	Right angle	Straight	Right angle		
HG-H Series	HG-H75□-S105010	Supplied for each drive unit	CNP14-2S (12) Applicable cable outline ø10 to 12 (mm)	CNP14-2L (12) Applicable cable outline ø10 to 12 (mm)	CNB10-R2S (6) CNB10S-R2S (6) Applicable cable outline ø4.0 to 6.0 (mm)	CNB10-R2L (6) CNB10S-R2L (6) Applicable cable outline ø4.0 to 6.0 (mm)		
	HG-H105□-S105010		20					
	HG-H75		15					
	HG-H105		20	CNP18-10S (14) Applicable cable outline ø10.5 to 14 (mm)	CNP18-10L (14) Applicable cable outline ø10.5 to 14 (mm)			
	HG-H104		20					

Servo motor type	Drive unit type MDS-EJH- V1	Drive unit side	Power Connector				Brake Connector	
			Motor side		Motor side			
			Straight	Right angle	Straight	Right angle		
HK-H Series	HK-H105	Supplied for each drive unit	CNAP18-10S (11) Applicable cable outline ø8.0 to 11.0 (mm)	CNAP18-10L (11) Applicable cable outline ø8.0 to 11.0 (mm)	CNB10-R2S (6) CNB10S-R2S (6) Applicable cable outline ø4.0 to 6.0 (mm)	CNB10-R2L (6) CNB10S-R2L (6) Applicable cable outline ø4.0 to 6.0 (mm)		
	HK-H55		20					
	HK-H104		40	CNAP18-10S (14) Applicable cable outline ø11.0 to 14.1 (mm)	CNAP18-10L (14) Applicable cable outline ø11.0 to 14.1 (mm)			
	HK-H154		40					

■MDS-EJH Series Encoder Cable and Connector for Servo Motor Selection List

Servo motor type	Drive unit type MDS-EJH- V1	Servo encoder cable								
		Motor side encoder cable				Ball screw side encoder cable				
		Cable (for D48/D51)		Single connector		Ball screw side encoder (OSA405ET2AS)				
		Straight	Right angle	Drive unit side	Motor side		Cable		Single connector	
HG-H Series	HG-H75	CNV2E-8P-□ □ : Length (m) 2, 3, 4, 5, 7, 10, 15, 20, 25, 30	CNV2E-9P-□ □ : Length (m) 2, 3, 4, 5, 7, 10, 15, 20, 25, 30	CNU2S (AWG18)	CNE10-R10S (9)	CNE10-R10L (9)	CNV2E-8P-□ □ : Length (m) 2, 3, 4, 5, 7, 10, 15, 20, 25, 30	CNV2E-9P-□ □ : Length (m) 2, 3, 4, 5, 7, 10, 15, 20, 25, 30	CNE10-R10S (9)	CNE10-R10L (9)
	HG-H105				CNE10S-R10S (9)	CNE10S-R10L (9)	CNE10S-R10S (9)	CNE10S-R10L (9)	CNE10S-R10S (9)	CNE10S-R10L (9)
	HG-H54				CNE10S-R10S (9)	CNE10S-R10L (9)	CNE10S-R10S (9)	CNE10S-R10L (9)	CNE10S-R10S (9)	CNE10S-R10L (9)
	HG-H104	20	40							
	HG-H154	40								

Servo motor type	Drive unit type MDS-EJH- V1	Servo encoder cable								
		Motor side encoder cable				Ball screw side encoder cable				
		Cable (for G48)		Single connector		Ball screw side encoder (OSA405ET2AS)				
		Straight	Right angle	Drive unit side	Motor side		Cable		Single connector	
HK-H Series	HK-H105	CNV2E-8P-□ □ : Length (m) 2, 3, 4, 5, 7, 10, 15, 20, 25, 30	CNV2E-9P-□ □ : Length (m) 2, 3, 4, 5, 7, 10, 15, 20, 25, 30	CNU2S (AWG18)	CNE10-R10S (9)	CNE10-R10L (9)	CNV2E-8P-□ □ : Length (m) 2, 3, 4, 5, 7, 10, 15, 20, 25, 30	CNV2E-9P-□ □ : Length (m) 2, 3, 4, 5, 7, 10, 15, 20, 25, 30	CNE10-R10S (9)	CNE10-R10L (9)
	HK-H55				CNE10S-R10S (9)	CNE10S-R10L (9)	CNE10S-R10S (9)	CNE10S-R10L (9)	CNE10S-R10S (9)	CNE10S-R10L (9)
	HK-H104				CNE10S-R10S (9)	CNE10S-R10L (9)	CNE10S-R10S (9)	CNE10S-R10L (9)	CNE10S-R10S (9)	CNE10S-R10L (9)
	HK-H154	20	40							

LIST OF CABLES

[Manufacturer (Column and figure on the left show drive unit side.)]

a : Honda Tsushin Kogyo b : Japan Aviation Electronics Industry c : Hirose Electric d : 3M e : J.S.T. f : DDK g : Tyco Electronics

<Optical communication cable>

Item	Model	Length (m)	Contents	Manu- facturer	Compatible model				
					E/EH	EM/EMH	EJ/EJH		
For CN1A/ CN1B/ OPT1A	Optical communication cable For wiring between drive units (inside panel)	J396 L0.3M	0.3		a	a	○	○	○
		J396 L0.5M	0.5						
		J396 L1M	1						
		J396 L2M	2						
		J396 L3M	3						
	Optical communication cable For wiring between drive units (outside panel) For wiring between NC-drive units	J395 L3M	3		a	a	○	○	○
		J395 L5M	5						
		J395 L7M	7						
		J395 L10M	10						
		J395 L12M	12						
Optical communication cable For wiring between drive units (outside panel)	G380 L5M	5		g	g	○	○	○	
	G380 L10M	10							
	G380 L15M	15							
	G380 L20M	20							
	G380 L25M	25							
	G380 L30M	30							

(Note1) For details on the optical communication cable, refer to the section "Optical communication cable specification" in Specifications Manual of each drive unit.

<Battery cable and connector>

Item	Model	Length (m)	Contents	Manu- facturer	Compatible model				
					E/EH	EM/EMH	EJ/EJH		
For drive unit	Battery cable (For drive unit - battery box, For drive unit - drive unit)	DG30-0.3M	0.3		e	e	○	○	○
		DG30-0.5M	0.5						
		DG30-1M	1.0						
		DG30-2M	2.0						
		DG30-3M	3.0						
		DG30-5M	5.0						
		DG30-7M	7.0						
		DG30-10M	10.0						
Battery cable	MR-BT6V2CBL0.3M	0.3		e	e	-	-	○	
	MR-BT6V2CBL1M	1							

(Note1) For MDS-EJ/EJH, drive unit - drive unit connection is not available.

<Power supply communication cable and connector>

Item	Model	Length (m)	Contents	Manu- facturer	Compatible model				
					E/EH	EM/EMH	EJ/EJH	EX-CVP	
For CN4/9	Power supply communication cable	0.35		d	d	○	-	-	○
		0.5							
		1							
		2							
Power supply communication cable connector set	FCUA-CS000	-		d	d	○	-	-	○
		3							
For CN23	Contacter control output connector Applicable cable outline: 0.85mm ² to 3.5mm ² Finish outside diameter: to ø4.2mm	-		e	○	-	-	-	○
For CN24	External emergency stop input connector	-		f	○	-	-	-	○
For CN48	Connector for detecting power supply phase Applicable cable outline: 0.8mm ² to 2.1mm ² Finish outside diameter: to ø3.9mm	-		e	-	-	-	-	○
For TE1	Power connector for power backup unit	-		e	○	-	-	-	○
Power connector for power backup unit	-	-		e	○	-	-	-	○

<Power backup unit connector>

Item	Model	Length (m)	Contents	Manu- facturer	Compatible model		
					D-PFU	DH-PFU	
For CN43	Input/output connector for power backup unit	-		f	f	○	○
For TE1	Power connector for power backup unit	-		e	○	-	○
Power connector for power backup unit	-	-		e	○	-	○

<STO input connector>

Item	Model	Length (m)	Contents	Manu- facturer	Compatible model		
					E/EH	EM/EMH	EJ/EJH
For CN8	STO cable	-		g	○	-	○
STO short-circuit connector	-	-		b	○	-	-
STO short-circuit connector	-	-		b	-	-	○

<DI/O analog output connector>

Item	Model	Length (m)	Contents	Manu- facturer	Compatible model		
					E/EH	EM/EMH	EJ/EJH
For CN9	DI/O analog output connector (MDS-E/EH,EM/EMH,EJ/EJH-V1/EJ-SP)	-		d	○	○	○
DI/O analog output connector (MDS-EJ-V2/SP2)	FCUA-DJ200	-		d	-	-	○

<Servo motor/Tool spindle motor cable and connector>

Item	Model	Length (m)	Contents	Manu- facturer	Compatible model				
					E/EH	EM/EMH	EJ/EJH		
For CN2/3 For CN3L/ CN3M/ CN3S	For HG/HG-H, HQ-H, HK/HK-H, HG-JR Motor side encoder cable (for D47/D48/D51/D74/ G48) Ball screw side encoder cable (OSA405ET2AS, OSA676ET2AS)	CNV2E-8P-2M	2		d	f	○	○	○
		CNV2E-8P-3M	3						
		CNV2E-8P-4M	4						
		CNV2E-8P-5M	5						
		CNV2E-8P-7M	7						
		CNV2E-8P-10M	10						
		CNV2E-8P-15M	15						
		CNV2E-8P-20M	20						
		CNV2E-8P-25M	25						
		CNV2E-8P-30M	30						
		CNV2E-9P-2M	2						
		CNV2E-9P-3M	3						
		CNV2E-9P-4M	4						
		CNV2E-9P-5M	5						
		CNV2E-9P-7M	7						
		CNV2E-9P-10M	10						
		CNV2E-9P-15M	15						
		CNV2E-9P-20M	20						
CNV2E-9P-25M	25								
CNV2E-9P-30M	30								
For HG-H1502 Motor side encoder cable (for D48/D51/D74)	MR-ENE4CBL5M-H-MTH	5		d	f	○	-	-	
	MR-ENE4CBL10M-H-MTH	10							
	MR-ENE4CBL20M-H-MTH	20							
For motor encoder/ Ball screw side encoder	CNE10-R10S(9)	-		f	○	○	○	○	
	CNE10-R10L(9)	-							
	CNE10S-R10S(9)	-							
	CNE10S-R10L(9)	-							
	CNE20-29S(10)	-							

<Servo motor/Tool spindle motor cable and connector>

Item	Model	Length (m)	Contents	Manu- facturer	Compatible model				
					E/EH	EM/EMH	EJ/EJH		
CN3	MDS-EX-HR/MDS-B-HR unit cable	CNV2E-HP-2M	2		d	c	○	○	○
		CNV2E-HP-3M	3						
		CNV2E-HP-4M	4						
		CNV2E-HP-5M	5						
		CNV2E-HP-7M	7						
		CNV2E-HP-10M	10						
		CNV2E-HP-15M	15						
		CNV2E-HP-20M	20						
		CNV2E-HP-25M	25						
CNV2E-HP-30M	30								
For MDS-EX-HR/ MDS-B-HR unit	MDS-EX-HR/MDS-B-HR connector (For DRIVE, CON1: 2: 1) (For SCALE, CON3: 1) Applicable cable outline ø8.5 to 11mm	CNEHRS(10)	-		c	○	○	○	
For CN3	MDS-B-SD unit cable	CNV2E-D-2M	2		d	d	○	-	-
		CNV2E-D-3M	3						
		CNV2E-D-4M	4						
		CNV2E-D-5M	5						
		CNV2E-D-7M	7						
		CNV2E-D-10M	10						
		CNV2E-D-15M	15						
		CNV2E-D-20M	20						
		CNV2E-D-25M	25						
		CNV2E-D-30M	30						
For MDS-B-SD unit	MDS-B-SD connector (Two-piece set)	FCUA-CS000	-		d	d	○	-	-
For CN2/3	Encoder connector	CNU2S(AWG18)	-		d	○	○	○	

<Brake cable and connector>

Item	Model	Length (m)	Contents	Manu- facturer	Compatible model			
					E/EH	EM/EMH	EJ/EJH	
For motor brake	Brake connector for <200V Series> HG (Except for HG46, 56, 96), HK <400V Series> HG-H, HQ-H, HK-H Applicable cable outline ø4.0 to 6.0mm	CNB10-R2S(6)	-		f	○	○	○
		CNB10-R2L(6)	-		f	○	○	○
		CNB10S-R2S(6)	-		f	○	○	○
		CNB10S-R2L(6)	-		f	○	○	○
		Brake cable for HG46/56/96 Lead out in direction of motor shaft	MR-BKS1CBL 2M-A1-H		2		b	○
MR-BKS1CBL 3M-A1-H	3							
MR-BKS1CBL 5M-A1-H	5							
MR-BKS1CBL 7M-A1-H	7							
MR-BKS1CBL 10M-A1-H	10							
MR-BKS1CBL 2M-A2-H	2							
Brake cable for HG46/56/96 Lead out in opposite direction of motor shaft	MR-BKS1CBL 3M-A2-H	3		b	○	○	○	
	MR-BKS1CBL 5M-A2-H	5						
	MR-BKS1CBL 7M-A2-H	7						
	MR-BKS1CBL 10M-A2-H	10						
For CN20	Brake connector for motor brake control output	CNU23S(AWG14)	-		f	○	-	-

<Power connector>

Item	Model	Length (m)	Contents	Manu- facturer	Compatible model								
					E/EH	EM/EMH	EJ/EJH						
For motor power	Power connector for <200V Series> HG75, 105, 54, 104, 154, 224, 123, 223, 142 HG-JR73, 153□-S105003 <400V Series> HG-H75, 105, 54, 104, 154, 224 HG-JR734, 1534□-S105003 Applicable cable outline ø10.5 to 14mm	CNP18-10S(14)	-		f	○	○	○					
		CNP18-10L(14)	-						f	○	○	○	
	Power connector for <200V Series> HG204, 354, 303, 453, 603, 302 <400V Series> HG-H204, 354, 453, 703 Applicable cable outline ø12.5 to 16mm	CNP22-22S(16)	-		f	○	○	○					
		CNP22-22L(16)	-						f	○	○	○	
	Power connector for <200V Series> HG702, 703, 903, 1103 <400V Series> HG-H903 HQ-H903, 1103 Applicable cable outline ø22 to 23.8mm	CNP32-17S(23)	-		f	○	○	-					
		CNP32-17L(23)	-						f	○	○	-	
	Power connector for <200V Series> HG75, 105□-S105010 HG-JR73, 153□-S105010 <400V Series> HG-H75, 105□-S105010 HG-JR734, 1534□-S105010	CNP14-2S(12)	-		f	○	○	○					
		CNP14-2L(12)	-						f	○	○	○	
	Power cable for HG46/56/96 Lead out in direction of motor shaft	MR-PWS1CBL 2M-A1-H	2		b	○	-	○					
		MR-PWS1CBL 3M-A1-H	3										
MR-PWS1CBL 5M-A1-H		5											
MR-PWS1CBL 7M-A1-H		7											
MR-PWS1CBL 10M-A1-H		10											
MR-PWS1CBL 2M-A2-H		2											
Power cable for HG46/56/96 Lead out in opposite direction of motor shaft	MR-PWS1CBL 3M-A2-H	3		b	○	-	○						
	MR-PWS1CBL 5M-A2-H	5											
	MR-PWS1CBL 7M-A2-H	7											
	MR-PWS1CBL 10M-A2-H	10											
Power connector for <200V Series> HK76, 105, 55, 104, 123, 142, 154, 223, 224 <400V Series> HK-H76, 105, 55, 104, 123, 154, 223, 224	CNAP18-10S (11)	-		b	○	○	○						
	CNAP18-10S (14)	-						b	○	○	○		
	CNAP18-10L (11)	-						b	○	○	○		
	CNAP18-10L (14)	-						b	○	○	○		
	Applicable cable outline ø8.0 to 11.0mm Threaded mating type (reference sample)	-						-		b	○	○	○
		-						-					
Applicable cable outline ø11.0 to 14.1mm Threaded mating type (reference sample)	-	-		b	○	○	○						
	-	-						b	○	○	○		
Applicable cable outline ø8.0 to 11.0mm Threaded mating type (reference sample)	-	-		b	○	○	○						
	-	-						b	○	○	○		
Applicable cable outline ø11.0 to 14.1mm Threaded mating type (reference sample)	-	-		b	○	○	○						
	-	-						b	○	○	○		

Item	Model	Length (m)	Contents	Manu- facturer	Compatible model		
					E/EH	EM/EMH	EJ/EJH
For motor power	CNAP22-22S (13)	-		b	○	○	○
	CNAP22-22S (16)	-		b	○	○	○
	CNAP22-22L (13)	-		b	○	○	○
	CNAP22-22L (16)	-		b	○	○	○
	Applicable cable outline ø9.5 to 13.0mm Threaded mating type (reference sample)	-		b	○	○	○
	Applicable cable outline ø12.9 to 16.0mm Threaded mating type (reference sample)	-		b	○	○	○
	Applicable cable outline ø9.5 to 13.0mm Threaded mating type (reference sample)	-		b	○	○	○
For TE1	Power connector for MDS-E-V1-20 to 160W MDS-E-V2-20 to 160W MDS-E-V3-20 to 80 MDS-E-SP2-20 to 80 MDS-E-SP2-16080 (M-axis) MDS-EH-V1-10 to 80W MDS-EH-V2-10 to 160 MDS-EH-V3-40 MDS-EH-SP-20 to 80	-		e	○	-	-
	Power connector for MDS-E-CV-37/75	-		e	○	-	-
For CN31 L/M/S	Power connector for MDS-EM/EMH Series	-		e	-	○	-
		-		e	-	○	-
For CN22	Control power connector for MDS-EM/EMH Series Applicable cable outline ø0.5 to 1.25mm	-		f	-	○	-
	Control power connector for MDS-EM/EMH Series Applicable cable outline ø1.25 to 2.2mm	-		f	-	○	-

<Drive unit side main circuit connector>

Item	Model	Length (m)	Contents	Manu- facturer	Compatible model		
					E/EH	EM/EMH	EJ/EJH
For drive unit	<200V series> For MDS-EJ-V1-10, 15, 30 For MDS-EJ-SP-20 Applicable cable outline: 0.8mm ² to 2.1mm ² Finish outside diameter: to ø3.9mm	-		e	-	-	○
		-		e	-	-	○
		-		e	-	-	○
		-		e	-	-	○
	<200V series> For MDS-EJ-V1-40, 80 For MDS-EJ-V2-40 Applicable cable outline: (For CNP1, for CNP3/CNP3L/CNP3M) 1.25mm ² to 5.5mm ² (For CNP2) 0.14mm ² to 2.1mm ² Finish outside diameter: (For CNP1, for CNP3/CNP3L/CNP3M) to ø4.7mm (For CNP2) to ø3.9mm ²	-		e	-	-	○
		-		e	-	-	○
		-		e	-	-	○
		-		e	-	-	○
	<200V series> For MDS-EJ-V2-30 For MDS-EJ-SP2-20	-		e	-	-	○
		-		e	-	-	○
		-		e	-	-	○
		-		e	-	-	○
<400V series> For MDS-EJH-V1-10,15,20,40 Applicable cable outline:0.8mm ² to 2.1mm ² Finish outside diameter: to ø3.9mm	-		e	-	-	○	
	-		e	-	-	○	
	-		e	-	-	○	
	-		e	-	-	○	

<Spindle encoder cable and connector>

Item	Model	Length (m)	Contents	Manu- facturer	Compatible model								
					E/EH	EM/EMH	EJ/EJH						
For CN2	Motor side PLG cable Spindle side accuracy encoder TS5690 cable	CNP2E-1-2M	2		d g	○	○						
		CNP2E-1-3M	3										
		CNP2E-1-4M	4										
		CNP2E-1-5M	5										
		CNP2E-1-7M	7										
		CNP2E-1-10M	10										
		CNP2E-1-15M	15										
		CNP2E-1-20M	20										
		CNP2E-1-25M	25										
		CNP2E-1-30M	30										
		For CN3	Spindle side encoder OSE-1024 cable					CNP3EZ-2P-2M	2		d f	○	○
								CNP3EZ-2P-3M	3				
CNP3EZ-2P-4M	4												
CNP3EZ-2P-5M	5												
CNP3EZ-2P-7M	7												
CNP3EZ-2P-10M	10												
CNP3EZ-2P-15M	15												
CNP3EZ-2P-20M	20												
CNP3EZ-2P-25M	25												
CNP3EZ-2P-30M	30												
CNP3EZ-3P-2M	2												
CNP3EZ-3P-3M	3												
CNP3EZ-3P-4M	4												
CNP3EZ-3P-5M	5												
CNP3EZ-3P-7M	7												
CNP3EZ-3P-10M	10												
CNP3EZ-3P-15M	15												
CNP3EZ-3P-20M	20												
CNP3EZ-3P-25M	25												
CNP3EZ-3P-30M	30												
For spindle motor	Motor side PLG connector Spindle side accuracy encoder TS5690 connector	CNEPGS	-		g	○	○						
	Spindle side encoder OSE-1024 cable	CNE20-29S(10)	-		f	○	○						
	Applicable cable outline ø6.8 to 10mm	CNE20-29L(10)	-		f	○	○						
For CN2/3	Spindle encoder drive unit side connector	CNU2S(AWG18)	-		d	○	○						

■Cable wire

The specifications of the wire used for each cable, and the machining methods are shown in this section. Mitsubishi uses the cables shown in the tables below. When manufacturing the encoder cable and battery connection cable, use the wires shown below or equivalent products.

■MEMO

(1) Encoder cable

(a) Heat resistant specifications cable

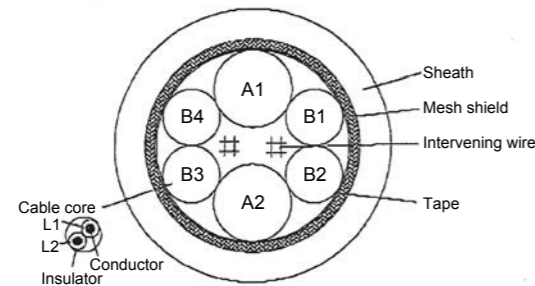
Wire type (other manufacturer's product)	Finish outer diameter	Sheath material	No. of pairs	Wire characteristics					
				Configuration	Conductive resistor	Withstand voltage	Insulation resistance	Heat resistance temperature	Flexibility
BD20288 Compound 6-pair shielded cable Specification No. Bangishi-17145 (Note 1)	8.7mm	Heat resistant PVC	2 (0.5mm ²)	100 strands/ 0.08mm	40.7Ω/km or less	500VAC/ 1min	1000 MΩ/km or more	105°C	70×10 ⁴ times or more at R200
			4 (0.2mm ²)	40 strands/ 0.08mm	103Ω/km or less				

(b) General-purpose heat resistant specifications cable

Wire type (other manufacturer's product)	Finish outer diameter	Sheath material	No. of pairs	Wire characteristics					
				Configuration	Conductive resistor	Withstand voltage	Insulation resistance	Heat resistance temperature	Flexibility
BD20032 Compound 6-pair shielded cable Specification No. Bangishi-16903 Revision No. 3 (Note 1)	8.7mm	PVC	2 (0.5mm ²)	100 strands/ 0.08mm	40.7Ω/km or less	500VAC/ 1min	1000 MΩ/km or more	60°C	100×10 ⁴ times or more at R200
			4 (0.2mm ²)	40 strands/ 0.08mm	103Ω/km or less				

(Note 1)BANDO Electric Wire (<http://www.bew.co.jp/>)
 (Note 2)The Mitsubishi standard cable is the (a) Heat resistant specifications cable. When the working environment temperature is low and so higher flexibility is required, use the (b) General-purpose heat resistant specifications cable.

Compound 6-pair cable structure drawing



Core identification

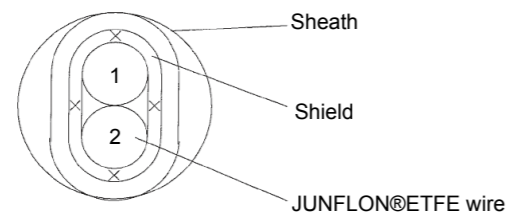
Pair No.	Insulator color	
	L1	L2
A1 (0.5mm ²)	Red	White
A2 (0.5mm ²)	Black	White
B1 (0.2mm ²)	Brown	Orange
B2 (0.2mm ²)	Blue	Green
B3 (0.2mm ²)	Purple	White
B4 (0.2mm ²)	Yellow	White

(2) Battery connection cable

Wire type (other manufacturer's product)	Finish outer diameter	Sheath material	No. of pairs	Wire characteristics					
				Configuration	Conductive resistor	Withstand voltage	Insulation resistance	Heat resistance temperature	Flexibility
J14B101224-00 Two core shield cable (Note 1)	3.3mm	PVC	1 (0.2mm ²)	7strands / 0.2mm	91.2Ω/km or less	500VAC/ 1min	1000MΩ/km or less	80°C	R33mm

(Note 1)Junkosha Inc. <http://www.junkosha.co.jp/english/index.html>
 Dealer: TOA ELECTRIC INDUSTRIAL CO.,LTD. <http://www.toadenki.co.jp/en/>

Two core shield cable structure drawing



Core identification

No.	Insulator color
1	Red
2	Black

SOFTWARE TOOLS

Process flow from machine design and development to operation and maintenance



NC-related processes

Servo selection	Custom screen creation	Parameter creation	Training
NC Servo Selection	NC Designer2	NC Configurator2	NC Trainer2
	NC Compiler2	Servo/spindle adjustment	Operation and maintenance
	Debug	Machine adjustment	NC Virtual Simulator*
	NC Trainer2 plus	NC Analyzer2	NC Explorer
			NC Monitor2
			Operation monitoring and remote diagnostics
			NC Machine Tool Optimizer*
			iQ Care Remote 4U*

* Refer to individual catalogs for details.

Machine design

[NC Servo Selection]
Input machining parameters to determine the optimum servo motor. This function automatically calculates spindle acceleration/deceleration time and selects the optimum power supply module.

Electrical circuitry design

[NC Designer2]
NC Designer2 provides a development environment where machine tool builders can customize screens easily. Two types of screen development methods are available: the interpreter method (programming without C++) for simple screen development and the compilation method with a complex controller (programming with C++).

[NC Trainer2 Plus]
NC Trainer2 plus supports customization development. It helps to program and debug the ladder programming of the user PLC that is developed by machine tool builders and to check the operations of customized screens.

[NC Configurator2]
NC parameters required for NC control or machine operation can be edited on a computer. It is also possible to create initial parameters simply by inputting the machine configuration.

Machine assembly and adjustment

[NC Configurator2]
NC parameters required for NC control or machine operation can be edited on a computer. It is also possible to create initial parameters simply by inputting the machine configuration.

Machine assembly and adjustment

[NC Configurator2]
NC parameters required for NC control or machine operation can be edited on a computer. It is also possible to create initial parameters simply by inputting the machine configuration.

For details on each software tool, refer to the software tools catalog (BNP-A1246).

Machine assembly and adjustment

[NC Analyzer2]
Servo parameters can be adjusted automatically by measuring and analyzing machine characteristics. Measurement and analysis can be performed by running a servo motor using the machining program for adjustment, or using the vibration signal. This function can sample various types of data.

Operation and maintenance

[NC Trainer2]
This is an application for operating the CNC screen and machining programs on a computer without a CNC control unit or special display unit. It can also be used for learning CNC operations and checking machining programs. The machining programs created on NC Trainer2/NC Trainer2 plus can be used in actual CNCs.

[NC Explorer]
CNC machining data can be managed using Windows® Explorer when the computer is connected to multiple CNCs via Ethernet.

[NC Monitor2]
Taking advantage of the connection with a factory network, CNC operation status can be monitored from remote locations. Several CNCs can be connected and monitored simultaneously.

Application development support

[Mitsubishi Electric CNC Communication Software (FCSB1224W000)]
This software provides a host of API functions. It facilitates the development of Windows applications that require connection and communication with Mitsubishi Electric CNC*. Its interface is common to all Mitsubishi Electric CNC models, for high development efficiency.

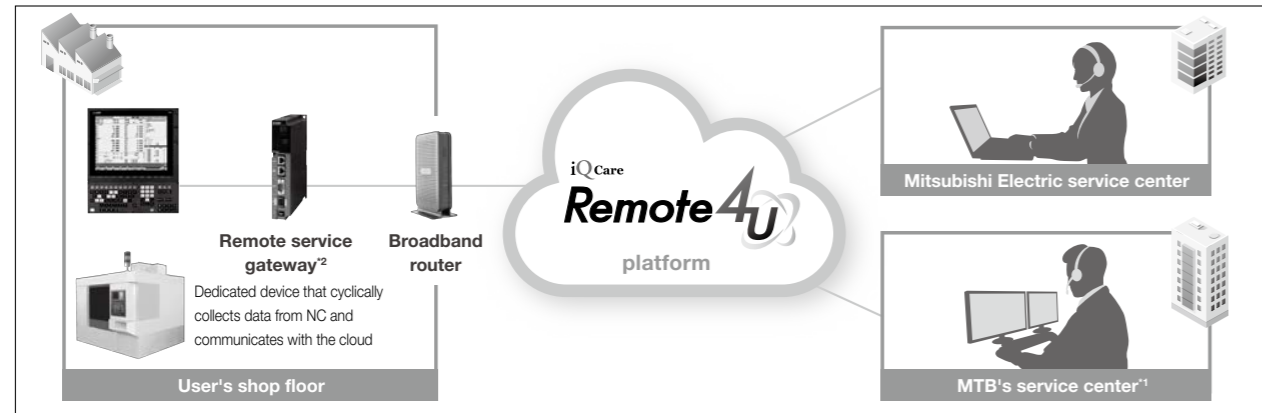
* Compatible with Mitsubishi Electric CNCs after M700/M70.

IoT TOOLS

Remote diagnostics software (Remote service) iQ Care Remote4U

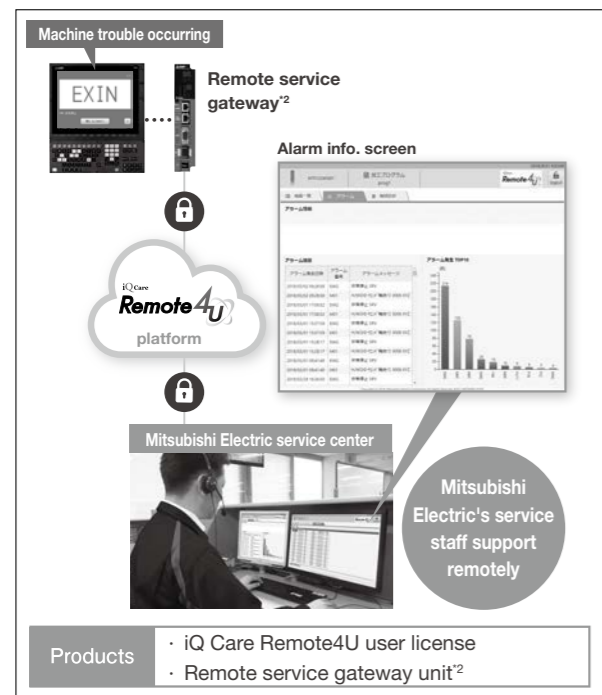
This remote service supports remote maintenance of machine tools using IoT technology. It offers operation monitoring of machine tools and remote diagnostics of CNC.

System configuration



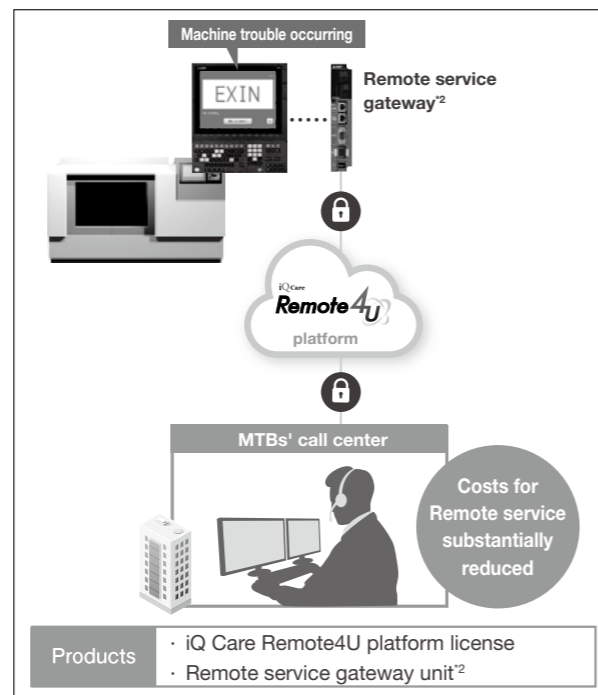
NC Remote service for end users

Mitsubishi Electric service personnel remotely diagnoses the status of your CNCs and offers accurate support to the shop floor. It helps reduce machine down time.



NC Remote service for machine tool builders

Cloud server is prepared by Mitsubishi Electric, which significantly reduces the initial costs. Data collected from machines enables machine builders to provide distinctive maintenance service.



*1 Machine tool builder can also build remote services (iQ Care Remote4U Platform license required).
*2 This unit is not required for M800V/M80V Series (software version A2 or later).

Specifications

Function	Main functions	User classification	
		Users	Machine tool builder (MTB)
Devices	Listing device information, specifying detailed display object	○	○
Operation	Graph display of operation rate, machining program name, ONB No.	○	-
Use	Servo axis load graph, spindle load graph, power consumption amount	○	-
Alarm	Current alarm, alarm history, total display	○	○
Diagnosis	SW configuration, H/W configuration, I/F diagnosis, parameter reference, self diagnosis, key operation history, sampling chart	○	○
Utility	Operation status acquisition, alarm diagnosis *1, email notification settings *1	○	-
	History data acquisition NC file data	○	○ *2

*1 This function may be unavailable depending on the license type. Unavailable functions are unavailable to all users.
*2 Auto backup setup is unavailable.

System requirements

Operation environment of personal computer

Items	Details
OS	Windows® 8.1/Windows 10 64bit
Browser	Microsoft Edge (Ver38) Google Chrome (Ver65)

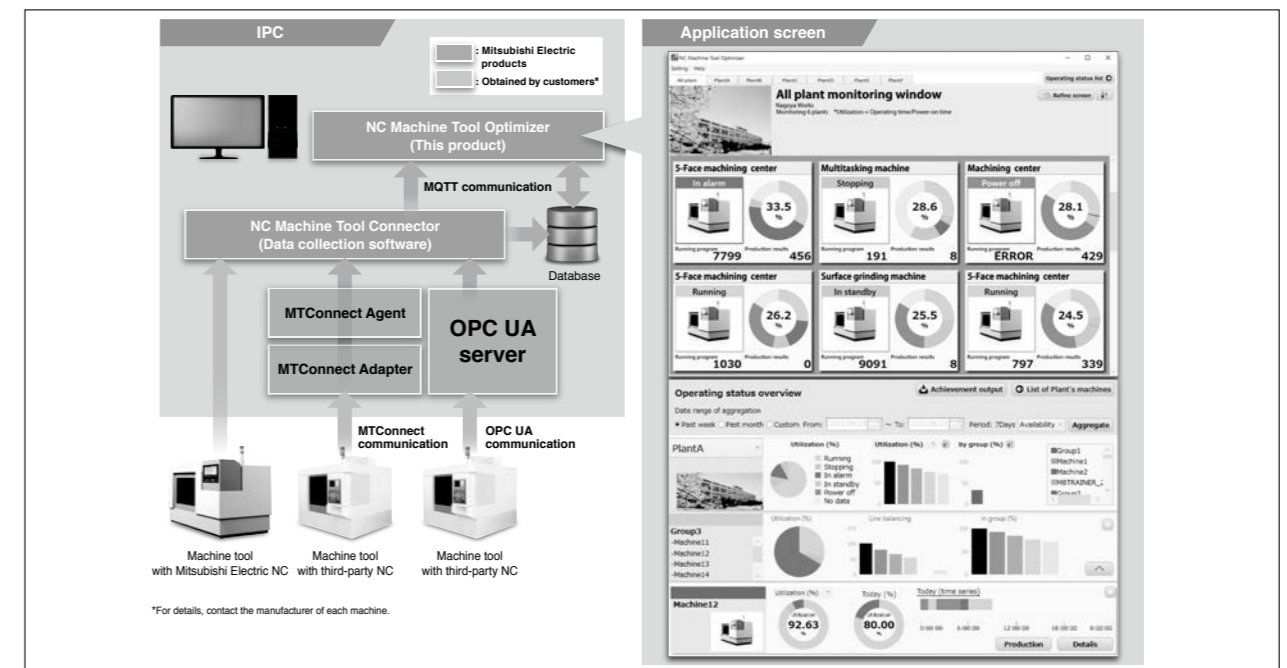
Operation environment of smart phones and tablet devices

Items	Details
OS	iOS
Browser	Safari

Operation monitoring software NC Machine Tool Optimizer (Pro/Lite)

NC Machine Tool Optimizer can analyze the operation of our equipment as well as visualizing the utilization. Not only Mitsubishi Electric NC, but third-party NC and MTConnect-compatible controllers can also be connected.

System configuration



Operation details window

Easy downtime diagnostics and trend analysis!
The occurrences of alarm stops and other events are presented in various charts, helping you to analyze the trends of the factors contributing to machine stops



Production results window

Easy comparison and analysis of planned vs. actual production!
The variance between the planned and actual production output (the number of finished goods and the percentage of completion for each machine) provides insights into productivity trends, enabling you to optimize your planning.



Key specifications

Item	Pro version	Lite version
Maximum number of devices that can be connected	210*1	10*1
Connection specifications	Mitsubishi Electric	M800(V)/M80(V)/E90/C90/ M700(V)/M70(V)/E70 Series, etc. *2
	Third-party	MTConnect-compatible model
Communication specifications	MTConnect	Supported version Agent (reference)
	OPC UA	Supported server OPC UA server products of other manufacturers (OPC UA Ver.1.03 or newer recommended)
	MQTT	Supported version Broker
	Database	Eclipse Mosquitto 1.3.5 PostgreSQL Ver.10.18 or newer/SQL99
Supported language	Japanese, English, Traditional Chinese, Simplified Chinese, Korean	

*1 The number of devices per license of this product.
*2 For C70 Series and M60/M600 Series or earlier models, additional hardware is required.
*3 Any MTConnect-compatible agent, not limited to Cpp agent, can be used for connection.

System requirements

Item	Description
Processor	Intel® Core™i3 2 cores or better 64-bit architecture
Memory	8 GB or more
Disk space	300 GB or more is recommended
External Interface	RJ-45 (Communication standard: Ethernet)
Display resolution	XGA (1024x768) or higher
OS	The 64-bit version of the following OS is supported. Windows® 10 Pro Windows® 10 Enterprise Windows® 10 IoT Enterprise
Library	.NET Framework 4.5

Creating Solutions Together.



Mitsubishi Electric's product lineup, from various controllers and drives to energy-saving devices and processing machines, all help you to automate your world. They are underpinned by software, innovative data monitoring, and modelling systems supported by advanced industrial networking and Edgexcross IT/OT connectivity. Together with a worldwide partner ecosystem, Mitsubishi Electric factory automation (FA) has everything to make IoT and Digital Manufacturing a reality.

With a complete portfolio and comprehensive capabilities that combine synergies with diverse business units, Mitsubishi Electric provides a one-stop approach to how companies can tackle the shift to clean energy and energy conservation, carbon neutrality and sustainability, which are now a universal requirement of factories, buildings, and social infrastructure.

We at Mitsubishi Electric FA are your solution partners waiting to work with you as you take a step toward the realization of sustainable manufacturing and society through the application of automation. Let's automate the world together!

*Trademarks
 MELSEC, EZSocket, iQ Platform, MELSEC iQ-R, GOT, CC-Link, CC-Link/LT, CC-Link IE, CC-Link IE Field, EcoMonitorLight and SLMP are either trademarks or registered trademarks of Mitsubishi Electric Corporation in Japan and/or other countries.
 Ethernet is a registered trademark of Xerox Corporation in the United States and/or other countries.
 Microsoft® and Windows® are either trademarks or registered trademarks of Microsoft Corporation in the United States and/or other countries.
 SD logo and SDHC logo are either registered trademarks or trademarks of LLC.
 EtherNet/IP is a trademark of Open DeviceNet Vendor Association, Inc.
 PROFIBUS-DP and PROFINET are trademarks of Profibus International.
 QR Code is a registered trademark of DENSO WAVE INCORPORATED.
 McAfee is a registered trademark or a trademark of McAfee, LLC or its subsidiaries in the United States and other countries.
 Punchtap is licensed by EMUGE.
 VNC is a registered trademark of RealVNC Ltd. in the United States and other countries.
 BISS is a trademark of iC-Haus GmbH.
 Other company and product names that appear in this manual are trademarks or registered trademarks of the respective companies.
 In some cases, trademark symbols such as ™ or ® are not specified in this manual.

Global Partner. Local Friend.



[YouTube logo] is a trademark or registered trademark of Google LLC.

Official Mitsubishi Electric Mechatronics YouTube account
User support videos are available, including how to backup/restore data and replace batteries, and an introduction to our products and technologies.



[Facebook logo] is a trademark or registered trademark of Meta Platforms, Inc.



[LinkedIn logo] is a trademark or registered trademark of LinkedIn Corporation.

Official Mitsubishi Electric CNC Facebook/LinkedIn account
Visit our page for information about exhibitions, products, technologies, and FAQ.



Safety Warning

To ensure proper use of the products listed in this catalog, please be sure to read the instruction manual prior to use.

MITSUBISHI ELECTRIC CORPORATION

HEAD OFFICE: TOKYO BLDG., 2-7-3 MARUNOUCHI,
CHIYODA-KU, TOKYO 100-8310, JAPAN