

MITSUBISHI ELECTRIC

GOT2000 Series

Protective Cover for Oil

for GT27/GT25/GT23/GT2107

User's Manual

GT20-15PCO **GT25-05PCO**
GT20-12PCO **GT25-05PCO-2**
GT20-10PCO **GT25T-07WPCCO**
GT20-08PCO
GT21-12WPCCO
GT21-10WPCCO
GT21-07WPCCO

Thank you for choosing Mitsubishi Electric Graphic Operation Terminal (GOT).

Prior to use, please read both this manual and detailed manual thoroughly to fully understand the product.

MODEL	GT20/GT25-PCO-U-JE
MODEL CODE	1D7MH8
	IB(NA)-0800498-H(2307)MEE

© 2013 MITSUBISHI ELECTRIC CORPORATION

SAFETY PRECAUTIONS

(Always read these precautions before using this equipment.)

Before using this product, please read this manual and the relevant manuals introduced in this manual carefully and pay full attention to safety to handle the product correctly. The precautions given in this manual are concerned with this product. In this manual, the safety precautions are ranked as "WARNING" and "CAUTION".

WARNING Indicates that incorrect handling may cause hazardous conditions, resulting in death or severe injury.

CAUTION Indicates that incorrect handling may cause hazardous conditions, resulting in medium or slight personal injury or physical damage.

Note that the CAUTION level may lead to a serious accident according to the circumstances. Always follow the precautions of both levels because they are important to personal safety. Please save this manual to make it accessible when required and always forward it to the end user.

[MOUNTING PRECAUTIONS]

WARNING

- Be sure to shut off all phases of the external power supply used by the system before mounting or removing the GOT main unit to/from the panel. Not doing so can cause the unit to fail or malfunction.

CAUTION

- When mounting the GOT to the control panel, tighten the mounting screws in the specified torque range. Overtightening can cause the GOT to drop, short circuit or malfunction. Overtightening can cause a drop, short circuit or malfunction due to the damage of the screws or the GOT.

[STARTUP AND MAINTENANCE PRECAUTIONS]

CAUTION

- Daily check the protective cover for oil with eyes. When you find extreme dirt or scratches on the surface, immediately replace it with new one. Using the protective cover for oil with decreased visibility may cause malfunction.

[DISPOSAL PRECAUTIONS]

CAUTION

- When disposing of this product, treat it as industrial waste.

[TRANSPORTATION PRECAUTIONS]

CAUTION

- When fumigants that contain halogen materials such as fluorine, chlorine, bromine, and iodine are used for disinfecting and protecting wood packaging from insects, they cause malfunction when entering our products. Please take necessary precautions to ensure that remaining materials from fumigant do not enter our products, or treat packaging with methods other than fumigation (heat method). Additionally, disinfect and protect wood from insects before packing products.

Manuals

The following shows manuals relevant to this product.

Manual name	Manual number (Model code)
GOT2000 Series User's Manual (Hardware)	SH-081194ENG (1D7MJ5)

For the latest e-Manuals and PDF manuals, consult your local sales office.

Packing List

The following items are included.

Model	Product	Quantity
GT20-15PCO GT20-12PCO GT20-10PCO GT20-08PCO GT21-12WPCCO GT21-10WPCCO GT21-07WPCCO GT25-05PCO GT25-05PCO-2 GT25T-07WPCCO	Protective cover for oil	1
	GOT2000 Series Protective Cover for Oil for GT27/GT25/GT23/GT2107 User's Manual (This manual)	1

Referenced Standard: GB/T15969.2 (Requirement of Chinese standardized law)

1. OVERVIEW

This user's manual explains GOT 2000 series protective cover for oil (hereinafter referred to as the protective cover for oil). Use of the protective cover for oil improves oil resistance and chemical resistance of the GOT.

*1: Note that the structure does not guarantee protection in all users' environments. The protective cover for oil may not be used in an environment where it is exposed to oil or chemicals for a long time, or where oil mist fills the air.

The following table shows the protective covers for oil and the screen sizes for the applicable GOT

Model	Screen sizes for the applicable GOTs
GT20-15PCO	15"
GT20-12PCO	12.1"
GT20-10PCO	10.4"
GT20-08PCO	8.4"
GT21-12WPCCO	12.1" wide screen
GT21-10WPCCO	10.1" wide screen
GT21-07WPCCO	7" wide screen
GT25-05PCO	5.7" (except GT2505)
GT25-05PCO-2	5.7" (GT2505)
GT25T-07WPCCO	7" wide screen (rugged model)

2. SPECIFICATIONS

2.1 General specifications

Item	Specifications
Operating ambient temperature	0°C to 50°C *1
Storage ambient temperature	-20°C to 50°C *2
Operating ambient humidity	10% RH to 90% RH, non-condensing
Storage ambient humidity	10% RH to 90% RH, non-condensing

*1: For GT25T-07WPCCO: -20°C to 50°C
*2: For GT25T-07WPCCO: -30°C to 50°C

2.2 Performance specifications

The performance specifications of the protective cover for oil are indicated below.

Item	GT20-15PCO	GT20-12PCO	GT20-10PCO	GT20-08PCO
Level of protection	IP67F Caution: The protective cover for oil may not be used in an environment where it is exposed to oil or chemicals for a long time, or where oil mist fills the air.			
Material	Cover: Nitrile rubber, Display: PET sheet			
Weight	0.31(0.68)	0.21(0.46)	0.20(0.44)	0.16(0.35)

Item	GT21-12WPCCO	GT21-10WPCCO	GT21-07WPCCO
Level of protection	IP67F Caution: The protective cover for oil may not be used in an environment where it is exposed to oil or chemicals for a long time, or where oil mist fills the air.		
Material	Cover: Nitrile rubber, Display: PET sheet		
Weight	0.16(0.35)	0.14(0.30)	0.09(0.20)

Item	GT25-05PCO	GT25-05PCO-2	GT25T-07WPCCO
Level of protection	IP67F Caution: The protective cover for oil may not be used in an environment where it is exposed to oil or chemicals for a long time, or where oil mist fills the air.		
Material	Cover: Nitrile rubber, Display: PET sheet		
Weight	0.09(0.20)	0.09(0.20)	0.15(0.33)

Unit: kg(lb)

POINT

For installing the GOT with the protective cover for oil, the control panel thickness must be 1.6 to 3mm because of the cover thickness. (Control panel thickness without the cover: 1.6 to 4mm)

2.3 Oil resistance, chemical resistance

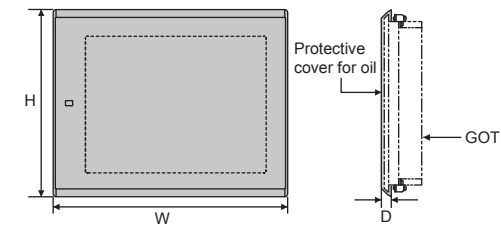
The protective cover for oil is made of materials with high oil and chemical resistance so that the cover can be used in various oil and chemical atmospheres. Because oils, including cutting oils, contain a small amount of additives depending on oil products, oil resistance of the cover cannot be stated. Prior to use the cover, test the cover in operating environments, and then check the oil and chemical resistance of the cover.

Test contents and oil resistance of cover

The protective cover for oil is soaked in the following oils for 2000 hours, and then oil resistance of the cover is checked.

Oil type	Product	Change in appearance and dimension	Adhesion between cover and sheet	Oil resistance
Water-insoluble cutting oil	Grinding oil (Yushiron oil CL35)	No change	No change	○
Water-soluble cutting oil	Grinding oil (Noritake cool CG-50P)	No change	No change	○

3. EXTERNAL DIMENSIONS



Dimensions	GT20-15PCO	GT20-12PCO	GT20-10PCO	GT20-08PCO
W	409 (16.10)	372 (14.65)	314 (12.36)	252 (9.92)
H	314.5 (12.38)	261 (10.28)	233 (9.96)	209 (9.18)
D	12.5 (0.49)	12 (0.47)	12 (0.47)	12 (0.47)

Dimensions	GT21-12WPCCO	GT21-10WPCCO	GT21-07WPCCO
W	310(12.20)	263(10.35)	200(7.87)
H	230(9.06)	205(8.07)	153(6.02)
D	12(0.47)	12(0.47)	12(0.47)

Dimensions	GT25-05PCO	GT25-05PCO-2	GT25T-07WPCCO
W	178(7.01)	175(6.89)	225(8.86)
H	154(6.06)	153.5(6.04)	169(6.65)
D	12(0.47)	12(0.47)	12(0.47)

Unit: mm (inch)

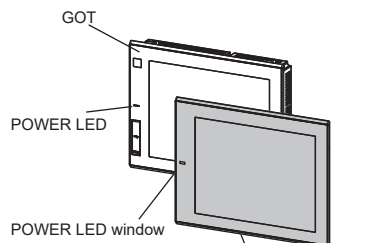
4. INSTALLATION AND REMOVAL PROCEDURE

POINT
For attaching the protective cover for oil to the GOT already mounted on the control panel, follow the procedures as below. <ul style="list-style-type: none"> Remove the GOT from the control panel. Make sure to externally shut off all phases of the power supply and remove all cables from the GOT in advance. Clean dirt off surfaces of the GOT and control panel.

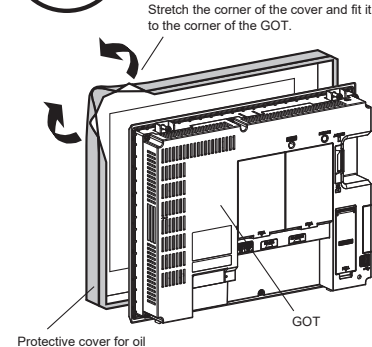
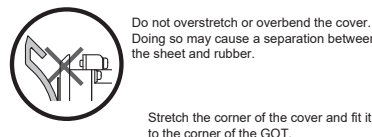
4.1 Installing the protective cover for oil

The following shows how to attach the protective cover for oil on GT2712 as an example.

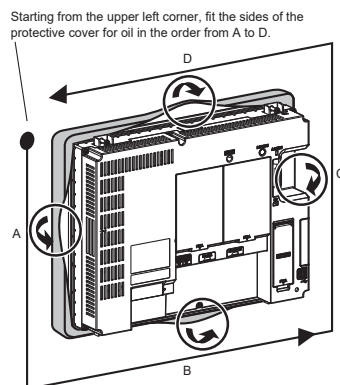
- Align the POWER LED window of the cover and the POWER LED of the GOT front panel to ensure that the cover orientation is appropriate.



- Stretch one corner of the cover, and fit it to the corner of the GOT front panel.

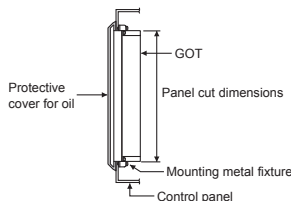


- Starting from one corner, fit the other corners of the cover sequentially to the corners of the GOT, and then the sides (in the order of the arrows from A to D). Make sure that the gasket of the GOT rear face is entirely covered.



POINT
To prevent liquid ingress into the control panel, make sure that the gasket is completely covered.
Make sure that the corners of the protective cover for oil align those of the GOT front panel.

- Mount the GOT onto the control panel. When the control panel is dirty, clean the control panel. The panel cutting dimensions and mounting screw tightening torque with the protective cover for oil are the same as those without the cover. For mounting the GOT on the control panel, refer to the GOT2000 Series User's Manual (Hardware)



4.2 Removing the protective cover for oil

Remove the protective cover for oil in the reverse of the installation procedure.

5. PRECAUTIONS FOR USE

- The protective cover for oil is a consumable product. Check the cover for scratch, damage or dirt at regular intervals, and replace with new one if necessary.
- Do not push the protective cover for oil with pointed tools, including mechanical pencils and screwdrivers. Doing so causes scratches and damages of the cover.
- Do not clean the protective cover for oil with bleaches, thinners, organic solvents, corrosive chemicals, and others. Doing so causes changes in shape and color of the cover.
- When the protective cover for oil is attached to the GOT, do not stretch and bend the cover too much. Doing so may cause a separation between the sheet and rubber.
- Do not place or use the protective cover for oil in direct sunshine. When the protective cover for oil gets dusty, wipe the dusts off with a damp cloth.
- White particles may adhere to the rubber frame of the protective cover for oil, which does not affect the quality of the cover. Wipe the frame with a cloth moistened with isopropyl alcohol or ethanol as necessary.
- When the protective cover for oil is used, the USB connector on the GOT front face cannot be used.
- When the protective cover for oil is used, the human sensor does not correctly operate. Disable the human sensor with the utility. For the human sensor setting, refer to the GOT2000 Series User's Manual (Hardware).
- Do not attach and remove the protective cover for oil frequently. Doing so reduces oil resistance and chemical resistance.
- Note that the structure does not guarantee protection in all users' environments. The protective cover for oil may not be used in an environment where it is exposed to oil or chemicals for a long time, or where oil mist fills the air.

Warranty

Mitsubishi Electric will not be held liable for damage caused by factors found not to be the cause of Mitsubishi Electric; machine damage or lost profits caused by faults in the Mitsubishi Electric products; damage, secondary damage, accident compensation caused by special factors unpredictable by Mitsubishi Electric; damages to products other than Mitsubishi Electric products; and to other duties.

For safe use

- This product has been manufactured as a general-purpose part for general industries, and has not been designed or manufactured to be incorporated in a device or system used in purposes related to human life.
- Before using the product for special purposes such as nuclear power, electric power, aerospace, medicine or passenger movement vehicles, consult with Mitsubishi Electric.
- This product has been manufactured under strict quality control. However, when installing the product where major accidents or losses could occur if the product fails, install appropriate backup or failsafe functions in the system.

Sales office/Tel

Americas
Mitsubishi Electric Automation, Inc.
500 Corporate Woods Parkway, Vernon Hills, IL 60061, U.S.A.
Tel: +1-847-478-2100
Mitsubishi Electric do Brasil Comercio e Servicos Ltda.
Avenida Adolfo Cardana, 293, 21 andar, Bethaville, Barueri SP, Brazil
Tel: +55-11-4689-3000
Mitsubishi Electric Automation, Inc. Mexico Branch
Boulevard Miguel de Cervantes Saavedra 301, Torre Norte Piso 5, Ampliacion Granada, Miguel Hidalgo, Ciudad de Mexico, Mexico, C.P.11520
Tel: +52-55-3067-7512

Europe

Mitsubishi Electric Europe B.V. German Branch
Mitsubishi-Electric-Platz 1, 40882 Ratingen, Germany
Tel: +49-2102-486-0
Mitsubishi Electric Europe B.V. UK Branch
Travellers Lane, UK-Hatfield, Hertfordshire, AL10 8XB, U.K.
Tel: +44-1707-28-8780
Mitsubishi Electric Europe B.V. Italian Branch
Centro Direzionale Colosseo - Palazzo Sirio, Viale Colosseo 7, 20864 Agrate Brianza (MB), Italy
Tel: +39-039-80531
Mitsubishi Electric Europe B.V. Spanish Branch
Carretera de Rubi, 76-80-Appdo. 420, E-08190 Sant Cugat del Valles (Barcelona), Spain
Tel: +34-935-65-3131
Mitsubishi Electric Europe B.V. French Branch
25, Boulevard des Bouvets, 92741 Nanterre Cedex, France
Tel: +33-1-55-68-55-68
Mitsubishi Electric Europe B.V. Czech Branch
Pakarska 62/17, 155 00 Praha 5, Czech Republic
Tel: +420-255 719 200
Mitsubishi Electric Turkey A.S. Umranlye Branch
Serifali Mahallesi Nutuk Sokak No.5, TR-34775 Umranlye / Istanbul, Turkey
Tel: +90-216-526-3990
Mitsubishi Electric Europe B.V. Polish Branch
ul. Krakowska 48, 32-063 Balice, Poland
Tel: +48-12-347-65-00

Africa

Adroit Technologies
20 Waterford Office Park, 189 Witkoppen Road, Fourways, South Africa
Tel: +27-11-658-8100

Asia-Pacific

Mitsubishi Electric Automation (China) Ltd.
Mitsubishi Electric Automation Center, No.1386 Hongqiao Road, Shanghai, China
Tel: +86-21-2322-3030
SETSUYO ENTERPRISE CO., LTD.
6F, No.105, Wugong 3rd Road, Wugu District, New Taipei City 24889, Taiwan
Tel: +886-2-2299-2499
Mitsubishi Electric Automation Korea Co., Ltd.
7F to 9F, Gangseo Hangang Xi-tower A, 401, Yangcheon-ro, Gangseo-gu, Seoul 07528, Korea
Tel: +82-2-3660-9669
Mitsubishi Electric Asia Pte. Ltd.
307 Alexandra Road, Mitsubishi Electric Building, Singapore 159943
Tel: +65-6473-2308
Mitsubishi Electric Factory Automation (Thailand) Co. Ltd.
12th Floor, SV City Building, Office Tower 1, No. 896/19 and 20 Rama 3 Road, Kwaeng Bangpoo, Khet Yannawa, Bangkok 10120, Thailand
Tel: +66-2682-6522 to 31
PT. Mitsubishi Electric Indonesia
Gedung Jaya 8th Floor, Jl. MH. Thamrin No.12, Jakarta Pusat 10340, Indonesia
Tel: +62-21-3192-6461
Mitsubishi Electric Vietnam Company Limited
11th & 12th Floor, Viettel Tower B, 285 Cach Mang Thang 8 Street, Ward 12, District 10, Ho Chi Minh City, Vietnam.
Tel: +84-28-3910-5945
Mitsubishi Electric India Pvt. Ltd. Pune Branch
Emerald House, EL-3, J Block, M.I.D.C., Bhosari, Pune - 411026, Maharashtra, India
Tel: +91-20-2710-2000
MITSUBISHI ELECTRIC AUSTRALIA PTY. LTD.
34B Victoria Road, P.O. Box 11, Rydalmere, N.S.W 2116, Australia
Tel: +61-2-9684-7777

MITSUBISHI ELECTRIC CORPORATION

HEAD OFFICE: TOKYO BLDG, 2-7-3, MARUNOUCHI, CHIYODA-KU, TOKYO 100-8310, JAPAN
NAGOYA WORKS: 1-14, YADA-MINAMI 5-CHOME, HIGASHI-KU, NAGOYA 461-8670, JAPAN

When exported from Japan, this manual does not require application to the Ministry of Economy, Trade and Industry for service transaction permission.

Specifications subject to change without notice.
Printed in Japan, July 2023.