

MITSUBISHI ELECTRIC

GOT2000 Series

USB Environmental Protection Cover

User's Manual

GT25-UCOV
GT21-WUCOV
GT25-05UCOV

Thank you for purchasing Mitsubishi Electric Graphic Operation Terminal.

Prior to use, please read both this manual and detailed manual thoroughly to fully understand the product.

MODEL	GT25-UCOV-U-JE
MODEL CODE	1D7MI2
IB(NA)-0800501-G(2307)MEE	

© 2013 MITSUBISHI ELECTRIC CORPORATION

[DISPOSAL PRECAUTIONS]

CAUTION
• Dispose of this product as industrial waste.

[TRANSPORTATION PRECAUTIONS]

CAUTION
• When fumigants that contain halogen materials such as fluorine, chlorine, bromine, and iodine are used for disinfecting and protecting wooden packaging from insects, they cause malfunction when entering our products. Please take necessary precautions to ensure that remaining materials from fumigant do not enter our products, or treat packaging with methods other than fumigation (heat method). Additionally, disinfect and protect wood from insects before packing products.

Manuals

The following shows manuals relevant to this product.

Manual name	Manual number (Model code)
GOT2000 Series User's Manual (Hardware) (Sold separately)	SH-081194ENG (1D7MJ5)

For the latest e-Manuals and PDF manuals, consult your local sales office.

Referenced Standard: GB/T15969.2 (Requirement of Chinese standardized law)

Packing List

After unpacking the box, check that the following products are included.

Model	Product	Quantity
GT25-UCOV	GOT2000 series USB environmental protection cover	1
GT21-WUCOV	Fixing screw (M3 x 6)	1
GT25-05UCOV	GOT2000 Series USB Environmental Protection Cover User's Manual (This manual)	1

1. OVERVIEW

This user's manual describes the USB environmental protection cover of the GOT2000 series (hereinafter referred to as the USB environmental protection cover). The USB environmental protection cover is for protection of the USB interface.

The following table shows the USB environmental protection cover models and applicable GOTs.

Model	Screen sizes for the applicable GOTs
GT25-UCOV	The following GOTs with the USB interface on their front faces - 15" models - 12.1" models - 10.4" models - 8.4" models
GT21-WUCOV	The following GOTs with the USB interface on their front faces - 12.1" wide models - 10.1" wide models - 7" wide models - GT2505-VTBD
GT25-05UCOV	GT2705-VTBD

The USB environmental protection cover is used to make the USB interface compliant with the protective structure IP67F¹.

*1: The suffix "F" of IP67F is a symbol that indicates protection rate against oil. It is described in the Appendix of JIS C 0920 of the Japanese Industrial Standards.

2. SPECIFICATIONS

The following shows the performance specifications of the USB environmental protection cover.

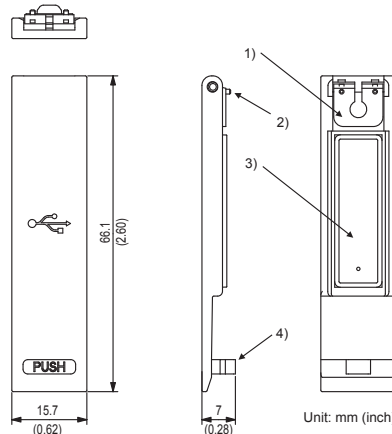
The general specifications of the USB environmental protection cover are the same as those of the GOT. For the general specifications of the GOT, refer to the GOT2000 Series User's Manual (Hardware).

Item	Description
Protective structure*1	IP67F
Weight	0.005 kg

*1: The USB interface is IP67F-rated when the USB environmental protection cover is installed to the GOT. To conform to IP67F, close the USB environmental protection cover by pushing in the [PUSH] mark or [USB] mark firmly to lock the cover. (The USB interface is IP2X-rated when the USB environmental protection cover is open.)

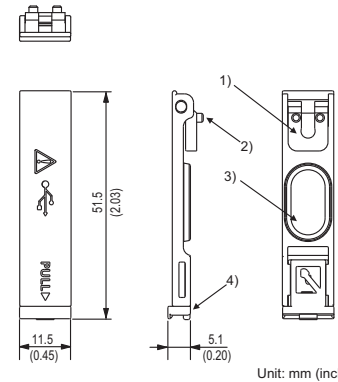
3. EXTERNAL DIMENSIONS

3.1 GT25-UCOV



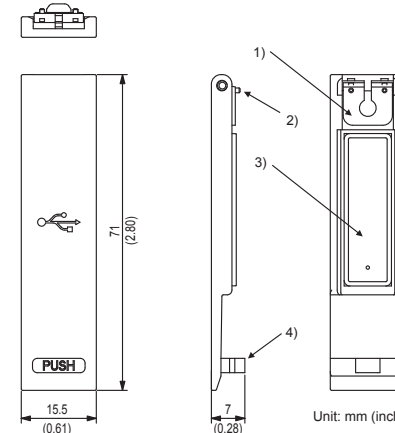
No.	Name	Description
1)	Hinge	Hinge for opening or closing the USB environmental protection cover
2)	Hinge projection	Hinge projection to be fitted in the GOT guiding hole
3)	Packing	Packing for protecting the USB interface
4)	Latch	Latch for fixing or opening the USB environmental protection cover

3.2 GT21-WUCOV



No.	Name	Description
1)	Hinge	Hinge for opening or closing the USB environmental protection cover
2)	Hinge projection	Hinge projection to be fitted in the GOT guiding hole
3)	Packing	Packing for protecting the USB interface
4)	Latch	For locking or unlocking the USB environmental protection cover

3.3 GT25-05UCOV



No.	Name	Description
1)	Hinge	Hinge for opening or closing the USB environmental protection cover
2)	Hinge projection	Hinge projection to be fitted in the GOT guiding hole
3)	Packing	Packing for protecting the USB interface
4)	Latch	Latch for fixing or opening the USB environmental protection cover

SAFETY PRECAUTIONS

(Always read these precautions before using this equipment.)

Before using this product, please read this manual and the relevant manuals introduced in this manual carefully and pay full attention to safety to handle the product correctly.

The precautions given in this manual are concerned with this product. In this manual, the safety precautions are ranked as "WARNING" and "CAUTION".

WARNING Indicates that incorrect handling may cause hazardous conditions, resulting in death or severe injury.

CAUTION Indicates that incorrect handling may cause hazardous conditions, resulting in medium or slight personal injury or physical damage.

Note that the CAUTION level may lead to a serious accident according to the circumstances.

Always follow the precautions of both levels because they are important to personal safety.

Please save this manual to make it accessible when required and always forward it to the end user.

[INSTALLATION PRECAUTIONS]

CAUTION

- Make sure to securely fix the USB environmental protection cover onto the GOT using fixing screws and tighten the screws in the specified torque of 0.36 N·m to 0.48 N·m. Loose tightening may cause the USB environmental protection cover to drop off and/or the GOT to fail or malfunction. Overtightening may damage and drop screws and/or the USB environmental protection cover.
- When closing the USB environmental protection cover, fix the cover to the GOT by pushing the [PUSH] or [USB] mark on the latch firmly to comply with the protective structure.

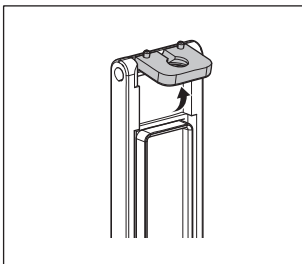
4. INSTALLATION AND REMOVAL

4.1 Installing the USB Environmental Protection Cover

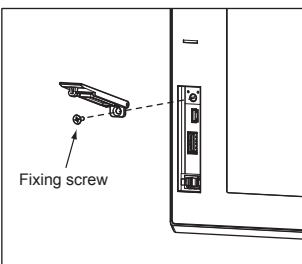
4.1.1 GT25-UCOV, GT25-05UCOV

The installation procedure for the USB environmental protection cover is explained using GT2712.

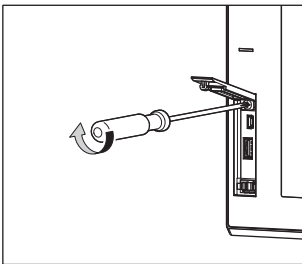
1) Get up the hinge of the USB environmental protection cover.



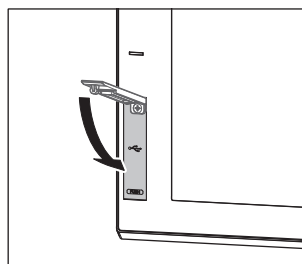
2) Align the hinge projection of the USB environmental protection cover on the guiding hole of the GOT. Put a supplied fixing screw through the hinge hole of the USB environmental protection cover.



3) Tighten the fixing screw in the specified torque range (0.36 N·m to 0.48 N·m) to fix the cover to the GOT.



4) When you do not use the USB interface, close the USB environmental protection cover by pushing in the [PUSH] mark on the cover firmly.

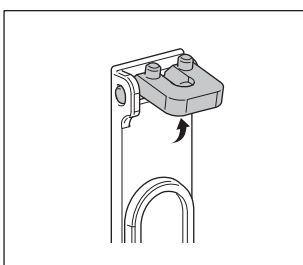


5) To use the USB interface, open the USB environmental protection cover by pushing the [PUSH] mark on the cover.

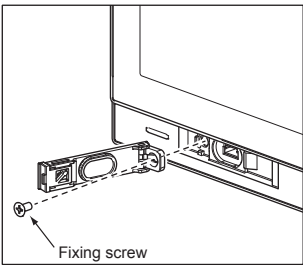
4.1.2 GT21-WUCOV

The installation procedure for the USB environmental protection cover is explained using GT2510-WX.

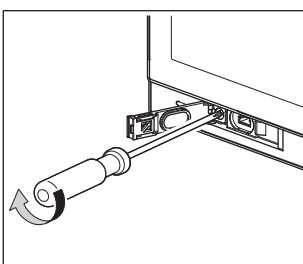
1) Get up the hinge of the USB environmental protection cover.



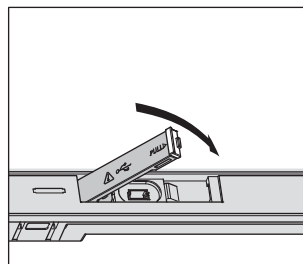
2) Align the hinge projection of the USB environmental protection cover on the guiding hole of the GOT. Put a supplied fixing screw through the hinge hole of the USB environmental protection cover.



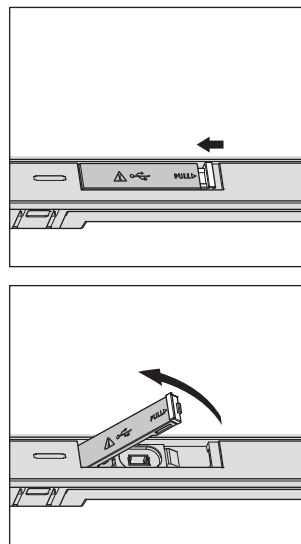
3) Tighten the fixing screw in the specified torque range (0.36 N·m to 0.48 N·m) to fix the cover to the GOT.



4) When you do not use the USB interface, close the USB environmental protection cover by pushing in the [USB] mark on the cover firmly. When you close the USB environmental protection cover, make sure that the latch is fully retracted into the cover body. Otherwise, the USB environmental protection cover may get damaged.



5) To use the USB interface, unlock the USB environmental protection cover by sliding its latch and then open the cover.



4.2 Removing the USB Environmental Protection Cover

Perform the reverse procedure of installation for removing the USB environmental protection cover.

5. PRECAUTIONS FOR USE

1) When the USB environmental protection cover is closed, the USB interface is IP67F-rated.

In this case, the USB environmental protection cover must be locked into position by pushing in the [PUSH] mark or [USB] mark firmly.

2) The USB environmental protection cover is a consumable product. Check the cover periodically. When the cover has damage, heavy soil, and others, replace the cover.

Warranty

Mitsubishi Electric will not be held liable for damage caused by factors found not to be the cause of Mitsubishi Electric; machine damage or lost profits caused by faults in the Mitsubishi Electric products; damage, secondary damage, accident compensation caused by special factors unpredictable by Mitsubishi Electric; damages to products other than Mitsubishi Electric products; and to other duties.

For safe use

- This product has been manufactured as a general-purpose part for general industries, and has not been designed or manufactured to be incorporated in a device or system used in purposes related to human life.
- Before using the product for special purposes such as nuclear power, electric power, aerospace, medicine or passenger movement vehicles, consult with Mitsubishi Electric.
- This product has been manufactured under strict quality control. However, when installing the product where major accidents or losses could occur if the product fails, install appropriate backup or failsafe functions in the system.

Sales office/Tel

Americas

Mitsubishi Electric Automation, Inc.
500 Corporate Woods Parkway, Vernon Hills, IL 60061, U.S.A.
Tel: +1-847-478-2100

Mitsubishi Electric do Brasil Comercio e Servicos Ltda.
Avenida Adelino Cardana, 293, 21 andar, Bethaville, Banerji SP, Brazil
Tel: +55-11-4689-3000

Mitsubishi Electric Automation, Inc. Mexico Branch
Boulevard Miguel de Cervantes Saavedra 301, Torre Norte Piso 5, Ampliacion Granada,
Miguel Hidalgo, Ciudad de Mexico, Mexico, C.P. 11520
Tel: +52-55-3067-7512

Europe

Mitsubishi Electric Europe B.V. German Branch
Mitsubishi-Electric-Platz 1, 40882 Ratingen, Germany
Tel: +49-2102-486-0

Mitsubishi Electric Europe B.V. UK Branch
Travellers Lane, UK-Hatfield, Hertfordshire, AL10 8XB, U.K.
Tel: +44-1707-28-8780

Mitsubishi Electric Europe B.V. Italian Branch
Centro Direzionale Colleoni - Palazzo Sirio, Viale Colleoni 7, 20864 Agrate Brianza (MB), Italy
Tel: +39-039-60531

Mitsubishi Electric Europe B.V. Spanish Branch
Carretera de Rubi, 76-80-Appdo. 420, E-08190 Sant Cugat del Valles (Barcelona), Spain
Tel: +34-935-65-3131

Mitsubishi Electric Europe B.V. French Branch
25, Boulevard des Bouvets, 92741 Nanterre Cedex, France
Tel: +33-1-55-68-55-68

Mitsubishi Electric Europe B.V. Czech Branch
Pekarska 621/7, 155 00 Praha 5, Czech Republic
Tel: +420-255 719 200

Mitsubishi Electric Turkey A.S. Umraniye Branch
Serifali Mahallesi Nutuk Sokak No:5, TR-34775 Umraniye / Istanbul, Turkey
Tel: +90-216-626-3990

Mitsubishi Electric Europe B.V. Polish Branch
ul. Krakowska 48, 32-083 Balice, Poland
Tel: +48-12-347-65-00

Africa

Adroit Technologies
20 Waterford Office Park, 189 Witkoppen Road, Fourways, South Africa
Tel: +27-11-658-8100

Asia-Pacific

Mitsubishi Electric Automation (China) Ltd.
Mitsubishi Electric Automation Center, No. 1386 Hongqiao Road, Shanghai, China
Tel: +86-21-2322-3030

SETSUYO ENTERPRISE CO., LTD.
8F, No. 105, Wugong 3rd Road, Wugu District, New Taipei City 24889, Taiwan
Tel: +886-2-2299-2499

Mitsubishi Electric Automation Korea Co., Ltd.
7F to 9F, Gangseo Hangang Xi-tower A, 401, Yangcheon-ro, Gangseo-Gu, Seoul 07528, Korea
Tel: +82-2-3650-6669

Mitsubishi Electric Asia Pte. Ltd.
307 Alexandra Road, Mitsubishi Electric Building, Singapore 159943
Tel: +65-6473-2308

Mitsubishi Electric Factory Automation (Thailand) Co., Ltd.
12th Floor, SV City Building, Office Tower 1, No. 89619 and 20 Rama 3 Road,
Kwangs Bangpanggang, Khet Yannawa, Bangkok 10120, Thailand
Tel: +66-2682-8522 to 31

PT. Mitsubishi Electric Indonesia
Gedung Jaya 8th Floor, Jl. MH. Thamrin No.12, Jakarta Pusat 10340, Indonesia
Tel: +62-21 3192-6461

Mitsubishi Electric Vietnam Company Limited
11th & 12th Floor, Viettel Tower B, 285 Cach Mang Thang 8 Street, Ward 12, District 10,
Ho Chi Minh City, Vietnam
Tel: +84-28-3910-5945

Mitsubishi Electric India Pvt. Ltd. Pune Branch
Emerald House, EL-3, J Block, M.I.D.C., Bhosari, Pune - 411026, Maharashtra, India
Tel: +91-20-2710-2000

MITSUBISHI ELECTRIC AUSTRALIA PTY. LTD.
348 Victoria Road, P.O. Box 11, Rydalmere, N.S.W 2116, Australia
Tel: +61-2-9684-7777

MITSUBISHI ELECTRIC CORPORATION

HEAD OFFICE: TOKYO BLDG., 2-7-3, MARUNOUCHI, CHIYODA-KU, TOKYO 100-8310, JAPAN
NAGOYA WORKS: 1-14, YADA-MINAMI 5-CHOME, HIGASHI-KU, NAGOYA 461-8670, JAPAN

When exported from Japan, this manual does not require application to the Ministry of Economy, Trade and Industry for service transaction permission.

Specifications subject to change without notice.
Printed in Japan, July 2023.