

MITSUBISHI ELECTRIC

**GOT2000 Series Stand
(for Wide Models and Rugged Models)**

User's Manual

**GT25-10WSTAND
GT21-07WSTAND
GT25T-07WSTAND**

Thank you for choosing Mitsubishi Electric Graphic Operation Terminal (GOT).

Prior to use, please read both this manual and detailed manual thoroughly to fully understand the product.

MODEL	GT21-WSTAND-U-JE
MODEL CODE	1D7MT1
IB(NA)-0800582-C(2307)MEE	

GOT2000

© 2017 MITSUBISHI ELECTRIC CORPORATION

●SAFETY PRECAUTIONS●

(Always read these precautions before using this equipment.)

Before using this product, please read this manual and the relevant manuals introduced in this manual carefully and pay full attention to safety to handle the product correctly. The precautions given in this manual are concerned with this product. In this manual, the safety precautions are ranked as "WARNING" and "CAUTION".

⚠WARNING Indicates that incorrect handling may cause hazardous conditions, resulting in death or severe injury.

⚠CAUTION Indicates that incorrect handling may cause hazardous conditions, resulting in medium or slight personal injury or physical damage.

Note that the **⚠ CAUTION** level may lead to a serious accident according to the circumstances. Always follow the precautions of both levels because they are important to personal safety. Please save this manual to make it accessible when required and always forward it to the end user.

[INSTALLATION PRECAUTIONS]

⚠WARNING

- Make sure to externally shut off the all phases of the system power supply before mounting/removing the GOT onto/from the stand. Failure to do so may cause the unit to fail or malfunction.

⚠ CAUTION

- Use this stand in an environment which satisfies the general specifications of the GOT to be used. Using in an environment other than that satisfies the general specifications may cause an electric shock, a fire, or damage or deterioration to the GOT. For the general specifications of the GOT, refer to the detailed manual.
- When mounting the GOT onto the stand, fix it with the mounting fixtures securely and tighten the screws in the specified torque range. Loose tightening may cause the GOT to drop off from the stand. For the specified torque range of the mounting screws, refer to the detailed manual.

[PRECAUTIONS FOR USE]

⚠ CAUTION

- Install this stand on a horizontal and stable place. If this stand is used on an unstable place, the GOT may fall down, causing a damage to the GOT or an injury to the user.

[DISPOSAL PRECAUTIONS]

⚠ CAUTION

- Dispose of this product as industrial waste.

Manuals

The following shows manuals relevant to this product.

Manual name	Manual number (Type code)
GOT2000 Series User's Manual (Hardware)	SH-081194ENG (1D7MJ5)

For the latest e-Manuals and PDF manuals, consult your local sales office.

Packing List

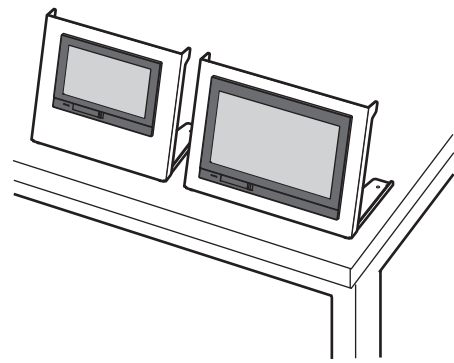
After unpacking the box, check that the following products are included.

Model	Product	Quantity
GT25-10WSTAND GT21-07WSTAND GT25T-07WSTAND	Stand GOT2000 Series Stand (for Wide Models and Rugged Models) User's Manual (This manual)	1 1

Referenced Standard: GB/T15969.2
(Requirement of Chinese standardized law)

1. Overview

This user's manual describes the stand for the GOT2000 series wide models and rugged model (hereinafter referred to as the stand). The stand is useful for debugging the GOT screen data, as it can set the GOT at a proper angle on a table.



2. SPECIFICATIONS

The general specifications of the stand is the same as that of the GOT. For the general specifications of the GOT, refer to the detailed manual.

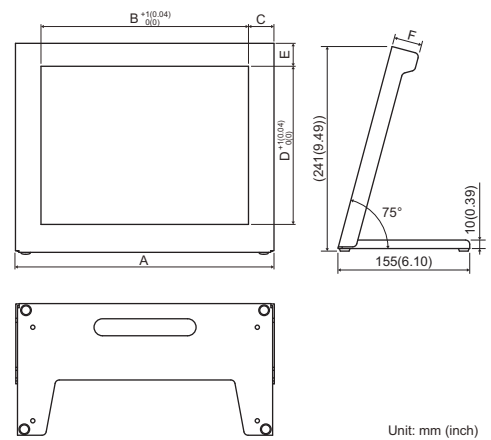
The following shows the screen size supported by the stand.

Product name	Model name	Description
Stand	GT25-10WSTAND	For 10.1" wide GOT
	GT21-07WSTAND	For 7" wide GOT
	GT25T-07WSTAND	For 7" rugged GOT

3. How to Use Stand

- 1) Put the GOT into the opening section of the stand from the back.
- 2) Put the mounting fixtures into the holes for the GOT mounting fixtures and fasten the mounting screws in the specified torque range (0.36 Nm to 0.48 Nm) to fix the GOT.
- 3) After the installation, perform wiring, etc.

4. External Dimensions



Model name	A	B	C	D	E	F
GT25-10WSTAND	304 (11.97)	243.5 (9.59)	30 (1.18)	185.5 (7.30)	27 (1.06)	33 (1.30)
GT21-07WSTAND	257 (10.12)	180.5 (7.11)	38 (1.50)	133.5 (5.26)	29.5 (1.16)	45 (1.77)
GT25T-07WSTAND	257 (10.12)	197 (7.76)	30 (1.18)	141 (5.55)	20 (0.79)	45 (1.77)

Model name	Weight
GT25-10WSTAND	1.1 kg(2.4 lb)
GT21-07WSTAND	1.3 kg(2.9 lb)
GT25T-07WSTAND	1.2 kg(2.6 lb)

Warranty

Mitsubishi Electric will not be held liable for damage caused by factors found not to be the cause of Mitsubishi Electric; machine damage or lost profits caused by faults in the Mitsubishi Electric products; damage, secondary damage, accident compensation caused by special factors unpredictable by Mitsubishi Electric; damages to products other than Mitsubishi Electric products; and to other duties.

⚠For safe use

- This product has been manufactured as a general-purpose part for general industries, and has not been designed or manufactured to be incorporated in a device or system used in purposes related to human life.
- Before using the product for special purposes such as nuclear power, electric power, aerospace, medicine or passenger movement vehicles, consult with Mitsubishi Electric.
- This product has been manufactured under strict quality control. However, when installing the product where major accidents or losses could occur if the product fails, install appropriate backup or failsafe functions in the system.

Sales office/Tel

Americas
Mitsubishi Electric Automation, Inc. 500 Corporate Woods Parkway, Vernon Hills, IL 60061, U.S.A. Tel: +1-847-478-2100
Mitsubishi Electric do Brasil Comercio e Servicos Ltda. Avenida Adelfino Castana, 293, 21 andar, Bethaville, Barueri SP, Brazil Tel: +55-11-4689-3000
Mitsubishi Electric Automation, Inc. Mexico Branch Boulevard Miguel de Cervantes Saavedra 301, Torre Norte Piso 5, Ampliacion Granada, Miguel Hidalgo, Ciudad de Mexico, Mexico, C.P.11520 Tel: +52-55-3067-7512
Europe
Mitsubishi Electric Europe B.V. German Branch Mitsubishi-Electric-Platz 1, 40882 Ratingen, Germany Tel: +49-2102-488-0
Mitsubishi Electric Europe B.V. UK Branch Travellers Lane, UK-Hatfield, Hertfordshire, AL10 8XB, U.K. Tel: +44-1707-28-8780
Mitsubishi Electric Europe B.V. Italian Branch Centro Direzionale Coleoni - Palazzo Sirio, Viale Colleoni 7, 20864 Agrate Brianza (MB), Italy Tel: +39-039-60531
Mitsubishi Electric Europe B.V. Spanish Branch Carretera de Rubi, 76-80-Appdo. 420, E-08190 Sant Cugat del Valles (Barcelona), Spain Tel: +34-935-65-3131
Mitsubishi Electric Europe B.V. French Branch 25, Boulevard des Bouvels, 92741 Nanterre Cedex, France Tel: +33-1-55-68-55-68
Mitsubishi Electric Europe B.V. Czech Branch Pekarska 62/17, 155 00 Praha 5, Czech Republic Tel: +420-255 719 200
Mitsubishi Electric Turkey A.S. Umranliye Branch Serifali Mahallesi Nutuk Sokak No:5, TR-34775 Umranliye / Istanbul, Turkey Tel: +90-216-526-3990
Mitsubishi Electric Europe B.V. Polish Branch ul. Krakowska 48, 32-083 Balice, Poland Tel: +48-12-347-65-00
Africa
Adroit Technologies 20 Waterford Office Park, 189 Witkoppen Road, Fourways, South Africa Tel: +27-11-658-8100
Asia-Pacific
Mitsubishi Electric Automation (China) Ltd. Mitsubishi Electric Automation Center, No.1386 Hongqiao Road, Shanghai, China Tel: +86-21-2322-3030
SETSUYO ENTERPRISE CO., LTD. 6F, No.105, Wugong 3rd Road, Wugu District, New Taipei City 24889, Taiwan Tel: +886-2-2259-2699
Mitsubishi Electric Automation Korea Co., Ltd. 7F to 9F, Gangseo Hangang Xi-tower A, 401, Yangcheon-ro, Gangseo-Gu, Seoul 07528, Korea Tel: +82-2-3960-9569
Mitsubishi Electric Asia Pte. Ltd. 307 Alexandra Road, Mitsubishi Electric Building, Singapore 159943 Tel: +65-6473-2308
Mitsubishi Electric Factory Automation (Thailand) Co. Ltd. 12th Floor, SV City Building, Office Tower 1, No. 896/19 and 20 Rama 3 Road, Kwang Sangkongpang, Khwaet Yamsawa, Bangkok 10120, Thailand Tel: +66-2682-6522 to 31
PT. Mitsubishi Electric Indonesia Gedung Jaya 8th Floor, Jl. MH. Thamrin No. 12, Jakarta Pusat 10340, Indonesia Tel: +62-21-3192-6461
Mitsubishi Electric Vietnam Company Limited 11th & 12th Floor, Viettel Tower B, 285 Cach Mang Thang 8 Street, Ward 12, District 10, Ho Chi Minh City, Vietnam. Tel: +84-28-3919-5945
Mitsubishi Electric India Pvt. Ltd. Pune Branch Emerald House, EL-3, J Block, M.I.D.C., Bhosari, Pune - 411026, Maharashtra, India Tel: +91-20-2710-2000
MITSUBISHI ELECTRIC AUSTRALIA PTY. LTD. 348 Victoria Road, P.O. Box 11, Rydalmere, N.S.W 2116, Australia Tel: +61-2-9684-7777

MITSUBISHI ELECTRIC CORPORATION

HEAD OFFICE: TOKYO BLDG., 2-7-3, MARUNOUCHI, CHiyODA-KU, TOKYO 100-8310, JAPAN
NAGOYA WORKS: 1-14, YADA-MINAMI 5-CHOME, HIGASHI-KU, NAGOYA 461-8670, JAPAN

When exported from Japan, this manual does not require application to the Ministry of Economy, Trade and Industry for service transaction permission.

Specifications subject to change without notice.
Printed in Japan, July 2023.