



PRESSURE-RESISTANT,EXPLOSION-PROOF MOTOR DRIVING INVERTER

FR-B, B3

INSTRUCTION MANUAL

(A500 SPECIFICATIONS)

Variable torque type

FR-B-750 to 45K(200V CLASS)

FR-B-750 to 55K(400V CLASS)

Running pressure-resistant, explosion-proof motors under V/F control

**Constant torque type
(Non-low acoustic noise
or low acoustic noise)**

FR-B3-(H)400 to 37K

FR-B3-N(H)400 to 37K

Running pressure-resistant, explosion-proof motors under advanced magnetic flux vector control

(Setting of offline auto tuning is required.
Refer to Chapter 3.)

OUTLINE Chapter 1

**INSTALLATION
AND WIRING** Chapter 2

**OPERATION/
CONTROL** Chapter 3

PARAMETERS Chapter 4

**PROTECTIVE
FUNCTIONS** Chapter 5

SPECIFICATIONS Chapter 6

OPTIONS Chapter 7

Thank you for choosing this Mitsubishi Pressure-Resistant, Explosion-Proof Motor Driving Inverter.

This instruction manual gives handling information and precautions for use of this equipment.

Incorrect handling might cause an unexpected fault. Before using the inverter, please read this manual carefully to use the equipment to its optimum.

Please forward this manual to the end user.

This section is specifically about safety matters

Do not attempt to install, operate, maintain or inspect the inverter until you have read through this instruction manual and appended documents carefully and can use the equipment correctly.

Do not use the inverter until you have a full knowledge of the equipment, safety information and instructions.

In this instruction manual, the safety instruction levels are classified into "WARNING" and "CAUTION".



Assumes that incorrect handling may cause hazardous conditions, resulting in death or severe injury.



Assumes that incorrect handling may cause hazardous conditions, resulting in medium or slight injury, or may cause physical damage only.

Note that the CAUTION level may lead to a serious consequence according to conditions. Please follow the instructions of both levels because they are important to personnel safety.

SAFETY INSTRUCTIONS

1. Electric Shock Prevention



WARNING

- While power is on or when the inverter is running, do not open the front cover. You may get an electric shock.
- Do not run the inverter with the front cover removed. Otherwise, you may access the exposed high-voltage terminals or the charging part of the circuitry and get an electric shock.
- If power is off, do not remove the front cover except for wiring or periodic inspection. You may access the charged inverter circuits and get an electric shock.
- Before starting wiring or inspection, switch power off, wait for more than at least 10 minutes and check for the presence of any residual voltage with a meter (check chapter 2 for further details.) etc.
- Earth the inverter.
- Any person who is involved in the wiring or inspection of this equipment should be fully competent to do the work.
- Always install the inverter before wiring. Otherwise, you may get an electric shock or be injured.
- Operate the switches with dry hands to prevent an electric shock.
- Do not subject the cables to scratches, excessive stress, heavy loads or pinching. Otherwise, you may get an electric shock.
- Do not change the cooling fan while power is on. To do so will invite a hazardous condition.

2. Fire Prevention



CAUTION

- Mount the inverter on an incombustible surface. Installing the inverter directly on or near a combustible surface could lead to a fire.
- If the inverter has become faulty, switch off the inverter power. A continuous flow of large current could cause a fire.
- Do not connect a resistor directly to the DC terminals P, N. This could cause a fire.

3. Injury Prevention



CAUTION

- Apply only the voltage specified in the instruction manual to each terminal to prevent damage etc.
- Ensure that the cables are connected to the correct terminals. Otherwise, damage etc. may occur.
- Always make sure that polarity is correct to prevent damage etc.
- After the inverter has been operating for a relatively long period of time, do not touch the inverter as it may be hot and you may get burnt.

4. Additional instructions

Also note the following points to prevent an accidental failure, injury, electric shock, etc.:

(1) Transportation and installation

CAUTION

- Since the inverter is non-explosion-proof, always install it in a non-hazardous place.
- When carrying products, use correct lifting gear to prevent injury.
- Do not stack the inverter boxes higher than the number recommended.
- Ensure that installation position and material can withstand the weight of the inverter. Install according to the information in the Instruction Manual.
- Do not operate if the inverter is damaged or has parts missing.
- Do not hold the inverter by the front cover; it may fall off.
- Do not stand or rest heavy objects on the inverter.
- Check the inverter mounting orientation is correct.
- Prevent screws, wire fragments, conductive bodies, oil or other flammable substances from entering the inverter.
- Do not drop the inverter, or subject it to impact.
- Use the inverter under the following environmental conditions:

Environment	Ambient temperature	-10°C to +50°C (non-freezing) (-10°C to +40°C when using the dirt-protection structure attachment)
	Ambient humidity	90%RH or less (non-condensing)
	Storage temperature	-20°C to +65°C*
	Ambience	Indoors (free from corrosive gas, flammable gas, oil mist, dust and dirt)
	Altitude, vibration	Maximum 1000m above sea level for standard operation. 5.9 m/s ² or less (conforming to JIS C0911)

*Temperatures applicable for a short time, e.g. in transit.

(2) Wiring

CAUTION

- Do not fit capacitive equipment such as a power factor correction capacitor, radio noise filter or surge suppressor to the output of the inverter.
- The connection orientation of the output cables U, V, W to the motor will affect the direction of rotation of the motor.

(3) Trial run

CAUTION

- Run the FR-B3 under advanced magnetic flux vector control.
- Check all parameters, and ensure that the machine will not be damaged by a sudden start-up.

(4) Operation

CAUTION

- Since this inverter is used in combination with the Mitsubishi inverter-driven, pressure-resistant, explosion-proof motor, note the driven motor used with the inverter.
- Note that this inverter cannot be used with the Mitsubishi increased-safety, explosion-proof motor.
- When you have chosen the retry function, stay away from the equipment as it will restart suddenly after an alarm stop.
- The [STOP] key is valid only when the appropriate function setting has been made. Prepare an emergency stop switch separately.

 CAUTION

- Make sure that the start signal is off before resetting the inverter alarm. A failure to do so may restart the motor suddenly.
- The load used should be a three-phase induction motor only. Connection of any other electrical equipment to the inverter output may damage the equipment.
- Do not modify the inverter.
- The electronic overcurrent protection does not guarantee protection of the motor from overheating.
- Do not use a magnetic contactor on the inverter input for frequent starting/stopping of the inverter.
- Use a noise filter to reduce the effect of electromagnetic interference. Otherwise nearby electronic equipment may be affected.
- Take measures to suppress harmonics. Otherwise power harmonics from the inverter may heat/damage the power capacitor and generator.
- When parameter clear or all clear is performed, each parameter returns to the factory setting. Re-set the required parameters before starting operation.
- The inverter can be easily set for high-speed operation. Before changing its setting, examine the performance of the motor and machine.
- In addition to the inverter's holding function, install a holding device to ensure safety.
- Before running an inverter which had been stored for a long period, always perform inspection and test operation.

(5) Emergency stop

 CAUTION

- Provide a safety backup such as an emergency brake which will prevent the machine and equipment from hazardous conditions if the inverter fails.

(6) Maintenance, inspection and parts replacement

 CAUTION

- Do not carry out a megger (insulation resistance) test on the control circuit of the inverter.

(7) Disposing of the inverter

 CAUTION

- Treat as industrial waste.

(8) General instructions

Many of the diagrams and drawings in this instruction manual show the inverter without a cover, or partially open. Never run the inverter like this. Always replace the cover and follow this instruction manual when operating the inverter.

CONTENTS

1	OUTLINE	1
1.1	Pre-Operation Information	1
1.1.1	Precautions for operation	1
1.2	Basic Configuration	2
1.2.1	Basic configuration	2
1.3	Structure	3
1.3.1	Appearance and structure	3
1.3.2	Removal and reinstallation of the front cover	4
1.3.3	Removal and reinstallation of the operation panel	6
2	INSTALLATION AND WIRING	7
2.1	Installation	7
2.1.1	Instructions for installation	7
2.2	Wiring	9
2.2.1	Terminal connection diagram	9
2.2.2	Wiring of the main circuit	12
2.2.3	Wiring of the control circuit	19
2.2.4	Connection to the PU connector	22
2.2.5	Connection of stand-alone option units	25
2.2.6	Design information	29
2.3	Other Wiring	30
2.3.1	Power harmonics	30
2.3.2	Japanese harmonic suppression guidelines	31
2.3.3	Inverter-generated noises and reduction techniques	34
2.3.4	Leakage currents and countermeasures	37
2.3.5	Peripheral devices	38
3	OPERATION/CONTROL	40
3.1	Pre-Operation Information	40
3.1.1	Devices and parts to be prepared for operation	40
3.1.2	Power on	42
3.2	About the Control Panel	43
3.2.1	Names and functions of the operation panel (FR-DU04)	43
3.2.2	Monitor display changed by pressing the [MODE] key	44
3.2.3	Monitoring mode	44
3.2.4	Frequency setting mode	44
3.2.5	Parameter setting mode	45
3.2.6	Operation mode	45
3.2.7	Help mode	46
3.2.8	Copy mode	47
3.3	Operation	48
3.3.1	Pre-operation checks	48
3.3.2	External operation mode (Operation using external input signals)	49
3.3.3	PU operation mode (Operation using the operation panel (FR-DU04))	50
3.3.4	Combined operation mode (Operation using the external input signals and PU)	51

4.1 Parameter List	52
4.1.1 Parameter list	52
4.1.2 List of Parameters Classified by Purpose of Use	61
4.1.3 Parameters recommended to be set by the user.....	62
4.2 Parameter Function Details	63
4.2.1 Output frequency range (Pr. 1, Pr. 2)	63
4.2.2 Multi-speed operation (Pr. 4 to Pr. 6, Pr. 24 to Pr. 27, Pr. 232 to Pr. 239)	64
4.2.3 Acceleration/deceleration time (Pr. 7, Pr. 8, Pr. 20, Pr. 21, Pr. 44, Pr. 45, Pr. 110, Pr. 111)	66
4.2.4 Electronic overcurrent protection (Pr. 9)	68
4.2.5 DC dynamic brake (Pr.10, Pr. 11, Pr.12)	69
4.2.6 Starting frequency (Pr. 13).....	70
4.2.7 Jog operation (Pr. 15, Pr. 16)	71
4.2.8 MRS input selection (Pr. 17).....	72
4.2.9 Stall prevention (Pr. 22, Pr. 23, Pr. 66, Pr. 148, Pr. 149, Pr. 154)	73
4.2.10Multi-speed input compensation (Pr. 28)	74
4.2.11Acceleration/deceleration pattern (Pr. 29, Pr. 140 to Pr. 143)	75
4.2.12Regenerative function selection (Pr. 30, Pr. 70)	76
4.2.13Frequency jump (Pr. 31 to Pr. 36)	78
4.2.14Speed display (Pr. 37, Pr. 144).....	79
4.2.15Up-to-frequency sensitivity (Pr. 41)	80
4.2.16Output frequency detection (Pr. 42, Pr. 43, Pr. 50, Pr. 116).....	80
4.2.17Second/third stall prevention (Pr. 48, Pr. 49, Pr. 114, Pr. 115).....	82
4.2.18Monitor display/FM, AM terminal function selection (Pr. 52 to Pr. 54, Pr. 158)	83
4.2.19Monitoring reference (Pr. 55, Pr. 56)	86
4.2.20Automatic restart after instantaneous power failure (Pr. 57, Pr. 58, Pr. 162 to Pr. 165).....	87
4.2.21Remote setting function selection (Pr. 59).....	89
4.2.22Intelligent mode selection (Pr. 60)	90
4.2.23 Acceleration/deceleration reference current (Pr. 61 to Pr. 64)	92
4.2.24Retry function (Pr. 65, Pr. 67 to Pr. 69)	93
4.2.25Applied motor (Pr. 71).....	94
4.2.26PWM carrier frequency (Pr. 72, Pr. 240)	96
4.2.27Voltage input (Pr. 73).....	97
4.2.28Input filter time constant (Pr. 74)	98
4.2.29Reset selection/PU disconnection detection/PU stop selection (Pr. 75)	98
4.2.30Alarm code output selection (Pr. 76)	101
4.2.31Parameter Write Inhibit Selection (Pr. 77)	102
4.2.32Reverse rotation prevention selection (Pr. 78)	103
4.2.33Operation mode selection (Pr. 79).....	104
4.2.34Motor constants (Pr. 80, Pr. 81, Pr. 89)	107
4.2.35Offline auto tuning function (Pr. 82 to Pr. 84, Pr. 90 to Pr. 94, Pr. 96)	108
4.2.36Computer link operation (Pr. 117 to Pr. 124)	113
4.2.37PID control (Pr. 128 to Pr. 134)	125
4.2.38Output current detection function (Pr. 150, Pr. 151)	132
4.2.39Zero current detection (Pr. 152, Pr. 153).....	133
4.2.40RT signal activated condition selection (Pr. 155).....	134
4.2.41Stall prevention function and current limit function (Pr. 156)	134
4.2.42OL signal output timer (Pr. 157).....	136
4.2.43User group selection (Pr. 160, Pr. 173 to Pr. 176).....	137

- 4.2.44 Watt-hour meter clear/actual operation hour meter clear (Pr. 170, Pr. 171) 138
- 4.2.45 Input terminal function selection (Pr. 180 to Pr. 186) 139
- 4.2.46 Output terminal function selection (Pr. 190 to Pr. 195)..... 142
- 4.2.47 User's initial value setting (Pr. 199) 144
- 4.2.48 Programmed operation function (Pr. 200 to Pr. 231)..... 145
- 4.2.49 Cooling fan operation selection (Pr. 244) 149
- 4.2.50 Stop selection (Pr. 250) 150
- 4.2.51 Output phase failure protection selection (Pr. 251) 151
- 4.2.52 Override bias/gain (Pr. 252, Pr. 253) 151
- 4.2.53 Power failure-time deceleration-to-stop function (Pr. 261 to Pr. 266)..... 152
- 4.2.54 Stop-on-Contact, Load torque high-speed frequency selection (Pr. 270)..... 153
- 4.2.55 High-speed frequency control (Pr. 271 to Pr. 274) 154
- 4.2.56 Stop-on-contact control function (Pr. 275, Pr. 276) 157
- 4.2.57 Brake sequence function (Pr. 278 to Pr. 285)..... 161
- 4.2.58 Droop control (Pr. 286, Pr. 287)..... 165
- 4.2.59 Meter (frequency meter) calibration (Pr. 900, Pr. 901) 166
- 4.2.60 Frequency setting voltage (current) bias and gain (Pr. 902 to Pr. 905)..... 168
- 4.2.61 Buzzer control (Pr. 990)..... 173

5 PROTECTIVE FUNCTIONS	174
-------------------------------	------------

- 5.1 Errors (Alarms) 174
 - 5.1.1 Error (alarm) definitions 174
 - 5.1.2 To know the operating status at the occurrence of an alarm..... 182
 - 5.1.3 Correspondences between digital and actual characters 182
 - 5.1.4 Alarm code output 183
 - 5.1.5 Resetting the inverter..... 183
- 5.2 Troubleshooting..... 184
 - 5.2.1 Motor remains stopped 184
 - 5.2.2 Motor rotates in opposite direction..... 184
 - 5.2.3 Speed greatly differs from the setting..... 184
 - 5.2.4 Acceleration/deceleration is not smooth..... 184
 - 5.2.5 Motor current is large..... 184
 - 5.2.6 Speed does not increase..... 185
 - 5.2.7 Speed varies during operation..... 185
 - 5.2.8 Operation mode is not changed properly..... 185
 - 5.2.9 Operation panel (FR-DU04) display is not provided 185
 - 5.2.10 POWER lamp is not lit..... 185
 - 5.2.11 Parameter write cannot be performed 185
- 5.3 Precautions for Maintenance and Inspection 186
 - 5.3.1 Precautions for maintenance and inspection..... 186
 - 5.3.2 Check items 186
 - 5.3.3 Periodic inspection 186
 - 5.3.4 Insulation resistance test using megger 187
 - 5.3.5 Pressure test 187
 - 5.3.6 Daily and Periodic Inspection 187
 - 5.3.7 Replacement of parts 190
 - 5.3.8 Inverter replacement..... 191
 - 5.3.9 Measurement of main circuit voltages, currents and power 192

6 SPECIFICATIONS	194
------------------	-----

6.1 Standard Specifications	194
6.1.1 Model specifications	194
6.1.2 Specifications common to the FR-B series.....	196
6.1.3 Model specifications	197
6.1.4 Specifications common to the FR-B3 series.....	199
6.1.5 Outline drawings	201

7 OPTIONS	205
-----------	-----

7.1 Option List	205
7.1.1 Stand-alone options.....	205
7.1.2 Inboard dedicated options	207

APPENDICES	208
------------	-----

Appendix 1 Data Code List	208
---------------------------------	-----

CHAPTER 1

OUTLINE

This chapter gives information on the basic "outline" of this product.

Always read the instructions in this chapter before using the equipment.

1.1 Pre-Operation Information.....	1
1.2 Basic Configuration.....	2
1.3 Structure	3

<Abbreviations>

- DU
Operation panel (FR-DU04)
- PU
Operation panel (FR-DU04) and parameter unit (FR-PU04)
- Inverter
Mitsubishi pressure-resistant, explosion-proof motor driving inverter FR-B, B3 series
- Pr.
Parameter number
- PU operation
Operation using the PU (FR-DU04/FR-PU04)
- External operation
Operation using the control circuit signals
- Combined operation
Operation using both the PU (FR-DU04/FR-PU04) and external operation
- FR-B (A200E)
Mitsubishi pressure-resistant, explosion-proof motor driving inverter FR-B (A200E specifications) series

Chapter 1

Chapter 2

Chapter 3

Chapter 4

Chapter 5

Chapter 6

Chapter 7

1.1 Pre-Operation Information

1.1.1 Precautions for operation

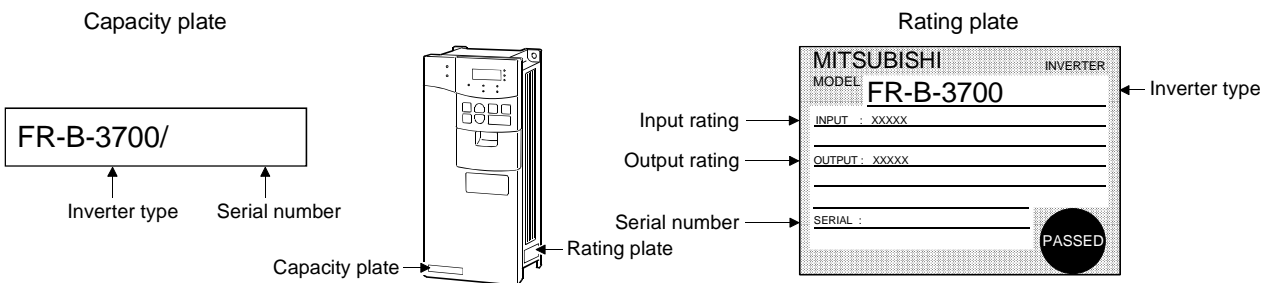
Incorrect handling might cause the inverter to operate improperly, its life to be reduced considerably, or at the worst, the inverter to be damaged. Handle the inverter properly in accordance with the information in each section as well as the precautions and instructions of this manual to use it correctly.

This manual is written for the FR-B, B3 series pressure-resistant, explosion-proof motor driving inverters. For handling information on the parameter unit (FR-PU04), inboard options, stand-alone options, etc., refer to the corresponding manuals.

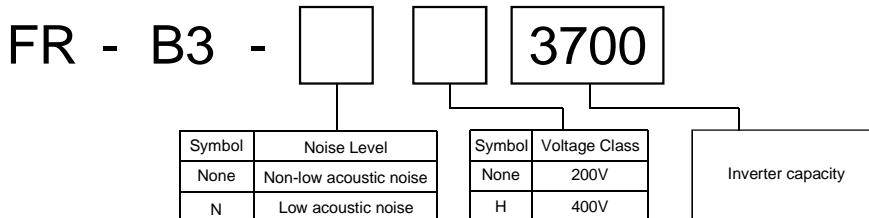
(1) Unpacking and product check

Unpack the inverter and check the capacity plate on the front cover and the rating plate on the inverter side face to ensure that the product agrees with your order and the inverter is intact. Since this inverter is used with the Mitsubishi inverter-driven pressure-resistant, explosion-proof motor, especially note the driven motor used with the inverter. (It should be noted that this inverter can not be used with the Mitsubishi increased-safety, explosion-proof motor.)

1) Inverter type



● FR-B3 series inverter type



Note: To know the voltage class of the FR-B series, confirm it with the input rating given on the rating plate.

2) Accessory Instruction manual

If you have found any discrepancy, damage, etc., please contact your sales representative.

(2) Preparations of instruments and parts required for operation

Instruments and parts to be prepared depend on how the inverter is operated. Prepare equipment and parts as necessary. (Refer to page 40.)

(3) Installation

To operate the inverter with high performance for a long time, install the inverter in a proper place, in the correct direction, and with proper clearances. (Refer to page 7.)

(4) Wiring

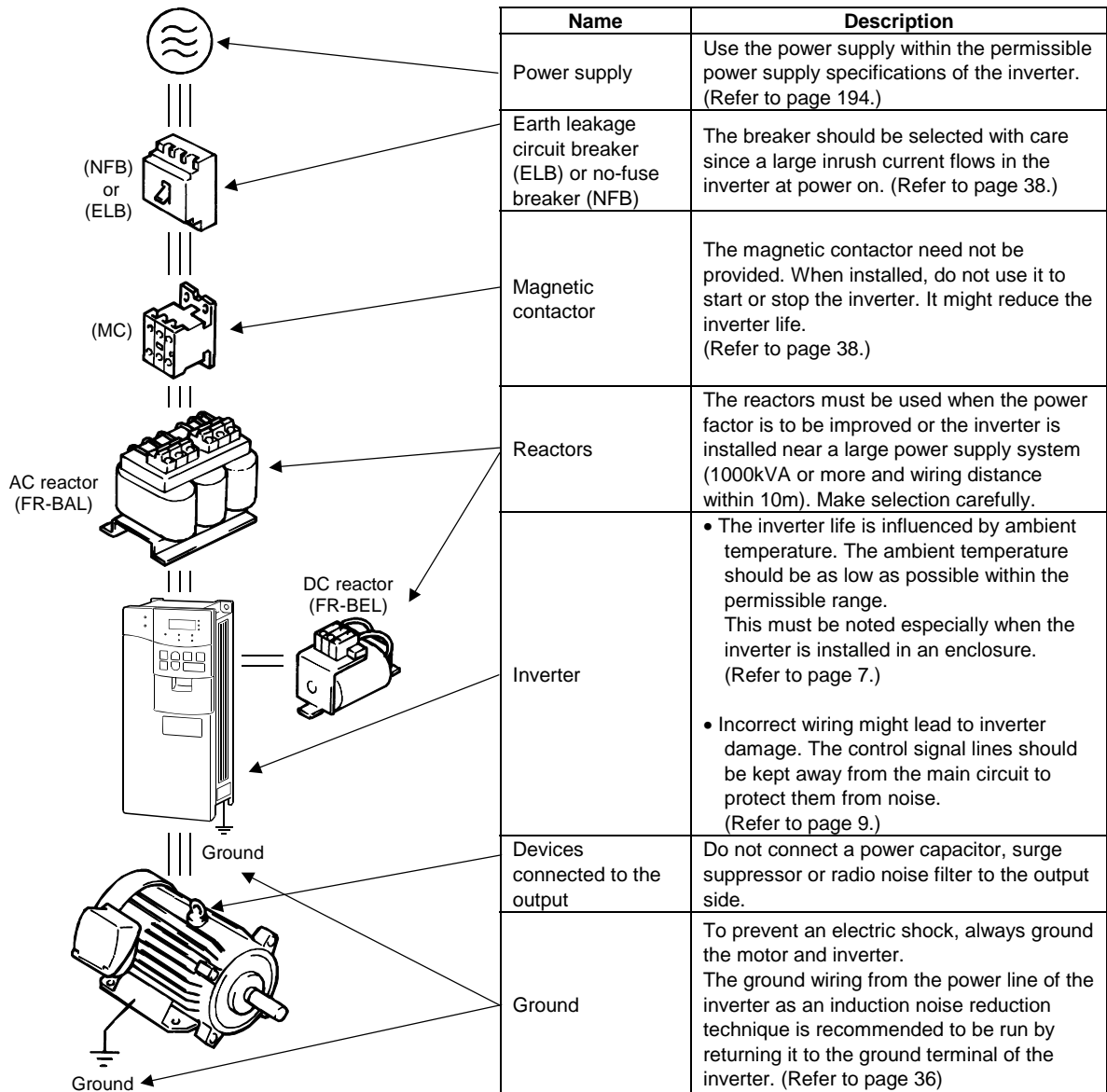
Connect the power supply, motor and operation signals (control signals) to the terminal block. Note that incorrect connection may damage the inverter and peripheral devices. (See page 9.)

1.2 Basic Configuration

1.2.1 Basic configuration

The following devices are required to operate the inverter. Proper peripheral devices must be selected and correct connections made to ensure proper operation. Incorrect system configuration and connections can cause the inverter to operate improperly, its life to be reduced considerably, and in the worst case, the inverter to be damaged.

Please handle the inverter properly in accordance with the information in each section as well as the precautions and instructions of this manual. (For connections of the peripheral devices, refer to the corresponding manuals.)



1

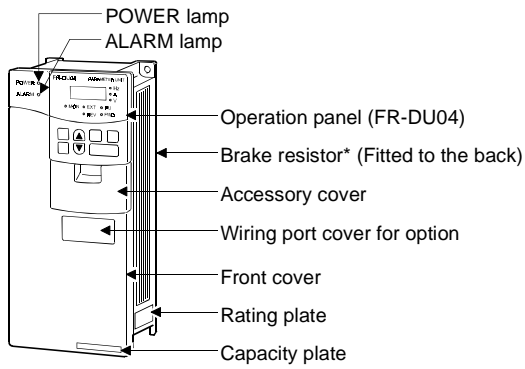
Japanese Harmonic Suppression Guideline

The "harmonic suppression guideline for household appliances and general-purpose products" was issued by the Ministry of International Trade and Industry in September, 1994. This guideline applies to the FR-B, B3-750 to 3700 (200V class). By connection of the power factor improving reactor (FR-BEL or FR-BAL), this product conforms to the "harmonic suppression technique for transistorized inverters (input current 20A or less)" set forth by the Japan Electrical Manufacturers' Association.

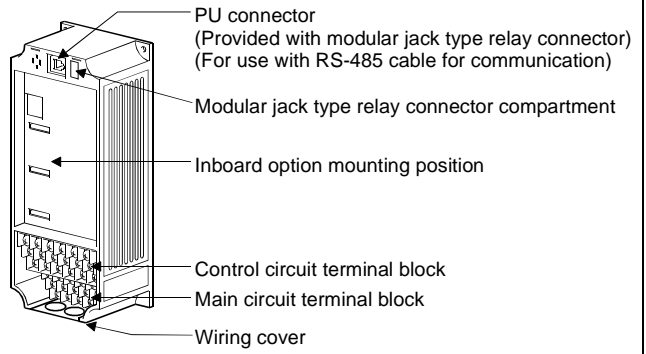
1.3 Structure

1.3.1 Appearance and structure

(1) Front view



(2) Without front cover



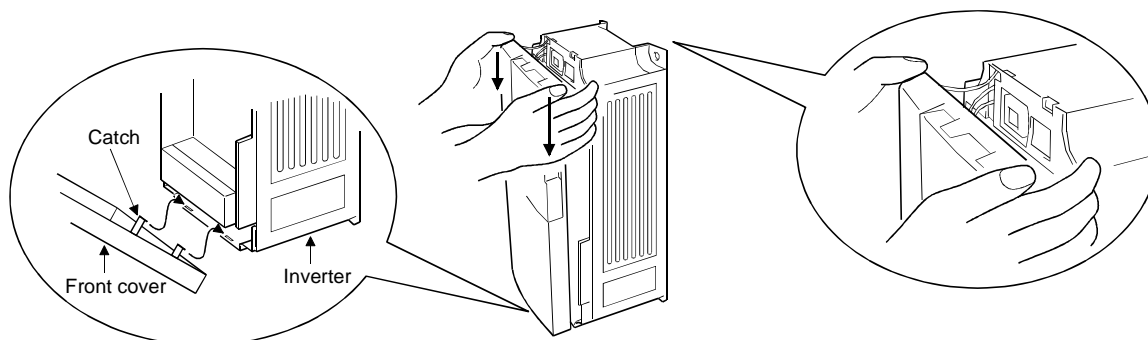
*7.5K or less inverters are equipped with an inboard brake resistor.

1.3.2 Removal and reinstallation of the front cover

FR-B-750 to 11K (200V class), FR-B-750 to 7.5K (400V class) FR-B3-(N)400 to 11K, FR-B3-(N)H400 to 7.5K

• Removal

- 1) Hold both sides of the front cover top and push the front cover down.
 - 2) Hold down the front cover and pull it toward you to remove.
- (The front cover may be removed with the PU (FR-DU04/FR-PU04) on.)



• Reinstallation

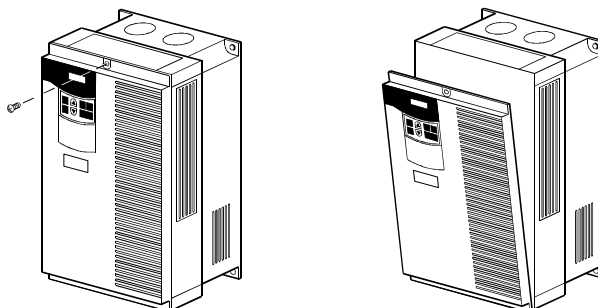
- 1) Insert the catches at the bottom of the front cover into the sockets of the inverter.
- 2) Using the catches as supports, securely press the front cover against the inverter.

Note: When the operation panel is mounted and the front cover is removed, remove the operation panel before reinstalling the front cover.

FR-B-15K, 22K (200V class), FR-B-15K, 22K (400V class) FR-B3-(N)15K to 22K, FR-B3-(N)H11K to 22K

• Removal

- 1) Remove the installation screw at top of the front cover.
 - 2) Hold both ends of the front cover top.
 - 3) Pull the front cover toward you to remove.
- (The front cover may be removed with the PU (FR-DU04/FR-PU04) on.)



• Reinstallation

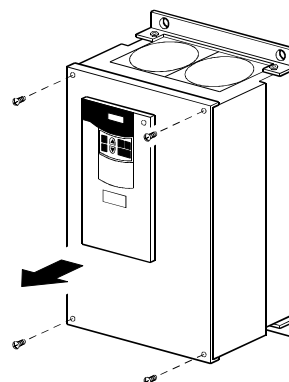
- 1) Insert the catches at the front cover bottom into the sockets of the inverter.
- 2) Using the catches as supports, securely press the front cover against the inverter.
- 3) Fix the front cover with the top screw.

Note: When the operation panel is mounted on the front cover removed, remove the operation panel before reinstalling the front cover.

**FR-B-30K to 45K (200V class), FR-B-37K, 55K (400V class)
FR-B3-(N)30K to 37K, FR-B3-(N)H30K to 37K**

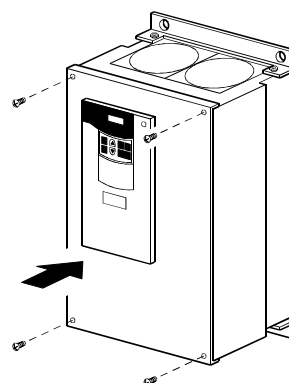
• Removal

- 1) Remove the front cover mounting screws.



• Reinstallation

- 1) Fix the front cover with the mounting screws.



Note: 1. Make sure that the front cover has been reinstalled securely.

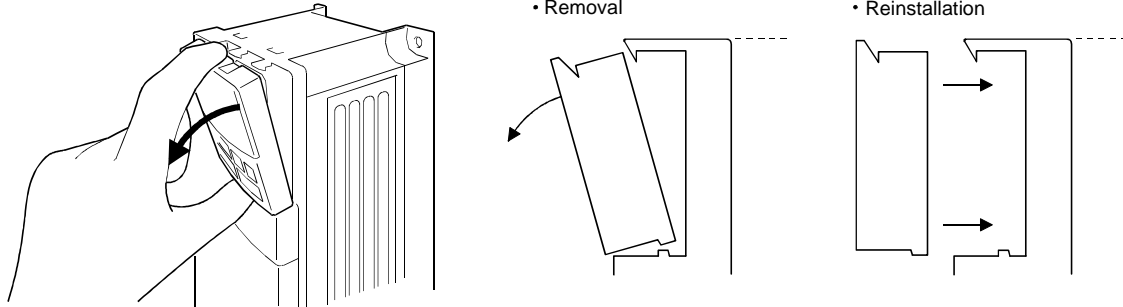
2. The same serial number is printed on the capacity plate of the front cover and the rating plate of the inverter. Before reinstalling the front cover, check the serial number to ensure that the cover removed is reinstalled to the inverter from where it was removed.

1.3.3 Removal and reinstallation of the operation panel

To ensure safety, remove and reinstall the operation panel after switching power off.

- Removal

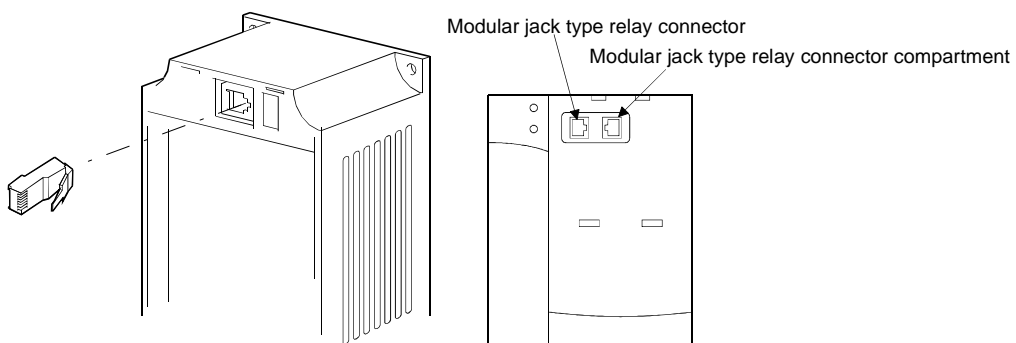
Hold down the top button of the operation panel and pull the operation panel toward you to remove.



To reinstall, insert straight and mount securely.

- Reinstallation using the connection cables

- 1) Remove the operation panel.
- 2) Disconnect the modular jack type relay connector. (Place the disconnected modular jack type relay connector in the modular jack type relay connector compartment.)



- 3) Securely plug one end of the connection cable into the PU connector (modular jack type relay connector) of the inverter and the other end into the operation panel. (For the connection cable, refer to page 22.)

Note: Install the operation panel only when the front cover is on the inverter.



MEMO

CHAPTER 2

INSTALLATION AND WIRING

This chapter gives information on the basic "installation and wiring" of this product.

Always read the instructions in this chapter before using the equipment.

2.1 Installation.....	7
2.2 Wiring	9
2.3 Other Wiring.....	30

Chapter 1

Chapter 2

Chapter 3

Chapter 4

Chapter 5

Chapter 6

Chapter 7

2.1 Installation

INSTALLATION AND WIRING

Since the inverter is non-explosion-proof, always install it in a non-hazardous place.

2.1.1 Instructions for installation

1) Handle the unit carefully.

The inverter uses plastic parts. Handle it gently to protect it from damage. Also, hold the unit with even strength and do not apply too much strength to the front cover alone.

2) Install the inverter in a place where it is immune to vibration. (5.9 m/s^2 or less)

Also note the cart, press, etc.

3) Note on ambient temperature

The inverter life is under great influence of ambient temperature. In the place of installation, ambient temperature must be within the permissible range (-10°C to 50°C). Check that the ambient temperature is within that range in the positions shown in figure 3).

4) Install the inverter on a non-combustible surface.

The inverter will be very hot (maximum about 150°C). Install it on a non-combustible surface (e.g. metal). Also leave sufficient clearances around the inverter.

5) Avoid high temperature and high humidity.

Avoid direct sunlight and places of high temperature and high humidity.

6) The amount of heat generated in an enclosure can be reduced considerably by placing the heat sink outside the enclosure.

Note: 1. Use the option (FR-A5CN□□) for installation. The mounting area should be cut to the panel cutting dimensions.

2. The cooling section outside the enclosure has the cooling fan. Do not use the inverter in any environment where it is exposed to waterdrops, oil mist, dust, etc.

7) Avoid places where the inverter is exposed to oil mist, flammable gases, fluff, dust, dirt etc.

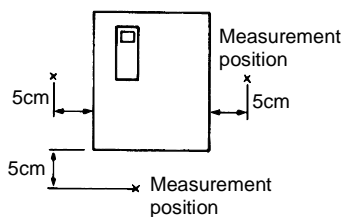
Install the inverter in a clean place or inside a "totally enclosed" panel which does not accept any suspended matter.

8) Note the cooling method when the inverter is installed in an enclosure.

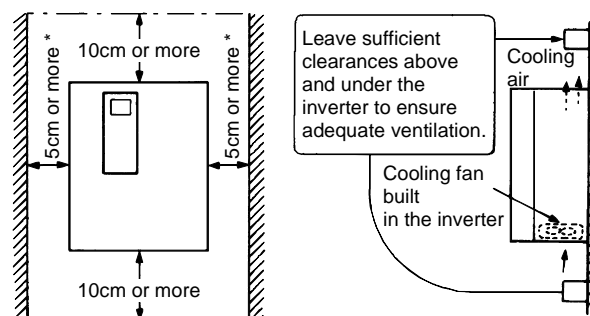
When two or more inverters are installed or a ventilation fan is mounted in an enclosure, the inverters and ventilation fan must be installed in proper positions with extreme care taken to keep the ambient temperatures of the inverters below the permissible value. If they are installed in improper positions, the ambient temperatures of the inverters will rise and ventilation effect will be reduced.

9) Install the inverter securely with screws or bolts in the vertical direction.

3) Note on ambient temperature

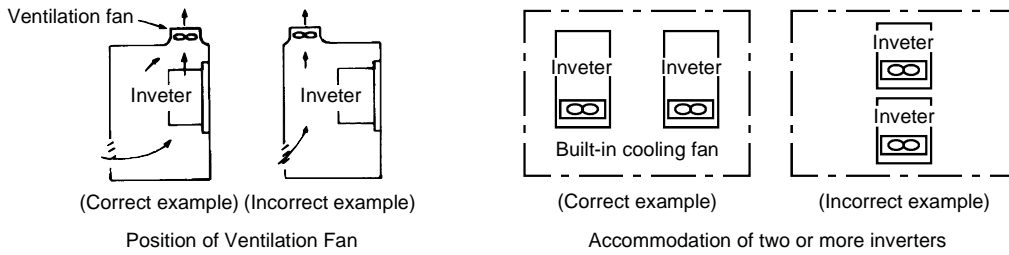


4) Clearances around the inverter

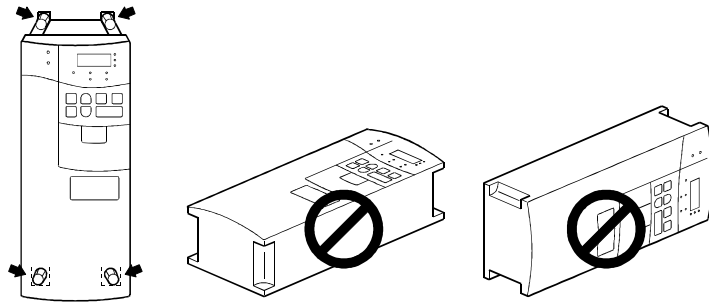


*: 1cm or more for model 3.7K or less
These clearances are also necessary for changing the cooling fan.

8) For installation in an enclosure



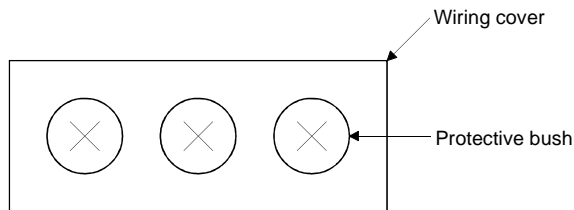
9) Vertical mounting



(1) Wiring cover and handling (22K or less)

1) When cable conduits are not connected

Cut the protective bushes of the wiring cover with nippers or a cutter before running the cables.

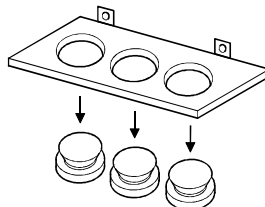


⚡ WARNING

Do not remove the protective bushes. Otherwise, the cable sheathes may be scratched by the wiring cover edges, resulting in a short circuit or ground fault.

2) When cable conduits are connected

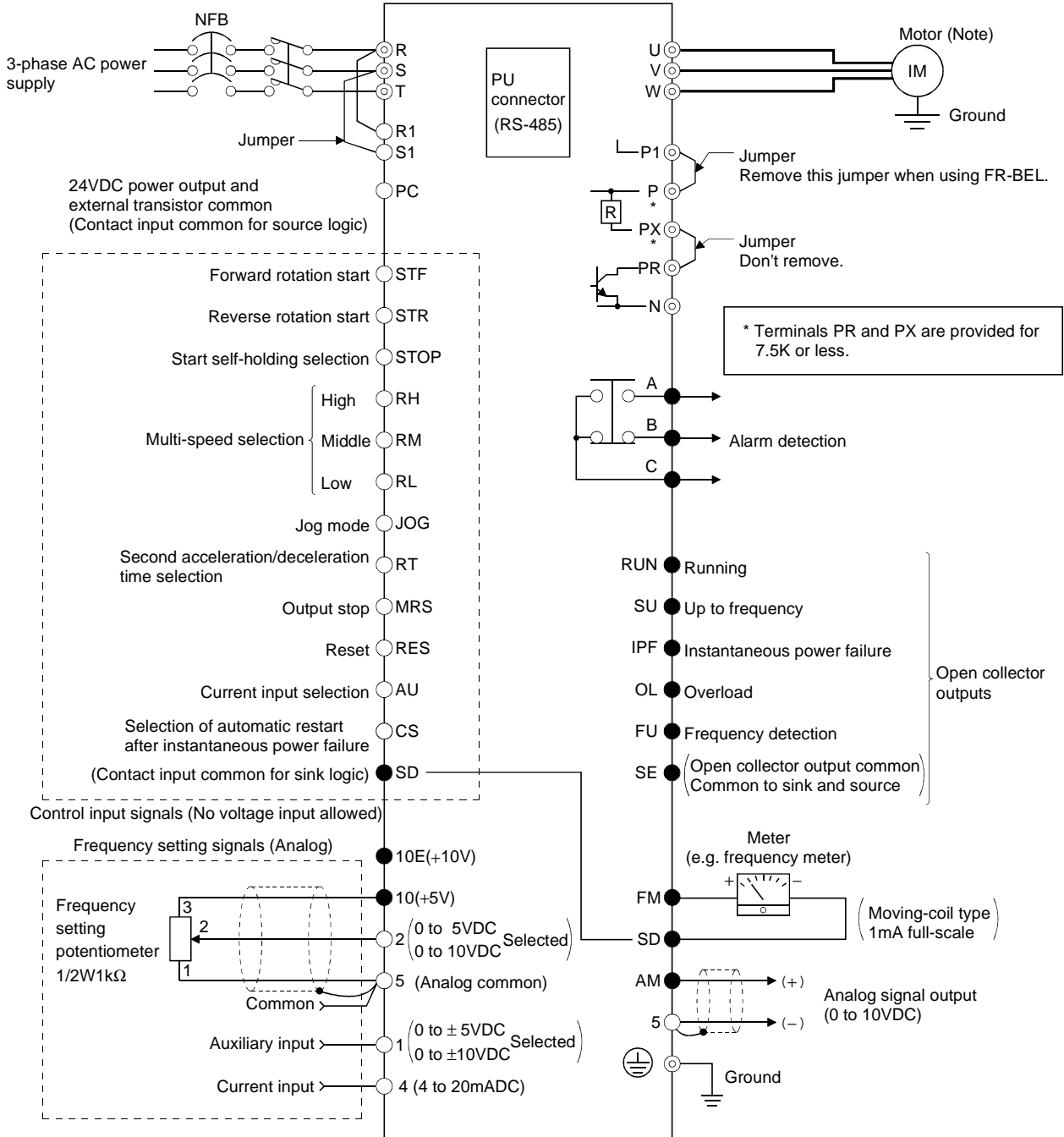
Remove the corresponding protective bushes and connect the cable conduits.



2.2 Wiring


2.2.1 Terminal connection diagram

- ⊙ Main circuit terminal
- Control circuit input terminal
- Control circuit output terminal



Note: It is mandatory to use the Mitsubishi pressure-resistant, explosion-proof motor with the inverter which has been approved for combination by the Labor Ministry's explosion-proof certification. Therefore, always use the Mitsubishi pressure-resistant, explosion-proof motor in combination with its approved driving inverter.

(1) Description of main circuit terminals

Symbol	Terminal Name	Description
R, S, T	AC power input	Connect to the commercial power supply. Keep these terminals open when using the high power factor converter (FR-HC) (Note).
U, V, W	Inverter output	Connect a three-phase squirrel-cage motor.
R1, S1	Power supply for control circuit	Connected to the AC power supply terminals R and S. To retain the alarm display or alarm output or when using the high power factor converter (FR-HC) (Note), remove the jumpers from terminals R-R1 and S-S1, and input external power to these terminals.
P, PR	Brake resistor connection	Disconnect the jumper from terminals PR-PX and connect the optional brake resistor (FR-ABR) (Note) across terminals P-PR.
P, N	Brake unit connection	Connect the optional FR-BU brake unit (Note), power return converter (FR-RC) (Note) or high power factor converter (FR-HC) (Note).
P, P1	Power factor improving DC reactor connection	Disconnect the jumper from terminals P-P1 and connect the optional power factor improving reactor (FR-BEL).
PR, PX	Built-in brake circuit connection	When the jumper is connected across terminals PX-PR (factory setting), the built-in brake circuit is valid. (Provided for 7.5K or less.)
	Ground	For grounding the inverter chassis. Must be earthed.

Note : When using this option, the explosion-proof certification test is required separately.

It should be noted that the test is not required when the high power factor converter (FR-HC) is used for power factor improvement. (It cannot be used with the FR-B series.)

(2) Description of control circuit terminals

Type	Symbol	Terminal Name	Description
Input signals Contacts, e.g. start (STF), stop (STOP) etc.	STF	Forward rotation start	Turn on the STF signal to start forward rotation and turn it off to stop. Acts as a programmed operation start signal in the programmed operation mode. (Turn on to start and turn off to stop.)
	STR	Reverse rotation start	Turn on the STR signal to start reverse rotation and turn it off to stop.
	STOP	Start self-holding selection	Turn on the STOP signal to select the self-holding of the start signal.
	RH, RM, RL	Multi-speed selection	Use the RH, RM and RL signals as appropriate to select multiple speeds.
	JOG	JOG mode selection	Turn on the JOG signal to select jog operation (factory setting). Jog operation can be performed with the start signal (STF or STR).
	RT	Second acceleration/ deceleration time selection	Turn on the RT signal to select the second acceleration/ deceleration time.
	MRS	Output stop	Turn on the MRS signal (20ms or longer) to stop the inverter output. Used to shut off the inverter output to bring the motor to a stop by the magnetic brake.
	RES	Reset	Used to reset the protective circuit activated. Turn on the RES signal for more than 0.1 second, then turn it off.
	AU	Current input selection	Only when the AU signal is turned on, the inverter can be operated with the 4-20mADC frequency-setting signal.
	CS	Automatic restart after instantaneous power failure selection	With the CS signal on, restart can be made automatically when the power is restored after an instantaneous power failure. Note that this operation requires restart parameters to be set. When the inverter is shipped from the factory, it is set to disallow restart.
	SD	Contact input common (sink)	Common to the contact input terminals and terminal FM. Common output terminal for 24VDC 0.1A power (PC terminal).
	PC	24VDC power and external transistor common Contact input common (source)	When transistor output (open collector output), such as a programmable controller, is connected, connect the external power supply common for transistor output to this terminal to prevent a fault caused by leakage current. This terminal can be used as a 24VDC, 0.1A power output. When source logic has been selected, this terminal serves as a contact input common.



INSTALLATION AND WIRING

Type	Symbol	Terminal Name	Description		
Analog	Frequency setting	10E	10VDC, permissible load current 10mA	When the frequency setting potentiometer is connected in the factory-set state, connect it to terminal 10. When it is connected to terminal 10E, change the input specifications of terminal 2.	
		10	5VDC, permissible load current 10mA		
		2	Frequency setting (voltage)	By entering 0 to 5VDC (0 to 10VDC), the maximum output frequency is reached at 5V (or 10V) and I/O are proportional. Use Pr. 73 to switch between input 0-5VDC (factory setting) and 0-10VDC. Input resistance 10kΩ. Maximum permissible voltage 20V.	
		4	Frequency setting (current)	By entering 4 to 20mADC, the maximum output frequency is reached at 20mA and I/O are proportional. This input signal is valid only when the AU signal is on. Input resistance 250Ω. Maximum permissible current 30mA.	
		1	Auxiliary frequency setting	By entering 0 to ±5VDC or 0 to ±10VDC, this signal is added to the frequency setting signal of terminal 2 or 4. Switch between input 0 to ±5VDC and 0 to ±10VDC (factory setting) from the operation panel. Input resistance 10kΩ. Maximum permissible voltage ±20V.	
		5	Frequency setting input common	Common to the frequency setting signal (terminal 2, 1 or 4) and analog output terminal AM. Do not earth.	
Output signals	Contact	A, B, C	Alarm output	1 contact output indicating that the output has been stopped by the inverter protective function activated. 200VAC 0.3A, 30VDC 0.3A. Alarm: discontinuity across B-C (continuity across A-C), normal: continuity across B-C (discontinuity across A-C).	Output terminal function selection (Pr. 190 to Pr. 195) change terminal functions.
		RUN	Inverter running	Switched low when the inverter output frequency is equal to or higher than the starting frequency (factory set to 0.5Hz, variable). Switched high during stop or DC dynamic brake operation (*2). Permissible load 24VDC 0.1A.	
	SU	Up to frequency	Switched low when the output frequency has reached within ±10% of the set frequency (factory setting, variable). Switched high during acceleration, deceleration or stop (*2). Permissible load 24VDC 0.1A.		
	OL	Overload alarm	Switched low when the stall prevention function has caused stall prevention to be activated. Switched high when stall prevention is reset (*2). Permissible load 24VDC 0.1A.		
	IPF	Instantaneous power failure	Switched low when instantaneous power failure or undervoltage protection is activated (*2). Permissible load 24VDC 0.1A.		
	FU	Frequency detection	Switched low when the output frequency has reached or exceeded the detection frequency set as appropriate. Switched high when below the detection frequency (*2). Permissible load 24VDC 0.1A		
	SE	Open collector output common	Common to the RUN, SU, OL, IPF and FU terminals.		
	Pulse	FM	For meter	One selected from 16 monitoring items, such as output frequency, is output. (*3)	Factory setting of output item: Frequency permissible load current 1mA 1440 pulses/second at 60Hz
		AM	Analog signal output	The output signal is proportional to the magnitude of each monitoring item.	Factory setting of output item: Frequency output signal 0 to 10VDC Permissible load current 1mA
	Communication	RS-485	PU connector	With the operation panel connector, communication can be made through RS-485. <ul style="list-style-type: none"> • Conforming Standard : EIA Standard RS-485 • Transmission format : Multi-drop link • Communication speed : Maximum 19200 baud rates • Overall length : 500m 	

*1: Terminals PR and PX are provided for the FR-B-750 to 7.5K and FR-B3-(N)(H)400 to 7.5K.

*2: Low indicates that the open collector-outputting transistor is on (conducts). High indicates that the transistor is off (does not conduct).

*3: Not output while the inverter is reset.

2.2.2 Wiring of the main circuit

(1) Wiring instructions

- 1) Crimping terminals with insulation sleeves are recommended for use with the power and motor cables.
- 2) Cut the protective bushes of the wiring cover when running the cables. (22K or less)
- 3) Power must not be applied to the output terminals (U, V, W) of the inverter. Otherwise the inverter will be damaged.
- 4) After wiring, wire off-cuts must not be left in the inverter.

Wire off-cuts can cause an alarm, failure or malfunction. Always keep the inverter clean.

When drilling mounting holes in a control box etc., exercise care to prevent chips and other foreign matter from entering the inverter.

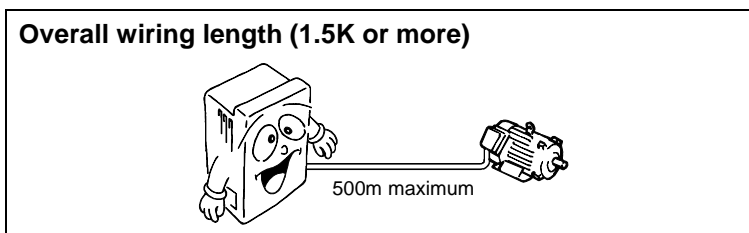
- 5) Use cables of the recommended size for wiring to make the voltage drop 2% or less.

If the wiring distance is long between the inverter and motor, a main circuit cable voltage drop will cause the motor torque to decrease especially at the output of a low frequency. (The selection example at the wiring length of 20m is given on page 16.)

- 6) The overall wiring length should be 500m maximum.

Especially for long distance wiring, the overcurrent protection may be misactivated or the devices connected to the output side may misoperate or become faulty under the influence of a charging current due to the stray capacitance of the wiring. Therefore, the maximum overall wiring length should be as indicated in the following table. (For connection of two or more motors, the explosion-proof certification test has not been conducted.)

Inverter Capacity	0.4K	0.75K	1.5K or more
FR-B, B3 (Non-low acoustic noise mode)	300m	500m	500m
FR-B3-N (Low acoustic noise mode)	200m	300m	500m

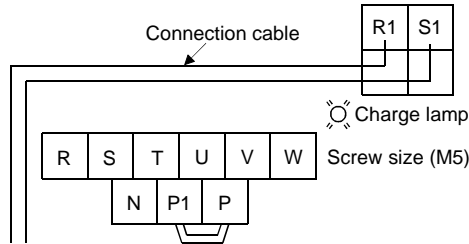


- 7) Do not remove the jumper across terminals PR-PX except when connecting the brake unit or power return converter.
- 8) Electromagnetic wave interference

The input/output (main circuit) of the inverter includes harmonic components, which may interfere with the communication devices (such as AM radios) used near the inverter. In this case, install the FR-BIF optional radio noise filter (for use in the input side only) or FR-BSF01 or FR-BLF line noise filter to minimize interference.
- 9) Do not install a power capacitor, surge suppressor or radio noise filter (FR-BIF option) in the output side of the inverter.

This will cause the inverter to trip or the capacitor and surge suppressor to be damaged. If any of the above devices are installed, immediately remove them. (If the FR-BIF radio noise filter is connected, switching power off during motor operation may result in E.UVT. In this case, connect the radio noise filter in the primary side of the electromagnetic contactor.)
- 10) When rewiring after operation, make sure that the POWER lamp has gone off, and when more than 10 minutes have elapsed after power-off, check with a meter that the voltage is zero. After that, start rewiring work. For some time after power-off, there is a dangerous voltage in the capacitor.

- 11) Use the space on the left-hand side of the main circuit terminal block to run the cables for connection of the control circuit power terminals R1, S1 of the FR-B-11K (200V class) or FR-B3-(N)11K.



Notes on Grounding

- Leakage currents flow in the inverter. To prevent an electric shock, the inverter and motor must be grounded.
- Use the dedicated ground terminal to ground the inverter. (Do not use the screw in the case, chassis, etc.)
- The ground cable should be as thick as possible. Its gauge should be equal to or larger than those indicated in the following table. The grounding point should be as near as possible to the inverter to minimize the ground cable length.
- Ground the motor on the inverter side using one wire of the 4-core cable.

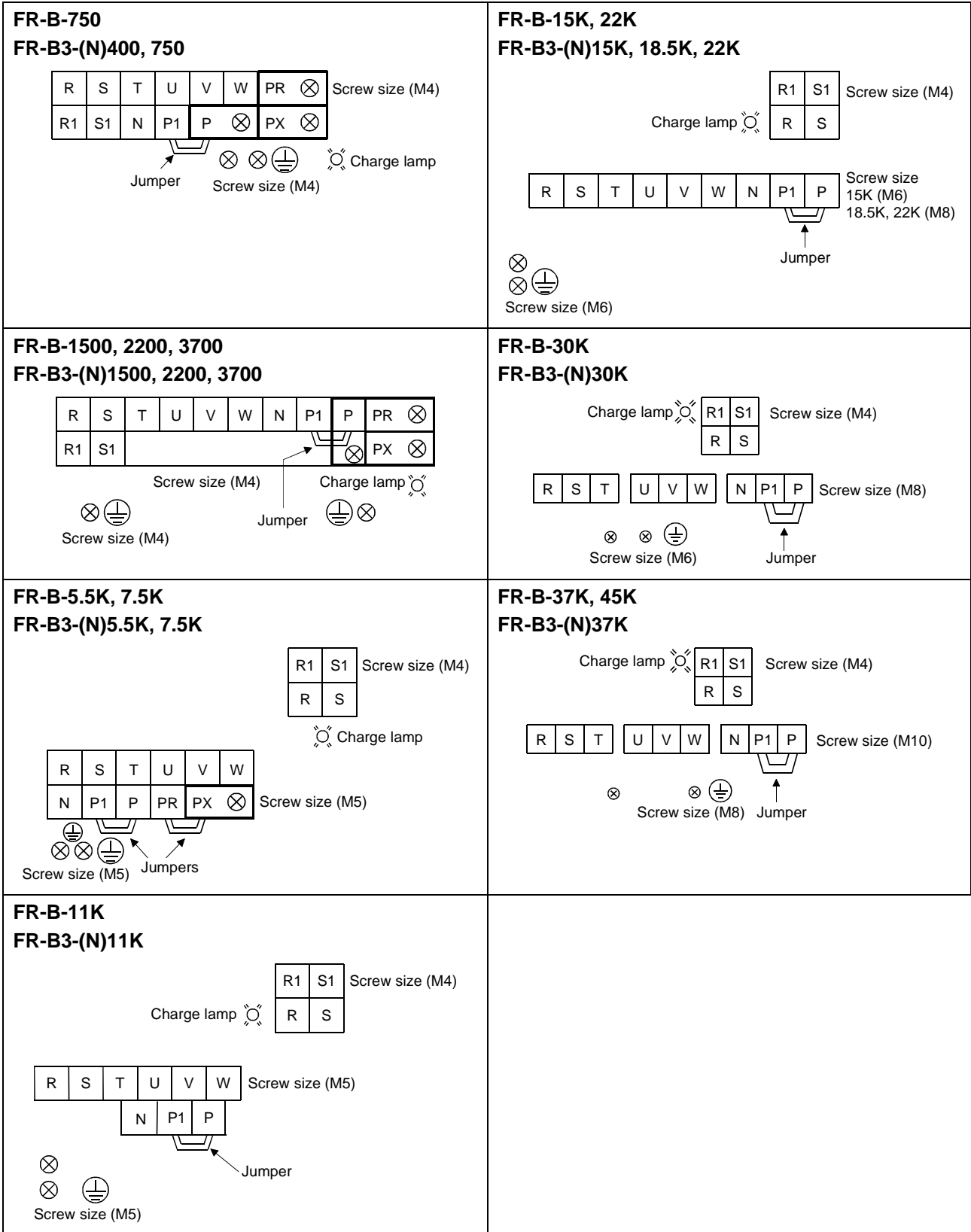
(Unit: mm²)

Motor Capacity	Ground Cable Gauge	
	200V class	400V class
3.7 kW or less	3.5	2
5.5 kW, 7.5 kW	5.5	3.5
11 kW to 15 kW	14	8
18.5 kW to 37kW	22	14
45 kW, 55 kW	38	22

(2) Terminal block layout

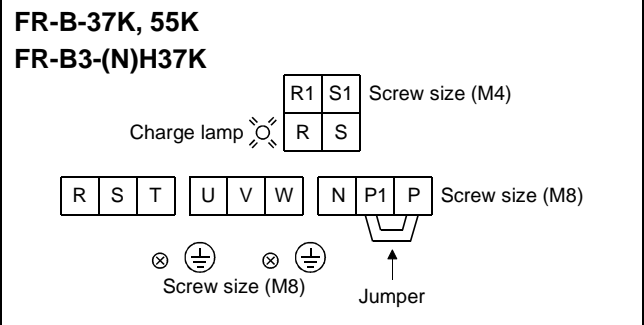
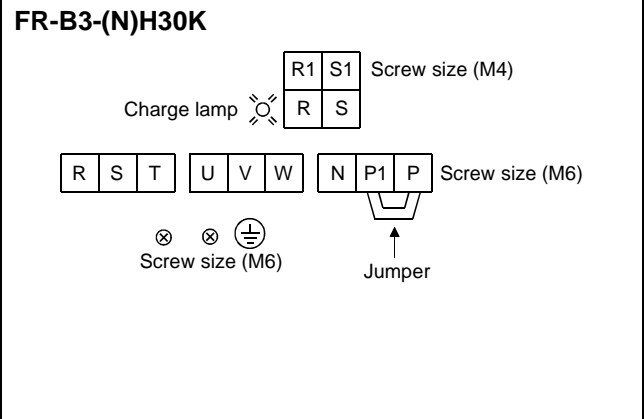
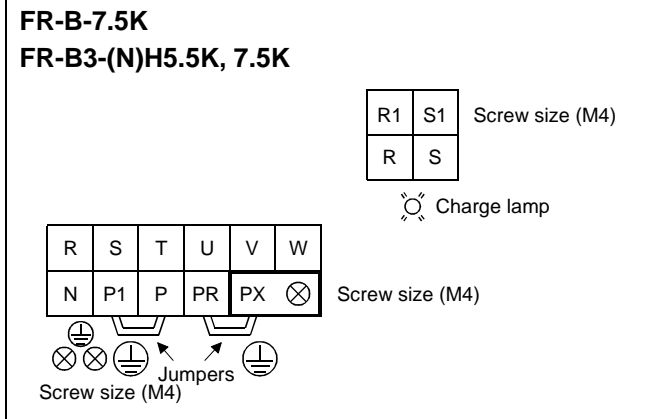
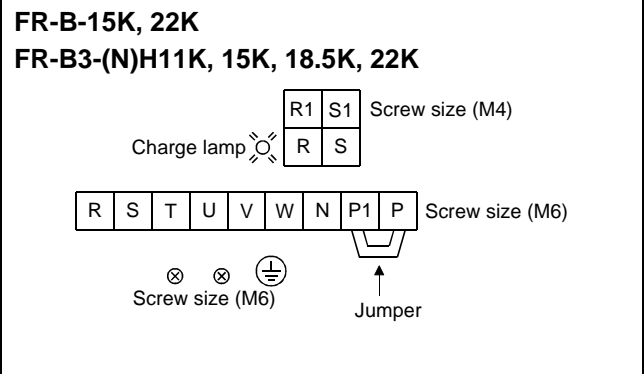
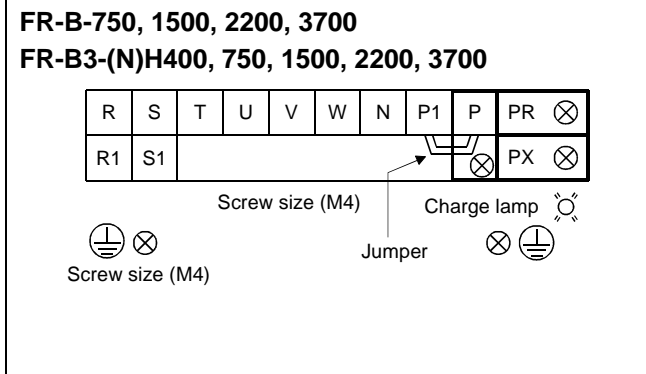
In the main circuit of the inverter, the terminals are arranged as shown below:

1) 200V class



2

2) 400V class



(3) Cables, crimping terminals, etc.

The following table lists the cables and crimping terminals used with the inputs (R, S, T) and outputs (U, V, W) of the inverter and the torques for tightening the screws:

1) 200V class

Applicable Inverter Type	Terminal Screw Size	Tightening Torque N-m	Crimping Terminals		Cables (Note 1)			
					mm ²		AWG	
			R, S, T	U, V, W	R, S, T	U, V, W	R, S, T	U, V, W
FR-B-750 to 2200, FR-B3-(N)400 to 2200	M4	1.5	2-4	2-4	2	2	14	14
FR-B-3700, FR-B3-(N)3700	M4	1.5	5.5-4	5.5-4	3.5	3.5	12	12
FR-B-5.5K, FR-B3-(N)5.5K	M5	2.5	5.5-5	5.5-5	5.5	5.5	10	10
FR-B-7.5K, FR-B3-(N)7.5K	M5	2.5	14-5	8-5	14	8	6	8
FR-B-11K, FR-B3-(N)11K	M5	2.5	14-5	14-5	14	14	6	6
FR-B-15K, FR-B3-(N)15K	M6	4.4	22-6	22-6	22	22	4	4
FR-B-22K, FR-B3-(N)18.5K, 22K	M8	7.8	38-8	38-8	38	38	2	2
FR-B-30K, FR-B3-(N)30K	M8	7.8	60-8	60-8	60	60	1/0	1/0
FR-B-37K, FR-B3-(N)37K	M10	14.7	100-10	100-10	100	100	4/0	4/0
FR-B-45K	M10	14.7	100-10	100-10	100	100	4/0	4/0

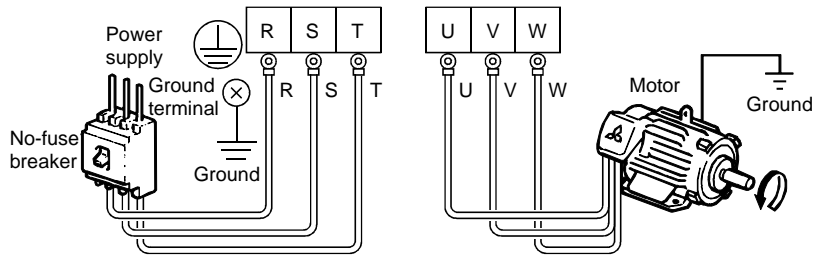
2) 400V class

Applicable Inverter Type	Terminal Screw Size	Tightening Torque N-m	Crimping Terminals		Cables (Note 1)			
					mm ²		AWG	
			R, S, T	U, V, W	R, S, T	U, V, W	R, S, T	U, V, W
FR-B-750 to 3700, FR-B3-(N)H400 to 3700	M4	1.5	2-4	2-4	2	2	14	14
FR-B3-(N)H5.5K	M4	1.5	5.5-4	2-4	3.5	2	12	14
FR-B-7.5K, FR-B3-(N)H7.5K	M4	1.5	5.5-4	5.5-4	3.5	3.5	12	12
FR-B3-(N)H11K	M6	4.4	5.5-6	5.5-6	5.5	5.5	10	10
FR-B-15K FR-B3-(N)H15K, 18.5K	M6	4.4	14-6	8-6	14	8	6	8
FR-B-22K, FR-B3-(N)H22K	M6	4.4	22-6	14-6	22	14	4	6
FR-B3-(N)H30K	M6	4.4	22-6	22-6	22	22	4	4
FR-B-37K FR-B3-(N)H37K	M8	7.8	38-8	22-8	38	22	2	4
FR-B-55K	M8	7.8	60-8	60-8	60	60	1/0	1/0

Note: 1. The cables used should be 75°C copper cables.
 2. Tighten the terminal screws to the specified torques.
 Undertightening can cause a short or misoperation.
 Overtightening can cause the screws and unit to be damaged, resulting in a short or misoperation.



(4) Connection of the power supply and motor



The power supply cables must be connected to R, S, T. If they are connected to U, V, W, the inverter will be damaged. Phase sequence need not be matched.

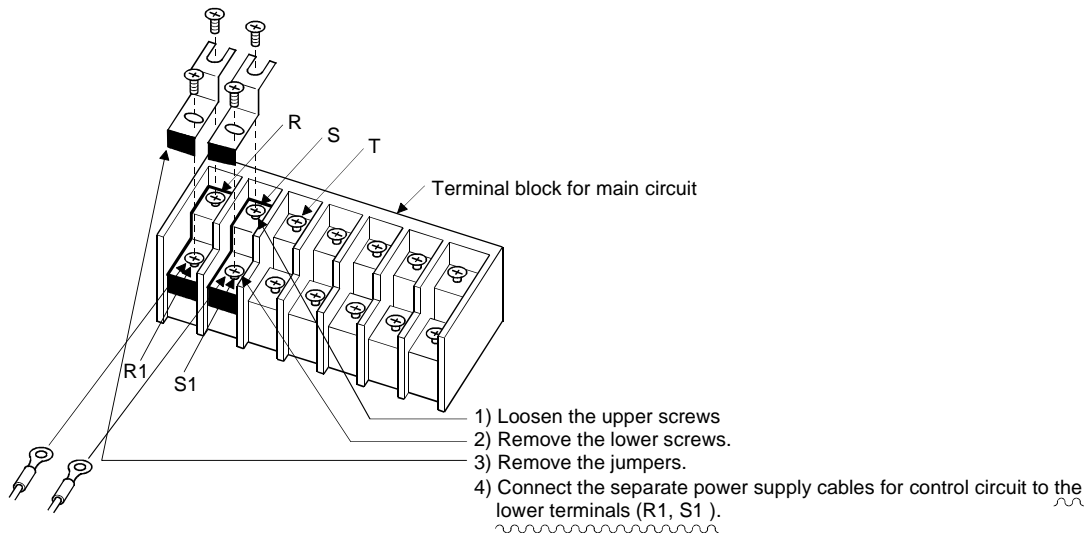
Connect the motor to U, V, W. In the above connection, turning on the forward rotation switch (signal) rotates the motor in the counterclockwise (arrow) direction when viewed from the load shaft.

(5) Connecting the control circuit to a power supply separately from the main circuit

If the magnetic contactor (MC) in the inverter power supply is opened when the protective circuit is operated, the inverter control circuit power is lost and the alarm output signal cannot be kept on. To keep the alarm signal on terminals R1 and S1 are available. In this case, connect the power supply terminals R1 and S1 of the control circuit to the primary side of the MC.

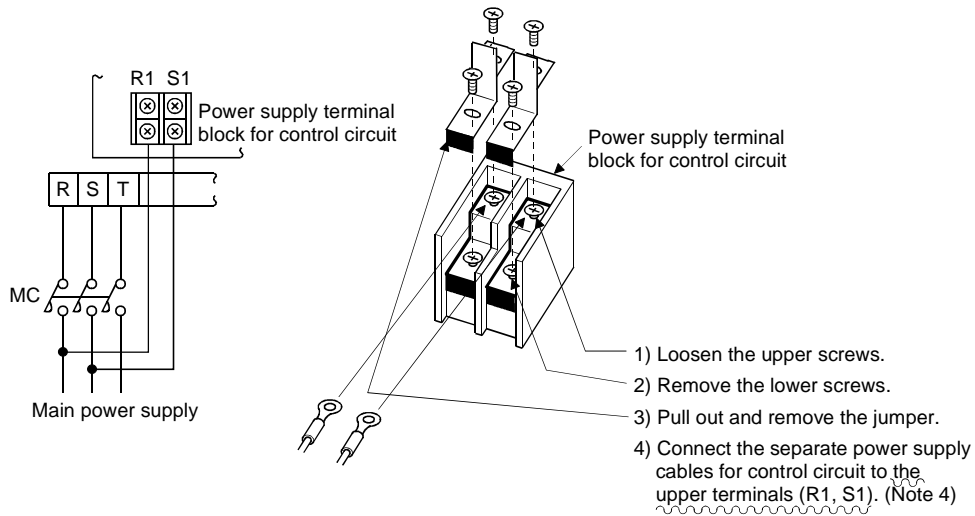
• Model FR-B-750 to 3700 (200V class, 400V class), FR-B3-(N)(H)400 to 3700

<Connection procedure>



• **Model FR-B-5.5K to 45K (200V class), FR-B-7.5K to 55K (400V class),
FR-B3-(N)(H)5.5K to 37K**

<Connection procedure>



- Note: 1. When the main circuit power (R, S, T) is on, do not switch off the control power (terminals R1, S1). Otherwise the inverter may be damaged.
2. When using a separate power supply, the jumpers across R-R1 and S-S1 must be removed. Otherwise the inverter may be damaged.
3. For a different power supply system, which takes the power of the control circuit from other than the primary side of the MC, the voltage should be equal to the main circuit voltage.
4. For the FR-B-5.5K to 45K (200V class), FR-B-7.5K to 55K (400V class) and FR-B3-(N)(H)5.5K to 37K, the power supply cables must not be connected to the lower terminals. If connected, the inverter may be damaged.
5. Supplying power to only terminals R1 and S1 and entering the start signal will result in an error display (E.OC1).

2.2.3 Wiring of the control circuit

(1) Wiring instructions

- 1) Terminals SD, SE and 5 are common to the I/O signals and isolated from each other. These common terminals must not be connected to each other or earthed.
- 2) Use shielded or twisted cables for connection to the control circuit terminals and run them away from the main and powers circuits (including the 200V relay sequence circuit).
- 3) The frequency-input signals to the control circuit are micro currents. When contacts are required, use two or more parallel micro signal contacts or a twin contact to prevent a contact fault.
- 4) It is recommended to use the cables of 0.75mm² gauge for connection to the control circuit terminals. If the cable gauge used is 1.25mm² or more, the front cover may be lifted when there are many cables running or the cables are run improperly, resulting in an operation panel or parameter unit contact fault.

(2) Terminal block layout

In the control circuit of the inverter, the terminals are arranged as shown below:

Terminal screw size: M3.5

A	B	C	PC	AM	10E	10	2	5	4	1
	RL	RM	RH	RT	AU	STOP	MRS	RES	SD	FM
SE	RUN	SU	IPF	OL	FU	SD	STF	STR	JOG	CS

(3) Changing the control logic

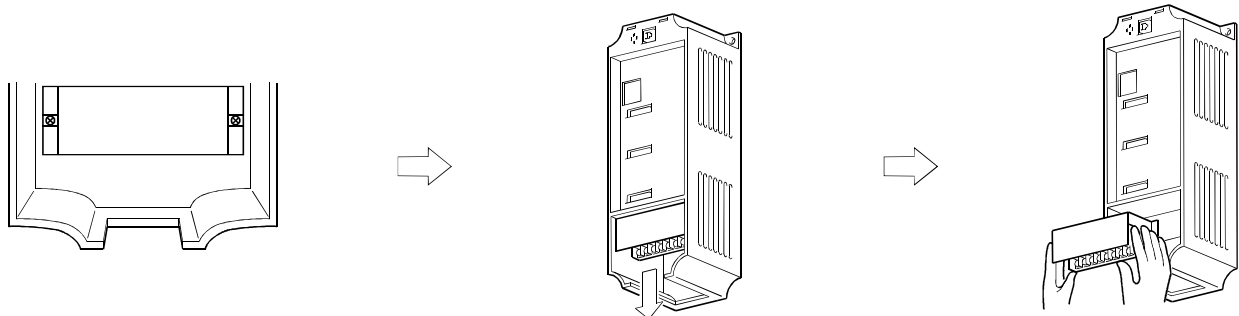
The input signals are set to sink logic.

To change the control logic, the connector on the back of the control circuit terminal block must be moved to the other position.

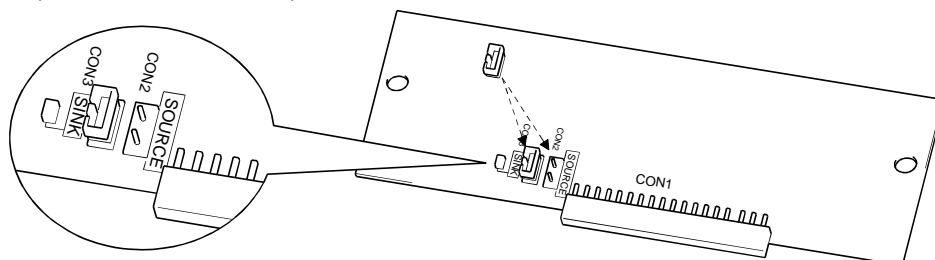
(The output signals may be used in either the sink or source logic independently of the connector position.)

- 1) Loosen the two mounting screws in both ends of the control circuit terminal block. (The screws cannot be removed.)

With both hands, pull down the terminal block from the back of the control circuit terminals.



- 2) Remove the connector from the rear surface of the control circuit terminal block and place in required Logic position (either Sink or Source).

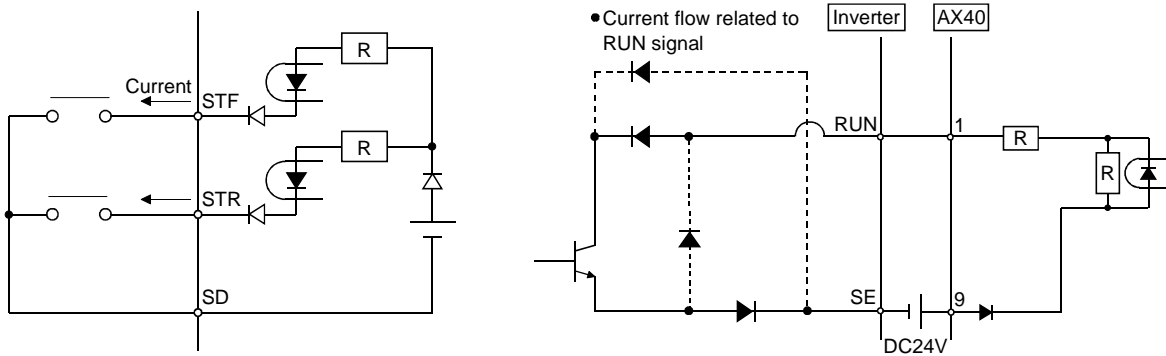


- 3) Using care not to bend the pins of the control circuit connector, reinstall the control circuit terminal block and fix it with the mounting screws.

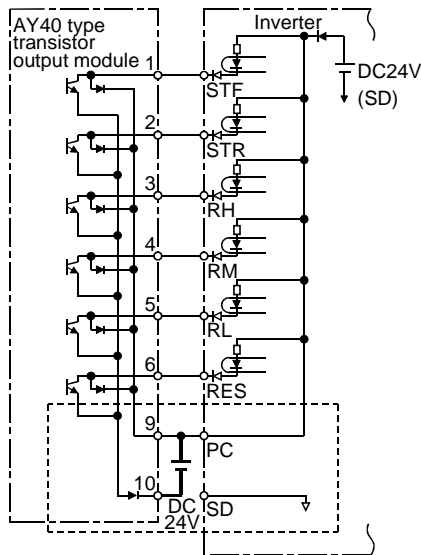
Note: 1. Make sure that the control circuit connector is fitted correctly.
 2. While power is on, never disconnect the control circuit terminal block.
 3. The sink-source logic changeover connector must be fitted in only one of those positions. If it is fitted in both positions at the same time, the inverter may be damaged.

4) Sink logic type

- In this logic, a signal switches on when a current flows out of the corresponding signal input terminal. Terminal SD is common to the contact input signals. Terminal SE is common to the open collector output signals.

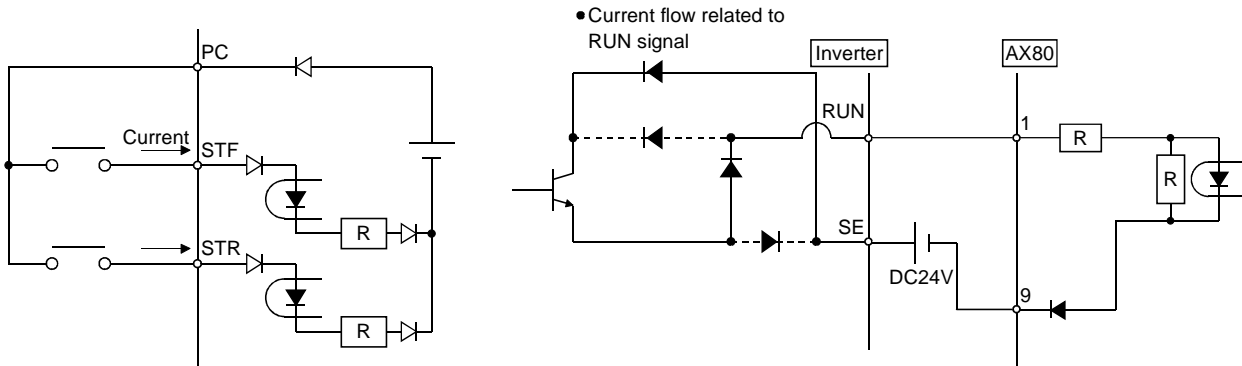


- When using an external power supply for transistor output, use terminal PC as a common to prevent misoperation caused by leakage current. (Do not connect terminal SD of the inverter with terminal 0V of the external power supply.)

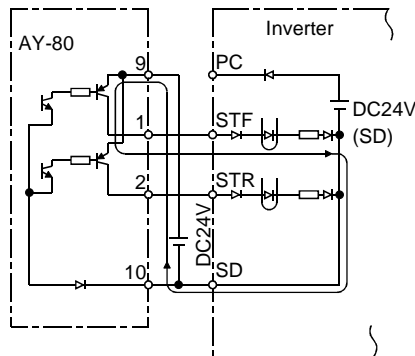


5) Source logic type

- In this logic, a signal switches on when a current flows into the corresponding signal input terminal. Terminal PC is common to the contact input signals. Terminal SE is common to the open collector output signals.



- When using an external power supply for transistor output, use terminal SD as a common to prevent misoperation caused by leakage current.



(4) How to use terminals "STOP", "CS" and "PC"

1) Using the "STOP" terminal

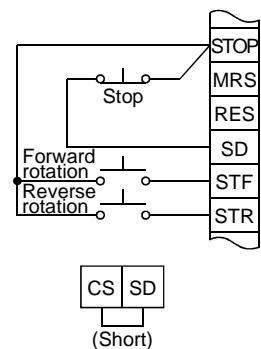
A connection example (for sink logic) for self-holding the start signal (forward rotation, reverse rotation) is shown on the right.

2) Using the "CS" terminal

This terminal is used to perform automatic restart after instantaneous power failure.

<Example: Automatic restart after instantaneous power failure in sink logic>

Connect terminals CS-SD and set a value other than "9999" in Pr. 57 "coasting time for automatic restart after instantaneous power failure".



3) Using the "PC" terminal

This terminal can be used as 24VDC power output using SD as a common terminal.

Specifications: 18V to 26VDC, 0.1A permissible current

Note that the wiring length should be within 30m.

Do not short terminals PC-SD.

When terminal PC is used as a 24V power supply, leakage current from transistor output cannot be prevented.

2.2.4 Connection to the PU connector

(1) When connecting the operation panel or parameter unit using a connection cable

<Recommended cable connector>

- Parameter unit connection cable (FR-CB2) (option) or the following connector and cable.
- Connector: RJ45 connector
Example: 5-554720-3, Nippon AMP
- Cable: Cable conforming to EIA568 (e.g. 10BASE-T cable)
Example: SGLPEV 0.5mmx4P, MITSUBISHI CABLE INDUSTRIES, LTD.

Note: The maximum wiring length is 20m.

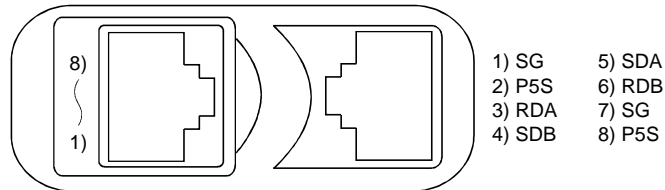
(2) For RS-485 communication

With the operation panel disconnected, the PU connector can be used for communication operation from a personal computer etc.

When the PU connector is connected with a personal, FA or other computer by a communication cable, a user program allows the inverter to be run and monitored and the parameter values to be read and written.

<PU connector pin-outs>

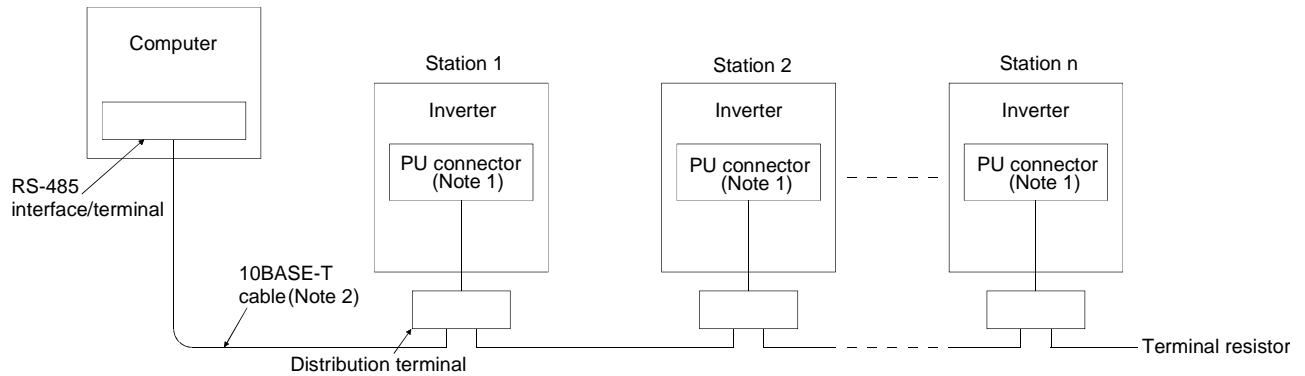
Viewed from the inverter (receptacle side) front



- Note: 1. Do not connect the PU connector to the computer's LAN board, FAX modem socket or telephone modular connector. Otherwise, the product may be damaged due to electrical specification differences.
2. Pins 2) and 8) (P5S) provide power to the operation unit or parameter unit. Do not use these pins for RS-485 communication.

<System configuration example>

1) When a computer having a RS-485 interface is used with several inverters



Use the connector and cables, which are available on the market.

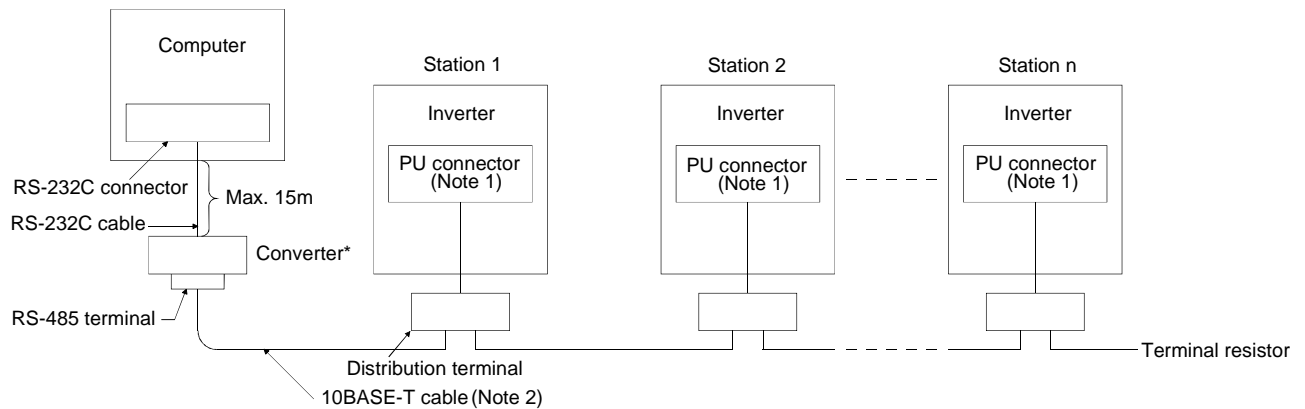
Note: 1. Connector: RJ45 connector

Example: 5-554720-3, Nippon AMP Co., Ltd.

2. Cable: Cable conforming to EIA568 (such as 10BASE-T cable)

Example: SGLPEV 0.5mm×4P, Mitsubishi Cable Industries, Ltd.

2) When a computer having a RS-232C interface is used with inverters



*Converter available on the market is required. (Note 3)

Use the connector, cables and converter, which are available on the market.

Note: 1. Connector: RJ45 connector

Example: Nippon AMP Co., Ltd.

2. Cable: Cable conforming to EIA568 (such as 10BASE-T cable)

Example: SGLPEV 0.5mm×4P, Mitsubishi Cable Industries, Ltd.

3.* Commercially available converter examples

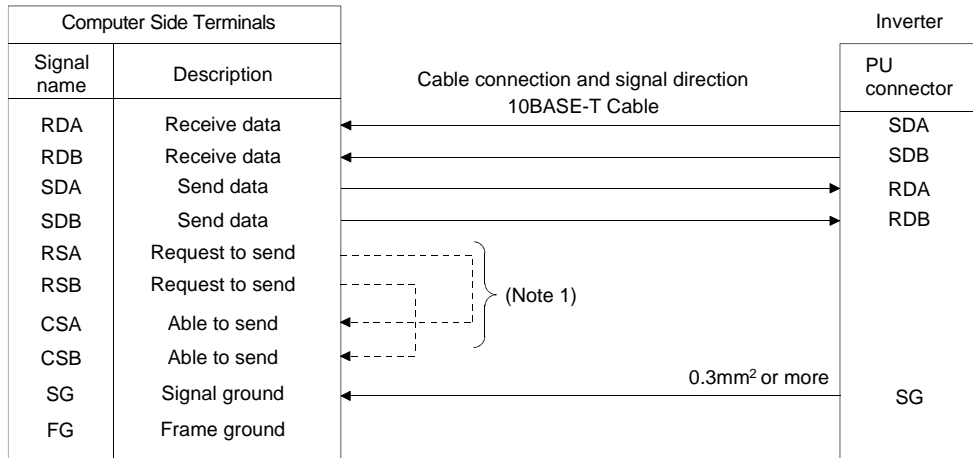
Model: FA-T-RS40

Converter

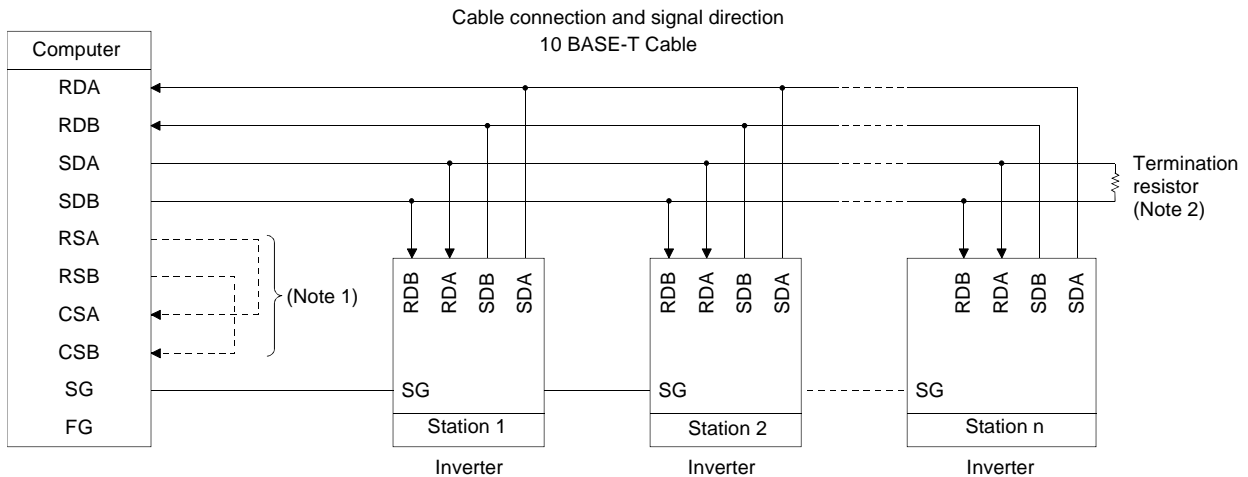
Nagoya Sales Office, Mitsubishi Electric Engineering Co., Ltd.

<Wiring method>

1) Wiring of one computer and one inverter



2) Wiring of one computer and "n" inverters (several inverters)



Note: 1. Make connections in accordance with the instruction manual of the computer used. Fully check the terminal numbers of the computer as they differ between models.

2. There may be the influence of reflection depending on the transmission speed and/or transmission distance. If this reflection hinders communication, provide a termination resistor. If the PU connector is used to make a connection, use the distributor as a termination resistor cannot be fitted. Connect the termination resistor to only the inverter remotest from the computer. (Termination resistor: 100Ω)

2.2.5 Connection of stand-alone option units

The inverter accepts a variety of stand-alone option units as required. Incorrect connection will cause inverter damage or accident. Connect and operate the option unit carefully in accordance with the corresponding option unit manual.

(1) Connection of the dedicated external brake resistor (option) (FR-B3 series only)

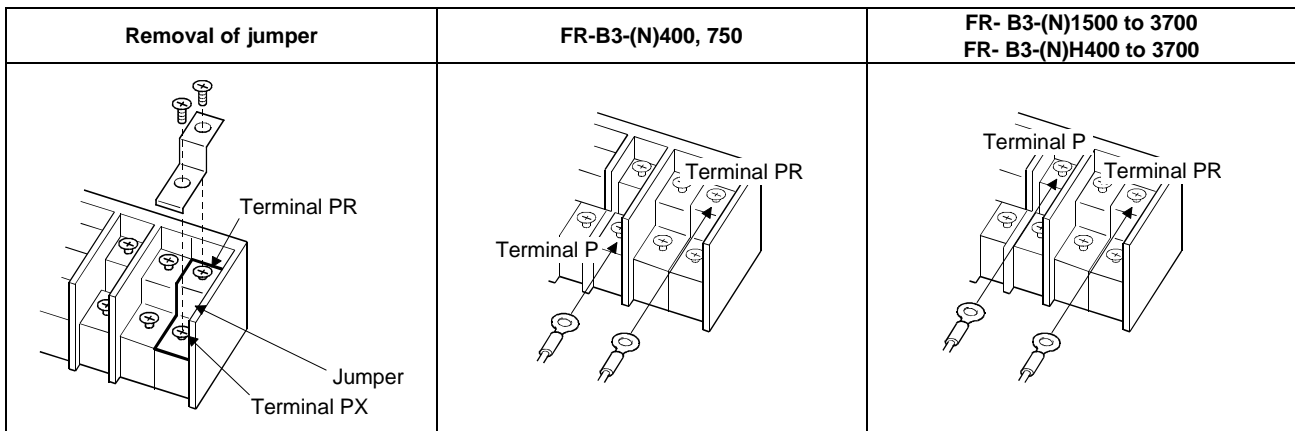
The built-in brake resistor is connected across terminals P and PR. Fit the external dedicated brake resistor (option) instead when the built-in brake resistor does not have enough thermal capability for high-duty operation. Remove the jumper from across terminals PR-PX and connect the dedicated brake resistor (option) across terminals P-PR.

(For the positions of terminals P and PR, refer to the terminal block arrangement (page14).)

- Note: 1. The brake resistor connected should only be the dedicated brake resistor.
 2. The jumper across terminals PR-PX must be disconnected before connecting the dedicated brake resistor. A failure to do so may damage the inverter.
 3. When using this option, the explosion-proof certification test is required separately.

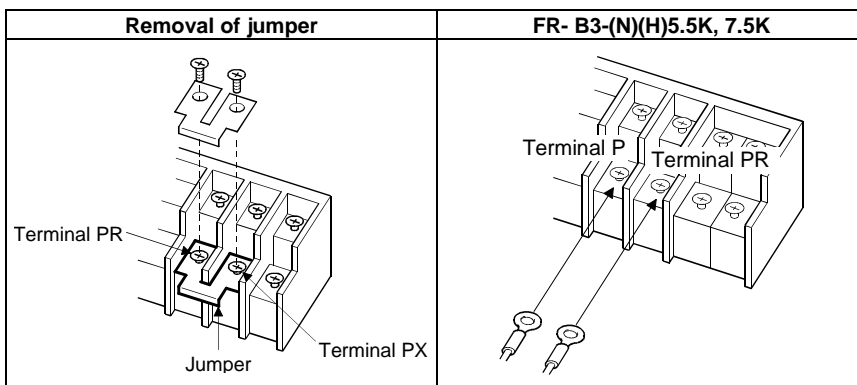
• Model..... FR-B3-(N)(H)400 to 3700

- 1) Remove the screws in terminals PR and PX and remove the jumper.
 - 2) Connect the brake resistor across terminals P-PR.
- (The jumper should remain disconnected.)



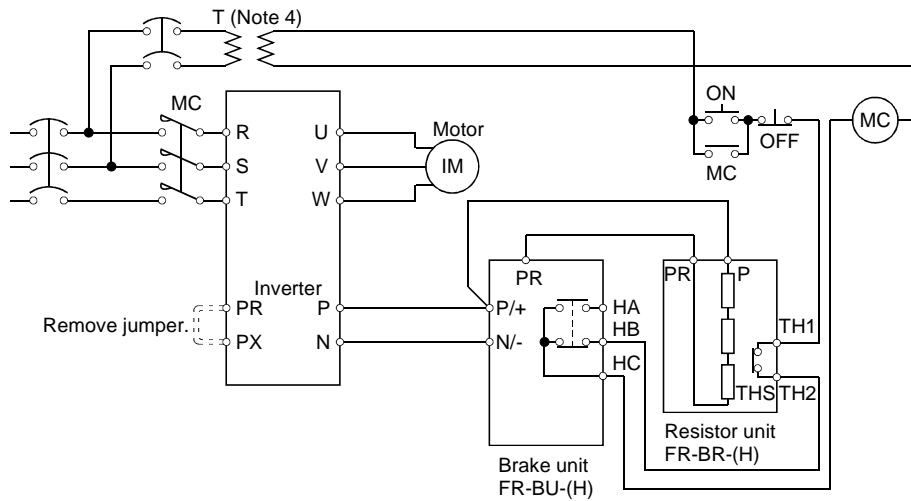
• Model..... FR- B3-(N)(H)5.5K, 7.5K

- 1) Remove the screws in terminals PR and PX and remove the jumper.
 - 2) Connect the brake resistor across terminals P-PR.
- (The jumper should remain disconnected.)



(2) Connection of the FR-BU brake unit (option)

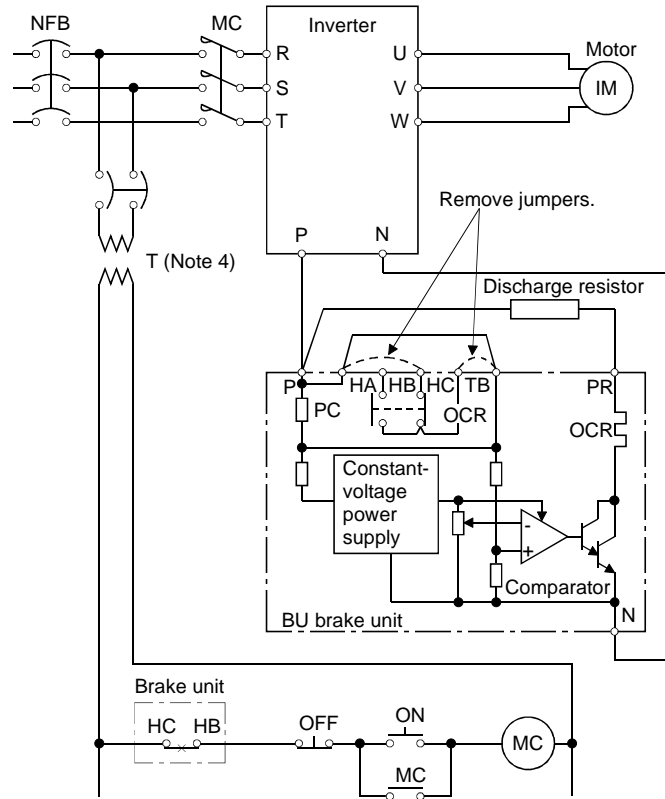
Connect the optional FR-BU brake unit as shown below to improve the braking capability during deceleration.



- Note: 1. Connect the inverter terminals (P, N) and FR-BU brake unit terminals so that their terminal signals match with each other. (Incorrect connection will damage the inverter.) For model 7.5K or less, the jumper across terminals PR-PX must be removed.
2. The wiring distance between the inverter, brake unit and resistor unit should be within 5m. If twisted wires are used, the distance should be within 10m.
3. If the transistors in the brake unit should fail, the resistor will be extremely hot, causing a fire. Therefore, install a magnetic contactor on the inverter's power supply side to shut off a current in case of failure.
4. For the power supply of 400V class, install a voltage-reducing transformer.
5. When using this option, the explosion-proof certification test is required separately.

(3) Connection of the conventional BU brake unit (option)

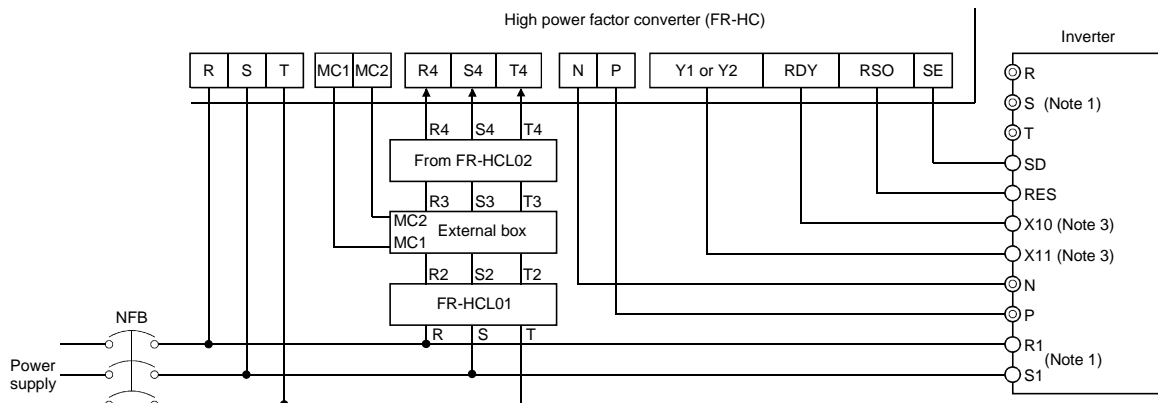
Connect the BU brake unit correctly as shown below. Incorrect connection will damage the inverter.



- Note:
1. For models 7.5K or less, remove the jumper across terminals PR-PX.
 2. The wiring distance between the inverter, brake unit and discharge resistor should be within 2m.
If twisted wires are used, the distance should be within 5m.
 3. If the transistors in the brake unit should fail, the resistor will be extremely hot, causing a fire. Therefore, install a magnetic contactor on the inverter's power supply side to shut off current in case of failure.
 4. For the power supply of 400V class, install a voltage-reducing transformer.
 5. When using this option, the explosion-proof certification test is required separately.

(4) Connection of the FR-HC high power factor converter (option) (FR-B3 series only)

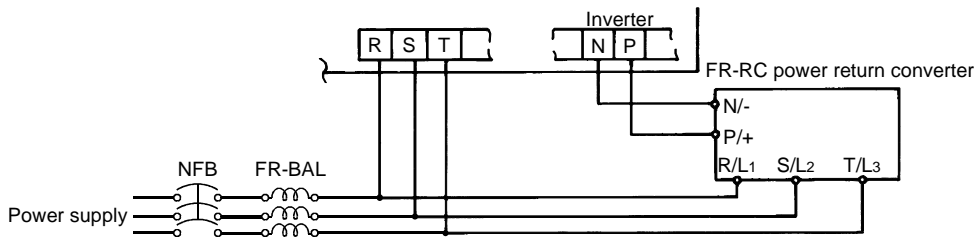
When connecting the high power factor converter (FR-HC) to suppress power harmonics, wire as shown below. Wrong connection will damage the high power factor converter and inverter. After making sure that the wiring is correct, set "2" in Pr. 30 "regenerative function selection".



- Note: 1. Remove the jumpers across the R-R1 and S-S1 terminals of the inverter, and connect the control circuit power supply across the R1-S1 terminals. The power input terminals R, S, T must be open.
Incorrect connection will damage the inverter. Reverse polarity of terminals N, P will damage the inverter.
- The voltage phases of terminals R, S, T and terminals R4, S4, T4 must be matched before connection.
 - Use Pr. 180 to Pr. 186 (input terminal function selection) to assign the terminals used with the X10 and X11 signals.
 - When the FR-HC is connected, use sink logic (factory setting). For source logic, the FR-HC cannot be connected.
 - When using this option, the explosion-proof certification test is required separately, except when using the high power factor converter (FR-HC) for power factor improvement.

(5) Connection of the FR-RC power return converter (option)

(For power coordination, always install the power factor-improving reactor (FR-BAL).)
When connecting the FR-RC power return converter, connect the inverter terminals (P, N) and FR-RC power return converter terminals as shown below so that their signals match with each other.
For details, refer to the FR-RC power return converter manual.

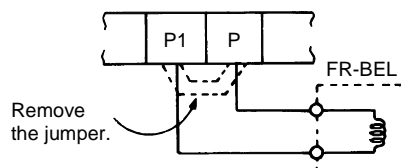


- Note: 1. For models 7.5K or less, the jumper across terminals PR-PX must be removed.
2. How to connect the FR-BAL power factor improving AC reactor (option)
When using two or more inverters in the same system, small impedance between the inverters will cause a regenerative current from the power return converter to leak into the other inverters, resulting in overcurrent alarm of the other inverters. To prevent this, install a power factor improving AC reactor on the power supply side for all the inverters.
3. When using this option, the explosion-proof certification test is required separately.

(6) Connection of the power factor improving DC reactor (option)

Connect the FR-BEL power factor improving DC reactor between terminals P1-P. In this case, the jumper connected across terminals P1-P must be removed. Otherwise, the reactor will not function.

<Connection method>

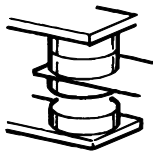


- Note: 1. The wiring distance should be within 5m.
2. The size of the cables used should be equal to or larger than that of the power supply cables (R, S, T).

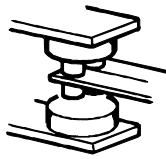
2.2.6 Design information

- 1) If the machine must not be restarted when power is restored after a power failure, provide a magnetic contactor in the inverter's primary circuit and also make up a sequence, which will not switch on the start signal.
If the start signal (start switch) remains on after a power failure, the inverter will automatically restart as soon as the power is restored.
- 2) When the power supply used with the control circuit is different from the one used with the main circuit, make up a circuit which will switch off the main circuit power supply terminals R, S, T when the power supply terminals R1, S1 for the control circuit are switched off.
- 3) Since the input signals to the control circuit are on a low level, use two parallel micro signal contacts or a twin contact for contact inputs to prevent a contact fault.
- 4) Do not apply a large voltage to the contact input terminals (e.g. STF) of the control circuit.
- 5) Do not apply a voltage directly to the alarm output signal terminals (A, B, C).
Always apply a voltage to these terminals via a relay coil, lamp, etc.
- 6) Make sure that the specifications and rating match the system requirements.

3) Low-level signal contacts



Low-level signal contacts



Twin contact

2.3 Other wiring

2.3.1 Power harmonics

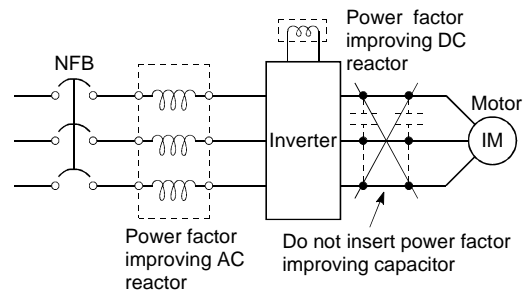
Power harmonics may be generated from the converter section of the inverter, affecting power supply equipment, power capacitors, etc. Power harmonics are different in generation source, frequency and transmission path from radio frequency (RF) noise and leakage currents. Take the following measures.

- The differences between harmonics and RF noise are indicated below:

Item	Harmonics	RF Noise
Frequency	Normally 40 to 50th degrees, 3kHz or less	High frequency (several 10kHz to MHz order)
Environment	To wire paths, power impedance	Accross spaces, distance, laying paths
Quantitative understanding	Logical computation is possible	Occurs randomly, quantitative understanding is difficult.
Generated amount	Approximately proportional to load capacity	According to current fluctuation rate (larger with faster switching)
Immunity of affected device	Specified in standards for each device.	Differs according to maker's device specifications.
Example of safeguard	Install a reactor.	Increase the distance.

- Safeguard

The harmonic current generated from the inverter to the power supply differs according to various conditions such as the wiring impedance, whether a power factor improving reactor is used or not, and output frequency and output current on the load side. For the output frequency and output current, the adequate method is to obtain them under rated load at the maximum operating frequency.



Note: A power factor improving capacitor or surge suppressor on the inverter's output may overheat or be damaged due to the harmonics of the inverter output. Also, when an overcurrent flows in the inverter, the overcurrent protection is activated, Hence, when the inverter drives the motor, do not install a capacitor or surge suppressor on the inverter's output. To improve the power factor, insert a power factor improving reactor in the inverter's input or DC circuit. For details, refer to the FR-A500/E500 series technical information.

2.3.2 Japanese harmonic suppression guidelines

Harmonic currents flow from the inverter to a power receiving point via a power transformer. The harmonic suppression guidelines were established to protect other consumers from these outgoing harmonic currents.

1) "Harmonic suppression guideline for household appliances and general-purpose products"

This guideline was issued by the Ministry of International Trade and Industries in September, 1994 and applies to 200V class inverters of 3.7kW and less. By installing the FR-BEL or FR-BAL power factor improving reactor, inverters comply with the "harmonic suppression techniques for transistorized inverters (input current 20A or less)" established by the Japan Electrical Manufacturers' Association. Therefore install the optional reactor for the 200V class, 3.7kW or less inverter.

2) "Harmonic suppression guideline for specific consumers"

This guideline sets forth the maximum values of harmonic currents outgoing from a high-voltage or especially high-voltage consumer who will install, add or renew harmonic generating equipment. If any of the maximum values are exceeded, this guideline requires that consumer to take certain suppression measures.

Table 1 Maximum Values of Outgoing Harmonic Currents per 1kW Contract Power

Received Power Voltage	5th	7th	11th	13th	17th	19th	23rd	Over 23rd
6.6kV	3.5	2.5	1.6	1.3	1.0	0.9	0.76	0.70
22kV	1.8	1.3	0.82	0.69	0.53	0.47	0.39	0.36
33kV	1.2	0.86	0.55	0.46	0.35	0.32	0.26	0.24

(1) Application of the harmonic suppression guideline for specific consumers

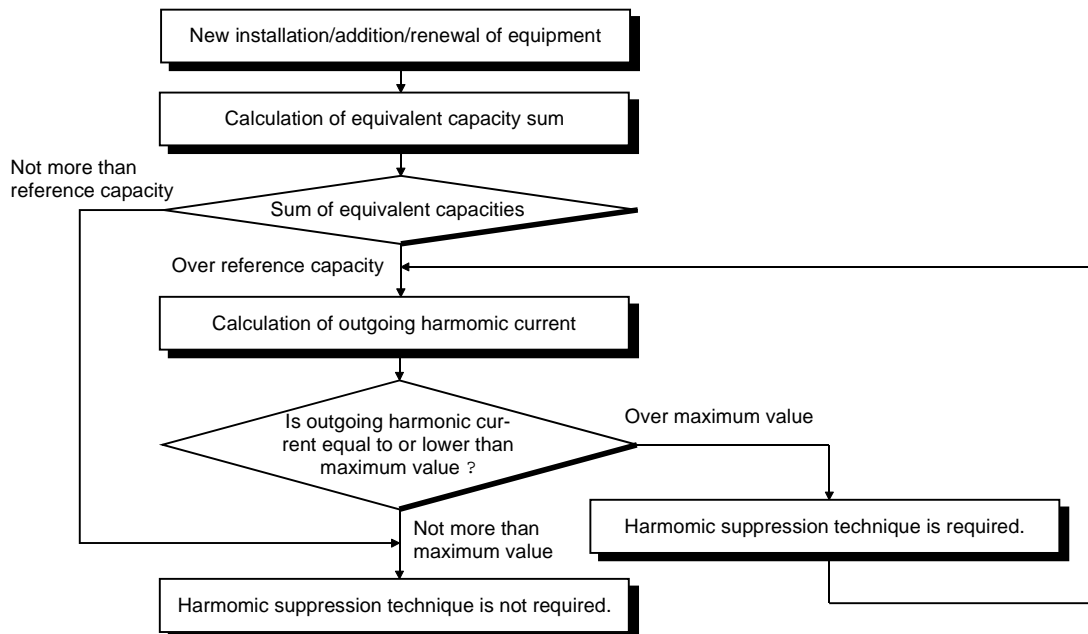


Table 2 Conversion Factors for FR-B, B3 Series

Class	Circuit Type	Conversion Factor Ki
3	3-phase bridge (Capacitor-smoothed)	Without reactor
	With reactor (AC side)	K31 = 3.4
	With reactor (DC side)	K32 = 1.8
	With reactors (AC, DC sides)	K33 = 1.8
		K34 = 1.4

Table 3 Equivalent Capacity Limits

Received Power Voltage	Reference Capacity
6.6kV	50kVA
22/33kV	300kVA
66kV or more	2000kVA

Table 4 Harmonic Content (Values at the fundamental current of 100%)

Reactor	5th	7th	11th	13th	17th	19th	23rd	25th
Not used	65	41	8.5	7.7	4.3	3.1	2.6	1.8
Used (AC side)	38	14.5	7.4	3.4	3.2	1.9	1.7	1.3
Used (DC side)	30	13	8.4	5.0	4.7	3.2	3.0	2.2
Used (AC, DC sides)	28	9.1	7.2	4.1	3.2	2.4	1.6	1.4

1) Calculation of equivalent capacity (P0) of harmonic generating equipment

The “equivalent capacity” is the capacity of a 6-pulse converter converted from the capacity of consumer’s harmonic generating equipment and is calculated with the following equation. If the sum of equivalent capacities is higher than the limit in Table 3, harmonics must be calculated with the following procedure:

$$P0 = \sum (Ki \times Pi) \text{ [kVA]}$$

Ki: Conversion factor (refer to Table 2)

Pi: Rated capacity of harmonic generating equipment* [kVA]

i : Number indicating the conversion circuit type

* Rated capacity: Determined by the capacity of the applied motor and found in Table 5. It should be noted that the rated capacity used here is used to calculate generated harmonic amount and is different from the power supply capacity required for actual inverter drive.

2) Calculation of outgoing harmonic current

Outgoing harmonic current = fundamental wave current (value converted from received power voltage) × operation ratio × harmonic content

- Operation ratio: Operation ratio = actual load factor × operation time ratio during 30 minutes
- Harmonic content: Found in Table 4.

Table 5 Rated Capacities and Outgoing Harmonic Currents for Inverter Drive

Applied Motor (kW)	Rated Current [A]		Fundamental Wave Current Converted from 6.6kV (mA)	Rated Capacity (kVA)	Fundamental Wave Current Converted from 6.6kV (No reactor, 100% operation ratio)							
	200V	400V			5th	7th	11th	13th	17th	19th	23rd	25th
0.4	Not applied	0.81	49	0.57	31.85	20.09	4.165	3.773	2.107	1.519	1.274	0.882
0.75		1.37	83	0.97	53.95	34.03	7.055	6.391	3.569	2.573	2.158	1.494
1.5		2.75	167	1.95	108.6	68.47	14.20	12.86	7.181	5.177	4.342	3.006
2.2		3.96	240	2.81	156.0	98.40	20.40	18.48	10.32	7.440	6.240	4.320
3.7		6.50	394	4.61	257.1	161.5	33.49	30.34	16.94	12.21	10.24	7.092
5.5	19.1	9.55	579	6.77	376.1	237.4	49.22	44.58	24.90	17.95	15.05	10.42
7.5	25.6	12.8	776	9.07	504.4	318.2	65.96	59.75	33.37	24.06	20.18	13.97
11	36.9	18.5	1121	13.1	728.7	459.6	95.29	86.32	48.20	34.75	29.15	20.18
15	49.8	24.9	1509	17.6	980.9	618.7	128.3	116.2	64.89	46.78	39.24	27.16
18.5	61.4	30.7	1860	21.8	1209	762.6	158.1	143.2	79.98	57.66	48.36	33.48
22	73.1	36.6	2220	25.9	1443	910.2	188.7	170.9	95.46	68.82	57.72	39.96
30	98.0	49.0	2970	34.7	1931	1218	252.5	228.7	127.7	92.07	77.22	53.46
37	121	60.4	3660	42.8	2379	1501	311.1	281.8	157.4	113.5	95.16	65.88
45	147	73.5	4450	52.1	2893	1825	378.3	342.7	191.4	138.0	115.7	80.10
55	180	89.9	5450	63.7	3543	2235	463.3	419.7	234.4	169.0	141.7	98.10

3) Harmonic suppression technique requirement

If the outgoing harmonic current is higher than; maximum value per 1kW (contract power) × contract power, a harmonic suppression technique is required.

4) Harmonic suppression techniques

No.	Item	Description
1	Reactor installation (ACL, DCL)	Install a reactor (ACL) in the AC side of the inverter or a reactor (DCL) in its DC side or both to suppress outgoing harmonic currents.
2	Installation of power factor improving capacitor	When used with a series reactor, the power factor improving capacitor has an effect of absorbing harmonic currents.
3	Transformer multi-phase operation	Use two transformers with a phase angle difference of 30° as in λ - Δ , Δ - Δ combination to provide an effect corresponding to 12 pulses, reducing low-degree harmonic currents.
4	AC filter	A capacitor and a reactor are used together to reduce impedance at specific frequencies, producing a great effect of absorbing harmonic currents.
5	Active filter	This filter detects the current of a circuit generating a harmonic current and generates a harmonic current equivalent to a difference between that current and a fundamental wave current to suppress a harmonic current at a detection point, providing a great effect of absorbing harmonic currents.

2.3.3 Inverter-generated noises and reduction techniques

Some noises enter the inverter causing it to misoperate and others are radiated by the inverter causing misoperation of peripheral devices. Though the inverter is designed to be unsusceptible to noise, it handles low-level signals, so it requires the following basic measures to be taken. If these noises cause peripheral devices to misoperate, measures should be taken to suppress the noise. The measures differ slightly depending on noise propagation paths.

1) Basic measures

- Do not run the power cables (I/O cables) and signal cables of the inverter in parallel with each other and do not bundle them.
- Use twisted shielded cables for the detector connection and control signal cables and connect the sheathes of the shielded cables to terminal SD.
- Ground the inverter, motor, etc. at one point.

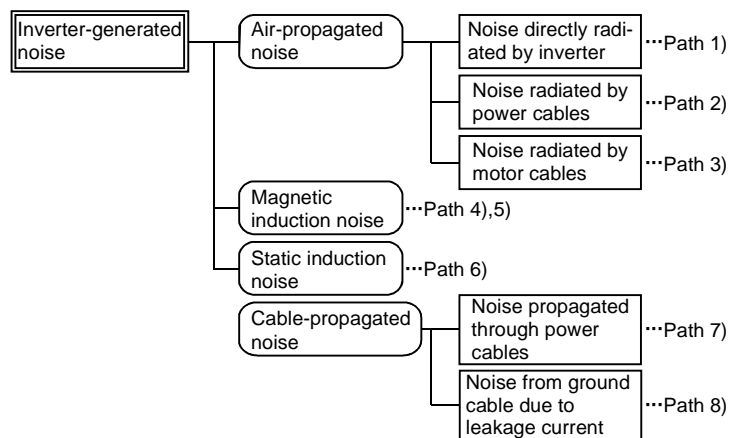
2) Measures against noises which enter and cause misoperation of the inverter

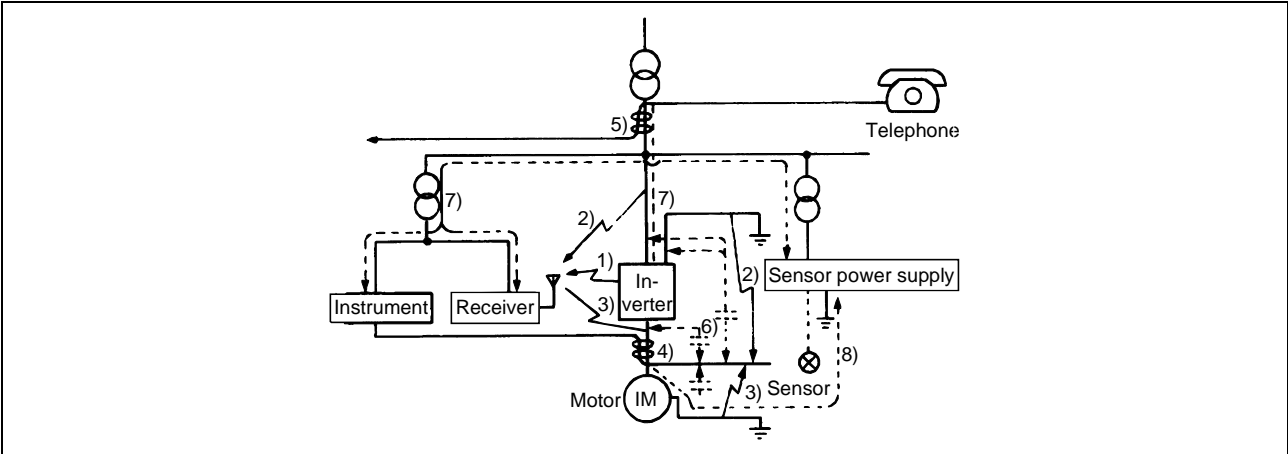
When devices which generate many noises (which use magnetic contactors, magnetic brakes, many relays, for example) are installed near the inverter and the inverter may be effected by noise, the following measures must be taken:

- Provide surge suppressors for devices that generate noise to suppress noise.
- Fit data line filters (Refer to page 36) to signal cables.
- Ground the shields of the detector connection and control signal cables with cable clamp metal.

3) Measures against noise, which is radiated by the inverter causing misoperation of peripheral devices.

Inverter-generated noise is largely classified into those radiated by the cables connected to the inverter and inverter main circuit (I/O), those electromagnetically and electrostatically inducted to the signal cables of the peripheral devices close to the main circuit power supply, and those transmitted through the power supply cables.



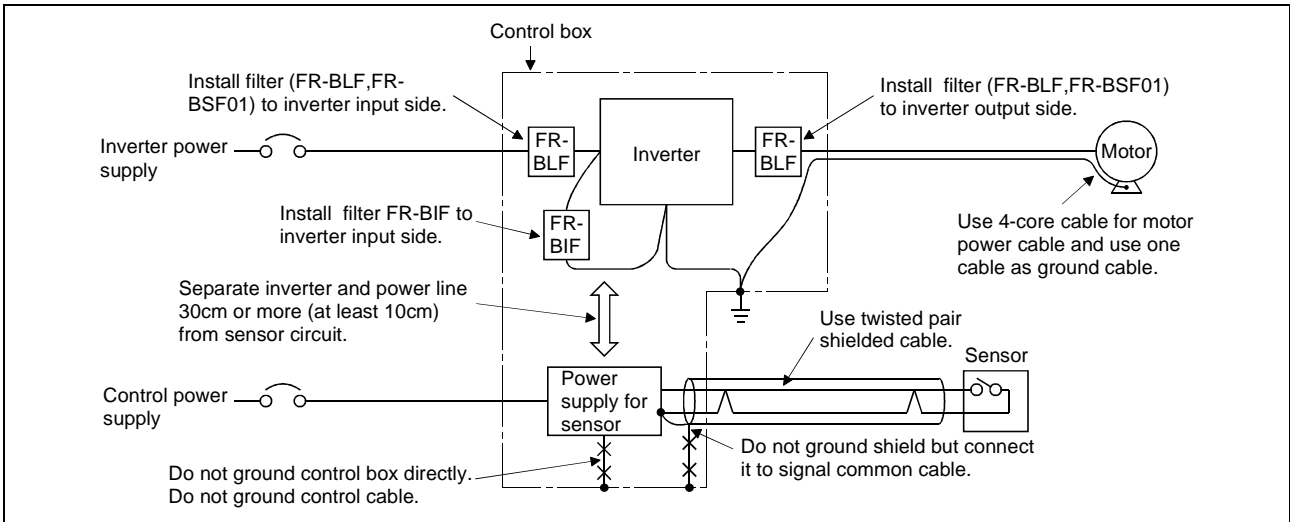


Noise Path	Measures
1) 2) 3)	<p>When devices which handle low-level signals and are susceptible to misoperation due to noise (such as instruments, receivers and sensors) are installed near the inverter and their signal cables are contained in the same panel as the inverter or are run near the inverter, the devices may be effected by air-propagated noises and the following measures must be taken:</p> <ol style="list-style-type: none"> (1) Install easily affected devices as far away as possible from the inverter. (2) Run easily affected signal cables as far away as possible from the inverter. (3) Do not run the signal cables and power cables (inverter I/O cables) in parallel with each other and do not bundle them. (4) Inset line noise filters into I/O and radio noise filters into input side to suppress cable-radiated noises. (5) Use shielded cables for signal cables and power cables and run them in individual metal conduits to reduce further effects.
4) 5) 6)	<p>When the signal cables are run in parallel with or bundled with the power cables, magnetic and static induction noise may be propagated to the signal cables to effect the devices and the following measures must be taken:</p> <ol style="list-style-type: none"> (1) Install easily affected devices as far away as possible from the inverter. (2) Run easily affected signal cables as far away as possible form the inverter. (3) Do not run the signal cables and power cables (inverter I/O cables) in parallel with each other and do not bundle them. (4) Use shield cables for signal cables and power cables and run them in individual metal conduits to reduce further effects.
7)	<p>When the power supplies of the peripheral devices are connected to the power supply of the inverter within the same line, inverter-generated noise may flow back through the power supply cables to misoperate the devices and the following measures must be taken:</p> <ol style="list-style-type: none"> (1) Install the radio noise filter (FR-BIF) to the power cables (input cables) of the inverter. (2) Install the line noise filter (FR-BLF, FR-BSF01) to the power cables (I/O cables) of the inverter.
8)	<p>When connecting the peripheral device wiring to the inverter forms a closed loop circuit, leakage current may flow through the ground cable of the inverter to effect the device. In such a case, disconnection of the ground cable of the device may cause the device to operate properly.</p>

● **Data line filter**

Noise entry can be prevented by providing a data line filter for the detector cable etc.

● **Example of counter measures against noise**



- In the AM radio broadcasting frequency band, fitting the FR-BIF on the input side produces a great effect.
- The FR-BSF01 and FR-BLF are designed to reduce a noise terminal voltage* in a wide frequency band and are therefore effective to prevent sensors and so on from malfunctioning.
- By using shielded cables as signal cables, induction noise can be reduced greatly (to 1/10 - 1/100).

*Noise terminal voltage: Represents the magnitude of noise propagated from the inverter to the power supply.

2.3.4 Leakage currents and countermeasures

Due to the static capacitance existing in the inverter I/O wiring and motor, leakage currents flow through them. Since their values depend on the static capacitance, etc., take countermeasures using the following methods.

(1) To-ground leakage currents

Leakage currents may flow not only into the inverter's own line but also into the other line through the ground cable, etc. These leakage currents may operate earth leakage circuit breakers and earth leakage relays unnecessarily.

● Countermeasures

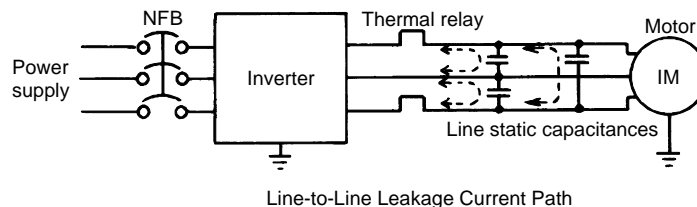
- Use earth leakage circuit breakers designed for harmonics and surges (e.g. Mitsubishi's Progressive Super Series) in the inverter's own line and other line.

● To-ground leakage current

- Note that a long wiring length will increase leakage currents.
- Higher motor capacity leads to larger leakage currents. Larger leakage currents occur in 400V class than in 200V class.

(2) Line-to-line leakage currents

Harmonics of leakage currents flowing in static capacities between the inverter output cables may operate the external thermal relay unnecessarily. When the wiring length is long (50m or more) for the 400V class small-capacity model (7.5kW or less), the external thermal relay is likely to operate unnecessarily because the ratio of the leakage current to the rated motor current increases.



● Countermeasures

- Use the electronic overcurrent protection (Pr. 9) of the inverter.
To ensure that the motor is protected against line-to-line leakage currents, it is recommended to use a temperature sensor to directly detect motor temperature.

2.3.5 Peripheral devices

(1) Selection of peripheral devices

Check the capacity of the motor to be used with the inverter you purchased. Appropriate peripheral devices must be selected according to the capacity.

Refer to the following list and prepare appropriate peripheral devices:

1) 200V class

Motor Output (kW)	Power Supply Capacity (kVA)	No-Fuse Breaker or Earth Leakage Circuit Breaker		Magnetic Contactor
		Standard	With power factor improving reactor	
0.4	1.5	Type NF30, NV30 5A	Type NF30, NV30 5A	S-N10
0.75	2.5	Type NF30, NV30 10A	Type NF30, NV30 10A	S-N10
1.5	4.5	Type NF30, NV30 15A	Type NF30, NV30 15A	S-N10
2.2	5.5	Type NF30, NV30 20A	Type NF30, NV30 15A	S-N11,S-N12
3.7	9	Type NF30, NV30 30A	Type NF30, NV30 30A	S-N20
5.5	12	Type NF50, NV50 50A	Type NF50, NV50 40A	S-N25
7.5	17	Type NF100, NV100 60A	Type NF50, NV50 50A	S-N35
11	20	Type NF100, NV100 75A	Type NF100, NV100 75A	S-K50
15	28	Type NF225, NV225 125A	Type NF100, NV100 100A	S-K65
18.5	34	Type NF225, NV225 150A	Type NF225, NV225 125A	S-K80
22	41	Type NF225, NV225 175A	Type NF225, NV225 150A	S-K95
30	52	Type NF225, NV225 225A	Type NF225, NV225 175A	S-K125
37	66	Type NF400, NV400 250A	Type NF225, NV225 225A	S-K150
45	80	Type NF400, NV400 300A	Type NF400, NV400 300A	S-K180

2) 400V class

Motor Output (kW)	Power Supply Capacity (kVA)	No-Fuse Breaker or Earth Leakage Circuit Breaker		Magnetic Contactor
		Standard	With power factor improving reactor	
0.4	1.5	Type NF30, NV30 5A	Type NF30, NV30 5A	S-N10
0.75	2.5	Type NF30, NV30 5A	Type NF30, NV30 5A	S-N10
1.5	4.5	Type NF30, NV30 10A	Type NF30, NV30 10A	S-N10
2.2	5.5	Type NF30, NV30 15A	Type NF30, NV30 10A	S-N11,S-N12
3.7	9	Type NF30, NV30 20A	Type NF30, NV30 15A	S-N20
5.5	12	Type NF30, NV30 30A	Type NF30, NV30 20A	S-N20
7.5	17	Type NF30, NV30 30A	Type NF30, NV30 30A	S-N20
11	20	Type NF50, NV50 50A	Type NF50, NV50 40A	S-N20
15	28	Type NF100, NV100 60A	Type NF50, NV50 50A	S-N25
18.5	34	Type NF100, NV100 75A	Type NF100, NV100 60A	S-N35
22	41	Type NF100, NV100 100A	Type NF100, NV100 75A	S-K50
30	52	Type NF225, NV225 125A	Type NF225, NV225 100A	S-K65
37	66	Type NF225, NV225 150A	Type NF225, NV225 125A	S-K80
55	100	Type NF225, NV225 200A	Type NF225, NV225 175A	S-K125

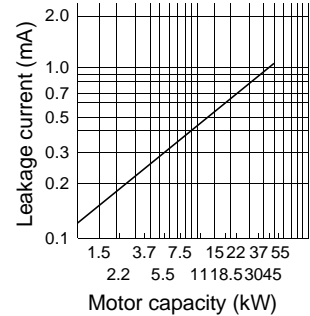
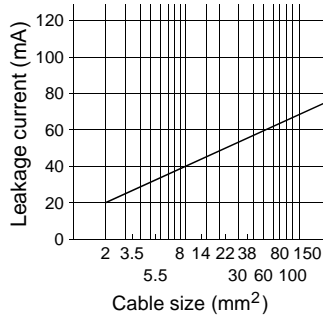
(2) Selection the rated sensitivity current for the earth leakage circuit breaker

When using the earth leakage circuit breaker with the inverter circuit, select its rated sensitivity current as follows, independent of the carrier frequency setting:

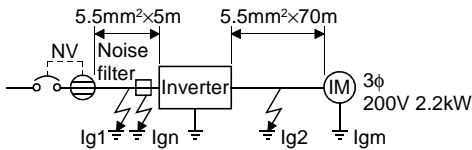
- Progressive Super Series (Type SP, CF, SF, CP)
Rated sensitivity current:
 $I_{\Delta n} \geq 10 \times (I_{g1} + I_{gn} + I_{g2} + I_{gm})$
- Conventional NV series (Type CA, CS, SS produced prior to '91)
Rated sensitivity current:
 $I_{\Delta n} \geq 10 \times \{I_{g1} + I_{gn} + 3 \times (I_{g2} + I_{gm})\}$
 I_{g1}, I_{g2} : leakage currents of cable path during commercial power supply operation
 I_{gn}^* : leakage current of noise filter on inverter input side
 I_{gm} : leakage current of motor during commercial power supply operation

Example of leakage current per 1km in cable path during commercial power supply operation when the CV cable is routed in metal conduit (200V 60Hz)

Leakage current example of 3-phase induction motor during commercial power supply operation (200V 60Hz)



<Example>



- Note 1. The NV should be installed to the primary (power supply) side of the inverter.
2. In the Δ connection neutral point grounded system, the sensitivity current becomes worse for ground faults in the inverter secondary side. Hence, the protective grounding of the load equipment should be 10Ω or less.

	Progressive Super Series (Type SP, CF, SF, CP)	Conventional NV (Type CA, CS, SS)
Leakage current I_{g1} (mA)	$33 \times \frac{5m}{1000m} = 0.17$	
Leakage current I_{gn} (mA)	0 (without noise filter)	
Leakage current I_{g2} (mA)	$33 \times \frac{70m}{1000m} = 2.31$	
Motor leakage current I_{gm} (mA)		0.18
Total leakage current (mA)	2.66	7.64
Rated sensitivity current ($\geq I_{g} \times 10$) (mA)	30	100

3. When the breaker is grounded on the secondary side of the inverter, it may be unnecessarily operated by harmonics if the effective value is less than the rating. In this case, note that the eddy current and hysteresis loss increase and temperature rises.

* For the leakage current value of the noise filter installed on the inverter input side, contact the corresponding filter manufacturer.

CHAPTER 3

OPERATION/CONTROL

This chapter provides the basic "operation/control" for use of this product.

Always read this chapter before using the equipment.

3.1 Pre-Operation Information.....	40
3.2 About the Control Panel.....	43
3.3 Operation	48

Before starting FR-B3 operation

(1) Magnetic flux vector control (auto tuning)

For explosion-proof certification, the inverter is tested after auto tuning has been performed under magnetic flux vector control. Therefore, before using the inverter, always perform auto tuning using the following procedure during installation, and run the inverter in the magnetic flux vector control system. Do not run it in the other system (V/F control).

- 1) Selection of magnetic flux vector control
 - a) Set Pr. 80 "motor capacity" and Pr. 81 "number of motor poles" according to the explosion-proof motor.
 - b) Set Pr. 71 "applied motor" to "3 ... variable-torque motor" or "13 ... constant-torque motor".
- 2) Setting of auto tuning parameters
 - a) Set Pr. 96 "auto tuning setting/status" to "101 ... tuning is performed with motor running". (Always choose "101 ... tuning is performed with motor running".)
 - b) Set Pr. 83 "rated motor voltage" and Pr. 84 "rated motor frequency" according to the explosion-proof motor.
- 3) Execution of auto tuning
Perform auto tuning and make sure that it has ended properly.
- 4) You cannot use online auto tuning. Use the Pr. 95 "online auto tuning selection" setting of "0".

(2) Maximum frequency

Set Pr. 1 "maximum frequency" to meet the permissible frequency of the pressure-resistant, explosion-proof motor.

(3) PWM frequency selection

- 1) Non-low acoustic noise type (FR-B3-(H)400 to 37K)
Set Pr. 72 "PWM frequency selection" to 2 (2kHz).
Set Pr. 240 "soft-PWM setting" to 1 (soft-PWM control valid).
(Pr. 72 and Pr. 240 are factory-set.)
- 2) Low acoustic noise type (FR-B3-N(H)400 to 37K)
Set Pr. 72 "PWM frequency selection" to 15 (14.5kHz).
(Pr. 72 is factory-set.)

Note: Performing parameter clear with the parameter unit returns the parameters to the factory settings. Therefore, re-set the above parameters.

Chapter 1

Chapter 2

Chapter 3

Chapter 4

Chapter 5

Chapter 6

Chapter 7

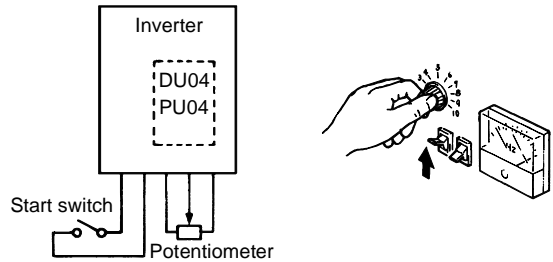
3.1 Pre-Operation Information

3.1.1 Devices and parts to be prepared for operation

The inverter can be operated in any of the "external operation mode", "PU operation mode", "combined operation mode" and "communication operation mode". Prepare required instruments and parts according to the operation mode.

(1) External operation mode (factory setting)

The inverter is operated under the control of external operation signals (frequency setting potentiometer, start switch, etc.) connected to the terminal block. With input power on, switch on the start signal (STF, STR) to start operation.



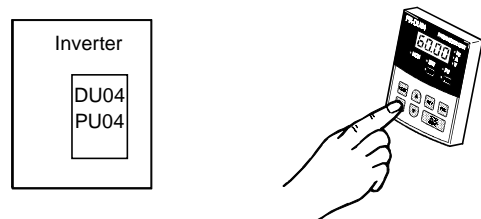
Preparation

- Start signal Switch, relay, etc.
- Frequency setting signal 0 to 5V, 0 to 10V or 4 to 20mA DC signals from a potentiometer or outside the inverter

Note: 1. Both the start signal and frequency setting signal are required to run the inverter.

(2) PU operation mode

The inverter is operated from the keypad of the PU (FR-DU04/FR-PU04). This mode does not require the operation signals to be connected and is useful for an immediate start of operation.



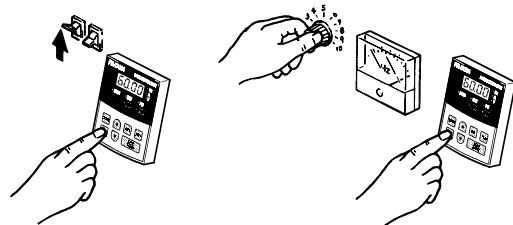
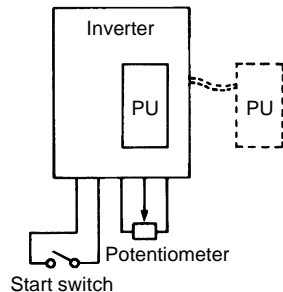
Preparation

- Operation unit..... Operation panel (FR-DU04), parameter unit (FR-PU04)
- Connection cable To be prepared for use of the operation unit away from the inverter.
FR-CB2 (option) or the following connector and cable available on the market:
Connector : RJ45 connector
Cable : Cable conforming to EIA568 (e.g. 10BASE-T cable)

(3) External/PU combined operation mode

The inverter is operated with the external operation and PU operation modes combined in any of the following ways:

- 1) The start signal is set with the external signal and the frequency setting signal set from the PU.
- 2) The start signal is set with the run command key of the PU (FR-DU04/FR-PU04) and the frequency setting signal set with the external frequency setting potentiometer.



Preparation

- Start signalSwitch, relay, etc. (for 1))
- Frequency setting signal0 to 5V, 0 to 10V or 4 to 20mA DC signals from a potentiometer or outside the inverter (for 2))
- Operation unit.....Operation panel (FR-DU04), parameter unit (FR-PU04)
- Connection cableTo be prepared for use of the operation unit away from the inverter FR-CB2 (option) or the following connector and cable available on the market:
 Connector : RJ45 connector
 Cable : Cable conforming to EIA568 (e.g. 10BASE-T cable)

3) Combined operation mode

Change the setting of Pr. 79 "operation mode selection" as follows:

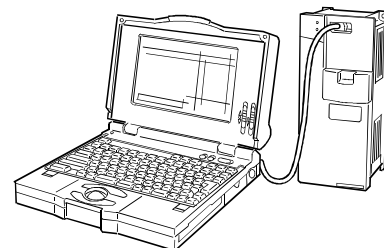
Setting	Description	
	Running frequency setting	Start signal
3	PU (FR-DU04/FR-PU04) • Direct setting and [UP/DOWN] key setting, Multi-speed setting	Terminal signal • STF • STR
4	Terminal signal • 0 to 5VDC across 2-5 • 0 to 10VDC across 2-5 • 4 to 20mADC across 4-5 • Multi-speed selection (Pr. 4 to Pr. 6, Pr. 24 to Pr. 27) • Jog frequency (Pr. 15)	Parameter unit • [FWD] key • [REV] key

(4) Communication operation mode

Communication operation can be performed by connecting a personal computer and the PU connector with the RS-485 communication cable.

Preparation

- Connection cableConnector : RJ45 connector
 Cable : Cable conforming to EIA568 (e.g. 10BASE-T cable)
- Personal computer



3.1.2 Power on

Before switching power on, check the following:

- **Installation check**

Make sure that the inverter is installed correctly in a correct place. (Refer to page 7.)

- **Wiring check**

Make sure that the main and control circuits are wired correctly.

Make sure that the options and peripheral devices are selected and connected correctly.

(Refer to page 9.)

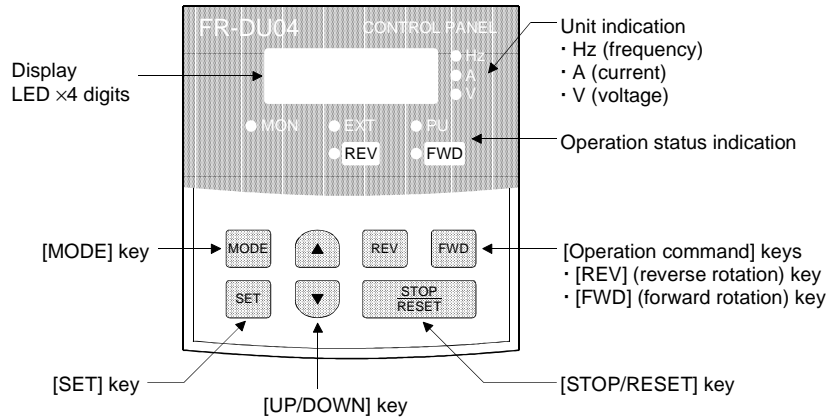
- **Switch power on.**

Power-on is complete when the POWER lamp is lit correctly and the operation panel (FR-DU04) displays correct data.



3.2 About the Control Panel

With the operation panel (FR-DU04), you can set the running frequency, monitor the operation command display, set parameters, display an error, and copy parameters.

3.2.1 Names and functions of the operation panel (FR-DU04)



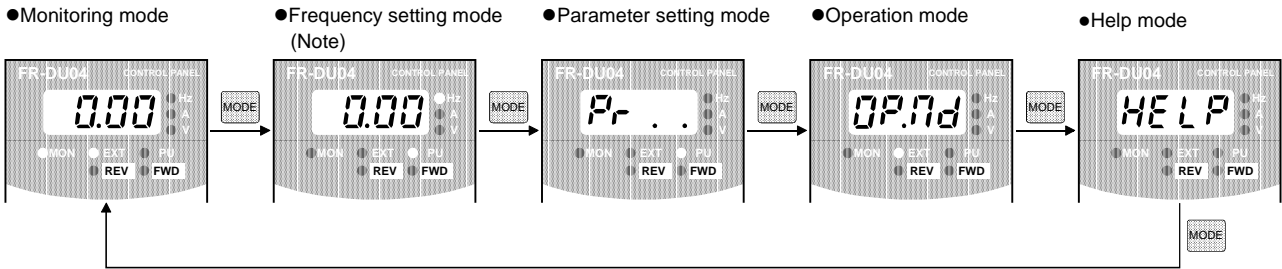
• Key indications

Key	Description
[MODE] key	You can select the operation mode or setting mode.
[SET] key	You can determine the frequency and parameter setting.
[UP/DOWN] key (  key)	<ul style="list-style-type: none"> Used to increase or decrease the running frequency consecutively. Hold down this key to change the frequency. Press this key in the setting mode to change the parameter setting consecutively.
[FWD] key	Used to give a forward rotation command.
[REV] key	Used to give a reverse rotation command.
[STOP/RESET] key	<ul style="list-style-type: none"> Used to stop operation. Used to reset the inverter when its output is stopped by the protective function activated (major fault).

• Unit indications, operating status indications

Indication	Description
Hz	Lit to indicate the frequency.
A	Lit to indicate the current.
V	Lit to indicate the voltage.
MON	Lit in the monitor display mode.
PU	Lit in the PU operation mode.
EXT	Lit in the external operation mode.
FWD	Flickers to indicate forward rotation.
REV	Flickers to indicate reverse rotation.

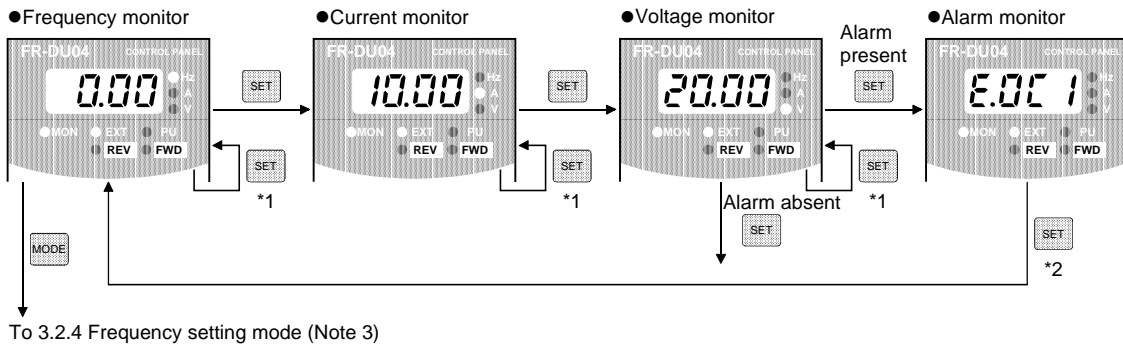
3.2.2 Monitor display changed by pressing the [MODE] key



Note: The frequency setting mode is displayed only in the PU operation mode.

3.2.3 Monitoring mode

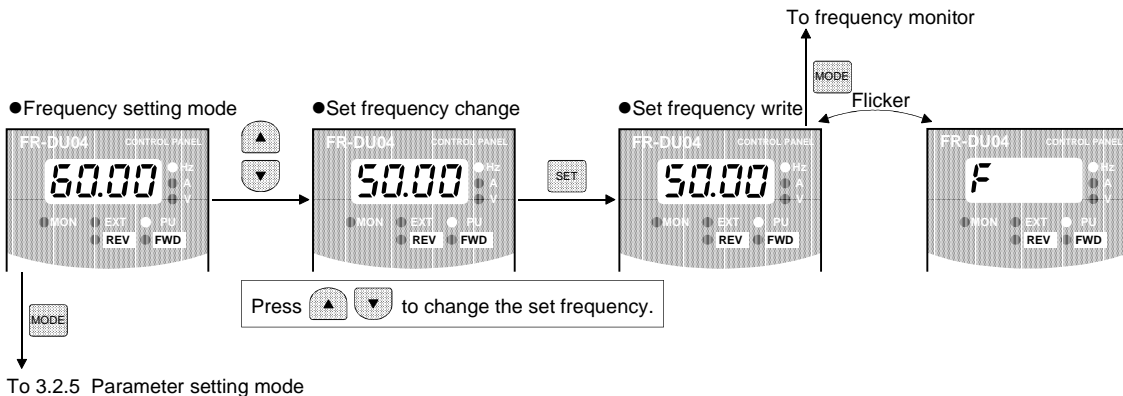
- Operation command indications in the monitoring mode
EXT is lit to indicate external operation.
PU is lit to indicate PU operation.
Both EXT and PU are lit to indicate PU/external combined operation mode.
- The monitor display can also be changed during operation.



Note: 1. Hold down the [SET] key marked *1 for more than 1.5 seconds to change the current monitor to the power-on monitor.
2. Hold down the [SET] key marked *2 for more than 1.5 seconds to display four errors including the most recent one.
3. Shifts to the parameter setting mode when in the external operation mode.

3.2.4 Frequency setting mode

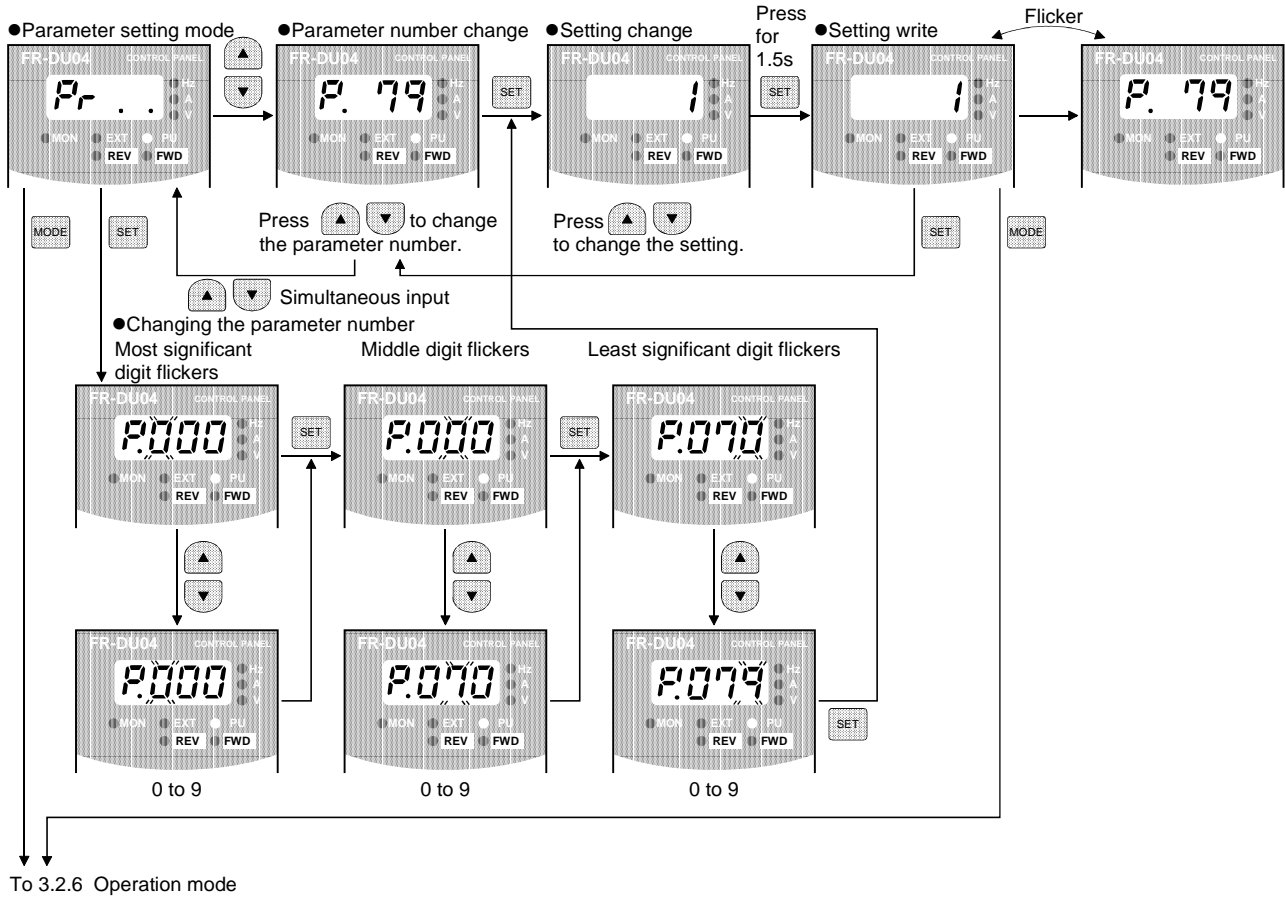
- Used to set the running frequency in the PU operation mode.



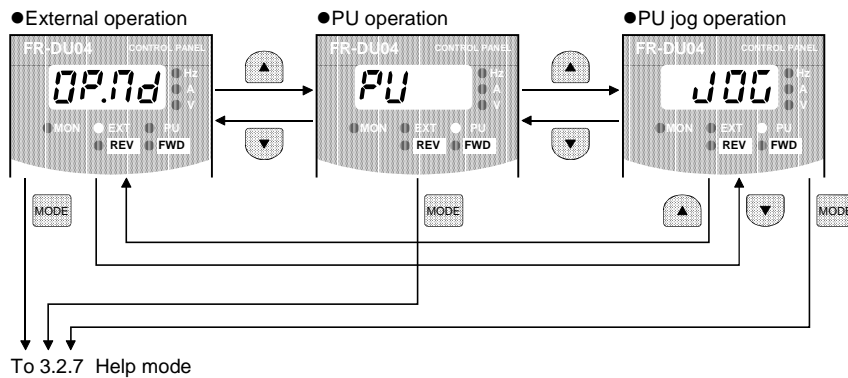
3.2.5 Parameter setting mode

- A parameter value may either be set by updating its parameter number or setting the value digit-by-digit using the [UP/DOWN] key.
 - To write the setting, change it and press the [SET] key 1.5 seconds.
- Set "1" (PU operation mode) in Pr. 79 "operation mode selection" or select the PU operation mode.

Note: If parameter write cannot be performed, refer to page 185.

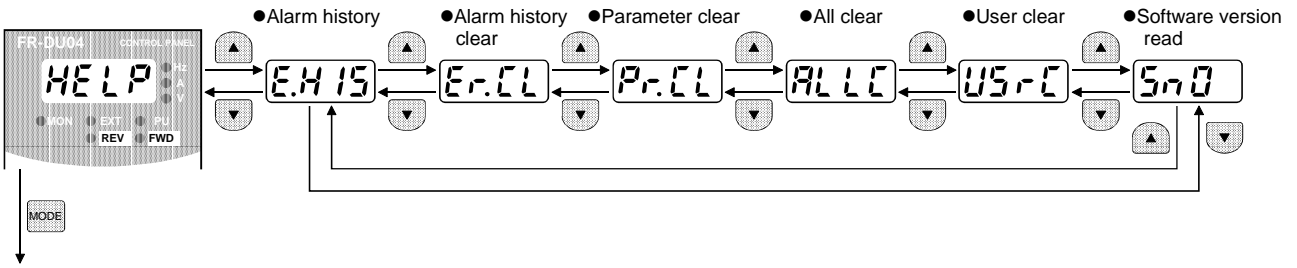


3.2.6 Operation mode



Note: If the operation mode cannot be changed, refer to page 185.

3.2.7 Help mode



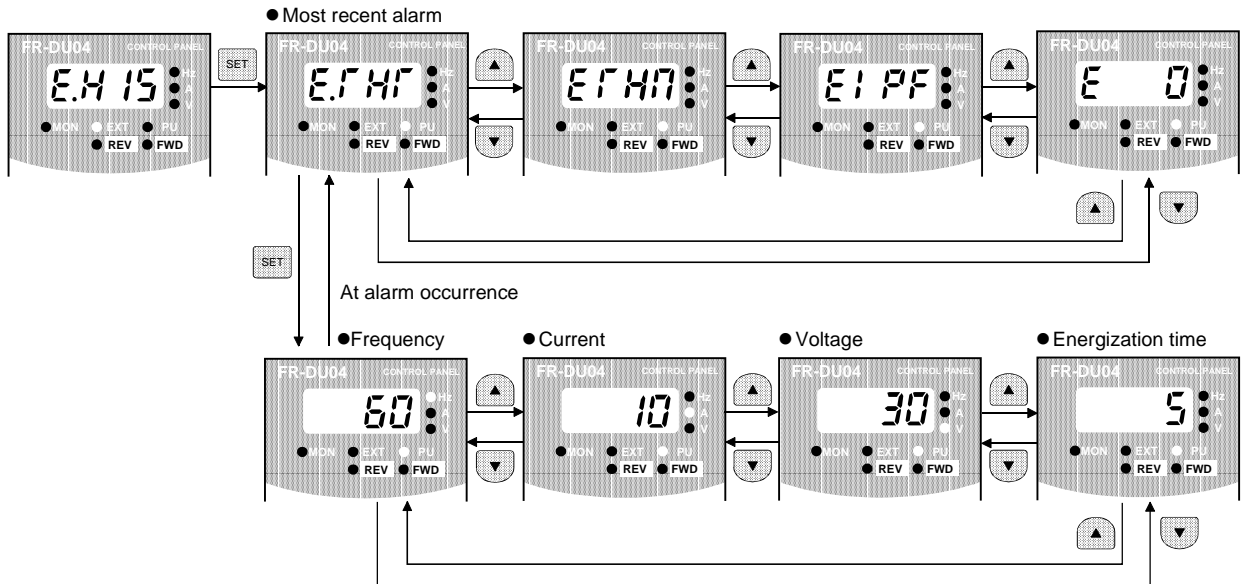
To 3.2.3 Monitoring mode

(1) Alarm history

Four past alarms can be displayed with the [UP/DOWN] key.

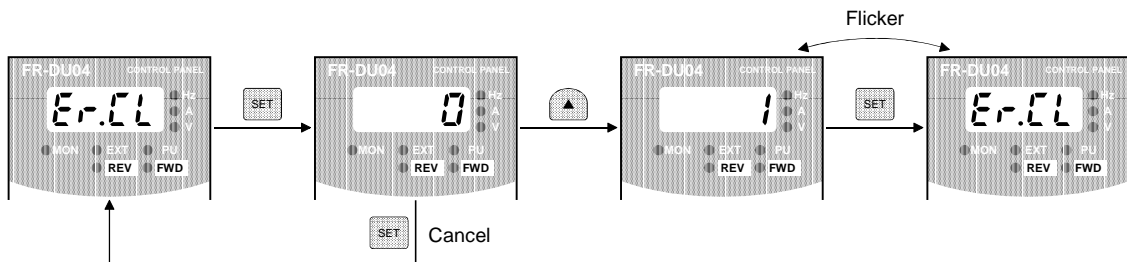
("." is appended to the most recent alarm.)

When no alarm exists, E_0 is displayed.



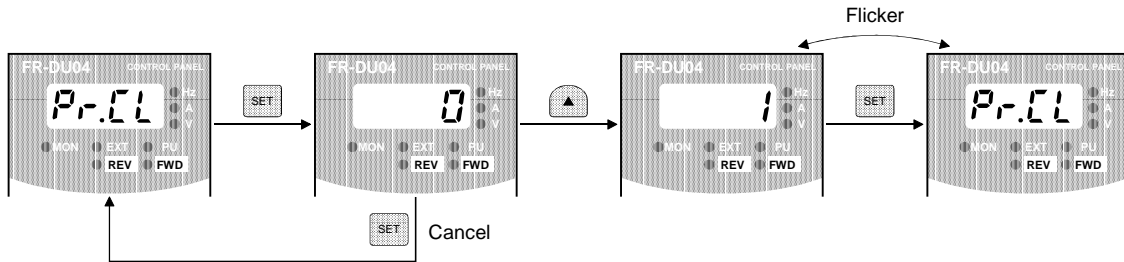
(2) Alarm history clear

Clears all alarm history.



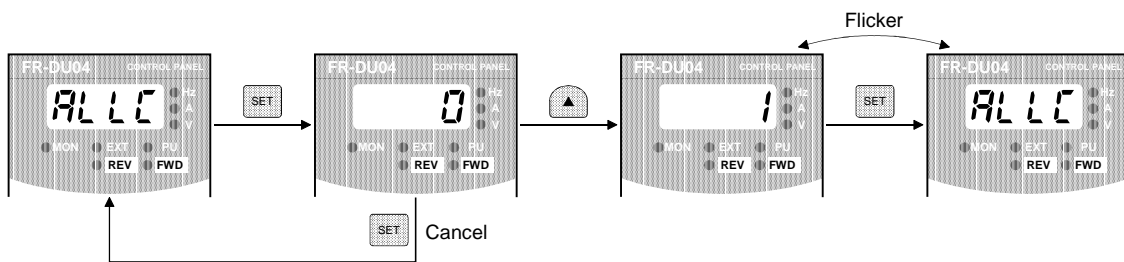
(3) Parameter clear

Initialises the parameter values to the factory settings. The calibration values are not initialized. (Parameter values are not cleared by setting "1" in Pr. 77 "parameter write disable selection".)



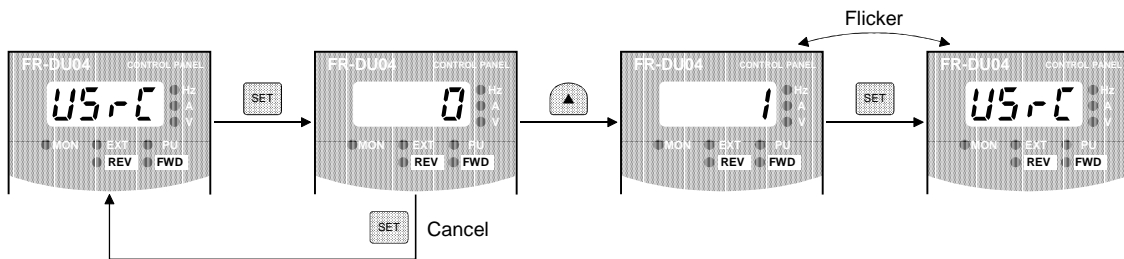
(4) All clear

Initialises the parameter values and calibration values to the factory settings.



(5) User clear

Initialises the user-set parameters. The other parameters are initialized to the factory settings.



Performing parameter clear returns the parameters to the factory settings. For the FR-B3 series, therefore, re-set the parameters given in Chapter 3.

3.2.8 Copy mode

By using the operation panel (FR-DU04), the parameter values can be copied to another inverter. However, do not use it because the conditions of the explosion-proof certification test may be changed.

3.3 Operation

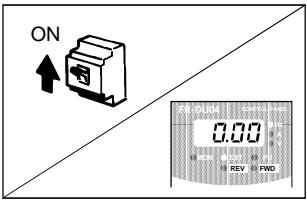
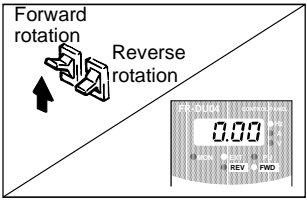
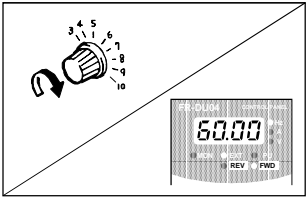
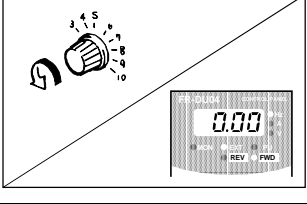
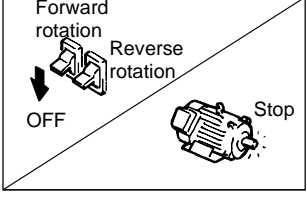
3.3.1 Pre-operation checks

Before starting operation, check the following:

- Safety
Perform test operation after making sure that safety is ensured if the machine should become out of control.
- Machine
Make sure that the machine is free of damage.
- Parameters
Set the parameter values to match the operating machine system environment.
- Test operation
Perform test operation and make sure that the machine operates safely under light load at a low frequency.
After that, start operation.
Run the FR-B3 series under advanced magnetic flux vector control.
- Motor check
Check that the motor is the Mitsubishi pressure-resistant, explosion-proof motor.
The FR-B-750 to 45K (200V class) and FR-B-750 to 55K (400V class) should be used with the motor type of X(E)F-(N)E.
The FR-B3-(H)400 to 37K should be used with the motor type of X(E)F-(N)ECA-2.
The FR-B3-N(H)400 to 37K should be used with the motor type of X(E)F-(N)ECA-1.

3.3.2 External operation mode (Operation using external input signals)

(1) Operation at 60Hz

Step	Description	Image
1	Power-on → Operation mode check Switch power on and make sure that the operation command indication "EXT" is lit. (If it is not lit, press the [MODE] key to choose the operation mode and press the [UP/DOWN] key to switch to external operation.)	
2	Start Turn on the start switch (STF or STR). The operation status indication "FWD" or "REV" flickers. <div style="border: 1px solid black; padding: 5px; width: fit-content;">Note: The motor does not start if both the forward and reverse rotation switches are turned on. If both switches are turned on during operation, the motor decelerates to a stop.</div>	
3	Acceleration → Constant speed Slowly turn the potentiometer (frequency setting potentiometer) full clockwise. The frequency shown on the display increases gradually to 60.00Hz.	
4	Deceleration Slowly turn the potentiometer (frequency setting potentiometer) full counterclockwise. The frequency shown on the display decreases gradually to 0.00Hz. The motor stops running.	
5	Stop Turn off the start switch (STF or STR).	

(2) External jog operation

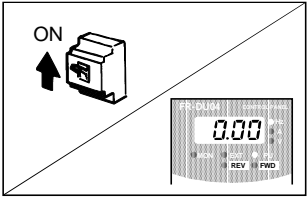
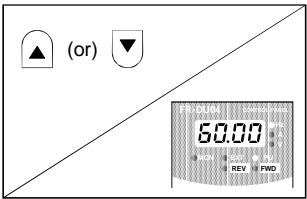
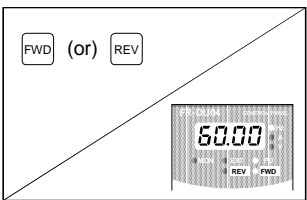
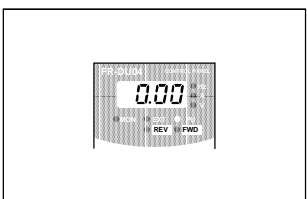
Keep the start switch (STF or STR) on to perform operation, and switch it off to stop.

- 1) Set Pr. 15 "jog frequency" and Pr. 16 "jog acceleration/deceleration time".
- 2) Select the external operation mode.
- 3) Switch on the jog signal. Keep the start switch (STF or STR) on to perform operation.
Use any of Pr. 180 to Pr. 186 "input terminal function selection" to assign the terminal used for the jog signal.

3.3.3 PU operation mode (Operation using the operation panel (FR-DU04))

(1) Operation at 60Hz

While the motor is running, repeat the following steps 2 and 3 to vary the speed:

Step	Description	Image
1	Power-on → Operation mode check Switch power on and make sure that the operation command indication "PU" is lit. (If it is not lit, press the [MODE] key to choose the operation mode and press the [UP/DOWN] key to switch to PU operation.)	
2	Running frequency setting Set the running frequency to 60Hz. First, press the [MODE] key to select the frequency setting mode. Then, press the [UP/DOWN] key to change the setting, and press the [SET] key to write the frequency.	
3	Start Press the [FWD] or [REV] key. The motor starts running. The monitoring mode is automatically selected and the output frequency is displayed.	
4	Stop Press the [STOP] key. The motor is decelerated to a stop.	

(2) PU jog operation


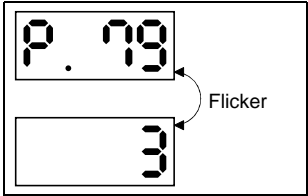
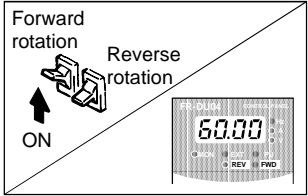
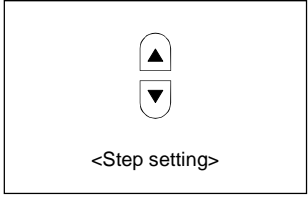
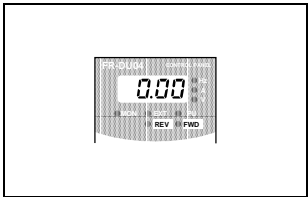
Hold down the [FWD] or [REV] key to perform operation, and release it to stop.

- 1) Set Pr. 15 "jog frequency" and Pr. 16 "jog acceleration/deceleration time".
- 2) Select the PU jog operation. (Press the [MODE] key to choose the operation mode and press the [UP/DOWN] key to switch to PU JOG operation.)
- 3) Hold down the [FWD] or [REV] key to perform operation.
(If the motor remains stopped, check Pr. 13 "starting frequency". The motor will not start if its setting is lower than the starting frequency.)

3.3.4 Combined operation mode (Operation using the external input signals and PU)

When entering the start signal from outside the inverter and setting the running frequency from the PU
(Pr. 79 = 3)

The external frequency setting signals and the PU's FWD, REV and STOP keys are not accepted. (Note)

Step	Description	Image
1	Power-on Switch power on.	
2	Operation mode selection Set "3" in Pr. 79 "operation mode selection". The combined operation mode is selected and the operation status indication "EXT" and "PU" are lit.	
3	Start Turn on the start switch (STF or STR). <div style="border: 1px solid black; padding: 5px; width: fit-content;">Note: The motor does not start if both the forward and reverse rotation switches are turned on. If both switches are turned on during operation, the motor decelerates (when Pr. 250 = "9999") to a stop.</div>	
4	Running frequency setting Using the parameter unit, set the running frequency to 60Hz. The operation command indication "REV" or "FWD" is lit. • Select the frequency setting mode and make step setting. <div style="border: 1px solid black; padding: 5px; width: fit-content;">Note: Step setting is the way of changing the frequency consecutively by pressing the [UP/DOWN] key. Hold down the [UP/DOWN] key to change the frequency.</div>	
5	Stop Turn off the start switch (STF or STR). The motor stops running.	

Note: The stop key is made valid when the Pr.75 "PU stop selection" value is any of 14 to 17.



MEMO

CHAPTER 4

PARAMETERS

This chapter explains the "parameters" of this product. The inverter is designed to perform simple variable-speed operation with the factory settings of the parameters. Set the necessary parameters according to the load and operation specifications.

Always read the instructions before using the equipment.

4.1 Parameter List	52
4.2 Parameter Function Details.....	63

Note: By making parameter settings, you can change the functions of contact input terminals RL, RM, RH, RT, AU, JOG, CS and open collector output terminals RUN, SU, IPF, OL, FU. Therefore, signal names corresponding to the functions are used in the description of this chapter (except in the wiring examples). Note that they are not terminal names.

Chapter 1

Chapter 2

Chapter 3

Chapter 4

Chapter 5

Chapter 6

Chapter 7

4.1 Parameter List

PARAMETERS

4.1.1 Parameter list

Function	Parameter Number	Name	Setting Range		Minimum Setting Increments	Factory Setting		Refer To Page:	Customer Setting
			FR-B	FR-B3		FR-B	FR-B3		
Basic functions	0 (Note 1, 11)	Parameter set by manufacturer. Do not set.							
	1	Maximum frequency	0 to 120Hz/ 0 to 60Hz (Note 12)	0 to 120Hz	0.01Hz	60Hz	120Hz	63	
	2	Minimum frequency	0 to 120Hz/ 0 to 60Hz (Note 12)	0 to 120Hz	0.01Hz	0Hz		63	
	3 (Note 1, 11)	Parameter set by manufacturer. Do not set.							
	4	Multi-speed setting (high speed)	0 to 120Hz/ 0 to 60Hz (Note 12)	0 to 400Hz	0.01Hz	60Hz		64	
	5	Multi-speed setting (middle speed)	0 to 120Hz/ 0 to 60Hz (Note 12)	0 to 400Hz	0.01Hz	30Hz		64	
	6	Multi-speed setting (low speed)	0 to 120Hz/ 0 to 60Hz (Note 12)	0 to 400Hz	0.01Hz	10Hz		64	
	7	Acceleration time	0 to 3600 s/ 0 to 360 s		0.1 s/ 0.01 s	5 s/15 s (Note 6)		66	
	8	Deceleration time	0 to 3600 s/ 0 to 360 s		0.1 s/ 0.01 s	5 s/15 s (Note 6)		66	
9	Electronic thermal O/L relay	0 to 500A		0.01A	Rated output current		68		
Standard operation functions	10 (Note 11)	DC injection brake operation frequency	—	0 to 120Hz, 9999	0.01Hz	—	3Hz	69	
	11	DC injection brake operation time	0, 0.5s	0 to 10 s, 8888	0.1 s	0.5 s		69	
	12 (Note 11)	DC injection brake voltage	—	0 to 30%	0.1%	—	4%/2% (Note 6)	69	
	13	Starting frequency	0 to 60Hz		0.01Hz	0.5Hz		70	
	14 (Note 1, 11)	Parameter set by manufacture. Do not set.							
	15	Jog frequency	0 to 120Hz/ 0 to 60Hz (Note 12)	0 to 400Hz	0.01Hz	5Hz		71	
	16	Jog acceleration/deceleration time	0 to 3600 s/ 0 to 360 s		0.1 s/ 0.01 s	0.5 s		71	
	17	MRS input selection	0,2		1	0		72	
	18 (Note 11)	Parameters set by manufacturer. Do not set.							
	19 (Note 1, 11)								
	20	Acceleration/deceleration reference frequency	0 to 120Hz/ 0 to 60Hz (Note 12)	1 to 400Hz	0.01Hz	60Hz		66	
	21	Acceleration/deceleration time increments	0,1		1	0		66	
	22	Stall prevention operation level	0 to 200%, 9999		0.1%	150%		73	
	23	Stall prevention operation level compensation factor at double speed	0 to 200%, 9999		0.1%	9999		73	
	24	Multi-speed setting (speed 4)	0 to 120Hz/ 0 to 60Hz (Note 12), 9999	0 to 400Hz, 9999	0.01Hz	9999		64	
	25	Multi-speed setting (speed 5)	0 to 120Hz/ 0 to 60Hz (Note 12), 9999	0 to 400Hz, 9999	0.01Hz	9999		64	

PARAMETERS

Function	Parameter Number	Name	Setting Range		Minimum Setting Increments	Factory Setting		Refer To Page:	Customer Setting
			FR-B	FR-B3		FR-B	FR-B3		
Standard operation functions	26	Multi-speed setting (speed 6)	0 to 120Hz/ 0 to 60Hz (Note 12), 9999	0 to 400Hz, 9999	0.01Hz	9999		64	
	27	Multi-speed setting (speed 7)	0 to 120Hz/ 0 to 60Hz (Note 12), 9999	0 to 400Hz, 9999	0.01Hz	9999		64	
	28	Multi-speed input compensation	0, 1		1	0		74	
	29	Acceleration/deceleration pattern	0, 1, 2, 3		1	0		75	
	30 (Note 11)	Regenerative function selection	—	0, 1, 2	1	—	0	76	
	31	Frequency jump 1A	0 to 120Hz/ 0 to 60Hz (Note 12), 9999	0 to 400Hz, 9999	0.01Hz	9999		78	
	32	Frequency jump 1B	0 to 120Hz/ 0 to 60Hz (Note 12), 9999	0 to 400Hz, 9999	0.01Hz	9999		78	
	33	Frequency jump 2A	0 to 120Hz/ 0 to 60Hz (Note 12), 9999	0 to 400Hz, 9999	0.01Hz	9999		78	
	34	Frequency jump 2B	0 to 120Hz/ 0 to 60Hz (Note 12), 9999	0 to 400Hz, 9999	0.01Hz	9999		78	
	35	Frequency jump 3A	0 to 120Hz/ 0 to 60Hz (Note 12), 9999	0 to 400Hz, 9999	0.01Hz	9999		78	
	36	Frequency jump 3B	0 to 120Hz/ 0 to 60Hz (Note 12), 9999	0 to 400Hz, 9999	0.01Hz	9999		78	
	37	Speed display	0, 1 to 9998		1	0		79	
Output terminal functions	41	Up-to-frequency sensitivity	0 to 100%		0.1%	10%		80	
	42	Output frequency detection	0 to 120Hz/ 0 to 60Hz (Note 12)	0 to 400Hz	0.01Hz	6Hz		80	
	43	Output frequency detection for reverse rotation	0 to 120Hz/ 0 to 60Hz (Note 12), 9999	0 to 400Hz, 9999	0.01Hz	9999		80	
Second functions	44	Second acceleration/deceleration time	0 to 3600 s/ 0 to 360 s		0.1 s/0.01 s	5 s		66	
	45	Second deceleration time	0 to 3600 s/0 to 360 s, 9999		0.1 s/0.01 s	9999		66	
	46 (Note 1, 11)	Parameter set by manufacture. Do not set.							
	47 (Note 1, 11)								
	48	Second stall prevention operation current	0 to 200%		0.1%	150%		82	
	49	Second stall prevention operation frequency	0 to 120Hz/ 0 to 60Hz (Note 12), 9999	0 to 400Hz, 9999	0.01	0		82	
50	Second output frequency detection	0 to 120Hz/ 0 to 60Hz (Note 12)	0 to 400Hz	0.01Hz	30Hz		80		

PARAMETERS

Function	Parameter Number	Name	Setting Range		Minimum Setting Increments	Factory Setting		Refer To Page:	Customer Setting
			FR-B	FR-B3		FR-B	FR-B3		
Display functions	52	DU/PU main display data selection	0 to 20, 22, 23, 24, 25, 100		1	0		83	
	53	PU level display data selection	0 to 3, 5 to 14, 17, 18		1	1		83	
	54	FM terminal function selection	1 to 3, 5 to 14, 17, 18, 21		1	1		83	
	55	Frequency monitoring reference	0 to 120Hz/ 0 to 60Hz (Note 12)	0 to 400Hz	0.01Hz	60Hz		86	
	56	Current monitoring reference	0 to 500A		0.01A	Rated output current		86	
Automatic restart functions	57	Restart coasting time	0, 0.1 to 5 s, 9999		0.1 s	9999		87	
	58	Restart cushion time	0 to 60 s		0.1 s	1.0 s		87	
Additional function	59	Remote setting function selection	0, 1, 2		1	0		89	
Operation selection functions	60 (Note 11)	Intelligent mode selection	—	0 to 8	1	—	0	90	
	61 (Note 11)	Reference I for intelligent mode	—	0 to 500A, 9999	0.01A	—	9999	92	
	62 (Note 11)	Ref. I for intelligent mode accel.	—	0 to 200%, 9999	0.1%	—	9999	92	
	63 (Note 11)	Ref. I for intelligent mode decel.	—	0 to 200%, 9999	0.1%	—	9999	92	
	64 (Note 11)	Starting frequency for elevator mode	—	0 to 10Hz, 9999	0.01Hz	—	9999	92	
	65	Retry selection	0 to 5		1	0		93	
	66	Stall prevention operation level reduction starting frequency	0 to 120Hz/ 0 to 60Hz (Note 12)	0 to 400Hz	0.01Hz	60Hz		73	
	67	Number of retries at alarm occurrence	0 to 10, 101 to 110		1	0		93	
	68	Retry waiting time	0 to 10 s		0.1 s	1 s		93	
	69	Retry count display erasure	0		—	0		93	
	70 (Note 11)	Special regenerative brake duty	—	0 to 15%/0 to 30%/0% (Note 10)	0.1%	—	0%	76	
	71	Applied motor	0, 1	0 to 8, 13 to 18, 20, 23, 24	1	0		94	
	72 (Note 11)	PWM frequency selection	—	0 to 15	1	—	2/15 (Note 13)	96	
	73	0-5V/0-10V selection	0 to 5, 10 to 15		1	1		97	
	74	Filter time constant	0 to 8		1	1		98	
	75	Reset selection/disconnected PU detection/PU stop selection	0 to 3, 14 to 17		1	14		98	
	76	Alarm code output selection	0, 1, 2, 3		1	0		101	
	77	Parameter write disable selection	0, 1, 2		1	0		102	
	78	Reverse rotation prevention selection	0, 1,		1	0		103	
79	Operation mode selection	0 to 8		1	0		104		

PARAMETERS

Function	Parameter Number	Name	Setting Range		Minimum Setting Increments	Factory Setting		Refer To Page:	Customer Setting
			FR-B	FR-B3		FR-B	FR-B3		
Advanced magnetic flux vectorcontrol	80 (Note 11)	Motor capacity	—	0.4 to 55kW, 9999	0.01kW	—	9999	107	
	81 (Note 11)	Number of motor poles	—	2, 4, 6, 12, 14, 16, 9999	1	—	9999	107	
	82 (Note 11)	Motor exciting current (Note 4)	—	0 to , 9999	1	—	9999	108	
	83 (Note 11)	Rated motor voltage	—	0 to 1000V	0.1V	—	200/400V (Note 2)	108	
	84 (Note 11)	Rated motor frequency	—	50 to 120Hz	0.01Hz	—	60Hz	108	
	89 (Note 11)	Speed control gain	—	0 to 200.0%	0.1%	—	100%	107	
	90 (Note 11)	Motor constant (R1) (Note 4)	—	0 to, 9999		—	9999	108	
	91 (Note 11)	Motor constant (R2) (Note 4)	—	0 to, 9999		—	9999	108	
	92 (Note 11)	Motor constant (L1) (Note 4)	—	0 to, 9999		—	9999	108	
	93 (Note 11)	Motor constant (L2) (Note 4)	—	0 to, 9999		—	9999	108	
	94 (Note 11)	Motor constant (X)	—	0 to, 9999		—	9999	108	
	95 (Note 11)	Parameter set by manufacture. Do not set. Set the value of "0" and do not alter.							
96 (Note 11)	Auto tuning setting/status	—	0, 1, 101	1	—	0	108		
5-point flexible V/F characteristics	100 (Note 1,11)	Parameters set by manufacturer. Do not set.							
	101 (Note 1,11)								
	102 (Note 1,11)								
	103 (Note 1,11)								
	104 (Note 1,11)								
	105 (Note 1,11)								
	106 (Note 1,11)								
5-point flexible V/F characteristics	107 (Note 1,11)								
	108 (Note 1,11)								
	109 (Note 1,11)								
Third functions	110	Third acceleration/deceleration time	0 to 3600 s/0 to 360 s, 9999		0.1 s/0.01 s	9999	66		
	111	Third deceleration time	0 to 3600 s/0 to 360 s, 9999		0.1 s/0.01 s	9999	66		
	112 (Note 1,11)	Parameters set by manufacturer. Do not set.							
	113 (Note 1,11)								
	114	Third stall prevention operation current	0 to 200%		0.1%	150%	82		
	115	Third stall prevention operation frequency	0 to 120Hz/ 0 to 60Hz (Note 12)	0 to 400Hz	0.01Hz	0	82		
	116	Third output frequency detection	0 to 120Hz/ 0 to 60Hz (Note 12), 9999	0 to 400Hz, 9999	0.01Hz	9999	80		

PARAMETERS

Function	Parameter Number	Name	Setting Range		Minimum Setting Increments	Factory Setting		Refer To Page:	Customer Setting
			FR-B	FR-B3		FR-B	FR-B3		
Communication functions	117	Station number	0 to 31		1	0		113	
	118	Communication speed	48, 96, 192		1	192		113	
	119	Stop bit length	0, 1 (data length 8) 10, 11 (data length 7)		1	1		113	
	120	Parity check presence/absence	0, 1, 2		1	2		113	
	121	Number of communication retries	0 to 10, 9999		1	1		113	
	122	Communication check time interval	0, 0.1 to 999.8 s, 9999		0.1 s	0		113	
	123	Waiting time setting	0 to 150ms, 9999		1ms	9999		113	
	124	CR-LF presence/absence selection	0,1,2		1	1		113	
PID control	128	PID action selection	10, 11, 20, 21		—	10		125	
	129	PID proportional band	0.1 to 1000%, 9999		0.1%	100%		125	
	130	PID integral time	0.1 to 3600 s, 9999		0.1 s	1 s		125	
	131	Upper limit	0 to 100%, 9999		0.1%	9999		125	
	132	Lower limit	0 to 100%, 9999		0.1%	9999		125	
	133	PID action set point for PU operation	0 to 100%		0.01%	0%		125	
Commercial power supply-inverter switch-over	134	PID differential time	0.01 to 10.00 s, 9999		0.01 s	9999		125	
	135	Parameters set by manufacturer. Do not set.							
	136								
	137								
	138								
139									
Backlash	140	Backlash acceleration stopping frequency (Note 7)	0 to 120Hz/ 0 to 60Hz (Note 12)	0 to 400Hz	0.01Hz	1.00Hz		75	
	141	Backlash acceleration stopping time (Note 7)	0 to 360 s		0.1 s	0.5 s		75	
	142	Backlash deceleration stopping frequency (Note 7)	0 to 120Hz/ 0 to 60Hz (Note 12)	0 to 400Hz	0.01Hz	1.00Hz		75	
	143	Backlash deceleration stopping time (Note 7)	0 to 360 s		0.1 s	0.5 s		75	
Display	144	Speed setting switch-over	0, 2, 4, 6, 8, 10, 102, 104, 106, 108, 110		1	4		79	
Additional functions	145	Parameter for option (FR-PU04).							
	148	Stall prevention level at 0V input	0 to 200%		0.1%	150%		73	
	149	Stall prevention level at 10V input	0 to 200%		0.1%	200%		73	

PARAMETERS

Function	Parameter Number	Name	Setting Range		Minimum Setting Increments	Factory Setting		Refer To Page:	Customer Setting
			FR-B	FR-B3		FR-B	FR-B3		
Current detection	150	Output current detection level	0 to 200%		0.1%	150%		132	
	151	Output current detection period	0 to 10 s		0.1 s	0		132	
	152	Zero current detection level	0 to 200.0%		0.1%	5.0%		133	
	153	Zero current detection period	0 to 1 s		0.01 s	0.5 s		133	
Sub functions	154	Voltage reduction selection during stall prevention operation	0, 1		1	1		73	
	155	RT signal activated condition	0, 10		1	0		134	
	156	Stall prevention operation selection	0 to 31, 100, 101		1	0		134	
	157	OL signal waiting time	0 to 25 s, 9999		0.1 s	0		136	
	158	AM terminal function selection	1 to 3, 5 to 14, 17, 18, 21		1	1		83	
Additional function	160	User group read selection	0, 1, 10, 11		1	0		137	
Automatic restart after instantaneous power failure	162	Automatic restart after instantaneous power failure selection	0, 1		1	0		87	
	163	First cushion time for restart	0 to 20 s		0.1 s	0 s		87	
	164	First cushion voltage for restart	0 to 100%		0.1%	0%		87	
	165	Restart stall prevention operation level	0 to 200%		0.1%	150%		87	
Additional function	168	Parameter set by manufacture. Do not set.							
	169								
Initial monitor	170	Watt-hour meter clear	0		—	0		138	
	171	Actual operation hour meter clear	0		—	0		138	
User functions	173	User group 1 registration	0 to 999		1	0		137	
	174	User group 1 deletion	0 to 999, 9999		1	0		137	
	175	User group 2 registration	0 to 999		1	0		137	
	176	User group 2 deletion	0 to 999, 9999		1	0		137	
Terminal assignment functions	180	RL terminal function selection	0 to 99, 9999		1	0		139	
	181	RM terminal function selection	0 to 99, 9999		1	1		139	
	182	RH terminal function selection	0 to 99, 9999		1	2		139	
	183	RT terminal function selection	0 to 99, 9999		1	3		139	
	184	AU terminal function selection	0 to 99, 9999		1	4		139	
	185	JOG terminal function selection	0 to 99, 9999		1	5		139	
	186	CS terminal function selection	0 to 99, 9999		1	6		139	
	190	RUN terminal function selection	0 to 199, 9999		1	0		142	
	191	SU terminal function selection	0 to 199, 9999		1	1		142	
	192	IPF terminal function selection	0 to 199, 9999		1	2		142	
	193	OL terminal function selection	0 to 199, 9999		1	3		142	
194	FU terminal function selection	0 to 199, 9999		1	4		142		
195	A, B, C terminal function selection	0 to 199, 9999		1	99		142		
Additional function	199	User's initial value setting	0 to 999, 9999		1	0		144	

PARAMETERS

Function	Parameter Number	Name	Setting Range		Minimum Setting Increments	Factory Setting		Refer To Page:	Customer Setting
			FR-B	FR-B3		FR-B	FR-B3		
Programmed operation	200	Programmed operation minute/second selection	0, 2: Minute, second 1, 3: Hour, minute		1	0		145	
	201	Program set 1 1 to 10	0-2: Rotation direction 0 to 120Hz/ 0 to 60Hz (Note 12), 9999: Frequency 0-99.59: Time	0-2: Rotation direction 0-400, 9999: Frequency 0-99.59: Time	1 0.1Hz Minute or second	0 9999 0		145	
	211	Program set 2 11 to 20	0-2: Rotation direction 0 to 120Hz/ 0 to 60Hz (Note 12), 9999: Frequency 0-99.59: Time	0-2: Rotation direction 0-400, 9999: Frequency 0-99.59: Time	1 0.1Hz Minute or second	0 9999 0		145	
	221	Program set 3 21 to 30	0-2: Rotation direction 0 to 120Hz/ 0 to 60Hz (Note 12), 9999: Frequency 0-99.59: Time	0-2: Rotation direction 0-400, 9999: Frequency 0-99.59: Time	1 0.1Hz Minute or second	0 9999 0		145	
	231	Timer setting	0 to 99.59		—	0		145	
Multi-speed operation	232	Multi-speed setting (speed 8)	0 to 120Hz/ 0 to 60Hz (Note 12), 9999	0 to 400Hz, 9999	0.01Hz	9999		64	
	233	Multi-speed setting (speed 9)	0 to 120Hz/ 0 to 60Hz (Note 12), 9999	0 to 400Hz, 9999	0.01Hz	9999		64	
	234	Multi-speed setting (speed 10)	0 to 120Hz/ 0 to 60Hz (Note 12), 9999	0 to 400Hz, 9999	0.01Hz	9999		64	
	235	Multi-speed setting (speed 11)	0 to 120Hz/ 0 to 60Hz (Note 12), 9999	0 to 400Hz, 9999	0.01Hz	9999		64	
	236	Multi-speed setting (speed 12)	0 to 120Hz/ 0 to 60Hz (Note 12), 9999	0 to 400Hz, 9999	0.01Hz	9999		64	
	237	Multi-speed setting (speed 13)	0 to 120Hz/ 0 to 60Hz (Note 12), 9999	0 to 400Hz, 9999	0.01Hz	9999		64	
	238	Multi-speed setting (speed 14)	0 to 120Hz/ 0 to 60Hz (Note 12), 9999	0 to 400Hz, 9999	0.01Hz	9999		64	
	239	Multi-speed setting (speed 15)	0 to 120Hz/ 0 to 60Hz (Note 12), 9999	0 to 400Hz, 9999	0.01Hz	9999		64	
Sub functions	240 (Note 11)	Soft-PWM setting	—	0, 1	1	—	1	96	
	244	Cooling fan operation selection	0, 1		1	0		149	
Stop selection function	250	Stop selection	0 to 100 s, 9999		0.1 s	9999		150	

PARAMETERS

Function	Parameter Number	Name	Setting Range		Minimum Setting Increments	Factory Setting		Refer To Page:	Customer Setting
			FR-B	FR-B3		FR-B	FR-B3		
Additional function	251	Output phase failure protection selection	0,1		1	1		151	
	252	Override bias	0 to 200%		0.1%	50%		151	
	253	Override gain	0 to 200%		0.1%	150%		151	
Power failure stop function	261	Power failure stop selection	0, 1		1	0		152	
	262	Subtracted frequency at deceleration start	0 to 20Hz		0.01Hz	3Hz		152	
	263	Subtraction starting frequency	0 to 120Hz/ 0 to 60Hz (Note 12), 9999	0 to 120Hz, 9999	0.01Hz	60Hz		152	
	264	Power-failure deceleration time 1	0 to 3600/0 to 360 s		0.1 s/0.01 s	5 s		152	
	265	Power-failure deceleration time 2	0 to 3600/0 to 360 s, 9999		0.1 s/0.01 s	9999		152	
	266	Power-failure deceleration time switch-over frequency	0 to 120Hz/ 0 to 60Hz (Note 12),	0 to 400Hz	0.01Hz	60Hz		152	
Selection function	270	Stop-on-contact/load torque high-speed frequency control selection	0, 2	0, 1, 2, 3	1	0		153	
High-speed frequency control	271	High-speed setting maximum current	0 to 200%		0.1%	50%		154	
	272	Mid-speed setting minimum current	0 to 200%		0.1%	100%		154	
	273	Current averaging range	0 to 120Hz/ 0 to 60Hz (Note 12), 9999	0 to 400Hz, 9999	0.01Hz	9999		154	
	274	Current averaging filter constant	1 to 4000		1	16		154	
Stop on contact	275 (Note 11)	Stop-on-contact exciting current low-speed multiplying factor	—	0 to 1000%, 9999	1%	—	9999 (Note 5)	157	
	276 (Note 11)	Stop-on-contact PWM carrier frequency	—	0 to 15, 9999	1	—	9999 (Note 5)	157	
Brake sequence functions	278 (Note 11)	Brake opening frequency (Note 3)	—	0 to 30Hz	0.01Hz	—	3Hz	161	
	279 (Note 11)	Brake opening current (Note 3)	—	0 to 200%	0.1%	—	130%	161	
	280 (Note 11)	Brake opening current detection time (Note 3)	—	0 to 2 s	0.1 s	—	0.3 s	161	
	281 (Note 11)	Brake operation time at start (Note 3)	—	0 to 5 s	0.1 s	—	0.3 s	161	
	282 (Note 11)	Brake operation frequency (Note 3)	—	0 to 30Hz	0.01Hz	—	6Hz	161	
	283 (Note 11)	Brake operation time at stop (Note 3)	—	0 to 5 s	0.1 s	—	0.3 s	161	
	284 (Note 11)	Deceleration detection function selection (Note 3)	—	0, 1	1	—	0	161	
	285 (Note 11)	Overspeed detection frequency	—	0 to 30Hz, 9999	0.01Hz	—	9999	161	
	286 (Note 11)	Drop gain	—	0 to 100%	0.1%	—	0%	165	
287 (Note 11)	Drop filter constant	—	0.00 to 1.00 s	0.01s	—	0.3s	165		

PARAMETERS

Function	Parameter Number	Name	Setting Range		Minimum Setting Increments	Factory Setting		Refer To Page:	Customer Setting
			FR-B	FR-B3		FR-B	FR-B3		
Calibration functions	900	FM terminal calibration	—		—	—		166	
	901	AM terminal calibration	—		—	—		166	
	902	Frequency setting voltage bias	0 to 10V	0 to 60Hz	0.01Hz	0V	0Hz	168	
	903	Frequency setting voltage gain	0 to 10V	0 to 120 Hz 0 to 60Hz (Note 12)	0 to 10V 1 to 400 Hz	0.01Hz	5V 60Hz	168	
	904	Frequency setting current bias	0 to 20mA	0 to 60Hz	0.01Hz	4mA	0Hz	168	
	905	Frequency setting current gain	0 to 20mA	0 to 120 Hz 0 to 60Hz (Note 12)	0 to 20mA 1 to 400 Hz	0.01Hz	20mA 60Hz	168	
Additional function	990	Buzzer control	0, 1		1	1		173	
	991	Parameter for option (FR-PU04).							

● In the FR-B3 series

- Note: 1. Indicates the parameter settings which are ignored when the advanced magnetic flux vector control mode is selected.
2. The factory setting of the FR-B3-N(H)400 to 37K is 400V.
 3. Can be set when Pr. 80, Pr. 81 ≠ 9999, Pr. 60 = 7 or 8.
 4. Can be accessed when Pr. 80, Pr. 81 ≠ 9999, Pr. 77 = 801.
 5. Can be accessed when Pr. 270 = 1 or 3, Pr. 80, Pr. 81 ≠ 9999.
 6. The setting depends on the inverter capacity.
 7. Can be accessed when Pr. 29 = 3.
 8. The half-tone screened parameters allow their settings to be changed during operation if 0 (factory setting) has been set in Pr. 77. (Note that the Pr. 72 and Pr. 240 settings cannot be changed during external operation.)
 9. The setting depends on the inverter capacity: (0.4K)/(1.5K to 3.7K)/(5.5K, 7.5K)/(11K).
 10. The setting depends on the inverter capacity: (0.4K to 1.5K)/(2.2K to 7.5K)/(11K or more).
 13. Value set for the FR-B3-(H)400 to 37K/FR-B3-N(H)400 to 37K.

● In the FR-B series

7. Can be accessed when Pr. 29 = 3.
8. The half-tone screened parameters allow their settings to be changed during operation if 0 (factory setting) has been set in Pr. 77. (Note that the Pr. 72 and Pr. 240 settings cannot be changed during external operation.)
11. Cannot be set for the FR-B series.
12. The setting range depends on the inverter capacity: 22K or less/30K or more.

4.1.2 List of Parameters Classified by Purpose of Use

Set the parameters according to the operating conditions. The following list indicates purpose of use and corresponding parameters.

Purpose of Use	Parameter Numbers		
	Parameter numbers which must be set		
	FR-B	FR-B3	
Related to operation	Adjustment of acceleration/deceleration time and pattern	Pr. 7, Pr. 8, Pr. 20, Pr. 21	
	Limit of output frequency	Pr. 1, Pr. 2	
	Operation over 60Hz	Pr. 903, Pr. 905	
	Adjustment of frequency setting signal and output	Pr. 73, Pr. 902 to Pr. 905	
	Adjustment of motor output torque	—	Pr. 80, Pr. 81, Pr. 89
	Adjustment of brake operation	Pr.11	Pr. 10 to Pr. 12
	Multi-speed operation	Pr. 4 to Pr. 5, Pr. 6, Pr. 24 to Pr. 27, Pr. 232 to Pr. 239	
	Jog operation	Pr. 15, Pr. 16	
	Frequency jump operation	Pr. 31 to Pr. 36	
	Automatic restart after instantaneous power failure	Pr. 57, Pr. 58	
Optimum acceleration/deceleration within continuous rating range	—	Pr. 60	
Related to application operation	Timing of magnetic brake operation	Pr. 42	
	Reversible operation according to analog signal polarity	Pr. 28, Pr. 73	
	Advanced magnetic flux vector control operation	—	Pr. 80, Pr. 81
	Sub-motor operation	Pr. 7, Pr. 8, Pr. 44, Pr. 45, Pr. 110, Pr. 111	
	Operation via communication with personal computer	Pr. 117 to Pr. 124	
	Operation under PID control	Pr. 128 to Pr. 134	
	To make backlash compensation	Pr. 140 to Pr. 143	
	To detect current	Pr. 150 to Pr. 153	
	Programmed operation	Pr. 200 to Pr. 231	
	High-speed frequency control operation	Pr. 271 to Pr. 274	
	To exercise stop-on-contact control	—	Pr. 275, Pr. 276
To exercise droop control	—	Pr. 286, Pr. 287	
Related to monitoring	Calibration of frequency meter	Pr. 54 to Pr. 56, Pr. 158, Pr. 900, Pr. 901	
	Adjustment of digital frequency meter	Pr. 54 to Pr. 56	
	Display of speed, etc.	Pr. 37, Pr. 52, Pr. 53	
	Clearing of inverter's actual operation time	Pr. 171	
	Alarm code output selection	Pr. 76	
Related to incorrect operation prevention	Function rewrite prevention	Pr. 77	
	Reverse rotation prevention	Pr. 78	
	To group parameters	Pr. 160, Pr. 173 to Pr. 176	
	To set initial values for parameters	Pr. 199	
	To decelerate inverter to a stop at power failure	Pr. 261 to Pr. 266	
Others	Assignment of input terminal functions	Pr. 180 to Pr. 186	
	Assignment of output terminal functions	Pr. 190 to Pr. 195	
	To increase cooling fan life	Pr. 244	
	Motor overheat protection	Pr. 9	
	Automatic restart after alarm stop	Pr. 65, Pr. 67 to Pr. 69	
	Selection of key beep	Pr. 990	
Inverter reset selection	Pr. 75		

4.1.3 Parameters recommended to be set by the user

We recommend the following parameters to be set by the user.

Set them according to the operation specifications, load, etc.

Parameter Number	Name	Application
1	Maximum frequency	Used to set the maximum and minimum output frequencies.
2	Minimum frequency	
7	Acceleration time	Used to set the acceleration and deceleration times.
8	Deceleration time	
44	Second acceleration/deceleration time	
45	Second deceleration time	
110	Third acceleration/deceleration time	
111	Third deceleration time	
9	Electronic thermal O/L relay	Used to set the current of the electronic overcurrent protection to protect the motor from overheat.
71	Applied motor	Used to set the thermal characteristics of the electronic overcurrent protection according to the motor used.
73	0-5V/0-10V selection	Used to select the specifications of the frequency setting signal entered across terminal 2-5 to perform operation with the voltage input signal.
900	FM terminal calibration	Used to calibrate the meters connected across terminals FM-SD and AM-5.
901	AM terminal calibration	
902	Frequency setting voltage bias	Used to set the magnitude (slope) of the output frequency relative to the frequency setting signal (0 to 5V, 0 to 10V or 4 to 20mA DC) as desired.
903	Frequency setting voltage gain	
904	Frequency setting current bias	
905	Frequency setting current gain	

Note: For the FR-B3, setting may have to be made before starting operation. Refer to Chapter 3.

4.2 Parameter Function Details

4.2.1 Output frequency range (Pr. 1, Pr. 2)

Pr. 1 "maximum frequency"

Pr. 2 "minimum frequency"

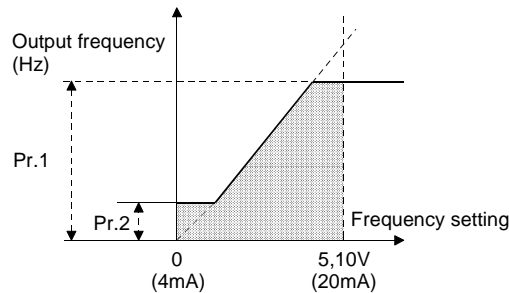
Related parameters

- Pr. 13 "starting frequency"
- Pr. 903 "frequency setting voltage gain"
- Pr. 905 "frequency setting current gain"

Used to clamp the upper and lower limits of the output frequency.

- Can be used to set the upper and lower limits of motor speed.

Parameter Number	Factory Setting		Setting Range		Remarks
	FR-B	FR-B3	FR-B	FR-B3	
1	60Hz (Note 2)	120Hz (Note 2)	0 to 120Hz/ 0 to 60Hz	0 to 120Hz	22K or less/ 30K or more
2	0Hz		0 to 120Hz/ 0 to 60Hz	0 to 120Hz	22K or less/ 30K or more



<Setting>

- Use Pr. 1 to set the upper limit of the output frequency. If the frequency of the frequency command entered is higher than the setting, the output frequency is clamped at the maximum frequency.
- Use Pr. 2 to set the lower limit of the output frequency.

Note: 1. Use the frequency setting analog signal for the inverter capacity of 22K or less, and change the Pr. 903 and Pr. 905 values for operation beyond 60Hz. If Pr. 1 is only changed, the motor cannot run beyond 60Hz.
2. Set Pr. 1 "maximum frequency" to within the permissible frequency of the motor.

! CAUTION

! When the Pr. 2 setting is higher than the Pr. 13 "starting frequency" value, note that the motor will run at the set frequency by merely switching the start signal on, without entering the command frequency.

4.2.2 Multi-speed operation (Pr. 4 to Pr. 6, Pr. 24 to Pr. 27, Pr. 232 to Pr. 239)

Pr. 4 "multi-speed setting (high speed)"

Pr. 5 "multi-speed setting (middle speed)"

Pr. 6 "multi-speed setting (low speed)"

Pr. 24 to Pr. 27 "multi-speed setting (speeds 4 to 7)"

Pr. 232 to Pr. 239 "multi-speed setting (speeds 8 to 15)"

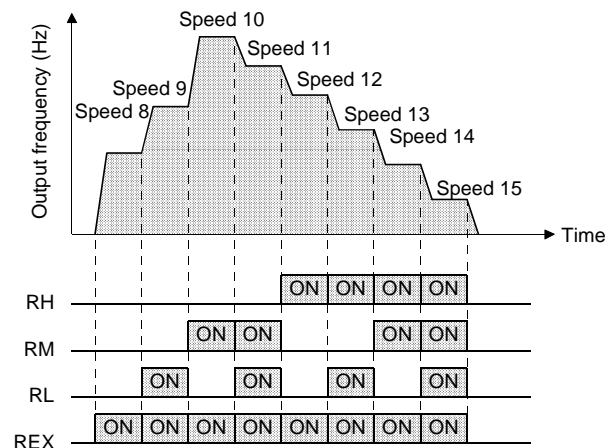
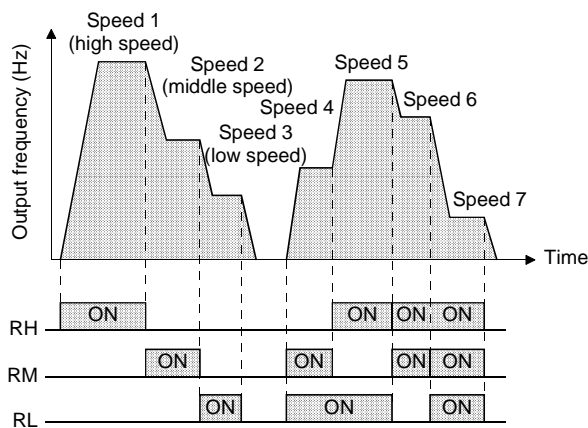
Related parameters

Pr. 1 "maximum frequency"
Pr. 2 "minimum frequency"
Pr. 15 "jog frequency"
Pr. 28 "multi-speed input compensation"
Pr. 79 "operation mode selection"
Pr. 180 to Pr. 186 (input terminal
function selection)

Used to preset the running speeds in parameters and switch between them using terminals.

- Any speed can be selected by switching on off the contact signal (RH, RM, RL or REX signal).
- By using these functions with jog frequency (Pr. 15), maximum frequency (Pr. 1) and minimum frequency (Pr. 2), up to 18 speeds can be set.
- Valid in the external operation mode or PU/external combined operation mode (Pr. 79 = 3 or 4).

Parameter Number	Factory Setting		Setting Range		Remarks
	FR-B	FR-B3	FR-B	FR-B3	
4	60Hz		0 to 120Hz /0 to 60Hz	0 to 400Hz	
5	30Hz		0 to 120Hz /0 to 60Hz	0 to 400Hz	
6	10Hz		0 to 120Hz /0 to 60Hz	0 to 400Hz	
24 to 27	9999		0 to 120Hz /0 to 60Hz, 9999	0 to 400Hz, 9999	9999: Not selected
232 to 239	9999		0 to 120Hz /0 to 60Hz, 9999	0 to 400Hz, 9999	9999: Not selected



<Setting>

- Set the running frequencies in the corresponding parameters.
Each speed (frequency) can be set as desired between 0 and 120Hz/0 and 60Hz during inverter operation. After the required multi-speed setting parameter has been read, pressing the [UP/DOWN] key can change the setting. (In this case, when you release the [UP/DOWN] key, press the [SET] key to store the set frequency. When using the FR-PU04 (option), press the [WRITE] key.)
- Use any of Pr. 180 to Pr. 186 to assign the terminal used to input the REX signal.

- Note:
1. The multi-speed settings override the main speeds (across terminals 2-5, 4-5).
 2. The multi-speeds can also be set in the PU or external operation mode.
 3. For 3-speed setting, if two or three speeds are simultaneously selected, priority is given to the frequency setting of the lower signal.
 4. Pr. 24 to Pr. 27 and Pr. 232 to Pr. 239 settings have no priority between them.
 5. The parameter values can be changed during operation.
 6. When terminal assignment is changed using Pr. 180 to Pr. 186, the other functions may be affected. Check the functions of the corresponding terminals before making setting.
 7. For the FR-B series, the setting range depends on the inverter capacity: (22K or less)/(30K or more).

4.2.3 Acceleration/deceleration time (Pr. 7, Pr. 8, Pr. 20, Pr. 21, Pr. 44, Pr. 45, Pr. 110, Pr. 111)

Pr. 7 "acceleration time"

Pr. 8 "deceleration time"

Pr. 20 "acceleration/deceleration reference frequency"

Pr. 21 "acceleration/deceleration time increments"

Pr. 44 "second acceleration/deceleration time"

Pr. 45 "second deceleration time"

Pr. 110 "third acceleration/deceleration time"

Pr. 111 "third deceleration time"

Related parameters

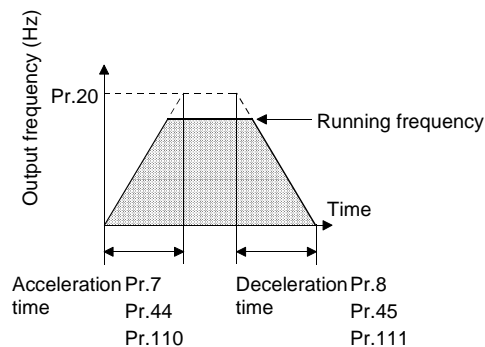
Pr. 29 "acceleration/deceleration pattern"

Pr. 180 to Pr. 186 (input terminal function selection)

Used to set motor acceleration/deceleration time.

Set a larger value for a slower speed increase/decrease or a smaller value for a faster speed increase/decrease.

Parameter Number	Factory Setting		Setting Range		Remarks
	FR-B	FR-B3	FR-B	FR-B3	
7	7.5K or less	5 s	0 to 3600 s/0 to 360 s		
	11K or more	15 s			
8	7.5K or less	5 s	0 to 3600 s/0 to 360 s		
	11K or more	15 s			
20	60Hz		1 to 120Hz/ 1 to 60Hz	1 to 400Hz	(22K or less)/(30K or more)
21	0		0, 1		0: 0 to 3600 s, 1: 0 to 360 s
44	7.5K or less	5 s	0 to 3600 s/0 to 360 s		
	11K or more				
45	7.5K or less	9999	0 to 3600 s/0 to 360 s, 9999		9999: Acceleration time = deceleration time
	11K or more				
110	7.5K or less	9999	0 to 3600 s/0 to 360 s, 9999		9999: Function invalid
	11K or more				
111	7.5K or less	9999	0 to 3600 s/0 to 360 s, 9999		9999: Acceleration time = deceleration time
	11K or more				



<Setting>

- Use Pr. 21 to set the acceleration/deceleration time and minimum setting increments:
Set value "0" (factory setting) 0 to 3600 seconds (minimum setting increments: 0.1 second)
Set value "1" 0 to 360 seconds (minimum setting increments: 0.01 second)
- Use Pr. 7, Pr. 44 and Pr. 110 to set the acceleration time required to reach the frequency set in Pr. 20 from 0Hz.
- Use Pr. 8, Pr. 45 and Pr. 111 to set the deceleration time required to reach 0Hz from the frequency set in Pr. 20.
- Pr. 44 and Pr. 45 are valid when the RT signal is on, and Pr. 110 and Pr. 111 are valid when the X9 signal is on. When both RT and X9 are on, Pr. 110 and Pr. 111 are valid.
- Use any of Pr. 180 to Pr. 186 to assign the terminal used to input the X9 signal.
- Set "9999" in Pr. 45 and Pr. 111 to make the deceleration time equal to the acceleration time (Pr. 44, Pr. 110).
- When "9999" is set in Pr. 110, the function is made invalid.

Note: 1. In S-shaped acceleration/deceleration pattern A (refer to page 75), the set time is a period required to reach the base frequency.

- Acceleration/deceleration time calculation expression when the set frequency is the base frequency or higher

$$t = \frac{4}{9} \times \frac{T}{(\text{Base frequency}(*))^2} \times f^2 + \frac{5}{9} T$$

T : Acceleration/deceleration time setting (seconds)

f : Set frequency (Hz) (*):60 for the FR-B series.

(*) 60Hz for the FR-B series. Set by offline auto tuning for the FR-B3 series.

- Base frequency: Guideline for acceleration/deceleration time at 60Hz (0Hz to set frequency)

Acceleration/ deceleration time (seconds)	Frequency setting (Hz)	
	60	120
5	5	12
15	15	35

2. If the Pr. 20 setting is changed, the settings of calibration functions Pr. 903 and Pr. 905 (frequency setting signal gains) remain unchanged. To adjust the gains, adjust calibration functions Pr. 903 and Pr. 905.
3. When the setting of Pr. 7, Pr. 8, Pr. 44, Pr. 45, Pr. 110 or Pr. 111 is "0", the acceleration/deceleration time is 0.04 seconds. At this time, set Pr. 20 to 120Hz or less.
4. If the shortest acceleration/deceleration time is set, the actual motor acceleration/deceleration time cannot be made shorter than the shortest acceleration/deceleration time determined by the mechanical system's GD² and motor torque.

4.2.4 Electronic overcurrent protection (Pr. 9)

Pr. 9 "electronic thermal O/L relay"

Related parameter
Pr. 71 "applied motor"

Set the current of the electronic overcurrent protection to protect the motor from overheat. This feature provides the optimum protective characteristics, including reduced motor cooling capability, at low speed.

Parameter Number	Factory Setting		Setting Range	
	FR-B	FR-B3	FR-B	FR-B3
9	Rated output current*		0 to 500A	

* The FR-B-750 and FR-B3-(N)(H)400, 750 are preset to 85% of the rated inverter current.

<Setting>

- Set the largest rated value of the rated output currents of the motor.
- Setting of "0" makes the electronic overcurrent protection (motor protective function) invalid. (The inverter's output transistor protective function is valid.)
- When using Mitsubishi's explosion-proof, constant-torque type motor, first set "1", "13" or "14" in Pr. 71 to select the 100% continuous torque characteristic in the low speed range. Then, set the rated motor current in Pr. 9.

4.2.5 DC dynamic brake (Pr.10, Pr. 11, Pr.12)

Pr. 10 "DC injection brake operation frequency"

Pr. 11 "DC injection brake operation time"

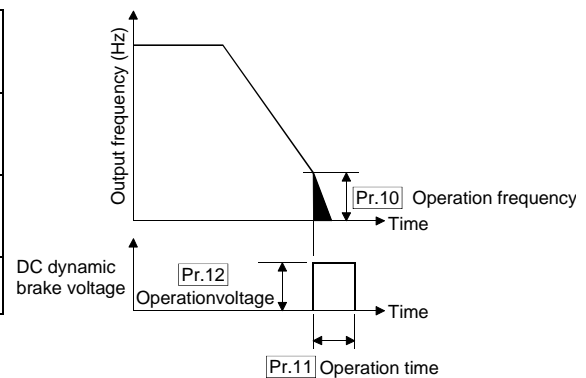
Pr. 12 "DC injection brake voltage"

Related parameters

Pr. 13 "starting frequency"
Pr. 71 "applied motor"

By setting the stopping DC dynamic brake voltage (torque), operation time and operation starting frequency, the stopping accuracy of positioning operation, etc. or the timing of operating the DC dynamic brake to stop the motor is adjusted according to the load.

Parameter Number	Factory Setting		Setting Range		Remarks
	FR-B	FR-B3	FR-B	FR-B3	
10	3Hz		—	0 to 120Hz, 9999	9999: Operated at or below Pr. 13 value.
11	0.5 s		0, 0.5s	0 to 10 s, 8888	8888: Operated when X13 signal switches on.
12	7.5K or less	4%	—	0 to 30%	
	11K or more	2%			



<Setting>

- Use Pr. 10 to set the frequency at which the DC dynamic brake application is started. By setting "9999" in Pr. 10, the motor is decelerated to the frequency set in Pr. 13 and braked.
- Use Pr. 11 to set the period during when the brake is operated. By setting "8888" in Pr. 11, the DC dynamic brake is operated while the X13 signal is on.
- Use any of Pr. 180 to Pr. 186 to assign the terminal used to input the X13 signal.
- Use Pr. 12 to set the percentage of the power supply voltage.
- When using the inverter dedicated motor (constant-torque motor), change the Pr. 12 setting as follows: 3.7K or less...4%, 5.5K or more...2%

In the FR-B3 series

Note: 1. When the Pr. 12 setting is either of the following values for 5.5K and 7.5K, it is automatically changed when the Pr. 71 setting is changed:

(1) When Pr. 12 setting is 4% (factory setting)

The Pr. 12 setting is changed to 2% automatically when the Pr. 71 setting is changed from [general-purpose motor selection value (3)] to [constant-torque motor selection value (13)].

(2) When Pr. 12 setting is 2%

The Pr. 12 setting is changed to 4% (factory setting) automatically when the Pr. 71 setting is changed from [constant-torque motor selection value (13)] to [general-purpose motor selection value (3)].

2. When Pr. 11 = "0" or Pr. 12 = 0, DC dynamic brake operation cannot be performed.

3. Do not change the setting of other than Pr. 10=3Hz, Pr. 11="0" or "8888" or Pr. 12=0.

In the FR-B series

4. Pr. 10 is preset to 3Hz.

5. Pr. 12 is preset to 6% for 7.5K or less or to 3% for 11K or more.

6. When Pr. 11 = 0, DC dynamic brake operation cannot be performed.

! CAUTION

- ! In the orientation mode, do not set "0" or "8888" in Pr. 11 and "0" in Pr. 12.
The motor may not be stopped in the correct position.
- When using orientation, the explosion-proof certification test is required separately.
- ! Install a mechanical brake. No holding torque is provided.

4.2.6 Starting frequency (Pr. 13)

Pr. 13 "starting frequency"

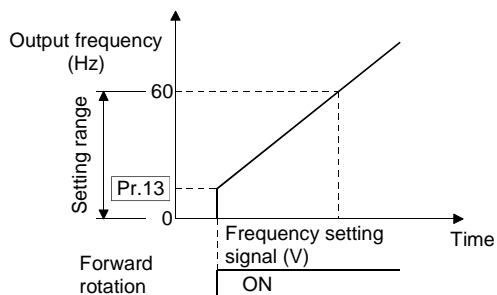
Related parameters
Pr. 2 "minimum frequency"

You can set the starting frequency between 0 and 60Hz.

- Set the starting frequency at which the start signal is switched on.

Parameter Number	Factory Setting		Setting Range	
	FR-B	FR-B3	FR-B	FR-B3
13	0.5Hz		0 to 60Hz	

<Setting>



Note: The inverter will not start if the frequency setting signal is less than the value set in Pr. 13 "starting frequency".
For example, when 5Hz is set in Pr. 13, the motor will start running when the frequency setting signal reaches 5Hz.

! CAUTION

- ! When the Pr. 13 setting is equal to or less than the Pr. 2 value, note that merely switching on the start signal will start the motor at the preset frequency if the command frequency is not input.

4.2.7 Jog operation (Pr. 15, Pr. 16)

Pr. 15 "jog frequency"

Pr. 16 "jog acceleration/deceleration time"

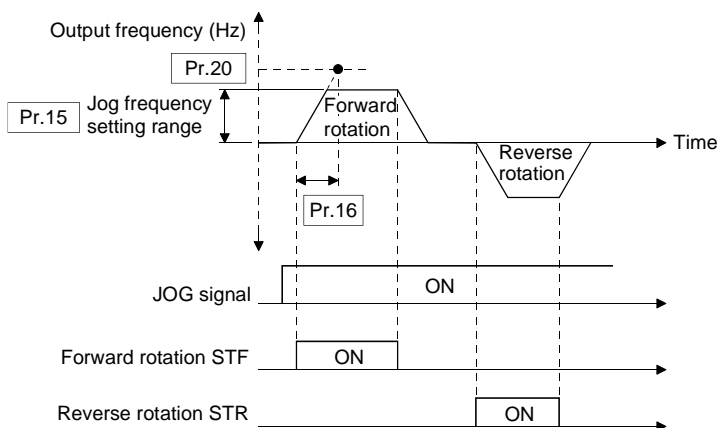
Related parameters

- Pr. 20 "acceleration/deceleration reference frequency"
- Pr. 21 "acceleration/deceleration time increments"
- Pr. 79 "operation mode selection"
- Pr. 180 to Pr. 186 (input terminal function selection)

In the external operation mode, jog operation can be started and stopped by the start signal (STF, STR) with the jog signal ON, after selection of the jog operation function using the input terminal function selection. In the PU operation mode, jog operation can also be performed using the PU (FR-DU04/FR-PU04).

- Set the frequency and acceleration/deceleration time for jog operation

Parameter Number	Factory Setting		Setting Range		Remarks
	FR-B	FR-B3	FR-B	FR-B3	
15	5Hz		0 to 120Hz/0 to 60Hz	0 to 400Hz	22K or less/30K or more
16	0.5 s		0 to 3600 s		When Pr. 21 = 0
			0 to 360 s		When Pr. 21 = 1



Note: 1. In S-shaped acceleration/deceleration pattern A, the set time is a period of time required to reach 60Hz.
 2. The acceleration time and deceleration time cannot be set separately for jog operation.
 3. The value set in Pr.15 "jog frequency" should be equal to or greater than the Pr.13 "starting frequency" setting.

4.2.8 MRS input selection (Pr. 17)

Pr. 17 "MRS input selection"

Used to select the logic of the MRS signal.

When the MRS signal switches on, the inverter shuts off the output.

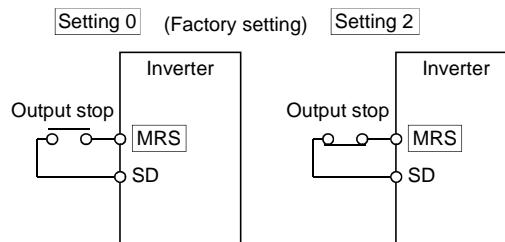
Parameter Number	Factory Setting		Setting Range	
	FR-B	FR-B3	FR-B	FR-B3
17	0		0, 2	

<Setting>

Pr. 17 Setting	Specifications of MRS Signal
0	Normally open input
2	Normally closed input (b contact input specifications)

<Wiring example>

- For sink logic



Pr. 20, Pr. 21 → Refer to Pr.15, Pr. 16.

4.2.9 Stall prevention (Pr. 22, Pr. 23, Pr. 66, Pr. 148, Pr. 149, Pr. 154)

Pr. 22 "stall prevention operation level"

Pr. 23 "stall prevention operation level compensation factor at double speed"

Pr. 66 "stall prevention operation level reduction starting frequency"

Pr. 148 "stall prevention operation level at 0V input"

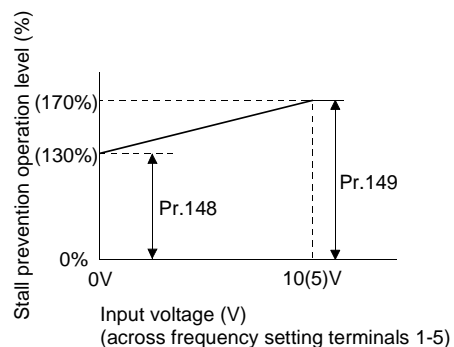
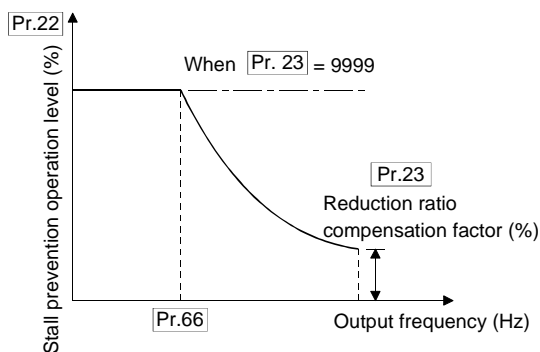
Pr. 149 "stall prevention operation level at 10V input"

Pr. 154 "voltage reduction selection during stall prevention operation"

- Related parameters
- Pr. 48 "second stall prevention operation current"
 - Pr. 49 "second stall prevention operation frequency"
 - Pr. 73 "0-5V/0-10V selection"
 - Pr. 114 "third stall prevention operation current"
 - Pr. 115 "third stall prevention operation frequency"
 - Pr. 156 "stall prevention operation selection"

- Set the output current level at which the output frequency will be adjusted to prevent the inverter from stopping due to overcurrent etc.
- For high-speed operation at or over the more base frequency, acceleration may not be made because the motor current does not increase. To improve the operation characteristics of the motor in such a case, the stall prevention level in the high-frequency range can be reduced. This is effective for operation of a centrifugal separator up to the high-speed range. Normally, set 60Hz in Pr. 66 and 100% in Pr. 23.
- For operation in the high-frequency range, the current in the locked motor state is smaller than the rated output current of the inverter and the inverter does not result in an alarm (protective function is not activated) if the motor is at a stop. To improve this and activate the alarm, the stall prevention level can be reduced.
- In order to provide torque during stall prevention, Pr. 154 is factory-set not to reduce the output voltage. The setting of reducing the output voltage further decreases the probability of overcurrent trip occurrence.
- Entering the analog signal into terminal 1 can vary the stall prevention operation level.

Parameter Number	Factory Setting		Setting Range		Remarks
	FR-B	FR-B3	FR-B	FR-B3	
22	150%		0 to 200%, 9999		9999: Analog variable
23	9999		0 to 200%, 9999		9999: Constant according to Pr. 22
66	60Hz		0 to 120Hz/0 to 60Hz	0 to 400Hz	22K or less/30K or more
148	150%		0 to 200%		(Bias)
149	200%		0 to 200%		(Gain)
154	1		0, 1		0: Output voltage reduced 1: Output voltage not reduced



<Setting>

- In Pr. 22, set the stall prevention operation level. Normally set it to 150% (factory setting). Set "0" in Pr. 22 to disable the stall prevention operation.
- To reduce the stall prevention operation level in the high-frequency range, set the reduction starting frequency in Pr. 66 and the reduction ratio compensation factor in Pr. 23.

Calculation expression for stall prevention operation level

$$\text{Stall prevention operation level (\%)} = A + B \times \left[\frac{\text{Pr.22-A}}{\text{Pr.22-B}} \right] \times \left[\frac{\text{Pr.23-100}}{100} \right]$$

$$\text{where, } A = \frac{\text{Pr.66 (Hz)} \times \text{Pr.22(\%)}}{\text{output frequency (Hz)}}, \quad B = \frac{\text{Pr.66 (Hz)} \times \text{Pr.22(\%)}}{f}$$

f: 120Hz/60Hz (22K or less/30K or more) for the FR-B series, 400Hz for the FR-B3 series

- By setting "9999" (factory setting) in Pr. 23, the stall prevention operation level is constant at the Pr. 22 setting.
- Set "9999" in Pr. 22 to vary the stall prevention operation level using the analog signal (0-5V/0-10V) entered to the frequency setting auxiliary input terminal [1]. (Use Pr. 73 to select between 10V and 5V.)
- Use Pr. 148 and Pr. 149 to adjust the gain and bias of the analog signal.
- Set "0" in Pr. 154 to reduce the output voltage during stall prevention operation.

Note: 1. When Pr. 22 = "9999", terminal 1 is exclusively used for setting the stall prevention operation level. The auxiliary input and override functions are not activated.

! CAUTION

- ! Do not set a too small value as the stall prevention operation current. Otherwise, torque generated will reduce.
- ! Test operation must be performed. Stall prevention operation during acceleration may increase the acceleration time.
Stall prevention operation during constant speed may change the speed suddenly.
Stall prevention operation during deceleration may increase the deceleration time, increasing the deceleration distance.

Pr. 24 to Pr. 27 → Refer to Pr. 4 to Pr. 6.

4.2.10 Multi-speed input compensation (Pr. 28)

Pr. 28 "multi-speed input compensation"

Related parameters

Pr. 59 "remote setting function selection"
Pr. 73 "0-5V/0-10V selection"

By entering a compensation signal into the frequency setting auxiliary input terminal 1 (Note 2), the speeds (frequencies) of multi-speed settings or the speed setting made by remote setting function can be compensated for.

Parameter Number	Factory Setting		Setting Range		Remarks
	FR-B	FR-B3	FR-B	FR-B3	
28	0		0, 1		0: Not compensated, 1: Compensated

Note: 1. Use Pr. 73 to select the compensation input voltage between 0 to ±5V and 0 to ±10V.
2. When any of "4, 5, 14 and 15" is set in Pr. 73, the compensation signal is entered into terminal 2. (Override functions)

4.2.11 Acceleration/deceleration pattern (Pr. 29, Pr. 140 to Pr. 143)

Pr. 29 "acceleration/deceleration pattern"

Pr. 140 "backlash acceleration stopping frequency"

Pr. 141 "backlash acceleration stopping time"

Pr. 142 "backlash deceleration stopping frequency"

Pr. 143 "backlash deceleration stopping time"

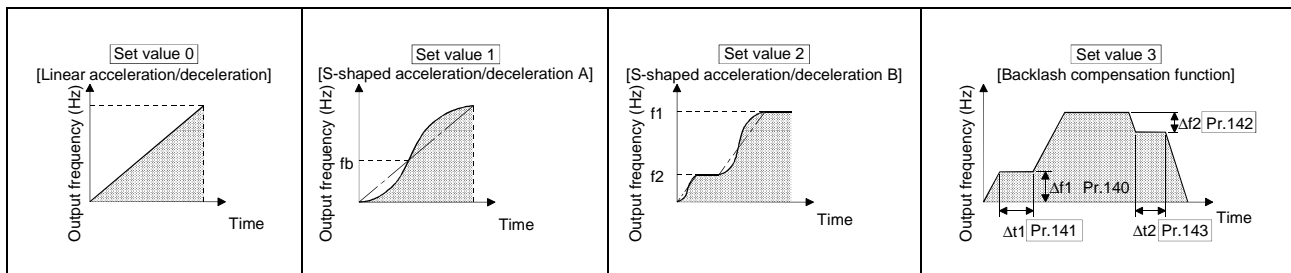
Related parameters

- Pr. 7 "acceleration time"
- Pr. 8 "deceleration time"
- Pr. 20 "acceleration/deceleration reference frequency"
- Pr. 44 "second acceleration/ deceleration time"
- Pr. 45 "second deceleration time"
- Pr. 110 "third acceleration/ deceleration time"
- Pr. 111 "third deceleration time"

Set the acceleration/deceleration pattern.

Also, you can suspend acceleration/deceleration at set frequencies and for the time period set in the parameters.

Parameter Number	Factory Setting		Setting Range		Remarks
	FR-B	FR-B3	FR-B	FR-B3	
29	0		0, 1, 2, 3		3: Backlash compensation
140	1.00Hz		0 to 120Hz/0 to 60Hz	0 to 400Hz	Valid when Pr. 29 = 3. 22K or less/30K or more
141	0.5 s		0 to 360 s		Valid when Pr. 29 = 3.
142	1.00Hz		0 to 120Hz/0 to 60Hz	0 to 400Hz	Valid when Pr. 29 = 3. 22K or less/30K or more
143	0 s		0 to 360 s		Valid when Pr. 29 = 3.



<Setting>

Pr. 29 Setting	Function	Description
0	Linear acceleration/ deceleration	Linear acceleration/deceleration is made up/down to the preset frequency (factory setting).
1	S-shaped acceleration/ deceleration A (Note 1)	For machine tool spindles This setting is used when it is necessary to make acceleration/deceleration in a short time up to the high-speed range of f_b (60Hz for FR-B, base frequency for FR-B3) or higher. In this acceleration/deceleration pattern, f_b (60Hz for FR-B, base frequency for FR-B3) is always the inflection point of an S shape, and you can set the acceleration/deceleration time according to the reduction in motor torque in the 60Hz or higher constant-output operation range.
2	S-shaped acceleration/ deceleration B	Prevention of cargo collapse on conveyor, etc. This setting provides S-shaped acceleration/deceleration from f_2 (current frequency) to f_1 (target frequency), easing an acceleration/deceleration shock. This pattern has an effect on the prevention of cargo collapse, etc.
3	Backlash compensation (Note 2, 3)	Backlash compensation for reduction gear, etc. This function stops the speed change temporarily during acceleration/deceleration, reducing a shock generated when a reduction gear backlash is eliminated suddenly. Use Pr. 140 to Pr. 143 to set the stopping times and stopping frequencies in accordance with the above diagrams.

Note: 1. For the acceleration/deceleration time, set the time required to reach the "base frequency" in Pr. 3, not the "acceleration/deceleration reference frequency" in Pr. 20. For details, refer to the explanations of Pr. 7 and Pr. 8.
 2. Pr. 140 to Pr. 143 is accessible when "3" is set in Pr. 29.
 3. The acceleration/deceleration time is increased by the stopping time.

*Set by offline auto tuning for the FR-B3 series.

4.2.12 Regenerative function selection (Pr. 30, Pr. 70)

Pr. 30 "regenerative function selection"

Pr. 70 "special regenerative brake duty"

Related parameters

- Pr. 180 "RL terminal function selection"
- Pr. 181 "RM terminal function selection"
- Pr. 182 "RH terminal function selection"
- Pr. 183 "RT terminal function selection"
- Pr. 184 "AU terminal function selection"
- Pr. 185 "JOG terminal function selection"
- Pr. 186 "CS terminal function selection"

- When making frequent starts/stops with a 7.5K or less inverter, use the optional "high-duty brake resistor" (FR-ABR) to increase the regenerative brake duty.
- Use the optional "high power factor converter (FR-HC)" to reduce harmonics, improve the power factor, or continue the regenerative mode.

Parameter Number	Factory Setting		Setting Range		Remarks
	FR-B	FR-B3	FR-B	FR-B3	
30	—	0	—	0 to 2	
70	—	0%	—	0 to 15%	0.4K to 1.5K
			—	0 to 30%	2.2K to 7.5K
			—	0%	11K or more

<Setting>

(1) When using the built-in brake resistor, brake unit, power return converter

When using the brake unit or power return converter, the explosion-proof certification test is required separately.

- Set "0" in Pr. 30.

The Pr. 70 setting is made invalid.

At this time, the regenerative brake duty is as follows:

- *FR-B3-400 to 3700, FR-B-750 to 37003%
- *FR-B3-5.5K to 7.5K, FR-B-5.5K, 7.5K2%
- *FR-B3-400 to 7.5K, FR-B-750 to 7.5K2%

(2) When using the high-duty brake resistor (FR-ABR)

When using the high-duty brake resistor (FR-ABR), the explosion-proof certification test is required separately.

- Set "1" in Pr. 30.
- Set "10%" in Pr. 70.

(3) When using the high power factor converter (FR-HC)

When using the high power factor converter (FR-HC), the explosion-proof certification test is required separately, except when using the high power factor converter for power factor improvement.

- 1) Set "2" in Pr. 30.
- 2) Use any of Pr. 180 to Pr. 186 to assign the following signals to the contact input terminals.
 - X10: FR-HC connection (inverter operation enable signal) (Note 3)
To make protective coordination with the high power factor converter (FR-HC), use the inverter operation enable signal to shut off the inverter output. Enter the RDY signal of the high power factor converter.
 - X11: FR-HC connection (instantaneous power failure detection signal)
When the computer link inboard option (FR-A5NR) is used and the setting is made to hold the pre-instantaneous power failure mode, use this signal to hold that mode. Enter the instantaneous power failure detection signal of the high power factor converter.
- 3) The Pr. 70 setting is made invalid.
 - * Set "10" and "11" in any of Pr. 180 to Pr. 186 to allocate the terminals used to input the X10 and X11 signals.

- Note:
1. Cannot be set for the FR-B.
 2. The Pr. 70 setting is invalid for the FR-B3 inverter of 11K or more.
 3. Pr. 70 "regenerative brake duty" indicates the %ED of the built-in brake transistor operation. Its setting should not be higher than the setting of the brake resistor used. Otherwise, the brake resistor can overheat.
 4. The X10 signal may be replaced by the MRS signal.
 5. When terminal assignment is changed using Pr. 180 to Pr. 186, the other functions may be affected. Check the functions of the corresponding terminals before making setting.
 6. When the high power factor converter is used (Pr. 30=2), the deceleration-to-stop functions at power failure (Pr. 261 to Pr. 266) are invalid.

 **WARNING**


The Pr. 70 setting must not exceed the setting of the brake resistor used. Otherwise, the brake resistor can overheat.

4.2.13 Frequency jump (Pr. 31 to Pr. 36)

Pr. 31 "frequency jump 1A"

Pr. 32 "frequency jump 1B"

Pr. 33 "frequency jump 2A"

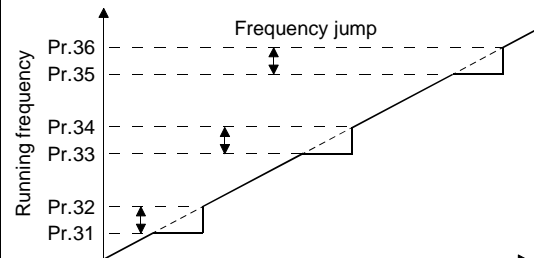
Pr. 34 "frequency jump 2B"

Pr. 35 "frequency jump 3A"

Pr. 36 "frequency jump 3B"

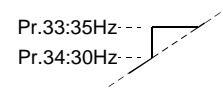
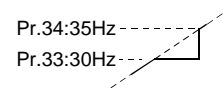
- When it is desired to avoid resonance attributable to the natural frequency of a mechanical system, these parameters allow resonant frequencies to be jumped. Up to three areas may be set, with the jump frequencies set to either the top or bottom point of each area.
- The value set to 1A, 2A or 3A is a jump point and operation is performed at this frequency.

Parameter Number	Factory Setting		Setting Range		Remarks
	FR-B	FR-B3	FR-B	FR-B3	
31	9999		0 to 120Hz/ 0 to 60Hz, 9999	0 to 400Hz, 9999	22K or less/30K or more, 9999: Function invalid
32	9999		0 to 120Hz/ 0 to 60Hz, 9999	0 to 400Hz, 9999	22K or less/30K or more, 9999: Function invalid
33	9999		0 to 120Hz/ 0 to 60Hz, 9999	0 to 400Hz, 9999	22K or less/30K or more, 9999: Function invalid
34	9999		0 to 120Hz/ 0 to 60Hz, 9999	0 to 400Hz, 9999	22K or less/30K or more, 9999: Function invalid
35	9999		0 to 120Hz/ 0 to 60Hz, 9999	0 to 400Hz, 9999	22K or less/30K or more, 9999: Function invalid
36	9999		0 to 120Hz/ 0 to 60Hz, 9999	0 to 400Hz, 9999	22K or less/30K or more, 9999: Function invalid



<Setting>

- To fix the frequency at 30Hz between Pr. 33 and Pr. 34 (30Hz and 35Hz), set 35Hz in Pr. 34 and 30Hz in Pr. 33.
- To jump to 35Hz between 30 and 35Hz, set 35Hz in Pr. 33 and 30Hz in Pr. 34.



Note: During acceleration/deceleration, the running frequency within the set area is valid.

4.2.14 Speed display (Pr. 37, Pr. 144)

Pr. 37 "speed display"

Pr. 144 "speed setting switch-over"

Related parameters

Pr. 52 "DU/PU main display data selection"

Pr. 53 "PU level display data selection"

Pr. 80 "motor capacity"

Pr. 81 "number of motor poles"

The units of the running speed monitor display of the PU (FR-DU04/FR-PU04), the running speed setting in the PU operation mode, and the parameter setting used for frequency setting can be changed from the frequency to the motor speed or machine speed.

Parameter Number	Factory Setting		Setting Range		Remarks
	FR-B	FR-B3	FR-B	FR-B3	
37	0		0, 1 to 9998		0: Frequency setting added
144		4	0, 2, 4, 6, 8, 10, 102, 104, 106, 108, 110		


<Setting>

- To display the machine speed, set in Pr. 37 the machine speed for 60Hz operation.
- To display the motor speed, set the number of motor poles (2, 4, 6, 8, 10) or the number of motor poles plus 100 (102, 104, 106, 108, 110) in Pr. 144.
- When values have been set in both Pr. 37 and Pr. 144, priority is as follows:
Pr. 144 = 102 to 110 > Pr. 37 = 1 to 9998 > Pr. 144 = 2 to 10
Hence, the half-tone screened settings in the following list become valid.
- When the running speed monitoring has been selected, the parameter setting unit and the running speed setting unit in the PU operation mode depend on the combination of the Pr. 37 and Pr. 144 settings as indicated below:

Running Speed Monitor Display	Parameter Setting Unit Running Speed Setting Unit	Pr. 37 Setting	Pr. 144 Setting
Speed of 4-pole motor (r/min)		0	0
Motor speed (r/min)	Hz	0	2 to 10
		1 to 9998	102 to 110
	r/min	0	102 to 110
Machine speed	Hz	1 to 9998	0
	r/min	1 to 9998	2 to 10

- Note:
1. In the FR-B series, the motor speed is converted from the output frequency and does not match the actual speed. Since the FR-B3 series is run under advanced magnetic flux vector control, this indication is the actual rotary shaft speed (value estimated by motor slip arithmetic).
 2. During PLG feedback control, the speed displayed is the actual speed from the PLG. Note that when PLG feedback control is exercised, the explosion-proof certification test is required separately.
 3. When the running speed display has been selected with "0" set in Pr. 37 and "0" in Pr. 144, the monitor display shows the speed reference for a 4-pole motor (1800r/min is displayed at 60Hz).
 4. To change the PU main monitor (PU main display) or PU level meter (PU level display), refer to Pr. 52 and Pr. 53.
 5. As the operation panel display is 4 digits, "----" is displayed when the monitored value exceeds "9999".

CAUTION

-  **Make sure that the running speed and number of poles set are correct. Otherwise, the motor might run at extremely high speed, damaging the machine.**

4.2.15 Up-to-frequency sensitivity (Pr. 41)

Pr. 41 "up-to-frequency sensitivity"

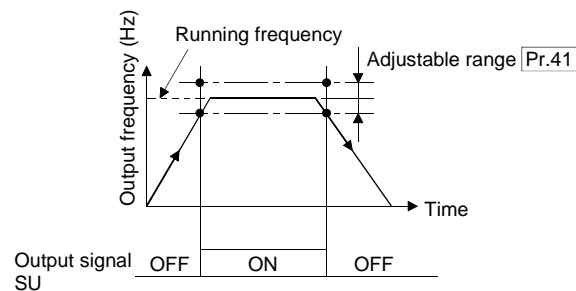
Related parameters

- Pr. 190 "RUN terminal function selection"
- Pr. 191 "SU terminal function selection"
- Pr. 192 "IPF terminal function selection"
- Pr. 193 "OL terminal function selection"
- Pr. 194 "FU terminal function selection"
- Pr. 195 "A, B, C terminal function selection"

The ON range of the up-to-frequency signal (SU) output when the output frequency reaches the running frequency can be adjusted between 0 and $\pm 100\%$ of the running frequency.

This parameter can be used to ensure that the running frequency has been reached or used as the operation start signal etc. for related equipment.

Parameter Number	Factory Setting		Setting Range	
	FR-B	FR-B3	FR-B	FR-B3
41	10%		0 to 100%	



4.2.16 Output frequency detection (Pr. 42, Pr. 43, Pr. 50, Pr. 116)

Pr. 42 "output frequency detection"

Pr. 43 "output frequency detection for reverse rotation"

Pr. 50 "second output frequency detection"

Pr. 116 "third output frequency detection"

The output frequency signal (FU, FU2, FU3) is output when the output frequency reaches or exceeds the setting. This function can be used for electromagnetic brake operation, open signal, etc.

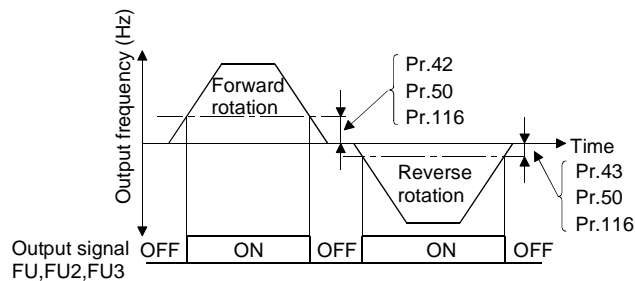
- You can also set the detection of the frequency used exclusively for reverse rotation. This function is effective for switching the timing of electromagnetic brake operation between forward rotation (rise) and reverse rotation (fall) during vertical lift operation, etc.

Parameter Number	Factory Setting		Setting Range		Remarks
	FR-B	FR-B3	FR-B	FR-B3	
42	6Hz		0 to 120Hz/0 to 60Hz	0 to 400Hz	22K or less/30K or more
43	9999		0 to 120Hz/0 to 60Hz, 9999	0 to 400Hz, 9999	22K or less/30K or more 9999: Same as Pr. 42 setting
50	30Hz		0 to 120Hz/0 to 60Hz	0 to 400Hz	22K or less/30K or more
116	9999		0 to 120Hz/0 to 60Hz, 9999	0 to 400Hz, 9999	22K or less/30K or more 9999: Function invalid

<Setting>

Refer to the figure below and set the corresponding parameters:

- When Pr. 43 ≠ 9999, the Pr. 42 setting applies to forward rotation and the Pr. 43 setting applies to reverse rotation.



Output Signal

Parameter Number	Output Signal
42	FU
43	
50	FU2
116	FU3

Use Pr. 190 to Pr. 195 to assign the terminals used to output the FU2 and FU3 signals.

Note: 1. Use the RUN (running) signal to exercise PLG feedback control with the plug-in dedicated option unit.
(If you use the FU, FU2 or FU3 signal, the brake may not be released.)
Note that when using PLG feedback control, the explosion-proof certification test is required separately.

2. When terminal assignment is changed using Pr. 190 to Pr. 195, the other functions may be affected. Check the functions of the corresponding terminals before making setting.

Pr. 44, Pr. 45 → Refer to Pr. 7.

4.2.17 Second/third stall prevention (Pr. 48, Pr. 49, Pr. 114, Pr. 115)

Pr. 48 "second stall prevention operation current"

Pr. 49 "second stall prevention operation frequency"

Pr. 114 "third stall prevention operation current"

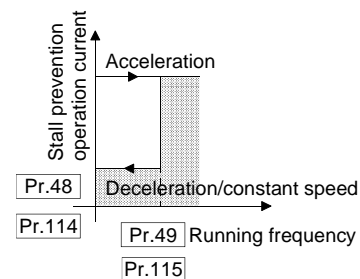
Pr. 115 "third stall prevention operation frequency"

Related parameters

- Pr. 22 "stall prevention operation level"
- Pr. 23 "stall prevention operation level compensation factor at double speed"
- Pr. 66 "stall prevention operation level reduction starting frequency"
- Pr. 154 "voltage reduction selection during stall prevention operation"
- Pr. 180 to Pr. 186 (input terminal function selection)

- The stall prevention operation level can be changed within the range from 0Hz to the frequency set in Pr. 49 or Pr. 115.
- The stall prevention operation level can be changed by switching the external input signal on-off.

Parameter Number	Factory Setting		Setting Range		Remarks
	FR-B	FR-B3	FR-B	FR-B3	
48	150%		0 to 200%		
49	0		0 to 120Hz/ 0 to 60Hz, 9999	0 to 400Hz, 9999	22K or less/ 30K or more
114	150%		0 to 200%		
115	0		0 to 120Hz/ 0 to 60Hz	0 to 400Hz	22K or less/ 30K or more



<Setting>

- Set the stall prevention operation level in Pr. 48 and Pr. 114.
- Refer to the following list to set values in Pr. 49 and Pr. 115.
- Pr. 114 and Pr. 115 are made valid by switching on the X9 signal. Set "9" in any of Pr. 180 to Pr. 186 to allocate the terminal used to input the X9 signal.

Pr. 49 Setting	Pr. 115 Setting	Operation
0		Second (third) stall prevention function is not activated.
0.01Hz to 120Hz/ 0.01Hz to 60Hz, 0.01 to 400Hz		Second (third) stall prevention function is activated according to the frequency. (FR-B series 22K or less/30K or more, FR-B3 series)
9999	Cannot be set.	Second stall prevention function is activated according to the RT signal. RT signal ON..... Stall level Pr. 48 RT signal OFF..... Stall level Pr. 22

Note: 1. When Pr. 49 = "9999", setting "0" in Pr. 48 disables the stall prevention function when the RT signal switches on. When Pr. 49 ≠ "9999" and Pr. 48 = "0", the stall prevention operation level is 0% when the frequency is equal to or less than the value set in Pr. 49.

2. When the stall prevention operation level signal input function is selected (Pr. 22 = 9999), setting "9999" in Pr. 49 changes the stall prevention operation level from the value of the stall prevention operation level signal (terminal 1 input) to the value set in Pr. 48 when the RT signal switches on.

3. When both the RT and X9 signals are on, the third stall prevention function is selected.

4. When the RT (X9) signal is on, the second (third) functions such as second (third) acceleration/deceleration time are also selected.

5. When terminal assignment is changed using Pr. 180 to Pr. 186, the other functions may be affected. Check the functions of the corresponding terminals before making setting.

! CAUTION

! Do not set a too small value to the second (third) stall prevention operation current. Otherwise, torque generated will decrease.

Pr. 50 → Refer to Pr. 42.

4.2.18 Monitor display/FM, AM terminal function selection (Pr. 52 to Pr. 54, Pr. 158)

Pr. 52 "DU/PU main display data selection"

Pr. 53 "PU level display data selection"

Pr. 54 "FM terminal function selection"

Pr. 158 "AM terminal function selection"

Related parameters

Pr. 37 "speed display"
Pr. 55 "frequency monitoring reference"
Pr. 56 "current monitoring reference"
Pr. 170 "watt-hour meter clear"
Pr. 171 "actual operation hour meter clear"
Pr. 900 "FM terminal calibration"
Pr. 901 "AM terminal calibration"

You can select the signals shown on the operation panel (FR-DU04)/parameter unit (FR-PU04) main display screen and on the parameter unit (FR-PU04) level meter and signals output to the FM and AM terminals.

- There are two different signal outputs: FM pulse train output terminal and AM analog output terminal. Select the signals using Pr. 54 and Pr. 158.

Parameter Number	Factory Setting		Setting Range	
	FR-B	FR-B3	FR-B	FR-B3
52	0		0, 5, 6, 8, 10 to 14, 17 to 20, 22 to 25, 100	0 to 20, 22 to 25, 100
53	1		0 to 3, 5, 6, 8, 10 to 14, 17, 18, 21	0 to 3, 5 to 14, 17, 18
54	1		1 to 3, 5, 6, 8, 10 to 14, 17, 18, 21	1 to 3, 5 to 14, 17, 18, 21
158	1		1 to 3, 5, 6, 8, 10 to 14, 17, 18, 21	1 to 3, 5 to 14, 17, 18, 21

<Setting>

Set Pr. 52 to Pr. 54 and Pr. 158 in accordance with the following table:

Signal Type	Display Unit	Parameter Setting					Full-Scale Value of FM, AM, Level Meter
		Pr.52		Pr.53	Pr.54	Pr.158	
		DU LED	PU main monitor	PU level meter	FM terminal	AM terminal	
No display	—	×	×	0	×	×	—
Output frequency	Hz	0/100	0/100	1	1	1	Pr. 55
Output current	A	0/100	0/100	2	2	2	Pr. 56
Output voltage	V	0/100	0/100	3	3	3	400V or 800V
Alarm display	—	0/100	0/100	×	×	×	—
Frequency setting	Hz	5	*	5	5	5	Pr. 55
Running speed	r/min	6	*	6	6	6	Pr. 55 value converted into Pr. 37 value
Motor torque	%	7	*	7	7	7	Rated torque of applied motor given in specifications × 2
Converter output voltage	V	8	*	8	8	8	400V or 800V
Regenerative brake duty	%	9	*	9	9	9	Pr.70
Electronic overcurrent protection load factor	%	10	*	10	10	10	Protection operation level
Output current peak value	A	11	*	11	11	11	Pr. 56
Converter output voltage peak value	V	12	*	12	12	12	400V or 800V
Input power	kW	13	*	13	13	13	Rated power of inverter rating × 2
Output power	kW	14	*	14	14	14	Rated power of inverter rating × 2
Input terminal status	—	×	*	×	×	×	—
Output terminal status	—	×	*	×	×	×	—
Load meter **	%	17	17	17	17	17	Pr. 56
Motor exciting current	A	18	18	18	18	18	Pr. 56
Position pulse	—	19	19	×	×	×	—
Cumulative operation time	h	20	20	×	×	×	—
Reference voltage output	—	×	×	×	21	21	1440Hz is output to FM terminal. Full-scale voltage is output to AM terminal.
Orientation status	—	22	22	×	×	×	—
Actual operation time	h	23	23	×	×	×	—
Motor load factor	%	24	24	×	×	×	Rated inverter current × 2
Cumulative power	kW	25	25	×	×	×	—

When 100 is set in Pr. 52, the monitored values during stop and during operation differ as indicated below:
(The LED on the left of Hz flickers during a stop and is lit during running.)

	Pr. 52		
	0	100	
	During operation/during stop	During stop	During operation
Output frequency	Output frequency	Set frequency	Output frequency
Output current	Output current		
Output voltage	Output voltage		
Alarm display	Alarm display		

- Note: 1. During an error, the output frequency at error occurrence is displayed.
2. During MRS, the values are the same as during a stop.

For the FR-B3 series, monitoring of the tuning status has priority because of offline auto tuning.

● In the FR-B3 series

- Note:
1. The monitoring of items marked × cannot be selected.
 2. By setting "0" in Pr. 52, the monitoring of "output frequency to alarm display" can be selected in sequence by the SHIFT key.
 3. **"Frequency setting to output terminal status" on the PU main monitor are selected by "other monitor selection" of the parameter unit (FR-PU04).
 4. **The load meter is displayed in %, with the current set in Pr. 56 regarded as 100%.
 5. The actual operation time displayed by setting "23" in Pr. 52 is calculated using the inverter operation time. (Inverter stop time is not included.) Set "0" in Pr. 171 to clear it.
 6. When Pr. 53 = "0", the level meter display of the parameter unit can be erased.
 7. By setting "1, 2, 5, 6, 11, 17 or 18" in Pr. 53, the full-scale value can be set in Pr. 55 or Pr. 56.
 8. The cumulative operation time and actual operation time are calculated from 0 to 65535 hours, then cleared, and recalculated from 0.
When the operation panel (FR-DU04) is used, the display shows "----" after 9999 or more hours have elapsed.
Whether 9999 or more hours have elapsed or not can be confirmed on the parameter unit (FR-PU04).
 9. The actual operation time is not calculated unless the inverter has operated for longer than one hour continuously.
 10. When the operation panel (FR-DU04) is used, the display unit is Hz, V or A only.
 11. The orientation status functions when the FR-A5AP option is used. If the option is not used, "22" may be set in Pr. 52 and the value displayed remains "0" and the function is invalid.
When using orientation, the explosion-proof certification test is required separately.

● In the FR-B series

- Note:
1. The monitoring of items marked × cannot be selected.
 2. By setting "0" in Pr. 52, the monitoring of "output frequency to alarm display" can be selected in sequence by the SHIFT key.
 3. **"Frequency setting to output terminal status" on the PU main monitor are selected by "other monitor selection" of the parameter unit (FR-PU04).
 4. **The load meter is displayed in %, with the current set in Pr. 56 regarded as 100%.
 5. The motor torque and regenerative brake duty cannot be set.
 6. The actual operation time displayed by setting "23" in Pr. 52 is calculated using the inverter operation time. (Inverter stop time is not included.) Set "0" in Pr. 171 to clear it.
 7. When Pr. 53 = "0", the level meter display of the parameter unit can be erased.
 8. By setting "1, 2, 5, 6, 11, 17 or 18" in Pr. 53, the full-scale value can be set in Pr. 55 or Pr. 56.
 9. The cumulative operation time and actual operation time are calculated from 0 to 65535 hours, then cleared, and recalculated from 0.
When the operation panel (FR-DU04) is used, the display shows "----" after 9999 or more hours have elapsed.
Whether 9999 or more hours have elapsed or not can be confirmed on the parameter unit (FR-PU04).
 10. The actual operation time is not calculated unless the inverter has operated for longer than one hour continuously.
 11. When the operation panel (FR-DU04) is used, the display unit is Hz, V or A only.
 12. The orientation status functions when the FR-A5AP option is used. If the option is not used, "22" may be set in Pr. 52 and the value displayed remains "0" and the function is invalid.
When using orientation, the explosion-proof certification test is required separately.

4.2.19 Monitoring reference (Pr. 55, Pr. 56)

Pr. 55 "frequency monitoring reference"

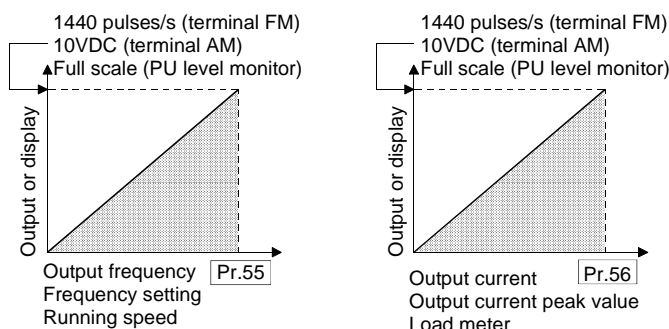
Pr. 56 "current monitoring reference"

Related parameters

- Pr. 37 "speed display"
- Pr. 53 "PU level display data selection"
- Pr. 54 "FM terminal function selection"
- Pr. 158 "AM terminal function selection"
- Pr. 900 "FM terminal calibration"
- Pr. 901 "AM terminal calibration"

Set the frequency or current which is referenced for display when the frequency or current is selected for the FM and AM terminals and PU level meter display.

Parameter Number	Factory Setting		Setting Range		Remarks
	FR-B	FR-B3	FR-B	FR-B3	
55	60Hz		0 to 120Hz/ 0 to 60Hz	0 to 400Hz	22K or less/30K or more
56	Rated output current		0 to 500A		



<Setting>

Referring to the above figures and following table, set Pr. 55 and Pr. 56:

Monitoring Reference Setting Parameter	Monitored Data Selection	PU Level Display Selection Pr. 53 Setting	FM Terminal Function Selection Pr. 54 Setting	AM Terminal Function Selection Pr. 158 Setting
Frequency monitoring reference Pr. 55	Output frequency (Hz)	1	1	1
	Frequency setting (Hz)	5	5	5
	Running speed (Pr. 37)	6	6	6
Current monitoring reference Pr. 56	Output current (A)	2	2	2
	Output current peak value (A)	11	11	11
	Load meter (A)	17	17	17
	Motor exciting current (A)	18	18	18
Setting using Pr. 55, Pr. 56		Set to make the PU level meter indication to be in full-scale.	Set to make the terminal FM pulse train output to be 1440 pulses/s.	Set to make the terminal AM output voltage to be 10V.

- Note: 1. The maximum pulse train output of terminal FM is 2400 pulses/s. If Pr. 55 is not adjusted, the output of terminal FM will be filled to capacity. Therefore, adjust Pr. 55.
 2. The maximum output voltage of terminal AM is 10VDC.

4.2.20 Automatic restart after instantaneous power failure (Pr. 57, Pr. 58, Pr. 162 to Pr. 165)

Pr. 57 "restart coasting time"

Pr. 58 "restart cushion time"

Pr.162 "Automatic restart after instantaneous power failure selection"

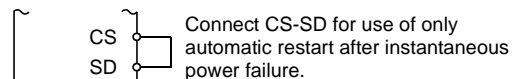
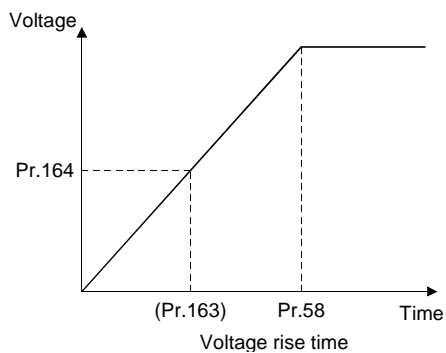
Pr.163 "First cushion time for restart"

Pr.164 "First cushion voltage for restart"

Pr.165 "Restart stall prevention operation level"

- You can restart the inverter without stopping the motor (with the motor coasting) when the commercial power supply is switched to the inverter operation or when the power is restored after an instantaneous power failure. (When automatic restart operation is set to be enabled, UVT and IPF among the alarm output signals will not be output at occurrence of an instantaneous power failure.)

Parameter Number	Factory Setting		Setting Range		Remarks
	FR-B	FR-B3	FR-B	FR-B3	
57	9999		0, 0.1 to 5 s, 9999		9999: No restart
58	1.0 s		0 to 60 s		
162	0		0, 1		0: Frequency search 1: No frequency search
163	0 s		0 to 20 s		
164	0%		0 to 100%		
165	150%		0 to 200%		




<Setting>

Refer to the figures in the previous page and following table, and set the parameters:

Parameter Number	Setting		Description	
	FR-B	FR-B3		
162	0		Frequency search made Frequency search is made after detection of an instantaneous power failure.	
	1		No frequency search Independently of the motor coasting speed, the output voltage is gradually increased with the frequency kept as preset.	
57	0	0.75K to 1.5K	0.4K to 1.5K	0.5 s coasting time 1.0 s coasting time 3.0 s coasting time Generally use this setting.
		2.2K to 7.5K		
		11K or more		
	0.1 to 5 s		Waiting time for inverter-triggered restart after power is restored from an instantaneous power failure. (Set this time between 0.1 s and 5 s according to the inertia moment (J) and torque of the load.)	
	9999		No restart	
58	0 to 60 s		Normally the motor may be run with the factory settings. These values are adjustable to the load (inertia moment, torque).	
163	0 to 20 s			
164	0 to 100%			
165	0 to 200%			

- Note:
- When restart operation is selected, UVT and IPF among the alarm output signals are not output at occurrence of an instantaneous power failure.
 - When combining the FR-B-750 with a 0.2kW motor, use it with no frequency search.
 - When Pr. 57 ≠ 9999, the inverter will not run if the CS signal remain off.
 - When Pr. 162 = "0", the DC dynamic brake is operated instantly on detection of restarting speed. Therefore, if the inertia moment (J) of the load is small, the speed may reduce.
 - When Pr. 162 = "1", the output frequency before an instantaneous power failure is stored and output at the time of restart. If the power of the inverter control circuit is lost, the frequency before an instantaneous power failure cannot be stored and the inverter will start at 0Hz.
 - The SU and FU signals are not output during restart but are output after the restart cushion time has elapsed.
 - For commercial power supply-inverter switch-over, the safety certification test has not been made. When using this function, the explosion-proof certification test is required separately.

 **CAUTION**

 **When automatic restart after instantaneous power failure has been selected, the motor and machine will start suddenly (after the reset time has elapsed) after occurrence of an instantaneous power failure. Stay away from the motor and machine. When you have selected automatic restart after instantaneous power failure, apply the supplied CAUTION seals in easily visible places.**

4.2.21 Remote setting function selection (Pr. 59)

Pr. 59 "remote setting function selection"

Related parameters

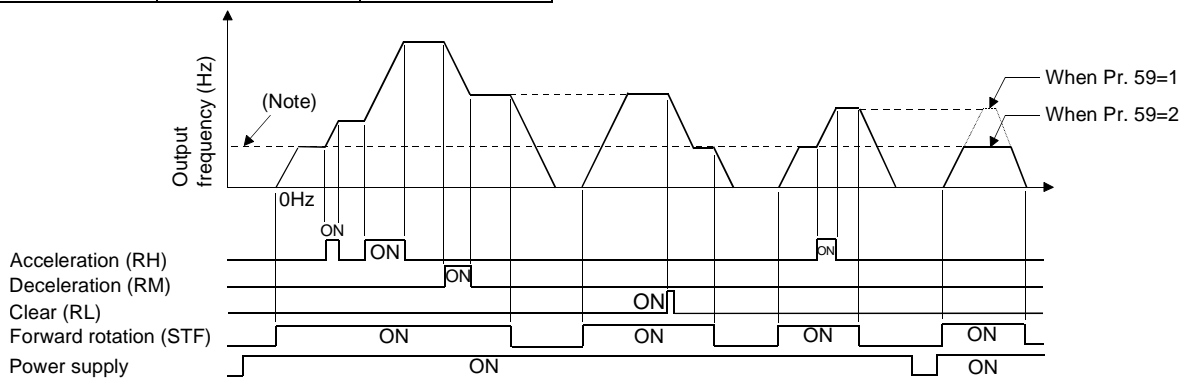
- Pr. 1 "maximum frequency"
- Pr. 7 "acceleration time"
- Pr. 8 "deceleration time"
- Pr. 28 "multi-speed input compensation"
- Pr. 44 "second acceleration/deceleration time"
- Pr. 45 "second deceleration time"

If the operator panel is located away from the control box, you can use contact signals to perform continuous variable-speed operation, without using analog signals.

- By merely setting this parameter, you can use the acceleration, deceleration and setting clear functions of the motorized speed setter (FR-FK).
- When the remote function is used, the output frequency of the inverter can be compensated for as follows:
 External operation mode Frequency set by RH/RM operation plus external running frequency other than multi-speeds
 (Set "1" in Pr. 28 to select the compensation input (terminal 1).)

PU operation mode Frequency set by RH/RM operation plus PU running frequency

Parameter Number	Factory Setting		Setting Range	
	FR-B	FR-B3	FR-B	FR-B3
59	0		0, 1, 2	



<Setting>

Refer to the following table and set the parameter:

Pr. 59 Setting	Operation	
	Remote setting function	Frequency setting storage function (E ² PROM)
0	No	—
1	Yes	Yes
2	Yes	No

- Use Pr. 59 to select whether the remote setting function is made valid or not and whether the frequency setting storage function* for remote setting is made valid or not. When you selected "remote setting function = yes", the functions of the terminals RH, RM, RL are changed to acceleration (RH), deceleration (RM) and clear (RL).

* Frequency setting storage function

The remote setting frequency (frequency set by RH, RM operation) is stored into memory. When power is switched off once, then on again, operation is resumed at this setting of the output frequency. (Pr. 59=1)

<Frequency setting storage condition>

- Frequency at the time when the start signal (STF or STR) has switched off
- Frequency at the time when the RH (acceleration) and RM (deceleration) signals have remained off for more than 1 minute

- Note: 1. The frequency can be varied by RH (acceleration) and RM (deceleration) can vary the frequency between 0 and the maximum frequency (Pr. 1 setting).
2. When the acceleration or deceleration signal switches on, the set frequency varies according to the slope set in Pr. 44 or Pr. 45. The output frequency acceleration/deceleration times are as set in Pr. 7 and Pr. 8, respectively. Therefore, the longer preset times are used to vary the actual output frequency.
3. If the start signal (STF or STR) is off, switching on the acceleration (RH) or deceleration (RM) signal varies the set frequency.

! CAUTION

! When selecting this function, re-set the maximum frequency according to the machine.

4.2.22 Intelligent mode selection (Pr. 60)

Pr. 60 "intelligent mode selection"

Related parameters

- Pr. 7 "acceleration time"
- Pr. 8 "deceleration time"
- Pr. 13 "starting frequency"
- Pr. 19 "base frequency voltage"
- Pr. 80, Pr. 81
(advanced magnetic flux vector control)
- Pr. 278 to Pr. 285
(brake sequence functions)

The inverter automatically sets appropriate parameters for operation.

- If you do not set the acceleration and deceleration times and V/F pattern, you can run the inverter as if appropriate values had been set in the corresponding parameters. This operation mode is useful to start operation immediately without making fine parameter settings.
- If the intelligent operation mode has been selected, entry of the jog signal or RT (second function selection) signal during an inverter stop starts ordinary operation, with priority given to jog operation or second function selection. After a start in the intelligent operation mode, neither the JOG signal nor the RT signal is accepted.

Parameter Number	Factory Setting		Setting Range	
	FR-B	FR-B3	FR-B	FR-B3
60	—	0	—	0 to 8

<Setting>

Pr. 60 Setting	Operation Mode	Description		Automatically Set Parameters
0	Ordinary operation mode	—————		—————
1, 2	Shortest acceleration/ deceleration mode	Set to accelerate/decelerate the motor in the shortest time. The inverter makes acceleration/deceleration in the shortest time using its full capabilities. During deceleration, an insufficient brake capability may cause the regenerative overvoltage alarm (E.OV3). "1": Stall prevention operation level 150% "2": Stall prevention operation level 180%		Pr. 7, Pr. 8
3	Optimum acceleration/ deceleration mode (Note 3, 5)	Optimum operation can be carried out by fully utilizing the inverter capabilities in the continuous rating range. Self-learning automatically sets the corresponding parameters so that the average current during acceleration/deceleration is equal to the rated current. Appropriate for applications where the load will not vary by a large amount.		Pr. 7, Pr. 8
4	Energy-saving mode (Note 4)	This operation mode tunes the output voltage online to minimize the inverter output power during constant-speed operation. Appropriate for energy-saving applications such as fan and pump.		Output voltage
5, 6	Elevator mode (Note 4)	Automatically controls the inverter output voltage to deliver the maximum torque in both the driving and regenerative modes. Appropriate for a counterbalanced elevator. "5": Stall prevention operation level 150% "6": Stall prevention operation level 180%		Pr. 13, Pr. 19
7	Brake sequence mode	Mechanical brake opening completion signal input	This function causes the inverter to output the mechanical brake operation timing signal for elevating application. For function details and related parameter setting, refer to Pr. 278 to Pr. 285 (brake sequence functions).	Pr. 10, Pr. 11, Pr. 12 (Note 6)
8		Mechanical brake opening completion signal not input		

Note: 1. Cannot be set for the FR-B series.

2. When more accurate control is required for your application, set the other parameters as appropriate.
3. Because of the learning system, this control is not valid at the first time in the optimum acceleration/deceleration mode. Also, this mode is only valid for frequency setting of 30.01Hz or more.
4. Since the FR-B3 series is run under advanced magnetic flux vector control, the settings of the energy-saving mode and elevator mode are ignored.
5. If an overvoltage (OV3) trip has occurred during operation in the optimum acceleration/deceleration mode (setting "3"), re-set Pr. 8 "deceleration time" to a larger value and restart operation in this mode.
6. The setting of "7" or "8" (brake sequence mode) makes Pr. 10 to Pr. 12 (DC dynamic brake) invalid.

4.2.23 Acceleration/deceleration reference current (Pr. 61 to Pr. 64)

Pr. 61 "Reference I for intelligent mode"

Pr. 62 "Ref. I for intelligent mode accel."

Pr. 63 "Ref. I for intelligent mode decel."

Pr. 64 "starting frequency for elevator mode"

Related parameter
Pr. 60 "intelligent mode selection"

- Set these parameters to improve performance in the intelligent mode.

Parameter Number	Factory Setting		Setting Range		Remarks
	FR-B	FR-B3	FR-B	FR-B3	
61	—	9999	—	0 to 500A, 9999	9999: Referenced from rated inverter current.
62	—	9999	—	0 to 200%, 9999	
63	—	9999	—	0 to 200%, 9999	
64	—	9999	—	0 to 10Hz, 9999	

<Setting>

(1) Pr. 61 "reference I for intelligent mode"

Setting	Reference Current
9999 (factory setting)	Referenced from rated inverter current
0 to 500A	Referenced from setting (rated motor current)

(2) Pr. 62 "Ref. I for intelligent mode accel."

(The reference value differs between the shortest acceleration/deceleration mode and optimum acceleration/deceleration mode.)

The reference current setting can be changed.

Setting	Reference Current	Remarks
9999 (factory setting)	150% (180%) is the limit value.	Shortest acceleration/deceleration mode
	100% is the optimum value.	Optimum acceleration/deceleration mode
0 to 200%	The setting of 0 to 200% is the limit value.	Shortest acceleration/deceleration mode
	The setting of 0 to 200% is the optimum value.	Optimum acceleration/deceleration mode

(3) Pr. 63 " Ref. I for intelligent mode decel."

(The reference value differs between the shortest acceleration/deceleration mode and optimum acceleration/deceleration mode.)

The reference current setting can be changed.

Setting	Reference Current	Remarks
9999 (factory setting)	150% (180%) is the limit value.	Shortest acceleration/deceleration mode
	100% is the optimum value.	Optimum acceleration/deceleration mode
0 to 200%	The setting of 0 to 200% is the limit value.	Shortest acceleration/deceleration mode
	The setting of 0 to 200% is the optimum value.	Optimum acceleration/deceleration mode

(4) Pr. 64 "starting frequency for elevator mode"

Setting	Reference Current
9999 (factory setting)	2Hz is the starting frequency.
0 to 10Hz	The setting of 0 to 10Hz is the starting frequency.

Note: Pr. 61 to Pr. 64 are only valid when any of "1 to 6" is selected for Pr. 60.

4.2.24 Retry function (Pr. 65, Pr. 67 to Pr. 69)

Pr. 65 "retry selection"

Pr. 67 "number of retries at alarm occurrence"

Pr. 68 "retry waiting time"

Pr. 69 "retry count display erasure"

When an alarm occurs, the retry function causes the inverter to automatically reset itself to make a restart and continue operation. You can select whether retry is made or not, alarms reset for retry, number of retries made, and waiting time.

Parameter Number	Factory Setting		Setting Range	
	FR-B	FR-B3	FR-B	FR-B3
65	0		0 to 5	
67	0		0 to 10, 101 to 110	
68	1 s		0 to 10 s	
69	0		0	

<Setting>

Use Pr. 65 to select alarms to be reset for retry.

Errors Reset for Retry	Setting					
	0	1	2	3	4	5
Display						
E.OC1	●	●		●	●	●
E.OC2	●	●		●	●	
E.OC3	●	●		●	●	●
E.OV1	●		●	●	●	
E.OV2	●		●	●	●	
E.OV3	●		●	●	●	
E.THM	●					
E.THT	●					
E.IPF	●				●	
E.UVT	●				●	
E.FIN						
E. BE	●				●	
E. GF	●				●	
E. LF						
E.OHT	●					
E.OLT	●				●	
E.OPT	●				●	
E.OP1	●				●	
E.OP2	●				●	
E.OP3	●				●	
E. PE	●				●	
E.PUE						
E.RET						
E.CPU						
E. 6						
E. 7						
E.MB1 (Note 4)	●				●	
E.MB2 (Note 4)	●				●	
E.MB3 (Note 4)	●				●	
E.MB4 (Note 4)	●				●	
E.MB5 (Note 4)	●				●	
E.MB6 (Note 4)	●				●	
E.MB7 (Note 4)	●				●	
E.P24						
E.CTE						

Note: ● indicates the errors selected for retry.

- Use Pr. 67 to set the number of retries at alarm occurrence.

Pr. 67 Setting	Number of Retries	Alarm Signal Output
0	Retry is not made.	———
1 to 10	1 to 10 times	Not output.
101 to 110	1 to 10 times	Output.

- Use Pr. 68 to set the waiting time from when an inverter alarm occurs until a restart in the range 0 to 10 seconds.
- Reading the Pr. 69 value provides the cumulative number of successful restart times made by retry. The setting of "0" erases the cumulative number of times.

Note: 1. The cumulative number in Pr. 69 is incremented by "1" when retry operation is regarded as successful, i.e. when normal operation is continued without any alarm occurring during a period more than four times longer than the time set in Pr. 68.

2. If alarms occur consecutively within a period four times longer than the above waiting time, the operation panel (FR-DU04) may show data different from the most recent data or the parameter unit (FR-PU04) may show data different from the first retry data. The data stored as the error reset for retry is only that of the alarm which occurred the first time.

3. When an inverter alarm is reset for retry with the retry function, the stored data of the electronic overcurrent protection, regenerative brake duty, etc. are not cleared. (Different from the power-on reset.)

4. The FR-B series does not display E.MB1 to 7.

! CAUTION

! When you have selected the retry function, stay away from the motor and machine unless required. They will start suddenly (after the reset time has elapsed) after occurrence of an alarm.

When you have selected the retry function, apply the supplied CAUTION seals in easily visible places.

Pr. 66 → Refer to Pr. 22.

Pr. 70 → Refer to Pr. 30.

4.2.25 Applied motor (Pr. 71)

Pr. 71 "applied motor"

Set the motor used.

Parameter Number	Factory Setting		Setting Range	
	FR-B	FR-B3	FR-B	FR-B3
71	0		0, 1	0 to 8, 13 to 18, 20, 23, 24

Related parameters

Pr. 12 "DC injection brake voltage"
 Pr. 19 "base frequency voltage"
 Pr. 60 "intelligent mode selection"
 Pr. 80 "motor capacity"
 Pr. 81 "number of motor poles"
 Pr. 96 "auto tuning setting/status"


<Setting>

- Refer to the following list and set this parameter according to the motor used.

Pr. 71 Setting	Thermal Characteristics of Electronic Overcurrent Protection		Motor	
			Standard	Constant Torque
0	Thermal characteristics matching a standard motor		○	
1	Thermal characteristics matching the Mitsubishi constant-torque motor			○
2	Thermal characteristics matching a standard motor 5-point flexible V/F characteristics		○	
20	Thermal characteristics for advanced magnetic flux vector control of the Mitsubishi standard motor SF-JR4P (1.5kW or less)		○	
3	Standard motor	Select "offline auto tuning setting".	○	
13	Constant-torque motor			○
23	Mitsubishi general-purpose motor SF-JR4P (1.5kW or less)		○	
4	Standard motor	Constant-torque motor	○	
14	Auto tuning data can be read or set anew.			○
24	Mitsubishi general-purpose motor SF-JR4P (1.5kW or less)		○	
5	Standard motor	Star connection	Motor constants can be entered directly.	○
15	Constant-torque motor			○
6	Standard motor	Delta connection		○
16	Constant-torque motor			○
7	Standard motor	Star connection	Direct motor constant entry and offline auto tuning	○
17	Constant-torque motor			○
8	Standard motor	Delta connection		○
18	Constant-torque motor			○

Note: 1. For the FR-B series, set "0" or "1" in Pr. 71.
 2. For the FR-B3 series, set "3, 13" or "4, 14" in Pr. 71 as you have to perform offline auto tuning.
 3. Refer to Pr. 96 for offline auto tuning.

 CAUTION

 Set this parameter correctly according to the motor used.
 Incorrect setting may cause the motor to overheat and burn.

4.2.26 PWM carrier frequency (Pr. 72, Pr. 240)

Pr. 72 "PWM frequency selection"

Pr. 240 "Soft-PWM setting"

You can change the motor tone.

- By parameter setting, you can select Soft-PWM control which changes the motor tone.
- Soft-PWM control changes motor noise from a metallic tone into an unoffending complex tone.

Parameter Number	Factory Setting			Setting Range			Remarks
	FR-B	FR-B3	FR-B3-N	FR-B	FR-B3	FR-B3-N	
72	—	2	15	—	0 to 15		0: 0.7kHz, 15: 14.5kHz
240	—	1	1	—	0, 1		1: Soft-PWM valid

<Setting>

- Refer to the following list and set the parameters:

Parameter Number	Factory Setting	Description
72	0 to 15	PWM carrier frequency can be changed. The setting displayed is in [kHz]. Note that 0 indicates 0.7kHz and 15 indicates 14.5kHz.
240	0	Soft-PWM invalid
	1	When any of "0 to 5" is set in Pr. 72, Soft-PWM is made valid.

Note: 1. Cannot be set for the FR-B series.

2. For the FR-B3-(H)400 to 37K, set 2 in Pr. 72 and 1 in Pr. 240.

For the FR-B3-N(H)400 to 37K, set 15 in Pr. 72.

3. A reduced PWM carrier frequency will decrease inverter-generated noise and leakage current but increase motor noise.

4.2.27 Voltage input (Pr. 73)

Pr. 73 "0-5V/0-10V selection"

Related parameters

Pr. 22 "stall prevention operation level"
 Pr. 903 "frequency setting voltage bias"
 Pr. 905 "frequency setting current gain"

You can select the analog input terminal specifications, the override function and the function to switch between forward and reverse rotation depending on the input signal polarity.

Parameter Number	Factory Setting		Setting Range	
	FR-B	FR-B3	FR-B	FR-B3
73	1		0 to 5, 10 to 15	

<Setting>

Pr. 73 Setting	Terminal AU Signal	Terminal 2 Input Voltage	Terminal 1 Input Voltage	Terminal 4 Input, 4 to 20mA	Override Function	Polarity Reversible		
0	OFF (No)	*0 to 10V	0 to ±10V	Invalid	×	No (Note 3)		
1		*0 to 5V	0 to ±10V					
2		*0 to 10V	0 to ±5V					
3		*0 to 5V	0 to ±5V					
4		0 to 10V	*0 to ±10V					
5		0 to 5V	*0 to ±5V		○			
10		*0 to 10V	0 to ±10V					
11		*0 to 5V	0 to ±10V					
12		*0 to 10V	0 to ±5V					
13		*0 to 5V	0 to ±5V					
14		0 to 10V	*0 to ±10V		○	Valid		
15		0 to 5V	*0 to ±5V					
0		ON (Yes)	Invalid		0 to ±10V	Yes *	×	No (Note 3)
1					0 to ±10V			
2					0 to ±5V			
3	0 to ±5V							
4	0 to 10V		Invalid	○				
5	0 to 5V							
10	Invalid		0 to ±10V	×	Valid			
11			0 to ±10V					
12			0 to ±5V					
13			0 to ±5V					
14	0 to 10V		Invalid	○				
15	0 to 5V							

- Note: 1. The value of terminal 1 (frequency setting auxiliary input) is added to the main speed setting signal of terminal 2 or 4.
2. When override has been selected, terminal 1 or 4 is for the main speed setting and terminal 2 is for the override signal (50 to 150% at 0-5V or 0-10V).
3. Indicates that a negative-polarity frequency command signal is not accepted.
4. To change the maximum output frequency at the input of the maximum frequency command voltage (current), use the frequency setting voltage (current) gain, Pr. 903 (Pr. 905). At this time, the command voltage (current) need not be input. Also, the acceleration/deceleration time, which is a slope up/down to the acceleration/deceleration reference frequency, is not affected by the change in Pr. 73 setting.
5. When the Pr. 22 setting is "9999", the value of terminal 1 is for the stall prevention operation level setting.
6. * indicates the main speed setting.

4.2.28 Input filter time constant (Pr. 74)

Pr. 74 "filter time constant"

You can set the input section's internal filter constant of an external voltage or current frequency setting signal.

- Effective for eliminating noise in the frequency setting circuit.
- Increase the filter time constant if steady operation cannot be performed due to noise. A larger setting results in lower response. (The time constant can be set between approximately 1ms to 1s. with the setting of 0 to 8. A larger setting results in a larger filter time constant.)

Parameter Number	Factory Setting		Setting Range	
	FR-B	FR-B3	FR-B	FR-B3
74	1		0 to 8	

4.2.29 Reset selection/PU disconnection detection/PU stop selection (Pr. 75)

Pr. 75 "reset selection/ disconnected PU detection/PU stop selection"

You can select the reset input acceptance, PU (FR-DU04/FR-PU04) connector disconnection detection function and PU stop function.

- Reset selection : You can select the reset function input timing.
- PU disconnection detection : When detecting that the PU (FR-DU04/FR-PU04) is disconnected from the inverter for more than 1 second, this function causes the inverter to output an alarm code (E.PUE) and come to an alarm stop.
- PU stop selection : When an alarm occurs in any operation mode, you can stop the motor from the PU by pressing the [STOP] key.

Parameter Number	Factory Setting		Setting Range	
	FR-B	FR-B3	FR-B	FR-B3
75	14		0 to 3, 14 to 17	

<Setting>

Pr. 75 Setting	Reset Selection	PU Disconnection Detection	PU Stop Selection
0	Reset input normally enabled.	If the PU is disconnected, operation will be continued.	Pressing the [STOP] key decelerates the motor to a stop only in the PU operation mode.
1	Reset input enabled only when the protective function is activated.		
2	Reset input normally enabled.	When the PU is disconnected, the inverter output is shut off.	
3	Reset input enabled only when the protective function is activated.		
14	Reset input normally enabled.	If the PU is disconnected, operation will be continued.	Pressing the [STOP] key decelerates the motor to a stop in any of the PU, external and communication operation modes.
15	Reset input enabled only when the protective function is activated.		
16	Reset input normally enabled.	When the PU is disconnected, the inverter output is shut off.	
17	Reset input enabled only when the protective function is activated.		

How to make a restart after a stop made by the [STOP] key from the PU during external operation

(1) Operation panel (FR-DU04)

- 1) After completion of deceleration to a stop, switch off the STF or STR signal.
- 2) Press the [MODE] key two times* to call the *OPNd* indication.

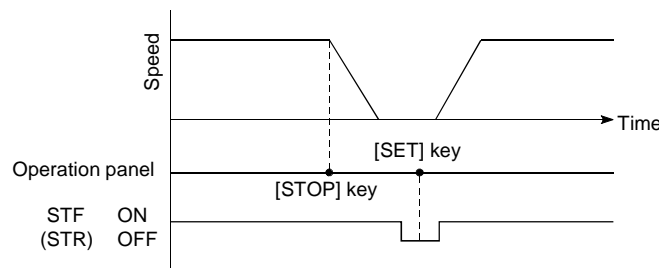
Note: When Pr. 79 = "3", press the [MODE] key three times to display *PU*, then press the [DOWN] key and proceed to step 3).

(* For monitor screen)Refer to page 44 for the monitor display provided by pressing the [MODE] key.

- 3) Press the [SET] key.
- 4) Turn on the STF or STR signal.

(2) Parameter unit (FR-PU04)

- 1) After completion of deceleration to a stop, switch off the STF or STR signal.
- 2) Press the [EXT] key.
- 3) Switch on the STF or STR signal.



(Example) A restart after a stop during external operation

The other way of making a restart other than the above method is to perform a power-reset or to make a reset with the inverter reset terminal.

- Note:
1. Entering the reset signal (RES) during operation causes the inverter during a reset to shut off its output, the data of the electronic overcurrent protection to be reset, and the motor to coast.
 2. The PU disconnection detection function judges that the PU is disconnected when it is kept disconnected for more than 1 second. The PU which had been disconnected from before power-on is not judged as an alarm.
 3. To resume operation, reset the inverter after confirming that the PU is connected securely.
 4. When PU disconnection detection is set and the PU is then disconnected during PU jog operation, the motor decelerates to a stop. The motor will not stop if a PU disconnection alarm occurs.
 5. The Pr. 75 value can be set any time. Also, if parameter (all) clear is executed, this setting will not return to the initial value.
 6. When the motor is stopped by the PU stop function, PS is displayed but an alarm is not output. When the PU connector is used for RS-485 communication operation, the reset selection and PU stop selection functions are valid but the PU disconnection detection function is invalid.
 7. The reset key of the PU is only valid when the protective function is activated, independent of the Pr. 75 setting.

 **CAUTION**

-  **Do not reset the inverter with the start signal on.**
Otherwise, the motor will start instantly after resetting, which may lead to hazardous conditions.

4.2.30 Alarm code output selection (Pr. 76)

Pr. 76 "alarm code output selection"

Related parameters

Pr. 79 "operation mode selection"
Pr. 190 to Pr. 195
(output terminal function selection)
Pr. 200 to Pr. 231
(programmed operation)

When an alarm occurs, its code can be output as a 4-bit digital signal from the open collector output terminals. When programmed operation has been selected, this parameter also serves to output a group operation signal.

The alarm code can read by a programmable controller etc to show its remedy on a display. Also you can look at the progress of programmed operation.

Parameter Number	Factory Setting		Setting Range	
	FR-B	FR-B3	FR-B	FR-B3
76	0		0 to 3	

<Setting>

- Alarm code output

Pr. 76 Setting	Output Terminals			
	SU	IPF	OL	FU
0	Alarm code is not output. (Depends on Pr. 190 to Pr. 195).			
1	Alarm code bit 3	Alarm code bit 2	Alarm code bit 1	Alarm code bit 0
2	When an alarm occurs, an alarm code signal is output. (Output signal is the same as in 1.) When operation is normal, an operation status signal is output. (Output signal is the same as in 0.)			
3 (during programmed operation)	Output at time-out	During group 3 operation	During group 2 operation	During group 1 operation

Note: 1. For alarm code definitions, refer to page 183.

2. The Pr. 76 setting overrides the Pr. 190 to Pr. 195 settings. Therefore, if you assign other signals to output terminals SU, IPF, OL and FU using Pr. 190 to Pr. 195, these terminals provide the output signals as listed above when any of "1 to 3" is set in Pr. 76. This should be noted when using the functions which use the output signals to exercise control.

4.2.31 Parameter Write Inhibit Selection (Pr. 77)

Pr. 77 "parameter write disable selection"

Related parameters
Pr. 79 "operation mode selection"

You can select between write-enable and disable for parameters. This function is used to prevent parameter values from being rewritten by accident.

Parameter Number	Factory Setting		Setting Range	
	FR-B	FR-B3	FR-B	FR-B3
77	0		0, 1, 2	

<Setting>

Pr. 77 Setting	Function
0	Write enabled during a stop only. Parameter values may only be written during a stop in the PU operation mode. (Note 1)
1	Write disabled. Values of Pr.75, Pr. 77 and Pr. 79 "operation mode selection" may be written.
2	Write enabled even during operation.

Note: 1. The values of the parameters half-tone screened in the parameter list can be set at any time.

2. If Pr. 77 = "2", the values of the following parameters cannot be written during operation. Stop operation when changing their parameter settings.

Parameter Number	Name	Parameter Number	Name
23	Stall prevention operation level at double speed	137	Start waiting time
48	Second stall prevention operation current	138	Commercial power supply-inverter switch-over selection at alarm occurrence
49	Second stall prevention operation frequency	139	Automatic inverter-commercial power supply switch-over frequency
60	Intelligent mode selection	180	RL terminal function selection
61	Reference current	181	RM terminal function selection
66	Stall prevention operation reduction starting frequency	182	RH terminal function selection
71	Applied motor	183	RT terminal function selection
79	Operation mode selection	184	AU terminal function selection
80	Motor capacity	185	JOG terminal function selection
81	Number of motor poles	186	CS terminal function selection
83	Rated motor voltage	190	RUN terminal function selection
84	Rated motor frequency	191	SU terminal function selection
95	Advanced mode selection	192	IPF terminal function selection
96	Auto tuning setting/status	193	OL terminal function selection
135	Commercial power supply-inverter switch-over sequence output terminal selection	194	FU terminal function selection
136	MC switch-over interlock time	195	ABC terminal function selection

3. By setting "1" in Pr. 77, the following clear operations can be inhibited:

- Parameter clear
- All clear
- User clear

4.2.32 Reverse rotation prevention selection (Pr. 78)

Pr. 78 "reverse rotation prevention selection"

Related parameters
Pr. 79 "operation mode selection"

This function can prevent any reverse rotation fault resulting from the misoperation of the start signal.

- Used for a machine, which runs only in one direction, e.g. fan, pump.
(The setting of this function is valid for the PU, external and communication operations.)

Parameter Number	Factory Setting		Setting Range	
	FR-B	FR-B3	FR-B	FR-B3
78	0		0, 1, 2	

<Setting>

Pr. 78 Setting	Function
0	Both forward and reverse rotations allowed
1	Reverse rotation disallowed
2	Forward rotation disallowed

4.2.33 Operation mode selection (Pr. 79)

Pr. 79 "operation mode selection"

Related parameters

Pr. 15 "jog frequency"
 Pr. 4 to Pr. 6, Pr. 24 to 27, Pr.232 to Pr.239
 (multi-speed operation)
 Pr. 76 "alarm code output selection"
 Pr. 180 to Pr. 186
 (input terminal function selection)
 Pr. 200 to Pr. 231
 (programmed operation)

Used to select the operation mode of the inverter.

You can choose any of the operation modes: operation using external signals (external operation), operation from the PU (FR-DU04/FR-PU04) (PU operation), combination of PU operation and external operation (external/PU combined operation), and computer link operation (when the FR-A5NR option is used).

Parameter Number	Factory Setting		Setting Range	
	FR-B	FR-B3	FR-B	FR-B3
79	0		0 to 8	

<Setting>

Pr. 79 Setting	Function
0	External operation mode at power-on PU or external operation can be selected.
1	PU operation mode
2	External operation mode
3	External/PU combined operation mode 1 Running frequency Set from the PU (FR-DU04/FR-PU04) (direct setting, [UP/DOWN] key) or external signal input (multi-speed setting only) Start signal External signal input (terminal STF, STR)
4	External/PU combined operation mode 2 Running frequency External signal input (terminal 2, 4, 1, jog, multi-speed selection) Start signal Input from the PU (FR-DU04/FR-PU04) ([FWD] key, [REV] key)
5	Programmed operation mode You can set 10 different operation starting times, rotation directions and running frequencies for each of three groups. Operation start STF Timer reset STR Group selection RH, RM, RL
6	Switch-over mode Switch-over between PU operation, external operation and computer link operation (when the communication option such as the FR-A5NR is used) modes can be done while running.
7	External operation mode (PU operation interlock) X12 signal ON May be switched to PU operation mode (output stop during external operation) X12 signal OFF Switching to PU operation mode inhibited
8	Switching to other than external operation mode (disallowed during operation) X16 signal ON Switched to external operation mode X16 signal OFF Switched to PU operation mode

Note: 1. Either "3" or "4" may be set to select the PU/external combined operation. These settings differ in starting method.

(1) Programmed operation

With this function, you can set 10 different operation starting times, rotation directions and running frequencies individually for each of selected three groups to perform automatic operation under the control of the internal elapsed time counting timer. For full information of this function, refer to the explanations of Pr. 200 to Pr. 231.

(2) Switch-over mode

You can select between PU operation, external operation and computer link operation (when FR-A5NR option is used).

Operation Mode Switching	Switching Operation/Operating Status
External operation to PU operation	1) Select the PU operation mode. <ul style="list-style-type: none"> • Rotation direction is the same as that of external operation. • Set frequency is as set by the potentiometer (frequency setting potentiometer). (Note that the setting will disappear when power is switched off or the inverter is reset.)
External operation to computer link operation	1) Mode change command to computer link mode is transmitted from the computer. <ul style="list-style-type: none"> • Rotation direction is the same as that of external operation. • Set frequency is as set by the potentiometer (frequency setting potentiometer). (Note that the setting will disappear when power is switched off or the inverter is reset.)
PU operation to external operation	1) Press the external operation key of the parameter unit. <ul style="list-style-type: none"> • Rotation direction is determined by the external operation input signal. • Set frequency is determined by the external frequency setting signal.
PU operation to computer link operation	1) Mode change command to computer link mode is transmitted from the computer. <ul style="list-style-type: none"> • Rotation direction and set frequency are the same as those of PU operation.
Computer link operation to external operation	1) The switch-over command to the external mode is sent from the computer. <ul style="list-style-type: none"> • Rotation direction is determined by the external operation input signal. • Set frequency is determined by the external frequency setting signal.
Computer link operation to PU operation	1) Select the PU operation mode with the operation panel or parameter unit. <ul style="list-style-type: none"> • Rotation direction and set frequency are the same as those of computer link operation.

(3) PU operation interlock

When the PU operation interlock signal is switched off, the operation mode is forcibly changed to the external operation mode. This function prevents the inverter from being inoperative by the external command if the mode is accidentally left unswitched from the PU operation mode.

1) Preparation

- Set "7" in Pr. 79 (PU operation interlock).
- Using any of Pr. 180 to Pr. 186 (input terminal function selection), allocate the terminal used to input X12 (PU external interlock signal).
Refer to page 139 for Pr. 180 to Pr. 186 (input terminal function selection).
- When the X12 signal is not assigned, the function of the MRS signal changes from MRS (output stop) to PU external interlock.

Note: When terminal assignment is changed using Pr. 180 to Pr. 186, the other functions may be affected. Check the functions of the corresponding terminals before making setting.

2) Function

X12 (MRS) Signal	Function/Operation
ON	Output stopped during external operation. Operation mode can be switched to PU operation mode. Parameter values can be rewritten in PU operation mode. PU operation allowed.
OFF	Forcibly switched to external operation mode. External operation allowed. Switching to PU operation mode inhibited.

<Function/operation changed by switching on-off the X12 (MRS) signal>

Operating Condition		X12 (MRS) Signal	Operation Mode (Note 4)	Operating Status	Parameter Write	Switching to PU Operation Mode
Operation mode	Status					
PU	During stop	ON → OFF (Note 3)	External	During stop	Allowed → disallowed	Disallowed
	During operation	ON → OFF (Note 3)		If external operation frequency setting and start signal are entered, operation is performed in that status.	Allowed → disallowed	Disallowed
External	During stop	OFF → ON	External	During stop	Disallowed → disallowed	Allowed
		ON → OFF			Disallowed → disallowed	Disallowed
	During operation	OFF → ON		During operation → output stop	Disallowed → disallowed	Disallowed
		ON → OFF		Output stop → during operation	Disallowed → disallowed	Disallowed

- Note: 1. When the Pr. 79 setting is 7 and the PU operation interlock signal is OFF, network operation such as computer link cannot be used.
2. If the X12 (MRS) signal is on, the operation mode cannot be switched to the PU operation mode when the start signal (STF, STR) is on.
3. The operation mode switches to the external operation mode independently of whether the start signal (STF, STR) is on or off. Therefore, the motor is run in the external operation mode when the X12 (MRS) signal is switched off with either of STF and STR on.
4. When an alarm occurs, the inverter can be reset by pressing the [RESET] key of the operation panel.
5. When the MRS signal is used as the PU interlock signal, switching the MRS signal on and rewriting the Pr. 79 value to other than 7 in the PU operation mode causes the MRS signal to provide the ordinary MRS function (output stop). Also, as soon as 7 is set in Pr. 79, the MRS signal acts as a PU interlock signal.
6. When the MRS signal is used as the PU external interlock signal, the signal logic conforms to the Pr. 17 setting. When Pr. 17 = 2, read ON for OFF and OFF for ON in the above explanation.

(4) Operation mode external signal switching function

1) Preparation

Set "8" (switching to other than external operation mode) in Pr. 79. Using any of Pr. 180 to Pr. 186 (input terminal function selection), allocate the terminal used to input the X16 (PU-external operation switching) signal.

Refer to page 139 for Pr. 180 to Pr. 186 (input terminal function selection).

Note: When terminal assignment is changed using Pr. 180 to Pr. 186, the other functions may be affected. Check the functions of the corresponding terminals before making setting.

2) Function

When the X16 signal is switched on in the PU operation mode, the operation mode is forcibly changed to the external operation mode. When the X16 signal is switched off in the external operation mode, the operation mode is changed to the PU operation mode. When the X16 signal is switched off during network operation such as computer link, the operation mode is changed to the PU operation mode as soon as the switch-over command to the external operation mode is sent from the computer. Note that this switch-over may only be made while the inverter is at a stop and cannot be made during operation.

X16 Signal	Operation Mode
ON	External operation mode (cannot be changed to the PU operation mode)
OFF	PU operation mode (cannot be changed to the external operation mode)

4.2.34 Motor constants (Pr. 80, Pr. 81, Pr. 89)

Pr. 80 "motor capacity"

Pr. 81 "number of motor poles"

Pr. 89 "speed control gain"

Related parameters

Pr. 71 "applied motor"
 Pr. 83 "rated motor voltage"
 Pr. 84 "rated motor frequency"
 Pr. 89 "speed control gain"
 Pr. 90 to Pr. 94 (motor constants)
 Pr. 96 "auto tuning setting/status"
 Pr. 180 to Pr. 186
 (input terminal function selection)

You can set the advanced magnetic flux vector control.

- Advanced magnetic flux vector control
 Provides large starting torque and sufficient low-speed torque.
 Effective for great load fluctuation.

Parameter Number	Factory Setting		Setting Range		Remarks
	FR-B	FR-B3	FR-B	FR-B3	
80	—	9999	—	0.4 to 55kW, 9999	9999: V/F control
81	—	9999	—	2, 4, 6, 12, 14, 16, 9999	9999: V/F control
89	—	100%	—	0 to 200.0%	

Cannot be set for the FR-B series.

<Operating conditions>

- As this inverter has been tested in combination with the pressure-resistant, explosion-proof motor beforehand in the explosion-proof certification, it cannot be used with any motor that is not the one tested in combination.
- Perform offline auto tuning in the actually wired status.

<Setting>

(1) Advanced magnetic flux vector control

- By setting the capacity, number of poles and type of the motor used in Pr. 80 and Pr. 81, the advanced magnetic flux vector control can be selected.

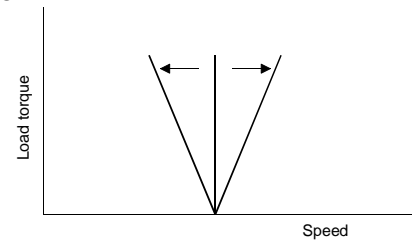
Parameter Number	Setting	Description	
80	9999	V/F control	
	0.4 to 55	Set the motor capacity applied.	Advanced magnetic flux vector control
81	9999	V/F control	
	2, 4, 6	Set the number of motor poles.	Advanced magnetic flux vector control
	12,14,16	V/F control is selected when the X18 (magnetic flux-V/F switch-over) signal switches on. (This selection is not made during operation.) Use any of Pr. 180 to Pr. 186 to assign the terminal used for X18 signal input. 12: For 2-pole motor 14: For 4-pole motor 16: For 6-pole motor	Do not use since the inverter is not submitted to the explosion-proof certification test for operation under V/F control. (FR-B3 series)

Note: 1. Speed fluctuation is slightly greater than in the V/F control. (Advanced magnetic flux vector control may not be suitable for machines which attach importance to little speed fluctuation at low speed, e.g. grinders, lapping machines.)

2. When the surge voltage suppression filter (FR-ASF-H) is used between the inverter and motor, output torque may reduce.

3. When the terminal functions are changed using Pr. 180 to Pr. 186, the other functions may be affected. Confirm the functions of the corresponding terminals before making setting.

- For adjustment of motor speed fluctuation due to load variation
Pr. 89 can be used to adjust motor speed fluctuation when the load varies



4.2.35 Offline auto tuning function (Pr. 82 to Pr. 84, Pr. 90 to Pr. 94, Pr. 96)

Pr. 82 "motor exciting current"

Pr. 83 "rated motor voltage"

Pr. 84 "rated motor frequency"

Pr. 90 "motor constant (R1)"

Pr. 91 "motor constant (R2)"

Pr. 92 "motor constant (L1)"

Pr. 93 "motor constant (L2)"

Pr. 94 "motor constant (X)"

Pr. 96 "auto tuning setting/status"

Related parameters

- Pr. 7 "acceleration time"
- Pr. 9 "electronic overcurrent protection"
- Pr. 71 "applied motor"
- Pr. 80 "motor capacity"
- Pr. 81 "number of motor poles"
- Pr. 156 "stall prevention operation selection"

When you use the advanced magnetic flux vector control, you can perform the offline auto tuning operation to calculate motor constants automatically.

- Cannot be set for the FR-B series.
- Offline auto tuning is made valid only when other values than "9999" are set in Pr. 80 and Pr. 81 to select the advanced magnetic flux vector control.
- Offline auto tuning
 - Automatically measures the motor constants used for advanced magnetic flux vector control.
 - Offline auto tuning can be performed with the load connected. (As the load is smaller, tuning accuracy is higher. Tuning accuracy does not change if inertia is large.)
 - For the offline auto tuning, you can select either the motor non-rotation mode or rotation mode.
 - You can read, write and copy the motor constants tuned by the offline auto tuning.
 - The offline auto tuning status can be monitored with the PU (FR-DU04/FR-PU04).

Parameter Number	Factory Setting		Setting Range		Remarks
	FR-B	FR-B3	FR-B	FR-B3	
82	—	9999	—	0 to , 9999	9999: Mitsubishi standard motor
83	—	200V/400V	—	0 to 1000V	Rated motor voltage
84	—	60Hz	—	50 to 120Hz	Rated motor frequency
90	—	9999	—	0 to , 9999	9999: Mitsubishi standard motor
91	—	9999	—	0 to , 9999	9999: Mitsubishi standard motor
92	—	9999	—	0 to , 9999	9999: Mitsubishi standard motor
93	—	9999	—	0 to , 9999	9999: Mitsubishi standard motor
94	—	9999	—	0 to , 9999	9999: Mitsubishi standard motor
96	—	0	—	0, 1, 101	0: No tuning

<Operating conditions>

- The motor is connected.
- When "101" (offline auto tuning with motor running) is set in Pr. 96, note the following:
 - 1) Torque may not be enough during tuning.
 - 2) The motor may be run at nearly its rated frequency (Pr. 84 setting) without problem.
 - 3) The brake is open.
 - 4) No external force is applied to rotate the motor.

This instruction must be followed especially for vertical lift applications.

Note that if the motor runs slightly, tuning performance is unaffected.

Note: 1. Offline auto tuning will not be performed properly if it is performed when the reactor or surge voltage suppression filter (FR-ASF-H) is connected between the inverter and motor. Remove it before starting tuning.
 2. Online auto tuning cannot be used.

<Setting>

(1) Parameter setting

- Using Pr. 80 and Pr. 81, select the advanced magnetic flux vector control.
- Refer to the parameter details list and set the following parameters:
 - 1) Set "101" in Pr. 96.
 - For setting of "101" Tuning with motor running.
 - 2) Set the rated motor current (A) in Pr. 9.
 - 3) Set the rated motor voltage (V) in Pr. 83.
 - 4) Set the rated motor frequency (Hz) in Pr. 84.
 - 5) Select the motor using Pr. 71.
 - Standard motor Pr. 71 = "3"
 - Constant-torque motor Pr. 71 = "13"

Note: 1. Pr. 83 and Pr. 84 are only displayed when the advanced magnetic flux vector control is selected (Pr. 80, Pr. 81).
 2. In these parameters, set the values given on the motor plate. When the standard motor has more than one rated value, set 200V/60Hz or 400V/60Hz.
 After tuning is over, set Pr. 9 "electronic overcurrent protection" to the rated current value at the operating voltage/frequency.

■ Parameter details

Parameter Number	Setting	Description		
9	0 to 500A	Set the rated motor current (A).		
71 (Note 1)	0	Electronic overcurrent protection thermal characteristics suitable for standard motor		
	1	Electronic overcurrent protection thermal characteristics suitable for Mitsubishi's constant-torque motor		
	2	Electronic overcurrent protection thermal characteristics suitable for standard motor 5-point flexible V/F characteristics		
	20	Mitsubishi SF-JR4P standard motor (1.5kW or less). Electronic overcurrent protection thermal characteristics for advanced magnetic flux vector control		
	3	Standard motor	Select "offline auto tuning setting"	
	13	Constant-torque motor		
	23	Mitsubishi's SF-JR4P standard motor (1.5kW or less)		
	4	Standard motor	Auto tuning read or change setting enabled	
	14	Constant-torque motor		
	24	Mitsubishi's SF-JR4P standard motor (1.5kW or less)		
	5	Standard motor	Star connection	Direct input of motor constants enabled
	15	Constant-torque motor	Delta connection	
	6	Standard motor	Star connection	Direct input of motor constants and offline auto tuning
	16	Constant-torque motor		
	7	Standard motor	Delta connection	
17	Constant-torque motor			
8	Standard motor			
18	Constant-torque motor			
83	0 to 1000V	Set the rated motor voltage (V).		
84	50 to 120Hz	Set the rated motor frequency (Hz).		
90	0 to , 9999	Tuning data (Values measured by offline auto tuning are set automatically.)		
91	0 to , 9999			
92	0 to , 9999			
93	0 to , 9999			
94	9999			
	0 to 100%			
96	0	Offline auto tuning is not performed.		
	1	Offline auto tuning is performed without motor running.		
	101	Offline auto tuning is performed with motor running.		

Note: 1. The electronic overcurrent protection characteristics are also selected simultaneously.

(2) Tuning execution

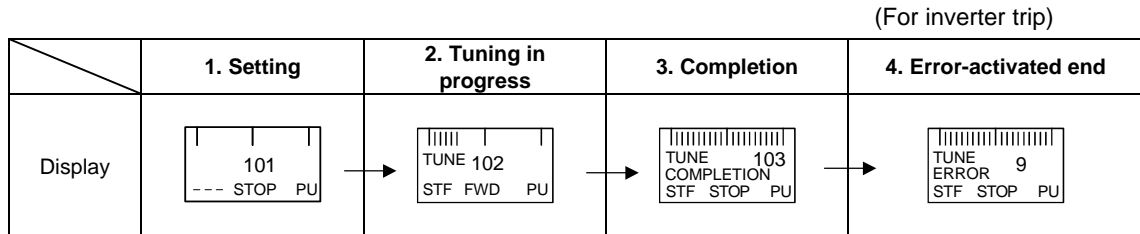
- For PU operation, press the [FWD] or [REV] key.
- For external operation, switch on the run command.

Note: 1. When "101" is set in Pr. 96, guard against hazards because the motor rotates.
 2. To force tuning to end
 ▪ Switch on the MRS or RES signal or press the [STOP] key to end.
 ▪ Switch off the tuning start command or make a forced stop.
 3. During offline auto tuning, the following I/O signals are only valid:
 ▪ Input signals
 STOP, OH, MRS, RT, CS, RES, STF, STR
 ▪ Output signals
 RUN, OL, IPF, FM, AM, A, B, C
 4. Special caution should be exercised when a sequence has been designed to open the mechanical brake with the RUN signal.
 5. When executing offline auto tuning, give the operation command after switching on the main circuit power supply (R, S, T) of the inverter.

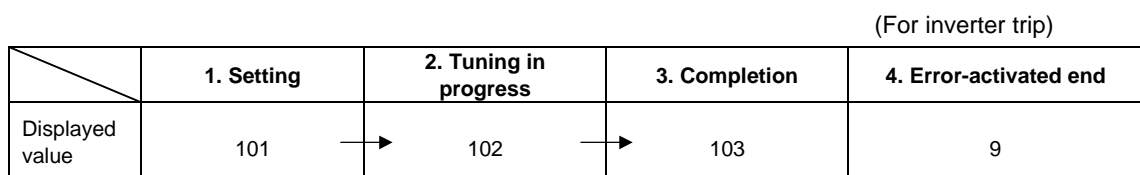
(3) Monitoring the offline tuning status

When the parameter unit (FR-PU04) is used, the Pr. 96 value is displayed during tuning on the main monitor as shown below. When the operation panel (FR-DU04) is used, only the same numerical value as on the PU is displayed:

- Parameter unit (FR-PU04) main monitor



- Operation panel (FR-DU04) display



- Reference: Offline auto tuning time (factory setting)

Offline Auto Tuning Setting	Time
2: Rotation mode	Approximately 40 seconds (Offline auto tuning time varies with acceleration and deceleration time settings as indicated below: Offline auto tuning time = acceleration time + deceleration time + approximately 30 seconds)

(4) Ending the offline auto tuning

- Confirm the Pr. 96 value.
 - Normal end: "3" or "103" is displayed.
 - Error-activated end: "9", "91", "92" or "93" is displayed.
 - Forced end ... "8" is displayed.
- When tuning ended normally.
 For PU operation, press the [STOP] key. For external operation, switch off the start signal (STF or STR). This operation resets the offline auto tuning and the PU's monitor display returns to the ordinary indication. (Without this operation, next operation cannot be done.)
- When tuning was ended due to an error.
 Offline auto tuning did not end normally. (Motor constants have not been set.) Reset the inverter and start tuning all over again.
- Error display definitions.

Error Display	Error Cause	Remedy
9	Inverter trip	Re-set.
91	Current limit (stall prevention) function was activated.	Increase acceleration/deceleration time. Set "1" in Pr. 156.
92	Inverter output voltage reached 75% of rated value.	Check for fluctuation of power supply voltage.
93	Calculation error	Check the motor wiring and re-set.

No connection with motor will result in 93 error.

5) When tuning was forced to end

A forced end occurs when tuning is forced to end by pressing the [STOP] key or turning off the start signal (STF or STR) during tuning.

In this case, offline auto tuning was not brought to a normal end. (The motor constants are not yet set.)
Reset the inverter and restart tuning.

- Note:
1. The motor constants measured once in the offline auto tuning are stored as parameters and their data is held until the offline auto tuning is performed again.
 2. An instantaneous power failure occurring during tuning will result in a tuning error. After power is restored, the inverter goes into the ordinary operation mode. Therefore, when STF (STR) is on, the motor runs in forward (reverse) rotation.
 3. When "8888" is set in Pr. 11, the tuning is forced to end and the DC dynamic brake is started upon input of the MRS signal.
 4. Any alarm occurring during tuning is handled as in the ordinary mode.
Note that if an error retry has been set, retry is ignored.
 5. The set frequency monitor displayed during the offline auto tuning is 0Hz.

CAUTION

Note that the motor may start running suddenly.

When the offline auto tuning is used in vertical lift application, e.g. a lifter, it may drop due to insufficient torque.

<Setting the motor constants as desired>

When the motor constants (Pr. 90 to Pr. 94) are to be set as desired, the data measured in the offline auto tuning may be read and utilized or changed.

■ To utilize or change the offline auto tuning data

<Operating procedure>

1. Set "801" in Pr. 77. Only when the Pr. 80 and Pr. 81 settings are other than "9999", the parameter values of the motor constants (Pr. 90 to Pr. 94) can be displayed. Though the parameter values of other than the motor constants (Pr. 90 to Pr. 94) can also be displayed, they are parameters for manufacturer setting and should be handled carefully without misuse.
2. Set any of the following values in Pr. 71:
 - Standard motor Pr. 71 = "4"
 - Constant-torque motor Pr. 71 = "14"
3. In the parameter setting mode, read the following parameters and set desired values. (Note 1)

Parameter Number	Name	Setting Range		Setting Increments	Factory Setting	
		FR-B	FR-B3		FR-B	FR-B3
82	Motor exciting current	—	0 to ****, 9999	1	—	9999
90	Motor constant R1	—	0 to ****, 9999	1	—	9999
91	Motor constant R2	—	0 to ****, 9999	1	—	9999
92	Motor constant L1	—	0 to ****, 9999	1	—	9999
93	Motor constant L2	—	0 to ****, 9999	1	—	9999
94	Motor constant X	—	0 to ****, 9999	1	—	9999

4. Return the Pr. 77 setting to the original value.

Note: 1. Pr. 90 to Pr. 94 values may only be read when the Pr. 80 and Pr. 81 settings are other than "9999" (advanced magnetic flux vector control selected).

2. Set "9999" in Pr. 90 to Pr. 94 to use the standard motor constants (including those for the constant-torque motor).

3. Set "3" (standard motor) or "13" (constant-torque motor) in Pr. 71 to use the constants measured in the offline auto tuning.

4. As the motor constants measured in the offline auto tuning have been converted into internal data (****), refer to the following setting example when making setting:
 Setting example: To slightly increase Pr. 90 value
 When Pr. 90 is displayed "2516", set 2642, i.e. $2516 \times 1.05 = 2641.8$, in Pr. 90.
 (The value displayed has been converted into a value for internal use. Hence, simple addition of a given value to the displayed value has no significance.)

Pr. 96 → Refer to Pr. 82.

Pr. 110, Pr. 111 → Refer to Pr. 7.

Pr. 114, Pr. 115 → Refer to Pr. 48.

Pr. 116 → Refer to Pr. 42.

4.2.36 Computer link operation (Pr. 117 to Pr. 124)

Pr. 117 "station number"

Pr. 118 "communication speed"

Pr. 119 "stop bit length"

Pr. 120 "parity check presence"

Pr. 121 "number of communication retries"

Pr. 122 "communication check time interval"

Pr. 123 "waiting time setting"

Pr. 124 "CR-LF presence/absence selection"

Used to perform required settings for RS-485 communication between the inverter and personal computer.

- The motor can be run from the PU connector of the inverter using RS-485 communication.

Communication specifications

Conforming standard		RS-485	
Number of inverters connected		1:N (maximum 32 inverters)	
Communication speed		Selected between 19200, 9600 and 4800bps	
Control protocol		Asynchronous	
Communication method		Half-duplex	
Communication specifications	Character system	ASCII (7 bits/8 bits) selectable	
	Stop bit length	Selectable between 1 bit and 2 bits.	
	Terminator	CR/LF (presence/absence selectable)	
	Check system	Parity check	Selected between presence (even/odd) or absence
		Sumcheck	Present
	Waiting time setting	Selectable between presence or absence	

- For the data codes of the parameters, refer to the data code list in the appendices.

Parameter Number	Factory Setting		Setting Range	
	FR-B	FR-B3	FR-B	FR-B3
117	0		0 to 31	
118	192		48, 96, 192	
119	1		Data length 8	0, 1
			Data length 7	10, 11
120	2		0, 1, 2	
121	1		0 to 10, 9999	
122	0		0 to 999.8s, 9999	
123	9999		0 to 150ms, 9999	
124	1		0, 1, 2	

<Setting>

To make communication between the personal computer and inverter, the communication specifications must be set to the inverter initially. If initial setting is not made or there is a setting fault, data transfer cannot be made.

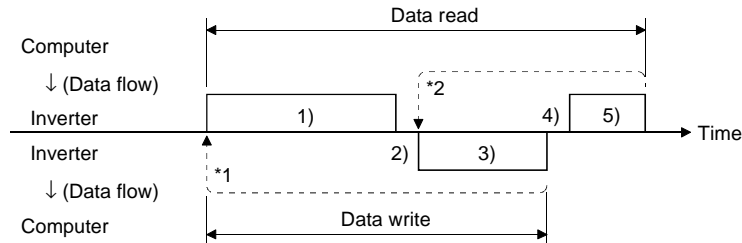
Note: After making the initial setting of the parameters, always reset the inverter. After you have changed the communication-related parameters, communication cannot be made if the inverter is not reset.

Parameter Number	Name	Setting		Description
		FR-B	FR-B3	
117	Station number	0 to 31		Station number specified for communication from the PU connector. Set the inverter station numbers when two or more inverters are connected to one personal computer.
118	Communication speed	48		4800 baud
		96		9600 baud
		192		19200 baud
119	Stop bit length/data length	8 bits	0	Stop bit length 1 bit
			1	Stop bit length 2 bits
		7 bits	10	Stop bit length 1 bit
			11	Stop bit length 2 bits
120	Parity check presence/absence	0		Absent
		1		Odd parity present
		2		Even parity present
121	Number of communication retries	0 to 10		Set the permissible number of retries at occurrence of data receive error. If the number of consecutive errors exceeds the permissible value, the inverter will come to an alarm stop.
		9999 (65535)		If a communication error occurs, the inverter will not come to an alarm stop. At this time, the inverter can be coasted to a stop by MRS or RES input. During an error, the light fault signal (LF) is given to the open collector output. Allocate the used terminal with any of Pr. 190 to Pr. 195 (output terminal function selection).
122	Communication check time interval	0		No communication
		0.1 to 999.8		Set the communication check time [s] interval. If no-communication state persists for longer than the permissible time, the inverter will come to an alarm stop.
		9999		Communication check suspended
123	Waiting time setting	0 to 150		Set the waiting time between data transmission to the inverter and response.
		9999		Set with communication data.
124	CR, LF presence/absence selection	0		Without CR/LF
		1		With CR, Without LF
		2		With CR/LF

<Computer programming>

(1) Communication protocol

Data communication between the computer and inverter is performed using the following procedure:



*1. If a data error is detected and a retry must be made, execute retry operation from the user program. The inverter comes to an alarm stop if the number of consecutive retries exceeds the parameter setting.

*2. On receipt of a data error occurrence, the inverter returns "reply data 3)" to the computer again. The inverter comes to an alarm stop if the number of consecutive data errors reaches or exceeds the parameter setting.

(2) Communication operation presence/absence and data format types

Communication operation presence/absence and data format types are as follows:

No.	Operation	Run Command	Running Frequency	Parameter Write	Inverter Reset	Monitoring	Parameter Read	
1)	Communication request is sent to the inverter in accordance with the user program.	A'	A	A	A	B	B	
2)	Inverter data processing time	Present	Present	Present	Absent	Present	Present	
3)	Reply data from the inverter (Data 1) is checked for error)	No error	C	C	C	Absent	E E'	E
		Request accepted						
		With error request rejected	D	D	D	Absent	F	F
4)	Computer processing delay time	Absent	Absent	Absent	Absent	Absent	Absent	
5)	Answer from computer in response to reply data 3) (Data 3) is checked for error)	No error	Absent	Absent	Absent	Absent	G	G
		No processing						
		With error data 3) is output	Absent	Absent	Absent	Absent	H	H

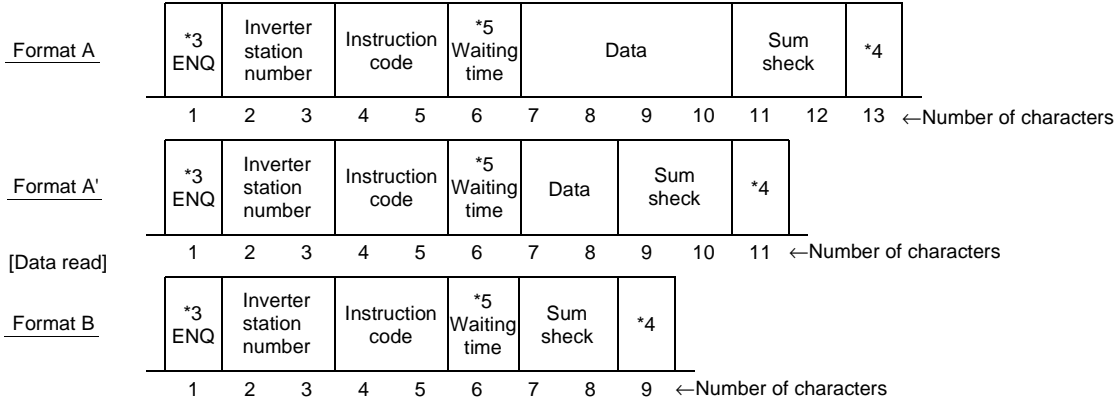
(3) Data format

Hexadecimal data is used. Data is automatically transferred in ASCII between the computer and inverter.

• Data format types

1) Communication request data from computer to inverter

[Data write]



Note: 1. The inverter station numbers may be set between H00 and H1F (stations 0 and 31) in hexadecimal.

2. *3 indicates the control code.

3. *4 indicates the CR or LF code.

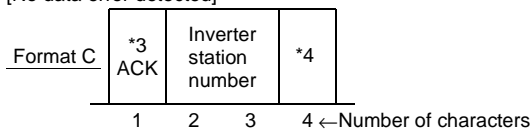
When data is transmitted from the computer to the inverter, codes CR (carriage return) and LF (line feed) are automatically set at the end of a data group on some computers. In this case, setting must also be made from the inverter according to the computer.

Also, the presence and absence of the CR and LF codes can be selected using Pr. 124.

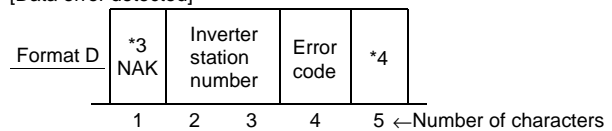
4. For *5, create the communication request data with no "waiting time" in the data format when Pr. 123 "waiting time setting" ≠ 9999. (The number of characters decreases by 1.)

2) Send data from inverter to computer during data write

[No data error detected]

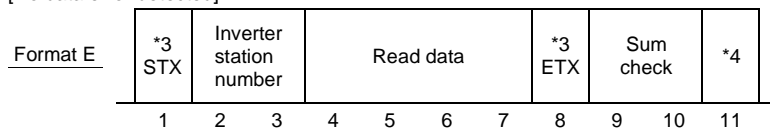


[Data error detected]

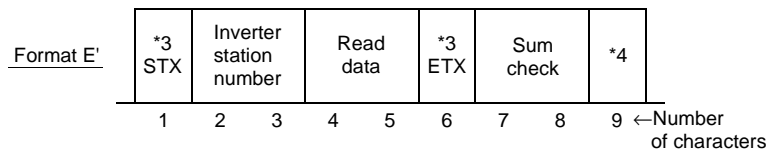
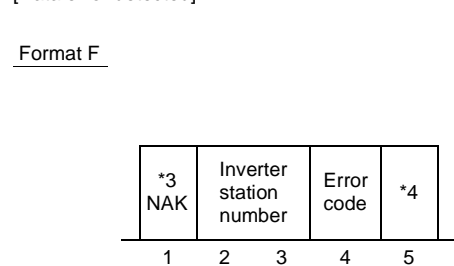


3) Reply data from inverter to computer during data read

[No data error detected]

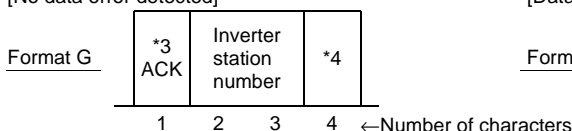


[Data error detected]

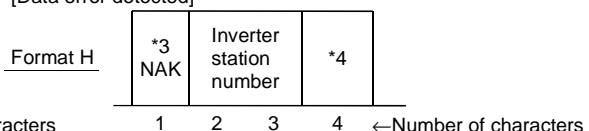


4) Send data from computer to inverter during data read

[No data error detected]



[Data error detected]



(4) Data definitions

1) Control codes

Signal	ASCII Code	Description
STX	H02	Start of Text (Start of data)
ETX	H03	End of Text (End of data)
ENQ	H05	Enquiry (Communication request)
ACK	H06	Acknowledge (No data error detected)
LF	H0A	Line Feed
CR	H0D	Carriage Return
NAK	H15	Negative Acknowledge (Data error detected)

2) Inverter station number

Specify the station number of the inverter which communicates with the computer.

3) Instruction code

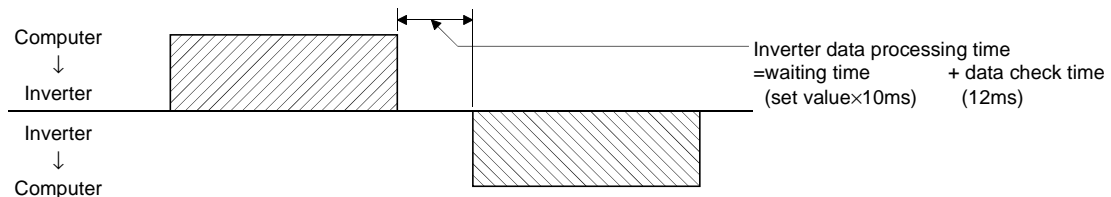
Specify the processing request (e.g. operation, monitoring) given by the computer to the inverter. Hence, the inverter can be run and monitored in various ways by specifying the instruction code as appropriate.

4) Data

Indicates the data such as frequency and parameters transferred to and from the inverter. The definitions and ranges of set data are determined in accordance with the instruction codes. (Refer to 208.)

5) Waiting time

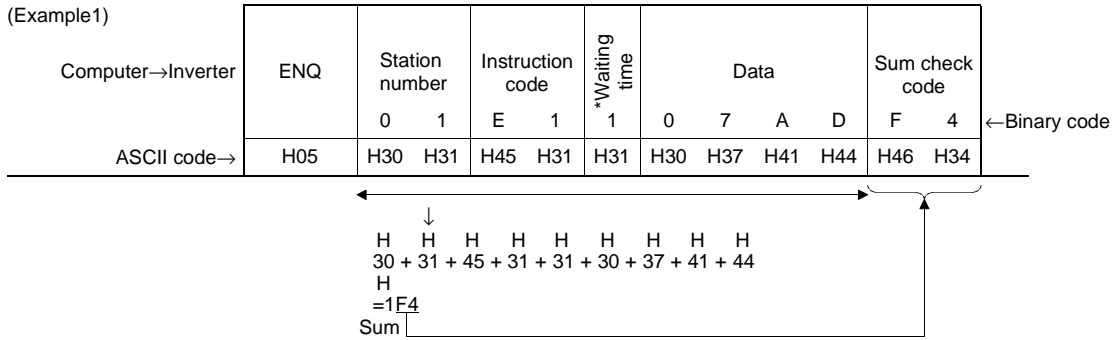
Specify the waiting time between the receipt of data at the inverter from the computer and the transmission of reply data. Set the waiting time in accordance with the response time of the computer between 0 and 150ms in 10ms increments (e.g. 1 = 10ms, 2 = 20ms).



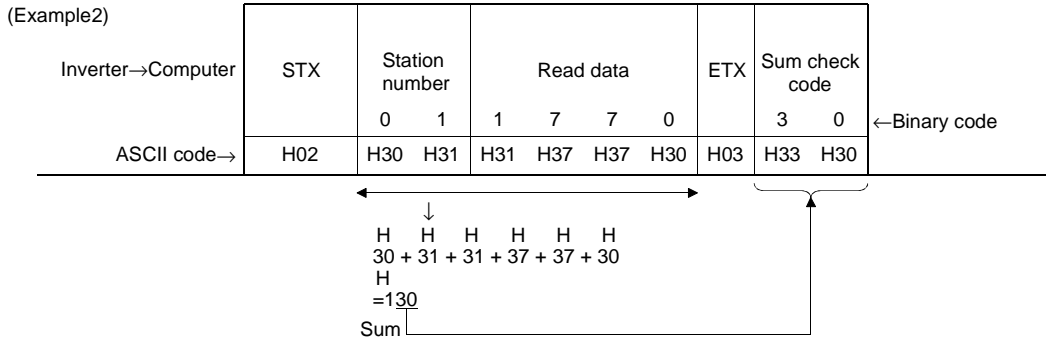
Note : When Pr. 123 "waiting time setting" ≠ 9999, create the communication request data with no "waiting time" in the data format. (The number of characters is decreased by 1.)

6) Sum check code

The sum check code is 2-digit ASCII (hexadecimal) representing the lower 1 byte (8 bits) of the sum (binary) derived from the checked ASCII data.



*When Pr. 123 "waiting time setting" ≠, 9999, create the communication request data with no "waiting time" in the data format. (The number of characters is decreased by 1.)



7) Error code

If any error is found in the data received by the inverter, its definition is sent back to the computer together with the NAK code. (Refer to page 123)

- Note: 1. When the data from the computer has an error, the inverter will not accept that data.
 2. Any data communication, e.g. run command, monitoring, is started when the computer gives a communication request. Without the computer's command, the inverter does not return any data. For monitoring, therefore, design the program to cause the computer to provide a data read request as required.
 3. Data for link parameter expansion setting differs as indicated below between access to Pr. 1 to Pr. 99 values and access to Pr. 110 to Pr. 905:

		Instruction Code	Data
Link parameter expansion setting	Read	H7F	H00: Pr. 1 to Pr. 99 values are accessible. H01: Pr. 110 to Pr. 159, Pr. 200 to Pr. 231 and Pr. 900 to Pr. 905 values are accessible. H02: Pr. 160 to Pr. 199 and Pr. 232 to Pr. 285 values are accessible.
	Write	HFF	H03: Pr. 300 to Pr. 399 values are accessible. H09: Pr. 990, Pr. 991 value is accessible.

(5) Instructions for the program

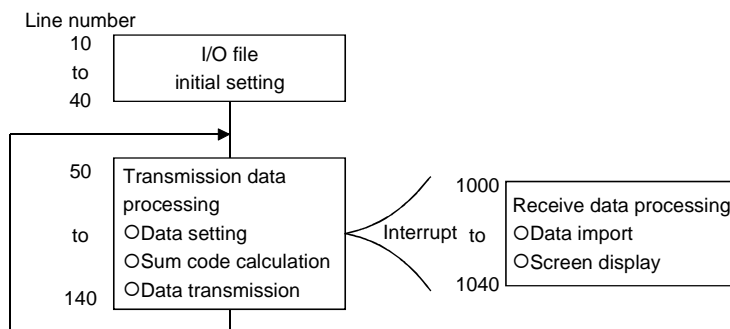
- 1) If the data from the computer is in error, the inverter will not accept that data. Hence, always insert a data-error retry program in the user program.
- 2) Since the computer always requests any data communication, such as operation command or monitoring, the inverter will not return data without the computer's request. Hence, design the program so that the computer gives a data read request for monitoring, etc. as required.

3) Program example




When the operation mode is switched to communication operation

10 OPEN "COM1: 9600, E, 8, 2, HD" AS#1	Initial setting of I/O file
20 COMST1, 1, 1: COMST1, 2, 1	: Communication file opening
30 ON COM (1) GOSUB*REC	: Circuit control signal (RS, ER) ON/OFF setting
40 COM (1) ON	: Interrupt definition at data receive
50 D\$= "01FB10002"	: Interrupt enable
60 S=0	Transmission data setting
70 FOR I=1 TO LEN (D\$)	
80 A\$=MID\$ (D\$, I, 1)	
90 A=ASC (A\$)	Sum code calculation
100 S=S+A	
110 NEXTI	
120 D\$=CHR\$ (&H5) +D\$+RIGHT\$ (HEX\$ (S) , 2)	: Addition of control and sum codes
130 PRINT#1, D\$	Data transmission
140 GOTO 50	
1000 *REC	Interrupt data receive
1010 IF LOC (1)=0 THEN RETURN	: Interrupt occurrence at data receive
1020 PRINT "RECEIVE DATA"	
1030 PRINT INPUT\$ (LOC (1) , #1)	
1040 RETURN	

General flowchart



 **CAUTION**

-  **When the inverter's communication check time interval is not set, interlocks are provided to disable operation to prevent hazard. Always set the communication check time interval before starting operation.**
-  **Data communication is not started automatically but is made only when the computer provides a communication request. If communication is disabled during operation due to signal cable breakage etc, the inverter cannot be stopped. When the communication check time interval has elapsed, the inverter will come to an alarm stop (E.PUE).
The inverter can be coasted to a stop by switching on its RES signal or by switching power off.**
-  **If communication is halted due to signal cable breakage, computer fault etc., the inverter does not detect such a fault. This should be fully noted.**

No.	Item	Instruction Code	Description	Number of Data Digits																									
3	Run command	HFA	<p>b7: _____ b0: _____</p> <table border="1"> <tr> <td>0</td><td>0</td><td>0</td><td>0</td><td>0</td><td>0</td><td>1</td><td>0</td> </tr> </table> <p>(For example 1)</p> <p>[Example 1] H02 ... Forward rotation</p> <p>[Example 2] H00 ... Stop</p> <p>b1: Forward rotation (STF) b2: Reverse rotation (STR) b3: _____ b4: _____ b5: _____ b6: _____ b7: _____</p>	0	0	0	0	0	0	1	0	2 digits																	
0	0	0	0	0	0	1	0																						
4	Inverter status monitor	H7A	<p>b7: _____ b0: _____</p> <table border="1"> <tr> <td>0</td><td>0</td><td>0</td><td>0</td><td>0</td><td>0</td><td>1</td><td>0</td> </tr> </table> <p>(For example 1)</p> <p>[Example 1] H02 ... During forward rotation</p> <p>[Example 2] H80 ... Stop due to alarm</p> <p>b0: Inverter running (RUN) * b1: Forward rotation b2: Reverse rotation b3: Up to frequency (SU) * b4: Overload (OL) * b5: Instantaneous power failure (IPF) * b6: Frequency detection (FU) * b7: Alarm occurrence *</p> <p>*The output data depends on the Pr. 190 to Pr. 195 settings.</p>	0	0	0	0	0	0	1	0	2 digits																	
0	0	0	0	0	0	1	0																						
5	Set frequency read (E ² PROM)	H6E	<p>Reads the set frequency (RAM or E²PROM). H0000 to H2EE0: 0.01Hz increments (hexadecimal) H0000 to H9C40: 0.01Hz increments (hexadecimal) [0 to 120Hz (22K or less)/0 to 60Hz(30K or more)] To change the set frequency consecutively, write data to the inverter RAM. (Instruction code: HED)</p>	4 digits																									
	Set frequency read (RAM)	H6D		4 digits																									
	Set frequency write (E ² PROM)	HEE		4 digits																									
	Set frequency write (RAM)	HED		4 digits																									
6	Inverter reset	HFD	H9696: Resets the inverter. As the inverter is reset on start of communication by the computer, the inverter cannot send reply data back to the computer.	4 digits																									
7	Alarm definition batch clear	HF4	H9696: Batch clear of alarm history	4 digits																									
8	All clear	HFC	<p>All parameters return to the factory settings. Any of four different clear operations is performed according to the data.</p> <table border="1"> <thead> <tr> <th>Pr. Data</th> <th>Communi- cation Pr.</th> <th>Calibration</th> <th>Other Pr.</th> <th>HEC HF3 HFF</th> </tr> </thead> <tbody> <tr> <td>H9696</td> <td>○</td> <td>×</td> <td>○</td> <td>○</td> </tr> <tr> <td>H9966</td> <td>○</td> <td>○</td> <td>○</td> <td>○</td> </tr> <tr> <td>H5A5A</td> <td>×</td> <td>×</td> <td>○</td> <td>○</td> </tr> <tr> <td>H55AA</td> <td>×</td> <td>○</td> <td>○</td> <td>○</td> </tr> </tbody> </table> <p>When all parameter clear is executed for H9696 or H9966, communication-related parameter settings also return to the factory settings. When resuming operation, set the parameters again.</p>	Pr. Data	Communi- cation Pr.	Calibration	Other Pr.	HEC HF3 HFF	H9696	○	×	○	○	H9966	○	○	○	○	H5A5A	×	×	○	○	H55AA	×	○	○	○	4 digits
Pr. Data	Communi- cation Pr.	Calibration	Other Pr.	HEC HF3 HFF																									
H9696	○	×	○	○																									
H9966	○	○	○	○																									
H5A5A	×	×	○	○																									
H55AA	×	○	○	○																									
9	User clear	HFC	<p>H9669: User clear is made.</p> <table border="1"> <thead> <tr> <th>Communi- -cation Pr.</th> <th>Calib- -ration</th> <th>Other Pr.</th> <th>HEC HF3 HFF</th> </tr> </thead> <tbody> <tr> <td>○</td> <td>×</td> <td>○</td> <td>○</td> </tr> </tbody> </table>	Communi- -cation Pr.	Calib- -ration	Other Pr.	HEC HF3 HFF	○	×	○	○	4 digits																	
Communi- -cation Pr.	Calib- -ration	Other Pr.	HEC HF3 HFF																										
○	×	○	○																										
10	Parameter write	H80 to HE3	Refer to the data list (page 208) and write and/or read parameter values as required.	4 digits																									
11	Parameter read	H00 to H63	Note that some parameters may not be accessible.																										
12	Link parameter expansion setting	Read	H7F	<p>H00 to H6C and H80 to HEC parameter values are changed. H00: Pr. 0 to Pr. 96 values are accessible. H01: Pr. 110 to Pr. 158 , Pr. 200 to Pr. 231 and Pr. 900 to Pr. 905 values are accessible. H02: Pr. 160 to Pr. 199 and Pr. 232 to Pr. 287 values are accessible. H03: Pr. 300 to Pr. 342 values are accessible. H09: Pr. 990, Pr. 991 value is accessible.</p>	2 digits																								
		Write	HFF																										
13	Second parameter changing (Code FF = 1)	Read	H6C	<p>When setting the programmed operation (data code H3D to H5A, HBD to HDA) parameter</p> <p style="text-align: right;">→ <table border="1" style="display: inline-table;"><tr><td>6</td><td>3</td><td>3</td><td>B</td></tr></table></p> <p style="text-align: right;">Time (Minute) Minute (Second)</p> <p>H00: Time H01: Time H02: Rotation direction</p>	6	3	3	B	2 digits																				
		6	3	3	B																								
Write	HEC	<p>When setting the bias/gain (data code H5E to HBA, HDE to HED) parameter</p> <p>H00: Offset/gain H01: Analog H02: Analog value of terminal</p>																											

<Error Code List>

The corresponding error code in the following list is displayed if an error is detected in any communication request data from the computer.

Error Code	Item	Definition	Inverter Operation
H0	Computer NAK error	The number of errors consecutively detected in communication request data from the computer is greater than allowed number of retry times.	Brought to an alarm stop (E.PUE) if error occurs continuously more than the allowable number of retry times.
H1	Parity error	The parity check result does not match the specified parity.	
H2	Sum check error	The sum check code in the computer does not match that of the data received by the inverter.	
H3	Protocol error	Data received by the inverter is in the wrong protocol, data receive is not completed within the given time, or CR and LF are not as set in the parameter.	
H4	Framing error	The stop bit length is not as specified.	
H5	Overrun error	The computer has sent new data before the inverter completes receiving the preceding data.	
H6	_____	_____	_____
H7	Character error	The character received is invalid (other than 0 to 9, A to F, control code).	Does not accept receive data but is not brought to alarm stop.
H8	_____	_____	_____
H9	_____	_____	_____
HA	Mode error	Parameter write was attempted in other than the computer link operation mode or during inverter operation.	Does not accept or receive data but is not brought to alarm stop.
HB	Instruction code error	The specified command does not exist.	
HC	Data range error	Invalid data has been specified for parameter write, frequency setting, etc.	
HD	_____	_____	_____
HE	_____	_____	_____
HF	_____	_____	_____

(6) Communication specifications for RS-485 communication

Operation Location	Item	Operation Mode		
		Communication Operation from PU Connector	External Operation	Computer Link Operation (inboard option used)
Computer user program via PU connector	Run command (start)	Enable	Disable	Disable
	Running frequency setting	Enable	Enable (Combined operation mode)	Disable
	Monitoring	Enable	Enable	Enable
	Parameter write	Enable (*4)	Disable (*4)	Disable (*4)
	Parameter read	Enable	Enable	Enable
	Inverter reset	Enable	Enable	Enable
	Stop command (*3)	Enable	Enable	Enable
Computer user program via inboard option	Run command	Disable	Disable	Enable (*1)
	Running frequency setting	Disable	Disable	Enable (*1)
	Monitoring	Enable	Enable	Enable
	Parameter write	Disable (*4)	Disable (*4)	Enable (*4)
	Parameter read	Enable	Enable	Enable
	Inverter reset	Disable	Disable	Enable
	Stop command (*3)	Disable	Disable	Enable
Control circuit terminal	Inverter reset	Enable	Enable	Enable
	Run command	Disable	Enable	Enable (*1)
	Running frequency setting	Disable	Enable	Enable (*1)

(*1) As set in the operation and speed command write parameters.

(*2) At occurrence of RS-485 communication fault, the inverter cannot be reset from the computer.

(*3) As set in Pr. 75.

(*4) As set in Pr. 77.

(7) Operation at alarm occurrence

Fault Location	Description	Operation Mode		
		Communication Operation (PU connector)	External Operation	Computer link Operation (inboard option used)
Inverter fault	Inverter operation	Stop	Stop	Stop
	Communication	PU connector Continued	Continued	Continued
Communication error (Communication from PU connector)	Inverter operation	Stop/continued (*5)	Continued	Continued
	Communication	PU connector Stop	Stop	Stop
		Inboard option Continued	Continued	Continued
Communication error (Inboard option)	Inverter operation	Continued	Continued	Stop/continued (*6)
	Communication	PU connector Continued	Continued	Continued
		Inboard option Stop	Stop	Stop

(*5) Can be selected using the corresponding parameter (factory-set to continue)

(*6) Can be selected using the corresponding parameter (factory-set to stop)

(8) Communication error

Fault Location	Error Message
Communication error (Communication from PU connector)	E.PUE
Communication error (Inboard option)	E.OP1 to E.OP3

4.2.37 PID control (Pr. 128 to Pr. 134)

Pr. 128 "PID action selection"

Pr. 129 "PID proportional band"

Pr. 130 "PID integral time"

Pr. 131 "upper limit"

Pr. 132 "lower limit"

Pr. 133 "PID action set point for PU operation"

Pr. 134 "PID differential time"

Related parameters

- Pr. 73 "0-5/0-10V selection"
- Pr. 79 "operation mode selection"
- Pr. 180 to Pr. 186
(input terminal function selection)
- Pr. 190 to Pr.195
(output terminal function selection)
- Pr. 902 to Pr. 905
(frequency setting voltage (current) bias and gain)

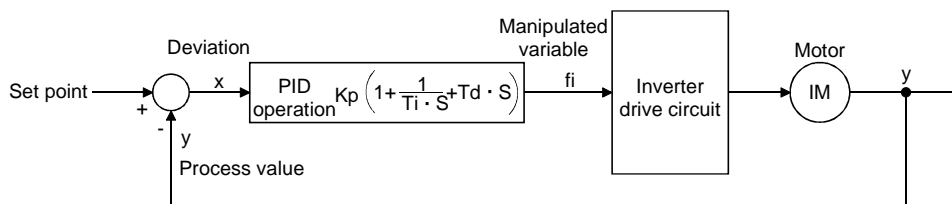
The inverter can be used to exercise process control, e.g. flow rate, air volume or pressure.

- The voltage input signal (0 to ±5V or 0 to ±10V) or Pr. 133 setting is used as a set point and the 4 to 20mADC current input signal used as a feedback value to constitute a feedback system for PID control.

Parameter Number	Factory Setting		Setting Range		Remarks
	FR-B	FR-B3	FR-B	FR-B3	
128	10		10, 11, 20, 21		
129	100%		0.1 to 1000%, 9999		9999: No proportional control
130	1 s		0.1 to 3600 s, 9999		9999: No integral control
131	9999		0 to 100%, 9999		9999: Function invalid
132	9999		0 to 100%, 9999		9999: Function invalid
133	0%		0 to 100%		
134	9999		0.01 to 10.00 s, 9999		9999: No differential control

<Setting>

(1) Basic PID control configuration



Kp: Proportional constant Ti: Integral time S: Operator Td: Differential time

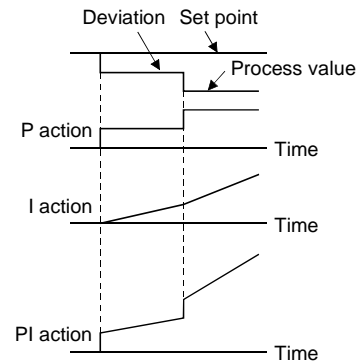
(2) PID action overview

1) PI action

A combination of proportional control action (P) and integral control action (I) for providing a manipulated variable in response to deviation and changes with time.

[Operation example for stepped changes of process value]

Note: PI action is the sum of P and I actions.

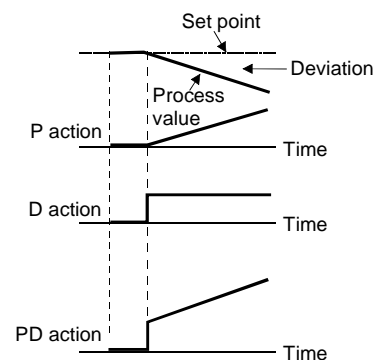


2) PD action

A combination of proportional control action (P) and differential control action (D) for providing a manipulated variable in response to deviation speed to improve the transient characteristic.

[Operation example for proportional changes of process value]

Note: PD action is the sum of P and D actions.



3) PID action

The PI action and PD action are combined to utilize the advantages of both actions for control.

Note: The PID action is the sum of P and I and D actions.

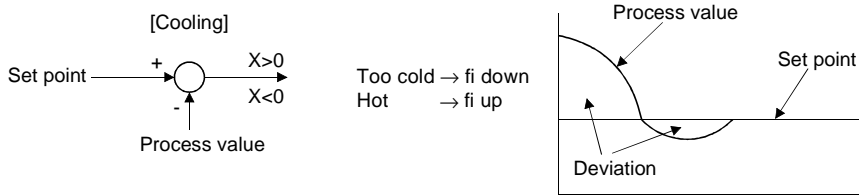
4) Reverse action

Increases the manipulated variable (output frequency) if deviation X (set point - process value) is positive, and decreases the manipulated variable if deviation is negative.



5) Forward action

Increases the manipulated variable (output frequency) if deviation X (set point - process value) is negative, and decreases the manipulated variable if deviation is positive.

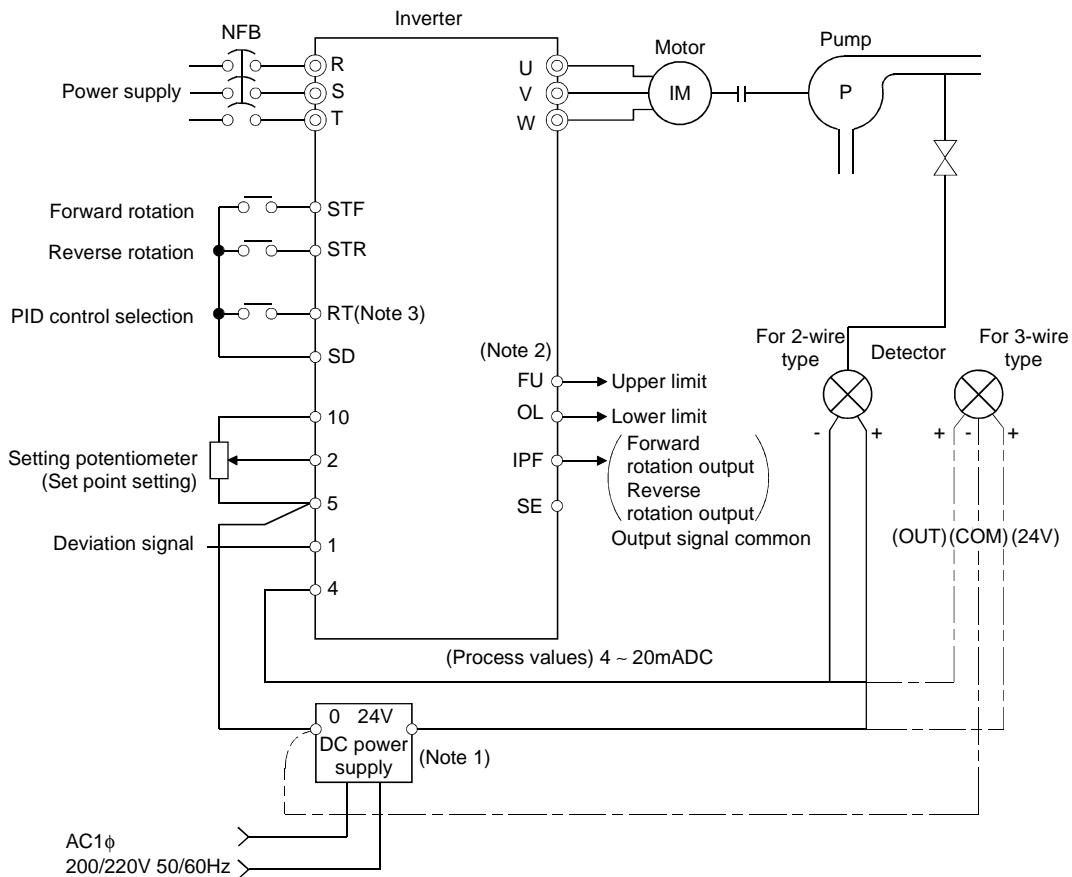


Relationships between deviation and manipulated variable (output frequency)

	Deviation	
	Positive	Negative
Reverse action	↗	↘
Forward action	↘	↗

(3) Wiring example

- Sink logic
- Pr. 183 = 14
- Pr. 192 = 16
- Pr. 193 = 14
- Pr. 194 = 15



Note: 1. The power supply must be selected in accordance with the power specifications of the detector used.
 2. The output signal terminals used depends on the Pr. 191 to Pr. 194 settings.
 3. The input signal terminals used depends on the Pr. 180 to Pr. 186 settings.

(4) I/O signals

Signal	Terminal Used	Function	Description	Remarks		
Input	X14	Depending on Pr. 180 to Pr. 186	PID control selection	Switch on X14 to select PID control.	Set any of "10, 11, 20 and 21" in Pr. 128.	
	2	2	Set point input	Enter the set point for PID control.		
	1	1	Deviation signal input	Enter the deviation signal calculated externally.		
	4	4	Process value input	Enter the 4 to 20mADC process value signal from the detector.		
Output	FUP	Depending on Pr. 190 to Pr. 195	Upper limit output	Output to indicate that the process value signal exceeded the upper limit value.	(Pr. 128 = 20, 21)	Open collector output
	FDN		Lower limit output	Output to indicate that the process value signal exceeded the lower limit value.		
	RL		Forward (reverse) rotation direction output	"Hi" is output to indicate that the output indication of the parameter unit is forward rotation (FWD) or "Low" to indicate that it is reverse rotation (REV) or stop (STOP).	(Pr. 128 = 10, 11, 20, 21)	
	SE	SE	Output terminal common	Common to terminals FUP, FDN and RL		

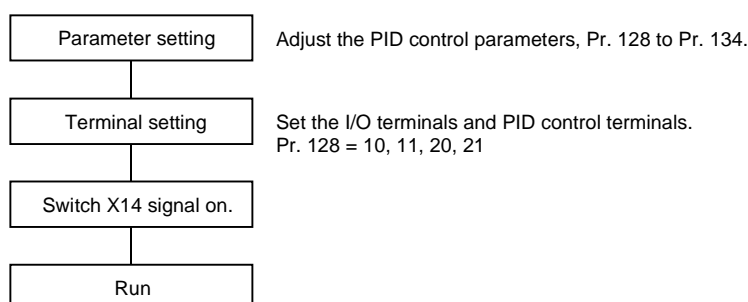
- To start PID control, switch on the X14 signal. When this signal is off, ordinary inverter operation is performed without the PID action being performed.
- Enter the set point across inverter terminals 2-5 or into Pr. 133 and enter the process value signal across inverter terminals 4-5.
- When entering the externally calculated deviation signal, enter it across terminals 1-5. At this time, set "10" or "11" in Pr. 128.

Item	Entry	Description
Set point	Across terminals 2-5	Set 0V as 0% and 5V as 100%. When "1, 3, 5, 11, 13 or 15" is set in Pr. 73 (5V selected for terminal 2).
		Set 0V as 0% and 10V as 100%. When "0, 2, 4, 10, 12 or 14" is set in Pr. 73 (10V selected for terminal 2).
Set point	Pr. 133	Set the set point (%) in Pr. 133.
Deviation signal	Across terminals 1-5	Set -5V as -100%, 0V as 0% and +5V as +100%. When "2, 3, 5, 12, 13 or 15" is set in Pr. 73 (5V selected for terminal 1).
		Set -10V as -100%, 0V as 0% and +10V as +100%. When "0, 1, 4, 10, 11 or 14" is set in Pr. 73 (10V selected for terminal 1).
Process value	Across terminals 4-5	4mADC is equivalent to 0% and 20mADC to 100%.

(5) Parameter setting

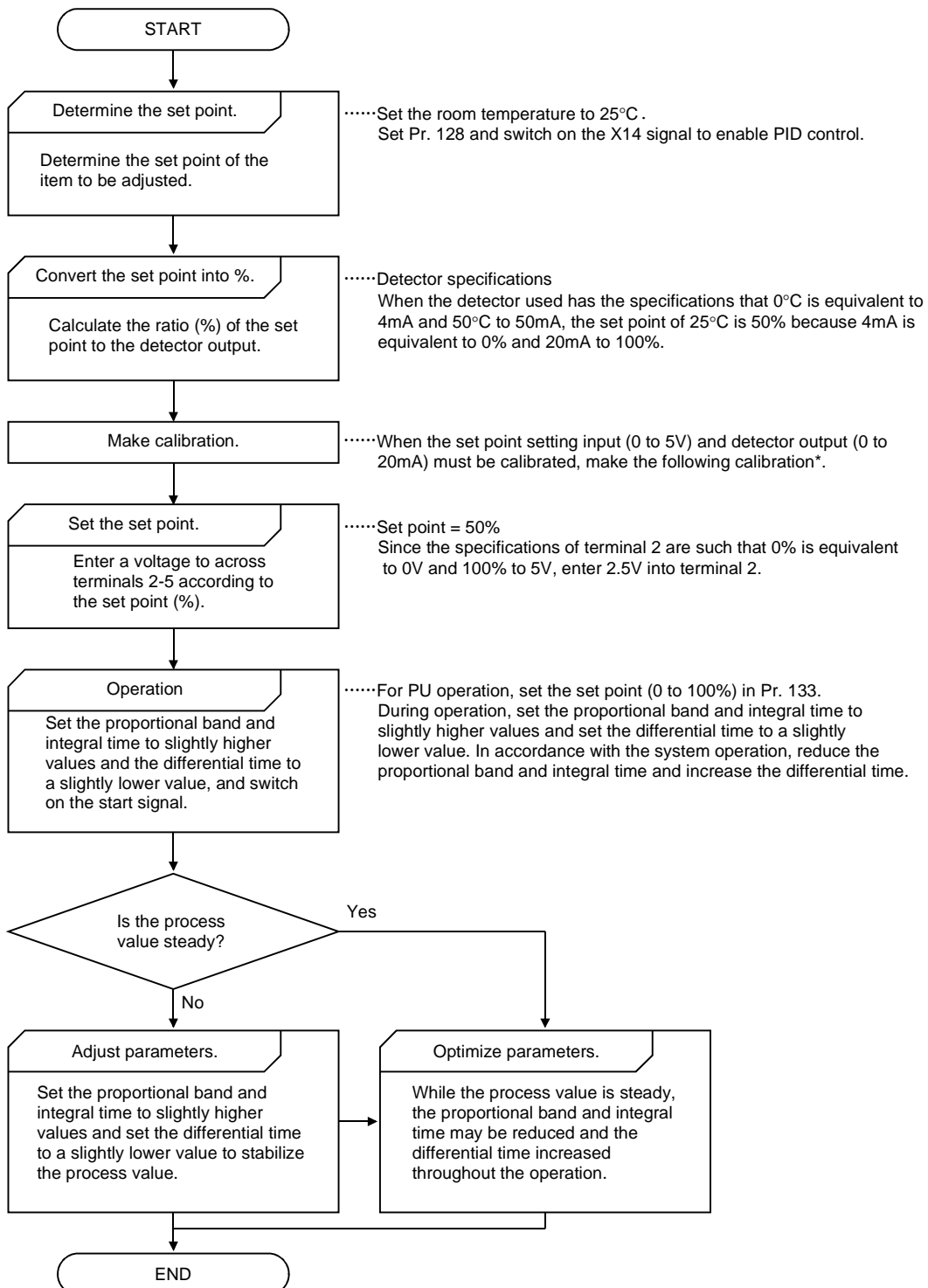
Parameter Number	Setting	Name	Description		
128	10	PID action selection	For heating, pressure control, etc.	Deviation value signal input (terminal 1)	PID reverse action
	11		For cooling, etc.		PID forward action
	20		For heating, pressure control, etc.	Process value input (terminal 4)	PID reverse action
	21		For cooling, etc.		PID forward action
129	0.1 to 1000%	PID proportional band	If the proportional band is narrow (parameter setting is small), the manipulated variable varies greatly with a slight change of the process value. Hence, as the proportional band narrows, the response sensitivity (gain) improves but the stability deteriorates, e.g. hunting occurs. Gain $K_p = 1/\text{proportional band}$		
	9999		No proportional control		
130	0.1 to 3600 s	PID integral time	Time required for the integral (I) action to provide the same manipulated variable as that for the proportional (P) action. As the integral time decreases, the set point is reached earlier but hunting occurs more easily.		
	9999		No integral control.		
131	0 to 100%	Upper limit	Set the upper limit. If the feedback value exceeds the setting, the FUP signal is output. (Process value of 4mA is equivalent to 0% and 20mA to 100%.)		
	9999		No function		
132	0 to 100%	Lower limit	Set the lower limit. (If the process value goes out of the setting range, an alarm can be output. In this case, the process value of 4mA is equivalent to 0% and 20mA to 100%.)		
	9999		No function		
133	0 to 100%	PID action set point for PU operation	Only valid for the PU command in the PU operation or PU/external combined mode. For external operation, the voltage across 2-5 is the set point. (Pr. 902 value is equivalent to 0% and Pr. 903 value to 100%.)		
134	0.01 to 10.00 s	PID differential time	Time only required for the differential (D) action to provide the same process value as that for the proportional (P) action. As the differential time increases, greater response is made to a deviation change.		
	9999		No differential control.		

(6) Adjustment procedure



(7) Calibration example

(A detector of 4mA at 0°C and 20mA at 50°C is used to adjust the room temperature to 25°C under PID control. The set point is given to across inverter terminals 2-5 (0-5V).)



*When calibration is required, use Pr. 902 to Pr. 905 to calibrate the detector output and set point setting input in the PU mode during an inverter stop.

<Set point input calibration>

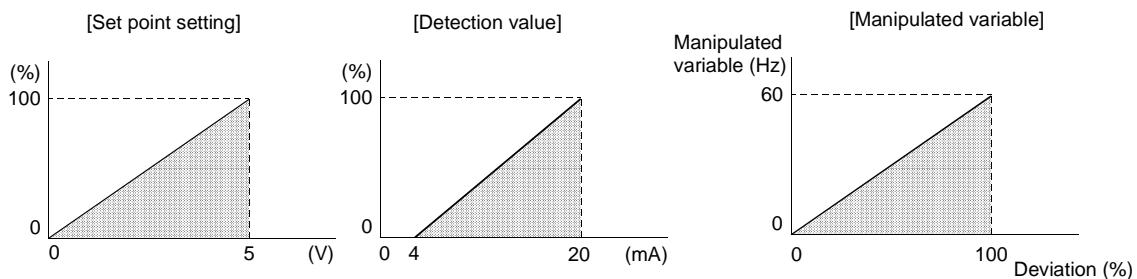
1. Apply the input voltage of 0% set point setting (e.g. 0V) to across terminals 2-5.
2. Make calibration using Pr. 902. At this time, enter the frequency (e.g. 0Hz) which should be output by the inverter at the deviation of 0%.
3. Apply the voltage of 100% set point setting (e.g. 5V) to across terminals 2-5.
4. Make calibration using Pr. 903. At this time, enter the frequency (e.g. 60Hz) which should be output by the inverter at the deviation of 100%.

<Detector output calibration>

1. Apply the output current of 0% detector setting (e.g. 4mA) to across terminals 4-5.
2. Make calibration using Pr. 904.
3. Apply the output current of 100% detector setting (e.g. 20mA) to across terminals 4-5.
4. Make calibration using Pr. 905.

Note: The frequencies set in Pr. 904 and Pr. 905 should be the same as set in Pr. 902 and Pr. 903.

The results of the above calibration are as shown below:



- Note:
1. If the multi-speed (RH, RM, RL) signal or jog operation (jog) signal is entered with the X14 signal on, PID control is stopped and multi-speed or jog operation is started.
 2. When "20" or "21" is set in Pr. 128, note that the input across inverter terminals 1-5 is added to the set point across terminals 2-5.
 3. When "5" (programmed operation mode) is selected for Pr. 79, PID control operation cannot be performed. In this setting, programmed operation is performed.
 4. When "6" (switch-over mode) is selected for Pr. 79, PID is made invalid.
 5. When "9999" is set in Pr. 22, the stall prevention level is the value entered from terminal 1. When using terminal 1 as the edit input terminal for PID, therefore, set a value other than "9999" in Pr. 22.
 6. When the terminal functions are changed using Pr. 180 to Pr. 186 and/or Pr. 190 to Pr. 195, the other functions may be affected. Confirm the functions of the corresponding terminals before making settings.
 7. When PID control is selected, the minimum frequency is the frequency set in Pr. 902 and the maximum frequency is the frequency set in Pr. 903.
(The Pr. 1 "maximum frequency" and Pr. 2 "minimum frequency" settings are also valid.)

4.2.38 Output current detection function (Pr. 150, Pr. 151)

Pr. 150 "output current detection level"

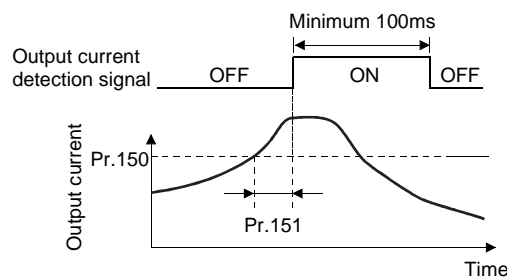
Pr. 151 "output current detection period"

— Related parameters —
Pr. 190 to Pr. 195
(output terminal function selection)

- If the output current remains higher than the Pr. 150 setting during inverter operation for longer than the time set in Pr. 151, the output current detection signal (Y12) is output from the inverter's open collector output terminal.

(Use any of Pr. 190 to Pr. 195 to assign the terminal used for Y12 signal output.)

Parameter Number	Factory Setting		Setting Range	
	FR-B	FR-B3	FR-B	FR-B3
150	150%		0 to 200.0%	
151	0		0 to 10 s	



<Setting>

Refer to the following list and set the parameters:

Parameter Number	Description
150	Set the output current detection level. 100% is the rated inverter current.
151	Set the output current detection time. Set a period of time from when the output current rises to or above the set point to when the output current detection signal (Y12) is output.

Note: 1. Once switched on, the output current detection signal is held on for at least 100ms.
2. When the terminal functions are changed using Pr. 190 to Pr. 195, the other functions may be affected. Confirm the functions of the corresponding terminals before making settings.
3. Valid also during execution of offline auto tuning.

4.2.39 Zero current detection (Pr. 152, Pr. 153)

Pr. 152 "zero current detection level"

Pr. 153 "zero current detection period"

Related parameters
Pr. 190 to Pr. 195
(output terminal function selection)

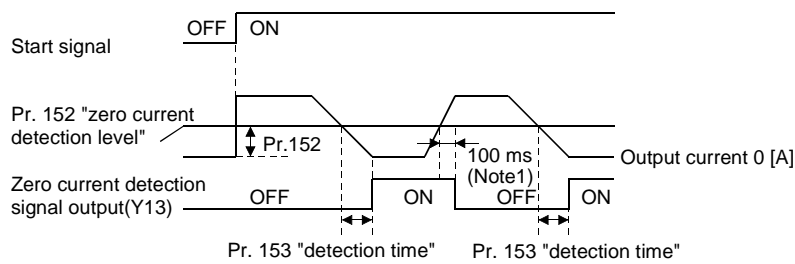
When the inverter's output current falls to "0", torque will not be generated. This may cause a gravity drop when the inverter is used in vertical lift application.

To prevent this, the output current "zero" signal can be output from the inverter to close the mechanical brake when the output current has fallen to "zero".

- If the output current remains lower than the Pr. 152 setting during inverter operation for longer than the time set in Pr. 153, the zero current detection (Y13) signal is output from the inverter's open collector output terminal.

(Use any of Pr. 190 to Pr. 195 to assign the terminal used for Y13 signal output.)

Parameter Number	Factory Setting		Setting Range	
	FR-B	FR-B3	FR-B	FR-B3
152	5.0%		0 to 200.0%	
153	0.5 s		0 to 1 s	



<Setting>

Refer to the following list and set the parameters:

Parameter Number	Description
152	Set the zero current detection level. Set this parameter to define the percentage of the rated current at which the zero current will be detected.
153	Set the zero current detection time. Set a period of time from when the output current drops to or below the Pr. 152 setting to when the zero current detection signal (Y13) is output.

- Note: 1. If the current rises to or above the preset detection level and the condition is not satisfied, the zero current detection signal is held on for about 100ms.
2. When the terminal functions are changed using Pr. 190 to Pr. 195, the other functions may be affected. Confirm the functions of the corresponding terminals before making settings.
3. Valid also during execution of offline auto tuning.

! CAUTION

! The zero current detection level setting should not be too high, and the zero current detection time setting should not be too long. Otherwise, the detection signal may not be output when torque is not generated at a low output current.

! To prevent the machine and equipment from resulting in hazardous conditions by use of the zero current detection signal, install a safety backup such as an emergency brake.

Pr. 154 → Refer to Pr. 22.

4.2.40 RT signal activated condition selection (Pr. 155)

Pr. 155 "RT signal activated condition"

Related parameters

Pr. 44, Pr. 45, Pr. 48, Pr. 49
(second function selection)
Pr. 81 "number of motor poles"
Pr. 180 to Pr. 186
(input terminal function selection)

- Set the condition of activating the RT terminal to select the second control functions by switching on-off the RT signal.

Parameter Number	Factory Setting		Setting Range	
	FR-B	FR-B3	FR-B	FR-B3
155	0		0, 10	

<Setting>

Refer to the following table and set the parameter:

Pr. 155 Setting	Description
0	Made valid immediately by switching the RT signal on-off.
10	Made valid only when the RT signal is on at constant speed. (Invalid during acceleration/deceleration)

4.2.41 Stall prevention function and current limit function (Pr. 156)

Pr. 156 "stall prevention operation selection"

Related parameters

Pr. 22 "stall prevention operation level"
Pr. 23 "stall prevention operation level at double speed"
Pr. 48 "second stall prevention operation frequency"
Pr. 114 "third stall prevention operation current"
Pr. 115 "third stall prevention operation frequency"
Pr. 154 "voltage reduction selection during stall prevention operation"
Pr. 157 "OL signal waiting time"

You can make setting to disable stall prevention caused by overcurrent, make setting to disable the fast-response current limit which limits the current to prevent the inverter from resulting in an overcurrent trip if an excessive current occurs due to sudden load variation or ON-OFF, etc. in the output side of the running inverter, and set the OL signal output delay.

Parameter Number	Factory Setting		Setting Range	
	FR-B	FR-B3	FR-B	FR-B3
156	0		0 to 31, 100, 101	

<Setting>

Refer to the following table and set the parameter as required:

Pr. 156 Setting	Fast-Response Current Limit ○...Activated ●...Not activated	Stall Prevention ○...Activated ●...Not activated			OL Signal Output ○...Operation continued ●...Operation not continued (Note 1)
		Acceleration	Constant speed	Deceleration	
0	○	○	○	○	○
1	●	○	○	○	○
2	○	●	○	○	○
3	●	●	○	○	○
4	○	○	●	○	○
5	●	○	●	○	○
6	○	●	●	○	○
7	●	●	●	○	○
8	○	○	○	●	○
9	●	○	○	●	○
10	○	●	○	●	○
11	●	●	○	●	○
12	○	○	●	●	○
13	●	○	●	●	○
14	○	●	●	●	○
15	●	●	●	●	○
16	○	○	○	○	●
17	●	○	○	○	●
18	○	●	○	○	●
19	●	●	○	○	●
20	○	○	●	○	●
21	●	○	●	○	●
22	○	●	●	○	●
23	●	●	●	○	●
24	○	○	○	●	●
25	●	○	○	●	●
26	○	●	○	●	●
27	●	●	○	●	●
28	○	○	●	●	●
29	●	○	●	●	●
30	○	●	●	●	●
31	●	●	●	●	●
100	Driving	○	○	○	○
	Regenerative	●	●	●	○
101 (Note 3)	Driving	●	○	○	○
	Regenerative	●	●	●	○

Note 1: When "Operation not continued for OL signal output" is selected, the "E.OLT" alarm code (stopped by stall prevention) is displayed and operation stopped.
(Alarm stop display "E.OLT")

2: If the load is heavy, the lift is predetermined, or the acceleration/deceleration time is short, the stall prevention may be activated and the motor not stopped in the preset acceleration/deceleration time. Therefore, set optimum values to the Pr. 156 stall prevention operation level.

(When the output voltage reduces during stall prevention operation, an overcurrent trip will be less liable to occur but the torque decreases. Set "0" in Pr. 154 when the torque may be reduced.)

3: At the setting of "101", the fast-response current limit can be disabled in the driving mode as compared to the setting of "100".

! CAUTION

! Always perform test operation.

Stall prevention operation performed during acceleration may increase the acceleration time.

Stall prevention operation performed during constant speed may cause sudden speed changes.

Stall prevention operation performed during deceleration may increase the deceleration time, increasing the deceleration distance.

4.2.42 OL signal output timer (Pr. 157)

Pr. 157 "OL signal waiting time"

Related parameters

Pr. 190 "RUN terminal function selection"

Pr. 191 "SU terminal function selection"

Pr. 192 "IPF terminal function selection"

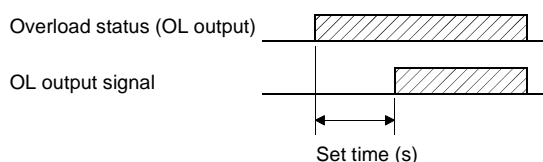
Pr. 193 "OL terminal function selection"

Pr. 194 "FU terminal function selection"

Pr. 195 "A, B, C terminal function selection"

Use this parameter to set whether the overload alarm signal (OL signal) is output immediately or a preset period of time after occurrence of an overload status.

Parameter Number	Factory Setting		Setting Range		Remarks
	FR-B	FR-B3	FR-B	FR-B3	
157	0		0 to 25 s, 9999		9999: No signal output



<Setting>

Refer to the following table and set the parameter:

Pr. 157 Setting	Description
0	Output immediately.
0.1 to 25	Output after the set time (s) have elapsed.
9999	Overload alarm signal is not output.

Pr. 158 → Refer to Pr. 54.

4.2.43 User group selection (Pr. 160, Pr. 173 to Pr. 176)

Pr. 160 "user group read selection"

Pr. 173 "user group 1 registration"

Pr. 174 "user group 1 deletion"

Pr. 175 "user group 2 registration"

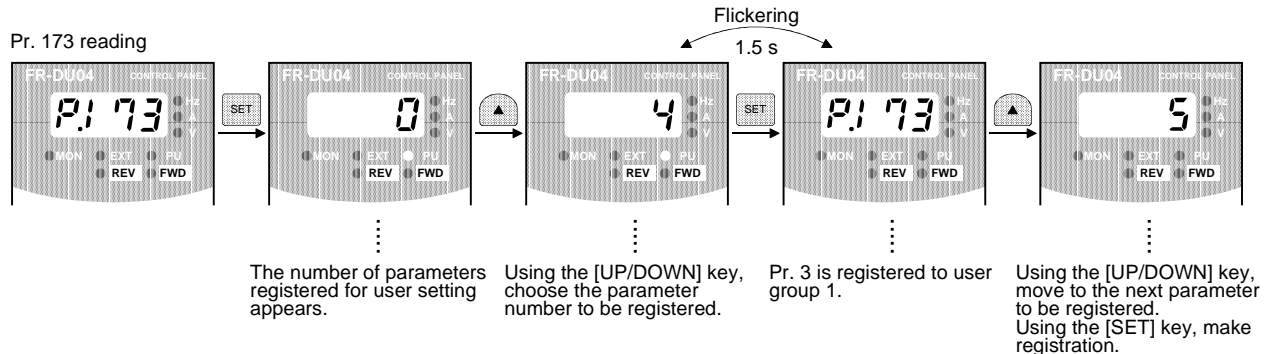
Pr. 176 "user group 2 deletion"

- Pr. 160 "user group read selection" is used to limit the parameters which may be read.
- From among all parameters, a total of 32 parameters can be registered to two different user groups. The registered parameters may only be accessed for reading and writing. Other parameters than those registered to the user groups cannot be read.

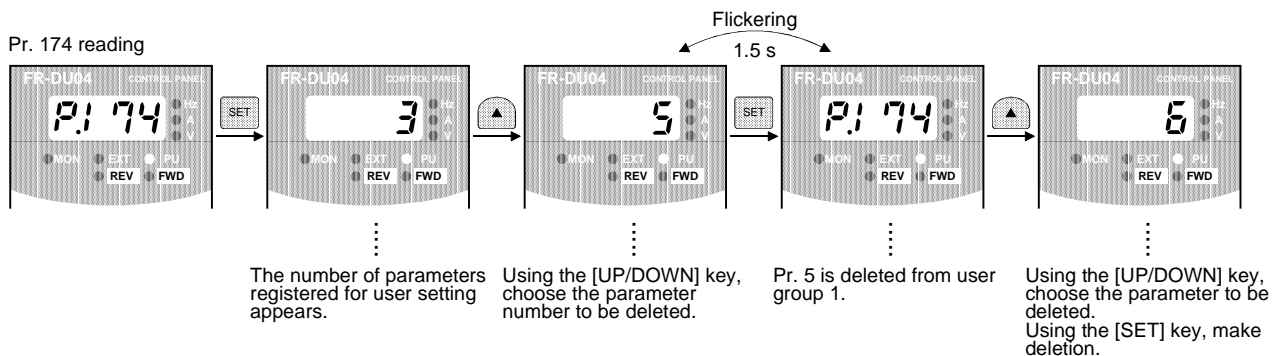
Parameter Number	Factory Setting		Setting Range		Remarks
	FR-B	FR-B3	FR-B	FR-B3	
160	0		0, 1, 10, 11		
173	0		0 to 999		
174	0		0 to 999, 9999		9999: Batch deletion
175	0		0 to 999		
176	0		0 to 999, 9999		9999: Batch deletion

<Examples of use>

(1) Parameter registration to user group (when registering Pr. 4 to user group 1)



(2) Parameter deletion from user group (when deleting Pr. 5 from user group 1)



(3) By setting the required value in Pr. 160, make the user groups valid or invalid.

Pr. 160 Setting	Description
0	All parameters can be accessed for reading and writing (Factory setting)
1	Parameters registered to user group 1 may only be accessed for reading and writing.
10	Parameters registered to user group 2 may only be accessed for reading and writing.
11	Parameters registered to user groups 1 and 2 may only be accessed for reading and writing.

Note: 1. Pr. 77, Pr. 160 and Pr. 991 values can always be read independently of the user group setting.
 2. When Pr. 173 or Pr. 174 is read, the number of parameters registered to user group 1 appears. When Pr. 175 or Pr. 176 is read, the number of parameters registered to user group 2 appears.
 3. "0" set in the second digit of the 2-digit Pr. 160 setting is not displayed. However, it is displayed when "0" is set in the first digit only.
 4. When "9999" is set in Pr. 174 or Pr. 176, the parameters registered to the corresponding user group is batch-deleted.

Pr. 162 to Pr. 165 → Refer to Pr. 57.

4.2.44 Watt-hour meter clear/actual operation hour meter clear (Pr. 170, Pr. 171)

Pr. 170 "watt-hour meter clear"

Pr. 171 "actual operation hour meter clear"

Related parameter

Pr. 52 "DU/PU main display data selection"

You can clear the watt-hour value and actual operation hour monitoring function.

Parameter Number	Factory Setting		Setting Range	
	FR-B	FR-B3	FR-B	FR-B3
170	0		0	
171	0		0	

<Setting>

Write "0" in the parameters to clear the watt-hour value and actual operation hour.

Pr. 173 to Pr. 176 → Refer to Pr. 160.

4.2.45 Input terminal function selection (Pr. 180 to Pr. 186)

Pr. 180 "RL terminal function selection"

Pr. 181 "RM terminal function selection"

Pr. 182 "RH terminal function selection"

Pr. 183 "RT terminal function selection"

Pr. 184 "AU terminal function selection"

Pr. 185 "JOG terminal function selection"

Pr. 186 "CS terminal function selection"

Use these parameters to select/change the input terminal functions.

Parameter Number	Terminal Symbol	Factory Setting		Factory-Set Terminal Function	Setting Range	
		FR-B	FR-B3		FR-B	FR-B3
180	RL	0		Low-speed operation command (RL)	0 to 9, 12, 14, 16, 19, 20, 22, 23, 9999	0 to 99, 9999
181	RM	1		Middle-speed operation command (RM)		
182	RH	2		High-speed operation command (RH)		
183	RT	3		Second function selection (RT)		
184	AU	4		Current input selection (AU)		
185	JOG	5		Jog operation selection (JOG)		
186	CS	6		Automatic restart after instantaneous power failure selection (CS)		

<Setting>

Refer to the following list and set the parameters:

Setting	Signal Name	Functions	Relevant Parameters
0	RL	Pr. 59 = 0 Low-speed operation command	Pr. 4 to Pr. 6 Pr. 24 to Pr. 27 Pr. 232 to Pr. 239
		Pr. 59 = 1, 2 * Remote setting (setting clear)	Pr. 59
		Pr. 79 = 5 * Programmed operation group selection	Pr. 79, Pr. 200, Pr. 201 to Pr. 210, Pr. 211 to Pr. 220, Pr. 221 to Pr. 230, Pr. 231
		Pr. 270 = 1, 3 * Stop-on-contact selection 0	Pr. 270, Pr. 275, Pr. 276
1	RM	Pr. 59 = 0 Middle-speed operation command	Pr. 4 to Pr. 6, Pr. 24 to Pr. 27, Pr. 232 to Pr. 239
		Pr. 59 = 1, 2 * Remote setting (deceleration)	Pr. 59
		Pr. 79 = 5 * Programmed operation group selection	Pr. 79, Pr. 200, Pr. 201 to Pr. 210, Pr. 211 to Pr. 220, Pr. 221 to Pr. 230, Pr. 231
2	RH	Pr. 59 = 0 High-speed operation command	Pr. 4 to Pr. 6, Pr. 24 to Pr. 27, Pr. 232 to Pr. 239
		Pr. 59 = 1, 2 * Remote setting (acceleration)	Pr. 59
		Pr. 79 = 5 * Programmed operation group selection	Pr. 79, Pr. 200, Pr. 201 to Pr. 210, Pr. 211 to Pr. 220, Pr. 221 to Pr. 230, Pr. 231
3	RT	Second function selection	Pr. 44 to Pr. 50
		Pr.270 = 1, 3 * Stop-on-contact selection 1	Pr. 270, Pr. 275, Pr. 276
4	AU	Current input selection	Refer to page 10
5	JOG	Jog operation selection	Pr. 15, Pr. 16
6	CS	Automatic restart after instantaneous power failure selection	Pr. 57, Pr. 58, Pr. 162 to Pr. 165
7	OH	External thermal relay input** The externally provided overheat protection thermal relay, motor-embedded temperature relay or the like is operated to stop the inverter.	Refer to page 174
8	REX	15-speed selection (combination with RL, RM, RH)	Pr. 4 to Pr. 6, Pr. 24 to Pr. 27, Pr. 232 to Pr. 239
9	X9	Third function	Pr. 110 to Pr. 116
10	X10	FR-HC connection (inverter operation enable)	Pr. 30, Pr. 70
11	X11	FR-HC connection (instantaneous power failure detection)	Pr. 30, Pr. 70
12	X12	PU operation external interlock	Pr. 79
13	X13	External DC dynamic braking start	Pr. 10 to Pr. 12
14	X14	PID control valid terminal	Pr. 128 to Pr. 134
15	BRI	Brake opening completion signal	Pr. 278 to Pr. 285
16	X16	PU-external operation switch-over	Pr. 79
17	X17	Load pattern selection forward/reverse rotation boost	Pr. 14
18	X18	Advanced magnetic flux vector-V/F switch-over	Pr. 80, Pr. 81, Pr. 89
19	X19	Load torque high-speed frequency	Pr. 271 to Pr. 274
20	X20	S-pattern acceleration/deceleration C switch-over terminal (only when FR-A5AP option is fitted)	Pr. 380 to Pr. 383
22	X22	Orientation command (Note 8) (only when FR-A5AP option is fitted)	Pr. 350 to Pr. 369
23	LX	Pre-excitation (Note 9) (only when FR-A5AP option is fitted)	Pr. 80, Pr.81, Pr. 359, Pr. 369, Pr. 370
9999		No function	

*: When Pr. 59 = "1 or 2", Pr. 79 = "5", and Pr. 270 = "1 or 3", the functions of the RL, RM, RH and RT signals change as listed above.

** : Operated when the relay contact "opens".

- Note:
1. One function can be assigned to two or more terminals. In this case, the terminal inputs are OR'ed.
 2. The speed command priorities are higher in order of jog, multi-speed setting (RH, RM, RL) and AU.
 3. When HC connection (inverter operation enable signal) is not selected, the MRS terminal shares this function. When using the FR-HC, the explosion-proof certification test is required separately.
 4. Do not use advanced magnetic flux vector-V/F switch-over (X18). In addition, the load pattern selection forward/reverse rotation boost (X17) does not function.
 5. Use common terminals to assign programmed operation group selection, multi-speeds (7 speeds) and remote setting. They cannot be set individually.
(Common terminals are used since these functions are designed for speed setting and need not be set at the same time.)
 6. Stop-on-contact control selection, Pr. 270 = "1 or 3", shares RT with multi-speed setting (low speed), and its allocation cannot be changed.
 7. When "7" is set in Pr. 79 and the PU operation external interlock (X12) signal is not assigned, the MRS signal acts as this function.
 8. When a stop position is entered externally for orientation control, the FR-A5AX (12-bit digital input) is required.
 9. Made valid when vector control servo lock is set valid.
 10. When using orientation control, the explosion-proof certification test is required separately depending on the application.

4.2.46 Output terminal function selection (Pr. 190 to Pr. 195)

Pr. 190 "RUN terminal function selection"

Pr. 191 "SU terminal function selection"

Pr. 192 "IPF terminal function selection"

Pr. 193 "OL terminal function selection"

Pr. 194 "FU terminal function selection"

Pr. 195 "A, B, C terminal function selection"

You can change the functions of the open collector and contact output terminals.

Parameter Number	Terminal Symbol	Factory Setting		Factory-Set Terminal Function	Setting Range	
		FR-B	FR-B3		FR-B	FR-B3
190	RUN	0		Inverter running	0 to 16, 21 to 31, 34 to 116, 121 to 131, 134 to 199, 9999	0 to 199, 9999
191	SU	1		Up to frequency		
192	IPF	2		Instantaneous power failure/undervoltage		
193	OL	3		Overload alarm		
194	FU	4		Output frequency detection		
195	A, B, C	99		Alarm output		

<Setting>

Refer to the following table and set the parameters:

Setting		Signal Name	Function	Operation	Related parameter
Positive logic	Negative logic				
0	100	RUN	Inverter running	Output during operation when the inverter output frequency rises to or above the starting frequency.	—
1	101	SU	Up to frequency	Refer to Pr. 41 "up-to-frequency sensitivity". (Note 2)	Pr. 41
2	102	IPF	Instantaneous power failure or undervoltage	Output when an instantaneous power failure or undervoltage occurs.	—
3	103	OL	Overload alarm	Output while stall prevention function is activated.	Pr. 22, Pr. 23, Pr. 66, Pr. 148, Pr. 149, Pr. 154
4	104	FU	Output frequency detection	Refer to Pr. 42, Pr. 43 (output frequency detection).	Pr. 42, Pr. 43
5	105	FU2	Second output frequency detection	Refer to Pr. 50 (second output frequency detection).	Pr. 50
6	106	FU3	Third output frequency detection	Refer to Pr. 116 (third output frequency detection).	Pr. 116
7	107	RBP	Regenerative brake pre-alarm	Output when 85% of the regenerative brake duty set in Pr. 70 is reached.	Pr. 70
8	108	THP	Electronic overcurrent protection pre-alarm	Output when the cumulative electronic overcurrent protection value reaches 85% of the preset level.	Pr. 9
9	109	PRG	Programmed mode	Output in the programmed mode. (Note 3)	Pr. 79, Pr. 200 to Pr. 231
10	110	PU	PU operation mode	Output when the PU operation mode is selected.	—
11	111	RY	Inverter operation ready	Output when the inverter can be started by switching the start signal on or while it is running.	—
12	112	Y12	Output current detection	Refer to Pr. 150 and Pr. 151 (output current detection).	Pr. 150, Pr. 151
13	113	Y13	Zero current detection	Refer to Pr. 152 and Pr. 153 (zero current detection).	Pr. 152, Pr. 153
14	114	FDN	PID lower limit	Refer to Pr. 128 to Pr. 134 (PID control).	Pr. 128 to Pr. 134
15	115	FUP	PID upper limit		
16	116	RL	PID forward-reverse rotation output		

PARAMETERS

Setting		Signal Name	Function	Operation	Related parameter
Positive logic	Negative logic				
17	—	MC1	Commercial power supply-inverter switch-over MC1	Refer to Pr. 135 to Pr.139 (commercial power supply-inverter switch-over).	Pr. 135 to Pr. 139
18	—	MC2	Commercial power supply-inverter switch-over MC2		
19	—	MC3	Commercial power supply-inverter switch-over MC3		
20	120	BOF	Brake opening request	Refer to Pr. 278 to Pr. 285 (brake sequence functions).	Pr. 278 to Pr. 285
25	125	FAN	Fan fault output	Output when a fan fault occurs.	Pr. 244
26	126	FIN	Fin overheat pre-alarm	Output when the heat sink temperature reaches about 85% of the fin overheat protection temperature.	—
27	127	ORA	In-position	When orientation is valid (only when FR-A5AP option is loaded)	—
28	128	ORM	Orientation error		
29	129	Y29	Overspeed detection	For PLG feedback control, vector control (only when the FR-A5AP option is loaded)	
30	130	Y30	Forward running output		
31	131	Y31	Reverse running output		
32	132	Y32	Regeneration status output	For vector control (only when the FR-A5AP option is loaded)	
33	133	RY2	Operation ready 2		
98	198	LF	Minor fault output	Output when a minor fault occurs. (Refer to page 174.)	—
99	199	ABC	Alarm output	Output when the inverter's protective function is activated to stop the output (major fault).	—
9999	—	—	No function	—	—

0 to 99: Positive logic
100 to 199: Negative logic

- Note: 1. Under PLG feedback control (when the FR-A5AP option is loaded), the operations of the up-to-frequency SU and frequency detection FU, FU2, FU3 are as follows:
 SU, FU: The actual speed (frequency) provided by the PLG feedback signal is output at or above the frequency specified for detection.
 FU, FU3: The inverter output frequency is output at or above the frequency specified for detection.
2. When the frequency setting is varied with the analog signal or the [UP/DOWN] key of the operation panel, note that the output of the SU (up-to-frequency) signal may alternate between ON and OFF due to that varying speed and the timing of the varying speed dependent on the acceleration/deceleration time setting.
 3. This signal is output when "5" is set in Pr. 79 "operation mode selection" and the external operation mode is selected (the inverter goes into the programmed mode).
 4. The same function may be set to more than one terminal.
 5. When the function is activated, the terminal conducts with the settings of 0 to 99 and does not conduct with the settings of 100 to 199.
 6. Pr. 190 to Pr. 195 do not function if the values set are other than the above.
 7. When Pr. 76 = 1 or 3, the output signals of the SU, IPF, OL and FU output terminals conform to Pr. 76. When an inverter alarm occurs, the signal outputs are switched over to alarm code outputs.
 8. The output assignment of the RUN terminal and alarm output relay conforms to the above setting independently of Pr. 76.

4.2.47 User's initial value setting (Pr. 199)

Pr. 199 "user's initial value setting"

Related parameter
Pr. 77 "parameter write disable selection"

Among the parameters, you can set user-only parameter initial values. These values may be set to 16 parameters.

By performing user clear operation from the operation panel or parameter unit, you can initialize the parameters to the user-set initial values. Note that the parameters of which initial values have not been set are initialized to the factory settings by user clear operation.

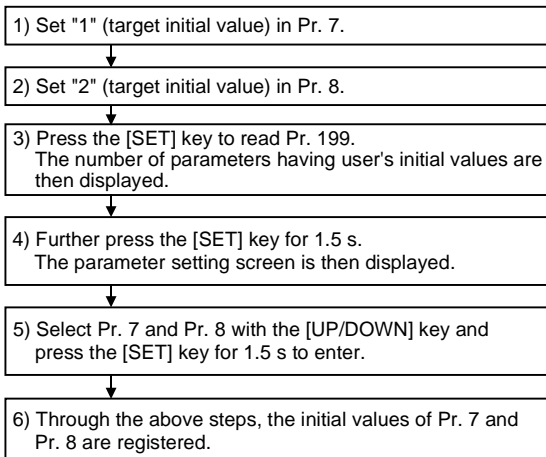
- You can read the user's initial value list in the help mode of the parameter unit (FR-PU04).

Parameter Number	Factory Setting		Setting Range	
	FR-B	FR-B3	FR-B	FR-B3
199	0		FR-B	FR-B3
			0 to 999, 9999	

The read Pr. 199 value is displayed as the number of parameters registered.

<Setting example>

- (1) To set "1" in Pr. 7 and "2" in Pr. 8 as user's initial values. (Operation from the FR-DU04)



The settings of the parameters whose numbers are set in Pr. 199 (i.e. Pr. 7 = 1, Pr. 8 = 2 in the above example) are user's initial values.

- (2) Deletion of user's initial values

By writing "9999" to Pr. 199 (and pressing the [SET] key for 1.5 s), the user's initial values registered are batch-deleted.

- Note:
- When user's initial values for Pr. 902 to Pr. 905 are set, one parameter uses the area of two parameters for registration.
 - As this setting is concerned with user-cleared initial values, the parameter numbers, which cannot be cleared, cannot be set.
 - The operation panel (FR-DU04) cannot be used to refer to user's initial values.
 - Values cannot be registered to Pr. 201 to Pr. 231.

4.2.48 Programmed operation function (Pr. 200 to Pr. 231)

Pr. 200 "programmed operation minute/second selection"

Related parameters
Pr. 76 "alarm code output selection"
Pr. 79 "operation mode selection"

Pr. 201 to Pr. 210 "program set 1 1 to 10"

Pr. 211 to Pr. 220 "program set 2 11 to 20"

Pr. 221 to Pr. 230 "program set 3 21 to 30"

Pr. 231 "timer setting"

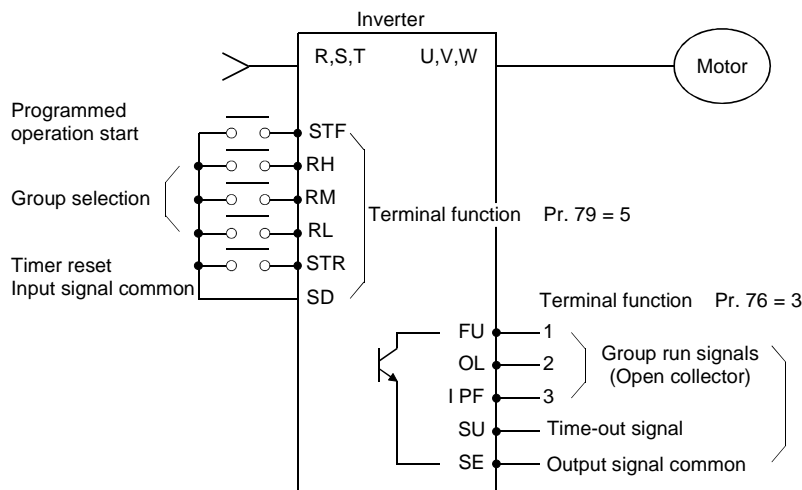
In programmed operation, automatic operation is performed under the control of the internal timer in accordance with the preset time of day, running frequency and rotation direction.

- This function is made valid when the following parameter is set to the following value:
 - Pr. 79 = "5" (programmed operation)
- You can select the time unit for programmed operation between "minute/second" and "hour/minute".
- The start time of day, rotation direction and running frequency are defined as one point and every 10 points are grouped into three:
 - Group 1: Pr. 201 to Pr. 210
 - Group 2: Pr. 211 to Pr. 220
 - Group 3: Pr. 221 to Pr. 230
- Use Pr. 231 to set the time of day when programmed operation is started.

Parameter Number	Factory Setting		Setting Range		Remarks
	FR-B	FR-B3	FR-B	FR-B3	
200	0		0 to 3		0, 2 [minute/second] 1, 3 [hour/minute]
201 to 210	0,9999,0		0 to 2 0 to 120/0 to 60, 9999 0 to 99.59	0 to 2 0 to 400, 9999 0 to 99.59	0 to 2: Rotation direction 0 to 120/0 to 60, 9999, 0 to 400: Frequency (22K or less/30K or more) 0 to 99.59: Time
211 to 220	0,9999,0		0 to 2 0 to 120/0 to 60, 9999 0 to 99.59	0 to 2 0 to 400, 9999 0 to 99.59	0 to 2: Rotation direction 0 to 120/0 to 60, 9999, 0 to 400: Frequency (22K or less/30K or more) 0 to 99.59: Time
221 to 230	0,9999,0		0 to 2: Rotation direction 0 to 120/0 to 60, 9999: Frequency 0 to 99.59: Time	0 to 2 0 to 400, 9999 0 to 99.59	0 to 2: Rotation direction 0 to 120/0 to 60, 9999, 0 to 400: Frequency (22K or less/30K or more) 0 to 99.59: Time
231	0		0 to 99.59		

<Wiring example>

- For sink logic



<Setting>

(1) Set the time unit for programmed operation in Pr. 200. Select either of "minute/second" and "hour/minute".

Setting	Description
0	Minute/second unit (voltage monitor)
1	Hour/minute unit (voltage monitor)
2	Minute/second unit (reference time of day monitor)
3	Hour/minute unit (reference time of day monitor)

Note: 1. When "2" or "3" is set in Pr. 200, the reference time-of-day monitor screen is displayed instead of the voltage monitor screen.
 2. Note that when the Pr. 200 setting is changed, the units for Pr. 201 to Pr. 231 setting will change.

(2) The inverter has an internal timer (RAM). When the reference time of day is set in Pr. 231, programmed operation is started at this time of day.

1) Setting range

The time unit depends on the Pr. 200 setting.

Pr. 200 Setting	Pr. 231 Setting Range	Pr. 200 Setting	Pr. 231 Setting Range
0	Maximum 99 minutes 59 seconds	2	Maximum 99 minutes 59 seconds
1	Maximum 99 hours 59 minutes	3	Maximum 99 hours 59 minutes

Note: The reference time-of-day timer returns to "0" when both the start signal and group select signal are entered. Set the reference time of day in Pr. 231 when both signals are on.

2) Resetting the reference time of day

The reference time of day is cleared by switching on the timer reset signal (STR) or by resetting the inverter. Note that the reference time-of-day value set in Pr. 231 is also reset to "0".

(3) Program setting

The rotation direction, running frequency and start time of day can be set by using Pr. 201 to Pr. 230.

Setting Point	Rotation Direction, Frequency, Start Time of Day
Group 1	No.1 Pr. 201
	2 Pr. 202
	3 Pr. 203
	4 Pr. 204
	.
	.
	10 Pr. 210
Group 2	No.11 Pr. 211
	.
	.
	20 Pr. 220
Group 3	No.21 Pr. 221
	.
	.
	30 Pr. 230

Parameter Number	Name	Setting Range		Factory Setting		Remarks
		FR-B	FR-B3	FR-B	FR-B3	
201 to 230	Programmed operation minute/second selection	0 to 2		0		Rotation direction setting 0: Stop, 1: Forward rotation, 2: Reverse rotation
		0 to 120Hz/ 0 to 60Hz	0 to 400Hz	9999		Frequency setting (22K or less/30K or more)
		0 to 99:59		0		Time of day setting

<Setting procedure>

(Example: Set point No. 1, forward rotation, 30Hz, 4 hours 30 minutes)

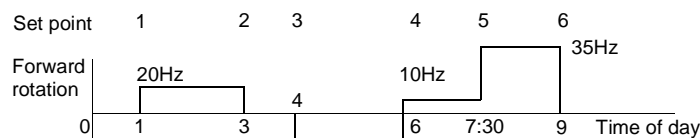
- 1) Read Pr. 201 value.
- 2) Enter "1" (forward rotation) in Pr. 201 and press the [SET] key ([WRITE] key when using the FR-PU04 parameter unit).
- 3) Enter 30 (30Hz) and press the [SET] key ([WRITE] key when using the FR-PU04 parameter unit). (Note 1)
- 4) Enter "4.30" and press the [SET] key ([WRITE] key when using the FR-PU04 parameter unit). (Note 2)
- 5) Press the [UP] key to move to the next parameter (Pr. 202), and press the [SET] key ([READ] key when using the FR-PU04 parameter unit) to display the current setting. Hereafter, press the [UP] key to advance the parameter one by one.

Note 1: To make a stop, write "0" in the rotation direction and frequency. Set "9999" for no setting.
 2: An error will result if 4.80 is entered (59 minutes or 59 seconds is exceeded).

- Assuming that operation has been programmed as indicated in the following table, the operation pattern is as shown in the figure below:

No.	Operation	Parameter Setting
1	Forward rotation, 20Hz, 1 hour 0 minutes	Pr. 201 = 1, 20, 1:00
2	Stop, 3 hours 0 minutes	Pr. 202 = 0, 0, 3:00
3	Reverse rotation, 30Hz, 4 hours 0 minutes	Pr. 203 = 2, 30, 4:00
4	Forward rotation, 10Hz, 6 hours 0 minutes	Pr. 204 = 1, 10, 6:00
5	Forward rotation, 35Hz, 7 hours 30 minutes	Pr. 205 = 1, 35, 7:30
6	Stop, 9 hours 0 minutes	Pr. 206 = 0, 0, 9:00

<Operation pattern>



(4) Input signals

Name	Description	Signal Level	Remarks
Group signal RH (group 1) RM (group 2) RL (group 3)	Used to select the group for programmed operation.	Photocoupler isolated	May also be driven by transistor. When $i_c = 10\text{mA}$, $V_{ec} < 0.5\text{V}$ should be satisfied.
Timer reset signal (STR)	Input to zero the reference time of day.		
Programmed operation start signal (STF)	Input to start programmed operation.		

(5) Output signals

Name	Description	Signal Level	Remarks
Time-out signal (SU)	Output on completion of the operation of the selected group and cleared on timer reset.	Open collector output (isolated)	Permissible load 24VDC, 0.1A Only when Pr. 76 = 3
Group select signals (FU, OL, IPF)	Output during running of corresponding group's program and cleared on timer reset.		

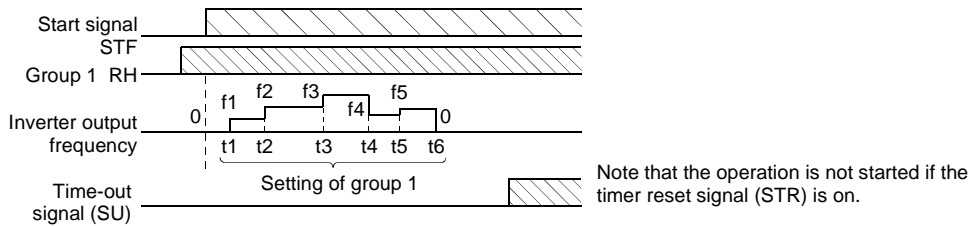


(6) Operation

1) Ordinary operation

After completion of all preparations and settings, turn on the desired group select signal (any of RH (group 1), RM (group 2) and RL (group 3)), then turn on the start signal (STF). This causes the internal timer (reference time of day) to be reset automatically and the operation of that group to be performed in sequence in accordance with the settings. When the operation of the group ends, a signal is output from the time-out output terminal. (The open collector signal of SU is turned on.)

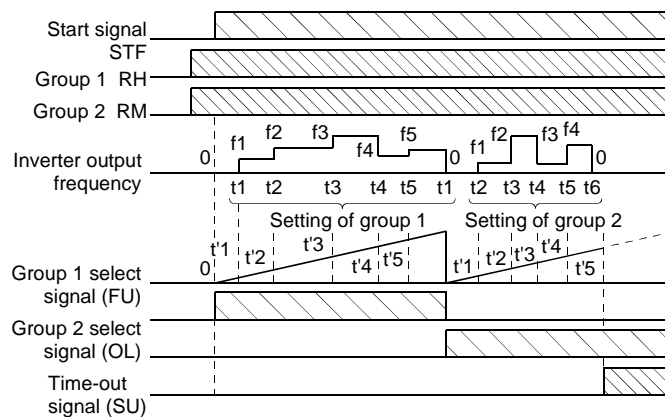
Note: Use the programmed operation function with "5" set in Pr. 79. Programmed operation will not be performed if any of the group select signals is switched on during PU operation or data link operation.



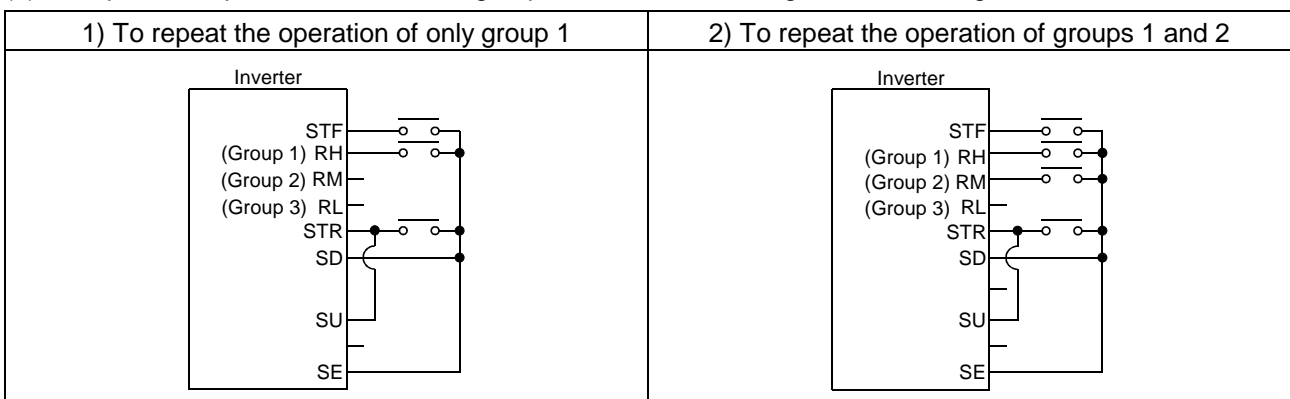
2) Multi-group select operation

When two or more groups are selected at the same time, the operations of the selected groups are executed in sequence of group 1, group 2 and group 3.

For example, if group 1 and group 2 have been selected, the operation of group 1 is first carried out, and after that operation ends, the reference time of day is reset, the operation of group 2 is started, and the time-out signal (SU) is output after the operation of group 2 ends.



(7) To repeat the operation of the same group, reset the timer using the time-out signal as shown below.



Note: 1. If the inverter power is switched off, then on (including an instantaneous power failure) during the execution of the programmed operation, the internal timer is reset and the inverter does not restart if the power is restored.

To resume the operation, turn the programmed operation start signal (STF) off, then on. (At this time, when it is required to set the reference time of day, switch the start signal on before setting.)

2. When the inverter is wired for programmed operation specifications, the following signals are invalid: AU, STOP, 2, 4, 1, JOG
3. During programmed operation, the inverter cannot be operated in any other mode. When the programmed operation start signal (STF) and timer reset signal (STR) are ON, the operation mode cannot be switched between PU operation and external operation.

Pr. 232 to Pr. 239 → Refer to Pr. 4.

Pr. 240 → Refer to Pr. 72.

4.2.49 Cooling fan operation selection (Pr. 244)

Pr. 244 "cooling fan operation selection"

You can control the operation of the cooling fan built in the inverter.

Whether there is the cooling fan or not depends on the model. Refer to the standard specifications (page 194).

Parameter Number	Factory Setting		Setting Range	
	FR-B	FR-B3	FR-B	FR-B3
244	0		0, 1	

<Setting>

Setting	Description
0	Operated at power on (independently of whether the inverter is running or at a stop).
1	Cooling fan on-off control valid (The cooling fan is always on while the inverter is running. During a stop, the inverter status is monitored and the fan switches on-off according to temperature.)

<Reference>

In either of the following cases, fan operation is regarded as faulty, [FN] is shown on the operation panel, and the fan fault (FAN) and light fault (LF) signals are output. Use Pr. 190 to Pr. 195 (multi-function outputs) to allocate the terminals used to output the FAN and LF signals.

1) Pr. 244 = "0"

When the fan comes to a stop with power on.

2) Pr. 244 = "1"

When the fan stops during the fan ON command while the inverter is running, or when the fan starts during the fan OFF command.

Note: When the terminal functions are changed using Pr. 190 to Pr. 195, the other functions may be affected. Confirm the functions of the corresponding terminals before making setting.

4.2.50 Stop selection (Pr. 250)

Pr. 250 "stop selection"

Related parameters

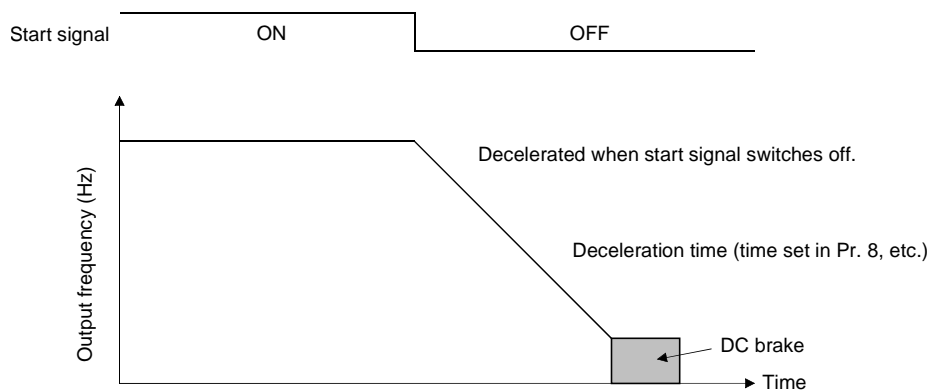
- Pr. 7 "acceleration time"
- Pr. 8 "deceleration time"
- Pr. 44 "second acceleration/deceleration time"
- Pr. 45 "second deceleration time"
- Pr. 110 "third acceleration/deceleration time"
- Pr. 111 "third deceleration time"

Used to select the stopping method (deceleration to a stop or coasting) when the start signal (STF/STR) switches off.

Parameter Number	Factory Setting		Setting Range	
	FR-B	FR-B3	FR-B	FR-B3
250	9999		0 to 100 s, 9999	

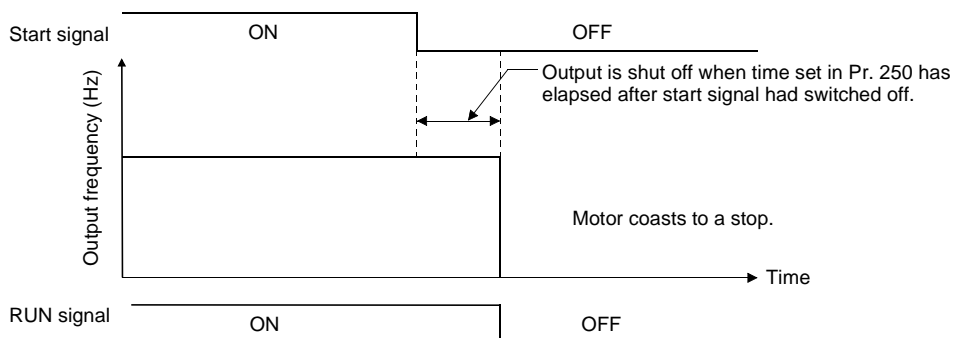
(1) Pr. 250 = "9999"

When the start signal switches off, the motor is decelerated to a stop.



(2) Pr. 250 = other than "9999" (Output is shut off after the set time has elapsed)

The output is shut off when the time set in Pr. 250 has elapsed after the start signal had switched off. The motor coasts to a stop.



Note: 1. The RUN signal switches off when the output stops.
 2. When the start signal is switched on again during motor coasting, the motor starts at 0Hz.

4.2.51 Output phase failure protection selection (Pr. 251)

Pr. 251 "Output phase failure protection selection"

You can make invalid the output phase failure protection (E.LF) function which stops the inverter output if one of the three phases (U, V, W) on the inverter's output side (load side) becomes open.

Parameter Number	Setting Range		Minimum Setting Increments	Factory Setting		Description
	FR-B	FR-B3		FR-B	FR-B3	
251	0, 1		1	1		0: Without output phase failure protection 1: With output phase failure protection

4.2.52 Override bias/gain (Pr. 252, Pr. 253)

Pr. 252 "override bias"

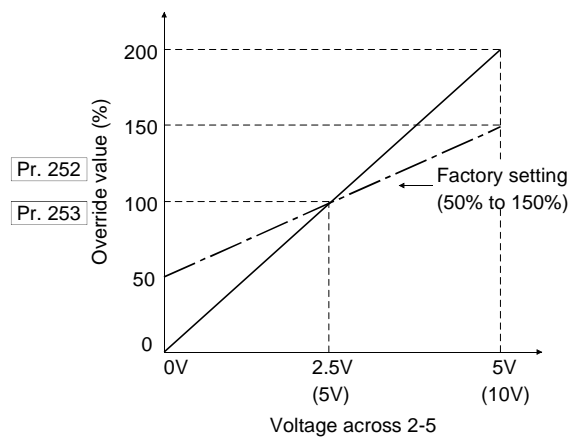
Pr. 253 "override gain"

Related parameters

Pr. 73 "0-5V/0-10V selection"

You can extend the 50% to 150% override range (to 0% to 200%), which is covered when Pr. 73 "0-5V/0-10V selection" is used to select the override, and set the override value as desired.

Parameter Number	Setting Range		Minimum Setting Increments	Factory Setting	
	FR-B	FR-B3		FR-B	FR-B3
252	0 to 200%		0.1%	50%	
253	0 to 200%		0.1%	150%	



4.2.53 Power failure-time deceleration-to-stop function (Pr. 261 to Pr. 266)

Pr. 261 "power failure stop selection"

Pr. 262 "subtracted frequency at deceleration start"

Pr. 263 "subtraction starting frequency"

Pr. 264 "power-failure deceleration time 1"

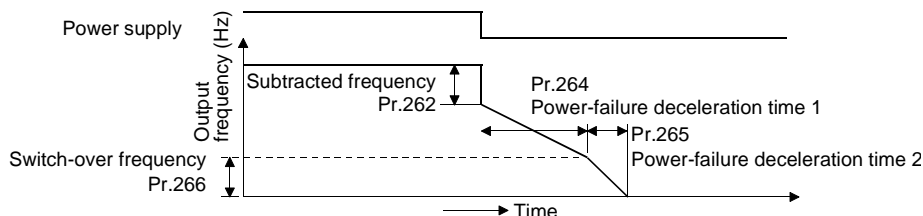
Pr. 265 "power-failure deceleration time 2"

Pr. 266 "power-failure deceleration time switch-over frequency"

Related parameter
Pr. 20 "acceleration/deceleration reference frequency"

When an instantaneous power failure or undervoltage occurs, the inverter can be decelerated to a stop.
 ● Remove the jumpers from across terminals R-R1 and terminals S-S1, and connect terminal R1 to terminal P, and terminal S1 to terminal N.

Parameter Number	Factory Setting		Setting Range		Remarks
	FR-B	FR-B3	FR-B	FR-B3	
261	0		0, 1		
262	3Hz		0 to 20Hz		
263	60Hz		0 to 120Hz/0 to 60Hz, 9999	0 to 120Hz, 9999	22K or less/30K or more
264	5 s		0 to 3600/0 to 360 s		
265	9999		0 to 3600/0 to 360 s, 9999		
266	60Hz		0 to 120Hz/0 to 60Hz	0 to 400Hz	22K or less/30K or more



<Setting>

Parameter Number	Setting		Description
	FR-B	FR-B3	
261	0		Coasting to stop When undervoltage or power failure occurs, the inverter output is shut off.
	1		When undervoltage or power failure occurs, the inverter is decelerated to a stop.
262	0 to 20Hz		Normally, operation can be performed with the factory setting unchanged. The frequency can be adjusted within the range 0 to 20Hz according to the load specifications (inertia moment, torque).
	0 to 120Hz/ 0 to 60Hz	0 to 120Hz	If the output frequency at occurrence of undervoltage or power failure is equal to or greater than the frequency set in Pr. 263, deceleration starts at the value found by subtracting the frequency set in Pr. 262 from the output frequency at that time. If the output frequency at occurrence of undervoltage or power failure is less than the frequency set in Pr. 263, the inverter is decelerated to a stop, starting at the output frequency at that time.
263	9999		The inverter is decelerated to a stop, starting at the value found by subtracting the frequency set in Pr. 262 from the output frequency at occurrence of undervoltage or power failure.
	Pr. 21 = 0	0 to 3600 s	Set a deceleration slope down to the frequency set in Pr. 266. Set the slope in terms of time required for deceleration from the frequency set in Pr. 20 to 0Hz.
Pr. 21 = 1	0 to 360 s		
264	Pr. 21 = 0	0 to 3600 s	Set a deceleration slope below the frequency set in Pr. 266. Set the slope in terms of time required for deceleration from the frequency set in Pr. 20 to 0Hz.
	Pr. 21 = 1	0 to 360 s	
265	9999		Same slope as in Pr. 264
266	0 to 120Hz/ 0 to 60Hz	0 to 400Hz	Set the frequency at which the deceleration slope is switched from the Pr. 264 setting to the Pr. 265 setting.

- Note: 1. This function is invalid when the automatic restart after instantaneous power failure function is activated.
2. If (output frequency at occurrence of undervoltage or power failure) minus (frequency set in Pr. 262) is negative, the calculation result is regarded as 0Hz.
 3. The power failure stop function is not activated during a stop or error.
 4. If power is restored during deceleration, the inverter is kept decelerating to a stop. To restart, switch off the start signal once, then switch it on again.
 5. This function is invalid when the high power factor converter is used (Pr. 30 = 2).

! CAUTION

**! If power-failure deceleration operation is set, some loads may cause the inverter to trip and the motor to coast.
If the motor does not give enough regenerative energy, the motor will coast.**

4.2.54 Stop-on-Contact, Load torque high-speed frequency selection (Pr. 270)

Pr. 270 "stop-on-contact/load torque high-speed frequency control selection"

Related parameters

- Pr. 271 "high-speed setting maximum current"
- Pr. 272 "mid-speed setting minimum current"
- Pr. 273 "current averaging range"
- Pr. 274 "current averaging filter constant"
- Pr. 275 "stop-on-contact exciting current low-speed multiplying factor"
- Pr. 276 "stop-on-contact PWM carrier frequency"

Load torque high-speed frequency control automatically sets the maximum operating frequency according to the load.

Specifically, the weight of the load is determined after a start by the average current at a given time; when the load is light, the preset frequency can be increased for operation.

When the load is light, speed can be automatically increased in a sky parking lot, for example, to reduce incoming and outgoing times.

- Using Pr. 270, select high-speed frequency control (control, which automatically switches between high- and middle-speed operations according to load torque).
- Refer to Pr. 275 and Pr. 276 when you selected stop-on-contact control for the FR-B3 series.
 - For function details of load torque high-speed frequency control, refer to Pr. 271 to Pr. 274.

Parameter Number	Factory Setting		Setting Range		Description
	FR-B	FR-B3	FR-B	FR-B3	
270	0		0	0	Without stop-on-contact control and load torque high-speed frequency control
			—	1	Stop-on-contact control
			2	2	Load torque high-speed frequency control
			—	3	Stop-on-contact + load torque high-speed frequency control

Stop-on-contact control is not available for the FR-B series.

4.2.55 High-speed frequency control (Pr. 271 to Pr. 274)

Pr. 271 "high-speed setting maximum current"

Pr. 272 "mid-speed setting minimum current"

Pr. 273 "current averaging range"

Pr. 274 "current averaging filter constant"

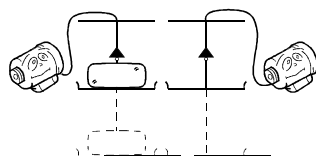
Related parameters

- Pr. 4 "multi-speed setting (high speed)"
- Pr. 5 "multi-speed setting (middle speed)"
- Pr. 6 "multi-speed setting (low speed)"
- Pr. 59 "remote setting function selection"
- Pr. 180 to Pr. 186 (input terminal function selection)
- Pr. 270 "stop-on-contact/load torque high-speed frequency control selection"

● Used to set the current, averaging range, etc. required when "2" is set in Pr. 270 to select load torque high-speed frequency control.

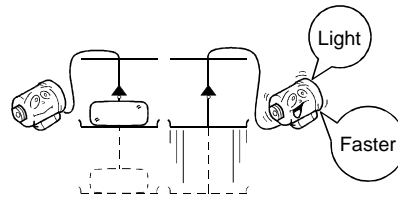
Parameter Number	Factory Setting		Setting Range		Remarks
	FR-B	FR-B3	FR-B	FR-B3	
271	50%		0 to 200%		
272	100%		0 to 200%		
273	9999		0 to 120Hz/0 to 60Hz, 9999	0 to 400Hz, 9999	22K or less/30K or more
274	16		1 to 4000		

<Without high-speed frequency control>



Whether there is a load or not, the lift is moved vertically at the same speed.

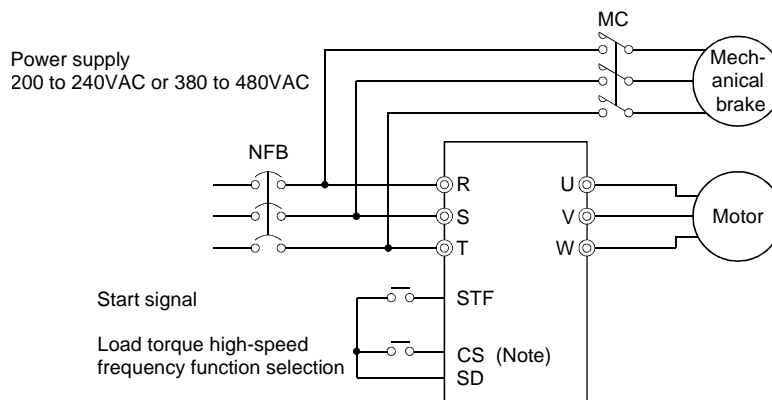
<With high-speed frequency control>



The lift with a light load or without a load is moved faster than the lift with a load. (The output frequency is increased.)

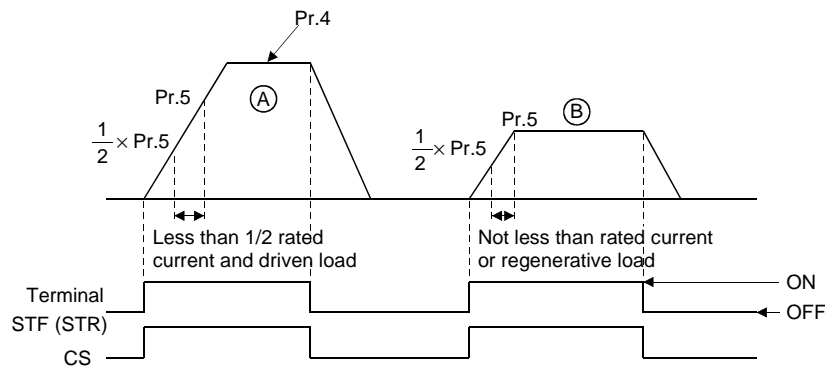
<Wiring example>

- Sink logic
- Pr. 186 = 19



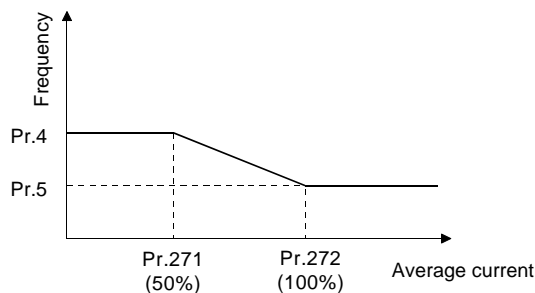
Note: The input signal terminal used depends on the Pr. 180 to Pr. 186 settings.

<Operation example>



When operation is performed with X19 (load detection high-speed frequency function selection) signal on, the inverter automatically varies the maximum frequency between Pr. 4 "multi-speed setting (high speed)" and Pr. 5 "multi-speed setting (middle speed)" settings as shown below according to the average current flowing during acceleration from the frequency half of the Pr. 5 setting to the frequency set in Pr. 5.

- Example: 1. If the average current is not more than half of the rated inverter current, the maximum frequency is the value set in Pr. 4 as shown in operation example (A).
- 2. If the average current is not less than the rated inverter current, the maximum frequency is the value set in Pr. 5 as shown in operation example (B).



<Setting>

- 1) Set "2" in Pr. 270.
- 2) Assign X19 (load detection high-speed frequency function selection) to the input terminal using any of Pr. 180 to Pr. 186.
- 3) Refer to the following table and set the parameters:

Parameter Number	Name	Setting		Description
		FR-B	FR-B3	
4	Multi-speed setting (high speed)	0 to 120Hz/ 0 to 60Hz	0 to 400Hz	Set the higher-speed frequency. (22K or less/30K or more)
5	Multi-speed setting (middle speed)	0 to 120Hz/ 0 to 60Hz	0 to 400Hz	Set the lower-speed frequency. (22K or less/30K or more)
271	High-speed setting maximum current	0 to 200%		Set the upper and lower limits of the current at high and middle speeds.
272	Mid-speed setting minimum current	0 to 200%		
273	Current averaging range	0 to 120Hz/ 0 to 60Hz	0 to 400Hz	Average current during acceleration from (Pr. 273 × 1/2) Hz to (Pr. 273) Hz can be achieved. (22K or less/30K or more)
		9999		Average current during acceleration from (Pr. 5 × 1/2) Hz to (Pr. 5) Hz is achieved.
274	Current averaging filter constant	1 to 4000		Set the time constant of the primary delay filter relative to the output current. (The time constant [ms] is 0.75 × Pr. 274 and the factory setting is 12ms.) A larger setting provides higher stability but poorer response.

- Note: 1. This function is only valid in the external operation mode. This function is not activated when "1" or "2" (remote setting function) is selected for Pr. 59.
2. If the current averaging zone includes the low output region, the output current may increase in the constant-output region. When the current is low, the running frequency increases, increasing the deceleration time.
3. The fast-response current limit function is invalid.
4. Can be activated at every start.
5. When the terminal functions are changed using Pr. 180 to Pr. 186, the other functions may be affected. Confirm the functions of the corresponding terminals before making settings.

! CAUTION

! **When the load is light, the motor may accelerate suddenly up to the maximum frequency, causing hazardous conditions. Provide sufficient interlocks on the machine side before starting operation.**

● Set frequency reference table for load torque high-speed frequency control

The following table lists the frequencies set when the load torque high-speed frequency control signal (X19) and multi-speed terminals (RH, RM, RL) are selected together:

Input Signals				Set Frequency
X19	RH	RM	RL	
○				Conforms to load torque high-speed frequency control.
	○			Speed 1 (high speed) Pr. 4
		○		Speed 2 (middle speed) Pr. 5
			○	Speed 3 (low speed) Pr. 6
○	○			Speed 1 (high speed) Pr. 4
○		○		Speed 2 (middle speed) Pr. 5
○			○	Speed 3 (low speed) Pr. 6
	○	○		Speed 6 Pr. 26
	○		○	Speed 5 Pr. 25
		○	○	Speed 4 Pr. 24
○	○	○		Speed 6 Pr. 26
○		○	○	Speed 4 Pr. 24
	○	○	○	Speed 7 Pr. 27
○	○		○	Speed 5 Pr. 25
○	○	○	○	Speed 7 Pr. 27
				Setting using terminal 2, 1, 4, JOG

○ indicates that the signal is on.

- Note: 1. Assumes that the external operation command mode is selected and the remote setting function is not selected.
2. Multi-speeds override the main speeds (across terminals 2-5, 4-5, 1-5).
3. When the 12-bit digital speed input (option FR-A5AX) is selected, the above list is invalid. (The 12-bit digital speed input has the highest priority.)
4. Jog operation overrides the above list.

● Function list (The following specifications apply to the external operation mode.)

Pr. 270 Setting	Load Torque High-Speed Frequency Control	Stop-On-Contact Control	Multi-Speeds (7 speeds)
0	×	×	○
1	×	○	○
2	○	×	○
3	○	○	○

○: Indicates that the function is valid.

● Restrictions when 1 to 3 are selected for Pr. 270

Under the following conditions, the functions of Pr. 270 settings "1 to 3" are made invalid:

- PU operation
- Programmed operation
- PU + external combined
- PID control
- Remote setting function mode
- Orientation control (option FR-A5AP)
- Jog operation (common to PU and external operations)

4.2.56 Stop-on-contact control function (Pr. 275, Pr. 276)

Pr. 275 "stop-on-contact exciting current low-speed multiplying factor"

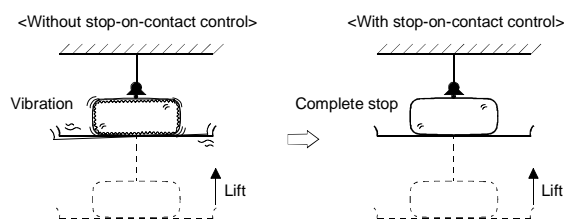
Pr. 276 "stop-on-contact PWM carrier frequency"

Related parameters

- Pr. 4 "multi-seed setting (high speed)"
- Pr. 5 "multi-seed setting (middle speed)"
- Pr. 6 "multi-seed setting (low speed)"
- Pr. 48 "second stall prevention operation current"
- Pr. 72 "PWM frequency selection"
- Pr. 180 to Pr. 186 (input terminal function selection)
- Pr. 270 "stop-on-contact/load torque high-speed frequency control selection"

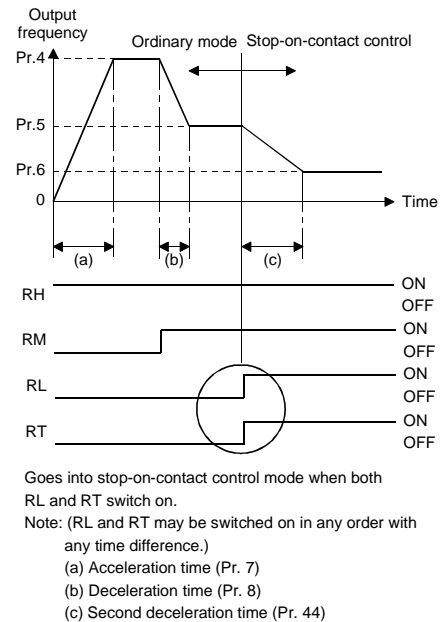
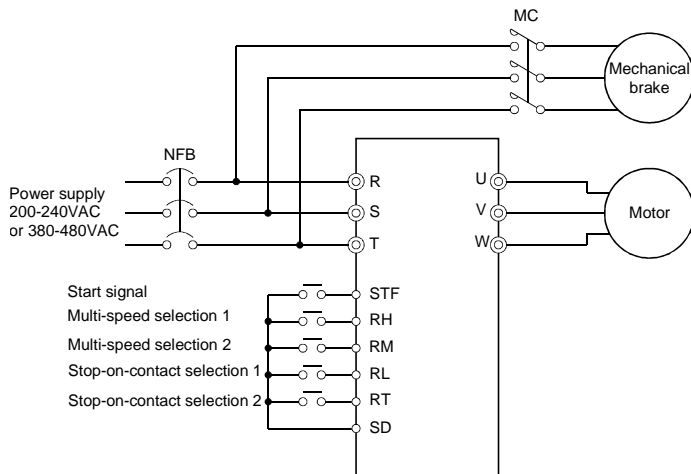
● Set "1" or "3" (stop-on-contact control) in Pr. 270. Also, for the FR-B3 series, stop-on-contact control can function because you have to select advanced magnetic flux vector control.

Parameter Number	Factory Setting		Setting Range	
	FR-B	FR-B3	FR-B	FR-B3
275	—	9999	—	0 to 1000%, 9999
276	—	9999	—	0 to 15, 9999



<Wiring and operation examples>

- Sink logic



Note: The input signal terminals used depend on the Pr. 180 to Pr. 186 settings.

When both the RT and RL terminals are switched on, the inverter enters the stop-on-contact mode, in which operation is performed at the frequency set in Pr. 6 "multi-speed setting (low speed)" independently of the preceding speed.

Note: 1. By increasing the Pr. 275 setting, the low-speed (stop-on-contact) torque increases, but the overcurrent alarm (E.OCT) may occur or the machine may oscillate in a stop-on-contact state.

2. The stop-on-contact function is different from the servo lock function, and if used to stop or hold a load for an extended period, the function can cause the motor to overheat. After a stop, immediately reset this function and use a mechanical brake to hold the load.

3. Under the following operating conditions, the stop-on-contact function is made invalid:

- PU operation
- Programmed operation
- PU + external operation
- PID control function operation
- Remote setting function operation
- Orientation control function operation
- Jog operation

<Setting>

- 1) Select advanced magnetic flux vector control and set "1" or "3" in Pr. 270.
- 2) Refer to the following list and set the parameters:

Parameter Number	Name	Setting	Description
6	Multi-speed setting (low speed)	0 to 400Hz	Set the output frequency for stop-on-contact control. The frequency should be as low as possible (about 2Hz). If it is set to more than 30Hz, the operating frequency will be 30Hz. When stop-on-contact control is to be exercised during PLG feedback control, PLG feedback control is made invalid when the inverter enters the stop-on-contact control mode.
48	Second stall prevention operation current	0 to 200%	Set the stall prevention operation for stop-on-contact control.
275	Stop-on-contact exciting current low-speed multiplying factor	0 to 1000%	Usually set a value between 130% and 180%. Set the force (holding torque) for stop-on-contact control.
		9999	No compensation
276	Stop-on-contact PWM carrier frequency	0 to 15	Set a PWM carrier frequency for stop-on-contact control. (Valid at the frequency of 3Hz or less) (Note)
		9999	Conforms to the Pr. 72 "PWM frequency selection".

Note: Set the Pr. 276 value in accordance with the setting of Pr. 72.

- Function switch-over when stop-on-contact control is selected

Operation Mode (External)	Ordinary Operation		Stop-on-Contact Control		Remarks	
	RL, RT terminals	RL	RT	RL		RT
Main function		Either is OFF		ON	ON	
Output frequency for a stop on contact	Multi-speeds 0 to 5V, 0 to 10V 4 to 20mA	Pr. 6 "low-speed frequency"				
Stall prevention operation level	Pr. 22 (stall prevention operation level)	Pr. 48 (second stall prevention operation current)		When RL and RT are on, Pr. 49 (second stall prevention operation frequency) is invalid.		
Exciting current low-speed multiplying factor			The current is compensated for by the multiplying factor (0 to 1000%) set in Pr. 275 before RL and RT are switched on.			
Carrier frequency	Pr. 72 "PWM frequency selection" (0 to 15)	Pr. 276 (stop-on-contact PWM carrier frequency) (0 to 15, 9999)				
Fast-response current limit	Yes		No			

PARAMETERS

- Frequencies set in stop-on-contact control (Pr. 270 = 1 or 3) (In external operation mode)
The following table lists the frequencies set when the input terminals (RH, RM, RL, RT, JOG) are selected together.

Input Signals					Set Frequency	Stop-on-Contact Control Function	Remarks
RH	RM	RL	RT	JOG			
○					Speed 1 (high speed) Pr. 4		
	○				Speed 2 (middle speed) Pr. 5		
		○			Speed 3 (low speed) Pr. 6		
			○		According to 0-5V, 0-10V, 4-20mA		
				○	Jog frequency Pr. 15		
○	○				Speed 6 Pr. 26		Middle speed when Pr. 26 = 9999
○		○			Speed 5 Pr. 25		Low speed when Pr. 25 = 9999
○			○		Speed 1 (high speed) Pr. 4		
○				○	Jog frequency Pr. 15		
	○	○			Speed 4 Pr. 24		Low speed when Pr. 24 = 9999
	○		○		Speed 2 (middle speed) Pr. 5		
	○			○	Jog frequency Pr. 15		
		○	○		Speed 3 (low speed, stop-on-contact frequency) Pr. 6	⊙	
		○		○	Jog frequency Pr. 15		
			○	○	Jog frequency Pr. 15		
		○	○	○	Jog frequency Pr. 15		
	○		○	○	Jog frequency Pr. 15		
	○	○		○	Jog frequency Pr. 15		
	○	○	○		Speed 3 (low speed, stop-on-contact frequency) Pr. 6	⊙	
○			○	○	Jog frequency Pr. 15		
○		○		○	Jog frequency Pr. 15		
○		○	○		Speed 3 (low speed, stop-on-contact frequency) Pr. 6	⊙	
○	○			○	Jog frequency Pr. 15		
○	○		○		Speed 6 Pr. 26		Middle speed when Pr. 26 = 9999
○	○	○			Speed 7 Pr. 27		Low speed when Pr. 27 = 9999
	○	○	○	○	Jog frequency Pr. 15		
○		○	○	○	Jog frequency Pr. 15		
○	○		○	○	Jog frequency Pr. 15		
○	○	○		○	Jog frequency Pr. 6		
○	○	○	○		Speed 3 (low speed, stop-on-contact frequency) Pr. 6	⊙	
○	○	○	○	○	Jog frequency Pr. 15		
					According to 0-5V, 0-10V, 4-20mA		

*⊙ indicates that the function is selected.

- Note:
- indicates that the signal is on.
 - ⊙ indicates that the remote setting function is not selected. (The remote setting function disables stop-on-contact control.)
 - The selection of the 12-bit digital speed input FR-A5AX (option) makes the above list invalid. Note that when both RL and RT are on, the frequency is as set in Pr. 6 and stop-on-contact control is exercised.
 - The jog frequency has the highest priority.
 - When the terminal functions are changed using Pr. 180 to Pr. 186, the other functions may be affected. Confirm the functions of the corresponding terminals before making settings.

4.2.57 Brake sequence function (Pr. 278 to Pr. 285)

Pr. 278 "brake opening frequency"

Pr. 279 "brake opening current"

Pr. 280 "brake opening current detection time"

Pr. 281 "brake operation time at start"

Pr. 282 "brake operation frequency"

Pr. 283 "brake operation time at stop"

Pr. 284 "deceleration detection function selection"

Pr. 285 "overspeed detection frequency"

Related parameters

- Pr. 60 "intelligent mode selection"
- Pr. 80 "motor capacity"
- Pr. 81 "number of motor poles"
- Pr. 180 to Pr. 186 (input terminal function selection)
- Pr. 190 to Pr. 195 (output terminal function selection)

This function is used to output from the inverter the mechanical brake opening completion signal timing signal in vertical lift and other applications.

This function prevents the load from dropping with gravity at starting due to the operation timing fault of the mechanical brake or an overcurrent alarm from occurring at a stop, ensuring secure operation.

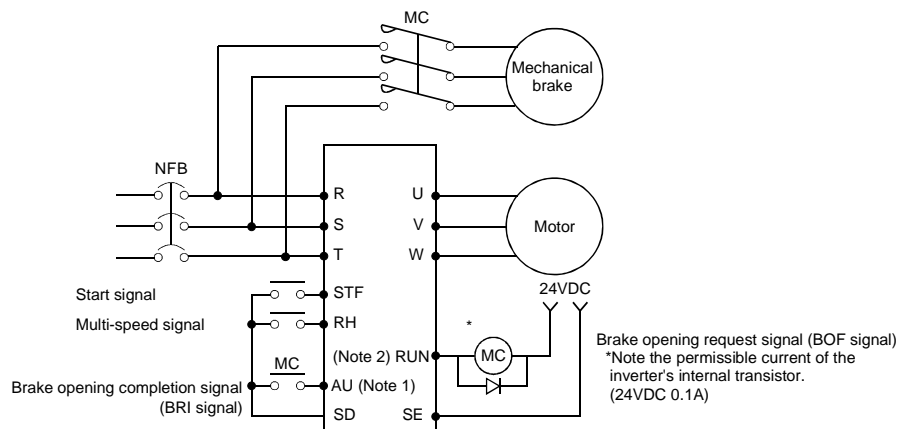
- The mechanical brake opening completion signal may either be entered or not entered into the inverter.
- In the FR-B3 series, this function is made valid by setting "7" or "8" in Pr. 60 and further selecting advanced magnetic flux vector control in the external operation mode. (With the exception of Pr. 285)

Parameter Number	Factory Setting		Setting Range	
	FR-B	FR-B3	FR-B	FR-B3
278	—	3Hz	—	0 to 30Hz
279	—	130%	—	0 to 200%
280	—	0.3 s	—	0 to 2 s
281	—	0.3 s	—	0 to 5 s
282	—	6Hz	—	0 to 30Hz
283	—	0.3 s	—	0 to 5 s
284	—	0	—	0, 1
285	—	9999	—	0 to 30Hz, 9999

Cannot be set for the FR-B series.

<Wiring example>

- Sink logic
- Pr. 184 = 15
- Pr. 190 = 20

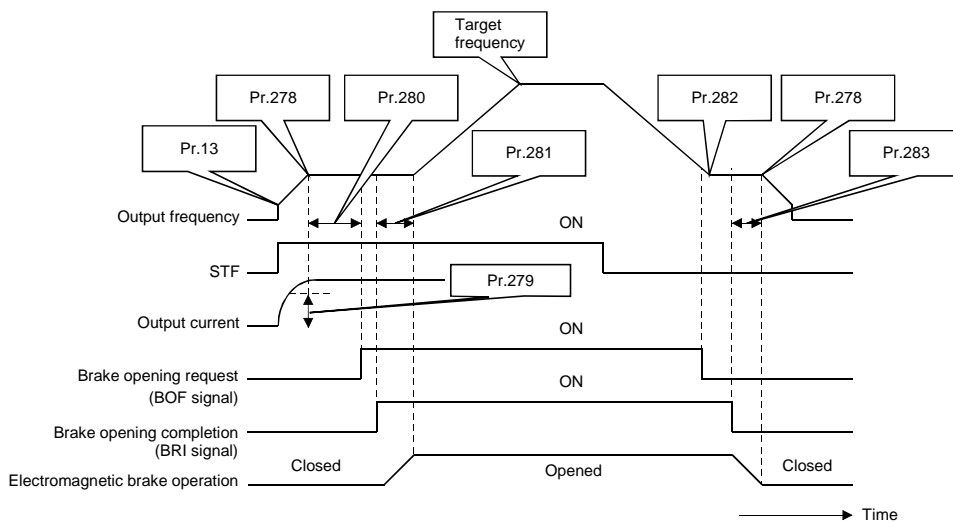


Note: 1. The input signal terminal used depends on the Pr. 180 to Pr. 186 settings.
 2. The output signal terminal used depends on the Pr. 190 to Pr. 195 settings.

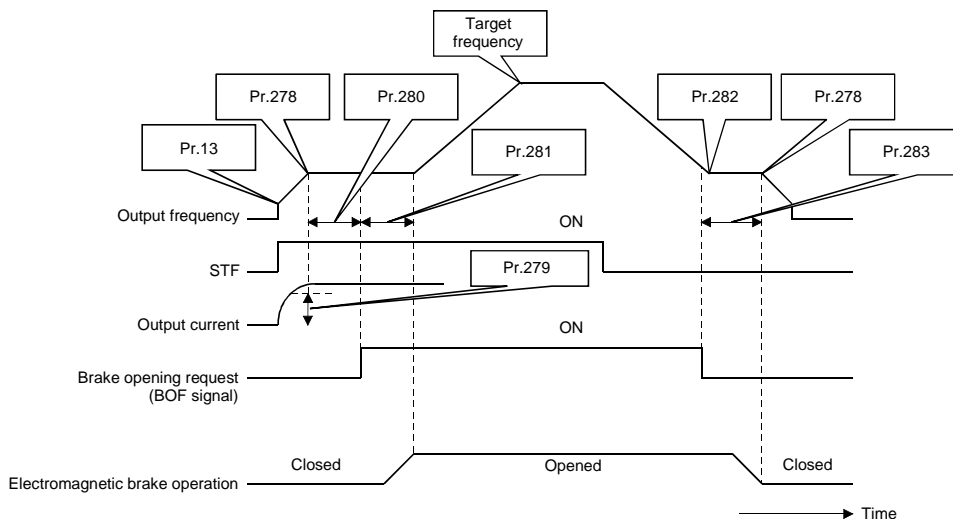
<Operation example>

- At start: When the start signal is input to the inverter, the inverter starts running. When the output frequency reaches the value set in Pr. 278 and the output current is not less than the value set in Pr. 279, the inverter outputs the brake opening request signal (BOF) after the time set in Pr. 280 has elapsed. When the time set in Pr. 281 elapses after the brake opening completion signal (BRI) was activated, the inverter increases the output frequency to the set speed.
 - At stop: When the speed has decreased to the frequency set in Pr. 282, the brake opening request signal (BOF) is switched off. When the time set in Pr. 283 elapses after the brake operation confirmation signal (BRI) was activated, the inverter output is switched off.
- * If Pr. 60 = "8" (mechanical brake opening completion signal not input), this time is the time after the brake opening request signal is output.

1) Pr. 60 = "7" (brake opening completion signal input)



2) Pr. 60 = "8" (mechanical brake opening completion signal not input)



<Setting>

(1) Parameter setting

- 1) Select advanced magnetic flux vector control. (Pr. 80, Pr. 81 ≠ "9999")
- 2) Set "7 or 8" (brake sequence mode) in Pr. 60.

To ensure more complete sequence control, it is recommended to set "7" (brake opening completion signal input) in Pr. 60. Note that the automatic restart after instantaneous power failure function is not activated when the brake sequence mode is selected.

- 3) Refer to the following table and set the parameters:

Parameter Number	Name	Setting	Description
278	Brake opening frequency	0 to 30Hz	Set to the rated slip frequency of the motor + about 1.0Hz. This parameter may only be set if Pr. 278 ≤ Pr. 282.
279	Brake opening current	0 to 200%	Generally, set this parameter to about 50 to 90%. If the setting is too low, the load is liable to drop with gravity at start. Suppose that the rated inverter current is 100%.
280	Brake opening current detection time	0 to 2 s	Generally, set this parameter to about 0.1 to 0.3 seconds.
281	Brake operation time at start	0 to 5 s	Pr. 60 = 7: Set the mechanical delay time until the brake is loosened. Pr. 60 = 8: Set the mechanical delay time until the brake is loosened + about 0.1-0.2 s.
282	Brake operation frequency	0 to 30Hz	At this frequency, the brake opening request signal (BOF) is switched off. Generally, set this parameter to the Pr. 278 setting + 3-4Hz. This parameter may only be set if Pr. 282 ≥ Pr. 278.
283	Brake operation time at stop	0 to 5 s	Pr. 60 = 7: Set the mechanical delay time until the brake is closed + 0.1 seconds. Pr. 60 = 8: Set the mechanical delay time until the brake is closed + about 0.2 to 0.3 s.
284	Deceleration detection function selection	0	Deceleration is not detected.
		1	If deceleration is not normal during deceleration operation, the inverter alarm (E.MB2) is provided to shut off the output and switch off the brake opening request signal (BOF).
285	Overspeed detection frequency	0 to 30Hz	If (detected frequency) - (output frequency) > Pr. 285 in the PLG feedback control mode, the inverter alarm (E.MB1) is provided to shut off the output and switch off the brake opening request signal (BOF).
		9999	Overspeed is not detected.

Note: When using this function, set the acceleration time to 1 second or longer.

(2) Explanations of terminals used

The terminals must be allocated using Pr. 180 to Pr. 186 and Pr. 190 to Pr. 195.

Signal	Terminals Used	Brake Sequence Mode	
		Pr. 60 = 7 (with mechanical brake opening completion signal)	Pr. 60 = 8 (without mechanical brake opening completion signal)
BOF	According to Pr. 190 to Pr. 195	Brake opening request	Brake opening request
BRI	According to Pr. 180 to Pr. 186	Brake opening completion signal	—

Note: 1. The brake opening completion signal (BRI) is a parameter valid when Pr. 60 = 7.
2. When the terminal functions are changed using Pr. 180 to 186 and Pr. 190 to Pr. 195, the other functions may be affected. Confirm the functions of the corresponding terminals before making settings.

(3) Protective functions

If any of the following errors occur in the brake sequence mode, the inverter results in an alarm, shuts off the output and switches off the brake opening request signal (BOF terminal).

On the operation panel (FR-DU04) LED and parameter unit (FR-PU04) screen, the following errors are displayed:

Error Display	Error Display
E.MB1	(Detected frequency) - (output frequency) > Pr. 286 in the PLG feedback control mode. (Overspeed detection function)
E.MB2	Deceleration is not normal during deceleration operation (Use Pr. 284 to select this function.) (Except stall prevention operation)
E.MB3	Brake opening request signal (BOF) switched on though the motor is at a stop. (Gravity drop prevention function)
E.MB4	More than 2 seconds after the run command (forward or reverse rotation) is input, the brake opening request signal (BOF) does not switch on.
E.MB5	More than 2 seconds after the brake opening request signal switched on, the brake opening completion signal (BRI) does not switch on.
E.MB6	Though the inverter had switched on the brake opening request signal (BOF), the brake opening completion signal (BRI) switched off during that period.
E.MB7	More than 2 seconds after the brake opening request signal (BOF) switched off at a stop, the brake opening completion signal (BRI) does not switch off.

Note: During PLG feedback control (when the FR-A5AP option is loaded), overspeed detection (Pr. 285) is valid if the Pr. 60 setting is other than "7 or 8".

When using PLG feedback control, the explosion-proof certification test is required separately.

4.2.58 Droop control (Pr. 286, Pr. 287)

Pr. 286 "Droop gain"

Pr. 287 "Droop filter constant"

Related parameters

- Pr. 9 "electronic thermal O/L relay"
- Pr. 71 "applied motor"
- Pr. 84 "rated motor frequency"

This function balances the load in proportion to the load torque with or without PLG, and provides speed drooping characteristics.

This is effective in balancing the load when using multiple inverters.

- The output frequency is varied according to the amount of torque current during unbalanced flux vector control and vector control.

The drooping amount at the rated torque is set by the droop gain as a percentage using the rated frequency as a reference.

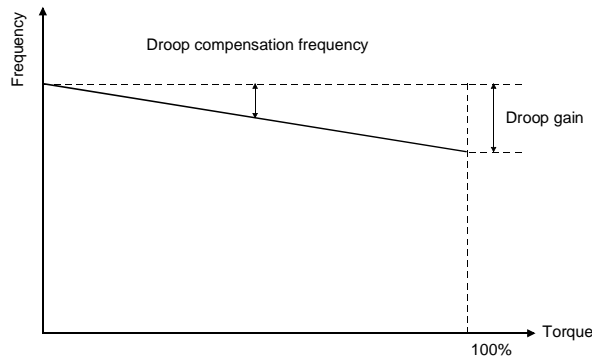
$$\text{Droop compensation frequency} = \frac{\text{Amount of torque current after filtering}}{\text{Rated current}} \times \frac{\text{Rated frequency} \times \text{droop gain}}{100}$$

- Confirm the following items when using the droop control.

1. This function is valid when Pr. 286 ≠ "0" during unbalanced flux vector and vector control.
2. This function is valid when the operation state is constant speed operation.
3. The upper limit of the droop compensation frequency is 120Hz.
4. The rated current follows the value set in Pr. 9 "Motor rated current".

Parameter No.	Factory setting		Setting range	
	FR-B	FR-B3	FR-B	FR-B3
286	—	0%	—	0 to 100%
287	—	0.3s	—	0.00 to 1.00s

Cannot be set for the FR-B series.



<Setting>

Refer to the following table and set each parameter.

Parameter No.	Details
286	Set the drooping amount at the rated torque as a percentage with respect to the rated frequency. When the setting value is "0", the function will be invalid (no droop control).
287	Set the time constant of the filter applied on the torque amount current.

4.2.59 Meter (frequency meter) calibration (Pr. 900, Pr. 901)

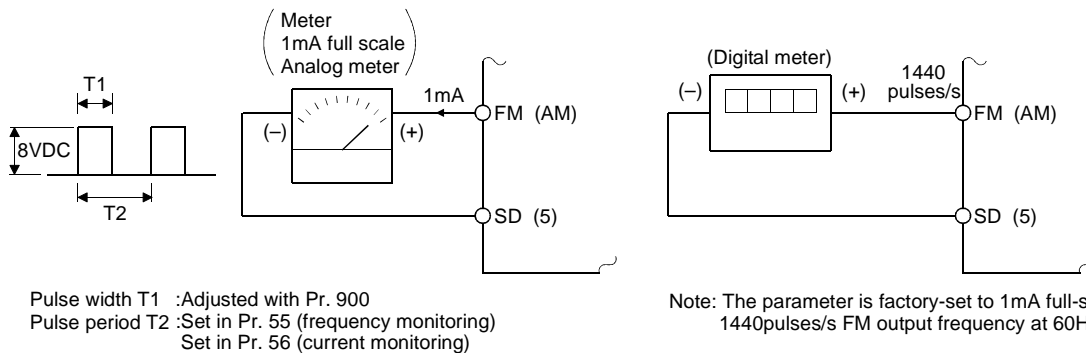
Pr. 900 "FM terminal calibration"

Pr. 901 "AM terminal calibration"

Related parameters

Pr. 54 "FM terminal function selection"
Pr. 55 "frequency monitoring reference"
Pr. 56 "current monitoring reference"
Pr. 158 "AM terminal function selection"

- By using the operation panel/parameter unit, you can calibrate a meter connected to terminal FM to full scale.
- Terminal FM provides the pulse output. By setting Pr. 900, you can calibrate the meter connected to the inverter from the parameter unit without providing a calibration resistor.
- You can display a digital value on a digital counter using the pulse train signal from terminal FM. A 1440pulses/s output is provided at the full scale value as explained in the section of Pr. 54. When the running frequency has been selected for monitoring, the ratio of this FM terminal output frequency can be set in Pr. 55.



- Terminal AM is factory-set to provide a 10VDC output in the full-scale state of each monitored data. Pr. 901 allows the output voltage ratio (gain) to be adjusted according to the meter reading. Note that the maximum output voltage is 10VDC.

(1) Calibration of terminal FM

- 1) Connect a meter (frequency meter) across inverter terminals FM-SD. (Note the polarity. FM is the positive terminal.)
- 2) When a calibration resistor has already been connected, adjust the resistance to "0" or remove the resistor.
- 3) Set any of "1 to 3, 5, 6, 8, 10 to 14, 17, 18 and 21" in Pr. 54.

When the running frequency or inverter output current has been selected as the output signal, preset in Pr. 55 or Pr. 56 the running frequency or current at which the output signal is 1440pulses/s.

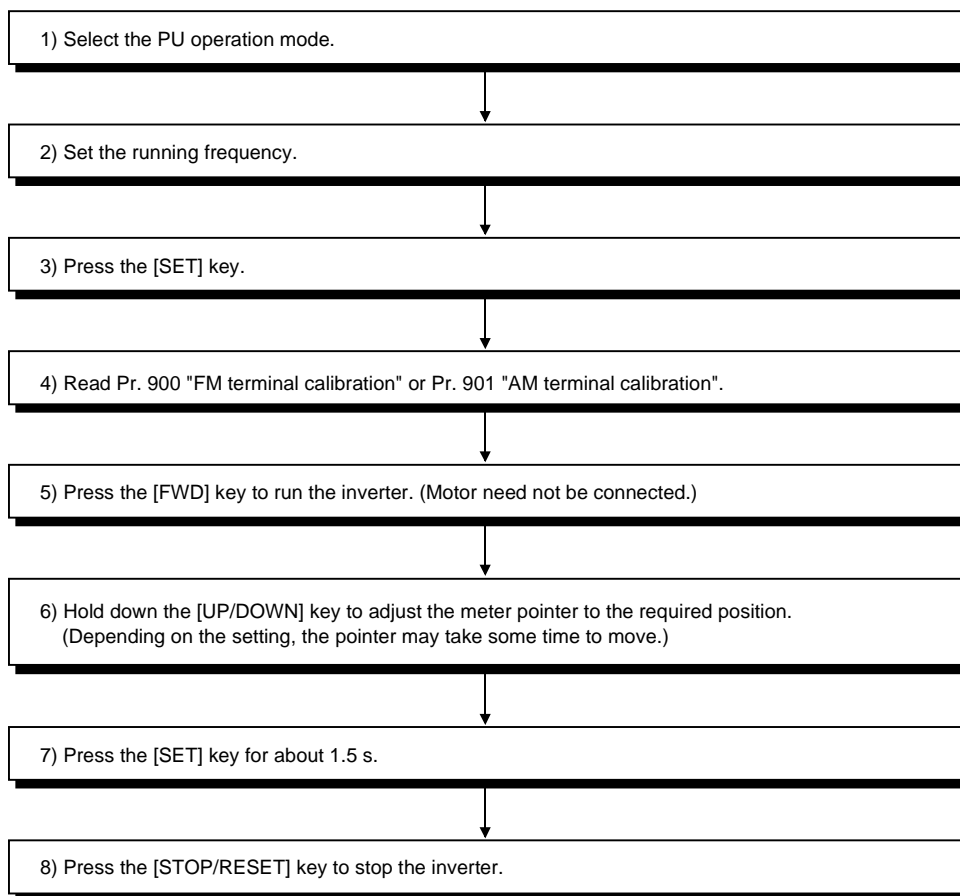
At this 1440pulses/s, the meter normally deflects to full scale.

(2) Calibration of terminal AM

- 1) Connect a 0-10VDC meter (frequency meter) across inverter terminals AM-5. (Note the polarity. AM is the positive terminal.)
- 2) Set any of "1 to 3, 5, 6, 8, 10 to 14, 17, 18 and 21" in Pr. 158.
When the running frequency or inverter output current has been selected as the output signal, preset in Pr. 55 or Pr. 56 the running frequency or current at which the output signal is 10V.
- 3) When outputting a signal which cannot achieve a 100% value easily by operation, e.g. output current, set "21" in Pr. 158 and perform the following operation. After that, set "2" (output current, for example) in Pr. 158.

<Operation procedure>

- When operation panel (FR-DU04) is used



- Note:
1. Pr. 900 is factory-set to 1mA full-scale or 1440pulses/s FM output frequency at 60Hz. The maximum pulse train output of terminal FM is 2400pulses/s.
 2. When a frequency meter is connected across terminals FM-SD to monitor the running frequency, the FM terminal output is filled to capacity at the factory setting if the maximum output frequency reaches or exceeds 100Hz. In this case, the Pr. 55 setting must be changed to the maximum frequency.
 3. For the operation procedure using the parameter unit (FR-PU04), refer to the FR-PU04 instruction manual.

4.2.60 Frequency setting voltage (current) bias and gain (Pr. 902 to Pr. 905)

Pr. 902 "frequency setting voltage bias"

Pr. 903 "frequency setting voltage gain"

Pr. 904 "frequency setting current bias"

Pr. 905 "frequency setting current gain"

Related parameters

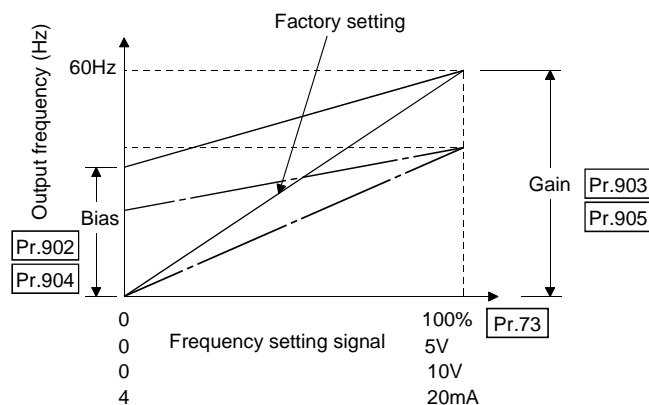
- Pr. 20 "acceleration/deceleration reference frequency"
- Pr. 73 "0-5V/0-10V selection"
- Pr. 79 "operation mode selection"

You can set the output frequency as desired in relation to the frequency setting signal (0 to 5V, 0 to 10V or 4 to 20mADC).

The "bias" and "gain" functions are used to adjust the relationship between the input signal entered from outside the inverter to set the output frequency, e.g. 0 to 5VDC, 0 to 10VDC or 4 to 20mADC, and the output frequency.

- Use Pr. 902 to set the bias frequency at 0V.
- Use Pr. 903 to set the output frequency relative to the frequency command voltage set in Pr. 73.
- Use Pr. 904 to set the bias frequency at 4mA.
- Use Pr. 905 to set the output frequency relative to the 20mA frequency command current (4 to 20mA).

Parameter Number	Factory Setting		Setting Range				Remarks
			FR-B		FR-B3		
902	0V	0Hz	0 to 10V	0 to 60Hz	0 to 10V	0 to 60Hz	
903	5V	60Hz	0 to 10V	1 to 120Hz/ 1 to 60Hz	0 to 10V	1 to 400Hz	22K or less/30K or more
904	4mA	0Hz	0 to 20mA	0 to 60Hz	0 to 20mA	0 to 60Hz	
905	20mA	60Hz	0 to 20mA	1 to 120Hz/ 1 to 60Hz	0 to 20mA	1 to 400Hz	22K or less/30K or more



<Setting>

- (1) The frequency setting voltage biases and gains may be adjusted in either of the following three ways:
 - 1) Any point can be adjusted with a voltage applied across terminals 2-5.
 - 2) Any point can be adjusted with no voltage applied across terminals 2-5.
 - 3) Bias voltage is not adjusted.

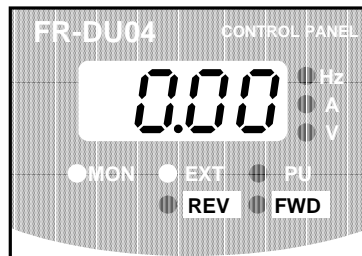
- (2) The frequency setting current biases and gains may be adjusted in either of the following three ways:
 - 1) Any point can be adjusted with a current flowing at terminal 4.
 - 2) Any point can be adjusted with no current flowing at terminal 4.
 - 3) Bias current is not adjusted.

Pr. 903 "frequency setting voltage gain"

(Pr.902, Pr. 904, Pr. 905 can also be adjusted similarly.)

<Adjustment procedure> When using the frequency setting signal from the operation panel (FR-DU04) to set the frequency.

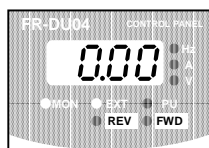
(1) Power-on (monitoring mode)



(2) Choose the PU operation mode.

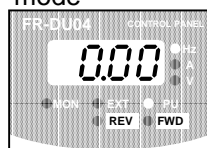
1) Using the **MODE** key, make sure that the PU operation mode has been selected.

●Monitoring mode



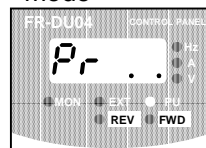
MODE

●Frequency setting mode



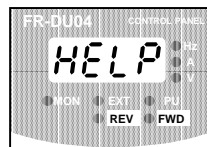
MODE

●Parameter setting mode



MODE

●Help mode



MODE

●Operation mode (PU operation mode)



Confirm that the PU operation mode

(**PU**) has been chosen.In the JOG operation mode (**JOG**)or external operation mode (**OPND**),press the **▲/▼** key to display **PU**.If **PU** cannot be displayed by pressingthe **▲/▼** key in the external operation mode(**OPND**).

(if Pr. 79 "operation mode selection" ≠ "0"),

refer to 2) and set "1" (PU operation mode)

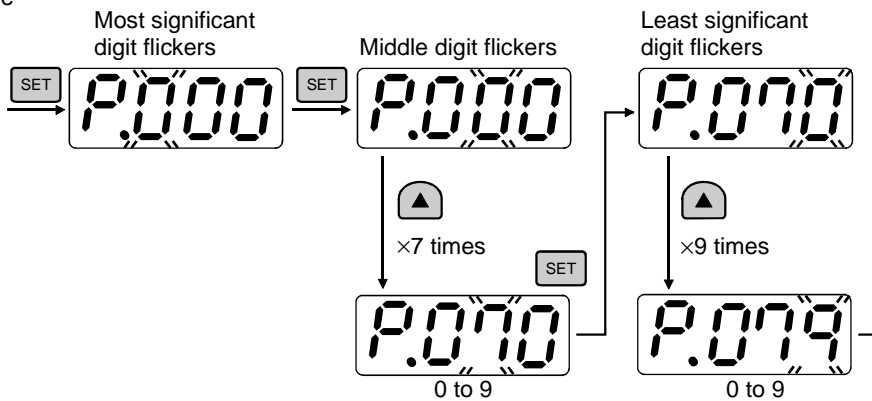
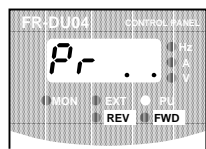
in Pr. 79 "operation mode selection".

2) Set "1" (PU operation mode) in Pr. 79 "operation mode selection".

Example: To change the external operation mode (Pr. 79=2) to the PU operation mode (Pr. 79=1)

Using the **MODE** key,
choose the "parameter
setting mode" as in 1).

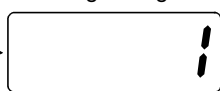
●Parameter setting mode



●Current setting

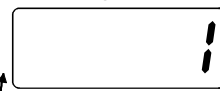


●Setting change

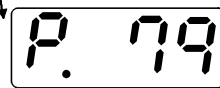


Press for
1.5 s
SET

●Setting write



Flicker



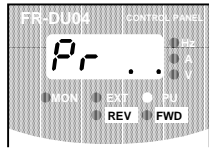
----- If **Err** appears, make sure that the forward rotation (STF) or reverse rotation (STR) signal connected to the control terminal is not on. If it is on, turn it off.

----- "1" (PU operation mode) has been set in Pr. 79. If **P. 80** appears, you did not press the **SET** key for 1.5 seconds when writing the setting. Restart the procedure from the beginning. Press the **▲** key once, press the **SET** key, and restart the setting from the beginning.

(3) Read Pr. 903 and show the current setting of the gain frequency.
 (Pr. 902, Pr. 904 and Pr. 905 can also be adjusted similarly.)

●Parameter setting mode

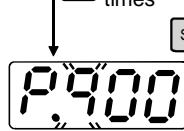
Using the **MODE** key, choose the "parameter setting mode" as in (2)-1).



Most significant digit flickers.



x9 times



0 to 9

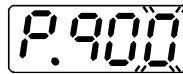


Middle digit flickers.



SET

Least significant digit flickers.



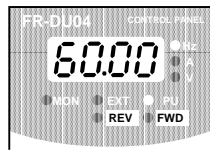
x3 times



0 to 9

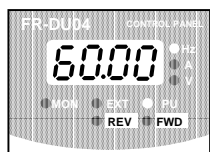


Current setting of gain frequency



(4) Set a gain frequency in Pr. 903 and show the analog voltage A/D value across terminals 2-5 in %.
 (when the frequency is set to 80Hz)

Current setting of gain frequency



●Changing the gain frequency

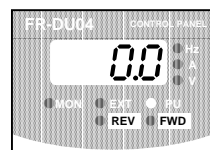


Press to change the set frequency.

Press for 1.5 s



● Analog voltage A/D value (%) across terminals 2-5

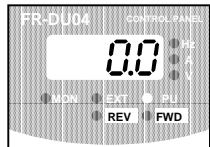


In any of the methods in (5) to (7) on the following page, continue the setting until the analog voltage A/D value flickers. If you end the setting here, the gain frequency change will not be reflected.

- 1) When not adjusting the gain voltage → go to (5)
- 2) When adjusting any point by applying a voltage → go to (6)
- 3) When adjusting any point without applying a voltage → go to (7)

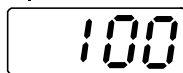
(5) How to adjust the gain frequency only without the voltage being adjusted

- Analog voltage A/D value (%) across terminals 2-5
- Press the ▲ or ▼ key once to display the current analog voltage adjustment.

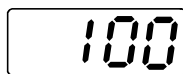


Example: When analog voltage adjustment value is 100%(5V)

Press for 1.5 s

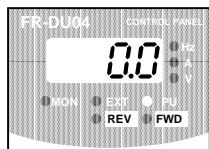


Flicker

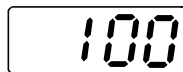


(6) How to adjust any point by applying a voltage across terminals 2-5 (e.g. from the external potentiometer) (current: across terminals 4-5) (When applying 5V)

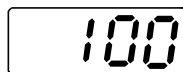
- Analog voltage A/D value (%) across terminals 2-5
- Apply a 5V voltage. (Turn the external potentiometer connected across terminals 2-5 to maximum.)



Press for 1.5 s



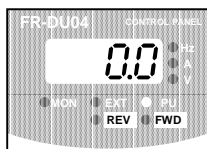
Flicker



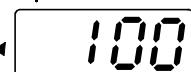
When the potentiometer is at the maximum position, the value is nearly 100.

(7) How to adjust any point without applying a voltage across terminals 2-5 (without a current flowing across terminals 4-5) (when changing from 4V (80%) to 5V (100%))

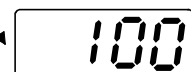
- Analog voltage A/D value (%) across terminals 2-5
- Press the ▲ or ▼ key once to display the current analog voltage calibration value.
- Set the gain voltage (%) with the ▲/▼ key. [0(%) for 0V (0mA), 100(%) for 5V (10V, 20mA)]



Press for 1.5 s



Flicker



(8) Press the SET key to shift to the next parameter.

(9) Re-set Pr. 79 "operation mode selection" according to the operation mode to be used.

Note: 1. If the Pr. 903 or Pr. 905 (gain adjustment) value is changed, the Pr. 20 value does not change. The input signal to terminal 1 (frequency setting auxiliary input) is added to the frequency setting signal.

2. For the operation procedure using the parameter unit (FR-PU04), refer to the FR-PU04 instruction manual.

⚠ CAUTION

⚠ Be careful when setting any value other than "0" as the bias frequency at 0V. Even without the speed command, the motor will start running at the set frequency by merely switching on the start signal.

4.2.61 Buzzer control (Pr. 990)

Pr. 990 "buzzer control"

You can make the buzzer "beep" when you press any key of the operation panel or parameter unit.

Parameter Number	Factory Setting		Setting Range		Remarks
	FR-B	FR-B3	FR-B	FR-B3	
990	1		0, 1		0: Without beep, 1: With beep



MEMO

CHAPTER 5

PROTECTIVE FUNCTIONS

This chapter explains the "protective functions" of this product.

Always read the instructions before using the equipment.

5.1 Errors (Alarms) 174
5.2 Troubleshooting 184
5.3 Precautions for Maintenance and Inspection 186

Chapter 1

Chapter 2

Chapter 3

Chapter 4

Chapter 5

Chapter 6

Chapter 7

5.1 Errors (Alarms)


PROTECTIVE FUNCTIONS


If any fault has occurred in the inverter, the corresponding protective function is activated and the error (alarm) indication appears automatically on the PU display. When the protective function is activated, refer to "5.2 Troubleshooting" and clear up the cause by taking proper action. If an alarm stop has occurred, the inverter must be reset to restart it.

- When the protective function is activated, take the corresponding corrective action, then reset the inverter, and resume operation.
- Resetting method
When the protective function is activated and the inverter has stopped its output, the inverter output is kept stopped (and the motor is coasted to a stop). Unless reset, therefore, the inverter cannot restart. To reset, use any of the following methods: switch power off once, then on again; short reset terminal RES-SD for more than 0.1 seconds, then open; or press the [RESET] key of the operation panel or parameter unit (use the help function of the parameter unit). If RES-SD are kept shorted, the operation panel shows "Err." and the parameter unit indicates that the inverter is being reset.

5.1.1 Error (alarm) definitions

(1) Major faults

Operation Panel Indication	E.OC1		FR-PU04	OC During Acc
Name	Overcurrent shut-off during acceleration			
Description	When the inverter output current reaches or exceeds approximately 200% of the rated current during acceleration, the protective circuit is activated to stop the inverter output. The inverter output is stopped when the start signal is entered with power supplied to the R1 and S1 terminals only.			
Check point	Check for sudden acceleration. Check for output short circuit. Check that main circuit power (R, S, T) is supplied.			
Corrective action	<ul style="list-style-type: none"> • Increase the acceleration time. • If "E.OC1" is always lit at a start, disconnect the motor once and then start the inverter. If "E.OC1" is still lit, contact your sales representative. • Supply main circuit power (R, S, T). 			

Operation Panel Indication	E.OC2		FR-PU04	Stedy Spd OC
Name	Overcurrent shut-off during constant speed			
Description	When the inverter output current reaches or exceeds approximately 200% of the rated current during constant speed, the protective circuit is activated to stop the inverter output.			
Check point	Check for sudden load change. Check for output short circuit.			
Corrective action	Keep load stable.			

PROTECTIVE FUNCTIONS

Operation Panel Indication	E.OC3	E.Oc3	FR-PU04	OC During Dec
Name	Overcurrent shut-off during deceleration			
Description	When the inverter output current reaches or exceeds approximately 200% of the rated current during deceleration (other than acceleration or constant speed), the protective circuit is activated to stop the inverter output.			
Check point	Check for sudden speed reduction. Check for output short circuit. Check for too fast operation of motor's mechanical brake.			
Corrective action	Increase the deceleration time. Check mechanical brake operation.			

Operation Panel Indication	E.OV1	E.Ov1	FR-PU04	OV During Acc
Name	Regenerative overvoltage shut-off during acceleration			
Description	If regenerative energy causes the inverter's internal main circuit DC voltage to reach or exceed the specified value, the protective circuit is activated to stop the inverter output. It may also be activated by a surge voltage generated in the power supply system.			
Check point	Check for too slow acceleration.			
Corrective action	Decrease the acceleration time.			

Operation Panel Indication	E.OV2	E.Ov2	FR-PU04	Stedy Spd OV
Name	Regenerative overvoltage shut-off during constant speed			
Description	If regenerative energy causes the inverter's internal main circuit DC voltage to reach or exceed the specified value, the protective circuit is activated to stop the inverter output. It may also be activated by a surge voltage generated in the power supply system.			
Check point	Check for sudden load change.			
Corrective action	<ul style="list-style-type: none"> • Keep load stable. • Use the brake unit or power return converter (FR-RC) as required. 			

Operation Panel Indication	E.OV3	E.Ov3	FR-PU04	OV During Dec
Name	Regenerative overvoltage shut-off during deceleration or stop			
Description	If regenerative energy causes the inverter's internal main circuit DC voltage to reach or exceed the specified value, the protective circuit is activated to stop the inverter output. It may also be activated by a surge voltage generated in the power supply system.			
Check point	Check for sudden speed reduction.			
Corrective action	<ul style="list-style-type: none"> • Increase the deceleration time. (Set the deceleration time which meets load GD^2) • Decrease the braking duty. • Use the brake unit or power return converter (FR-RC) as required. 			

PROTECTIVE FUNCTIONS

Operation Panel Indication	E.THM	E.THM	FR-PU04	Motor Ovrload
Name	Motor overload shut-off (electronic overcurrent protection) (Note 1)			
Description	The electronic overcurrent protection in the inverter detects motor overheat due to overload or reduced cooling capability during constant-speed operation. When 85% of the preset value is reached, pre-alarm (TH indication) occurs. When the specified value is reached, the protective circuit is activated to stop the inverter output. When a special motor such as a multi-pole motor or two or more motors are run, provide a thermal relay in the inverter output side since the motor(s) cannot be protected by the electronic overcurrent protection.			
Check point	Check the motor for use under overload.			
Corrective action	<ul style="list-style-type: none"> • Reduce the load weight. • For a constant-torque motor, change the Pr. 71 setting to the constant-torque motor setting. 			

Operation Panel Indication	E.THT	E.THT	FR-PU04	Inv. Overload
Name	Inverter overload shut-off (electronic overcurrent protection) (Note 1)			
Description	If a current of more than 150% of the rated output current flows and overcurrent shut-off does not occur (200% or less), inverse-time characteristics cause the electronic overcurrent protection to be activated to stop the inverter output in order to protect the output transistors. (Overload immunity 150%, 60 seconds.)			
Check point	Check the motor for use under overload.			
Corrective action	Reduce the load weight.			

Note 1: Resetting the inverter initializes the internal heat integrating data of the electronic overcurrent protection.

Operation Panel Indication	E.IPF	E.IPF	FR-PU04	Inst. Pwr. Loss
Name	Instantaneous power failure protection (Note 2)			
Description	If a power failure occurs for longer than 15ms (this also applies to inverter input shut-off), the instantaneous power failure protective function is activated to stop the inverter output in order to prevent the control circuit from malfunctioning. At this time, the alarm warning output contacts open (across terminals B-C) and close (across terminals A-C). (Note 2) If a power failure persists for longer than 100ms, the alarm warning output is not provided, and the inverter restarts if the start signal is on upon power restoration. (The inverter continues operating if an instantaneous power failure is within 15ms.)			
Check point	Find the cause of instantaneous power failure occurrence.			
Corrective action	<ul style="list-style-type: none"> • Remedy the instantaneous power failure. • Prepare a backup power supply for instantaneous power failure. • Set the function of automatic restart after instantaneous power failure. (Refer to page 87.) 			

Note 2: When an instantaneous power failure occurs, the alarm display and alarm output are not provided, but the inverter performs protective operation to prevent a fault from occurring in itself. In some operating status (load size, acceleration/deceleration time setting, etc.), overcurrent or other protection may be activated upon power restoration.

PROTECTIVE FUNCTIONS

Operation Panel Indication	E.UVT	<i>E.UVT</i>	FR-PU04	Under Voltage
Name	Undervoltage protection			
Description	If the power supply voltage of the inverter reduces, the control circuit will not operate properly and will result in decreased motor torque or increased heat generation. To prevent this, if the power supply voltage reduces below 150V (about 300V for the 400V class), this function stops the inverter output. When a jumper is not connected across P-P1, the undervoltage protective function is activated.			
Check point	Check for start of large-capacity motor. Check that a jumper or DC reactor is connected across terminals P-P1.			
Corrective action	Check the power supply system equipment such as power supply. Connect a jumper or DC reactor across terminals P-P1.			

Operation Panel Indication	E.FIN	<i>E.FIN</i>	FR-PU04	H/Sink O/Temp
Name	Fin overheat			
Description	If the cooling fin overheats, the overheat sensor is actuated to stop the inverter output.			
Check point	<ul style="list-style-type: none"> • Check for too high ambient temperature. • Check for cooling fin clogging. 			
Corrective action	Set the ambient temperature to within the specifications.			

Operation Panel Indication	E.GF	<i>E.GF</i>	FR-PU04	Ground Fault
Name	Output side ground fault overcurrent protection			
Description	This function stops the inverter output if a ground fault overcurrent flows due to a ground fault which occurred in the inverter's output side (load side).			
Check point	Check for a ground fault in the motor and connection cable.			
Corrective action	Remedy the ground fault portion.			

Operation Panel Indication	E.OHT	<i>E.OHT</i>	FR-PU04	OH Fault
Name	External thermal relay operation (Note 3)			
Description	If the external thermal relay designed for motor overheat protection or the internally mounted temperature relay in the motor switches on (contacts open), the inverter output is stopped. If the relay contacts are reset automatically, the inverter will not restart unless it is reset.			
Check point	<ul style="list-style-type: none"> • Check for motor overheating. • Check that the value of 7 (OH signal) is set correctly in any of Pr. 180 to Pr. 186 (input terminal function selection). 			
Corrective action	Reduce the load and operating duty.			

Note 3: The output terminals used must be allocated using Pr. 190 to Pr. 195 (output terminal function selection). This function is activated only when OH has been set to any of Pr. 180 to Pr. 186 (input terminal function selection).

PROTECTIVE FUNCTIONS

Operation Panel Indication	E.BE	E. bE	FR-PU04	Br. Cct. Fault
Name	Brake transistor alarm detection			
Description	If the brake circuit fault has occurred due to damaged brake transistors, etc., this function stops the inverter output. In this case, the inverter power must be switched off immediately.			
Check point	<ul style="list-style-type: none"> • Reduce load GD². • Check that the frequency of using the brake is proper. 			
Corrective action	Change the inverter.			

Operation Panel Indication	E.OLT	E.OLT	FR-PU04	Still Prev STP (OL shown during stall prevention operation)
Name	Stall prevention			
Description	The running frequency has fallen to 0 by stall prevention activated. (OL while stall prevention is being activated.)			
Check point	Check the motor for use under overload.			
Corrective action	Reduce the load weight.			

Operation Panel Indication	E.OPT	E.OPT	FR-PU04	Option Fault
Name	Option alarm			
Description	Stops the inverter output if the dedicated option used in the inverter results in setting error or connection (connector) fault. Appears by connecting an AC power supply to R, S, T when you have set high power factor converter connection.			
Check point	Check that the plugged-in option connector is plugged securely.			
Corrective action	<ul style="list-style-type: none"> • Connect the plugged-in option securely. • Contact your sales representative. 			

Operation Panel Indication	E.OP1 to OP3	E.OP1 ~ OP3	FR-PU04	Option slot alarm 1 to 3
Name	Option slot alarm			
Description	Stops the inverter output if a functional alarm occurs in the plug-in option loaded in the corresponding slot (e.g. communication alarm of the communication option).			
Check point	Check for a wrong option function setting and operation. (1 to 3 indicates the option slot numbers.)			
Corrective action	Confirm the option function setting, etc.			

Operation Panel Indication	E.PE	E. PE	FR-PU04	Corrupt Memry
Name	Parameter storage device alarm			
Description	Stops the inverter output if a fault occurs in the E ² PROM device which stores parameter settings.			
Check point	Check for too many number of parameter write times.			
Corrective action	Contact your sales representative.			

PROTECTIVE FUNCTIONS

Operation Panel Indication	E.PUE	<i>E.PUE</i>	FR-PU04	PU Leave Out
Name	Parameter unit disconnection			
Description	<p>This function stops the inverter output if communication between the inverter and PU is suspended, e.g. the operation panel or PU is disconnected, when "2", "3", "16" or "17" was set in Pr. 75 "reset selection/disconnected PU detection/PU stop selection".</p> <p>This function stops the inverter output if the number of successive communication errors is greater than the permissible number of retries when the Pr. 121 value is "9999" for RS-485 communication from the PU connector. This function stops the inverter output if communication is broken for the time set in Pr. 122.</p>			
Check point	<ul style="list-style-type: none"> • Check for loose fitting of the DU or PU. • Check the Pr. 75 setting. 			
Corrective action	Fit the DU and PU securely.			

Operation Panel Indication	E.RET	<i>E.RET</i>	FR-PU04	Retry No Over
Name	Retry count exceeded			
Description	If operation cannot be resumed properly within the number of retries set, this function stops the inverter output.			
Check point	Find the cause of alarm occurrence.			
Corrective action	Eliminate the cause of the error preceding this error indication.			

Operation Panel Indication	E.LF	<i>ELF</i>	FR-PU04	———
Name	Output phase failure protection			
Description	<ul style="list-style-type: none"> • This function stops the inverter output if one of the three phases (U, V, W) on the inverter's output side (load side) results in open phase. • Check if the rated motor current is extremely lower than the rated inverter current. 			
Check point	Check the wiring (Check the motor for a fault).			
Corrective action	<ul style="list-style-type: none"> • Check the cables properly. • Check the setting of Pr. 251 "output phase failure protection selection". 			

Operation Panel Indication	E.CPU	<i>E.CPU</i>	FR-PU04	CPU Fault
Name	CPU error			
Description	If the arithmetic operation of the built-in CPU does not end within a predetermined period, the inverter self-determines it as an alarm and stops the output.			
Check point	———			
Corrective action	<ul style="list-style-type: none"> • Make connection securely. • Contact your sales representative. 			

Operation Panel Indication	E. 6 E. 7	<i>E. 6 E. 7</i>	FR-PU04	Fault 6 Fault 7
Name	CPU error			
Description	If the arithmetic operation of the peripheral circuit of the built-in CPU does not end within a predetermined period or if there is an error in the receive data of the built-in CPU, the inverter self-determines it as an alarm and stops the output.			
Check point	Check for a loose connector.			
Corrective action	<ul style="list-style-type: none"> • Make connection securely. • Contact your sales representative. 			

PROTECTIVE FUNCTIONS

Operation Panel Indication	E.P24	E.P24	FR-PU04	—
Name	24VDC power output short circuit			
Description	When the 24VDC power output from the PC terminal is shorted, this function shuts off the power output. At this time, all external contact inputs switch off. The inverter cannot be reset by entering the RES signal. To reset, use the operation panel or switch power off, then on again.			
Check point	Check for a short circuit in the PC terminal output.			
Corrective action	Remedy the short circuit portion.			

Operation Panel Indication	E.CTE	E.CTE	FR-PU04	—
Name	Operation panel power supply short circuit			
Description	When the operation panel power supply (P5S of the PU connector) is shorted, this function shuts off the power supply output. At this time, the operation panel (parameter unit) cannot be used and RS-485 communication from the PU connector cannot be made. To reset, enter the RES signal or switch power off, then on again.			
Check point	Check for a short circuit in the PU connector cable.			
Corrective action	Check the PU and cable.			

Operation Panel Indication	E.MB1 to 7	E.MB1 ~ 7	FR-PU04	—
Name	Brake sequence error (Note 5)			
Description	The inverter output is stopped when a sequence error occurs during use of the brake sequence function (Pr. 278 to Pr. 285).			
Check point	Find the cause of alarm occurrence.			
Corrective action	Perform parameter setting check and wiring properly.			

Note 5: No indication for the FR-B series.

(2) Minor fault

Operation Panel Indication	FN	F_n	FR-PU04	Fan fault
Name	Fan fault			
Description	For the inverter, which contains a cooling fan, FN appears on the operation panel when the cooling fan stops due to a fault or operates differently from the setting of Pr. 244 "cooling fan operation selection".			
Check point	Check the cooling fan for a fault.			
Corrective action	Change the fan.			

(3) Warnings

Operation Panel Indication	OL	OL	FR-PU04	OL (Stall Prev STP)
Name	Stall prevention (Over current)			
Description	During acceleration	If a current of more than 150% (Note 4) of the rated inverter current flows in the motor, this function stops the increase in frequency until the overload current reduces to prevent the inverter from resulting in overcurrent shut-off. When the overload current has reduced below 150%, this function increases the frequency again.		
	During constant-speed operation	If a current of more than 150% (Note 4) of the rated inverter current flows in the motor, this function lowers the frequency until the overload current reduces to prevent overcurrent shut-off. When the overload current has reduced below 150%, this function increases the frequency up to the set value.		
	During deceleration	If a current of more than 150% (Note 4) of the rated inverter current flows in the motor, this function stops the decrease in frequency until the overload current reduces to prevent the inverter from resulting in overcurrent shut-off. When the overload current has reduced below 150%, this function decreases the frequency again.		
Check point	Check the motor for use under overload.			
Corrective action	The acceleration time may change. Increase the stall prevention operation level using Pr. 22 "stall prevention operation level" or make the stall prevention inoperative using Pr. 156 "stall prevention operation selection".			

Note 4: The stall prevention operation current may be set as desired. It is factory-set to 150%.

Operation Panel Indication	oL	oL	FR-PU04	oL
Name	Stall prevention (overvoltage)			
Description	During deceleration	If the regenerative energy of the motor increases too much to exceed the brake capability, this function stops the decrease in frequency to prevent overvoltage shut-off. As soon as the regenerative energy has reduced, deceleration resumes.		
Check point	Check for sudden speed reduction.			
Corrective action	The deceleration time may change. Increase the deceleration time using Pr. 8 "deceleration time".			

Operation Panel Indication	PS	PS	FR-PU04	PS
Name	PU stop			
Description	A stop made by pressing the [STOP] key of the PU has been set in Pr. 75 "PU stop selection".			
Check point	Check for a stop made by pressing the STOP key of the operation panel.			
Corrective action	Refer to page 98.			

Operation Panel Indication	Err. <i>Err</i>
Description	<p>This alarm appears if:</p> <ul style="list-style-type: none"> • The RES signal is on. • You attempted to set any parameter value in the external operation mode. • You attempted to change the operation mode during operation. • You attempted to set any parameter value outside its setting range. • Normal communication cannot be made between the PU and inverter. • You attempted to make parameter setting when Pr. 77 "parameter write disable selection" has been set to disable parameter write.
Corrective action	Perform operation correctly.

5.1.2 To know the operating status at the occurrence of an alarm

When any alarm has occurred, the display automatically switches to the indication of the corresponding protective function (error). By pressing the [MODE] key at this point without resetting the inverter, the display shows the output frequency. In this way, it is possible to know the running frequency at the occurrence of the alarm. It is also possible to know the current in the same manner. However, these values are not stored in memory and are erased when the inverter is reset.

5.1.3 Correspondences between digital and actual characters

There are the following correspondences between the actual alphanumeric characters and the digital characters displayed on the operation panel:

Actual	Digital	Actual	Digital	Actual	Digital
0	<i>0</i>	A	<i>A</i>	M	<i>n</i>
1	<i>1</i>	B	<i>b</i>	N	<i>n</i>
2	<i>2</i>	C	<i>C</i>	O	<i>0</i>
3	<i>3</i>	D	<i>d</i>	o	<i>o</i>
4	<i>4</i>	E	<i>E</i>	P	<i>P</i>
5	<i>5</i>	F	<i>F</i>	S	<i>S</i>
6	<i>6</i>	G	<i>G</i>	T	<i>r</i>
7	<i>7</i>	H	<i>H</i>	U	<i>U</i>
8	<i>8</i>	I	<i>I</i>	V	<i>v</i>
9	<i>9</i>	J	<i>J</i>	r	<i>r</i>
		L	<i>L</i>	-	<i>-</i>

5.1.4 Alarm code output

By setting Pr. 76 "alarm code output selection", an alarm definition can be output as a 4-bit digital signal. This signal is output from the open collector output terminals equipped as standard on the inverter.

Correlations between alarm definitions and alarm codes are as follows.

Operation Panel Display (FR-DU04)	Output Terminal Signal On-Off				Alarm Code	Alarm Output (across B-C)
	SU	IPF	OL	FU		
E.OC1	0	0	0	1	1	Provided (Open)
E.OC2	0	0	1	0	2	
E.OC3	0	0	1	1	3	
E.OV1	0	1	0	0	4	Provided (Open)
E.OV2						
E.OV3						
E.THM	0	1	0	1	5	Provided (Open)
E.THT	0	1	1	0	6	
E.IPF	0	1	1	1	7	Provided (Open)
E.UVT	1	0	0	0	8	Provided (Open)
E.FIN	1	0	0	1	9	Provided (Open)
E. BE	1	0	1	0	A	Provided (Open)
E. GF	1	0	1	1	B	Provided (Open)
E.OHT	1	1	0	0	C	Provided (Open)
E.OLT	1	1	0	1	D	Not provided (Provided when OLT is displayed) (Open)
E.OPT	1	1	1	0	E	Provided (Open)
E.OP1 to E.OP3	1	1	1	0	E	Provided (Open)
E. PE	1	1	1	1	F	Provided (Open)
E.PUE						Provided (Open)
E.RET						Provided (Open)
E.LF						Provided (Open)
E.CPU						Provided (Open)
E. 6						Provided (Open)
E. 7						Provided (Open)

(Note) 0: Output transistor OFF, 1: Output transistor ON (common terminal SE)
The alarm output assumes that Pr. 195 setting is "99" (factory setting).

5.1.5 Resetting the inverter

Performing any of the following operations can reset the inverter. Note that the electronic overcurrent protection's internal heat calculation value and the number of retries are cleared (erased) by resetting the inverter.

Operation 1: Using the operation panel (FR-DU04), press the [RESET] key to reset the inverter.

Operation 2: Switch power off once, then switch it on again.

Operation 3: Switch on the reset signal (RES).

5.2 Troubleshooting

PROTECTIVE FUNCTIONS

POINT: Check the corresponding areas. If the cause is still unknown, it is recommended to initialize the parameters (return to factory settings), re-set the required parameter values, and check again.

5.2.1 Motor remains stopped

- 1) Check the main circuit
 - Check that a proper power supply voltage is applied (operation panel display is provided).
 - Check that the motor is connected properly.
 - Check that the conductor across P1-P is connected.
- 2) Check the input signals
 - Check that the start signal is input.
 - Check that both the forward and reverse rotation start signals are not input.
 - Check that the frequency setting signal is not zero.
 - Check that the AU signal is on when the frequency setting signal is 4 to 20mA.
 - Check that the output stop signal (MRS) or reset signal (RES) is not on.
 - Check that the CS signal is not off when automatic restart after instantaneous power failure is selected (Pr. 57 = other than "9999").
- 3) Check the parameter settings
 - Check that the reverse rotation prevention (Pr. 78) is not selected.
 - Check that the operation mode (Pr. 79) setting is correct.
 - Check that the bias and gain (Pr. 902 to Pr. 905) settings are correct.
 - Check that the starting frequency (Pr. 13) setting is not greater than the running frequency.
 - Check that various operational functions (such as three-speed operation), especially the maximum frequency (Pr. 1), are not zero.
- 4) Check the load
 - Check that the load is not too heavy.
 - Check that the shaft is not locked.
- 5) Others
 - Check that the ALARM lamp is not lit.
 - Check that the Pr. 15 "jog frequency" setting is not lower than the Pr. 13 "starting frequency" value.

5.2.2 Motor rotates in opposite direction

- Check that the phase sequence of output terminals U, V and W is correct.
- Check that the start signals (forward rotation, reverse rotation) are connected properly.

5.2.3 Speed greatly differs from the setting

- Check that the frequency setting signal is correct. (Measure the input signal level.)
- Check that the following parameter settings are proper: Pr. 1, Pr. 2, Pr. 902 to Pr. 905.
- Check that the input signal lines are not affected by external noise. (Use shielded cables)
- Check that the load is not too heavy.

5.2.4 Acceleration/deceleration is not smooth

- Check that the acceleration and deceleration time settings are not too short.
- Check that the load is not too heavy.

5.2.5 Motor current is large

- Check that the load is not too heavy.

5.2.6 Speed does not increase

- Check that the maximum frequency (Pr. 1) setting is correct.
- Check that the load is not too heavy. (In agitators, etc., load may become heavy in winter.)
- Check that the brake resistor is not connected to terminals P-P1 by mistake.

5.2.7 Speed varies during operation

- 1) Inspection of load
 - Check that the load is not varying.
- 2) Inspection of input signal
 - Check that the frequency setting signal is not varying.
 - Check that the frequency setting signal is not affected by induced noise.
- 3) Others
 - Check that the wiring length is correct in V/F control.
 - In the FR-B3 series, check that the settings of the applied motor capacity (Pr. 80) and the number of applied motor poles (Pr. 81) are proper for the inverter capacity and motor capacity under advanced magnetic flux vector control.
 - In the FR-B3 series, check that the offline auto tuning (Pr. 96) setting is proper.

5.2.8 Operation mode is not changed properly

If the operation mode is not changed properly, check the following:

1. External input signalCheck that the STF or STR signal is off.
When it is on, the operation mode cannot be changed.
2. Parameter settingCheck the Pr. 79 setting.
When the setting of Pr. 79 "operation mode selection" is "0" (factory setting), switching input power on places the inverter in the external operation mode. Press the operation panel's [MODE] key three times and press the [UP] key (press the [PU] key for the parameter unit (FR-PU04)). This changes the external operation mode into the PU operation mode. For any other setting (1 to 8), the operation mode is limited according to the setting.

5.2.9 Operation panel (FR-DU04) display is not provided

- Make sure that the operation panel is connected securely with the inverter.

5.2.10 POWER lamp is not lit

- Make sure that the wiring and installation are correct.

5.2.11 Parameter write cannot be performed

- Make sure that operation is not being performed (signal STF or STR is not ON).
- Make sure that you pressed the [SET] key ([WRITE] key) for longer than 1.5 seconds.
- Make sure that you are not attempting to set the parameter outside the setting range.
- Make sure that you are not attempting to set the parameter in the external operation mode.
- Check Pr. 77 "parameter write disable selection".

5.3 Precautions for Maintenance and Inspection

PROTECTIVE FUNCTIONS

The pressure-resistant, explosion-proof motor driving inverter is a static unit mainly consisting of semiconductor devices. Daily inspection must be performed to prevent any fault from occurring due to adverse influence by the operating environment, such as temperature, humidity, dust, dirt and vibration, changes in the parts with time, service life, and other factors.

5.3.1 Precautions for maintenance and inspection

For some short time after the power is switched off, a high voltage remains in the smoothing capacitor. When accessing the inverter for inspection, switch power off. When more than 10 minutes have elapsed, make sure that the voltage across the main circuit terminals P-N of the inverter is 30VDC or less using a tester, etc.

5.3.2 Check items

(1) Daily inspections

- Check the following:
 - 1) Motor operation fault
 - 2) Improper installation environment
 - 3) Cooling system fault
 - 4) Unusual vibration and noise
 - 5) Unusual overheating and discoloration
- During operation, check the inverter input voltages using a tester.

(2) Cleaning

Always run the inverter in a clean state.

When cleaning the inverter, gently wipe dirty areas with a soft cloth immersed in neutral detergent or ethanol.

Note: Do not use solvent, such as acetone, benzene, toluene and alcohol, as they will cause the inverter surface paint to peel off.

Do not use detergent or alcohol to clean the display and other sections of the operation panel (FR-DU04) or parameter unit (FR-PU04) as these sections do not like them.

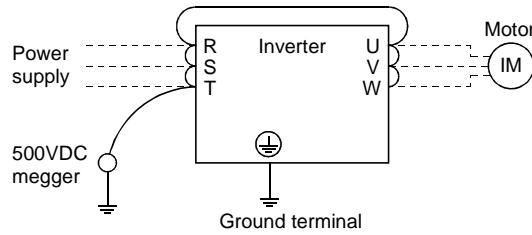
5.3.3 Periodic inspection

Check the areas inaccessible during operation and requiring periodic inspection. For periodic inspection, consult us.

- 1) Cooling system:Clean the air filter, etc.
- 2) Screws and bolts:These parts may become loose due to vibration, temperature changes, etc.
Check that they are tightened securely and retighten as necessary.
- 3) Conductors and insulating materials: Check for corrosion and damage.
- 4) Insulation resistance: Measure.
- 5) Cooling fan, smoothing capacitor, relay: Check and change if necessary.

5.3.4 Insulation resistance test using megger

- 1) Before performing the insulation resistance test using a megger on the external circuit, disconnect the cables from all terminals of the inverter so that the test voltage is not applied to the inverter.
- 2) For the continuity test of the control circuit, use a meter (high resistance range) and do not use the megger or buzzer.
- 3) For the inverter, conduct the insulation resistance test on the main circuit only as shown below and do not perform the test on the control circuit. (Use a 500VDC megger.)



5.3.5 Pressure test

Do not conduct a pressure test. The inverter's main circuit uses semiconductors, which may be deteriorated if a pressure test is made.

5.3.6 Daily and Periodic Inspection

Area of Inspection	Inspection Item	Description	Interval			Method	Criterion	Instrument
			Daily	Periodic*				
				1 year	2 years			
General	Surrounding environment	Check ambient temperature, humidity, dusts, dirt, etc.	○			(Refer to page 7)	Ambient temperature: (constant torque) -10°C to +50°C, non-freezing.	Thermometer, hygrometer, recorder
	Overall unit	Check for unusual vibration and noise.	○			Visual and auditory checks.	No fault.	
	Power supply voltage	Check that main circuit voltage is normal.	○			Measure voltage across inverter terminals R-S-T.	Within permissible AC voltage fluctuation (Refer to page 194)	Meter, digital multimeter
Main circuit	General	(1) Check with megger (across main circuit terminals and ground terminal). (2) Check for loose screws and bolts. (3) Check for overheating of each part. (4) Clean.			○	(1) Disconnect all cables from inverter and measure across terminals R, S, T, U, V, W and ground terminal with megger. (2) Re-tighten. (3) Visual check.	(1) 5M Ω or more. (2), (3) No fault.	500VDC class megger
	Conductors, cables	(1) Check conductors for distortion. (2) Check cable sheaths for breakage.		○		(1), (2) Visual check.	(1), (2) No fault.	
	Terminal block	Check for damage.		○		Visual check.	No fault	

PROTECTIVE FUNCTIONS

Area of Inspection	Inspection Item	Description	Interval			Method	Criterion	Instrument
			Daily	Periodic*				
				1 year	2 years			
Main circuit	Inverter module, Converter module	Check resistance across terminals.			○	Disconnect cables from inverter and measure across terminals R, S, T ↔ P, N and U, V, W ↔ P, N with a meter range of 100Ω.	(Refer to page 189)	Analog meter
	Smoothing capacitor	(1) Check for liquid leakage. (2) Check for safety valve projection and bulge. (3) Measure electrostatic capacity.	○ ○		○	(1), (2) Visual check. (3) Measure with capacity meter.	(1), (2) No fault. (3) 85% or more of rated capacity.	Capacity meter
	Relay	(1) Check for chatter during operation. (2) Check for rough surface on contacts.		○ ○		(1) Auditory check. (2) Visual check.	(1) No fault. (2) No fault.	
	Resistor	(1) Check for crack in resistor insulation. (2) Check for open cable.		○ ○		(1) Visual check. Cement resistor, wire-wound resistor. (2) Disconnect one end and measure with a meter.	(1) No fault. (2) Error should be within ±10% of indicated resistance value.	Meter, digital multimeter
Control circuit Protective circuit	Operation check	(1) Check balance of output voltages across phases with inverter operated independently. (2) Perform sequence protective operation test to make sure of no fault in protective and display circuits.		○ ○		(1) Measure voltage across inverter output terminals U-V-W. (2) Simultaneously connect or disconnect inverter protective circuit output terminals.	(1) Phase-to-phase voltage balance within 4V (8V) for 200V (400V). (2) Fault must occur because of sequence.	Digital multimeter, rectifier type voltmeter
Cooling system	Cooling fan	(1) Check for unusual vibration and noise. (2) Check for loose connection.	○		○	(1) Turn by hand with power off. (2) Visual check	No unusual vibration, unusual noise.	
Display	Display	(1) Check if LED lamp is blown. (2) Clean.	○		○	(1) Light indicator lamps on panel. (2) Clean with rag.	(1) Check that lamps are lit.	
	Meter	Check that reading is normal.	○			Check reading of meters on panel.	Must satisfy specified and management values.	Voltmeter, ammeter, etc.
Motor	General	(1) Check for unusual vibration and noise. (2) Check for unusual odor.	○ ○			(1) Auditory, sensory, visual checks. (2) Check for unusual odor due to overheating, damage, etc.	(1), (2) No fault.	
	Insulation resistance	Check with megger (across terminals and ground terminal).			○	Disconnect cables from U, V, W, including motor cables.	5M Ω or more	500V megger

Note: The value for the 400V class is indicated in the parentheses.

*For periodic inspection, consult Mitsubishi.

● Checking the inverter and converter modules

<Preparation>

- (1) Disconnect the external power supply cables (R, S, T) and motor cables (U, V, W).
- (2) Prepare a meter. (Use 100Ω range.)

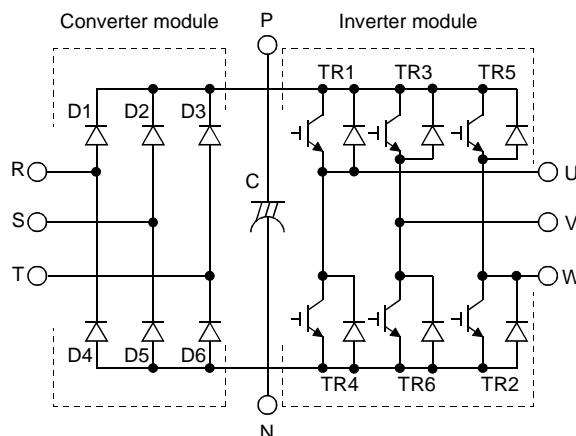
<Checking method>

Change the polarity of the tester alternately at the inverter terminals R, S, T, U, V, W, P and N, and check for continuity.

Note: 1. Before measurement, check that the smoothing capacitor is discharged.
 2. At the time of discontinuity, the measured value is an approximately ∞ value. ∞ may not be indicated if there is instantaneous continuity under the influence of the smoothing capacitor. At the time of continuity, the measured value is several to several ten Ω depending on the module type, circuit tester type, etc. If all measured values are almost the same, the modules are satisfactory.

<Module device numbers and terminals to be checked>

		Tester Polarity		Measured Value		Tester Polarity		Measured Value
		⊕	⊖			⊕	⊖	
Converter module	D1	R	P	Discontinuity	D4	R	N	Continuity
		P	R	Continuity		N	R	Discontinuity
	D2	S	P	Discontinuity	D5	S	N	Continuity
		P	S	Continuity		N	S	Discontinuity
	D3	T	P	Discontinuity	D6	T	N	Continuity
		P	T	Continuity		N	T	Discontinuity
Inverter module	TR1	U	P	Discontinuity	TR4	U	N	Continuity
		P	U	Continuity		N	U	Discontinuity
	TR3	V	P	Discontinuity	TR6	V	N	Continuity
		P	V	Continuity		N	V	Discontinuity
	TR5	W	P	Discontinuity	TR2	W	N	Continuity
		P	W	Continuity		N	W	Discontinuity



5.3.7 Replacement of parts

The inverter consists of many electronic parts such as semiconductor devices.

The following parts may deteriorate with age because of their structures or physical characteristics, leading to reduced performance or failure of the inverter. For preventive maintenance, the parts must be changed periodically.

Replacement Parts of the Inverter

Part Name	Standard Replacement Interval	Description
Cooling fan	2 to 3 years	Change (as required)
Smoothing capacitor in main circuit	5 years	Change (as required)
Smoothing capacitor on control board	5 years	Change the board (as required)
Relays	—	Change as required

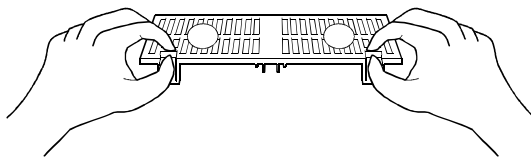
Note: For part replacement, contact the nearest Mitsubishi FA center.

(1) Cooling fan

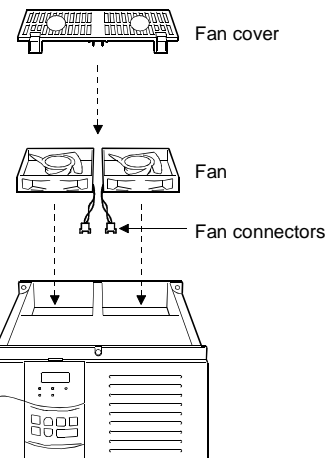
The cooling fan cools heat-generating parts such as the main circuit semiconductor devices. The life of the cooling fan bearing is usually 10,000 to 35,000 hours. Hence, the cooling fan must be changed every 2 to 3 years if the inverter is run continuously. When unusual noise and/or vibration is noticed during inspection, the cooling fan must be changed immediately.

● Removal

- 1) Push the catches from above and remove the fan cover.



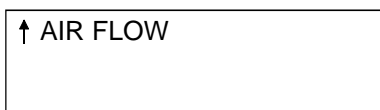
- 2) Disconnect the fan connector(s).
- 3) Remove the fan.



<Example: FR-B-5.5K(200V class)>

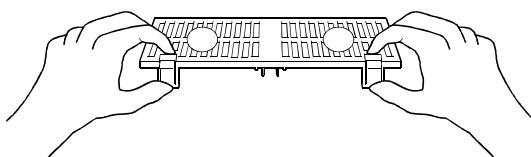
● Reinstallation

- 1) After confirming the orientation of the fan, reinstall the fan so that the arrow on the left of "AIR FLOW" faces up.



<Fan side face>

- 2) Reconnect the fan connectors.
When wiring, use care to avoid the cables being caught by the fan.
- 3) Reinstall the fan cover.



(2) Smoothing capacitors

A large-capacity aluminum electrolytic capacitor is used for smoothing the DC in the main circuit, and an aluminum electrolytic capacitor is also used for stabilizing the control power in the control circuit. Their characteristics are adversely affected by ripple current, etc. When the inverter is operated in an ordinary, air-conditioned environment, change the capacitors about every 5 years. When 5 years have elapsed, the capacitors will deteriorate more rapidly.

Check the capacitors at least every year (less than six months if their life will be expired soon).

Check the following:

- 1) Case (side faces and bottom face for expansion)
- 2) Sealing plate (for remarkable warping and extreme cracks)
- 3) Explosion-proof valve (for excessive valve expansion and operation)
- 4) Appearance, external cracks, discoloration, leakage. When the measured capacitance of the capacitor has reduced below 85% of the rating, change the capacitor.

It is recommended to use simple equipment, which is recently available on the market for measurement of capacitor capacitance.

(3) Relays

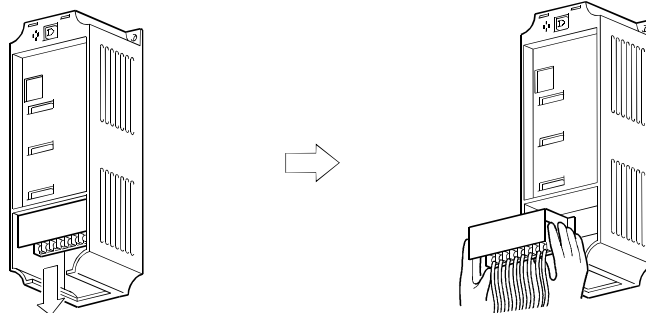
To prevent a contact fault, etc., relays must be changed according to the number of accumulative switching times (switching life).

See the following table for the inverter parts replacement guide. Lamps and other short-life parts must also be changed during periodic inspection.

5.3.8 Inverter replacement

The inverter can be changed with the control circuit wiring kept connected. Before replacement, remove the screws in the wiring cover of the inverter.

- 1) Remove the mounting screws in both ends of the control circuit terminal block.
- 2) With both hands, pull down the terminal block from the back of the control circuit terminals.



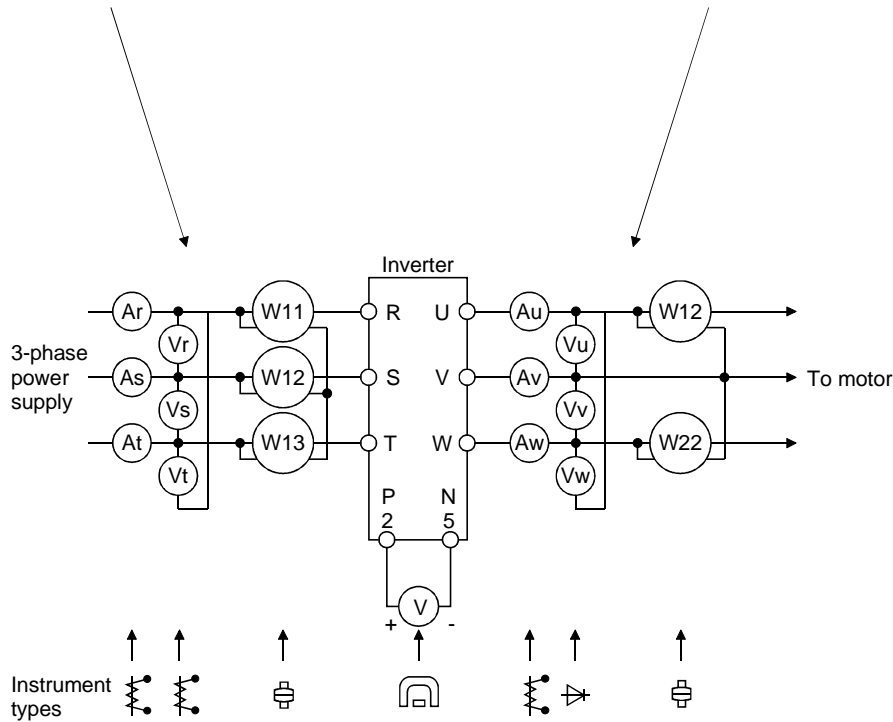
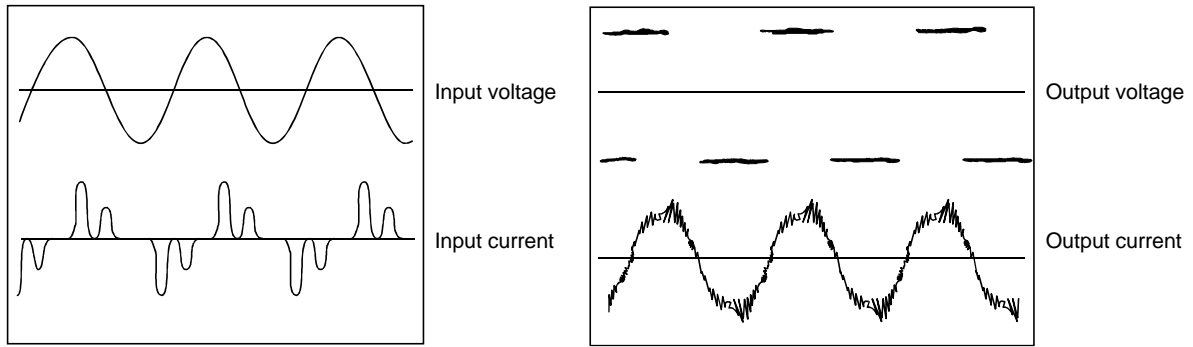
- 3) When installing the terminal block to a new inverter, exercise care not to bend the pins of the control circuit terminal block connector.

5.3.9 Measurement of main circuit voltages, currents and power

● Measurement of voltages and currents

Since the voltages and currents on the inverter power supply and output sides include harmonics, accurate measurement depends on the instruments used and circuits measured.

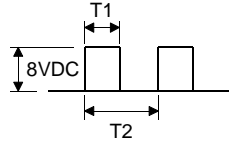
When instruments for commercial frequency are used for measurement, measure the following circuits using the instruments given on the next page.



Typical Measuring Points and Instruments

Note: Use an FFT to measure the output voltage accurately. Accurate measurement cannot be made if you use a tester or general measuring instrument.

Measuring Points and Instruments

Item	Measuring Point	Measuring Instrument	Remarks (Reference Measured Value) *	
Power supply voltage V ₁	Across R-S, S-T and T-R	Moving-iron type AC voltmeter	Commercial power supply Within permissible AC voltage fluctuation (Refer to page 194)	
Power supply side current I ₁	R, S and T line currents	Moving-iron type AC ammeter		
Power supply side power P ₁	At R, S and T, and across R-S, S-T and T-R	Electrodynamic type single-phase wattmeter	P ₁ = W ₁₁ + W ₁₂ + W ₁₃ (3-wattmeter method)	
Power supply side power factor Pf ₁	Calculate after measuring power supply voltage, power supply side current and power supply side power. $Pf_1 = \frac{P_1}{\sqrt{3} V_1 \times I_1} \times 100\%$			
Output side voltage V ₂	Across U-V, V-W and W-U	Rectifier type AC voltmeter (Note 1) (Not moving-iron type)	Difference between phases is within ±1% of maximum output voltage.	
Output side current I ₂	U, V and W line currents	Moving-iron type AC ammeter (Note 3)	Current should be equal to or less than rated inverter current. Difference between phases is 10% or lower.	
Output side power P ₂	At U, V and W, and across U-V and V-W	Electrodynamic type single-phase wattmeter	P ₂ = W ₂₁ + W ₂₂ 2-wattmeter method (or 3-wattmeter method)	
Output side power factor Pf ₂	Calculate in similar manner to power supply side power factor. $Pf_2 = \frac{P_2}{\sqrt{3} V_2 \times I_2} \times 100\%$			
Converter output	Across P-N	Moving-coil type (such as tester)	POWER lamp lit 1.35 × V ₁ Maximum 380V (760V) during regenerative operation	
Frequency setting signal	Across 2 (+) -5	Moving-coil type (Tester, etc. may be used) (Internal resistance: 50kΩ or larger)	0 to 5V/0 to 10VDC	"5" is common.
	Across 1 (+) -5		0 to ±5V/0 to ±10VDC	
Across 4 (+) -5	4 to 20mADC			
Frequency setting power supply	Across 10 (+) -5		5VDC	
	Across 10E (+) -5		10VDC	
Frequency meter signal	Across FM (+) -SD	Moving-coil type (Tester, etc. may be used) (Internal resistance: 50kΩ or larger)	Approximately 5VDC at maximum frequency (without frequency meter)	SD is common.
	Across AM (+) -5		 <p>Pulse width T1: Adjusted by Pr.900 Pulse cycle T2: Set by Pr.55 (Valid for frequency monitoring only)</p>	
Start signal	Across STF, STR, RH, RM, RL, JOG, RT, AU, STOP, CS (+) -SD	Approximately 10VDC at maximum frequency (without frequency meter)		
Select signal	Across RES (+) -SD	20 to 30VDC when open. ON voltage: 1VDC or less		
Reset	Across MRS (+) -SD			
Output stop				
Alarm signal	Across A-C Across B-C	Moving-coil type (such as tester)	Continuity check (Note 2) <At OFF> <At ON> Across A-C: Discontinuity Continuity Across B-C: Continuity Discontinuity	

- Note
1. A tester will not obtain accurate data.
 2. When Pr. 195 "A, B, C terminal function selection" setting is positive logic.
 3. Since the carrier frequency of the low acoustic noise type FR-B3-N(H) exceeds 5kHz, do not use the instrument because overcurrent losses occurring in the metallic parts inside the instrument may increase, leading to burnout. In this case, use an approximate effective value type instrument.

* Values in parentheses indicate those for 400V class.



MEMO

CHAPTER 6

SPECIFICATIONS

This chapter provides the "specifications" of this product.
Always read the instructions before using the equipment.

6.1 Standard Specifications 194

Chapter 1

Chapter 2

Chapter 3

Chapter 4

Chapter 5

Chapter 6

Chapter 7

6.1 Standard Specifications

SPECIFICATIONS

6.1.1 Model specifications

FR-B series (most suitable for inverter-driven, variable-torque, pressure-resistant, explosion-proof motors)

● 200V class

Type FR-B-□		750 (Note 8)			1500	2200	3700	5.5K	7.5K	11K	15K	22K	30K	37K	45K	
Applicable motor capacity (kW) (Note 1)	Variable torque type	0.2 (Note 8)	0.4	0.75	1.5	2.2	3.7	5.5	7.5	11	15	22	30	37	45	
	Constant torque type	—	0.4	—	0.75	1.5	2.2	3.7	5.5	7.5	11	15	18.5	22	30	37
Output	Rated capacity (kVA) (Note 2)	1.9			3.1	4.2	6.5	9.2	12.6	17.6	23.3	34	44	55	67	
	Continuous current (A)	5			8	11	17.5	24	33	46	61	90	115	145	175	
	Overload capacity (Note 3)	150% 60 s, 200% 0.5 s (inverse-time characteristics)														
	Voltage (Note 4)	Three phase, 200V 50Hz, 220V 60Hz														
	Regenerative braking torque	Maximum value/time	150%/5 s				100%/5 s				20% (Note 5)					
		Permissible duty	3%ED						2%ED		Continuous (Note 5)					
Power supply	Rated input AC voltage, frequency	Three phase, 200V 50Hz, 200/220V 60Hz														
	Permissible AC voltage fluctuation	180 to 220V 50Hz, 180 to 242V 60Hz														
	Permissible frequency fluctuation	±5%														
	Power supply system capacity (kVA) (Note 6)	Variable torque type	0.8	1.5	2.5	4.5	5.5	9	12	17	20	28	41	52	66	80
Constant torque type		—	1.5	—	2.2	4.5	5.5	9	12	17	20	28	34	41	52	66
Protective structure (JEM 1030)		Enclosed type (IP20) (Note 7)										Open type (IP00)				
Cooling system		Self-cooling				Forced air cooling										
Approx. weight (kg), with DU		2.5			3.5	3.5	3.5	6.0	6.0	8.0	13.0	13.0	30.0	40.0	40.0	

● **400V class**

Type FR-B-□		750			1500	2200	3700	7.5K		15K		22K	37K (Note 8)		55K	
Applicable motor capacity (kW) (Note 1)	Variable torque type	0.2 (Note 8)	0.4	0.75	1.5	2.2	3.7	5.5	7.5	11	15	22	30	37	45	
	Constant torque type	—	0.4	—	0.75	1.5	2.2	3.7	5.5	7.5	11	15	18.5	22	30	37
Output	Rated capacity (kVA) (Note 2)	1.9			3	4.6	6.9	13		23.6		32.8	54		84	
	Continuous current (A)	2.5			4	6	9	17		31		43	71		110	
	Overload capacity (Note 3)	150% 60 s 200% 0.5 s (inverse-time characteristics)														
	Voltage (Note 4)	Three phase, 400V 50Hz, 440V 60Hz														
	Regenerative braking torque	Maximum value/time	100%/5 s								20% (Note 5)					
		Permissible duty	2%ED								Continuous (Note 5)					
Power supply	Rated input AC voltage, frequency	Three phase, 400V 50Hz, 400/440V 60Hz														
	Permissible AC voltage fluctuation	360 to 440V 50Hz, 360 to 484V 60Hz														
	Permissible frequency fluctuation	±5%														
	Power supply system capacity (kVA) (Note 6)	Variable torque type	0.8	1.5	2.5	4.5	5.5	9	12	17	20	28	41	52	66	80
Constant torque type		—	1.5	—	4.5	5.5	—	9	12	17	20	28	34	41	52	66
Protective structure (JEM 1030)	Enclosed type (IP20) (Note 7)											Open type (IP00)				
Cooling system	Self-cooling					Forced air cooling										
Approx. weight (kg), with DU	3.5			3.5	3.5	3.5	6.0		13.0		13.0	35.0		36.0		

Note:

- The applicable motor capacity indicated is the maximum capacity applicable when Mitsubishi 4-pole pressure-resistant, explosion-proof motor is used. The motor is the X(E)F-(N)E series.
- The rated output capacity indicated assumes that the output voltage is 220V for 200V class and 440V for 400V class.
- The overload capacity indicated in % is the ratio of the overload current to the inverter's rated current. For repeated duty, allow time for the inverter and motor to return to or below the temperatures under 100% load.
- The maximum output voltage cannot exceed the power supply voltage. The maximum output voltage may be set as desired below the power supply voltage.
- The torque indicated is the average value for deceleration from 60Hz to a stop and varies with motor loss.
- The power supply capacity changes with the values of the power supply side inverter impedances (including those of the input reactor and cables).
- The open type (IP00) is used when the inboard option is fitted after removal of the option wiring port cover.
- When the inverter is used with this motor, the function of automatic restart after instantaneous power failure is limited. (Refer to Pr.75)

6.1.2 Specifications common to the FR-B series

Control specifications	Control system		Sine-wave PWM control (V/F constant control)	
	Output frequency range		0.2 to 120Hz (22K or less), 0.2 to 60Hz (30K or more)	
	Frequency setting resolution	Analog input	0.015Hz/60Hz (terminal 2 input: 12 bits/0 to 10V, 11 bits/0 to 5V, terminal 1 input: 12 bits/-10 to +10V, 11 bits/-5 to +5V)	
		Digital input	0.01Hz	
	Frequency accuracy		Within $\pm 0.2\%$ of maximum output frequency ($25^{\circ}\text{C} \pm 10^{\circ}\text{C}$) for analog input, within 0.01% of set output frequency for digital input	
	Voltage/frequency characteristic		Constant torque up to 60Hz, constant output between 60Hz and maximum. frequency (fixed)	
	Acceleration/deceleration time setting		0 to 3600 s (acceleration and deceleration can be set individually), linear or S-pattern acceleration/deceleration mode can be selected.	
	DC dynamic brake		Whether 3Hz (fixed) operation is performed or not can be selected.	
Stall prevention operation level		Operation current level can be set (0 to 200% variable), presence or absence can be selected.		
Operational specifications	Frequency setting signal	Analog input	0 to 5VDC, 0 to 10VDC, 0 to ± 10 VDC, 4 to 20mADC	
		Digital input	3-digit BCD or 12-bit binary using operation panel or parameter unit (when the FR-A5AX option is used)	
	Start signal		Forward and reverse rotation, start signal automatic self-holding input (3-wire input) can be selected.	
	Input signals	Multi-speed selection		Up to 15 speeds can be selected. (Each speed can be set between 0 and the maximum frequency, running speed can be changed during operation from the PU (FR-DU04/FR-PU04).)
		Second, third acceleration/ deceleration time selection		0 to 3600 s (up to three different accelerations and decelerations can be set individually.)
		Jog operation selection		Provided with jog operation mode select terminal (Note 1)
		Current input selection		Input of frequency setting signal 4 to 20mADC (terminal 4) is selected.
		Output stop		Instantaneous shut-off of inverter output (frequency, voltage)
		Alarm reset		Alarm retained at the activation of protective function is reset.
	Operation functions		Maximum/minimum frequency setting, frequency jump operation, external thermal relay input selection, polarity reversible operation, automatic restart operation after instantaneous power failure, forward/reverse rotation prevention, operation mode selection, PID control, programmed operation, computer link operation (RS-485)	
	Output signals	Operating status		5 different signals can be selected from inverter running, up to frequency, instantaneous power failure (undervoltage), frequency detection, second frequency detection, third frequency detection, during program mode operation, during PU operation, overload alarm, electronic overcurrent protection pre-alarm, zero current detection, output current detection, PID lower limit, PID upper limit, PID forward/reverse rotation, operation ready, fan fault and fin overheat pre-alarm minor fault. Open collector output.
		Alarm (inverter trip)		Contact output...1c contact (230VAC 0.3A, 30VDC 0.3A) Open collector...alarm code (4 bit) output
		For meter		1 signal can be selected from output frequency, motor current (steady or peak value), output voltage, frequency setting, running speed, converter output voltage (steady or peak value), electronic overcurrent protection load factor, input power, output power, load meter, and motor exciting current. Pulse train output (1440 pulses/s/full scale) and analog output (0 to 10VDC).
	Display	PU (FR-DU04 /FR-PU04)	Operating status	Selection can be made from output frequency, motor current (steady or peak value), output voltage, frequency setting, running speed, overload, converter output voltage (steady or peak value), electronic overcurrent protection load factor, input power, output power, load meter, motor exciting current, cumulative energization time, actual operation time, watt-hour meter, regenerative brake duty and motor load factor.
Alarm definition			Alarm definition is displayed when protective function is activated. 8 alarm definitions are stored. (Four alarm definitions are only displayed on the operation panel.)	
Additional display on parameter unit (FR-PU04) only		Operating status	Input terminal signal states, output terminal signal states, option fitting status, terminal assignment status	
		Alarm definition	Output voltage/current/frequency/cumulative energization time immediately before protective function is activated	
		Interactive guidance	Operation guide and troubleshooting by help function	

SPECIFICATIONS

Protective/alarm functions		Overcurrent shut-off (during acceleration, deceleration, constant speed), regenerative overvoltage shut-off, undervoltage, instantaneous power failure, overload shut-off (electronic overcurrent protection), brake transistor alarm (Note 2), ground fault current, output short circuit, main circuit device overheat, stall prevention, overload alarm, brake resistor overheat protection, fin overheat, fan fault, option fault, parameter error, PU disconnection, retry count exceeded, output phase failure, CPU error, 24VDC power output short circuit, operation panel power supply short circuit
Environment	Ambient temperature	-10°C to +50°C (non-freezing) (-10°C to +40°C with FR-A5CV□□ attachment)
	Ambient humidity	90%RH or less (non-condensing)
	Storage temperature (Note 3)	-20°C to +65°C
	Ambience	Indoors. (No corrosive and flammable gases, oil mist, dust and dirt.)
	Altitude, vibration	Maximum 1000m above sea level for standard operation. 5.9m/s ² or less (conforming to JIS C0911)

- Note: 1. Jog operation may also be performed from the operation panel or parameter unit.
 2. Not provided for the FR-B-11K to 45K (200V class) and FR-B-15K to 55K (400V class) which do not have a built-in brake circuit.
 3. Temperature applicable for a short period in transit, etc.

6.1.3 Model specifications

FR-B3 series (most suitable for inverter-driven, constant-torque, pressure-resistant, explosion-proof motors)

● 200V class

Type FR-B3-(N)-□□		400	750	1500	2200	3700	5.5K	7.5K	11K	15K	18.5K	22K	30K	37K
Applicable motor capacity (Note 1)	kW	0.4	0.75	1.5	2.2	3.7	5.5	7.5	11	15	18.5	22	30	37
	Rated capacity (kVA) (Note 2)	1.1	1.9	3.1	4.2	6.7	9.2	12.6	17.6	23.3	29	34	44	55
Output	Continuous current (A)	3	5	8	11	17	24	33	46	61	76	90	115	145
	Overload capacity (Note 3)	150% 60 seconds, 200% 0.5 seconds (inverse-time characteristics)												
	Voltage	Output according to pressure-resistant, explosion-proof motor												
	Regenerative braking torque	Maximum value/time	150% 5 seconds			100% 5 seconds			20% (Note 4)					
		Permissible duty	3%ED			2%ED			Continuous (Note 4)					
Power supply	Rated input AC voltage, frequency	Three phase, 200V 50Hz, 200/220V 60Hz												
	Permissible AC voltage fluctuation	180 to 220V 50Hz, 180 to 242V 60Hz												
	Permissible frequency fluctuation	±5%												
	Power supply system capacity (kVA) (Note 5)	1.5	2.5	4.5	5.5	9	12	17	20	28	34	41	52	66
Protective structure (JEM 1030)	Enclosed type (IP20) (Note 6)												Open type (IP00)	
Cooling system	Self-cooling			Forced air cooling										
Approx. weight (kg), with DU	2.0	2.5	3.5	3.5	3.5	6.0	6.0	8.0	13.0	13.0	13.0	30.0	40.0	

● **400V class**

Type FR-B3-(N)H-□□		400	750	1500	2200	3700	5.5K	7.5K	11K	15K	18.5 K	22K	30K	37K
Applicable motor capacity (Note 1)	kW	0.4	0.75	1.5	2.2	3.7	5.5	7.5	11	15	18.5	22	30	37
Output	Rated capacity (kVA) (Note 2)	1.1	1.9	3	4.6	6.9	9.1	13	17.5	23.6	29	32.8	43.4	54
	Continuous current (A)	1.5	2.5	4	6	9	12	17	23	31	38	43	57	71
	Overload capacity (Note 3)	150% 60 seconds, 200% 0.5 seconds (inverse-time characteristics)												
	Voltage	Output according to pressure-resistant, explosion-proof motor												
	Regenerative braking torque	Maximum value/time	100% 5 seconds						20% (Note 4)					
Permissible duty		2%ED						Continuous (Note 4)						
Power supply	Rated input AC voltage, frequency	Three phase, 400V/440V 60Hz												
	Permissible AC voltage fluctuation	360 to 440V 50Hz, 360 to 484V 60Hz												
	Permissible frequency fluctuation	±5%												
	Power supply system capacity (kVA) (Note 5)	1.5	2.5	4.5	5.5	9	12	17	20	28	34	41	52	66
Protective structure (JEM 1030)	Enclosed type (IP20) (Note 6)											Open type (IP00)		
Cooling system	Self-cooling					Forced air cooling								
Approx. weight (kg), with DU	3.5	3.5	3.5	3.5	3.5	6.0	6.0	13.0	13.0	13.0	13.0	24.0	35.0	

Note: 1. The applicable motor capacity indicated is the maximum capacity applicable when the Mitsubishi 4-pole pressure-resistant, explosion-proof motor is used.
 The motor is the X(E)F-(N)ECA-2 series for the FR-B3-(H)400 to 37K, and the X(E)F-(N)ECA-1 series for the FR-B3-N(H)400 to 37K.

2. The rated output capacity indicated assumes that the output voltage is 220V for 200V class and 440V for 400V class.

3. The overload capacity indicated in % is the ratio of the overload current to the inverter's rated current. For repeated duty, allow time for the inverter and motor to return to or below the temperatures under 100% load.

4. The torque indicated is the average value for deceleration from 60Hz to a stop and varies with motor loss.

5. The power supply capacity changes with the values of the power supply side inverter impedances (including those of the input reactor and cables).

6. The open type (IP00) is used when the inboard option is fitted after removal of the option wiring port cover.

6.1.4 Specifications common to the FR-B3 series

Control specifications	Control system		Soft-PWM control/high carrier frequency PWM control (advanced magnetic flux vector control can be selected)
	Output frequency range		0.2 to 400Hz (may be used with the maximum frequency being restricted depending on the motor)
	Frequency setting resolution	Analog input	0.015Hz/60Hz (terminal 2 input: 12 bits/0 to 10V, 11 bits/0 to 5V, terminal 1 input: 12 bits/-10 to +10V, 11 bits/-5 to +5V)
		Digital input	0.01Hz
	Frequency accuracy		Within ±0.2% of maximum output frequency (25°C ±10°C for analog input, within 0.01% of set output frequency for digital input)
	Voltage/frequency characteristic		Constant torque up to 60Hz, constant output from 60Hz to maximum frequency (when rated motor frequency is set to 60Hz)
	Starting torque		150%: At 0.5Hz (for advanced magnetic flux vector control)
	Acceleration/deceleration time setting		0 to 3600 s (acceleration and deceleration can be set individually), linear or S-pattern acceleration/deceleration mode can be selected.
	DC dynamic brake		Operation frequency (0 to 120Hz), operation time (0 to 10 s), voltage (0 to 30%) variable
Stall prevention operation level		Operation current level can be set (0 to 200% variable), presence or absence can be selected.	
Operational specifications	Frequency setting signal	Analog input	0 to 5VDC, 0 to 10VDC, 0 to ±10VDC, 4 to 20mADC
		Digital input	3-digit BCD or 12-bit binary using operation panel or parameter unit (when the FR-A5AX option is used)
	Start signal		Forward and reverse rotation, start signal automatic self-holding input (3-wire input) can be selected.
	Input signals	Multi-speed selection	Up to 15 speeds can be selected [each speed can be set between 0 and 400Hz (may be used with the maximum frequency being restricted depending on the motor), running speed can be changed during operation from the PU (FR-DU04/FR-PU04)]
		Second, third acceleration/ deceleration time selection	0 to 3600 seconds (up to three different accelerations and decelerations can be set individually.)
		Jog operation selection	Provided with jog operation mode select terminal (Note 1)
		Current input selection	Input of frequency setting signal 4 to 20mADC (terminal 4) is selected.
		Output stop	Instantaneous shut-off of inverter output (frequency, voltage)
		Alarm reset	Alarm retained at the activation of protective function is reset.
	Operation functions		Maximum/minimum frequency setting, frequency jump operation, external thermal relay input selection, polarity reversible operation, automatic restart operation after instantaneous power failure, commercial power supply-inverter switch-over operation, forward/reverse rotation prevention, slip compensation, operation mode selection, offline auto tuning function, online auto tuning function, PID control, programmed operation, computer link operation (RS-485)
	Output signals	Operating status	5 different signals can be selected from inverter running, up to frequency, instantaneous power failure (undervoltage), frequency detection, second frequency detection, third frequency detection, during program mode operation, during PU operation, overload alarm, regenerative brake pre-alarm, electronic overcurrent protection pre-alarm, zero current detection, output current detection, PID lower limit, PID upper limit, PID forward/reverse rotation, commercial power supply-inverter switch-over MC1, 2, 3, operation ready, brake release request, fan fault and fin overheat pre-alarm minor fault. Open collector output.
		Alarm (inverter trip)	Contact output...change-over contact (230VAC 0.3A, 30VDC 0.3A) Open collector...alarm code (4 bit) output
		For meter	1 signal can be selected from output frequency, motor current (steady or peak value), output voltage, frequency setting, running speed, motor torque, converter output voltage (steady or peak value), regenerative brake duty, electronic overcurrent protection load factor, input power, output power, load meter, and motor exciting current. Pulse train output (1440 pulses/s/full scale) and analog output (0 to 10VDC).
Display	PU (FR-DU04 /FR-PU04)	Operating status	Selection can be made from output frequency, motor current (steady or peak value), output voltage, frequency setting, running speed, motor torque, overload, converter output voltage (steady or peak value), electronic overcurrent protection load factor, input power, output power, load meter, motor exciting current, cumulative energization time, actual operation time, watt-hour meter, regenerative brake duty and motor load factor.
		Alarm definition	Alarm definition is displayed when protective function is activated. 8 alarm definitions are stored. (Four alarm definitions are only displayed on the operation panel.)
	Additional display on parameter unit (FR-PU04) only	Operating status	Input terminal signal states, output terminal signal states, option fitting status, terminal assignment status
		Alarm definition	Output voltage/current/frequency/cumulative energization time immediately before protective function is activated
		Interactive guidance	Operation guide and troubleshooting by help function

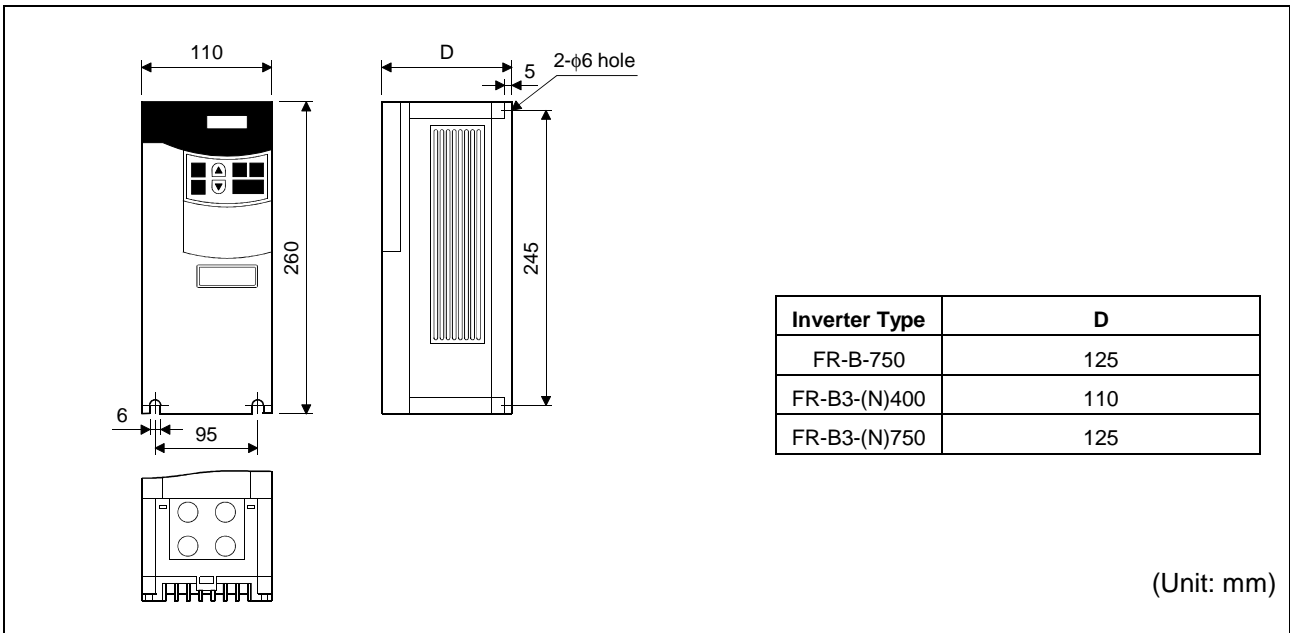
SPECIFICATIONS

Protective/alarm functions		Overcurrent shut-off (during acceleration, deceleration, constant speed), regenerative overvoltage shut-off, undervoltage, instantaneous power failure, overload shut-off (electronic overcurrent protection), brake transistor alarm (Note 2), ground fault current, output short circuit, main circuit device overheat, stall prevention, overload alarm, brake resistor overheat protection, fin overheat, fan fault, option fault, parameter error, PU disconnection, retry count exceeded, output phase failure, CPU error, 24VDC power output short circuit, operation panel power supply short circuit
Environment	Ambient temperature	Constant torque: -10°C to +50°C (non-freezing) (-10°C to +40°C with FR-A5CV□□ attachment)
	Ambient humidity	90%RH or less (non-condensing)
	Storage temperature (Note 3)	-20°C to +65°C
	Ambience	Indoors. (No corrosive and flammable gases, oil mist, dust and dirt.)
Altitude, vibration		Maximum 1000m above sea level for standard operation. After that derate by 3% for every extra 500m up to 2500m (91%). 5.9m/s ² or less (conforming to JIS C0911)

- Note: 1. Jog operation may also be performed from the operation panel or parameter unit.
2. Not provided for the FR-B3-(N)11K to 37K and FR-B3-(N)H11K to 37K which do not have a built-in brake circuit.
3. Temperature applicable for a short period in transit, etc.

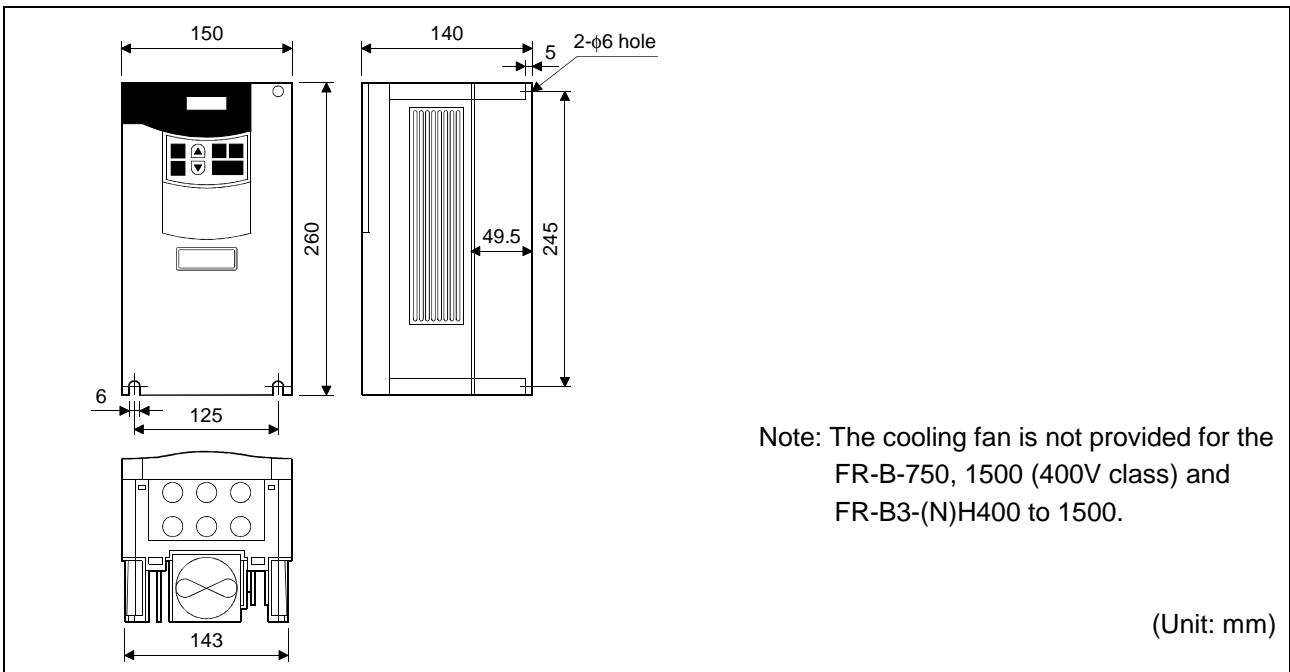
6.1.5 Outline drawings

● **FR-B-750 (200V class), FR-B3-(N)400, 750**



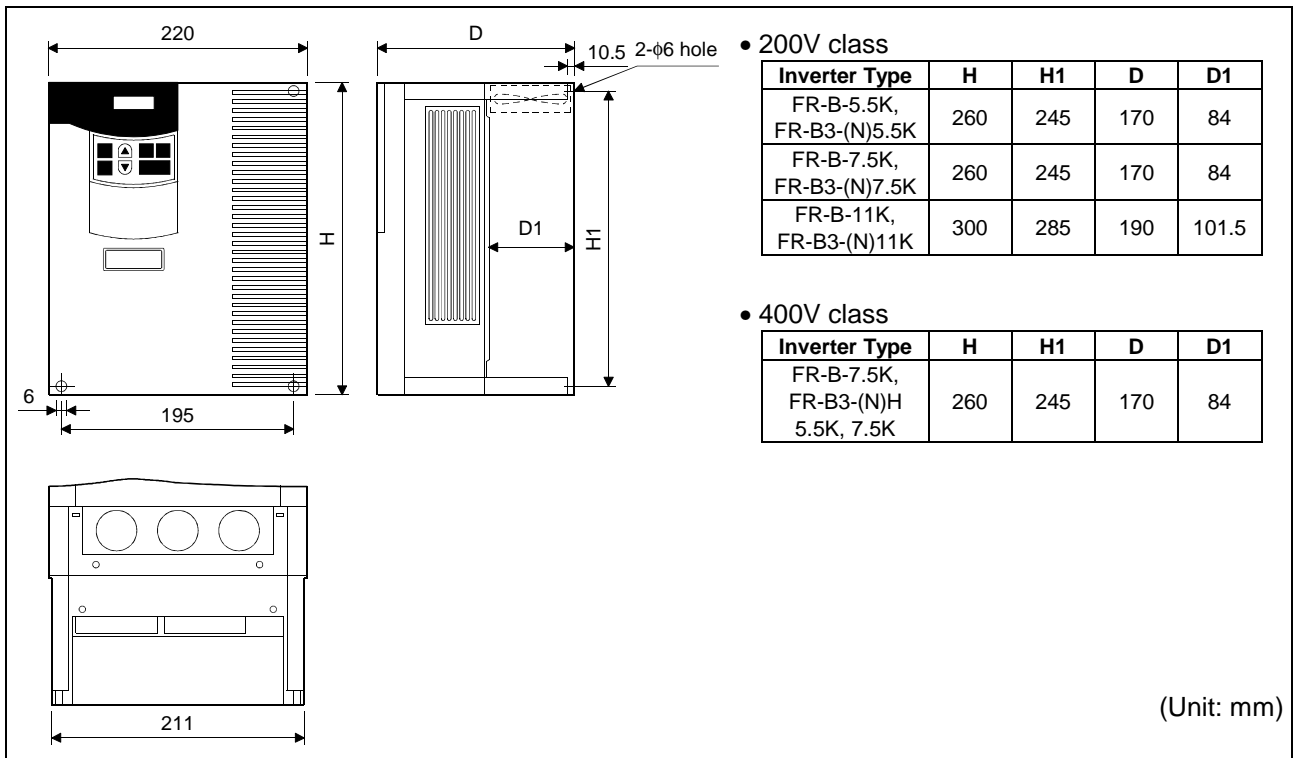
● **FR-B-1500 to 3700 (200V class), FR-B3-(N)1500 to 3700**

● **FR-B-750 to 3700 (400V class), FR-B3-(N)H400 to 3700**

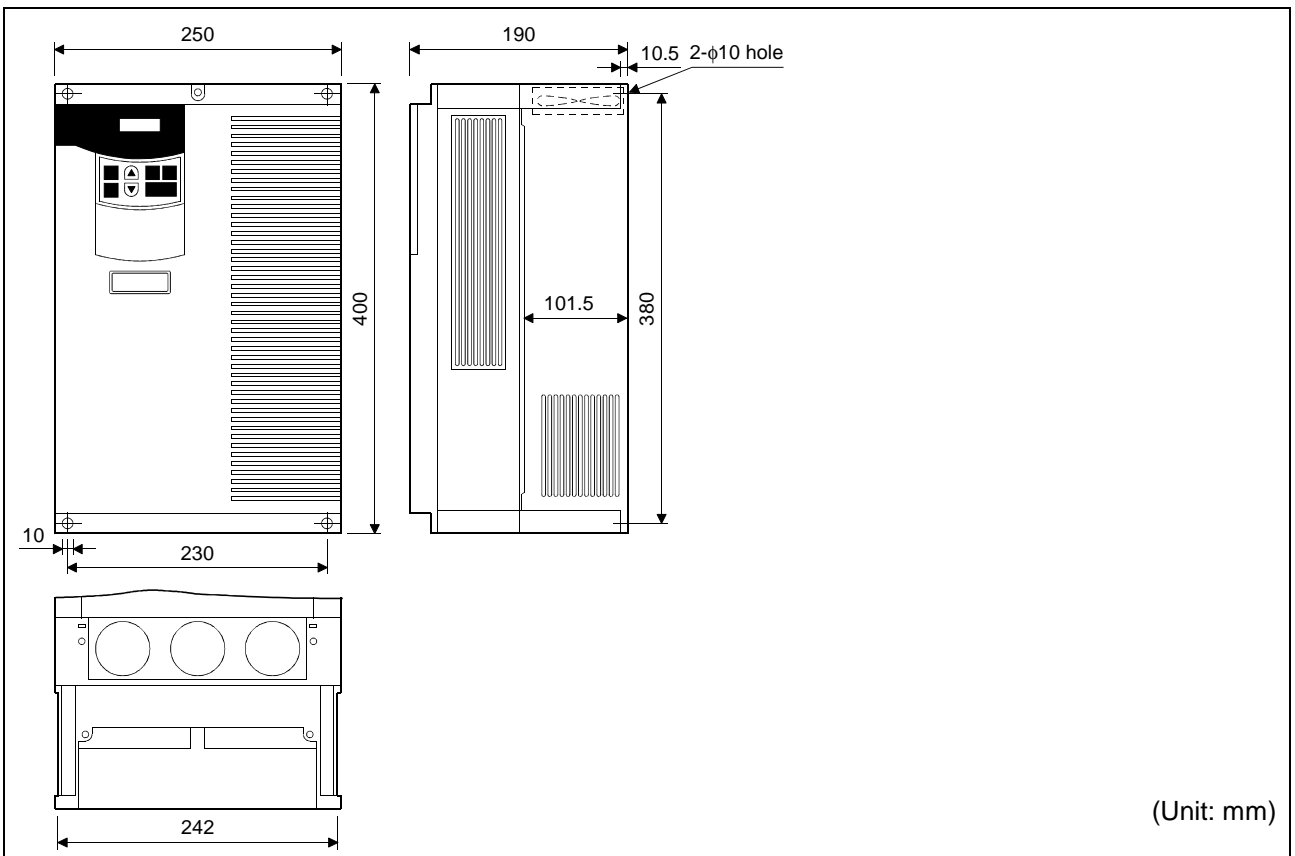


SPECIFICATIONS

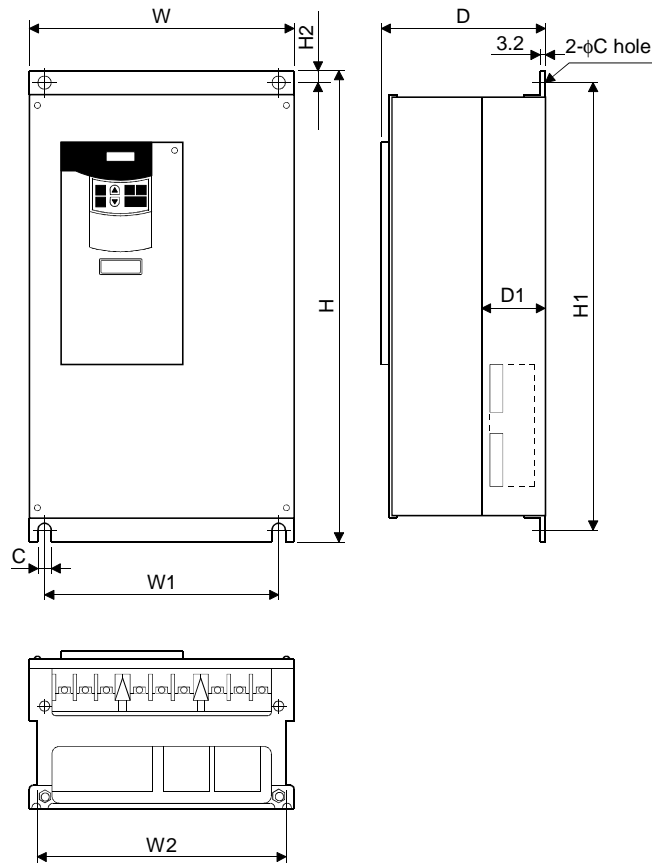
- FR-B-5.5K, 7.5K, 11K (200V class), FR-B3-(N)5.5K to 11K
- FR-B-7.5K (400V class), FR-B3-(N)H5.5K, 7.5K



- FR-B-15K, 22K (200V class), FR-B3-(N)15K to 22K
- FR-B-15K, 22K (400V class), FR-B3-(N)H11K to 22K



- FR-B-30K, 37K, 45K (200V class), FR-B3-(N)30K to 37K
- FR-B-37K, 55K (400V class), FR-B3-(N)H30K to 37K



● 200V class

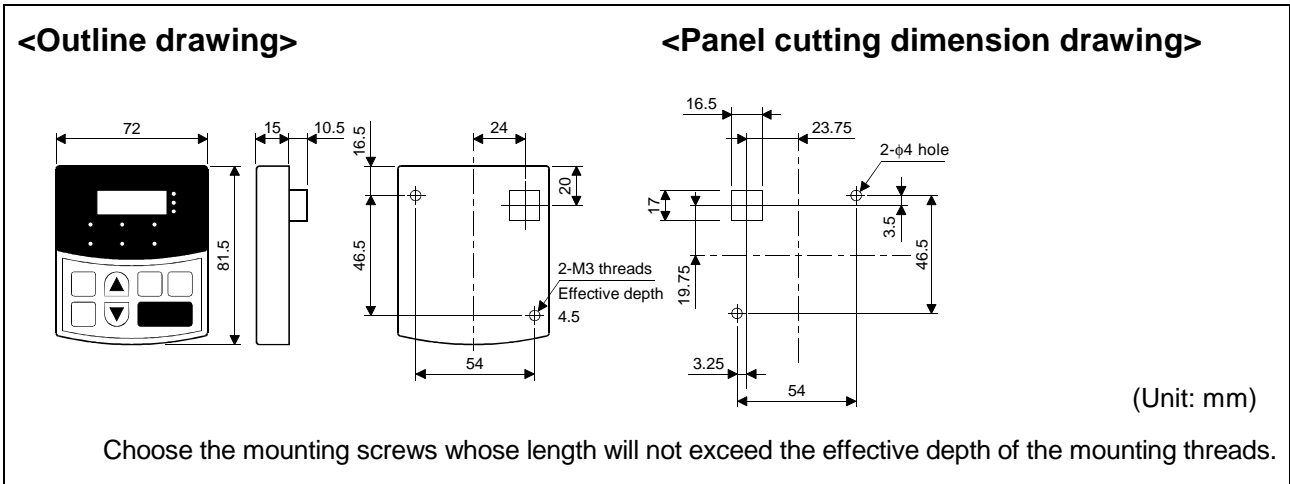
Inverter Type	W	W1	W2	H	H1	H2	D	D1	C
FR-B-30K, FR-B3-(N)30K	340	270	320	550	530	10	195	71.5	10
FR-B-37K, FR-B3-(N)37K	450	380	430	550	525	15	250	154	12
FR-B-45K	450	380	430	550	525	15	250	154	12

● 400V class

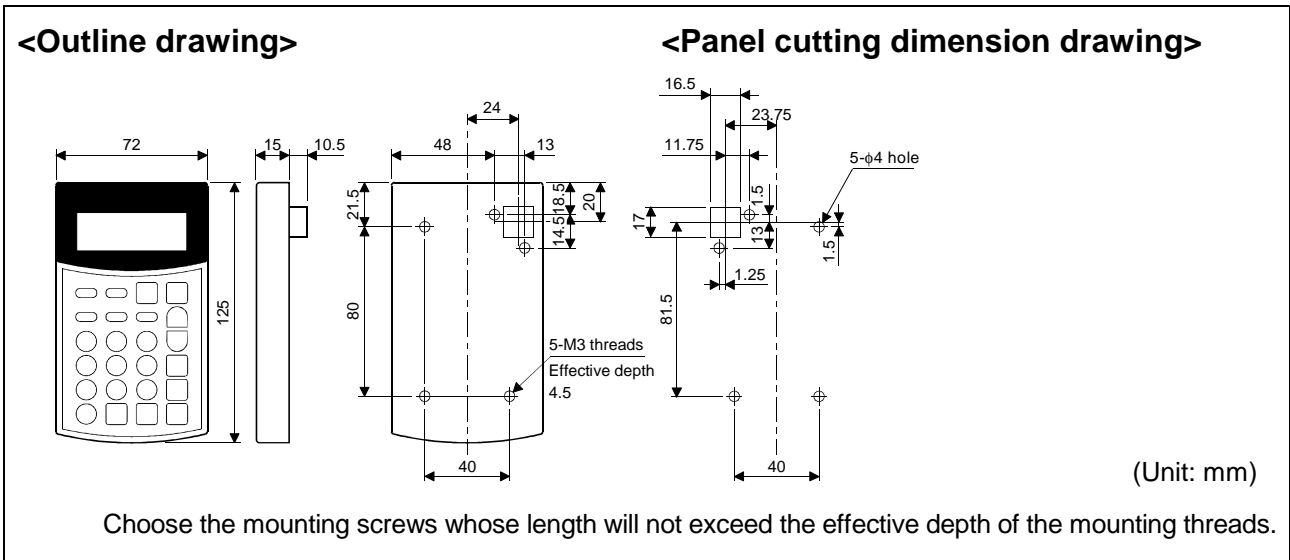
Inverter Type	W	W1	W2	H	H1	H2	D	D1	C
FR-B3-(N)H30K	340	270	320	550	530	10	195	71.5	10
FR-B-37K, FR-B3-(N)H37K	450	380	430	550	525	15	250	154	12
FR-B-55K	450	380	430	550	525	15	250	154	12

(Unit: mm)

● **Operation panel (FR-DU04)**



● **Parameter unit (FR-PU04)**



CHAPTER 7

OPTIONS

This chapter describes the "options" of this product.
Always read the instructions before using the equipment.

7.1 Option List.....	205
----------------------	-----

Chapter 1

Chapter 2

Chapter 3

Chapter 4

Chapter 5

Chapter 6

Chapter 7

7.1 Option List

OPTIONS

7.1.1 Stand-alone options

Name	Type	Application, Specifications, etc.	Applicable Inverter
Parameter unit (8 languages)	FR-PU04	Interactive parameter unit using LCD display (For use in Japanese, English, German, French, Spanish, Italian, Swedish and Finnish)	Common to all models
Parameter unit connection cable	FR-CB2□□	Cable for connection of the operation panel or parameter unit.	
Cooling fin protrusion attachment	FR-A5CN□□	Used to place only the heat generating section of the inverter in the back of the control box.	1.5K to 55K, according to capacity
totally enclosed structure specification attachment	FR-A5CV□□	By installing this option, the inverter meets the totally enclosed structure specifications (IP40).	0.75K to 22K, according to capacity
Attachment for conduit connection	FR-A5FN□□	Used to connect a conduit directly.	30K to 55K, according to capacity
Installation interchange attachment	FR-A5AT□□	Mounting plate used to make the mounting dimensions identical to those of the FR-B <A200 EXCELLENT> series.	0.75K to 55K, according to capacity
EMC Directive compatible noise filter (Note 3)	SF□□	Noise filter conforming to the EMC Directive (EN50081-2)	0.75K to 55K, according to capacity
Power factor improving DC reactor	FR-BEL-(H)□□ (Note 1)	Used to improve the inverter input power factor (overall power factor about 95%) and cooperate with the power supply.	0.75K to 55K, according to capacity
Power factor improving AC reactor	FR-BAL-(H)□□ (Note 1)	Used to improve the inverter input power factor (overall power factor about 90%) and cooperate with the power supply.	0.75K to 55K, according to capacity
Radio noise filter	FR-BIF-(H)□□ (Note 1)	For radio noise reduction	Common to all models
Line noise filter	FR-BSF01	For line noise reduction (applies to small capacities of 3.7kW or less)	
	FR-BLF	For line noise reduction	
BU brake unit (Note 3)	BU-1500 to 15K, H7.5K to H30K	Used to improve the braking capability of the inverter (for high-inertia load or negative load).	According to capacity
Brake unit (Note 3)	FR-BU-15K to 55K, H15K to H55K	Used to improve the braking capability of the inverter (for high-inertia load or negative load). Use the brake unit and resistor unit together.	
Resistor unit (Note 3)	FR-BR-15K to 55K, H15K to H55K		
Power return converter (Note 3)	FR-RC-15K to 55K, H15K to H55K	High-function brake unit which can return motor-generated braking energy to the power supply.	
Manual controller	FR-AX (Note 4)	For independent operation. With frequency meter, frequency setting potentiometer and start switch.	Common to all models
DC tach. follower	FR-AL (Note 4)	For joint operation using external signals. (0 to 5VDC, 0 to 10VDC) (1VA) (Note 2)	
Three speed selector	FR-AT (Note 4)	For three-speed (high, middle, low) switching operation. (1.5VA)	
Motorized speed setter	FR-FK (Note 4)	For remote operation. Allows operation to be controlled from several places. (5VA)	
Ratio setter	FR-FH (Note 4)	For ratio control. Allows ratios to be set to five inverters. (3VA)	

OPTIONS

Name	Type	Application, Specifications, etc.	Applicable Inverter
PG follower (Note 4)	FR-FP	For follow-up operation using the signal of a pilot generator (PG). (2VA)	Common to all models
Master controller (Note 4)	FR-FG	For parallel operation of several (up to 35) inverters. (5VA)	
Soft starter (Note 4)	FR-FC	For soft start and stop. Allows parallel operation and acceleration/deceleration. (3VA)	
Deviation detector (Note 4)	FR-FD	For synchronous operation. Used with a deviation sensor and synchro. (5VA)	
Preamplifier (Note 4)	FR-FA	Can be used as A/V conversion or operational amplifier. (3VA)	
Pilot generator (Note 4)	QVAH-10	For follow-up operation. 70/35VAC 500Hz (at 2500r/min)	
Deviation sensor (Note 4)	YVGC-500W-NS	For synchronous operation (mechanical deviation detection). Output 90VAC/90°	
Frequency setting potentiometer (Note 4)	WA2W 1kΩ	For frequency setting. Wire-wound type. 2W 1KΩ B characteristic.	
Frequency meter (Note 4)	YM206RI 1mA	Dedicated frequency meter (up to 120Hz scale). Moving-coil DC ammeter.	
Calibration resistor (Note 4)	RV24YN 10kΩ	For calibration of the frequency meter. Carbon-film type. B characteristic.	

- Note: 1. "H" in the type code indicates 400V class. Power supply specifications of FR series controllers and setters: 200VAC 50Hz, 200V/220VAC 60Hz, 115VAC 60Hz.
2. Rated power consumption
 3. When using this option, the explosion-proof certification test is required separately.
 4. Options available in Japan only.

7.1.2 Inboard dedicated options

● Inboard options

Name	Type	Function	
12-bit digital input	FR-A5AX	<ul style="list-style-type: none"> Input interface used to set the inverter frequency accurately using external 3-digit BCD or 12-bit binary-coded digital signals. Gains and offsets can also be adjusted. 	
Digital output	FR-A5AY	<ul style="list-style-type: none"> Among 21 standard output signals of the inverter, this option outputs any 7 selected signals from open collector output terminals. 	
Extension analog output		<ul style="list-style-type: none"> Outputs extra 16 signals which can be monitored on the FM and AM terminals such as output frequency, output voltage and output current, etc. 20mADC or 5V (10V) DC meter can be connected. 	
Relay output	FR-A5AR	<ul style="list-style-type: none"> Among 21 standard output signals of the inverter, this option outputs any 3 selected signals from relay contact output terminals. 	
Orientation, PLG output (Note 3) (Note 4)	FR-A5AP	<ul style="list-style-type: none"> Used with a position detector (pulse encoder) installed on a machine tool spindle to stop the spindle in position (orientation control). The motor speed is detected by the pulse encoder and this detection signal is fed back to the inverter to automatically compensate for speed variation. Hence, the motor speed can be kept constant if load variation occurs. The current spindle position and actual motor speed can be monitored on the operation panel or parameter unit. 	
Pulse train input		<ul style="list-style-type: none"> A pulse train signal can be used to enter the speed command to the inverter. 	
Communication	Computer link	FR-A5NR	<ul style="list-style-type: none"> Operation/monitoring/parameter change of the inverter can be performed under the control of a user program from a computer, e.g. personal computer or FA controller, connected by a communication cable.
	Relay output		<ul style="list-style-type: none"> Any one-output signal can be selected from among the standard output signals of the inverter and output as a relay contact (1c contact) signal.
	Profibus DP	FR-A5NP	<ul style="list-style-type: none"> Operation/monitoring/parameter change of the inverter can be performed from a computer or PLC.
	Device Net™	FR-A5ND	<ul style="list-style-type: none"> Operation/monitoring/parameter change of the inverter can be performed from a computer or PLC.
	CC-Link (Note 2)	FR-A5NC	<ul style="list-style-type: none"> Operation/monitoring/parameter change of the inverter can be performed from a PLC.
	Modbus Plus	FR-A5NM	<ul style="list-style-type: none"> Operation/monitoring/parameter change of the inverter can be performed from a computer or PLC.

- Note: 1. Three inboard options may be mounted at the same time (the number of the same options mountable is only one, and only one of the communication options may be mounted.)
 2. CC-Link stands for Control & Communication Link.
 3. The FR-A5AX (12-bit digital input) is required for orientation control.
 4. When using PLG feedback in this option, the explosion-proof certification test is required separately. Also in the FR-B series, magnetic flux vector control operation cannot be performed.

APPENDICES

This chapter provides the "appendices" for use of this product.

Always read the instructions before using the equipment.

Appendix 1 Data Code List	208
---------------------------------	-----

APPENDIX 1 Data Code List

APPENDICES

Function	Parameter Number	Name	Data Codes			
			Read	Write	Link Parameter Extension Setting (Data code 7F/FF)	
Basic functions	1	Maximum frequency	01	81	0	
	2	Minimum frequency	02	82	0	
	4	Multi-speed setting (high speed)	04	84	0	
	5	Multi-speed setting (middle speed)	05	85	0	
	6	Multi-speed setting (low speed)	06	86	0	
	7	Acceleration time	07	87	0	
	8	Deceleration time	08	88	0	
	9	Electronic thermal O/L relay	09	89	0	
	Standard operation functions	10	DC injection brake operation frequency	0A	8A	0
11		DC injection brake operation time	0B	8B	0	
12		DC injection brake voltage	0C	8C	0	
13		Starting frequency	0D	8D	0	
15		Jog frequency	0F	8F	0	
16		Jog acceleration/deceleration time	10	90	0	
17		MRS input selection	11	91	0	
18		High-speed maximum frequency	12	92	0	
20		Acceleration/deceleration reference frequency	14	94	0	
21		Acceleration/deceleration time increments	15	95	0	
22		Stall prevention operation level	16	96	0	
23		Stall prevention operation level compensation factor at double speed	17	97	0	
24		Multi-speed setting (speed 4)	18	98	0	
25		Multi-speed setting (speed 5)	19	99	0	
26		Multi-speed setting (speed 6)	1A	9A	0	
27		Multi-speed setting (speed 7)	1B	9B	0	
28		Multi-speed input compensation	1C	9C	0	
29		Acceleration/deceleration pattern	1D	9D	0	
30		Regenerative function selection	1E	9E	0	
31		Frequency jump 1A	1F	9F	0	
32		Frequency jump 1B	20	A0	0	
33		Frequency jump 2A	21	A1	0	
34		Frequency jump 2B	22	A2	0	
35		Frequency jump 3A	23	A3	0	
36		Frequency jump 3B	24	A4	0	
37		Speed display	25	A5	0	
Output terminal functions		41	Up-to-frequency sensitivity	29	A9	0
		42	Output frequency detection	2A	AA	0
	43	Output frequency detection for reverse rotation	2B	AB	0	
Second functions	44	Second acceleration/deceleration time	2C	AC	0	
	45	Second deceleration time	2D	AD	0	
	48	Second stall prevention operation current	30	B0	0	
	49	Second stall prevention operation frequency	31	B1	0	
	50	Second output frequency detection	32	B2	0	
Display functions	52	DU/PU main display data selection	34	B4	0	
	53	PU level display data selection	35	B5	0	
	54	FM terminal function selection	36	B6	0	
	55	Frequency monitoring reference	37	B7	0	
Automatic restart functions	56	Current monitoring reference	38	B8	0	
	57	Restart coasting time	39	B9	0	
	58	Restart cushion time	3A	BA	0	

Function	Parameter Number	Name	Data Codes		
			Read	Write	Link Parameter Extension Setting (Data code 7F/FF)
Additional function	59	Remote setting function selection	3B	BB	0
Operation selection functions	60	Intelligent mode selection	3C	BC	0
	61	Reference I for intelligent mode	3D	BD	0
	62	Ref. I for intelligent mode accel	3E	BE	0
	63	Ref. I for intelligent mode decel	3F	BF	0
	64	Starting frequency for elevator mode	40	C0	0
	65	Retry selection	41	C1	0
	66	Stall prevention operation level reduction starting frequency	42	C2	0
	67	Number of retries at alarm occurrence	43	C3	0
	68	Retry waiting time	44	C4	0
	69	Retry count display erasure	45	C5	0
	70	Special regenerative brake duty	46	C6	0
	71	Applied motor	47	C7	0
	72	PWM frequency selection	48	C8	0
	73	0-5V/0-10V selection	49	C9	0
	74	Filter time constant	4A	CA	0
	75	Reset selection/disconnected PU detection/PU stop selection	4B	CB	0
	76	Alarm code output selection	4C	CC	0
77	Parameter write disable selection	4D	None	0	
78	Reverse rotation prevention selection	4E	CE	0	
79	Operation mode selection	4F	None	0	
Advanced magnetic flux vector control	80	Motor capacity	50	D0	0
	81	Number of motor poles	51	D1	0
	82	Motor exciting current	52	D2	0
	83	Rated motor voltage	53	D3	0
	84	Rated motor frequency	54	D4	0
	89	Speed control gain	59	D9	0
	90	Motor constant (R1)	5A	DA	0
	91	Motor constant (R2)	5B	DB	0
	92	Motor constant (L1)	5C	DC	0
	93	Motor constant (L2)	5D	DD	0
94	Motor constant (X)	5E	DE	0	
96	Auto tuning setting/status	60	E0	0	
Third functions	110	Third acceleration/deceleration time	0A	8A	1
	111	Third deceleration time	0B	8B	1
	114	Third stall prevention operation current	0E	8E	1
	115	Third stall prevention operation frequency	0F	8F	1
	116	Third output frequency detection	10	90	1

Function	Parameter Number	Name	Data Codes		
			Read	Write	Link Parameter Extension Setting (Data code 7F/FF)
Communication functions	117	Station number	11	91	1
	118	Communication speed	12	92	1
	119	Stop bit length	13	93	1
	120	Parity check presence/absence	14	94	1
	121	Number of communication retries	15	95	1
	122	Communication check time interval	16	96	1
	123	Waiting time setting	17	97	1
	124	CR-LF presence/absence selection	18	98	1
PID control	128	PID action selection	1C	9C	1
	129	PID proportional band	1D	9D	1
	130	PID integral time	1E	9E	1
	131	Upper limit	1F	9F	1
	132	Lower limit	20	A0	1
	133	PID action set point for PU operation	21	A1	1
Commercial power supply-inverter switch-over	134	PID differential time	22	A2	1
	135	Commercial power supply-inverter switch-over sequence output terminal selection	23	A3	1
	136	MC switch-over interlock time	24	A4	1
	137	Start waiting time	25	A5	1
	138	Commercial power supply-inverter switch-over selection at alarm occurrence	26	A6	1
Backlash	139	Automatic inverter-commercial power supply switch-over frequency	27	A7	1
	140	Backlash acceleration stopping frequency	28	A8	1
	141	Backlash acceleration stopping time	29	A9	1
	142	Backlash deceleration stopping frequency	2A	AA	1
Dis-play	143	Backlash deceleration stopping time	2B	AB	1
	144	Speed setting switch-over	2C	AC	1
Additional functions	145	Parameter unit language switch-over	2D	AD	1
	148	Stall prevention level at 0V input	30	B0	1
Current detection	149	Stall prevention level at 10V input	31	B1	1
	150	Output current detection level	32	B2	1
	151	Output current detection period	33	B3	1
	152	Zero current detection level	34	B4	1
Sub functions	153	Zero current detection period	35	B5	1
	154	Voltage reduction selection during stall prevention operation	36	B6	1
	155	RT signal activated condition	37	B7	1
	156	Stall prevention operation selection	38	B8	1
	157	OL signal waiting time	39	B9	1
Additional function	158	AM terminal function selection	3A	BA	1
	160	User group read selection	00	80	2
Restart after instantaneous power failure	162	Automatic restart after instantaneous power failure selection	02	82	2
	163	First cushion time for restart	03	83	2
	164	First cushion voltage for restart	04	84	2
	165	Restart stall prevention operation level	05	85	2
Initial monitor	170	Watt-hour meter clear	0A	8A	2
	171	Actual operation hour meter clear	0B	8B	2
User functions	173	User group 1 registration	0D	8D	2
	174	User group 1 deletion	0E	8E	2
	175	User group 2 registration	0F	8F	2
	176	User group 2 deletion	10	90	2

Function	Parameter Number	Name	Data Codes		
			Read	Write	Link Parameter Extension Setting (Data code 7F/FF)
Terminal assignment functions	180	RL terminal function selection	14	94	2
	181	RM terminal function selection	15	95	2
	182	RH terminal function selection	16	96	2
	183	RT terminal function selection	17	97	2
	184	AU terminal function selection	18	98	2
	185	JOG terminal function selection	19	99	2
	186	CS terminal function selection	1A	9A	2
	190	RUN terminal function selection	1E	9E	2
	191	SU terminal function selection	1F	9F	2
	192	IPF terminal function selection	20	A0	2
	193	OL terminal function selection	21	A1	2
	194	FU terminal function selection	22	A2	2
	195	A, B, C terminal function selection	23	A3	2
Additional function	199	User's initial value setting	27	A7	2
Programmed operation	200	Programmed operation minute/second selection	3C	BC	1
	201	Program setting 1	3D	BD	1
	202	Program setting 1	3E	BE	1
	203	Program setting 1	3F	BF	1
	204	Program setting 1	40	C0	1
	205	Program setting 1	41	C1	1
	206	Program setting 1	42	C2	1
	207	Program setting 1	43	C3	1
	208	Program setting 1	44	C4	1
	209	Program setting 1	45	C5	1
	210	Program setting 1	46	C6	1
	211	Program setting 2	47	C7	1
	212	Program setting 2	48	C8	1
	213	Program setting 2	49	C9	1
	214	Program setting 2	4A	CA	1
	215	Program setting 2	4B	CB	1
	216	Program setting 2	4C	CC	1
	217	Program setting 2	4D	CD	1
	218	Program setting 2	4E	CE	1
	219	Program setting 2	4F	CF	1
	220	Program setting 2	50	D0	1
	221	Program setting 3	51	D1	1
	222	Program setting 3	52	D2	1
223	Program setting 3	53	D3	1	
224	Program setting 3	54	D4	1	
225	Program setting 3	55	D5	1	
226	Program setting 3	56	D6	1	
227	Program setting 3	57	D7	1	
228	Program setting 3	58	D8	1	
229	Program setting 3	59	D9	1	
230	Program setting 3	5A	DA	1	
231	Timer setting	5B	DB	1	
Multi-speed operation	232	Multi-speed setting (speed 8)	28	A8	2
	233	Multi-speed setting (speed 9)	29	A9	2
	234	Multi-speed setting (speed 10)	2A	AA	2
	235	Multi-speed setting (speed 11)	2B	AB	2
	236	Multi-speed setting (speed 12)	2C	AC	2
	237	Multi-speed setting (speed 13)	2D	AD	2
	238	Multi-speed setting (speed 14)	2E	AE	2
	239	Multi-speed setting (speed 15)	2F	AF	2

Function	Parameter Number	Name	Data Codes		
			Read	Write	Link Parameter Extension Setting (Data code 7F/FF)
Sub function	240	Soft-PWM setting	30	B0	2
	244	Cooling fan operation selection	34	B4	2
Stop selection function	250	Stop selection	3A	BA	2
Additional function	251	Output phase failure protection selection	3B	BB	2
	252	Override bias	3C	BC	2
	253	Override gain	3D	BD	2
Power failure stop functions	261	Power failure stop selection	45	C5	2
	262	Subtracted frequency at deceleration start	46	C6	2
	263	Subtraction starting frequency	47	C7	2
	264	Power-failure deceleration time 1	48	C8	2
	265	Power-failure deceleration time 2	49	C9	2
	266	Power-failure deceleration time switch-over frequency	4A	CA	2
Function selection	270	Stop-on-contact/load torque high-speed frequency control selection	53	CE	2
High speed frequency control	271	High-speed setting maximum current	45	CF	2
	272	Mid-speed setting minimum current	46	D0	2
	273	Current averaging range	47	D1	2
	274	Current averaging filter constant	48	D2	2
Stop on contact	275	Stop-on-contact exciting current low-speed multiplying factor	53	D3	2
	276	Stop-on-contact PWM carrier frequency	54	D4	2
Brake sequence functions	278	Brake opening frequency	56	D6	2
	279	Brake opening current	57	D7	2
	280	Brake opening current detection time	58	D8	2
	281	Brake operation time at start	59	D9	2
	282	Brake operation frequency	5A	DA	2
	283	Brake operation time at stop	5B	DB	2
	284	Deceleration detection function selection	5C	DC	2
Droop control	285	Overspeed detection frequency	5D	DD	2
	286	Droop gain	5E	DE	2
Droop control	287	Droop filter constant	5F	DF	2
	300	BCD code input bias	00	80	3
12-bit digital input	301	BCD code input gain	01	81	3
	302	Binary input bias	02	82	3
	303	Binary input gain	03	83	3
	304	Selection of whether digital input and analog compensation input are enabled or disabled	04	84	3
	305	Data read timing signal on/off selection	05	85	3
	306	Analog output signal selection	06	86	3
Analog output, digital output	307	Setting for zero analog output	07	87	3
	308	Setting for maximum analog output	08	88	3
	309	Analog output signal voltage/current switch-over	09	89	3
	310	Analog meter voltage output selection	0A	8A	3
	311	Setting for zero analog meter voltage output	0B	8B	3
	312	Setting for maximum analog meter voltage output	0C	8C	3
	313	Y0 output selection	0D	8D	3
	314	Y1 output selection	0E	8E	3
	315	Y2 output selection	0F	8F	3
	316	Y3 output selection	10	90	3
	317	Y4 output selection	11	91	3

Function	Parameter Number	Name	Data Codes		
			Read	Write	Link Parameter Extension Setting (Data code 7F/FF)
Analog output, digital output	318	Y5 output selection	12	92	3
	319	Y6 output selection	13	93	3
Relay output	320	RA1 output selection	14	94	3
	321	RA2 output selection	15	95	3
	322	RA3 output selection	16	96	3
Computer link function	330	RA output selection	1E	9E	3
	331	Inverter station number	1F	9F	3
	332	Communication speed	20	A0	3
	333	Stop bit length	21	A1	3
	334	Parity check yes/no	22	A2	3
	335	Communication retry count	23	A3	3
	336	Communication check time interval	24	A4	3
	337	Waiting time setting	25	A5	3
	338	Operation command right	26	A6	3
	339	Speed command right	27	A7	3
	340	Link start mode selection	28	A8	3
	341	CR, LF yes/no selection	29	A9	3
342	E ² PROM write yes/no	2A	AA	3	
Calibration functions	900	FM terminal calibration	5C	DC	1
	901	AM terminal calibration	5D	DD	1
	902	Frequency setting voltage bias	5E	DE	1
	903	Frequency setting voltage gain	5F	DF	1
	904	Frequency setting current bias	60	E0	1
	905	Frequency setting current gain	61	E1	1
	990	Buzzer control	5A	DA	9
	991	LCD contrast	5B	DB	9
—	—	Second parameter switch-over	6C	EC	—
—	Frequency setting	Running frequency (RAM)	6D	ED	—
—		Running frequency (E ² PROM)	6E	EE	—
—	Frequency monitor	Monitor	6F	—	—
—		Output current monitor	70	—	—
—		Output voltage monitor	71	—	—
—		Special monitor	72	—	—
—	Alarm display	Special monitor selection No.	73	F3	—
—		Most recent No. 1, No. 2/alarm display clear	74	F4	—
—		Most recent No. 3, No. 4	75	—	—
—		Most recent No. 5, No. 6	76	—	—
—	—	Most recent No. 7, No. 8	77	—	—
—	—	Inverter status monitor/run command	7A	FA	—
—	—	Operation mode acquisition	7B	FB	—
—	—	All clear	—	FC	—
—	—	Inverter reset	—	FD	—
—	—	Link parameter extension setting	7F	FF	—

REVISIONS

* The manual number is given on the bottom left of the back cover.

Print Data	*Manual Number	Revision
Mar., 2000	IB(NA)-0600011-A	First edition
Nov., 2003	IB(NA)-0600011-B	Modification Error correction