

**MITSUBISHI
ELECTRIC**

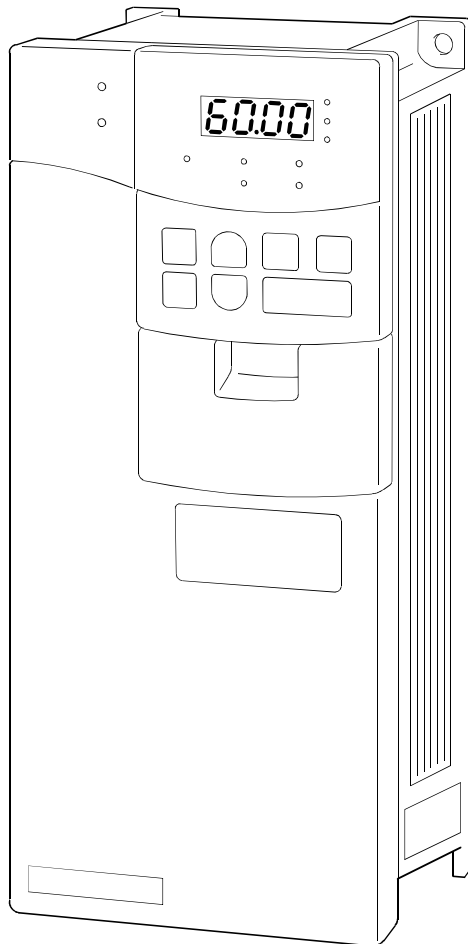
TRANSISTORIZED INVERTER

FR-A500

INSTRUCTION MANUAL

HIGH FUNCTION
&
LOW ACOUSTIC NOISE

FR-A520-0.4K to 55K
FR-A540-0.4K to 55K



OUTLINE Chapter 1

**INSTALLATION
AND WIRING** Chapter 2

**OPERATION
/CONTROL** Chapter 3

PARAMETERS Chapter 4

**PROTECTIVE
FUNCTIONS** Chapter 5

**PRECAUTIONS FOR
MAINTENANCE AND
INSPECTION** Chapter 6

SPECIFICATIONS Chapter 7

OPTIONS Chapter 8

Thank you for choosing this Mitsubishi transistorized Inverter.
 This instruction manual gives handling information and precautions for use of this equipment.
 Incorrect handling might cause an unexpected fault. Before using the inverter, please read this manual carefully to use the equipment to its optimum.
 Please forward this manual to the end user.

This section is specifically about safety matters


Do not attempt to install, operate, maintain or inspect the inverter until you have read through this instruction manual and appended documents carefully and can use the equipment correctly.
 Do not use the inverter until you have a full knowledge of the equipment, safety information and instructions.
 In this instruction manual, the safety instruction levels are classified into "WARNING" and "CAUTION".



Assumes that incorrect handling may cause hazardous conditions, resulting in death or severe injury.



Assumes that incorrect handling may cause hazardous conditions, resulting in medium or slight injury, or may cause physical damage only.

Note that the  **CAUTION** level may lead to a serious consequence according to conditions. Please follow the instructions of both levels because they are important to personnel safety.

1. Electric Shock Prevention



- While power is on or when the inverter is running, do not open the front cover. You may get an electric shock.
- Do not run the inverter with the front cover removed. Otherwise, you may access the exposed high-voltage terminals or the charging part of the circuitry and get an electric shock.
- Even if power is off, do not remove the front cover except for wiring or periodic inspection. You may access the charged inverter circuits and get an electric shock.
- Before starting wiring or inspection, switch power off, wait for more than at least 10 minutes and check for the presence of any residual voltage with a meter etc.
- This inverter must be earthed (grounded). Earthing (grounding) must conform to the requirements of national and local safety regulations and electrical code. (JIS, NEC section 250, IEC 536 class 1 and other applicable standards)
- Any person who is involved in the wiring or inspection of this equipment should be fully competent to do the work.
- Always install the inverter before wiring. Otherwise, you may get an electric shock or be injured.
- Perform setting dial and key operations with dry hands to prevent an electric shock.
- Do not subject the cables to scratches, excessive stress, heavy loads or pinching. Otherwise, you may get an electric shock.
- Do not change the cooling fan while power is on. To do so will invite a hazardous condition.

2. Fire Prevention



- Mount the inverter on an incombustible surface. Installing the inverter directly on or near a combustible surface could lead to a fire.
- If the inverter has become faulty, switch off the inverter power. A continuous flow of large current could cause a fire.
- When using a brake resistor, make up a sequence that will turn off power when an alarm signal is output. Otherwise, the brake resistor may excessively overheat due to damage of the brake transistor and such, causing a fire.
- Do not connect a resistor directly to the DC terminals P, N. This could cause a fire.

3. Injury Prevention




- Apply only the voltage specified in the instruction manual to each terminal to prevent damage etc.
- Ensure that the cables are connected to the correct terminals. Otherwise, damage etc. may occur.
- Always make sure that polarity is correct to prevent damage etc.
- While power is on and for some time after power-off, do not touch the inverter as it is hot and you may get burnt.

4. Additional instructions


Also note the following points to prevent an accidental failure, injury, electric shock, etc.

(1) Transportation and installation

 CAUTION		
<ul style="list-style-type: none"> ● When carrying products, use correct lifting gear to prevent injury. ● Do not stack the inverter boxes higher than the number recommended. ● Ensure that installation position and material can withstand the weight of the inverter. Install according to the information in the Instruction Manual. ● Do not operate if the inverter is damaged or has parts missing. ● Do not hold the inverter by the front cover; it may fall off. ● Do not stand or rest heavy objects on the inverter. ● Check the inverter mounting orientation is correct. ● Prevent screws, wire fragments, conductive bodies, oil or other flammable substances from entering the inverter. ● Do not drop the inverter, or subject it to impact. ● Use the inverter under the following environmental conditions: 		
Environment	Ambient temperature	Constant torque: -10°C to +50°C (non-freezing) (-10°C to +40°C with totally enclosed structure specification attachment (FR-A5CV□□)) Variable torque: -10°C to +40°C (non-freezing) (-10°C to +30°C with totally enclosed structure specification attachment (FR-A5CV□□))
	Ambient humidity	90%RH or less (non-condensing)
	Storage temperature	-20°C to +65°C*
	Ambience	Indoors (free from corrosive gas, flammable gas, oil mist, dust and dirt)
	Altitude, vibration	Maximum 1000m above sea level for standard operation. After that derate by 3% for every extra 500m up to 2500m (91%). 5.9 m/s ² or less (conforming to JIS C 0040)

*Temperatures applicable for a short time, e.g. in transit.


(2) Wiring


 CAUTION	
<ul style="list-style-type: none"> ● Do not fit capacitive equipment such as a power factor correction capacitor, surge suppressor or radio noise filter (option FR-BIF) to the inverter output side. ● The connection orientation of the output cables (terminals U, V, W) to the motor will affect the direction of rotation of the motor. 	

(3) Trial run

 CAUTION	
<ul style="list-style-type: none"> ● Check all parameters, and ensure that the machine will not be damaged by a sudden start-up. 	

(4) Operation

 CAUTION	
<ul style="list-style-type: none"> ● When you have chosen the retry function, stay away from the equipment as it will restart suddenly after an alarm stop. ● The [STOP] key is valid only when the appropriate function setting has been made. Prepare an emergency stop switch separately. ● Make sure that the start signal is off before resetting the inverter alarm. A failure to do so may restart the motor suddenly. ● The load used should be a three-phase induction motor only. Connection of any other electrical equipment to the inverter output may damage the equipment. ● Do not modify the equipment. 	

 CAUTION	
<ul style="list-style-type: none"> ● The electronic overcurrent protection does not guarantee protection of the motor from overheating. ● Do not use a magnetic contactor on the inverter input for frequent starting/stopping of the inverter. ● Use a noise filter to reduce the effect of electromagnetic interference. Otherwise nearby electronic equipment may be affected. ● Take measures to suppress harmonics. Otherwise power harmonics from the inverter may heat/damage the power capacitor and generator. ● When a 400V class motor is inverter-driven, it should be insulation-enhanced or surge voltages suppressed. Surge voltages attributable to the wiring constants may occur at the motor terminals, deteriorating the insulation of the motor. ● When parameter clear or all clear is performed, each parameter returns to the factory setting. Re-set the required parameters before starting operation. ● The inverter can be easily set for high-speed operation. Before changing its setting, examine the performance of the motor and machine. ● In addition to the inverter's holding function, install a holding device to ensure safety. ● Before running an inverter which had been stored for a long period, always perform inspection and test operation. 	

(5) Emergency stop



CAUTION

- Provide a safety backup such as an emergency brake which will prevent the machine and equipment from hazardous conditions if the inverter fails.
- When the breaker on the inverter primary side trips, check for the wiring fault (short circuit), damage to the internal parts of the inverter, etc. Identify the cause of the trip, then remove the cause and power on the breaker.
- When any protective function is activated, take the appropriate corrective action, then reset the inverter, and resume operation.

(6) Maintenance, inspection and parts replacement



CAUTION

- Do not carry out a megger (insulation resistance) test on the control circuit of the inverter.

(7) Disposing of the inverter



CAUTION

- Treat as industrial waste.

(8) General instructions

Many of the diagrams and drawings in this instruction manual show the inverter without a cover, or partially open. Never run the inverter in this manner. Always replace the cover and follow this instruction manual when operating the inverter.

CONTENTS

CHAPTER 1	OUTLINE	1
1.1	Pre-Operation Information	2
1.1.1	Precautions for operation	2
1.2	Basic Configuration	3
1.2.1	Basic configuration	3
1.3	Structure	4
1.3.1	Appearance and structure	4
1.3.2	Removal and reinstallation of the front cover	5
1.3.3	Removal and reinstallation of the operation panel	7
CHAPTER 2	INSTALLATION AND WIRING	9
2.1	Installation	10
2.1.1	Instructions for installation	10
2.2	Wiring	12
2.2.1	Terminal connection diagram	12
2.2.2	Wiring of the main circuit	15
2.2.3	Wiring of the control circuit	21
2.2.4	Connection to the PU connector	25
2.2.5	Connection of stand-alone option units	28
2.2.6	Design information	33
2.3	Other wiring	34
2.3.1	Power harmonics	34
2.3.2	Harmonic suppression guidelines	35
2.3.3	Inverter-generated noises and their reduction techniques	38
2.3.4	Leakage currents and countermeasures	41
2.3.5	Inverter-driven 400V class motor	42
2.3.6	Peripheral devices	43
2.3.7	Instructions for compliance with U.S. and Canadian Electrical Codes	46
2.3.8	Instructions for compliance with the European Directives	47
CHAPTER 3	OPERATION/CONTROL	49
3.1	Pre-Operation Information	50
3.1.1	Devices and parts to be prepared for operation	50
3.1.2	Power on	52
3.2	Operation Panel	53
3.2.1	Names and functions of the operation panel (FR-DU04)	53
3.2.2	Monitor display changed by pressing the key	54
3.2.3	Monitoring	54
3.2.4	Frequency setting	54
3.2.5	Parameter setting method	55
3.2.6	Operation mode	56
3.2.7	Help mode	56
3.2.8	Copy mode	58
3.3	Operation	59
3.3.1	Pre-operation checks	59
3.3.2	External operation mode (Operation using external input signals)	60

3.3.3	PU operation mode (Operation using the operation panel (FR-DU04))	61
3.3.4	Combined operation mode (Operation using the external input signals and PU)	62

CHAPTER 4 PARAMETERS **63**

4.1	Parameter Lists	64
4.1.1	Parameter lists	64
4.1.2	List of parameters classified by purpose of use	71
4.1.3	Parameters recommended to be set by the user	72
4.2	Parameter Function Details	73
4.2.1	Torque boost (Pr. 0, Pr. 46, Pr. 112)	73
4.2.2	Output frequency range (Pr. 1, Pr. 2, Pr. 18)	74
4.2.3	Base frequency, base frequency voltage (Pr. 3, Pr. 19, Pr. 47, Pr. 113)	75
4.2.4	Multi-speed operation (Pr. 4 to Pr. 6, Pr. 24 to Pr. 27, Pr. 232 to Pr. 239)	76
4.2.5	Acceleration/deceleration time (Pr. 7, Pr. 8, Pr. 20, Pr. 21, Pr. 44, Pr. 45, Pr. 110, Pr. 111)	77
4.2.6	Electronic overcurrent protection (Pr. 9)	78
4.2.7	DC injection brake (Pr. 10 to Pr. 12)	79
4.2.8	Starting frequency (Pr. 13)	80
4.2.9	Load pattern selection (Pr. 14)	81
4.2.10	Jog operation (Pr. 15, Pr. 16)	82
4.2.11	MRS input selection (Pr. 17)	83
4.2.12	Stall prevention (Pr. 22, Pr. 23, Pr. 66, Pr. 148, Pr. 149, Pr. 154)	84
4.2.13	Multi-speed input compensation (Pr. 28)	85
4.2.14	Acceleration/deceleration pattern (Pr. 29, Pr. 140 to Pr. 143)	86
4.2.15	Regenerative brake duty (Pr. 30, Pr. 70)	87
4.2.16	Frequency jump (Pr. 31 to Pr. 36)	88
4.2.17	Speed display (Pr. 37, Pr. 144)	89
4.2.18	Up-to-frequency sensitivity (Pr. 41)	90
4.2.19	Output frequency detection (Pr. 42, Pr. 43, Pr. 50, Pr. 116)	90
4.2.20	Second/third stall prevention (Pr. 48, Pr. 49, Pr. 114, Pr. 115)	91
4.2.21	Monitor display/FM, AM terminal function selection (Pr. 52 to Pr. 54, Pr. 158)	92
4.2.22	Monitoring reference (Pr. 55, Pr. 56)	95
4.2.23	Automatic restart after instantaneous power failure (Pr. 57, Pr. 58, Pr. 162, Pr. 165, Pr. 611)	96
4.2.24	Remote setting function selection (Pr. 59)	98
4.2.25	Intelligent mode selection (Pr. 60)	100
4.2.26	Acceleration/deceleration reference current (Pr. 61 to Pr. 64)	102
4.2.27	Retry function (Pr. 65, Pr. 67 to Pr. 69)	103
4.2.28	Applied motor (Pr. 71)	105
4.2.29	PWM carrier frequency (Pr. 72, Pr. 240)	106
4.2.30	Voltage input (Pr. 73)	107
4.2.31	Input filter time constant (Pr. 74)	108
4.2.32	Reset selection/PU disconnection detection/PU stop selection (Pr. 75)	108
4.2.33	Alarm code output selection (Pr. 76)	110
4.2.34	Parameter write disable selection (Pr. 77)	111
4.2.35	Reverse rotation prevention selection (Pr. 78)	112
4.2.36	Operation mode selection (Pr. 79)	113
4.2.37	Motor capacity/number of motor poles/speed control gain (Pr. 80, Pr. 81, Pr. 89)	116
4.2.38	Offline auto tuning function (Pr. 82 to Pr. 84, Pr. 90 to Pr. 94, Pr. 96)	117
4.2.39	Online auto tuning selection (Pr. 95)	127
4.2.40	V/F control frequency (voltage) (Pr. 100 to Pr. 109)	129
4.2.41	Computer link operation (Pr. 117 to Pr. 124, Pr. 342)	130
4.2.42	PID control (Pr. 128 to Pr. 134)	141

4.2.43	Commercial power supply-inverter switch-over function (Pr. 135 to Pr. 139)	148
4.2.44	Output current detection function (Pr. 150, Pr. 151)	153
4.2.45	Zero current detection (Pr. 152, Pr. 153)	154
4.2.46	RT signal activated condition selection (Pr. 155)	155
4.2.47	Stall prevention function and current limit function (Pr. 156)	155
4.2.48	OL signal output timer (Pr. 157)	157
4.2.49	User group selection (Pr. 160, Pr. 173 to Pr. 176)	158
4.2.50	Watt-hour meter clear/actual operation hour meter clear (Pr. 170, Pr. 171)	159
4.2.51	Input terminal function selection (Pr. 180 to Pr. 186)	159
4.2.52	Output terminal function selection (Pr. 190 to Pr. 195)	162
4.2.53	User initial value setting (Pr. 199)	164
4.2.54	Programmed operation function (Pr. 200 to Pr. 231)	165
4.2.55	Cooling fan operation selection (Pr. 244)	169
4.2.56	Stop selection (Pr. 250)	170
4.2.57	Output phase failure protection selection (Pr. 251)	171
4.2.58	Override bias/gain (Pr. 252, Pr. 253)	171
4.2.59	Power failure-time deceleration-to-stop function (Pr. 261 to Pr. 266)	172
4.2.60	Stop-on-contact, load torque high-speed frequency selection (Pr. 270)	173
4.2.61	High-speed frequency control (Pr. 271 to Pr. 274)	174
4.2.62	Stop-on-contact control function (Pr. 275, Pr. 276)	178
4.2.63	Brake sequence function (Pr. 278 to Pr. 285)	181
4.2.64	Droop control (Pr. 286, Pr. 287)	185
4.2.65	Capacitor life alarm (Pr. 503, Pr. 504)	186
4.2.66	FM / AM terminal calibration (Pr. 900, Pr. 901)	187
4.2.67	Frequency setting voltage (current) bias and gain (Pr. 902 to Pr. 905)	189
4.2.68	PU buzzer control (Pr. 990)	194

CHAPTER 5 PROTECTIVE FUNCTIONS 195

5.1	Errors (Alarms)	196
5.1.1	Error (alarm) definitions	196
5.1.2	To know the operating status at the occurrence of an alarm	205
5.1.3	Correspondences between digital and actual characters	205
5.1.4	Alarm code output	206
5.1.5	Resetting the inverter	206
5.2	Troubleshooting	207
5.2.1	Motor remains stopped	207
5.2.2	Motor rotates in opposite direction	207
5.2.3	Speed greatly differs from the setting	207
5.2.4	Acceleration/deceleration is not smooth	207
5.2.5	Motor current is large	207
5.2.6	Speed does not increase	208
5.2.7	Speed varies during operation	208
5.2.8	Operation mode is not changed properly	208
5.2.9	Operation panel (FR-DU04) display is not provided	208
5.2.10	POWER lamp is not lit	208
5.2.11	Parameter write cannot be performed	208

CHAPTER 6 PRECAUTIONS FOR MAINTENANCE AND INSPECTION 209

6.1	Precautions for maintenance and inspection	210
6.1.1	Precautions for maintenance and inspection	210
6.1.2	Check items	210

- 6.1.3 Periodic inspection210
- 6.1.4 Insulation resistance test using megger211
- 6.1.5 Pressure test211
- 6.1.6 Daily and periodic inspection.....211
- 6.1.7 Replacement of parts214
- 6.1.8 Inverter replacement215
- 6.1.9 Measurement of main circuit voltages, currents and powers216

CHAPTER 7 SPECIFICATIONS 219

- 7.1 Standard Specifications 220**
 - 7.1.1 Model specifications220
 - 7.1.2 Common specifications222
 - 7.1.3 Outline dimension drawings224

CHAPTER 8 OPTIONS 229

- 8.1 Option List 230**
 - 8.1.1 Stand-alone options230
 - 8.1.2 Plug-in dedicated options232

APPENDIX 239

- Appendix1 Data Code List..... 240**

CHAPTER 1 OUTLINE

This chapter gives information on the basic "outline" of this product.

Always read the instructions in this chapter before using the equipment.

- 1.1 Pre-Operation Information.....2
- 1.2 Basic Configuration3
- 1.3 Structure.....4

- <Abbreviations>**
- DU
Operation panel (FR-DU04)
 - PU
Operation panel (FR-DU04) and parameter unit (FR-PU04)
 - Inverter
Mitsubishi transistorized inverter FR-A500 series
 - Pr.
Parameter number
 - PU operation
Operation using the PU (FR-DU04/FR-PU04)
 - External operation
Operation using the control circuit signals
 - Combined operation
Operation using both the PU (FR-DU04/FR-PU04) and external operation
 - FR-A200E
Mitsubishi transistorized inverter FR-A200 series
<EXCELLENT> series

Chapter 1

Chapter 2

Chapter 3

Chapter 4

Chapter 5

Chapter 6

Chapter 7

Chapter 8

1.1 Pre-Operation Information

1.1.1 Precautions for operation

Incorrect handling might cause the inverter to operate improperly, its life to be reduced considerably, or at the worst, the inverter to be damaged. Handle the inverter properly in accordance with the information in each section as well as the precautions and instructions of this manual to use it correctly.

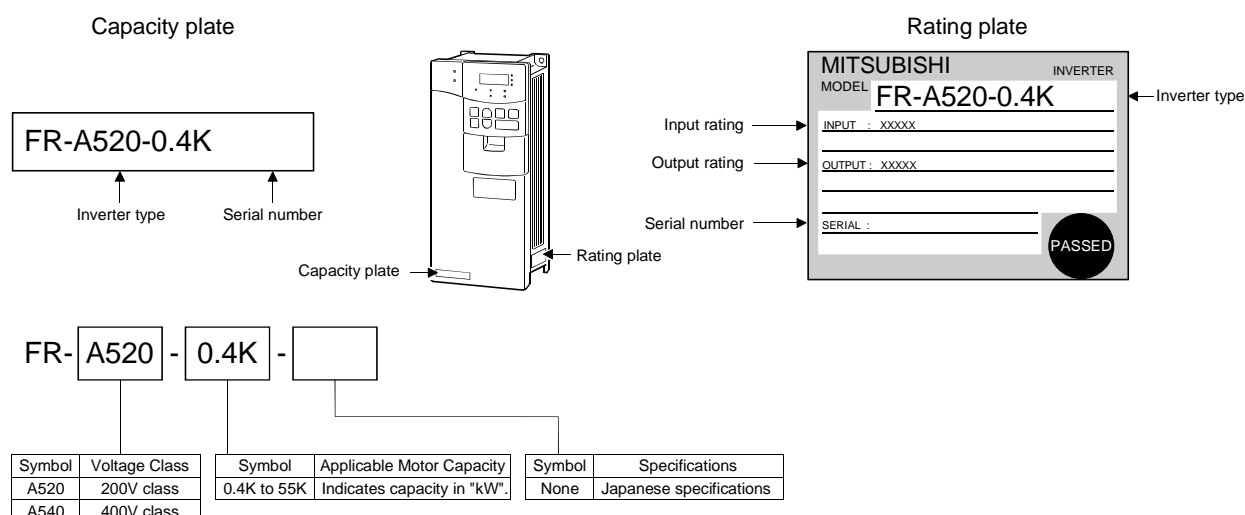
This manual is written for the FR-A500 series transistorized inverters.

For handling information on the parameter unit (FR-PU04), plug-in options, stand-alone options, etc., refer to the corresponding manuals.

(1) Unpacking and product check

Unpack the inverter and check the capacity plate on the front cover and the rating plate on the inverter side face to ensure that the product agrees with your order and the inverter is intact.

1) Inverter type



2) Accessory

Instruction manual

If you have found any discrepancy, damage, etc., please contact your sales representative.

(2) Preparations of instruments and parts required for operation

Instruments and parts to be prepared depend on how the inverter is operated. Prepare equipment and parts as necessary. (Refer to page 50.)

(3) Installation

To operate the inverter with high performance for a long time, install the inverter in a proper place, in the correct direction, and with proper clearances. (Refer to page 10.)

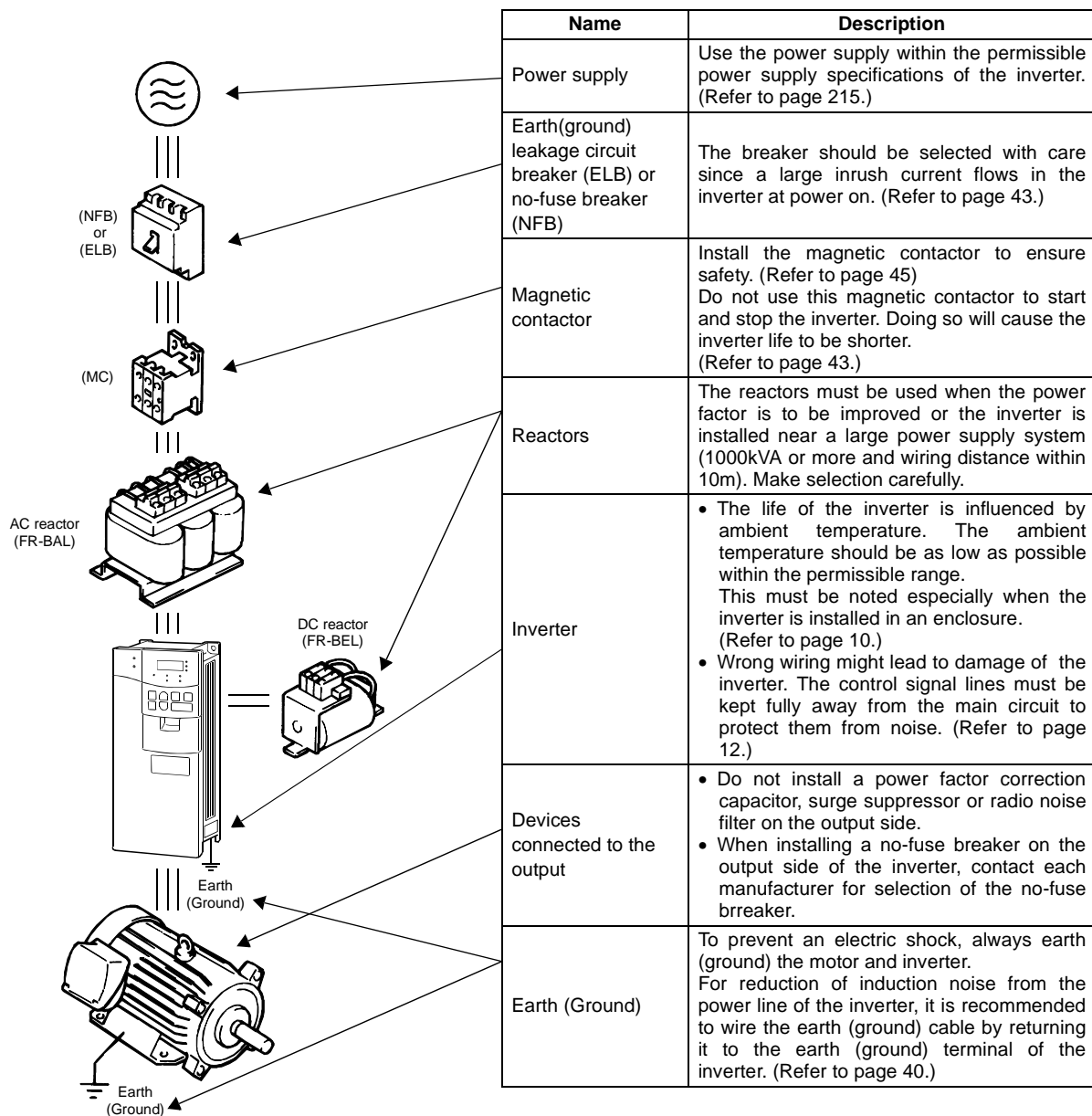
(4) Wiring

Connect the power supply, motor and operation signals (control signals) to the terminal block. Note that incorrect connection may damage the inverter and peripheral devices. (Refer to page 12.)

1.2 Basic Configuration

1.2.1 Basic configuration

The following devices are required to operate the inverter. Proper peripheral devices must be selected and correct connections made to ensure proper operation. Incorrect system configuration and connections can cause the inverter to operate improperly, its life to be reduced considerably, and in the worst case, the inverter to be damaged. Please handle the inverter properly in accordance with the information in each section as well as the precautions and instructions of this manual. (For connections of the peripheral devices, refer to the corresponding manuals.)



1

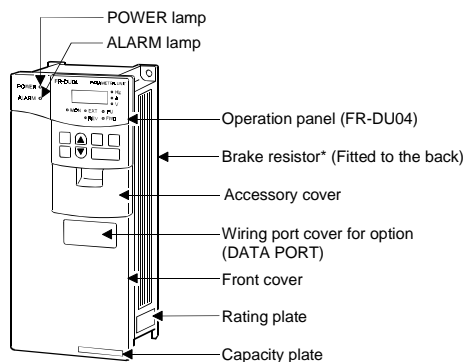
Harmonic Suppression Guideline

The "harmonic suppression guideline for household appliances and general-purpose products" was issued by the Ministry of Economy, Trade and Industry (formerly Ministry of International Trade and Industry) in September, 1994. This guideline applies to the FR-A520-0.4K to 3.7K. By installing the power factor improving reactor (FR-BEL or FR-BAL), this product complies the "harmonic suppression technique for transistorized inverters (input current 20A or less)" established by the Japan Electrical Manufacturers' Association.

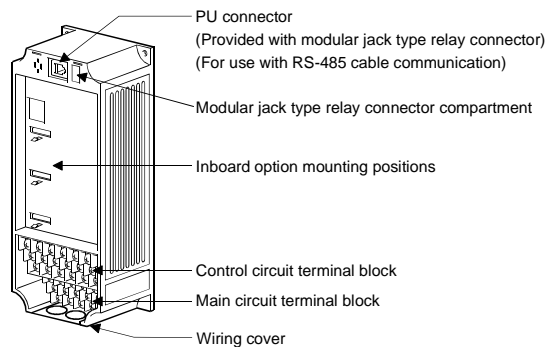
1.3 Structure

1.3.1 Appearance and structure

(1) Front view



(2) Without front cover



*7.5K or less inverters are equipped with an inboard brake resistor.

Lamp indication

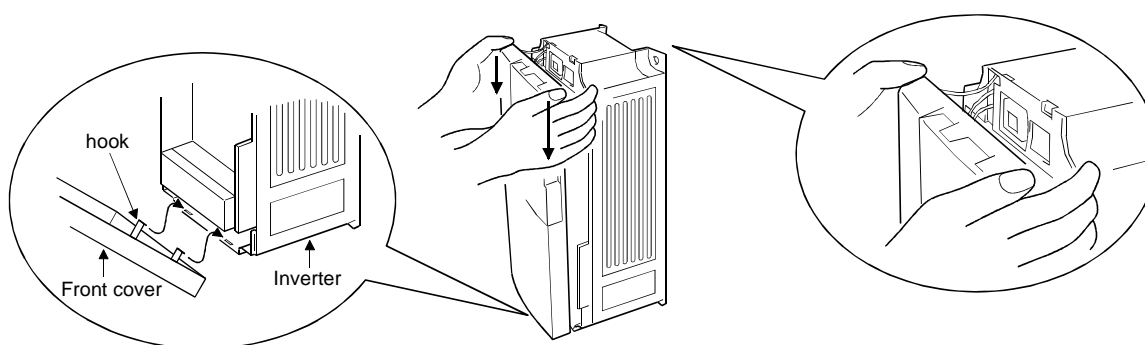
- Power lampLights when power is supplied to the control circuit (R1, S1).
- Alarm lampLights when the inverter is in the alarm status (major faults).

1.3.2 Removal and reinstallation of the front cover

FR-A520-0.4K to 11K, FR-A540-0.4K to 7.5K

- Removal

- 1) Hold both sides of the front cover top and push the front cover down.
- 2) Hold down the front cover and pull it toward you to remove.
(The front cover may be removed with the PU (FR-DU04/FR-PU04) on.)



- Removal

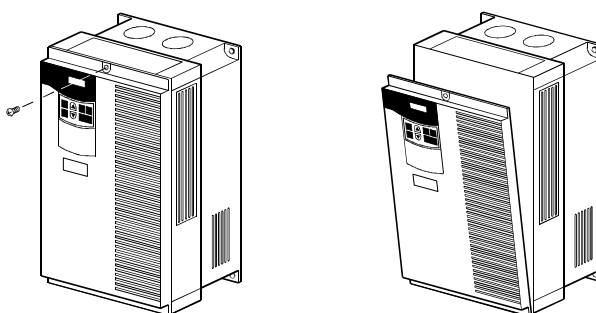
- 1) Insert the hooks at the bottom of the front cover into the sockets of the inverter.
- 2) Using the hooks as supports, securely press the front cover against the inverter.

Note: When the operation panel is fitted to the removed front cover, reinstall the front cover after removing the operation panel.

FR-A520-15K to 22K, FR-A540-11K to 22K

- Removal

- 1) Remove the installation screw at top of the front cover.
- 2) Hold both ends of the front cover top.
- 3) Pull the front cover toward you to remove.
(The front cover may be removed with the PU (FR-DU04/FR-PU04) on.)



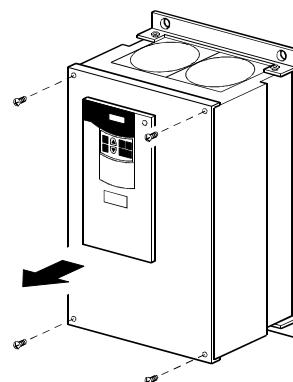
- Reinstallation

- 1) Insert the hooks at the front cover bottom into the sockets of the inverter.
- 2) Using the hooks as supports, securely press the front cover against the inverter.
- 3) Fix the front cover with the top screw.

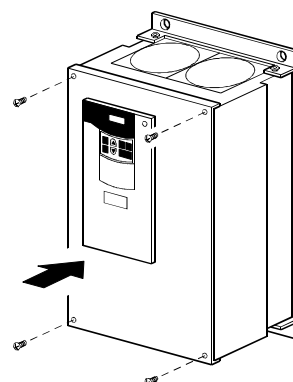
Note: When the operation panel is fitted to the removed front cover, reinstall the front cover after removing the operation panel.

FR-A520-30K to 55K, FR-A540-30K to 55K

- Removal
 - 1) Remove installation screws on the front cover.



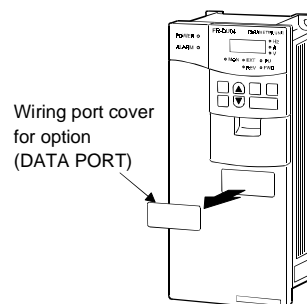
- Reinstallation
 - 1) Fix the front cover with the installation screws.



Note: 1. Fully make sure that the front cover has been reinstalled securely.
 2. The same serial number is printed on the capacity plate of the front cover and the rating plate of the inverter. Before reinstalling the front cover, check the serial number to ensure that the cover removed is reinstalled to the inverter from where it was removed.

REMARKS

- Removal of the option wiring port cover for option (DATA PORT)
 Push the option wiring port cover for option (DATA PORT) from the back of the front cover to remove before fitting the communication option.

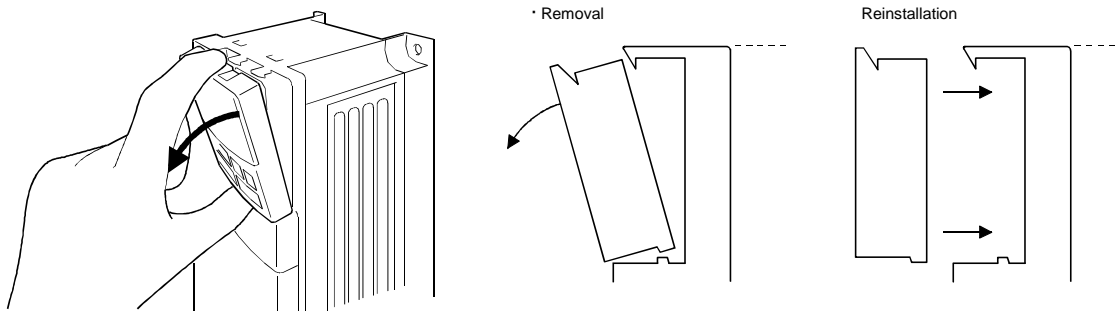


1.3.3 Removal and reinstallation of the operation panel

To ensure safety, remove and reinstall the operation panel after powering off.

- Removal

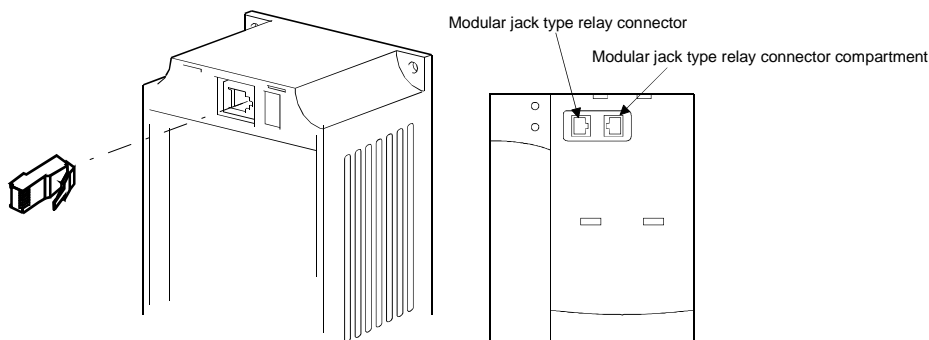
Hold down the top button of the operation panel and pull the operation panel toward you to remove.



When reinstalling the operation panel, insert it straight and reinstall it securely.

- Reinstallation using the connection cable

- 1) Remove the operation panel.
- 2) Disconnect the modular jack type relay connector. (Place the disconnected modular jack type relay connector in the modular jack type relay connector compartment.)



- 3) Securely plug one end of the connection cable into the PU connector (modular jack type relay connector) of the inverter and the other end into the operation panel. (Refer to page 25 for the connection cable.)

Note: Install the operation panel only when the front cover is on the inverter.



MEMO

CHAPTER 2

INSTALLATION AND WIRING

This chapter explains the basic "installation and wiring" for use of this product.

Always read the instructions and other information before using the equipment.

2.1 Installation	10
2.2 Wiring	12
2.3 Other wiring	34

Chapter 1

Chapter 2

Chapter 3

Chapter 4

Chapter 5

Chapter 6

Chapter 7

Chapter 8

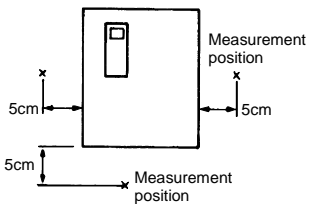
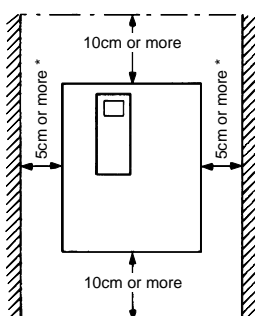
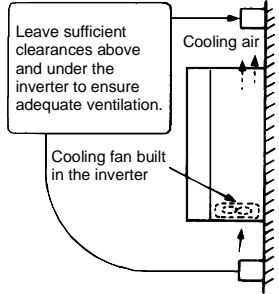
2.1 Installation

2.1.1 Instructions for installation

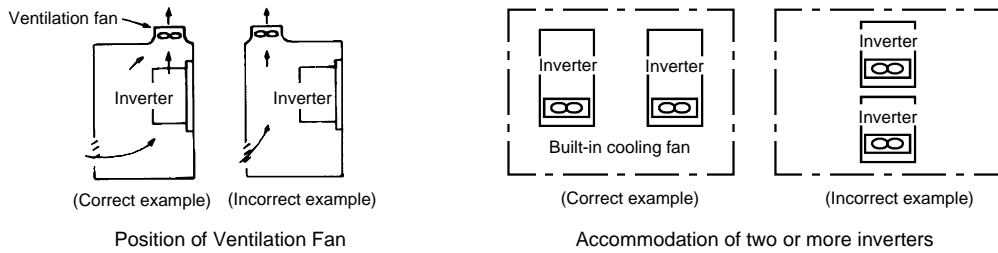
- 1) Handle the unit carefully.
The inverter uses plastic parts. Handle it gently to protect it from damage. Also, hold the unit with even strength and do not apply too much strength to the front cover alone.
- 2) Install the inverter in a place where it is immune to vibration. (5.9 m/s^2 or less)
Also note the cart, press, etc.
- 3) Note on ambient temperature
The life of the inverter is under great influence of ambient temperature. In the place of installation, ambient temperature must be within the permissible range (-10°C to $+50^\circ\text{C}$). Check that the ambient temperature is within that range in the positions shown in figure 3).
- 4) Install the inverter on a non-combustible surface.
The inverter will be very hot (maximum about 150°C). Install it on a non-combustible surface (e.g. metal). Also leave sufficient clearances around the inverter.
- 5) Avoid high temperature and high humidity.
Avoid direct sunlight and places of high temperature and high humidity.
- 6) The amount of heat generated in an enclosure can be reduced considerably by placing the heatsink outside the enclosure.

Note: 1. Use the option (FR-A5CN□□) for installation. The mounting area should be cut to the panel cutting dimensions.
2. The cooling section outside the enclosure has the cooling fan. Do not use the inverter in any environment where it is exposed to waterdrops, oil mist, dust, etc.

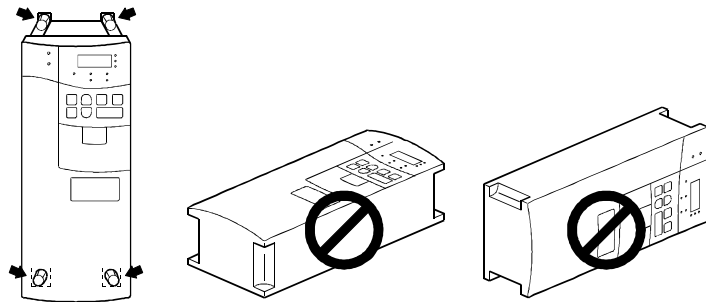
- 7) Avoid places where the inverter is exposed to oil mist, flammable gases, fluff, dust, dirt etc.
Install the inverter in a clean place or inside a "totally enclosed" panel which does not accept any suspended matter.
- 8) Note the cooling method when the inverter is installed in an enclosure.
When two or more inverters are installed or a ventilation fan is mounted in an enclosure, the inverters and ventilation fan must be installed in proper positions with extreme care taken to keep the ambient temperatures of the inverters below the permissible value. If they are installed in improper positions, the ambient temperatures of the inverters will rise and ventilation effect will be reduced.
- 9) Install the inverter securely in the vertical direction with screws or bolts.

<p>3) Note on ambient temperature</p> 	<p>4) Clearances around the inverter</p>  <p style="font-size: small;">*: 1cm or more for model 3.7K or less These clearances are also necessary for changing the cooling fan.</p>  <p style="font-size: small;">(The 1.5K for 200V class and the 2.2K or more for 400V class are provided with a cooling fan.)</p>
--	--

8) For installation in an enclosure



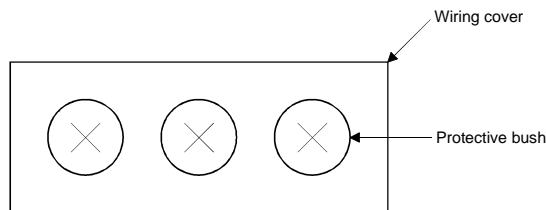
9) Vertical mounting



(1) Wiring cover and handling (22K or less)

1) When cable conduits are not connected

Cut the protective bushes of the wiring cover with nippers or a cutter before running the cables.

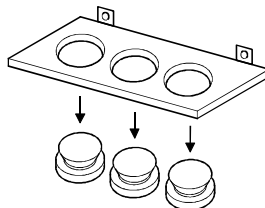


WARNING

Do not remove the protective bushes. Otherwise, the cable sheaths may be scratched by the wiring cover edges, resulting in a short circuit or earth (ground) fault.

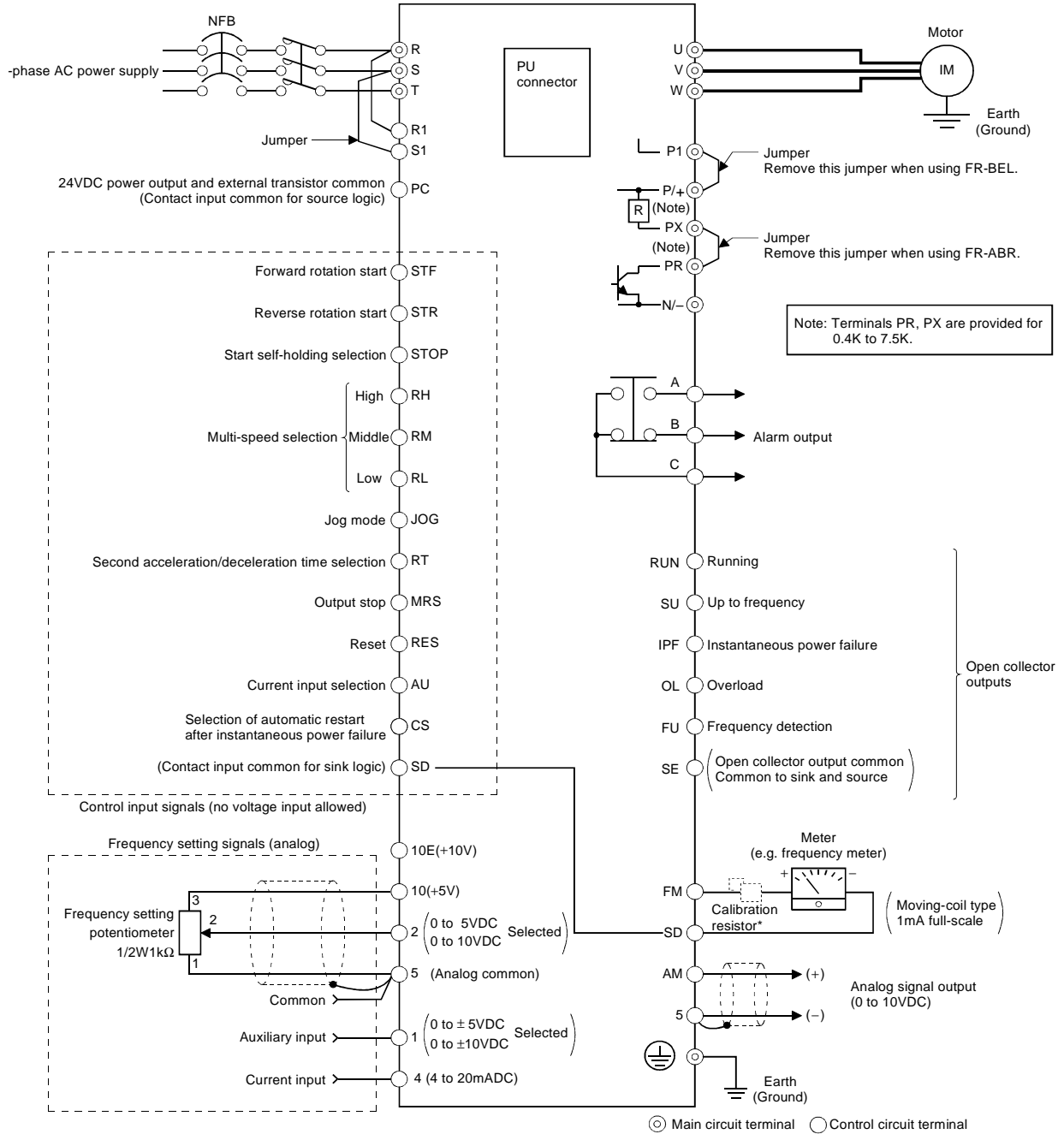
2) When cable conduits are connected

Remove the corresponding protective bushes and connect the cable conduits.



2.2 Wiring


2.2.1 Terminal connection diagram



When using current input for frequency setting signal, turn the AU signal on.

* Not needed when the operation panel (FR-DU04) or parameter unit (FR-PU04) is used for calibration. Used when calibration must be made near the frequency meter for such a reason as a remote frequency meter. However, the frequency meter needle may not deflect to full-scale if the calibration resistor is connected. In this case, use this resistor and the operation panel or parameter unit together to make calibration.

(1) Description of main circuit terminals

Symbol	Terminal Name	Description
R, S, T	AC power input	Connect to the commercial power supply. Keep these terminals open when using the high power factor converter (FR-HC) and power regeneration common converter (FR-CV).
U, V, W	Inverter output	Connect a three-phase squirrel-cage motor.
R1, S1	Power supply for control circuit	Connected to the AC power supply terminals R and S. To retain the alarm display and alarm output or when using the high power factor converter (FR-HC) or power regeneration common converter (FR-CV), remove the jumpers from terminals R-R1 and S-S1 and apply external power to these terminals.
P, PR	Brake resistor connection	Disconnect the jumper from terminals PR-PX and connect the optional brake resistor (FR-ABR) across terminals P/+PR.
P, N	Brake unit connection	Connect the optional FR-BU brake unit, power regeneration converter (FR-RC), high power factor converter (FR-HC) or power regeneration common converter (FR-CV).
P, P1	Power factor improving DC reactor connection	Disconnect the jumper from terminals P-P1 and connect the optional power factor improving reactor (FR-BEL).
PR, PX	Built-in brake circuit connection	When the jumper is connected across terminals PX-PR (factory setting), the built-in brake circuit is valid. (Provided for 7.5K or less.)
	Earth (Ground)	For earthing (grounding) the inverter chassis. Must be earthed (grounded).

(2) Description of control circuit terminals

Type	Symbol	Terminal Name	Description	
Input signals Contacts, e.g. start (STF), stop (STOP) etc.	STF	Forward rotation start	Turn on the STF signal to start forward rotation and turn it off to stop. Acts as a programmed operation start signal in the programmed operation mode. (Turn on to start and turn off to stop.)	When the STF and STR signals are turned on simultaneously, the stop command is given.
	STR	Reverse rotation start	Turn on the STR signal to start reverse rotation and turn it off to stop.	
	STOP	Start self-holding selection	Turn on the STOP signal to select the self-holding of the start signal.	
	RH, RM, RL	Multi-speed selection	Use the RH, RM and RL signals as appropriate to select multiple speeds.	Input terminal function selection (Pr. 180 to Pr. 186) change terminal functions.
	JOG	JOG mode selection	Turn on the JOG signal to select jog operation (factory setting). Jog operation can be performed with the start signal (STF or STR).	
	RT	Second acceleration/ deceleration time selection	Turn on the RT signal to select the second acceleration/ deceleration time. When the second functions such as "second torque boost" and "second V/F (base frequency)" functions have been set, these functions can also be selected by turning on the RT signal.	
	MRS	Output stop	Turn on the MRS signal (20ms or longer) to stop the inverter output. Used to shut off the inverter output to bring the motor to a stop by the magnetic brake.	
	RES	Reset	Used to reset the protective circuit activated. Turn on the RES signal for more than 0.1s, then turn it off. Factory setting is reset always enabled. By setting Pr. 75, reset can be set to enabled only at an inverter alarm occurrence. It takes about 1s from when reset is cancelled until operation is restored.	
	AU	Current input selection	Only when the AU signal is turned on, the inverter can be operated with the 4-20mADC frequency setting signal. Turning on the AU signal makes the voltage input invalid.	Input terminal function selection (Pr. 180 to Pr. 186) change terminal functions.
	CS	Automatic restart after instantaneous power failure selection	With the CS signal on, restart can be made automatically when the power is restored after an instantaneous power failure. Note that this operation requires restart parameters to be set. When the inverter is shipped from the factory, it is set to disallow restart.	
	SD	Contact input common (sink)	Common to the contact input terminals and terminal FM. Common output terminal for 24VDC 0.1A power (PC terminal).	
	PC	24VDC power and external transistor common Contact input common (source)	When transistor output (open collector output), such as a programmable controller, is connected, connect the external power supply common for transistor output to this terminal to prevent a fault caused by undesirable current. This terminal can be used as a 24VDC, 0.1A power output. When source logic has been selected, this terminal serves as a contact input common.	

Type	Symbol	Terminal Name	Description			
Analog	Frequency setting	Frequency setting power supply	10E	10VDC, permissible load current 10mA	When the frequency setting potentiometer is connected in the factory-set state, connect it to terminal 10. When it is connected to terminal 10E, change the input specifications of terminal 2.	
			10	5VDC, permissible load current 10mA		
		2	Frequency setting (voltage)	By entering 0 to 5VDC (0 to 10VDC), the maximum output frequency is reached at 5V (or 10V) and I/O are proportional. Switch between input 0 to 5VDC (factory setting) and 0 to 10VDC from the operation panel. Input resistance 10kΩ. Maximum permissible voltage 20V.		
		4	Frequency setting (current)	By entering 4 to 20mADC, the maximum output frequency is reached at 20mA and I/O are proportional. This input signal is valid only when the AU signal is on. (Voltage input is made invalid) Input resistance 250Ω. Maximum permissible current 30mA.		
		1	Auxiliary frequency setting	By entering 0 to ±5VDC or 0 to ±10VDC, this signal is added to the frequency setting signal of terminal 2 or 4. Switch between input 0 to ±5VDC and 0 to ±10VDC (factory setting) from the operation panel. Input resistance 10kΩ. Maximum permissible voltage ±20V.		
		5	Frequency setting input common	Common to the frequency setting signal (terminal 2, 1 or 4) and analog output terminal AM. Do not earth.		
Output signals	Contact	A, B, C	Alarm output	1 contact output indicating that the output has been stopped by the inverter protective function activated. 230VAC 0.3A, 30VDC 0.3A. Alarm: discontinuity across B-C (continuity across A-C), normal: continuity across B-C (discontinuity across A-C).		
		RUN	Inverter running	Switched low when the inverter output frequency is equal to or higher than the starting frequency (factory set to 0.5Hz, variable). Switched high during stop or DC injection brake operation (*2). Permissible load 24VDC 0.1A		
	Open collector	SU	Up to frequency	Switched low when the output frequency has reached within ±10% of the set frequency (factory setting, variable). Switched high during acceleration, deceleration or stop (*2). Permissible load 24VDC 0.1A.		
		OL	Overload alarm	Switched low when the stall prevention function has caused stall prevention to be activated. Switched high when stall prevention is reset (*2). Permissible load 24VDC 0.1A.		
		IPF	Instantaneous power failure	Switched low when instantaneous power failure or undervoltage protection is activated (*2). Permissible load 24VDC 0.1A.		
		FU	Frequency detection	Switched low when the output frequency has reached or exceeded the detection frequency set as appropriate. Switched high when below the detection frequency (*2). Permissible load 24VDC 0.1A		
		SE	Open collector output common	Common to the RUN, SU, OL, IPF and FU terminals.		
	Pulse	FM	For meter	One selected from 16 monitoring items, such as output frequency, is output. (*3)	Factory setting of output item: Frequency permissible load current 2mA 1440 pulses/s at 60Hz	
		AM	Analog signal output	The output signal is proportional to the magnitude of each monitoring item.	Factory setting of output item: Frequency output signal 0 to 10VDC Permissible load current 1mA	
	Communication	RS-485	PU connector	With the operation panel connector, communication can be made through RS-485. <ul style="list-style-type: none"> • Conforming standard : EIA Standard RS-485 • Transmission format : Multi-drop link • Communication speed : Maximum 19200 bps • Overall length : 500m 		

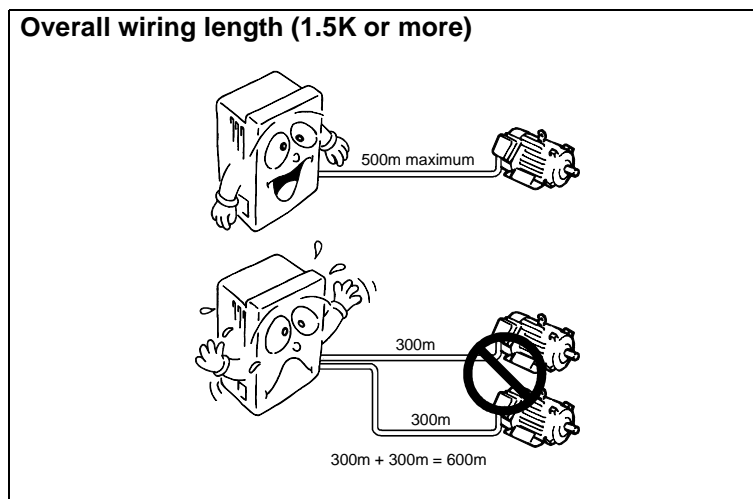
- *1: Terminals PR and PX are provided for the FR-A520-0.4K to 7.5K, FR-A540-0.4K to 7.5K.
 *2: Low indicates that the open collector outputting transistor is on (conducts).
 High indicates that the transistor is off (does not conduct).
 *3: Not output while the inverter is reset.

2.2.2 Wiring of the main circuit

(1) Wiring instructions

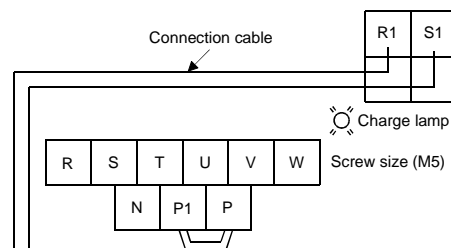
- 1) Crimping terminals with insulation sleeves are recommended for use with the power and motor cables.
- 2) Cut the protective bushes of the wiring cover when running the cables. (22K or less)
- 3) Power must not be applied to the output terminals (U, V, W) of the inverter. Otherwise the inverter will be damaged.
- 4) After wiring, wire off-cuts must not be left in the inverter.
Wire off-cuts can cause an alarm, failure or malfunction. Always keep the inverter clean.
When drilling mounting holes in a control box etc., exercise care to prevent chips and other foreign matter from entering the inverter.
- 5) Use cables of the recommended size for wiring to make the voltage drop 2% or less.
If the wiring distance is long between the inverter and motor, a main circuit cable voltage drop will cause the motor torque to decrease especially at the output of a low frequency. (A selection example for the wiring length of 20m is shown on page 19.)
- 6) The overall wiring length should be 500m maximum.
Especially for long distance wiring, the overcurrent protection may be misactivated or the devices connected to the output side may misoperate or become faulty under the influence of a charging current due to the stray capacitance of the wiring. Therefore, the maximum overall wiring length should be as indicated in the following table. (When two or more motors are connected to the inverter, the total wiring length should be within the indicated value.)

Inverter Capacity	0.4K	0.75K	1.5K or more
Non-low acoustic noise mode	300m	500m	500m
Low acoustic noise mode	200m	300m	500m



- 7) Connect only the recommended optional brake resistor between the terminals P and PR.
These terminals must not be shorted.
- 8) Electromagnetic wave interference
The input/output (main circuit) of the inverter includes harmonic components, which may interfere with the communication devices (such as AM radios) used near the inverter. In this case, install the FR-BIF optional radio noise filter (for use in the input side only) or FR-BSF01 or FR-BLF line noise filter to minimize interference.

- 9) Do not install a power capacitor, surge suppressor or radio noise filter (FR-BIF option) in the output side of the inverter.
 This will cause the inverter to trip or the capacitor and surge suppressor to be damaged. If any of the above devices are installed, immediately remove them. (If the FR-BIF radio noise filter is connected, switching power off during motor operation may result in E.UVT. In this case, connect the radio noise filter in the primary side of the electromagnetic contactor.)
- 10) When rewiring after operation, make sure that the POWER lamp has gone off, and when more than 10 minutes have elapsed after power-off, check with a meter that the voltage is zero. After that, start rewiring work. For some time after power-off, there is a dangerous voltage in the capacitor.
- 11) Use the space on the left-hand side of the main circuit terminal block to run the cable for connection of the control circuit power terminals R1, S1 of the FR-A520-11K.



Notes on Earthing (Grounding)

- Leakage currents flow in the inverter. To prevent an electric shock, the inverter and motor must be earthed (grounded). Earthing (grounding) must conform to the requirements of national and local safety regulations and electrical code. (JIS, NEC section 250, IEC 536 class 1 and other applicable standards)
- Use the dedicated earth (ground) terminal to earth (ground) the inverter. (Do not use the screw in the case, chassis, etc.)
- Use the thickest possible earth (ground) cable. Use the cable whose size is equal to or greater than that indicated below, and minimize the cable length. The earthing (grounding) point should be as near as possible to the inverter.
- Earth (Ground) the motor on the inverter side using one wire of the 4-core cable.

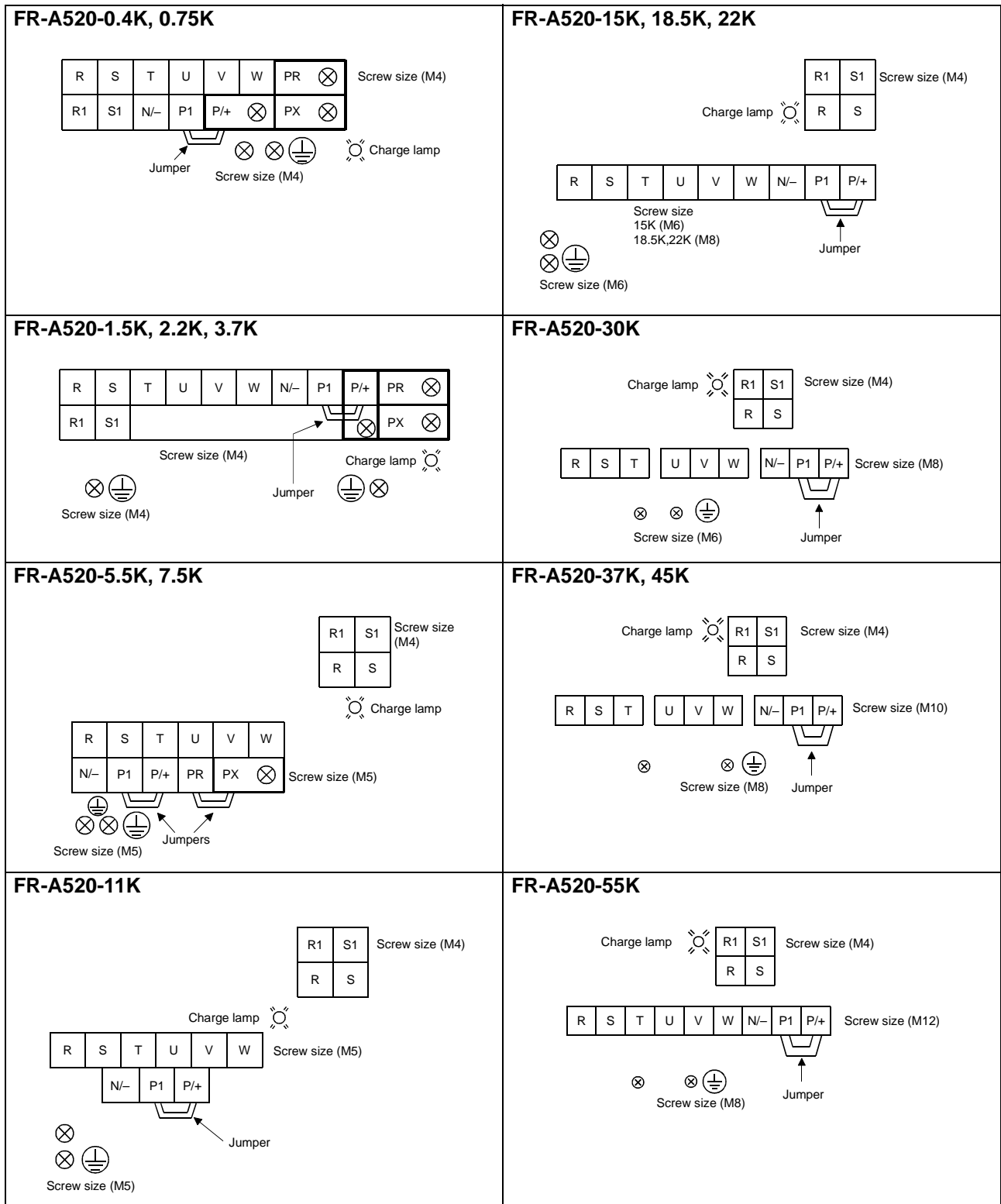
(Unit: mm²)

Motor Capacity	Earth (Ground) Cable Gauge	
	200V class	400V class
2.2kW or less	2	2
3.7kW	3.5	2
5.5kW, 7.5kW	5.5	3.5
11kW to 15kW	14	8
18.5kW to 37kW	22	14
45kW, 55kW	38	22

(2) Terminal block layout

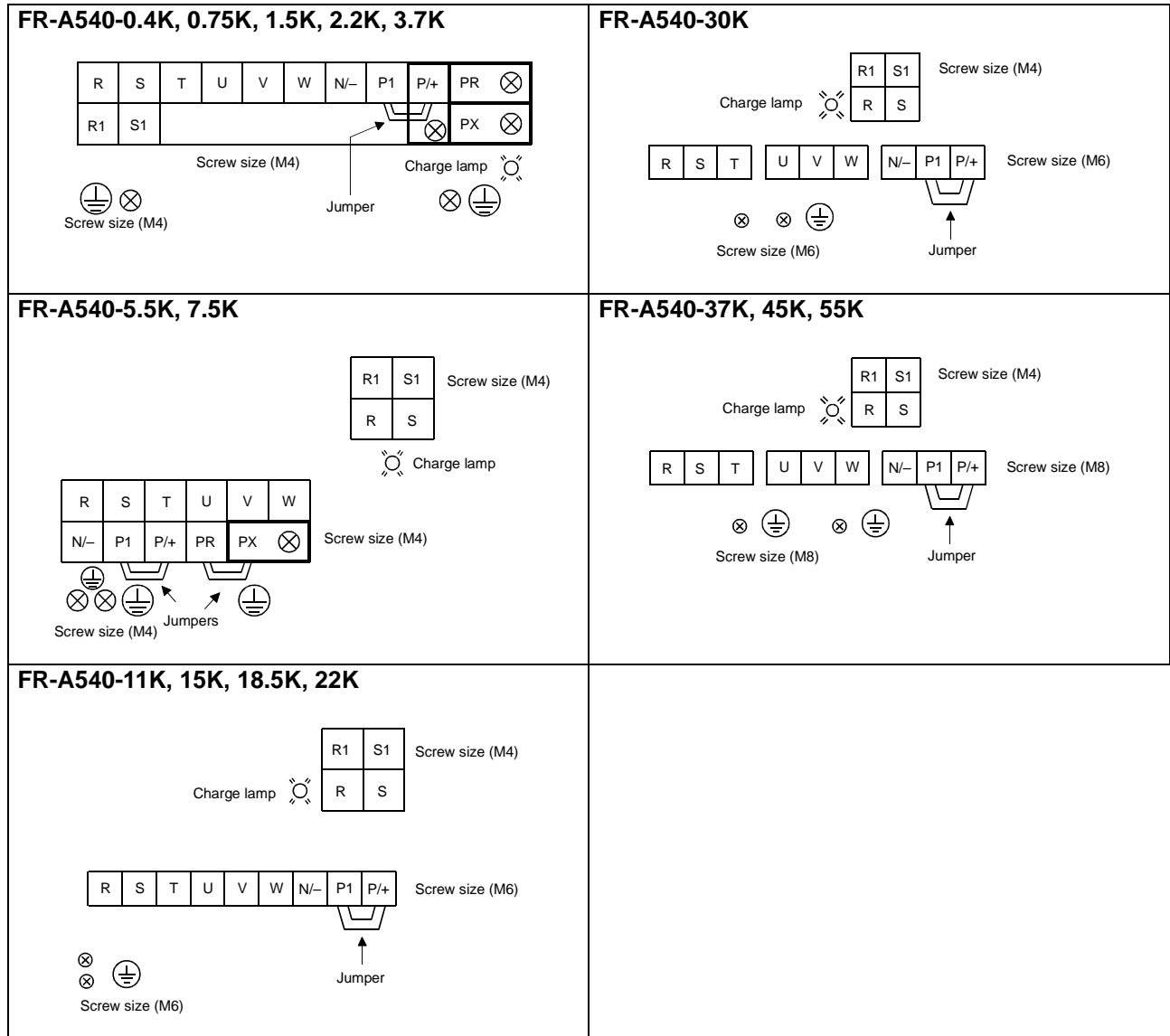
In the main circuit of the inverter, the terminals are arranged as shown below:

1) 200V class



2

2) 400V class



(3) Cables, crimping terminals, etc.

The following table lists the cables and crimping terminals used with the inputs (R, S, T) and outputs (U, V, W) of the inverter and the torques for tightening the screws:

• **FR-A520-0.4K to 55K**

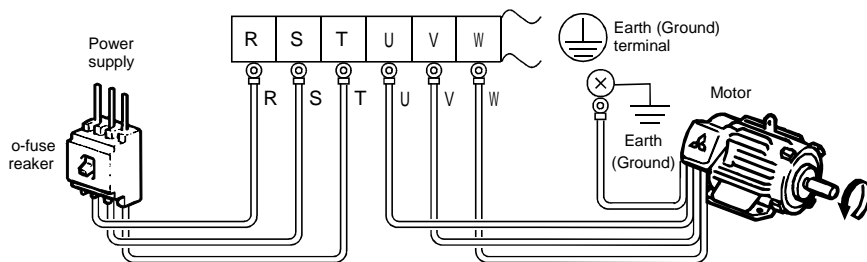
Applicable Inverter Type	Terminal Screw Size	Tightening Torque N·m	Crimping Terminals		HIV Cables (Note 1)			
					mm ²		AWG	
			R, S, T	U, V, W	R, S, T	U, V, W	R, S, T	U, V, W
FR-A520-0.4K to 2.2K	M4	1.5	2-4	2-4	2	2	14	14
FR-A520-3.7K	M4	1.5	5.5-4	5.5-4	3.5	3.5	12	12
FR-A520-5.5K	M5	2.5	5.5-5	5.5-5	5.5	5.5	10	10
FR-A520-7.5K	M5	2.5	14-5	8-5	14	8	6	8
FR-A520-11K	M5	2.5	14-5	14-5	14	14	6	6
FR-A520-15K	M6	4.4	22-6	22-6	22	22	4	4
FR-A520-18.5K	M8	7.8	38-8	38-8	38	38	2	2
FR-A520-22K	M8	7.8	38-8	38-8	38	38	2	2
FR-A520-30K	M8	7.8	60-8	60-8	60	60	1/0	1/0
FR-A520-37K	M10	14.7	100-10	100-10	100	100	4/0	4/0
FR-A520-45K	M10	14.7	100-10	100-10	100	100	4/0	4/0
FR-A520-55K	M12	24.5	150-12	150-12	150	150	MCM300	MCM300

• **FR-A540-0.4K to 55K**

Applicable Inverter Type	Terminal Screw Size	Tightening Torque N·m	Crimping Terminals		HIV Cables (Note 1)			
					mm ²		AWG	
			R, S, T	U, V, W	R, S, T	U, V, W	R, S, T	U, V, W
FR-A540-0.4K to 3.7K	M4	1.5	2-4	2-4	2	2	14	14
FR-A540-5.5K	M4	1.5	5.5-4	2-4	3.5	2	12	14
FR-A540-7.5K	M4	1.5	5.5-4	5.5-4	3.5	3.5	12	12
FR-A540-11K	M6	4.4	5.5-6	5.5-6	5.5	5.5	10	10
FR-A540-15K	M6	4.4	14-6	8-6	14	8	6	8
FR-A540-18.5K	M6	4.4	14-6	8-6	14	8	6	8
FR-A540-22K	M6	4.4	22-6	14-6	22	14	4	6
FR-A540-30K	M6	4.4	22-6	22-6	22	22	4	4
FR-A540-37K	M8	7.8	38-8	22-8	38	22	2	4
FR-A540-45K	M8	7.8	38-8	38-8	38	38	2	2
FR-A540-55K	M8	7.8	60-8	60-8	60	60	1/0	1/0

Note: 1. The cables used should be 75°C copper cables.
 2. Tighten the terminal screws to the specified torques. Undertightening can cause a short or misoperation. Overtightening can cause the screws and unit to be damaged, resulting in a short or misoperation.

(4) Connection of the power supply and motor



The power supply cables must be connected to R, S, T. If they are connected to U, V, W, the inverter will be damaged. Phase sequence need not be matched.
 For use with a single-phase power supply, the power supply cables must be connected to R and S.

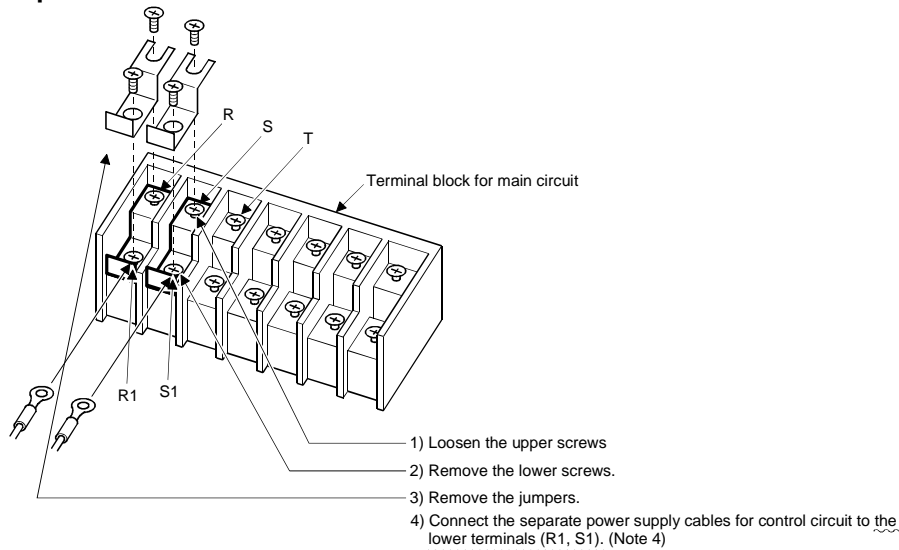
Connect the motor to U, V, W. In the above connection, turning on the forward rotation switch (signal) rotates the motor in the counterclockwise (arrow) direction when viewed from the load shaft.

(5) Connecting the control circuit to a power supply separately from the main circuit

If the magnetic contactor (MC) on the inverter power supply side is opened when the protective circuit is operated, the inverter control circuit power is lost and the alarm output signal cannot be kept on. To keep the alarm signal, terminals R1 and S1 are available. In this case, connect the power supply terminals R1 and S1 of the control circuit to the primary side of the MC.

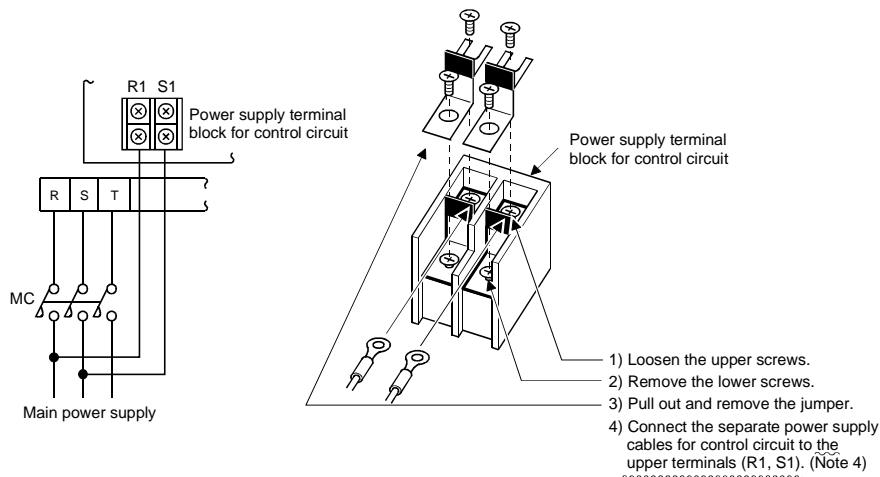
• Model FR-A520-0.4K to 3.7K, FR-A540-0.4K to 3.7K

<Connection procedure>



• Model FR-A520-5.5K to 55K, FR-A540-5.5K to 55K

<Connection procedure>



- Note: 1. When the main circuit power (R, S, T) is on, do not switch off the control power (terminals R1, S1). Otherwise the inverter may be damaged.
2. When using a separate power supply, the jumpers across R-R1 and S-S1 must be removed. Otherwise the inverter may be damaged.
3. For a different power supply system which takes the power of the control circuit from other than the primary side of the MC, the voltage should be equal to the main circuit voltage.
4. For the FR-A520-5.5K to 55K, FR-A540-5.5K to 55K, the power supply cables must not be connected to the lower terminals. If connected, the inverter may be damaged.
5. Supplying power to only the R1 and S1 terminals and entering the start signal results in an error indication (E.OC1).

2.2.3 Wiring of the control circuit

(1) Wiring instructions

- 1) Terminals SD, SE and 5 are common to the I/O signals and isolated from each other. Do not earth (ground) these terminals. Avoid connecting the terminals SD and 5 and the terminals SE and 5.
- 2) Use shielded or twisted cables for connection to the control circuit terminals and run them away from the main and power circuits (including the 200V relay sequence circuit).
- 3) Since the control circuit input signals are micro currents, use two or more parallel micro signal contacts or a twin contact to prevent a contact fault.
- 4) It is recommended to use the cables of 0.75mm² gauge for connection to the control circuit terminals.
If the cable gauge used is 1.25mm² or more, the front cover may be lifted when there are many cables running or the cables are run improperly, resulting in an operation panel or parameter unit contact fault.

(2) Terminal block layout

In the control circuit of the inverter, the terminals are arranged as shown below:

Terminal screw size: M3.5

Tightening torque: 1.2N.m

A	B	C	PC	AM	10E	10	2	5	4	1
	RL	RM	RH	RT	AU	STOP	MRS	RES	SD	FM
SE	RUN	SU	IPF	OL	FU	SD	STF	STR	JOG	CS

(3) Changing the control logic

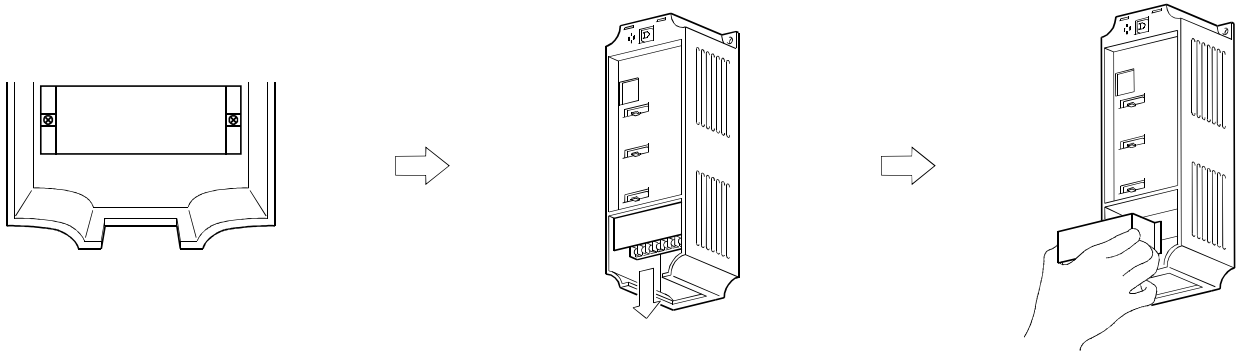
The input signals are set to sink logic.

To change the control logic, the jumper connector on the back of the control circuit terminal block must be moved to the other position.

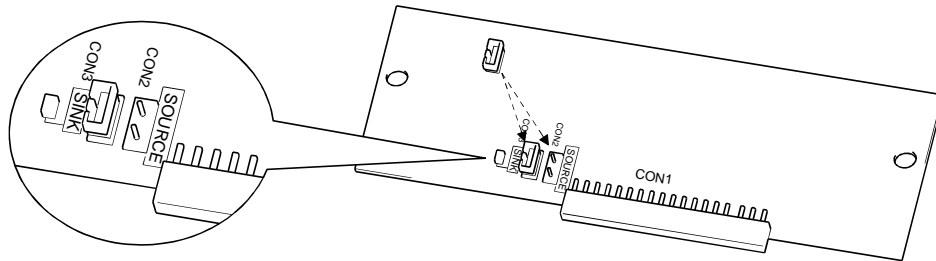
(The output signals may be used in either the sink or source logic independently of the jumper connector position.)

- 1) Loosen the two mounting screws in both ends of the control circuit terminal block. (The screws cannot be removed.)

Pull down the terminal block from the back of the control circuit terminals.



- 2) Remove the jumper connector in the sink logic position on the back surface of the control circuit terminal block and fit it in the source logic position.



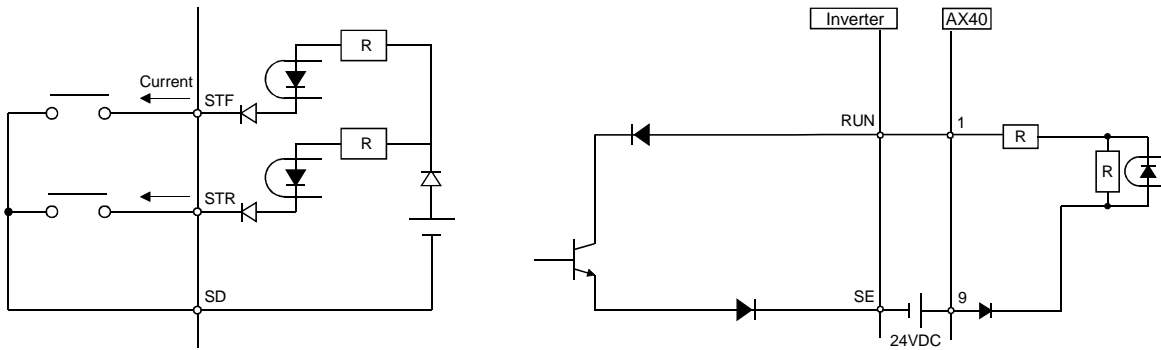
- 3) Using care not to bend the pins of the control circuit connector, reinstall the control circuit terminal block and fix it with the mounting screws.

Note: 1. Make sure that the control circuit connector is fitted correctly.
 2. While power is on, never disconnect the control circuit terminal block.
 3. The sink-source logic change-over jumper connector must be fitted in only one of those positions. If it is fitted in both positions at the same time, the inverter may be damaged.

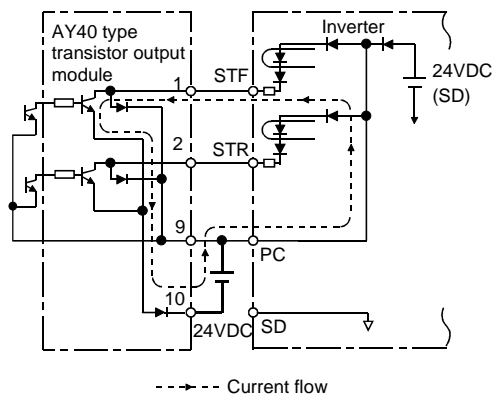
4) Sink logic type

- The sink logic type is a logic where a signal turns on when a current flows out of the corresponding signal input terminal.

Terminal SD is common to the contact input signals. Terminal SE is common to the open collector output signals.



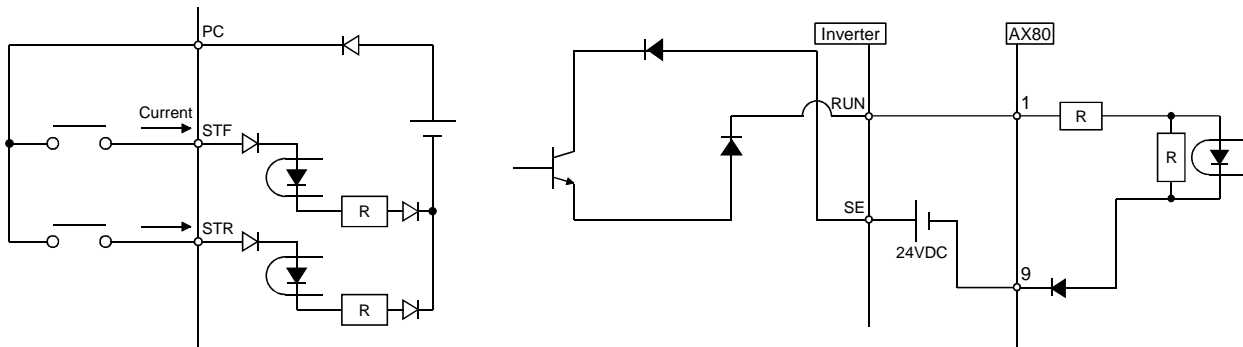
- When using an external power supply for transistor output, use terminal PC as a common to prevent misoperation caused by undesirable current. (Do not connect terminal SD of the inverter with terminal 0V of the external power supply. When using terminals PC-SD as a 24VDC power supply, do not install the power supply in parallel outside the inverter. Doing so may cause misoperation due to leakage current.)



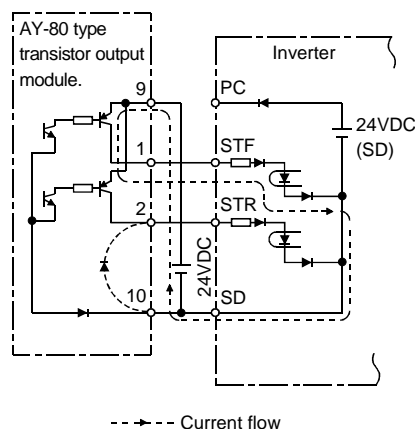
5) Source logic type

- The Source logic type is a logic where a signal switches on when a current flows into the corresponding signal input terminal.

Terminal PC is common to the contact input signals. Terminal SE is common to the open collector output signals.



- When using an external power supply for transistor output, use terminal SD as a common to prevent misoperation caused by undesirable current.



(4) How to use terminals "STOP", "CS" and "PC"

1) Using the "STOP" terminal

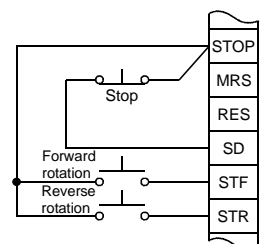
A connection example (for sink logic) for self-holding the start signal (forward rotation, reverse rotation) is shown on the right.

2) Using the "CS" terminal

This terminal is used to perform automatic restart after instantaneous power failure and commercial power supply-inverter switch-over operation.

<Example: Automatic restart after instantaneous power failure in sink logic>

Short terminals CS-SD and set a value other than "9999" in Pr. 57 "coasting time for automatic restart after instantaneous power failure".



3) Using the "PC" terminal

This terminal can be used as 24VDC power output using SD as a common terminal.

Specifications: 18V to 26VDC, 0.1A permissible current

Note that the wiring length should be within 30m.

Do not short terminals PC-SD.

When terminal PC is used as a 24V power supply, leakage current from transistor output cannot be prevented.

2.2.4 Connection to the PU connector

(1) When connecting the operation panel or parameter unit using a connection cable

<Recommended cable connector>

- Parameter unit connection cable (FR-CB2□□) (option) or the following connector and cable.
- Connector: RJ45 connector
Example: 5-554720-3, Tyco Electronics Corporation
- Cable: Cable conforming to EIA568 (e.g. 10BASE-T cable)
Example: SGLPEV-T 0.5mm×4P (Twisted pair cable, 4 pairs), MITSUBISHI CABLE INDUSTRIES, LTD.

Note: 1. The maximum wiring length is 20m.

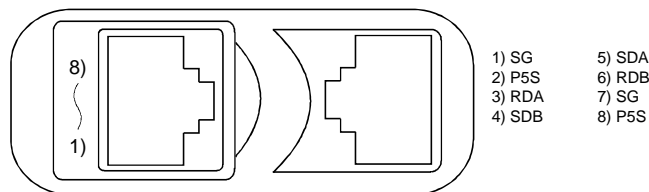
(2) For RS-485 communication

With the operation panel disconnected, the PU connector can be used for communication operation from a personal computer etc.

When the PU connector is connected with a personal, FA or other computer by a communication cable, a user program allows the inverter to be run and monitored and the parameter values to be read and written.

<PU connector pin-outs>

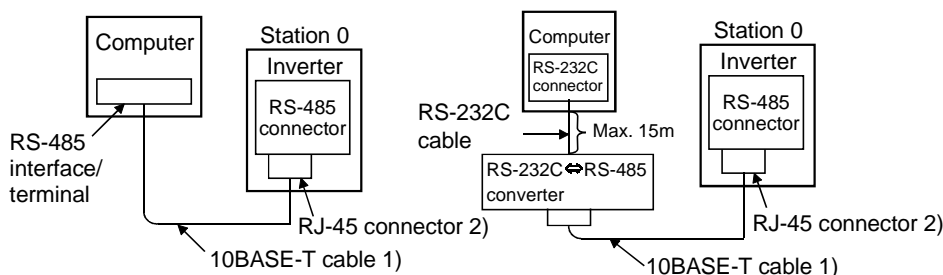
Viewed from the inverter (receptacle side) front



- Note: 1. Do not connect the PU connector to the computer's LAN board, FAX modem socket or telephone modular connector. Otherwise, the product may be damaged due to electrical specification differences.
2. Pins 2) and 8) (P5S) provide power to the operation panel or parameter unit. Do not use these pins for RS-485 communication.
3. For communication parameters, refer to page 130.

<System configuration example>

1) Connection of a computer to the inverter (1:1 connection)



● Computer-inverter connection cable

Refer to the following for the cable (RS-232C↔RS-485 converter) for connection of the computer having the RS-232C interface with the inverter.

Example of product available on the market (as of Sep., 2002)

Model	Maker
FA-T-RS40□*	Mitsubishi Electric Engineering Co., Ltd.

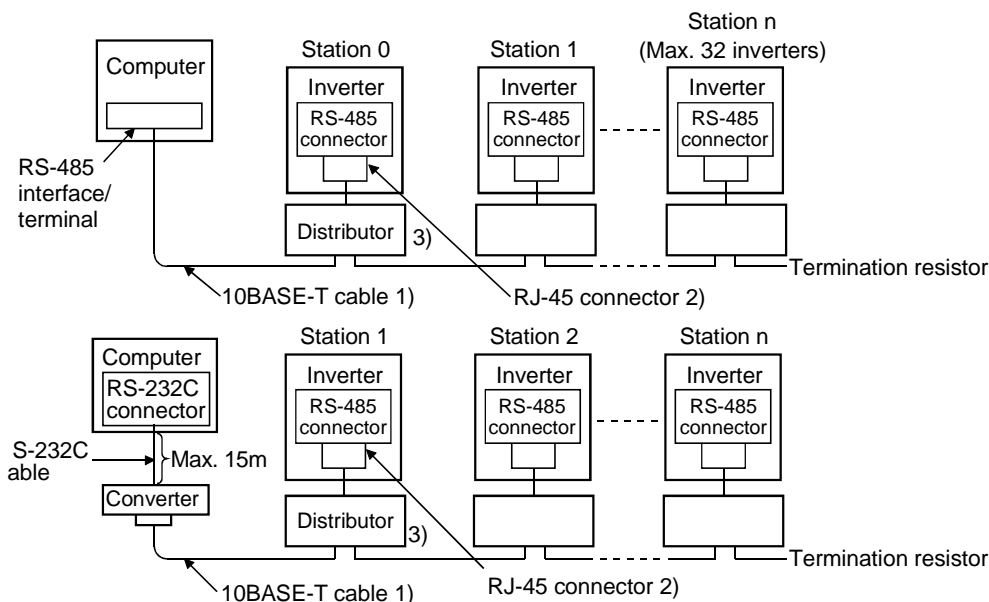
*The converter cable cannot connect two or more inverters (the computer and inverter are connected on a 1:1 basis). Since the product is packed with the RS-232C cable and RS-485 cable (10BASE-T + RJ-45 connector), the cable and connector need not be prepared separately. Contact a maker for details of the product.

REMARKS

Refer to the following when fabricating the cable on the user side.
Example of product available on the market (as of Sep., 2002)

	Product	Model	Maker
1)	10BASE-T cable	SGLPEV-T 0.5mm × 4P * Do not use pins No. 2, 8 (P5S).	Mitsubishi Cable Industries, Ltd.
2)	RJ-45 connector	5-554720-3	Tyco Electronics Corporation

2) Connection of a computer to multiple inverters (1:n connection)



REMARKS

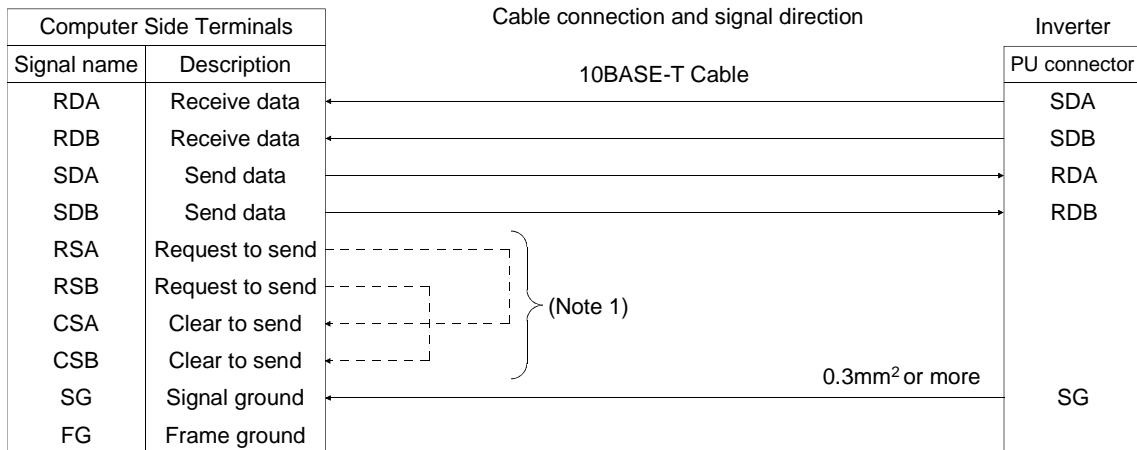
Refer to the following when fabricating the cable on the user side.
Example of product available on the market (as of Sep., 2002)

	Product	Model	Maker
1)	10BASE-T cable	SGLPEV-T 0.5mm × 4P*	Mitsubishi Cable Industries, Ltd.
2)	RJ-45 connector	5-554720-3	Tyco Electronics Corporation

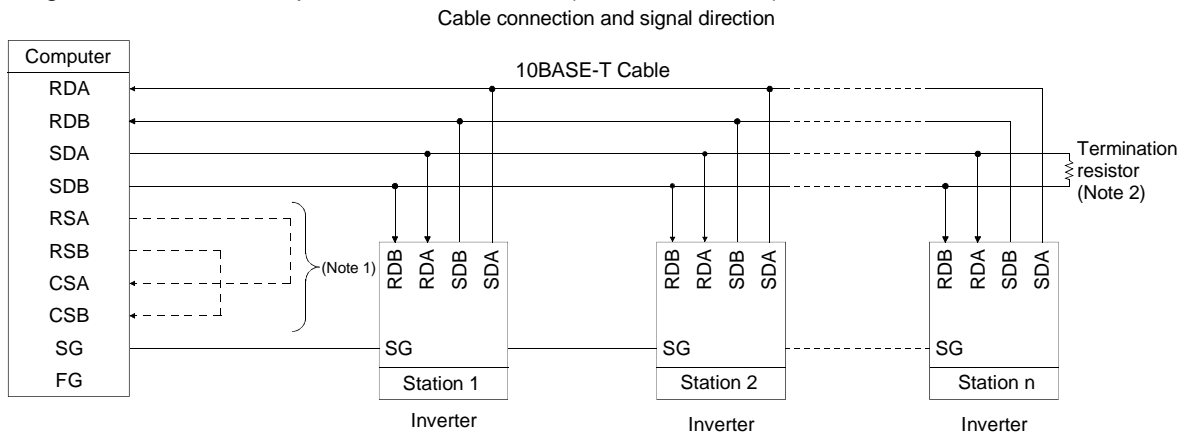
* Do not use pins No. 2, 8 (P5S).

<Wiring method>

1) Wiring of one RS-485 computer and one inverter



2) Wiring of one RS-485 computer and "n" inverters (several inverters)



2

Note: 1. Make connections in accordance with the instruction manual of the computer used. Fully check the terminal numbers of the computer as they differ between models.

2. There may be the influence of reflection depending on the transmission speed and/or transmission distance. If this reflection hinders communication, provide a terminal resistor. If the PU connector is used to make a connection, use a distributor as a terminal resistor cannot be fitted. Connect the terminal resistor only to the inverter remotest from the computer. (Terminal resistor: 100Ω)

2.2.5 Connection of stand-alone option units

The inverter accepts a variety of stand-alone option units as required.

Incorrect connection will cause inverter damage or accident. Connect and operate the option unit carefully in accordance with the corresponding option unit manual.

(1) Connection of the dedicated external brake resistor (FR-ABR)

The built-in brake resistor is connected across terminals P and PR. Fit the external dedicated brake resistor (FR-ABR) instead when the built-in brake resistor does not have enough thermal capability for high-duty operation. Remove the jumper from across terminals PR-PX and connect the dedicated brake resistor (FR-ABR) across terminals P-PR.

Set "1" in Pr. 30 "regenerative function selection" and "10%" in Pr. 70 "special regenerative brake duty." (Refer to page 87)

(For the positions of terminals P and PR, refer to the terminal block arrangement (page 17 and 18).)

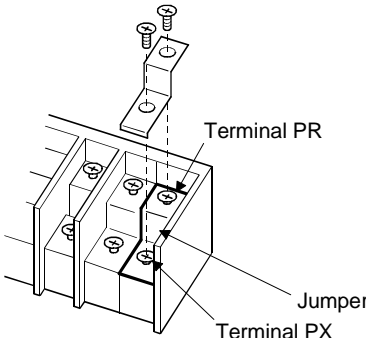
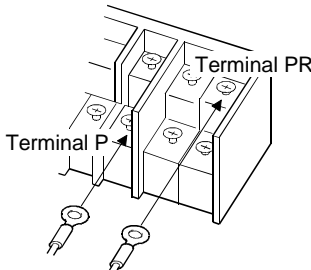
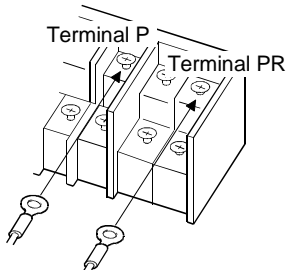
Note: 1. The brake resistor connected should only be the dedicated brake resistor.

2. The jumper across terminals PR-PX (7.5K or less) must be disconnected before connecting the dedicated brake resistor. A failure to do so may damage the inverter.

• ModelFR-A520-0.4K to 3.7K, FR-A540-0.4K to 3.7K

- 1) Remove the screws in terminals PR and PX and remove the jumper.
- 2) Connect the brake resistor across terminals P-PR.

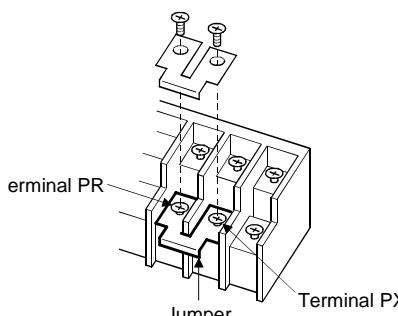
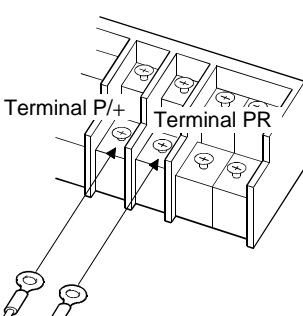
(The jumper should remain disconnected.)

Removal of jumper	FR-A520-0.4K, 0.75K	FR-A520-1.5K to 3.7K FR-A540-0.4K to 3.7K
		

• ModelFR-A520-5.5K, 7.5K, FR-A540-5.5K, 7.5K

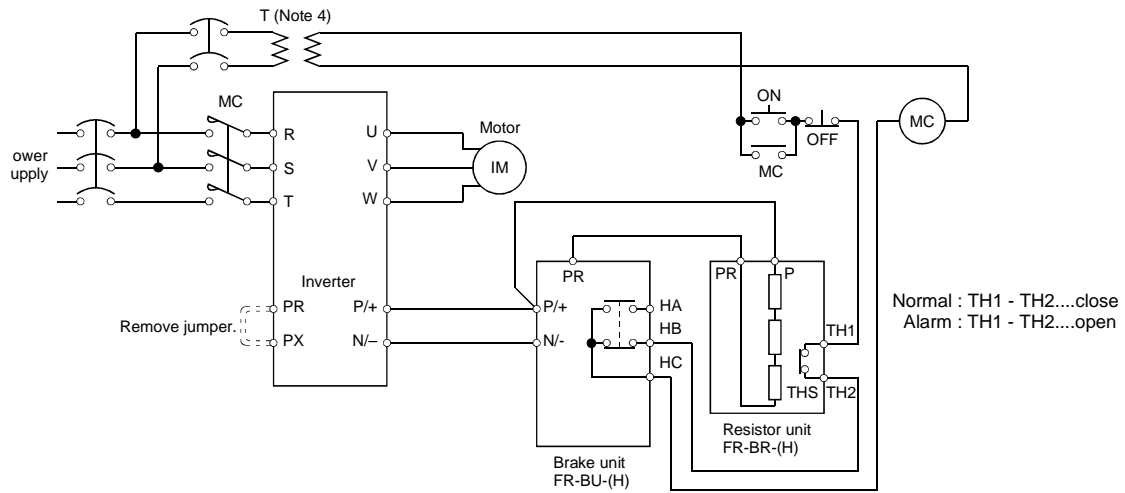
- 1) Remove the screws in terminals PR and PX and remove the jumper.
- 2) Connect the brake resistor across terminals P-PR.

(The jumper should remain disconnected.)

Removal of jumper	FR-A520-5.5K, 7.5K FR-A540-5.5K, 7.5K
	

(2) Connection of the brake unit (FR-BU)

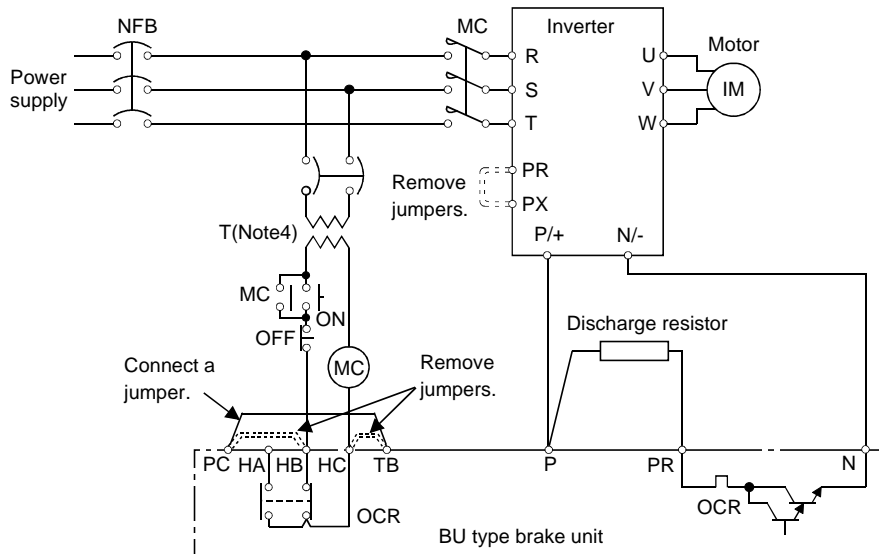
Connect the optional FR-BU brake unit as shown below to improve the braking capability during deceleration.



- Note: 1. Connect the inverter terminals (P, N) and FR-BU brake unit terminals so that their terminal signals match with each other. (Incorrect connection will damage the inverter.) For model 7.5K or less, the jumper across terminals PR-PX must be removed.
2. The wiring distance between the inverter, brake unit and resistor unit should be within 5m. If twisted wires are used, the distance should be within 10m.
3. When the transistor in the brake unit fails, the brake transistor becomes extremely hot and it has a chance to get fire. Therefore, install a magnetic contactor on the inverter's power supply side to shut off a current in case of failure.
4. For the power supply of 400V class, install a voltage-reducing transformer.

(3) Connection of the brake unit (BU type)

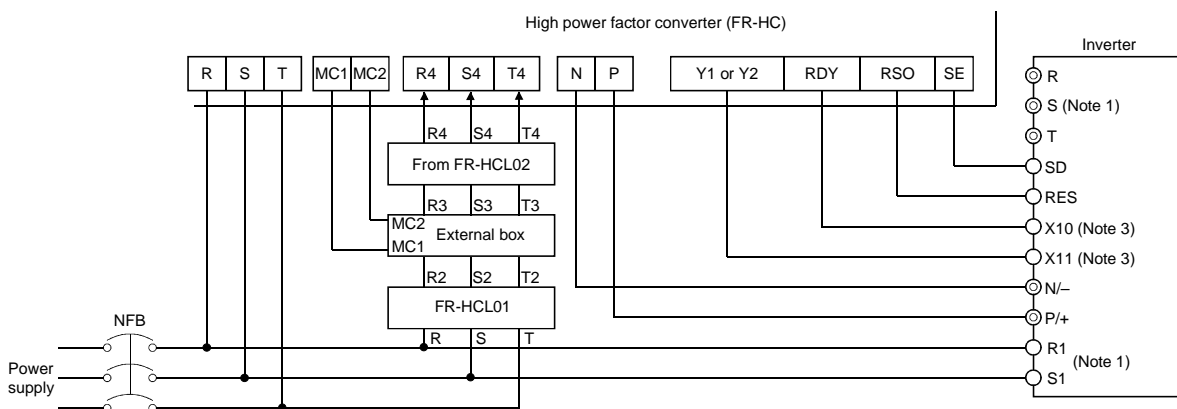
Connect the BU type brake unit correctly as shown below. Incorrect connection will damage the inverter. Remove jumpers across terminals HB-PC and TB-HC, then fit a jumper across terminals PC-TB.



- Note:
1. For models 7.5K or less, remove the jumper across terminals PR-PX.
 2. The wiring distance between the inverter, brake unit and discharge resistor should be within 2m.
If twisted wires are used, the distance should be within 5m.
 3. When the transistor in the brake unit fails, the brake transistor becomes extremely hot and it has a chance to get fire. Therefore, install a magnetic contactor on the inverter's power supply side to shut off current in case of failure.
 4. For the power supply of 400V class, install a voltage-reducing transformer.

(4) Connection of the FR-HC type high power factor converter (FR-HC)

When connecting the high power factor converter (FR-HC) to suppress power harmonics, perform wiring securely as shown below. Incorrect connection will damage the high power factor converter and inverter. After making sure that the wiring is correct, set "2" in Pr. 30 "regenerative function selection".

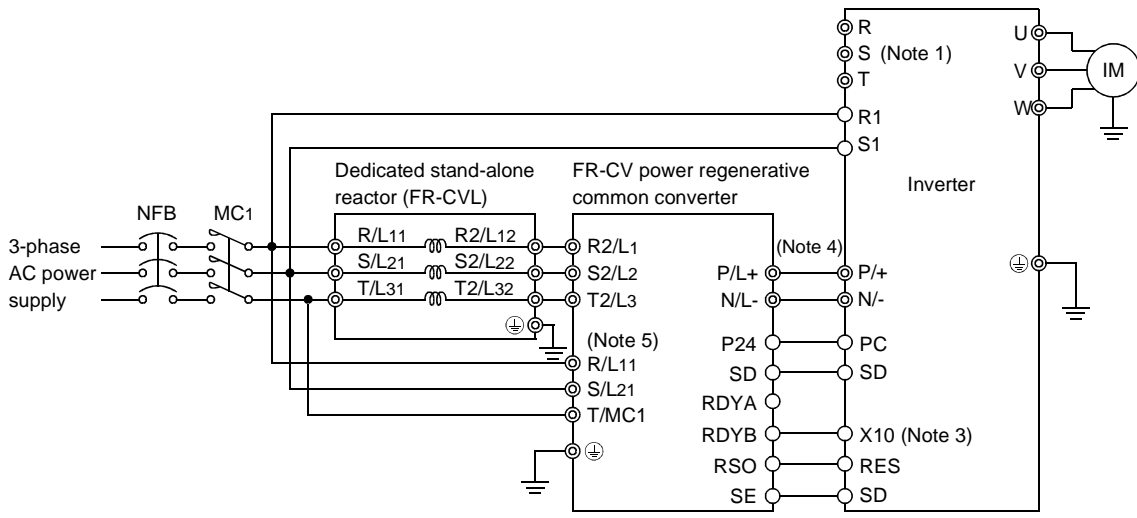


- Note: 1. Remove the jumpers across the R-R1 and S-S1 terminals of the inverter, and connect the control circuit power supply across the R1-S1 terminals. The power input terminals R, S, T must be open. Incorrect connection will damage the inverter. Opposite polarity of terminals N, P will damage the inverter.
2. The voltage phases of terminals R, S, T and terminals R4, S4, T4 must be matched before connection.
3. Use Pr. 180 to Pr. 186 (input terminal function selection) to assign the terminals used for the X10 and X11 signals.
Use the X11 signal when using the computer link plug-in option (FR-A5NR). (Refer to page 87)
4. Do not insert NFB between terminals P-N (P/+ -P+, N/- - N).
5. When the FR-HC is connected, use sink logic (factory setting). For source logic, the FR-HC cannot be connected.

(5) Connection of the power regeneration common converter (FR-CV)

When connecting the FR-CV type power regeneration common converter, connect the inverter terminals (P, N) and FR-CV type power regeneration common converter terminals as shown below so that their signals match with each other. After making sure that the wiring is correct, set "2" in Pr. 30 "regenerative function selection". For details, refer to the instruction manual of the FR-CV type power regeneration common converter.

2



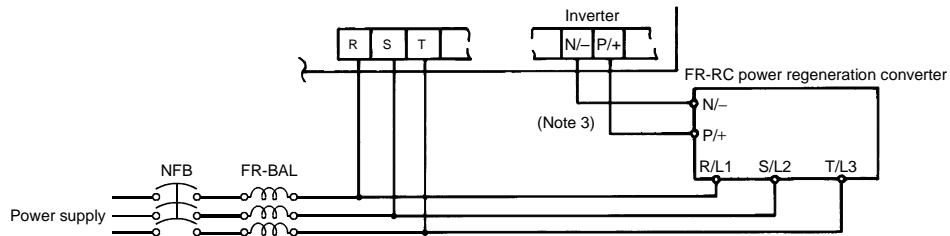
- Note: 1. Remove the jumpers across the R-R1 and S-S1 terminals of the inverter, and connect the control circuit power supply across the R1-S1 terminals. The power input terminals R, S, T must be open. Accidental connection will damage the inverter. Opposite polarity of terminals N, P will damage the inverter.
2. The voltage phases of terminals R/L11, S/L21, T/MC1 and terminals R2/L1, S2/L2, T2/L3 must be matched before connection.
3. Use Pr. 180 to Pr. 186 (input terminal function selection) to assign the terminals used for the X10 signal. (Refer to page 162.)
4. Do not insert NFB between terminals P-N(P/L+-P, N/L- - N)
5. Make sure to connect the terminal R/L11, S/L21, T/MC1 to the power supply. Running the inverter without connecting the terminals will damage the power regeneration common converter.

(6) Connection of the power regeneration converter (FR-RC)

(For power coordination, always install the power factor improving reactor (FR-BAL).)

When connecting the FR-RC type power regeneration converter, connect the inverter terminals (P/+, N/-) and FR-RC type power regeneration converter terminals as shown below so that their signals match with each other. After making sure that the wiring is correct, set "0" in Pr. 30 "regenerative function selection".

For details, refer to the FR-RC type power regeneration converter manual.

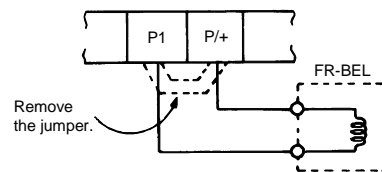


- Note: 1. For models 7.5K or less, the jumper across terminals PR-PX must be removed.
 2. How to connect the FR-BAL power factor improving AC reactor (option)
 When using two or more inverters in the same system, small impedance between the inverters will cause a regenerative current from the power regeneration converter to leak into the other inverters, resulting in overcurrent alarm of the other inverters. To prevent this, install a power factor improving AC reactor on the power supply side for all the inverters.
 3. Do not insert NFB between terminals P-N (P/+ -P/+ , N/- - N/-).

(7) Connection of the power factor improving DC reactor (option)

Connect the FR-BEL power factor improving DC reactor between terminals P1-P. In this case, the jumper connected across terminals P1-P must be removed. Otherwise, the reactor will not function.

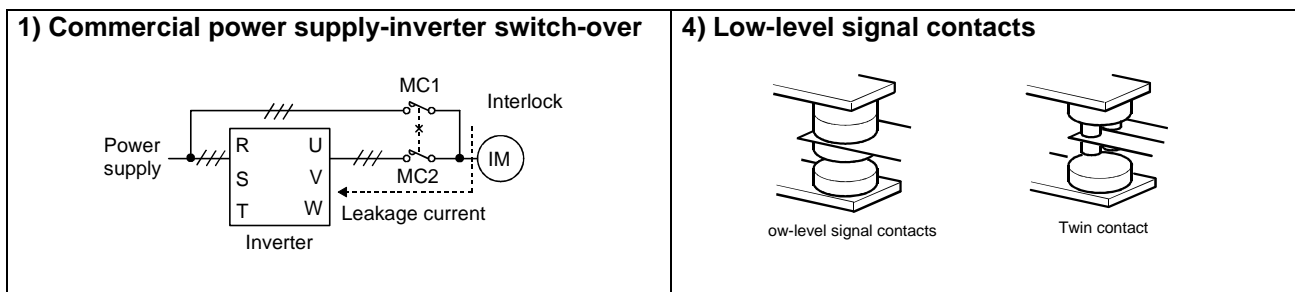
<Connection method>



- Note: 1. The wiring distance should be within 5m.
 2. The size of the cables used should be equal to or larger than that of the power supply cables (R, S, T).

2.2.6 Design information

- 1) When performing commercial power supply-inverter switch-over operation, securely provide electrical and mechanical interlocks for MC1 and MC2 used for commercial power supply-inverter switch-over.
When there is a commercial power supply-inverter switch-over circuit as shown below, the inverter will be damaged by leakage current from the power supply due to arcs generated at the time of switch-over or chattering caused by a sequence error.
- 2) If the machine must not be restarted when power is restored after a power failure, provide a magnetic contactor in the inverter's primary circuit and also make up a sequence which will not switch on the start signal.
If the start signal (start switch) remains on after a power failure, the inverter will automatically restart as soon as the power is restored.
- 3) When the power supply used with the control circuit is different from the one used with the main circuit, make up a circuit which will switch off the main circuit power supply terminals R, S, T when the power supply terminals R1, S1 for the control circuit are switched off.
- 4) Since the input signals to the control circuit are on a low level, use two or more parallel micro signal contacts or a twin contact for contact inputs to prevent a contact fault.
- 5) Do not apply a large voltage to the contact input terminals (e.g. STF) of the control circuit.
- 6) Always apply a voltage to the alarm output signal terminals (A, B, C) via a relay coil, lamp, etc.
- 7) Make sure that the specifications and rating match the system requirements.



2.3 Other wiring

2.3.1 Power harmonics

Power harmonics may be generated from the converter section of the inverter, affecting power supply equipment, power capacitors, etc. Power harmonics are different in generation source, frequency and transmission path from radio frequency (RF) noise and leakage currents. Take the following measures.

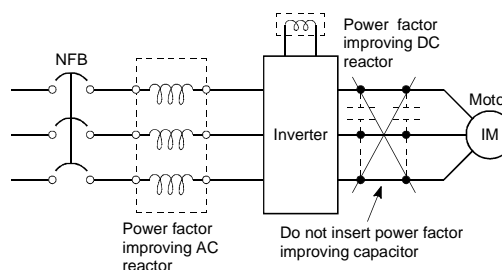
- The differences between harmonics and RF noise are indicated below:

Item	Harmonics	RF Noise
Frequency	Normally 40th to 50th degrees or less, (up to 3kHz or less)	High frequency (several 10kHz to 1GHz order)
Environment	To wire paths, power impedance	Across spaces, distance, laying paths
Quantitative understanding	Logical computation is possible	Occurs randomly, quantitative understanding is difficult.
Generated amount	Approximately proportional to load capacity	According to current fluctuation rate (larger with faster switching)
Immunity of affected device	Specified in standards for each device.	Differs according to maker's device specifications.
Example of safeguard	Install a reactor	Increase the distance.

- Safeguard

The harmonic current generated from the inverter to the power supply differs according to various conditions such as the wiring impedance, whether a power factor improving reactor is used or not, and output frequency and output current on the load side.

For the output frequency and output current, the adequate method is to obtain them under rated load at the maximum operating frequency.



Note: A power factor improving capacitor or surge suppressor on the inverter's output may overheat or be damaged due to the harmonics of the inverter output. Also, when an overcurrent flows in the inverter, the overcurrent protection is activated. Hence, when the motor is driven by the inverter, do not install a capacitor or surge suppressor on the inverter's output. To improve the power factor, insert a power factor improving reactor on the inverter's primary side or in the DC circuit. For details, refer to the FR-A500/E500 series technical information.

2.3.2 Harmonic suppression guidelines

Harmonic currents flow from the inverter to a power receiving point via a power transformer. The harmonic suppression guidelines were established to protect other consumers from these outgoing harmonic currents.

1) "Harmonic suppression guideline for household appliances and general-purpose products"

This guideline was issued by Ministry of Economy, Trade and Industry (formerly the Ministry of International Trade and Industry) in September, 1994 and applies to 200V class inverters of 3.7kW or less. By installing the FR-BEL or FR-BAL power factor improving reactor, inverters comply with the "harmonic suppression techniques for transistorized inverters (input current 20A or less)" established by the Japan Electrical Manufacturers' Association. Therefore install the optional reactor for the 200V class, 3.7kW or less inverter.

2) "Harmonic suppression guideline for specific consumers"

This guideline sets forth the maximum values of harmonic currents outgoing from a high-voltage or especially high-voltage consumer who will install, add or renew harmonic generating equipment. If any of the maximum values are exceeded, this guideline requires that consumer to take certain suppression measures.

Table 1 Maximum Values of Outgoing Harmonic Currents per 1kW Contract Power

Received Power Voltage	5th	7th	11th	13th	17th	19th	23rd	Over 23rd
6.6kV	3.5	2.5	1.6	1.3	1.0	0.9	0.76	0.70
22kV	1.8	1.3	0.82	0.69	0.53	0.47	0.39	0.36
33kV	1.2	0.86	0.55	0.46	0.35	0.32	0.26	0.24

(1) Application of the harmonic suppression guideline for specific consumers

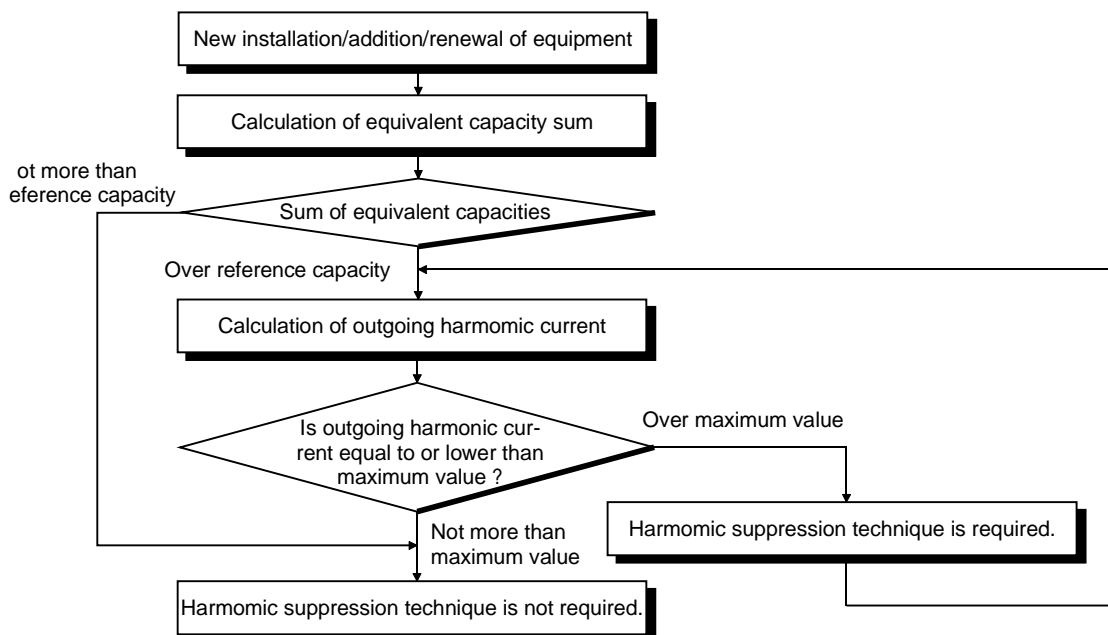


Table 2 Conversion Factors for FR-A500 Series

Class	Circuit Type		Conversion Factor Ki
3	3-phase bridge (Capacitor-smoothed)	Without reactor	K31 = 3.4
		With reactor (AC side)	K32 = 1.8
		With reactor (DC side)	K33 = 1.8
		With reactors (AC, DC sides)	K34 = 1.4
5	Self-exciting 3-phase bridge	When high power factor converter is used	K5 = 0

Table 3 Equivalent Capacity Limits

Received Power Voltage	Reference Capacity
6.6kV	50kVA
22/33kV	300kVA
66kV or more	2000kVA

Table 4 Harmonic Content (Values at the fundamental current of 100%)

Reactor	5th	7th	11th	13th	17th	19th	23rd	25th
Not used	65	41	8.5	7.7	4.3	3.1	2.6	1.8
Used (AC side)	38	14.5	7.4	3.4	3.2	1.9	1.7	1.3
Used (DC side)	30	13	8.4	5.0	4.7	3.2	3.0	2.2
Used (AC, DC sides)	28	9.1	7.2	4.1	3.2	2.4	1.6	1.4

1) Calculation of equivalent capacity P0 of harmonic generating equipment

The "equivalent capacity" is the capacity of a 6-pulse converter converted from the capacity of consumer's harmonic generating equipment and is calculated with the following equation. If the sum of equivalent capacities is higher than the limit in Table 3, harmonics must be calculated with the following procedure:

$$P0 = \sum (Ki \times Pi) \text{ [kVA]}$$

Ki: Conversion factor (refer to Table 2)

Pi: Rated capacity* of harmonic generating equipment [kVA]

i : Number indicating the conversion circuit type

* Rated capacity: Determined by the capacity of the applied motor and found in Table 5. It should be noted that the rated capacity used here is used to calculate generated harmonic amount and is different from the power supply capacity required for actual inverter drive.

2) Calculation of outgoing harmonic current

Outgoing harmonic current = fundamental wave current (value converted from received power voltage) × operation ratio × harmonic content

- Operation ratio: Operation ratio = actual load factor × operation time ratio during 30 minutes
- Harmonic content: Found in Table 4.

Table 5 Rated Capacities and Outgoing Harmonic Currents for Inverter Drive

Applied Motor (kW)	Rated Current [A]		Fundamental Wave Current Converted from 6.6kV (mA)	Rated Capacity (kVA)	Outgoing Harmonic Current Converted from 6.6kV (No reactor, 100% operation ratio)							
	200V	400V			5th	7th	11th	13th	17th	19th	23rd	25th
0.4	1.61(Note)	0.81	49	0.57	31.85	20.09	4.165	3.773	2.107	1.519	1.274	0.882
0.75	2.74(Note)	1.37	83	0.97	53.95	34.03	7.055	6.391	3.569	2.573	2.158	1.494
1.5	5.50(Note)	2.75	167	1.95	108.6	68.47	14.20	12.86	7.181	5.177	4.342	3.006
2.2	7.93(Note)	3.96	240	2.81	156.0	98.40	20.40	18.48	10.32	7.440	6.240	4.320
3.7	13.0(Note)	6.50	394	4.61	257.1	161.5	33.49	30.34	16.94	12.21	10.24	7.092
5.5	19.1	9.55	579	6.77	376.1	237.4	49.22	44.58	24.90	17.95	15.05	10.42
7.5	25.6	12.8	776	9.07	504.4	318.2	65.96	59.75	33.37	24.06	20.18	13.97
11	36.9	18.5	1121	13.1	728.7	459.6	95.29	86.32	48.20	34.75	29.15	20.18
15	49.8	24.9	1509	17.6	980.9	618.7	128.3	116.2	64.89	46.78	39.24	27.16
18.5	61.4	30.7	1860	21.8	1209	762.6	158.1	143.2	79.98	57.66	48.36	33.48
22	73.1	36.6	2220	25.9	1443	910.2	188.7	170.9	95.46	68.82	57.72	39.96
30	98.0	49.0	2970	34.7	1931	1218	252.5	228.7	127.7	92.07	77.22	53.46
37	121	60.4	3660	42.8	2379	1501	311.1	281.8	157.4	113.5	95.16	65.88
45	147	73.5	4450	52.1	2893	1825	378.3	342.7	191.4	138.0	115.7	80.10
55	180	89.9	5450	63.7	3543	2235	463.3	419.7	234.4	169.0	141.7	98.10

Note: The fundamental wave input currents are indicated because when a motor whose capacity is 3.7kW or less is driven by a more than 3.7kW inverter, e.g. when a 3.7kW motor is driven by a 5.5kW inverter, the transistorized inverter is not covered by the harmonic suppression guideline for household appliances and general-purpose products and must be included in the calculation of harmonic currents for the guideline.

3) Harmonic suppression technique requirement

If the outgoing harmonic current is higher than the maximum value per 1kW (contract power) × contract power, a harmonic suppression technique is required.

4) Harmonic suppression techniques

No.	Item	Description
1	Reactor installation (ACL, DCL)	Install a reactor (ACL) in the AC side of the inverter or a reactor (DCL) in its DC side or both to suppress outgoing harmonic currents.
2	High power factor converter (FR-HC)	The converter circuit is switched on-off to convert an input current waveform into a sine wave, suppressing harmonic currents substantially. The high power factor converter (FR-HC) is used with the standard accessory.
3	Installation of power factor improving capacitor	When used with a series reactor, the power factor improving capacitor has an effect of absorbing harmonic currents.
4	Transformer multi-phase operation	Use two transformers with a phase angle difference of 30° as $ir \Delta$, Δ - Δ combination to provide an effect corresponding to 12 pulses, reducing low-degree harmonic currents.
5	AC filter	A capacitor and a reactor are used together to reduce impedance at specific frequencies, producing a great effect of absorbing harmonic currents.
6	Active filter	This filter detects the current of a circuit generating a harmonic current and generates a harmonic current equivalent to a difference between that current and a fundamental wave current to suppress a harmonic current at a detection point, providing a great effect of absorbing harmonic currents.

2.3.3 Inverter-generated noises and their reduction techniques

Some noises enter the inverter to malfunction it and others are radiated by the inverter to malfunction peripheral devices. Though the inverter is designed to be insusceptible to noise, it handles low-level signals, so it requires the following basic measures to be taken. Also, since the inverters chops outputs at high carrier frequency, that could generate noise. If these noises cause peripheral devices to malfunction, measures should be taken to suppress the noise. These techniques differ slightly depending on noise propagation paths.

1) Basic techniques

- Do not run the power cables (I/O cables) and signal cables of the inverter in parallel with each other and do not bundle them.
- Use twisted pair shielded cables for the detector connection and control signal cables, and connect the sheathes of the shielded cables to terminal SD.
- Earth (Ground) the inverter, motor, etc. at one point.

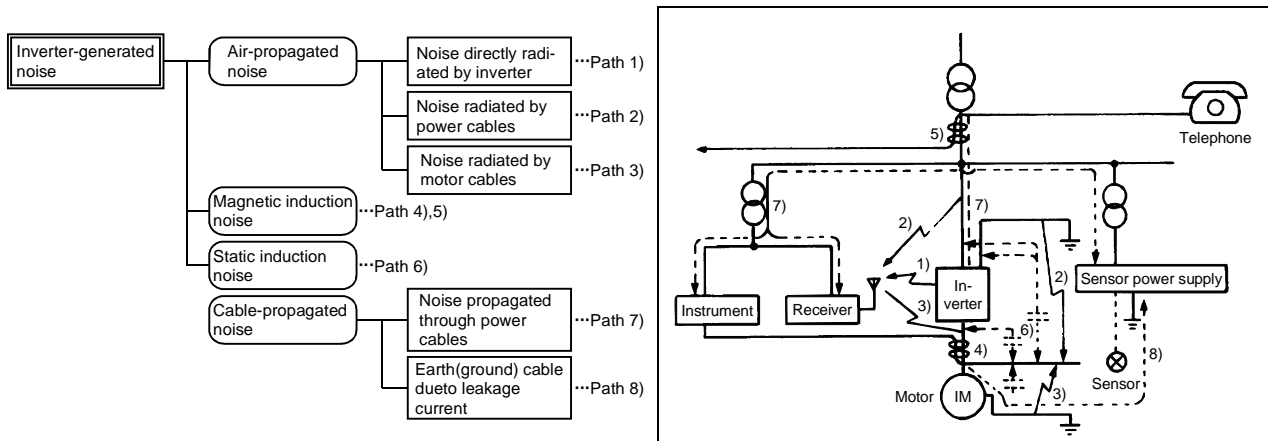
2) Measures against noises which enter and cause misoperation of the inverter

When devices that generate many noises (which use magnetic contactors, magnetic brakes, many relays, for example) are installed near the inverter and the inverter may be effected by noises, the following measures must be taken:

- Provide surge suppressors for devices that generate many noises to suppress noises.
- Fit data line filters (refer to page 40) to signal cables.
- Earth (Ground) the shields of the detector connection and control signal cables with cable clamp metal.

3) Techniques to reduce noises that are radiated by the inverter to malfunction peripheral devices.

Inverter-generated noises are largely classified into those radiated by the cables connected to the inverter and inverter main circuit (I/O), those electromagnetically and electrostatically inducted to the signal cables of the peripheral devices close to the main circuit power supply, and those transmitted through the power supply cables.

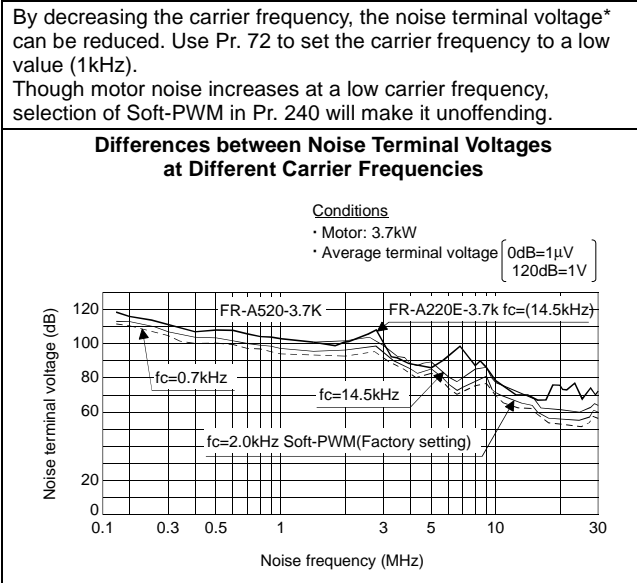


Noise Path	Measures
1) 2) 3)	<p>When devices that handle low-level signals and are liable to malfunction due to noises, e.g. instruments, receivers and sensors, are contained in the enclosure that contains the inverter or when their signal cables are run near the inverter, the devices may be malfunctioned by air-propagated noises. The following measures must be taken:</p> <ol style="list-style-type: none"> (1) Install easily affected devices as far away as possible from the inverter. (2) Run easily affected signal cables as far away as possible from the inverter. (3) Do not run the signal cables and power cables (inverter I/O cables) in parallel with each other and do not bundle them. (4) Inset line noise filters into I/O and radio noise filters into input side to suppress cable-radiated noises. (5) Use shielded cables for signal cables and power cables and run them in individual metal conduits to produce further effects.
4) 5) 6)	<p>When the signal cables are run in parallel with or bundled with the power cables, magnetic and static induction noises may be propagated to the signal cables to malfunction the devices and the following measures must be taken:</p> <ol style="list-style-type: none"> (1) Install easily affected devices as far away as possible from the inverter. (2) Run easily affected signal cables as far away as possible from the inverter. (3) Do not run the signal cables and power cables (inverter I/O cables) in parallel with each other and do not bundle them. (4) Use shielded cables for signal cables and power cables and run them in individual metal conduits to reduce further effects.
7)	<p>When the power supplies of the peripheral devices are connected to the power supply of the inverter in the same line, inverter-generated noises may flow back through the power supply cables to misoperate the devices and the following measures must be taken:</p> <ol style="list-style-type: none"> (1) Install the radio noise filter (FR-BIF) to the power cables (input cables) of the inverter. (2) Install the line noise filter (FR-BLF, FR-BSF01) to the power cables (I/O cables) of the inverter.
8)	<p>When a closed loop circuit is formed by connecting the peripheral device wiring to the inverter, leakage currents may flow through the earth (ground) cable of the inverter to malfunction the device. In such a case, disconnection of the earth (ground) cable of the device may cause the device to operate properly.</p>

• **Data line filter**

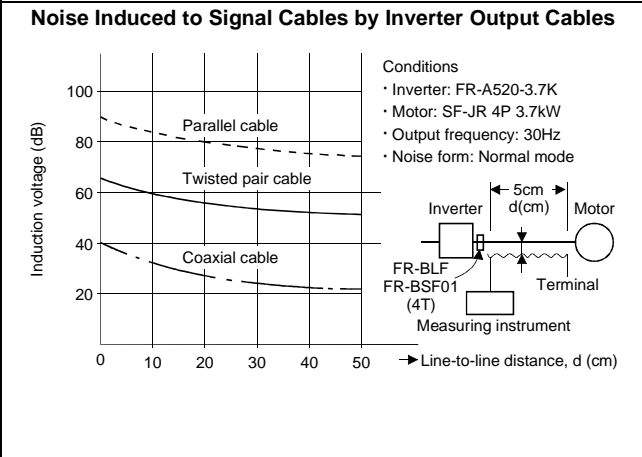
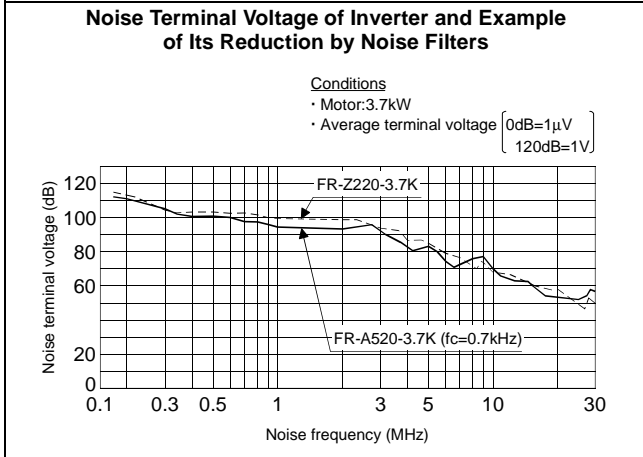
Noise entry can be prevented by providing a data line filter for the detector cable etc.

• **Data examples**



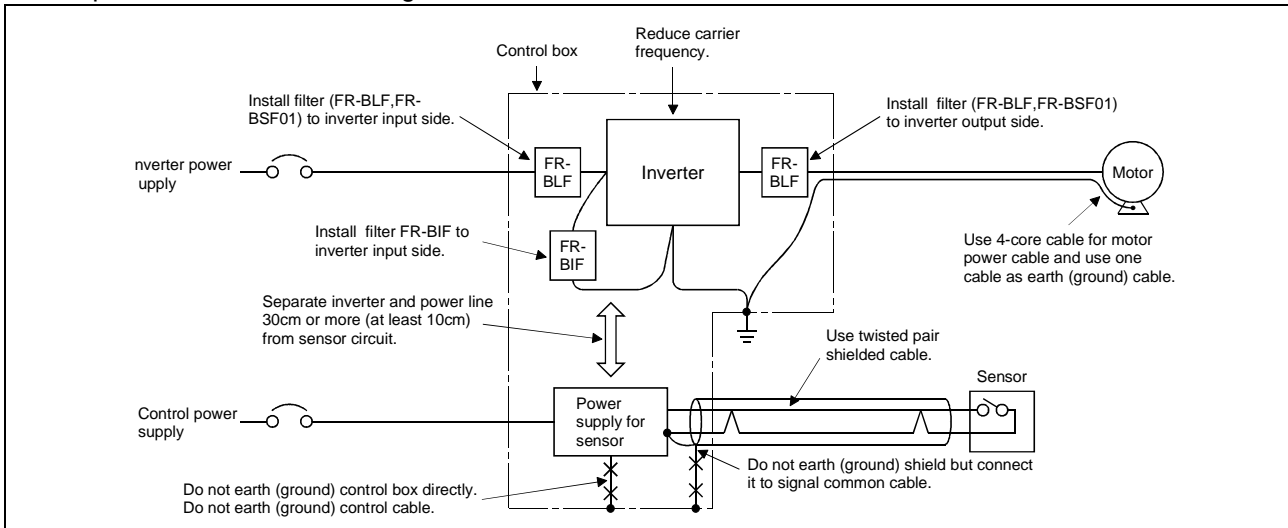
By decreasing the carrier frequency, noise will be about as low as that of our conventional FR-Z200 series.

By using shielded cables as signal cables, induction noise can be reduced greatly (to 1/10 - 1/100). Induction noise can also be reduced by moving the signal cables away from the inverter output cables. (Separation of 30cm reduces noise to 1/2-1/3.)
By fitting the FR-BSF01 or BLF on the inverter output side, induction noise to the signal cables can be reduced.



*Noise terminal voltage: Represents the magnitude of noise propagated from the inverter to the power supply.

• **Example of counter measures against noise**



2.3.4 Leakage currents and countermeasures

Leakage currents flow through static capacitances existing in the inverter I/O wiring and motor. Since their values depend on the static capacitances, carrier frequency, etc., take the following measures.

(1) To-earth (ground) leakage currents

Leakage currents may flow not only into the inverter's own line but also into the other line through the earth (ground) cable, etc. These leakage currents may operate earth (ground) leakage circuit breakers and earth (ground) leakage relays unnecessarily.

• **Countermeasures**

- Decrease the carrier frequency (Pr. 72) of the inverter.
Note that motor noise increases. Selection of Soft-PWM (Pr. 240) will make it unoffending.
- By using earth(ground) leakage circuit breakers designed for harmonic and surge suppression in the inverter's own line and other line, operation can be performed with the carrier frequency kept high (with low noise).

• **To-earth (ground) leakage current**

- Note that a long wiring length will increase leakage currents. Decrease the carrier frequency of the inverter to reduce leakage currents.
- Higher motor capacity leads to larger leakage currents. Larger leakage currents occur in 400V class than in 200V class.

(2) Line-to-line leakage currents

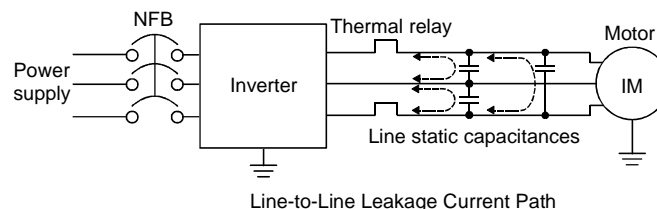
Harmonics of leakage currents flowing in static capacities between the inverter output cables may operate the external thermal relay unnecessarily. When the wiring length is long (50m or more) for the 400V class small-capacity model (7.5kW or less), the external thermal relay is likely to operate unnecessarily because the ratio of the leakage current to the rated motor current increases.

• **Line-to-Line Leakage Current Data Example (200V class)**

Motor Capacity (kW)	Rated Motor Current (A)	Leakage Current (mA)	
		Wiring length 50m	Wiring length 100m
0.4	1.8	310	500
0.75	3.2	340	530
1.5	5.8	370	560
2.2	8.1	400	590
3.7	12.8	440	630
5.5	19.4	490	680
7.5	25.6	535	725

Motor: SF-JR 4P
Carrier frequency: 14.5kHz
Cable used: 2mm² 4-core cable

* Leakage current of the 400V class is about twice larger.



• **Countermeasures**

- Use the electronic overcurrent protection (Pr. 9) of the inverter.
 - Decrease the carrier frequency. Note that motor noise increases. Selection of Soft-PWM (Pr. 240) will make it unoffending.
- To ensure that the motor is protected against line-to-line leakage currents, it is recommended to use a temperature sensor to directly detect motor temperature.

2.3.5 Inverter-driven 400V class motor

In the PWM type inverter, a surge voltage attributable to wiring constants is generated at the motor terminals. Especially for a 400V class motor, the surge voltage may deteriorate the insulation. When the 400V class motor is driven by the inverter, consider the following measures.

- Measures

It is recommended to take either of the following measures:

(1) Rectifying the motor insulation

For the 400V class motor, use an insulation-rectified motor. Specifically,

- 1) Specify the "400V class inverter-driven, insulation-rectified motor".
- 2) For the dedicated motor such as the constant-torque motor and low-vibration motor, use the "inverter-driven, dedicated motor".

Note: If the wiring length between the motor and inverter is 40m or longer, set Pr. 240 to long wiring mode in addition to the above measures to operate the inverter. (Refer to page 106 for Pr. 240 "soft-PWM setting".)
--

(2) Suppressing the surge voltage on the inverter side

On the secondary side of the inverter, connect the optional surge voltage suppression filter (FR-ASF-H).

2.3.6 Peripheral devices

(1) Selection of peripheral devices

Check the capacity of the motor to be used with the inverter you purchased. Appropriate peripheral devices must be selected according to the capacity.

Refer to the following list and prepare appropriate peripheral devices:

1) 200V class

Inverter Type	Motor Output (kW)	Power Supply Capacity (kVA)	No-fuse Breaker (NFB) or Earth (ground) Leakage Breaker (ELB) (Note 1)		Magnetic Contactor
			Standard	With power factor improving reactor	
FR-A520-0.4K	0.4	1.5	30AF 5A	30AF 5A	S-N10
FR-A520-0.75K	0.75	2.5	30AF 10A	30AF 10A	S-N10
FR-A520-1.5K	1.5	4.5	30AF 15A	30AF 15A	S-N10
FR-A520-2.2K	2.2	5.5	30AF 20A	30AF 15A	S-N10
FR-A520-3.7K	3.7	9	30AF 30A	30AF 30A	S-N20, N21
FR-A520-5.5K	5.5	12	50AF 50A	50AF 40A	S-N25
FR-A520-7.5K	7.5	17	100AF 60A	50AF 50A	S-N35
FR-A520-11K	11	20	100AF 75A	100AF 75A	S-N50
FR-A520-15K	15	28	225AF 125A	100AF 100A	S-N65
FR-A520-18.5K	18.5	34	225AF 150A	225AF 125A	S-N80
FR-A520-22K	22	41	225AF 175A	225AF 150A	S-N95
FR-A520-30K	30	52	225AF 225A	225AF 175A	S-N125
FR-A520-37K	37	66	400AF 250A	225AF 225A	S-N150
FR-A520-45K	45	80	400AF 300A	400AF 300A	S-N180
FR-A520-55K	55	100	400AF 400A	400AF 350A	S-N220

2) 400V class

Inverter Type	Motor Output (kW)	Power Supply Capacity (kVA)	No-fuse Breaker (NFB) or Earth (ground) Leakage Breaker (ELB) (Note 1)		Magnetic Contactor
			Standard	With power factor improving reactor	
FR-A540-0.4K	0.4	1.5	30AF 5A	30AF 5A	S-N10
FR-A540-0.75K	0.75	2.5	30AF 5A	30AF 5A	S-N10
FR-A540-1.5K	1.5	4.5	30AF 10A	30AF 10A	S-N10
FR-A540-2.2K	2.2	5.5	30AF 15A	30AF 10A	S-N10
FR-A540-3.7K	3.7	9	30AF 20A	30AF 15A	S-N20, N21
FR-A540-5.5K	5.5	12	30AF 30A	30AF 20A	S-N20, N21
FR-A540-7.5K	7.5	17	30AF 30A	30AF 30A	S-N20, N21
FR-A540-11K	11	20	50AF 50A	50AF 40A	S-N20 (N25) (Note2)
FR-A540-15K	15	28	100AF 60A	50AF 50A	S-N25 (N35) (Note2)
FR-A540-18.5K	18.5	34	100AF 75A	100AF 60A	S-N35 (N50) (Note2)
FR-A540-22K	22	41	100AF 100A	100AF 75A	S-N50
FR-A540-30K	30	52	225AF 125A	100AF 100A	S-N65
FR-A540-37K	37	66	225AF 150A	225AF 125A	S-N80
FR-A540-45K	45	80	225AF 175A	225AF 150A	S-N80 (N95) (Note2)
FR-A540-55K	55	100	225AF 200A	225AF 175A	S-N125

Note: 1. Select the NFB according to the inverter capacity (motor capacity.)

For installations in the United States or Canada, the circuit breaker must be inverse time or instantaneous trip type.

When the breaker on the primary side of the inverter tripped, check for wiring fault (e.g. short circuit), damage to internal parts of the inverter, etc. Identify the cause of the breaker trip, then power on the breaker after removing the cause of the trip.

2. Select the electromagnetic switch in parenthesis when using it for emergency stop while driving a motor.

(2) Selection of the rated sensitivity current for the earth (ground) leakage circuit breaker

When using the earth (ground) leakage circuit breaker with the inverter circuit, select its rated sensitivity current as follows, independent of the carrier frequency setting:

- Breaker for harmonic and surge:
Rated sensitivity current:
 $\Delta n \geq 10 \times (I_{g1} + I_{gn} + I_{g2} + I_{gm})$

- Standard breakers:
Rated sensitivity current:
 $\Delta n \geq 10 \times \{I_{g1} + I_{gn} + 3 (I_{g2} + I_{gm})\}$

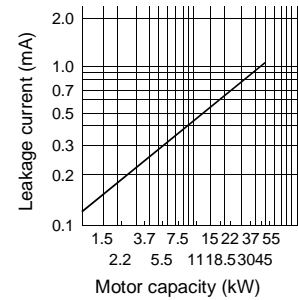
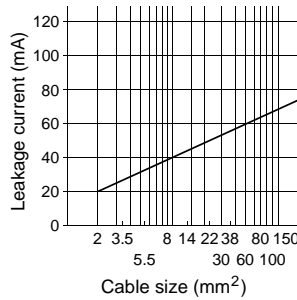
I_{g1}, I_{g2} : leakage currents of cable path during commercial power supply operation

I_{gn} *: leakage current of noise filter on inverter input side

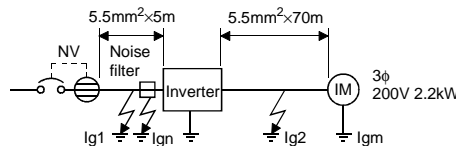
I_{gm} : leakage current of motor during commercial power supply operation

Example of leakage current per 1km in cable path during commercial power supply operation when the CV cable is routed in metal conduit (200V 60Hz)

Leakage current example of 3-phase induction motor during commercial power supply operation (200V 60Hz)



<Example>



- Note:
1. The NV should be installed to the primary (power supply) side of the inverter.
 2. Earth (Ground) fault in the secondary side of the inverter can be detected at the running frequency of 120Hz or lower.
 3. In the Δ connection neutral point earthing (grounding) system, the sensitivity current is purified against an earth (ground) fault on the inverter secondary side. Earthing (grounding) must be conform to the requirements of national and local safety regulations and electrical code. (JIS, NEC section 250, IEC 536 class 1 and other applicable standards)
 4. When the breaker is installed on the secondary side of the inverter, it may be unnecessarily operated by harmonics if the effective value is less than the rating. In this case, do not install the breaker since the eddy current and hysteresis loss increase, leading to temperature rises.
 5. The following models are standard breakers. BV-C1, BC-V, NVB, NV-L, NV-G2N, NV-G3NA, and NV-2F type, leakage current relays (except for NV-ZHA), NV with AA neutral wire open-phase protection

	Breaker for harmonic and surge	Standard breakers
Leakage current I_{g1} (mA)	$33 \times \frac{5m}{1000m} = 0.17$	
Leakage current I_{gn} (mA)	0 (without noise filter)	
Leakage current I_{g2} (mA)	$33 \times \frac{70m}{1000m} = 2.31$	
Motor leakage current I_{gm} (mA)		0.18
Total leakage current (mA)	2.66	7.64
Rated sensitivity current (mA) ($\geq I_g \times 10$)	30	100

The following models are breakers for harmonic and surge. NV-C/NV-S/MN series, NV30-FA, NV50-FA, BV-C2, leakage current alarm breaker (NF-Z), NV-ZHA, NV-H

* Be careful of the leakage current value of the noise filter installed on the inverter input side. (Refer to the FR-A500 catalog for details of Mitsubishi inverter dedicated filter.)

(3) Power-off and magnetic contactor (MC)

On the inverter primary side, it is recommended to provide an MC for the following purposes (Refer to page 46 for selection.):

1) To release the inverter from the power supply when the inverter protective function is activated or the drive becomes faulty (e.g. emergency stop operation).

When cycle operation or heavy-duty operation is performed with an optional brake resistor connected, overheat and burnout of the electrical-discharge resistor can be prevented if a regenerative brake transistor is damaged due to insufficient heat capacity of the electrical-discharge resistor and excess regenerative brake duty.

2) To prevent an accident due to an automatic restart made at power restoration after an inverter stop made by a power failure.

3) To rest the inverter for an extended period of time.

The control power supply for inverter is always running and consumes a little power. When stopping the inverter for an extended period of time, powering off the inverter will save power slightly.

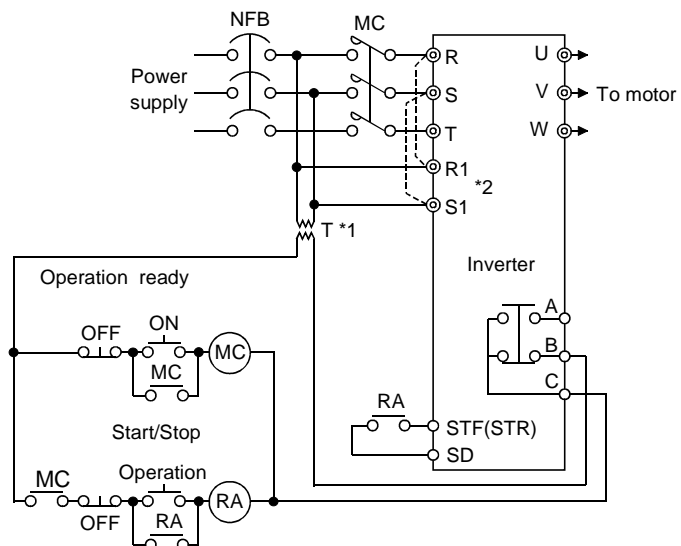
4) To separate the inverter from the power supply to ensure safe maintenance and inspection work.

As the inverter's primary MC is used for the above purposes, select the one of class JEM1038-AC3 for the inverter input side current when making an emergency stop during normal operation.

Note: The MC may be switched on/off to start/stop the inverter. However, since repeated inrush currents at power-on will shorten the life of the converter circuit (switching life is about 100,000 times), frequent starts and stops must be avoided. Turn on/off the inverter start controlling terminals (STF, STR) to run/stop the inverter.

●Circuit example of start/stop of the inverter.

As shown on the right, always use the start signal (ON or OFF across terminals STF or STR-SD) to make a start or stop. (Refer to page 13.)



REMARKS

*1. For the 400V class power supply, install a voltage-reducing transformer.

*2. Connect the power supply terminals R1 and S1 to the primary side of the MC to hold an alarm signal when the inverter's protective circuit is activated. At this time, remove jumpers across terminals R-R1 and S-S1. (For removal of jumpers, refer to page 20)

2.3.7 Instructions for compliance with U.S. and Canadian Electrical Codes

(Standard to comply with: UL 508C)

(1) Installation

The FR-A500 is UL-listed as a product for use in an enclosure.

Design an enclosure so that the ambient temperature, humidity and ambience of the inverter will satisfy the specifications. (Refer to page 223.)

(2) About wiring protection

When installing the inverter in the United States of America, protect its branch cables in accordance with the National Electrical Code and local standards.

When installing the inverter in Canada, protect its branch cables in accordance with the National Electrical Code and the corresponding State Standards.

(3) Short circuit ratings

● 200V class

Suitable For Use in A Circuit Capable of Delivering Not More Than 5 or 10kA rms Symmetrical Amperes, 230 or 500 Volts Maximum.

● 400V class

Suitable For Use in A Circuit Capable of Delivering Not More Than 10kA rms Symmetrical Amperes, 500 Volts Maximum.

(4) Wiring of the power supply and motor

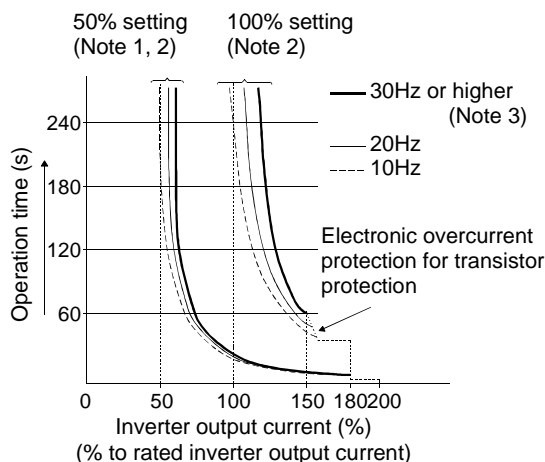
For wiring the input (R, S, T) and output (U, V, W) terminals of the inverter, use the UL-recognized copper wires (rated at 75°C) and round crimping terminals. To crimp the crimping terminals, use the crimping tool recommended by the terminal maker.

(5) Motor overload protection

When using the electronic overcurrent protection function as motor overload protection, set the rated motor current in Pr. 9 "electronic thermal O/L relay".

When connecting two or more motors to the inverter, install external thermal relays for individual motors.

Reference: Motor overload protection characteristics



- Protection activating range
Range on the right of characteristic curve
- Normal operating range
Range on the left of characteristic curve

(Note 1) When you set the 50% value (current value) of the rated inverter output current.

(Note 2) The % value denotes the percentage of the current value to the rated inverter output current, not to the rated motor current.

(Note 3) This characteristic curve will be described even under operation of 6Hz or higher when you set the electronic overcurrent protection dedicated to the Mitsubishi constant-torque motor.

2.3.8 Instructions for compliance with the European Directives

(The products conforming to the Low Voltage Directive carry the CE mark.)

(1) EMC Directive

1) Our view of transistorized inverters for the EMC Directive

A transistorized inverter is a component designed for installation in a control box and for use with the other equipment to control the equipment/device. Therefore, we understand that the EMC Directive does not apply directly to transistorized inverters. For this reason, we do not place the CE mark on the transistorized inverters. (The CE mark is placed on inverters in accordance with the Low Voltage Directive.) The European power drive manufacturers' organization (CEMEP) also holds this point of view.

2) Compliance

We understand that the transistorized inverters are not covered directly by the EMC Directive. However, the EMC Directive applies to machines/equipment into which transistorized inverters have been incorporated, and these machines and equipment must carry the CE marks. Hence, we prepared the European Standard-compliant noise filters and the technical information "EMC Installation Guidelines" (information number BCN-A21041-202) so that machines and equipment incorporating transistorized inverters may conform to the EMC Directive more easily.

3) Excerpts from the installation method

It is recommended to mainly use the following methods to install an inverter:

- * Use the inverter with an European Standard-compliant noise filter.
- * For wiring between the inverter and motor, use shielded cables or run them in a metal piping and earth (ground) the cables on the inverter and motor sides with the shortest possible distance.
- * Insert a line noise filter and ferrite core into the power and control lines as required.

Full information including the European Standard-compliant noise filter specifications are written in the technical information "EMC Installation Guidelines" (information number BCN-A21041-202).

Please contact your sales representative.

(2) Low Voltage Directive

1) Our view of transistorized inverters for the Low Voltage Directive

Transistorized inverters are covered by the Low Voltage Directive (compliant with Standard DIN VDE0160).

2) Compliance

We have self-declared our inverters as products compliant to the Low Voltage Directive and place the CE mark on the inverters.

3) Excerpts from instructions

- * In the 400V class inverters, the rated input voltage range is three-phase, 380V to 415V, 50Hz/60Hz.
- * Connect the equipment to the earth securely. Do not use an earth (ground) leakage circuit breaker as an electric shock protector without connecting the equipment to the earth.
- * Wire the earth terminal independently. (Do not connect two or more cables to one terminal.)
- * The wire size on pages 16 and 19 are shown for following conditions.
 - Ambient Temperature:40°C maximum
 - Wire installation:On wall without ducts or conduits
 If conditions are different from above, select appropriate wire according to EN60204 ANNEX C.
- * Use the no-fuse breaker and magnetic contactor that conform to the EN or IEC Standard.
- * Use the breaker of type B (breaker that can detect both AC and DC). If not, provide double or enhanced insulation between the inverter and other equipment, or put a transformer between the main power supply and inverter.
- * Use the inverter under the conditions of overvoltage category II and contamination level 2 or less set forth in IEC664.
 - (a) To meet the overvoltage category II, insert an EN or IEC standard-compliant insulating transformer or surge suppressor in the input of the inverter.
 - (b) To meet the contamination level 2, install the inverter in a control box protected against ingress of water, oil, carbon, dust, etc. (IP54 or higher).
- * In the input and output of the inverter, use cables of the type and size set forth in EN60204 Appendix C.
- * The operating capacity of the relay outputs (terminal symbols A, B, C) should be 30VDC, 0.3A. (The relay outputs are basically isolated from the inverter internal circuitry.)
- * The terminals indicated as the control circuit input and output terminals on page 12 are isolated safely from the main circuit.

* Environment

	During operation	In storage	During transportation
Ambient Temperature	-10°C to +50°C	-20°C to +65°C	-20°C to +65°C
Ambient Humidity	90% RH or less	90% RH or less	90% RH or less
Maximum Altitude	1,000 m	1,000 m	10,000 m

Details are given in the technical information "Low Voltage Directive Conformance Guide" (information number BCN-A21041-203). Please contact your sales representative.

CHAPTER 3

OPERATION/CONTROL

This chapter explains the basic "operation/control" for use of this product.

Always read the instructions and other information before using the equipment.

3.1 Pre-Operation Information	50
3.2 Operation Panel	53
3.3 Operation.....	59

Chapter 1

Chapter 2

Chapter 3

Chapter 4

Chapter 5

Chapter 6

Chapter 7

Chapter 8

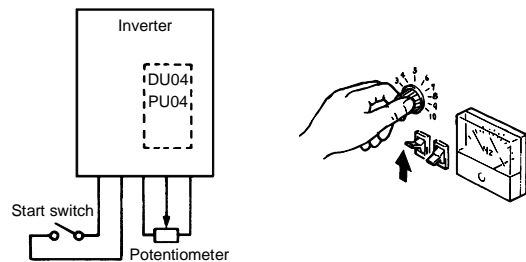
3.1 Pre-Operation Information

3.1.1 Devices and parts to be prepared for operation

The inverter can be operated in any of the "external operation mode", "PU operation mode", "combined operation mode" and "communication operation mode". Prepare required instruments and parts according to the operation mode.

(1) External operation mode (factory setting)

The inverter is operated under the control of external operation signals (frequency setting potentiometer, start switch, etc.) connected to the terminal block. With input power on, switch on the start signal (STF, STR) to start operation.



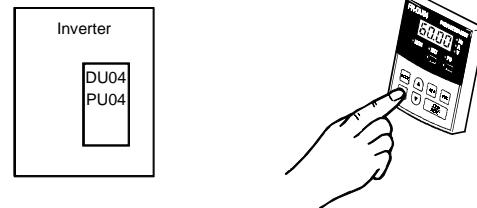
Preparation

- Start signal..... Switch, relay, etc.
- Frequency setting signal..... 0 to 5V, 0 to 10V or 4 to 20mADC signals or multiple speeds from a potentiometer or outside the inverter

Note: Both the start signal and frequency setting signal are required to run the inverter.

(2) PU operation mode

The inverter is operated from the keypad of the PU (FR-DU04/FR-PU04). This mode does not require the operation signals to be connected and is useful for an immediate start of operation.



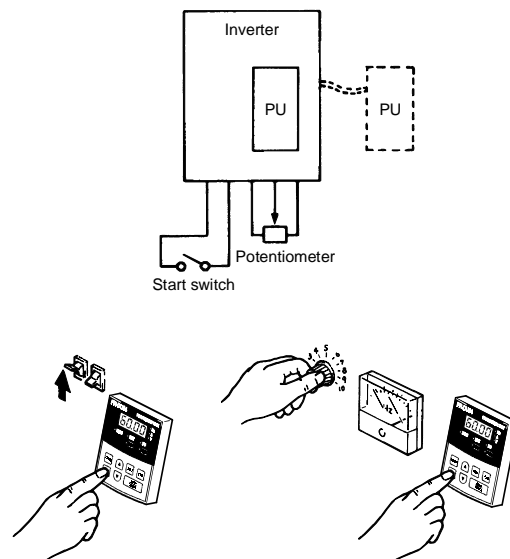
Preparation

- Operation unit..... Operation panel (FR-DU04), parameter unit (FR-PU04)
- Connection cable..... To be prepared for use of the operation unit away from the inverter.
FR-CB2□□ (option) or the following connector and cable available on the market:
Connector : RJ45 connector
Cable : Cable conforming to EIA568 (e.g. 10BASE-T cable)

(3) External/PU combined operation mode

The inverter is operated with the external operation and PU operation modes combined in any of the following ways:

- 1) The start signal is set with the external signal and the frequency setting signal set from the PU.
- 2) The start signal is set with the run command key of the PU (FR-DU04/FR-PU04) and the frequency setting signal set with the external frequency setting potentiometer.



Preparation

- Start signal..... Switch, relay, etc. (for 1)
- Frequency setting signal..... 0 to 5V, 0 to 10V or 4 to 20mA DC signals from a potentiometer or outside the inverter (for 2)
- Operation unit..... Operation panel (FR-DU04), parameter unit (FR-PU04)
- Connection cable..... To be prepared for use of the operation unit away from the inverter
FR-CB2□□ (option) or the following connector and cable available on the market:
Connector : RJ45 connector
Cable : Cable conforming to EIA568 (e.g. 10BASE-T cable)

3) Combined operation mode

Change the setting of Pr. 79 "operation mode selection" as follows:

Setting	Description	
	Running frequency setting	Start signal
3	PU (FR-DU04/FR-PU04) •Direct setting and ▲ / ▼ key setting, Multi-speed setting	Terminal signal •STF •STR
4	Terminal signal •0 to 5VDC across 2-5 •0 to 10VDC across 2-5 •4 to 20mADC across 4-5 •Multi-speed selection (Pr. 4 to Pr. 6, Pr. 24 to Pr. 27, Pr. 232 to Pr. 239) •Jog frequency (Pr. 15)	Parameter unit • FWD key • REV key

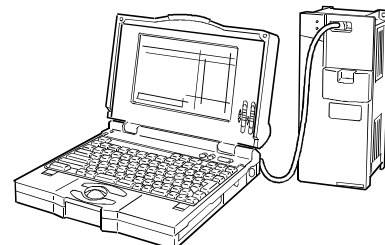
(4) Communication operation mode

Communication operation can be performed by connecting a personal computer and the PU connector with the RS-485 communication cable.

The inverter setup software (FR-SW□-SETUP-WE (or - WJ for Japanese Version)) is available as a start-up support software package for the FR-A500.

Preparation

- Connection cable..... Connectors and cables available on the market
 - Connector: RJ45 connector
 - Cable: Cable conforming to EIA568 (e.g. 10BASE-T cable)
- For the operation environment of inverter setup software, refer to the instruction manual of the inverter setup software.



3.1.2 Power on

Before switching power on, check the following.

● Installation check

Make sure that the inverter is installed correctly in a proper location. (Refer to page 10.)

•Wiring check

Make sure that the main and control circuits are wired correctly.

Make sure that the options and peripheral devices are selected and connected correctly.

(Refer to page 12.)

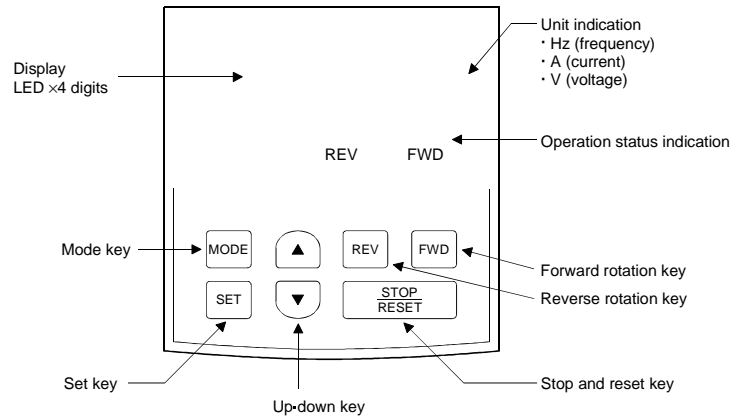
● Switch power on.

Power-on is complete when the POWER lamp is lit correctly and the operation panel (FR-DU04) displays correct data.

3.2 Operation Panel

With the operation panel (FR-DU04), you can set the running frequency, monitor the operation command display, set parameters, display an error, and copy parameters.

3.2.1 Names and functions of the operation panel (FR-DU04)



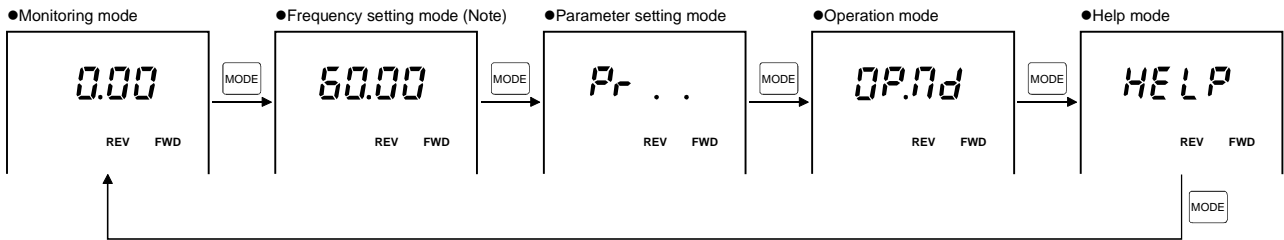
•Key indications

Key	Description
MODE key	You can select the operation mode or setting mode.
SET key	You can determine the frequency and parameter setting.
Up-down key	<ul style="list-style-type: none"> Used to increase or decrease the running frequency consecutively. Hold down this key to change the frequency. Press this key in the setting mode to change the parameter setting consecutively.
FWD key	Used to give a forward rotation command.
REV key	Used to give a reverse rotation command.
STOP/RESET key	<ul style="list-style-type: none"> Used to stop operation. Used to reset the inverter when its output is stopped by the protective function activated (major fault).

•Unit indications, operating status indications

Indication	Description
Hz	Lit to indicate the frequency.
A	Lit to indicate the current.
V	Lit to indicate the voltage.
MON	Lit in the monitor display mode.
PU	Lit in the PU operation mode.
EXT	Lit in the external operation mode.
FWD	Flickers to indicate forward rotation.
REV	Flickers to indicate reverse rotation.

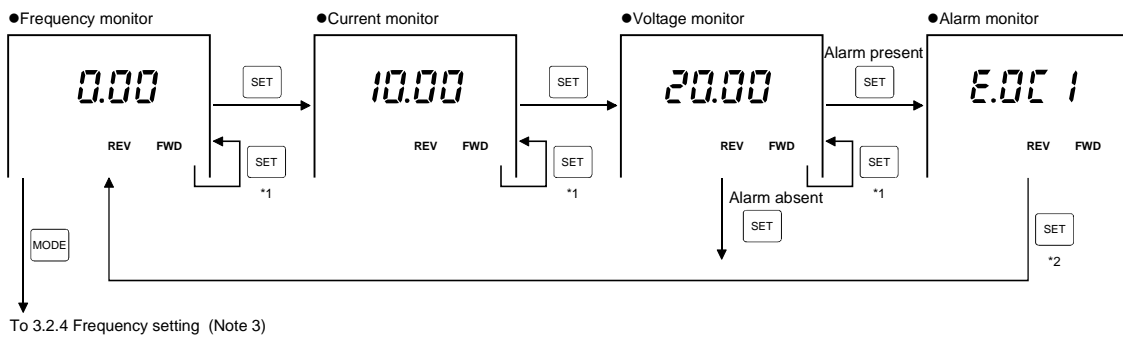
3.2.2 Monitor display changed by pressing the **MODE** key



Note: The frequency setting mode is displayed only in the PU operation mode.

3.2.3 Monitoring

- Operation command indications in the monitoring
EXT is lit to indicate external operation.
PU is lit to indicate PU operation.
Both EXT and PU are lit to indicate PU/external combined operation mode.
- The monitor display can also be changed during operation.

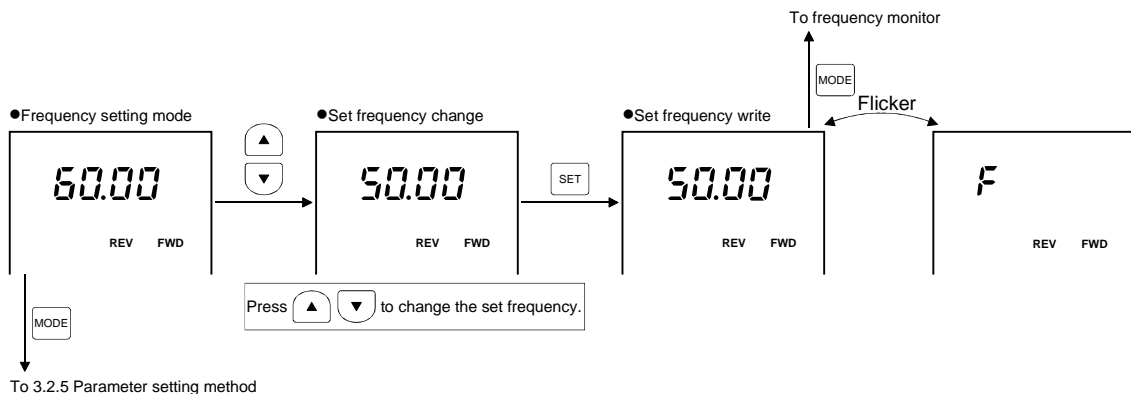


To 3.2.4 Frequency setting (Note 3)

Note: 1. Hold down the **SET** key marked *1 for more than 1.5s to change the current monitor to the power-on monitor.
2. Hold down the **SET** key marked *2 for more than 1.5s to display four errors including the most recent one.
3. Shifts to the parameter setting mode when in the external operation mode.

3.2.4 Frequency setting

- Used to set the running frequency in the PU operation mode.

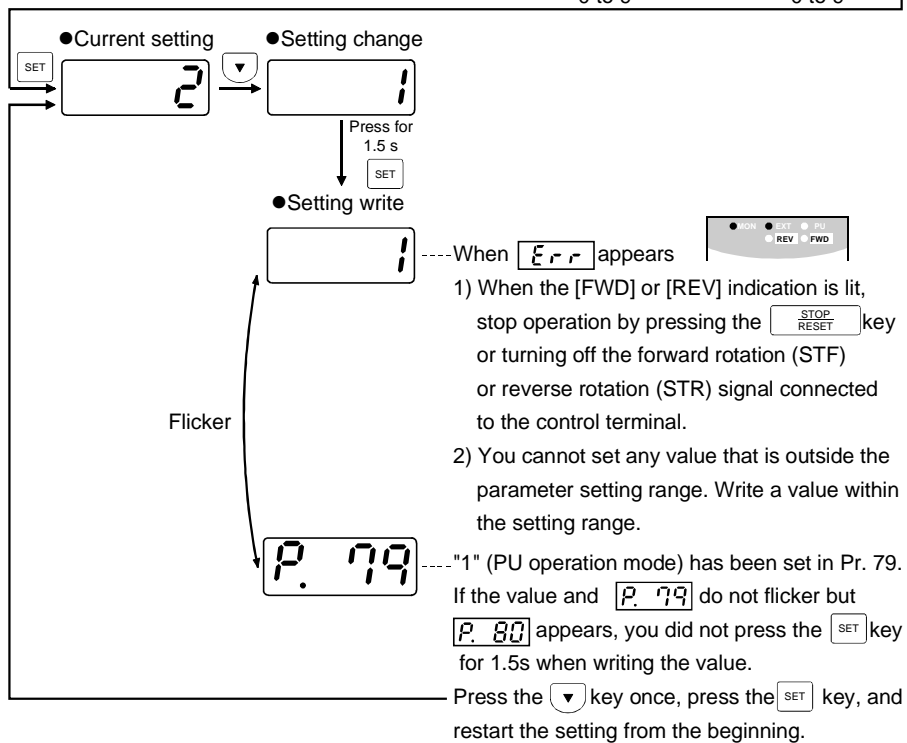
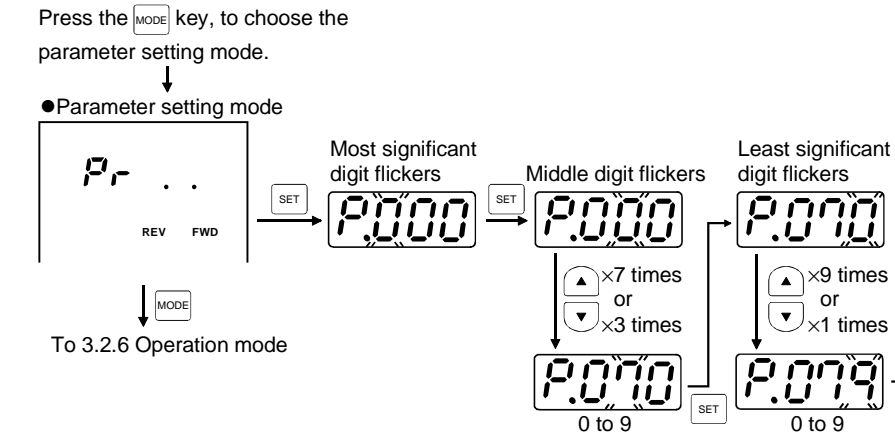


To 3.2.5 Parameter setting method

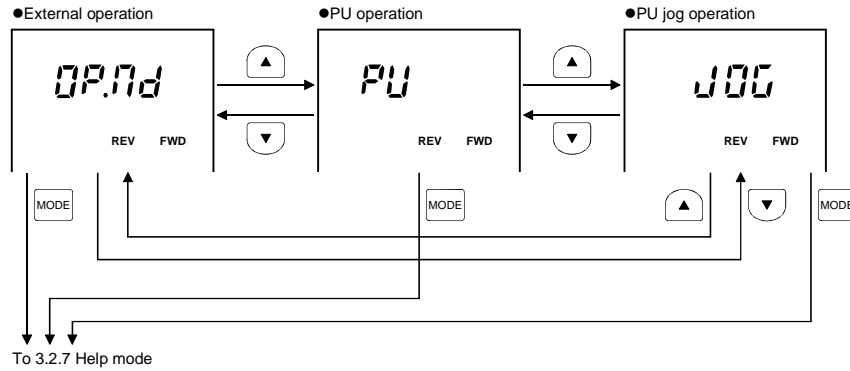
3.2.5 Parameter setting method

- A parameter value may either be set by updating its parameter number or setting the value digit-by-digit using the / key.
- To write the setting, change it and press the key 1.5s.

Example: To change the Pr. 79 "operation mode selection" setting from "2" (external operation mode) to "1" (PU operation mode)
 (For details of Pr. 79, refer to page 113.)

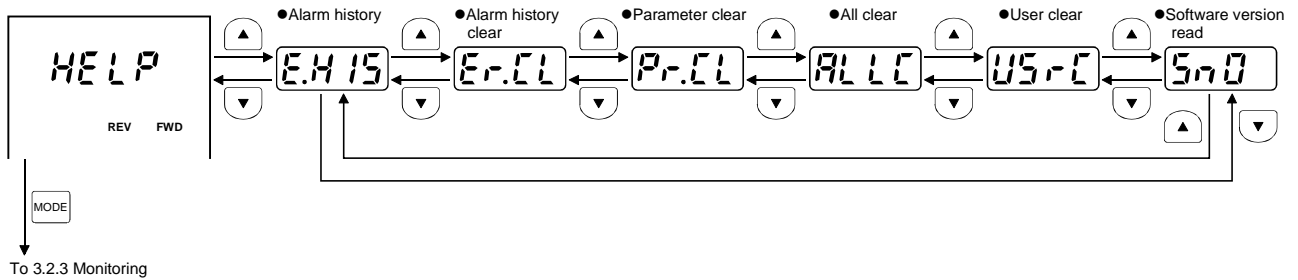


3.2.6 Operation mode



Note: If the operation mode cannot be changed, refer to page 205.

3.2.7 Help mode

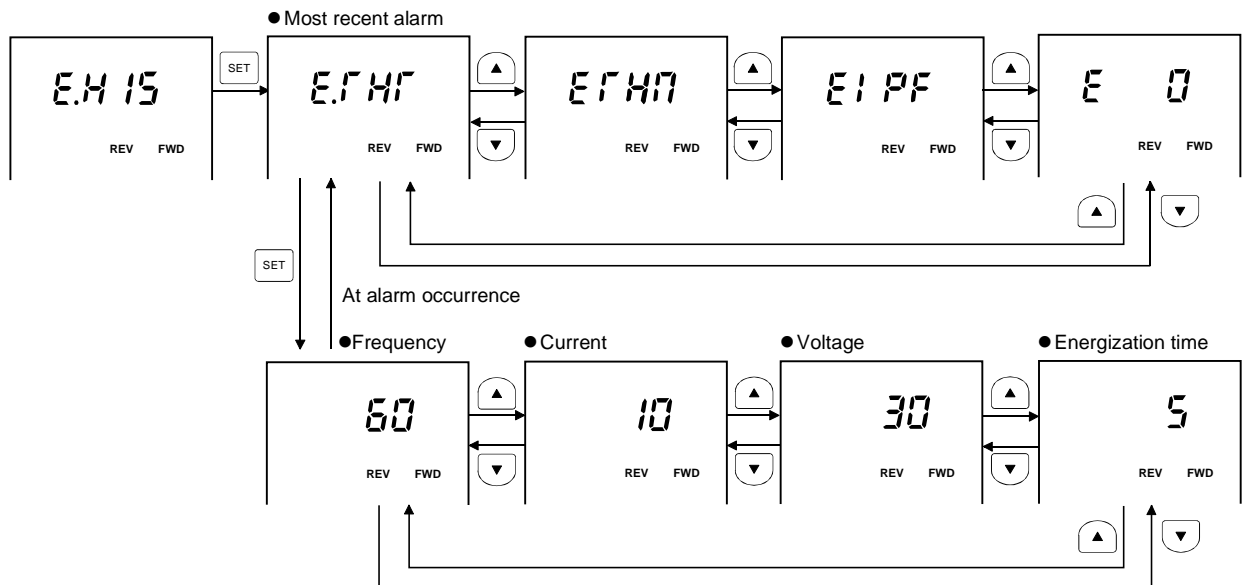


(1) Alarm history

Four past alarms can be displayed with the \uparrow/\downarrow key.

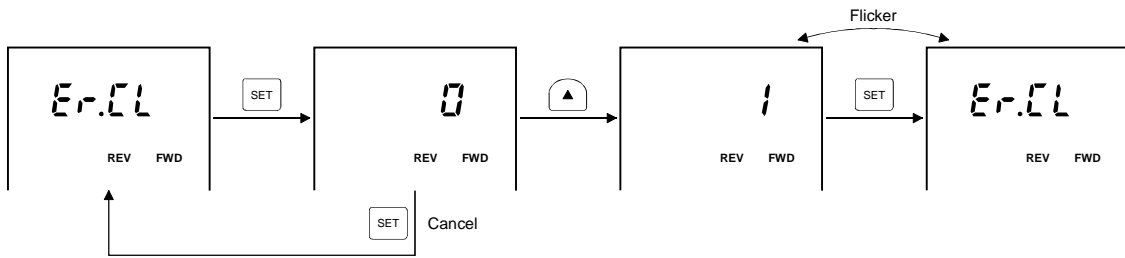
("." is appended to the most recent alarm.)

When no alarm exists, E.__0 is displayed.



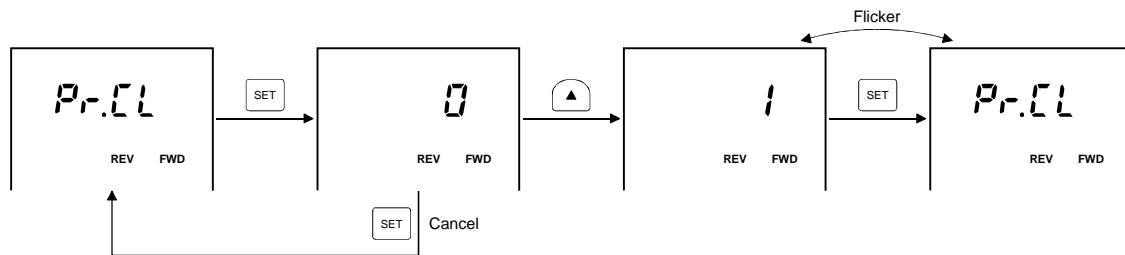
(2) Alarm history clear

Clears all alarm history.



(3) Parameter clear

Initialises the parameter values to the factory settings. The calibration values are not initialized. (Parameter values are not cleared by setting "1" in Pr. 77 "parameter write disable selection".)

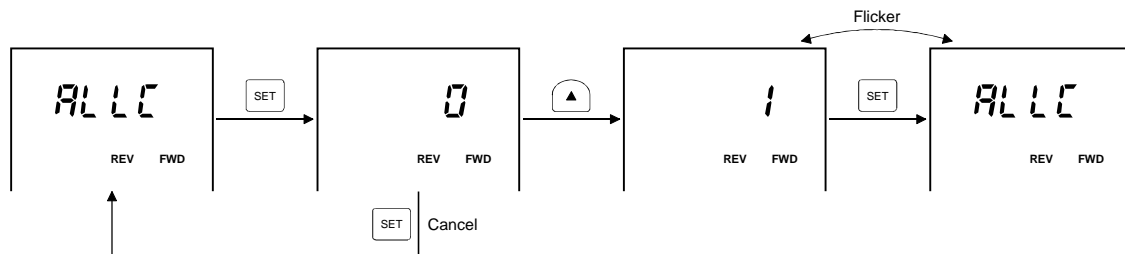


REMARKS

The Pr. 75, Pr. 180 to Pr. 186, Pr. 190 to Pr. 195, and Pr. 900 to Pr. 905 values are not initialized.

(4) All clear

Initialises the parameter values and calibration values to the factory settings.

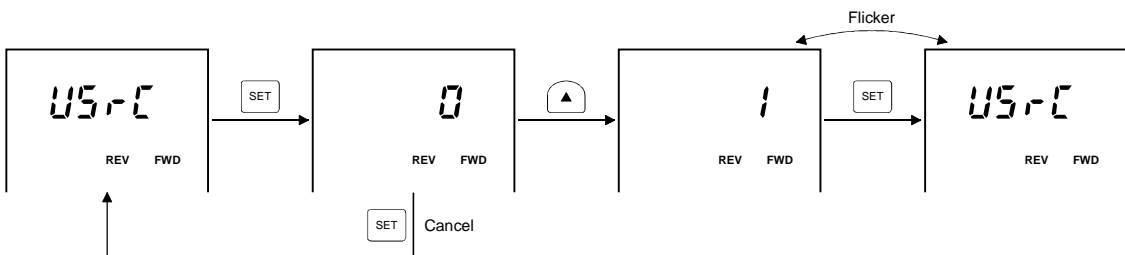


REMARKS

The Pr. 75 value is not initialized.

(5) User clear

Initialises the user-set parameters. The other parameters are initialized to the factory settings.



REMARKS

The Pr. 75, Pr. 180 to Pr. 186, and Pr. 190 to Pr. 195 values are not initialized.

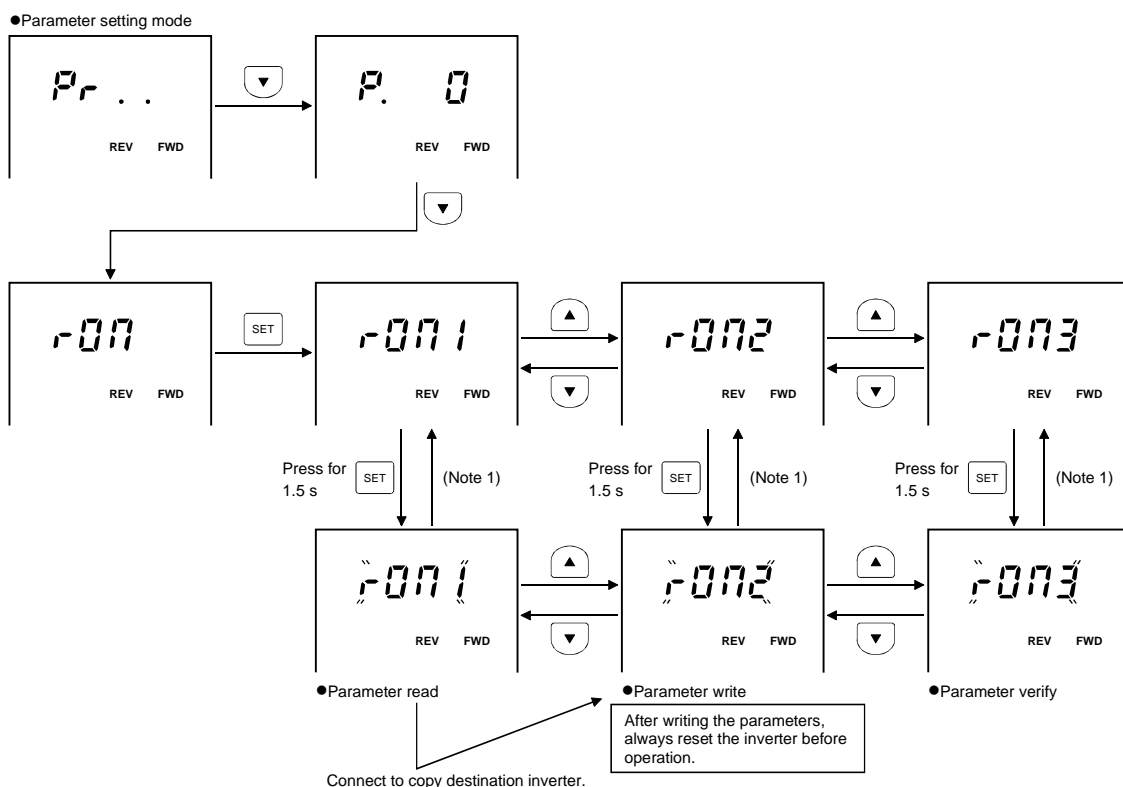
3.2.8 Copy mode

By using the operation panel (FR-DU04), the parameter values can be copied to another inverter (only the FR-A500 series).

1) Operation procedure

After reading the parameter values from the copy source inverter, connect the operation panel to the copy destination inverter, and write the parameter values.

After writing the parameters to the inverter of copy destination, always reset the inverter, e.g. switch power off once, before starting operation.



- Note: 1. While the copy function is being activated, the monitor display flickers. The display returns to the lit-up state on completion of the copy function.
2. If a read error occurs during parameter read, "read error (E.rE1)" is displayed.
3. If a write error occurs during parameter write, "write error (E.rE2)" is displayed.
4. If a data discrepancy occurs during parameter verify, the corresponding parameter number and "verify error (E.rE3)" are displayed alternately. If the direct frequency setting or jog frequency setting is discrepant, "verify error (E.rE3)" flickers. To ignore this display and continue verify, press the key.
5. When the copy destination inverter is not the FR-A500 series, "model error (E.rE4)" is displayed.

Reference: It is recommended to read the parameter values after completion of parameter setting. (When performing auto tuning, it is recommended to perform parameter read after completion of auto tuning.)

By writing the parameter values from the operation panel fitted to a new inverter after inverter replacement, parameter setup can be completed.

3.3 Operation

3.3.1 Pre-operation checks

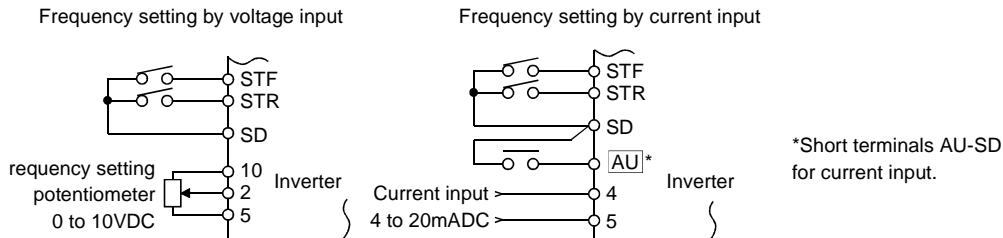
Before starting operation, check the following:

- Safety
Perform test operation after making sure that safety is ensured if the machine should become out of control.
- Machine
Make sure that the machine is free of damage.
- Parameters
Set the parameter values to match the operating machine system environment.
- Test operation
Perform test operation and make sure that the machine operates safely under light load at a low frequency.
After that, start operation.

3.3.2 External operation mode (Operation using external input signals)

(1) Operation at 60Hz

<Connection example>



For details of each terminal, refer to page 13 .

Step	Description	Image
1	Power-on → Operation mode check Switch power on and make sure that the operation command indication "EXT" is lit. (If it is not lit, press the MODE key to choose the operation mode and press the ▲ / ▼ key to switch to external operation.)	
2	Start Turn on the start switch (STF or STR). The operation status indication "FWD" or "REV" flickers. Note: The motor does not start if both the forward and reverse rotation switches are turned on. If both switches are turned on during operation, the motor decelerates to a stop.	
3	Acceleration → Constant speed Slowly turn the potentiometer (frequency setting potentiometer) full clockwise. The frequency shown on the display increases gradually to 60.00Hz.	
4	Deceleration Slowly turn the potentiometer (frequency setting potentiometer) full counterclockwise. The frequency shown on the display decreases gradually to 0.00Hz. The motor stops running.	
5	Stop Turn off the start switch (STF or STR).	

(2) External jog operation

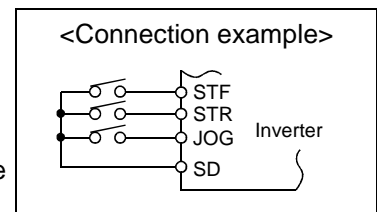
Keep the start switch (STF or STR) on to perform operation, and switch it off to stop.

1) Set Pr. 15 "jog frequency" and Pr. 16 "jog acceleration/deceleration" time.

2) Set the external operation mode.

3) Switch on the jog signal. Keep the start switch (STF or STR) on to perform operation.

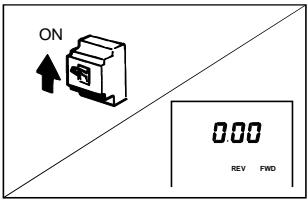
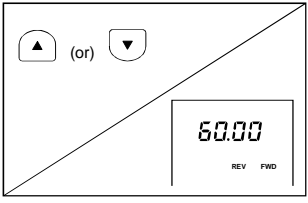
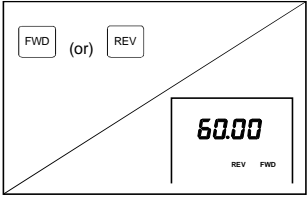
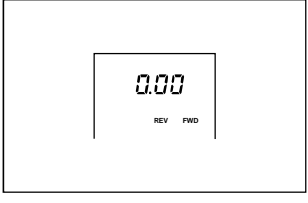
Use any of Pr. 180 to Pr. 186 (input terminal function selection) to assign the terminal used for the jog signal.



3.3.3 PU operation mode (Operation using the operation panel (FR-DU04))

(1) Operation at 60Hz

While the motor is running, repeat the following steps 2 and 3 to vary the speed:

Step	Description	Image
1	Power-on → Operation mode check Switch power on and make sure that the operation command indication "PU" is lit. (If it is not lit, press the MODE key to choose the operation mode and press the ▲ / ▼ key to switch to PU operation.)	
2	Running frequency setting Set the running frequency to 60Hz. First, press the MODE key to select the frequency setting mode. Then, press the ▲ / ▼ key to change the setting, and press the SET key to write the frequency	
3	Start Press the FWD or REV key. The motor starts running. The monitoring mode is automatically selected and the output frequency is displayed.	
4	Stop Press the STOP/RESET key. The motor is decelerated to a stop.	

(2) PU jog operation

Hold down the **FWD** or **REV** key to perform operation, and release it to stop.

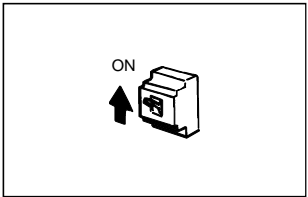
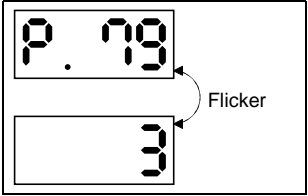
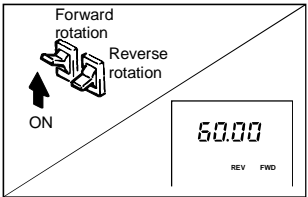
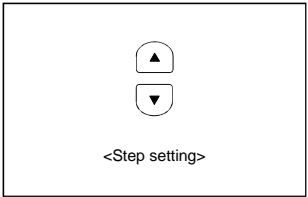
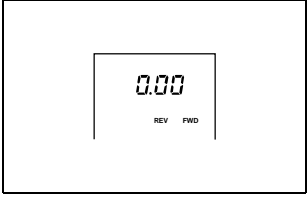
- 1) Set Pr. 15 "jog frequency" and Pr. 16 "jog acceleration/deceleration".
- 2) Select the PU jog operation. (Press the **MODE** key to choose the operation mode and press the **▲**/**▼** key to switch to PU jog operation.)
- 3) Hold down the **FWD** or **REV** key to perform operation.
(If the motor remains stopped, check Pr. 13 "starting frequency". The motor will not start if its setting is lower than the starting frequency.)

3.3.4 Combined operation mode (Operation using the external input signals and PU)

When entering the start signal from outside the inverter (switch, relay, etc.) and setting the running frequency from the PU

(Pr. 79 = 3)

The external frequency setting signals and the PU's FWD, REV and STOP keys are not accepted. (Note)

Step	Description	Image
1	Power-on Switch power on.	
2	Operation mode selection Set "3" in Pr. 79 "operation mode selection". The combined operation mode is selected and the operation status indication "EXT" and "PU" are lit.	
3	Start Turn on the start switch (STF or STR). <div style="border: 1px solid black; padding: 5px; width: fit-content;">Note: The motor does not start if both the forward and reverse rotation switches are turned on. If both switches are turned on during operation, the motor decelerates (when Pr. 250 = "9999") to a stop.</div>	
4	Running frequency setting Using the parameter unit, set the running frequency to 60Hz. The operation command indication "REV" or "FWD" is lit. •Select the frequency setting mode and make step setting. <div style="border: 1px solid black; padding: 5px; width: fit-content;">Note: Step setting is the way of changing the frequency consecutively by pressing the ▲/▼ key. Hold down the ▲/▼ key to change the frequency.</div>	
5	Stop Turn off the start switch (STF or STR). The motor stops running.	

Note: The stop key is made valid when the Pr.75 "PU stop selection" value is set to any of 14 to 17.

CHAPTER 4 PARAMETERS

This chapter explains the "parameters" for use of this product. The inverter is designed to perform simple variable-speed operation with the factory settings of the parameters. Set the necessary parameters according to the load and operation specifications.

Always read the instructions before using the equipment.

4.1 Parameter Lists 64
4.2 Parameter Function Details 73

Note: By making parameter settings, you can change the functions of contact input terminals RL, RM, RH, RT, AU, JOG, CS and open collector output terminals RUN, SU, IPF, OL, FU. Therefore, signal names corresponding to the functions are used in the description of this chapter (except in the wiring examples). Note that they are not terminal names.

Chapter 1

Chapter 2

Chapter 3

Chapter 4

Chapter 5

Chapter 6

Chapter 7

Chapter 8

4.1 Parameter Lists

4.1.1 Parameter lists

Function	Parameter Number	Name	Setting Range	Minimum Setting Increments	Factory Setting	Refer To Page:	Customer setting
Basic functions	0	Torque boost (Note 1)	0 to 30%	0.1%	6%/4%/3%/2% (Note 9)	73	
	1	Maximum frequency	0 to 120Hz	0.01Hz	120Hz	74	
	2	Minimum frequency	0 to 120Hz	0.01Hz	0Hz	74	
	3	Base frequency	0 to 400Hz	0.01Hz	60Hz	75	
	4	Multi-speed setting (high speed)	0 to 400Hz	0.01Hz	60Hz	76	
	5	Multi-speed setting (middle speed)	0 to 400Hz	0.01Hz	30Hz	76	
	6	Multi-speed setting (low speed)	0 to 400Hz	0.01Hz	10Hz	76	
	7	Acceleration time	0 to 3600 s/ 0 to 360 s	0.1 s/ 0.01 s	5 s/15 s (Note 6)	77	
	8	Deceleration time	0 to 3600 s/ 0 to 360 s	0.1 s/ 0.01 s	5 s/15 s (Note 6)	77	
	9	Electronic thermal O/L relay	0 to 500A	0.01A	Rated output current	78	
Standard operation functions	10	DC injection brake operation frequency	0 to 120Hz, 9999	0.01Hz	3Hz	79	
	11	DC injection brake operation time	0 to 10 s, 8888	0.1 s	0.5 s	79	
	12	DC injection brake voltage	0 to 30%	0.1%	4%/2% (Note 6)	79	
	13	Starting frequency	0 to 60Hz	0.01Hz	0.5Hz	80	
	14	Load pattern selection (Note 1)	0 to 5	1	0	81	
	15	Jog frequency	0 to 400Hz	0.01Hz	5Hz	82	
	16	Jog acceleration/deceleration time	0 to 3600 s/ 0 to 360 s	0.1 s/ 0.01 s	0.5 s	82	
	17	MRS input selection	0,2	1	0	83	
	18	High-speed maximum frequency	120 to 400Hz	0.01Hz	120Hz	74	
	19	Base frequency voltage (Note 1)	0 to 1000V, 8888, 9999	0.1V	9999	75	
	20	Acceleration/deceleration reference frequency	1 to 400Hz	0.01Hz	60Hz	77	
	21	Acceleration/deceleration time increments	0,1	1	0	77	
	22	Stall prevention operation level	0 to 200%, 9999	0.1%	150%	84	
	23	Stall prevention operation level compensation factor at double speed	0 to 200%, 9999	0.1%	9999	84	
	24	Multi-speed setting (speed 4)	0 to 400Hz, 9999	0.01Hz	9999	76	
	25	Multi-speed setting (speed 5)	0 to 400Hz, 9999	0.01Hz	9999	76	
	26	Multi-speed setting (speed 6)	0 to 400Hz, 9999	0.01Hz	9999	76	
	27	Multi-speed setting (speed 7)	0 to 400Hz, 9999	0.01Hz	9999	76	
	28	Multi-speed input compensation	0, 1	1	0	85	
	29	Acceleration/deceleration pattern	0, 1, 2, 3	1	0	86	
30	Regenerative function selection	0, 1, 2	1	0	87		
31	Frequency jump 1A	0 to 400Hz, 9999	0.01Hz	9999	88		
32	Frequency jump 1B	0 to 400Hz, 9999	0.01Hz	9999	88		
33	Frequency jump 2A	0 to 400Hz, 9999	0.01Hz	9999	88		
34	Frequency jump 2B	0 to 400Hz, 9999	0.01Hz	9999	88		
35	Frequency jump 3A	0 to 400Hz, 9999	0.01Hz	9999	88		
36	Frequency jump 3B	0 to 400Hz, 9999	0.01Hz	9999	88		
37	Speed display	0,1 to 9998	1	0	89		
Output terminal functions	41	Up-to-frequency sensitivity	0 to 100%	0.1%	10%	90	
	42	Output frequency detection	0 to 400Hz	0.01Hz	6Hz	90	
	43	Output frequency detection for reverse rotation	0 to 400Hz, 9999	0.01Hz	9999	90	

PARAMETERS

Function	Parameter Number	Name	Setting Range	Minimum Setting Increments	Factory Setting	Refer To Page:	Customer setting
Second functions	44	Second acceleration/deceleration time	0 to 3600 s/ 0 to 360 s	0.1 s/0.01 s	5 s	77	
	45	Second deceleration time	0 to 3600 s/0 to 360 s, 9999	0.1 s/0.01 s	9999	77	
	46	Second torque boost (Note 1)	0 to 30%, 9999	0.1%	9999	73	
	47	Second V/F (base frequency) (Note 1)	0 to 400Hz, 9999	0.01Hz	9999	75	
	48	Second stall prevention operation current	0 to 200%	0.1%	150%	91	
	49	Second stall prevention operation frequency	0 to 400Hz, 9999	0.01Hz	0Hz	91	
	50	Second output frequency detection	0 to 400Hz	0.01Hz	30Hz	90	
Display functions	52	DU/PU main display data selection	0 to 20, 22, 23, 24, 25, 100	1	0	92	
	53	PU level display data selection	0 to 3, 5 to 14, 17, 18	1	1	92	
	54	FM terminal function selection	1 to 3, 5 to 14, 17, 18, 21	1	1	92	
	55	Frequency monitoring reference	0 to 400Hz	0.01Hz	60Hz	95	
	56	Current monitoring reference	0 to 500A	0.01A	Rated output current	95	
Automatic restart functions	57	Restart coasting time	0, 0.1 to 5 s, 9999	0.1 s	9999	96	
	58	Restart cushion time	0 to 60 s	0.1 s	1.0 s	96	
Additional function	59	Remote setting function selection	0, 1, 2	1	0	98	
Operation selection functions	60	Intelligent mode selection	0 to 8	1	0	100	
	61	Reference I for intelligent mode	0 to 500A, 9999	0.01A	9999	102	
	62	Ref. I for intelligent mode accel.	0 to 200%, 9999	0.1%	9999	102	
	63	Ref. I for intelligent mode decel.	0 to 200%, 9999	0.1%	9999	102	
	64	Starting frequency for elevator mode	0 to 10Hz, 9999	0.01Hz	9999	102	
	65	Retry selection	0 to 5	1	0	103	
	66	Stall prevention operation level reduction starting frequency	0 to 400Hz	0.01Hz	60Hz	84	
	67	Number of retries at alarm occurrence	0 to 10,101 to 110	1	0	103	
	68	Retry waiting time	0 to 10 s	0.1 s	1 s	103	
	69	Retry count display erasure	0	—	0	103	
	70	Special regenerative brake duty	0 to 15%/0 to 30%/0% (Note 10)	0.1%	0%	87	
	71	Applied motor	0 to 8, 13 to 18, 20, 23, 24	1	0	105	
	72	PWM frequency selection	0 to 15	1	2	106	
	73	0-5V/0-10V selection	0 to 5, 10 to 15	1	1	107	
	74	Filter time constant	0 to 8	1	1	108	
	75	Reset selection/disconnected PU detection/PU stop selection	0 to 3, 14 to 17	1	14	110	
	76	Alarm code output selection	0, 1, 2, 3	1	0	111	
	77	Parameter write disable selection	0, 1, 2	1	0	111	
	78	Reverse rotation prevention selection	0, 1, 2	1	0	112	
79	Operation mode selection	0 to 8	1	0	113		

Function	Parameter Number	Name	Setting Range	Minimum Setting Increments	Factory Setting	Refer To Page:	Customer setting
Advanced magnetic flux vectorcontrol	80	Motor capacity	0.4 to 55kW, 9999	0.01kW	9999	116	
	81	Number of motor poles	2, 4, 6, 12, 14, 16, 9999	1	9999	116	
	82	Motor excitation current (Note 4)	0 to , 9999	1	9999	117	
	83	Rated motor voltage	0 to 1000V	0.1V	200/400V (Note 2)	117	
	84	Rated motor frequency	50 to 120Hz	0.01Hz	60Hz	117	
	89	Speed control gain	0 to 200.0%	0.1%	100%	116	
	90	Motor constant (R1) (Note 4)	0 to, 9999		9999	117	
	91	Motor constant (R2) (Note 4)	0 to, 9999		9999	117	
	92	Motor constant (L1) (Note 4)	0 to, 9999		9999	117	
	93	Motor constant (L2) (Note 4)	0 to, 9999		9999	117	
	94	Motor constant (X) (Note 4)	0 to, 9999		9999	117	
	95	Online auto tuning selection	0, 1	1	0	127	
96	Auto tuning setting/status	0, 1, 101	1	0	117		
5-point flexible V/F characteristics	100	V/F1 (first frequency) (Note 1)	0 to 400Hz, 9999	0.01Hz	9999	129	
	101	V/F1 (first frequency voltage) (Note 1)	0 to 1000V	0.1V	0	129	
	102	V/F2 (second frequency) (Note 1)	0 to 400Hz, 9999	0.01Hz	9999	129	
	103	V/F2 (second frequency voltage) (Note 1)	0 to 1000V	0.1V	0	129	
	104	V/F3 (third frequency) (Note 1)	0 to 400Hz, 9999	0.01Hz	9999	129	
	105	V/F3 (third frequency voltage) (Note 1)	0 to 1000V	0.1V	0	129	
5-point flexible V/F characteristics	106	V/F4 (fourth frequency) (Note 1)	0 to 400Hz, 9999	0.01Hz	9999	129	
	107	V/F4 (fourth frequency voltage) (Note 1)	0 to 1000V	0.1V	0	129	
	108	V/F5 (fifth frequency) (Note 1)	0 to 400Hz, 9999	0.01Hz	9999	129	
Third functions	109	V/F5 (fifth frequency voltage) (Note 1)	0 to 1000V	0.1V	0	129	
	110	Third acceleration/deceleration time	0 to 3600 s/0 to 360 s, 9999	0.1 s/0.01 s	9999	77	
	111	Third deceleration time	0 to 3600 s/0 to 360 s, 9999	0.1 s/0.01 s	9999	77	
	112	Third torque boost (Note 1)	0 to 30.0%, 9999	0.1%	9999	73	
	113	Third V/F (base frequency) (Note 1)	0 to 400Hz, 9999	0.01Hz	9999	75	
	114	Third stall prevention operation current	0 to 200%	0.1%	150%	91	
	115	Third stall prevention operation frequency	0 to 400Hz	0.01Hz	0	91	
Communication functions	116	Third output frequency detection	0 to 400Hz, 9999	0.01Hz	9999	90	
	117	Communication station number	0 to 31	1	0	130	
	118	Communication speed	48, 96, 192	1	192	130	
	119	Stop bit length / data length	0, 1 (data length 8) 10, 11 (data length 7)	1	1	130	
	120	Parity check presence/absence	0, 1, 2	1	2	130	
	121	Number of communication retries	0 to 10, 9999	1	1	130	
	122	Communication check time interval	0, 0.1 to 999.8 s, 9999	0.1 s	0	130	
	123	Waiting time setting	0 to 150ms, 9999	1ms	9999	130	
PID control	124	CRLF presence/absence selection	0,1,2	1	1	130	
	128	PID action selection	10, 11, 20, 21	—	10	141	
	129	PID proportional band	0.1 to 1000%, 9999	0.1%	100%	141	
	130	PID integral time	0.1 to 3600 s, 9999	0.1 s	1 s	141	
	131	Upper limit	0 to 100%, 9999	0.1%	9999	141	
	132	Lower limit	0 to 100%, 9999	0.1%	9999	141	
	133	PID action set point for PU operation	0 to 100%	0.01%	0%	141	
134	PID differential time	0.01 to 10.00 s, 9999	0.01 s	9999	141		

PARAMETERS

Function	Parameter Number	Name	Setting Range	Minimum Setting Increments	Factory Setting	Refer To Page:	Customer setting
Commercial power supply -inverter switch-over	135	Commercial power supply-inverter switch-over sequence output terminal selection	0, 1	1	0	148	
	136	MC switch-over interlock time	0 to 100.0 s	0.1 s	1.0 s	148	
	137	Start waiting time	0 to 100.0 s	0.1 s	0.5 s	148	
	138	Commercial power supply-inverter switch-over selection at alarm occurrence	0, 1	1	0	148	
	139	Automatic inverter-commercial power supply switch-over frequency	0 to 60.00Hz, 9999	0.01Hz	9999	148	
Backlash	140	Backlash acceleration stopping frequency (Note 7)	0 to 400Hz	0.01Hz	1.00Hz	86	
	141	Backlash acceleration stopping time (Note 7)	0 to 360 s	0.1 s	0.5 s	86	
	142	Backlash deceleration stopping frequency (Note 7)	0 to 400Hz	0.01Hz	1.00Hz	86	
	143	Backlash deceleration stopping time (Note 7)	0 to 360 s	0.1 s	0.5 s	86	
Display	144	Speed setting switchover	0, 2, 4, 6, 8, 10, 102, 104, 106, 108, 110	1	4	89	
Additional functions	145	PU display language selection					
	148	Stall prevention operation level at 0V input	0 to 200%	0.1%	150%	84	
	149	Stall prevention operation level at 10V input	0 to 200%	0.1%	200%	84	
Current detection	150	Output current detection level	0 to 200%	0.1%	150%	153	
	151	Output current detection period	0 to 10 s	0.1 s	0	153	
	152	Zero current detection level	0 to 200.0%	0.1%	5.0%	154	
	153	Zero current detection period	0 to 1 s	0.01 s	0.5 s	154	
Sub functions	154	Voltage reduction selection during stall prevention operation	0, 1	1	1	84	
	155	RT signal activated condition	0, 10	1	0	155	
	156	Stall prevention operation selection	0 to 31, 100, 101	1	0	155	
	157	OL signal waiting time	0 to 25 s, 9999	0.1 s	0	157	
	158	AM terminal function selection	1 to 3, 5 to 14, 17, 18, 21	1	1	92	
Additional function	160	User group read selection	0, 1, 10, 11	1	0	158	
Automatic restart after instantaneous power failure	162	Automatic restart after instantaneous power failure selection	0, 1	1	0	96	
	163	First cushion time for restart	0 to 20 s	0.1 s	0 s	96	
	164	First cushion voltage for restart	0 to 100%	0.1%	0%	96	
	165	Restart stall prevention operation level	0 to 200%	0.1%	150%	96	
Additional functions	168	Maker setting Parameters. Do not make setting.					
	169						
Initial monitor	170	Watt-hour meter clear	0	—	0	159	
	171	Actual operation hour meter clear	0	—	0	159	
User functions	173	User group 1 registration	0 to 999	1	0	158	
	174	User group 1 deletion	0 to 999, 9999	1	0	158	
	175	User group 2 registration	0 to 999	1	0	158	
	176	User group 2 deletion	0 to 999, 9999	1	0	158	

Function	Parameter Number	Name	Setting Range	Minimum Setting Increments	Factory Setting	Refer To Page:	Customer setting
Terminal assignment functions	180	RL terminal function selection	0 to 99, 9999	1	0	159	
	181	RM terminal function selection	0 to 99, 9999	1	1	159	
	182	RH terminal function selection	0 to 99, 9999	1	2	159	
	183	RT terminal function selection	0 to 99, 9999	1	3	159	
	184	AU terminal function selection	0 to 99, 9999	1	4	159	
	185	JOG terminal function selection	0 to 99, 9999	1	5	159	
	186	CS terminal function selection	0 to 99, 9999	1	6	159	
	190	RUN terminal function selection	0 to 199, 9999	1	0	162	
	191	SU terminal function selection	0 to 199, 9999	1	1	162	
	192	IPF terminal function selection	0 to 199, 9999	1	2	162	
	193	OL terminal function selection	0 to 199, 9999	1	3	162	
	194	FU terminal function selection	0 to 199, 9999	1	4	162	
195	A, B, C terminal function selection	0 to 199, 9999	1	99	162		
Additional function	199	User's initial value setting	0 to 999, 9999	1	0	164	
Programmed operation	200	Programmed operation minute/second selection	0, 2: Minute, second 1, 3: Hour, minute	1	0	165	
	201 to 210	Program set 1 1 to 10	0-2: Rotation direction 0-400, 9999 0-99.59: Time	1 0.1Hz Minute or second	0 9999 0	165	
	211 to 220	Program set 11 to 20	0-2: Rotation direction 0-400, 9999: Frequency	1 0.1Hz Minute or second	0 9999 0	165	
	221 to 230	Program set 3 21 to 30	0-2: Rotation direction 0-400, 9999: Frequency 0-99.59: Time	1 0.1Hz Minute or second	0 9999 0	165	
	231	Timer setting	0 to 99.59	—	0	165	
Multi-speed operation	232	Multi-speed setting (speed 8)	0 to 400Hz, 9999	0.01Hz	9999	76	
	233	Multi-speed setting (speed 9)	0 to 400Hz, 9999	0.01Hz	9999	76	
	234	Multi-speed setting (speed 10)	0 to 400Hz, 9999	0.01Hz	9999	76	
	235	Multi-speed setting (speed 11)	0 to 400Hz, 9999	0.01Hz	9999	76	
	236	Multi-speed setting (speed 12)	0 to 400Hz, 9999	0.01Hz	9999	76	
	237	Multi-speed setting (speed 13)	0 to 400Hz, 9999	0.01Hz	9999	76	
	238	Multi-speed setting (speed 14)	0 to 400Hz, 9999	0.01Hz	9999	76	
	239	Multi-speed setting (speed 15)	0 to 400Hz, 9999	0.01Hz	9999	76	
Sub functions	240	Soft-PWM setting	0, 1, 10, 11	1	1	106	
	244	Cooling fan operation selection	0, 1	1	1	169	
Stop selection functions	250	Stop selection	0 to 100 s, 9999	0.1 s	9999	170	
Additional function	251	Output phase failure protection selection	0,1	1	1	171	
	252	Override bias	0 to 200%	0.1%	50%	171	
	253	Override gain	0 to 200%	0.1%	150%	171	

Function	Parameter Number	Name	Setting Range	Minimum Setting Increments	Factory Setting	Refer To Page:	Customer setting
Power failure stop function	261	Power failure stop selection	0, 1	1	0	172	
	262	Subtracted frequency at deceleration start	0 to 20Hz	0.01Hz	3Hz	172	
	263	Subtraction starting frequency	0 to 120Hz, 9999	0.01Hz	60Hz	172	
	264	Power-failure deceleration time 1	0 to 3600/0 to 360 s	0.1 s/0.01 s	5 s	172	
	265	Power-failure deceleration time 2	0 to 3600/0 to 360 s, 9999	0.1 s/0.01 s	9999	172	
	266	Power-failure deceleration time switchover frequency	0 to 400Hz	0.01Hz	60Hz	172	
Selection function	270	Stop-on-contact/load torque high-speed frequency control selection	0, 1, 2, 3	1	0	173	
High-speed frequency control	271	High-speed setting maximum current	0 to 200%	0.1%	50%	174	
	272	Mid-speed setting minimum current	0 to 200%	0.1%	100%	174	
	273	Current averaging range	0 to 400Hz, 9999	0.01Hz	9999	174	
	274	Current averaging filter constant	1 to 4000	1	16	174	
Stop on contact	275	Stop-on-contact exciting current low-speed multiplying factor	0 to 1000%, 9999	1%	9999 (Note 5)	178	
	276	Stop-on-contact PWM carrier frequency	0 to 15, 9999	1	9999 (Note 5)	178	
Brake sequence functions	278	Brake opening frequency (Note 3)	0 to 30Hz	0.01Hz	3Hz	181	
	279	Brake opening current (Note 3)	0 to 200%	0.1%	130%	181	
	280	Brake opening current detection time (Note 3)	0 to 2 s	0.1 s	0.3 s	181	
	281	Brake operation time at start (Note 3)	0 to 5 s	0.1 s	0.3 s	181	
	282	Brake operation frequency (Note 3)	0 to 30Hz	0.01Hz	6Hz	181	
	283	Brake operation time at stop (Note 3)	0 to 5 s	0.1 s	0.3 s	181	
	284	Deceleration detection function selection (Note 3)	0, 1	1	0	181	
	285	Overspeed detection frequency	0 to 30Hz, 9999	0.01Hz	9999	181	
	286	Droop gain	0 to 100%	0.1%	0%	185	
	287	Droop filter constant	0.00 to 1.00 s	0.01s	0.3s	185	
Additional function	342	E ² PROM write selection	0, 1	1	0	130	
Capacitor life	503	Capacitor life timer	—	—	—	186	
	504	Capacitor life alarm output setting time	0 to 9998 (9999)	1 (100h)	876 (87600h)	186	
Restart	611	Restart acceleration time	0 to 3600s 9999	0.1s	5.0s	96	
Calibration functions	900	FM terminal calibration	—	—	—	187	
	901	AM terminal calibration	—	—	—	187	
	902	Frequency setting voltage bias	0 to 10V 0 to 60Hz	0.01Hz	0 0Hz	189	
	903	Frequency setting voltage gain	0 to 10V 1 to 400Hz	0.01Hz	5V 60Hz	189	
	904	Frequency setting current bias	0 to 20mA 0 to 60Hz	0.01Hz	4mA 0Hz	189	
	905	Frequency setting current gain	0 to 20mA 1 to 400Hz	0.01Hz	20mA 60Hz	189	
Additional function	990	PU buzzer control	0, 1	1	1	194	
	991	PU contrast adjustment					

- Note:
1. Indicates the parameter settings which are ignored when the advanced magnetic flux vector control mode is selected.
 2. The factory setting of the FR-A540 (400V class) is 400V.
 3. Can be set when Pr. 80, Pr. 81 \neq 9999, Pr. 60 = 7 or 8.
 4. Can be accessed when Pr. 80, Pr. 81 \neq 9999, Pr. 77 = 801.
 5. Can be accessed when Pr. 270 = 1 or 3, Pr. 80, Pr. 81 \neq 9999.
 6. The setting depends on the inverter capacity.
 7. Can be accessed when Pr. 29 = 3.
 8. The shaded parameters allow their settings to be changed during operation if "0" (factory setting) has been set in Pr. 77. (Note that the Pr. 72 and Pr. 240 settings cannot be changed during external operation.)
 9. The setting depends on the inverter capacity: (0.4K, 0.75K)/(1.5K to 3.7K)/(5.5K, 7.5K)/(11K or more).
 10. The setting depends on the inverter capacity: (0.4K to 1.5K)/(2.2K to 7.5K)/(11K or more).

4.1.2 List of parameters classified by purpose of use

Set the parameters according to the operating conditions. The following list indicates purpose of use and corresponding parameters.

	Purpose of Use	Parameter Numbers
		Parameter numbers which must be set
Related to operation	Adjustment of acceleration/deceleration time and pattern	Pr. 7, Pr. 8, Pr. 20, Pr. 21
	Selection of optimum output characteristic for load characteristic	Pr. 3
	Limit of output frequency	Pr. 1, Pr. 2 Pr. 18
	Operation over 60Hz	Pr. 903, Pr. 905
	Adjustment of frequency setting signal and output	Pr. 73, Pr. 902, Pr. 903, Pr. 904, Pr. 905
	Adjustment of motor output torque	Pr. 0, Pr. 80, Pr. 81
	Adjustment of brake operation	Pr. 10, Pr. 11, Pr. 12
	Multi-speed operation	Pr. 4, Pr. 5, Pr. 6, Pr. 24, Pr. 25, Pr. 26, Pr. 27, Pr. 232, Pr. 233, Pr. 234, Pr. 235, Pr. 236, Pr. 237, Pr. 238, Pr. 239
	Jog operation	Pr. 15, Pr. 16
	Frequency jump operation	Pr. 31, Pr. 32, Pr. 33, Pr. 34, Pr. 35, Pr. 36
	Automatic restart after instantaneous power failure	Pr. 57, Pr. 58, Pr. 611
	Optimum acceleration/deceleration within continuous rating range	Pr. 60
	Stall prevention of motor, lift operation	Pr. 156
Related to application operation	To perform commercial power supply-inverter switch-over operation	Pr. 135 to Pr. 139
	Timing of magnetic brake operation	Pr. 42
	Reversible operation according to analog signal polarity	Pr. 28, Pr. 73
	Advanced magnetic flux vector control operation	Pr. 80, Pr. 81
	Sub-motor operation	Pr. 0, Pr. 3, Pr. 7, Pr. 8, Pr. 44, Pr. 45, Pr. 46, Pr. 47, Pr. 110, Pr. 111, Pr. 112, Pr. 113
	To make desired output characteristics (V/F pattern)	Pr. 100 to Pr. 109
	Operation via communication with personal computer	Pr. 117 to Pr. 124, Pr. 342
	Operation under PID control	Pr. 128 to Pr. 134
	To make backlash compensation	Pr. 140 to Pr. 143
	To detect current	Pr. 150 to Pr. 153
	Programmed operation	Pr. 200 to Pr. 231
	High-speed frequency control operation	Pr. 271 to Pr. 274
	To exercise stop-on-contact control	Pr. 275, Pr. 276
	To exercise droop control	Pr. 286, Pr. 287
To suppress noise	Pr. 72, Pr. 240	
Related to monitoring	Calibration of frequency meter	Pr. 54, Pr. 55, Pr. 56, Pr. 158, Pr. 900, Pr. 901
	Adjustment of digital frequency meter	Pr. 54, Pr. 55, Pr. 56, Pr. 900
	Display of speed, etc.	Pr. 37, Pr. 52, Pr. 53
	Clearing of inverter's actual operation time	Pr. 171
	Alarm code output selection	Pr. 76
Related to incorrect operation prevention	Function rewrite prevention	Pr. 77
	Reverse rotation prevention	Pr. 78
	To group parameters	Pr. 160, Pr. 173 to Pr. 176
	To set initial values for parameters	Pr. 199
	To decelerate inverter to a stop at power failure	Pr. 261 to Pr. 266
Others	Assignment of input terminal functions	Pr. 180 to Pr. 186
	Assignment of output terminal functions	Pr. 190 to Pr. 195
	To increase cooling fan life	Pr. 244
	Motor overheat protection	Pr. 9
	Automatic restart after alarm stop	Pr. 65, Pr. 67, Pr. 68, Pr. 69
	Selection of key beep	Pr. 990
	Inverter reset selection	Pr. 75
	Output phase failure protection selection	Pr. 251
	To determine the replacement time of capacitor	Pr. 503, Pr. 504

4.1.3 Parameters recommended to be set by the user

We recommend the following parameters to be set by the user.

Set them according to the operation specifications, load, etc.

Parameter Number	Name	Application
1	Maximum frequency	Used to set the maximum and minimum output frequencies.
2	Minimum frequency	
7	Acceleration time	Used to set the acceleration and deceleration times.
8	Deceleration time	
44	Second acceleration/deceleration time	
45	Second deceleration time	
110	Third acceleration/deceleration time	
111	Third deceleration time	
9	Electronic thermal O/L relay	Used to set the current of the electronic overcurrent protection to protect the motor from overheat.
14	Load pattern selection	Used to select the optimum output characteristics which match the application and load characteristics.
71	Applied motor	Used to set the thermal characteristics of the electronic overcurrent protection according to the motor used.
73	0-5V/0-10V selection	Used to select the specifications of the frequency setting signal entered across terminal 2-5 to perform operation with the voltage input signal.
156	Stall prevention operation selection	For the lift application, make setting to disable high-response current restriction. Otherwise the torque may not be generated, resulting in the lift drop with gravity.
900	FM terminal calibration	Used to calibrate the meters connected across terminals FM-SD and AM-5.
901	AM terminal calibration	
902	Frequency setting voltage bias	Used to set the magnitude (slope) of the output frequency relative to the frequency setting signal (0 to 5V, 0 to 10V or 4 to 20mA DC) as desired.
903	Frequency setting voltage gain	
904	Frequency setting current bias	
905	Frequency setting current gain	

4.2 Parameter Function Details

4.2.1 Torque boost (Pr. 0, Pr. 46, Pr. 112)

Pr. 0 "torque boost"

Pr. 46 "second torque boost"

Pr. 112 "third torque boost"

Related parameters

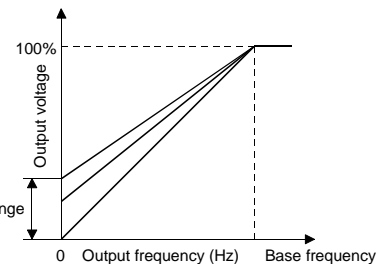
Pr. 3 "base frequency"
 Pr. 19 "base frequency voltage"
 Pr. 71 "applied motor"
 Pr. 80 "motor capacity"
 Pr. 81 "number of motor poles"
 Pr. 180 to Pr. 186
 (input terminal function selection)

You can compensate for a voltage drop in the low frequency range to improve motor torque reduction in the low speed range.

- Motor torque in the low-frequency range can be adjusted to the load to increase the starting motor torque.
- You can select any of the three different starting torque boosts by terminal switching.

Parameter Number	Factory Setting	Setting Range	Remarks
0	0.4K, 0.75K	6%	—
	1.5K to 3.7K	4%	
	5.5K, 7.5K	3%	
	11K or more	2%	
46	9999	0 to 30%, 9999	9999: Function invalid
112	9999	0 to 30%, 9999	9999: Function invalid

Pr.0
Pr.46
Pr.112



<Setting>

- Assuming that the base frequency voltage is 100%, set the 0Hz voltage in %.
- A large setting will cause the motor to overheat. The guideline for maximum value is about 10%.
- Pr. 46 "second torque boost" is made valid when the RT signal turns on. Pr. 112 "third torque boost" is made valid when the X9 signal turns on. Use any of Pr. 180 to Pr. 186 to assign the terminal used for X9 signal input. (Note 5)

- Note:
1. When using a constant-torque motor, change the setting of this parameter as follows:
 0.4K, 0.75K...6%, 1.5K to 3.7k, 4%, 5.5K or more...2%
 2. This parameter setting is ignored when Pr. 80 and Pr. 81 have been set to select the advanced magnetic flux vector control mode.
 3. When the Pr. 0 setting is either of the following values for 5.5K and 7.5K, it is automatically changed when the Pr.71 setting is changed:
 - (1) When Pr. 0 setting is 3% (factory setting)
 The Pr. 0 setting is changed to 2% automatically when the Pr. 71 setting is changed from [general-purpose motor selection value (0, 2 to 8, 20, 23, 24)] to [constant-torque motor selection value (1, 13 to 18)].
 - (2) When Pr. 0 setting is 2%
 The Pr. 0 setting is changed to 3% (factory setting) automatically when the Pr. 71 setting is changed from [constant-torque motor selection value (1, 13 to 18)] to [general-purpose motor selection value (0, 2 to 8, 20, 23, 24)].
 4. Increase the setting when the inverter-to-motor distance is long or motor torque in the low-speed range is insufficient, for example. A too large setting may result in an overcurrent trip.
 5. The RX (X9) signal acts the second (third) function select signal and the other second (third) functions are also made valid. Refer to page 157 for Pr. 180 to Pr. 186 (input terminal function selection).

4.2.2 Output frequency range (Pr. 1, Pr. 2, Pr. 18)

Pr. 1 "maximum frequency"

Pr. 2 "minimum frequency"

Pr. 18 "high-speed maximum frequency"

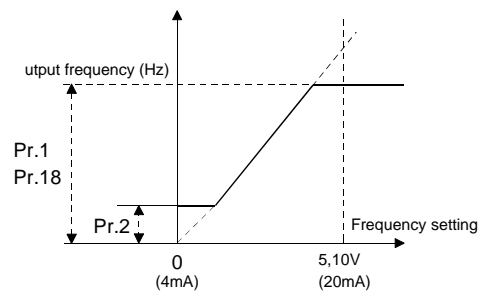
Related parameters

- Pr. 13 "starting frequency"
- Pr. 903 "frequency setting voltage gain"
- Pr. 905 "frequency setting current gain"

Used to clamp the upper and lower limits of the output frequency. Used for high-speed operation at or over 120Hz.

- Can be used to set the upper and lower limits of motor speed.

Parameter Number	Factory Setting	Setting Range
1	120Hz	0 to 120Hz
2	0Hz	0 to 120Hz
18	120Hz	120 to 400Hz



<Setting>

- Use Pr. 1 to set the upper limit of the output frequency. If the frequency of the frequency command entered is higher than the setting, the output frequency is clamped at the maximum frequency.
- To perform operation over 120Hz, set the upper limit of the output frequency in Pr. 18.
(When the Pr. 18 value is set, Pr. 1 automatically changes to the frequency in Pr. 18. Also, setting the Pr. 1 value automatically changes the Pr. 18 value to the frequency in Pr. 1.)
- Use Pr. 2 to set the lower limit of the output frequency.

Note: When the frequency setting analog signal is used to run the motor beyond 60Hz, change the Pr. 903 and Pr. 905 values. If Pr. 1 or Pr. 18 is only changed, the motor cannot run beyond 60Hz.



CAUTION



When the Pr. 2 setting is higher than the Pr. 13 "starting frequency" value, note that the motor will run at the preset frequency according to the acceleration time setting by merely switching the start signal on, even if the command frequency has not been entered.

4.2.3 Base frequency, base frequency voltage (Pr. 3, Pr. 19, Pr. 47, Pr. 113)

Pr. 3 "base frequency"

Pr. 19 "base frequency voltage"

Pr. 47 "second V/F (base frequency)"

Pr. 113 "third V/F (base frequency)"

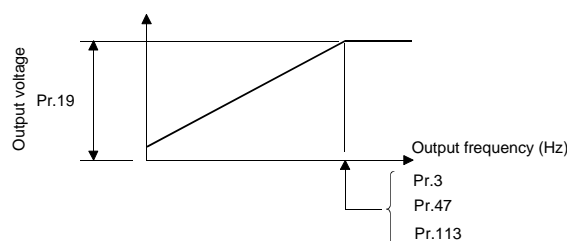
Related parameters

Pr. 14 "load pattern selection"
 Pr. 71 "applied motor"
 Pr. 80 "motor capacity"
 Pr. 81 "number of motor poles"
 Pr. 83 "rated motor voltage"
 Pr. 84 "rated motor frequency"
 Pr. 180 to Pr. 186 (input terminal function selection)

Used to adjust the inverter outputs (voltage, frequency) to the motor rating.

- When running a standard motor, generally set the rated motor frequency. When running the motor using the commercial power supply-inverter switch-over, set the base frequency to the same value as the power supply frequency.
- Always set this frequency to "50Hz" if the frequency indicated in the motor rating plate is "50Hz" only. If the setting remains unchanged from "60Hz", the voltage may become too low and torque less, resulting an overload trip. Especially, care must be taken when Pr. 14 "load pattern selection" = 1.

Parameter Number	Factory Setting	Setting Range	Remarks
3	60Hz	0 to 400Hz	
19	9999	0 to 1000V, 8888, 9999	8888: 95% of power supply voltage 9999: Same as power supply voltage
47	9999	0 to 400Hz, 9999	9999: Function invalid
113	9999	0 to 400Hz, 9999	9999: Function invalid



<Setting>

- Use Pr. 3, Pr. 47 and Pr. 113 to set the base frequency (rated motor frequency). Three different base frequencies can be set and the required frequency can be selected from among them.
- Pr. 47 "second V/F (base frequency)" is made valid when the RT signal turns on, and Pr. 113 "third V/F (base frequency)" is made valid when the X9 signal turns on. Use any of Pr. 180 to Pr. 186 to assign the terminal used for X9 signal input. (Note 4)
- Use Pr. 19 to set the base voltage (e.g. rated motor voltage).

Note: 1. When using the Mitsubishi constant-torque motor, set Pr. 3 "base frequency" to 60Hz.
 2. When the advanced magnetic flux vector control mode has been selected using Pr. 80 and Pr. 81, Pr. 3, Pr. 47, Pr. 113 and Pr. 19 are made invalid and Pr. 84 and Pr. 83 are made valid. However, Pr. 3, Pr. 47 or Pr. 113 is made valid for the S-shaped inflection pattern point of Pr. 29.
 3. When "2" (5-point flexible V/F characteristics) is set in Pr. 71, the Pr. 47 and Pr. 113 settings are made invalid.
 Also, "8888" and "9999" can not be set in Pr. 19.
 4. The RT (X9) signal acts the second (third) function select signal and the other second (third) functions are also made valid. Refer to page 159 for Pr. 180 to Pr. 186 (input terminal function selection).

4.2.4 Multi-speed operation (Pr. 4 to Pr. 6, Pr. 24 to Pr. 27, Pr. 232 to Pr. 239)

Pr. 4 "multi-speed setting (high speed)"

Pr. 5 "multi-speed setting (middle speed)"

Pr. 6 "multi-speed setting (low speed)"

Pr. 24 to Pr. 27 "multi-speed setting (speeds 4 to 7)"

Pr. 232 to Pr. 239 "multi-speed setting (speeds 8 to 15)"

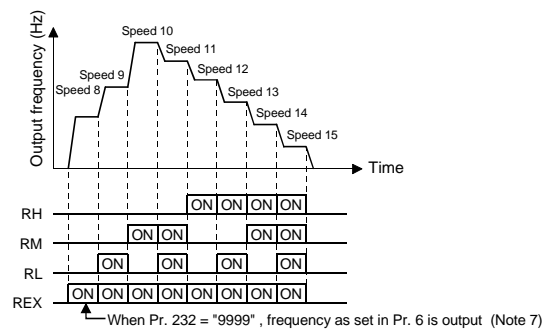
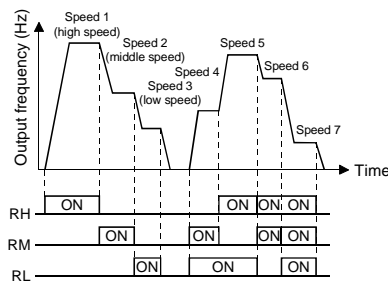
Related parameters

- Pr. 1 "maximum frequency"
- Pr. 2 "minimum frequency"
- Pr. 15 "jog frequency"
- Pr. 28 "multi-speed input compensation"
- Pr. 29 "acceleration/deceleration pattern"
- Pr. 79 "operation mode selection"
- Pr. 180 to Pr. 186 (input terminal function selection)

Used to preset the running speeds in parameters and switch between them using terminals.

- Any speed can be selected by switching on-off the contact signal (RH, RM, RL or REX signal).
- By using these functions with Pr. 15 "jog frequency", Pr. 1 "maximum frequency" and Pr. 2 "minimum frequency", up to 18 speeds can be set.
- Valid in the external operation mode or PU/external combined operation mode (Pr. 79 = "3 or 4").

Parameter Number	Factory Setting	Setting Range	Remarks
4	60Hz	0 to 400Hz	
5	30Hz	0 to 400Hz	
6	10Hz	0 to 400Hz	
24 to 27	9999	0 to 400Hz, 9999	9999: Not selected
232 to 239	9999	0 to 400Hz, 9999	9999: Not selected



<Setting>

- Set the running frequencies in the corresponding parameters. Each speed (frequency) can be set as desired between 0 and 400Hz during inverter operation. After the required multi-speed setting parameter has been read, the setting can be changed by pressing the Δ/∇ key. (In this case, when you release the Δ/∇ key, press the SET key to store the set frequency. When using the FR-PU04 (option), press the key.)
- Use any of Pr. 180 to Pr. 186 to assign the terminal used to input the REX signal.

Note: 1. The priorities of the frequency commands are in order of jog, multi-speed operation, No. 4 terminal and No. 2 terminal.
 2. The multi-speeds can also be set in the PU or external operation mode.
 3. For 3-speed setting, if two or three speeds are simultaneously selected, priority is given to the frequency setting of the lower signal.
 4. Pr. 24 to Pr. 27 and Pr. 232 to Pr. 239 settings have no priority between them.
 5. The parameter values can be changed during operation.
 6. When terminal assignment is changed using Pr. 180 to Pr. 186, the other functions may be affected. Check the functions of the corresponding terminals before making setting.
 7. When only the REX signal on and Pr. 232 = "9999", the set frequency is changed to the value of low speed operation (Pr. 6).

4.2.5 Acceleration/deceleration time (Pr. 7, Pr. 8, Pr. 20, Pr. 21, Pr. 44, Pr. 45, Pr. 110, Pr. 111)

Pr. 7 "acceleration time"

Pr. 8 "deceleration time"

Pr. 20 "acceleration/deceleration reference frequency"

Pr. 21 "acceleration/deceleration time increments"

Pr. 44 "second acceleration/deceleration time"

Pr. 45 "second deceleration time"

Pr. 110 "third acceleration/deceleration time"

Pr. 111 "third deceleration time"

Related parameters

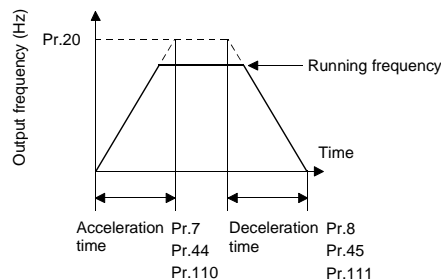
Pr. 3 "base frequency"
Pr. 29 "acceleration/deceleration pattern"
Pr. 180 to Pr. 186 (input terminal function selection)

Used to set motor acceleration/deceleration time.

Set a larger value for a slower speed increase/decrease or a smaller value for a faster speed increase/decrease.

For acceleration time at restart after instantaneous power failure, refer to Pr. 611 "restart acceleration time." (page 96)

Parameter Number	Factory Setting	Setting Range	Remarks
7	7.5K or less	0 to 3600 s/0 to 360 s	
	11K or more		
8	7.5K or less	0 to 3600 s/0 to 360 s	
	11K or more		
20	60Hz	1 to 400Hz	
21	0	0, 1	0: 0 to 3600 s, 1: 0 to 360 s
44	7.5K or less	0 to 3600 s/0 to 360 s	
	11K or more		
45	7.5K or less	0 to 3600 s/0 to 360 s, 9999	9999: Acceleration time = deceleration time
	11K or more		
110	7.5K or less	0 to 3600 s/0 to 360 s, 9999	9999: Function invalid
	11K or more		
111	7.5K or less	0 to 3600 s/0 to 360 s, 9999	9999: Acceleration time = deceleration time
	11K or more		



<Setting>

- Use Pr. 21 to set the acceleration/deceleration time and minimum setting increments:
Set value "0" (factory setting)..... 0 to 3600s (minimum setting increments: 0.1s)
Set value "1" 0 to 360s (minimum setting increments: 0.01s)
- When the Pr. 21 setting was changed, reset acceleration / deceleration time. (Note 5)
- Use Pr. 7, Pr. 44 and Pr. 110 to set the acceleration time required to reach the frequency set in Pr. 20 from 0Hz.
- Use Pr. 8, Pr. 45 and Pr. 111 to set the deceleration time required to reach 0Hz from the frequency set in Pr. 20.
- Pr. 44 and Pr. 45 are valid when the RT signal is on, and Pr. 110 and Pr. 111 are valid when the X9 signal is on. When both RT and X9 are on, Pr. 110 and Pr. 111 are valid. (When the RT (X9) signal is on, the other second (third) functions such as second (third) torque boost are also selected.)
- Use any of Pr. 180 to Pr. 186 to assign the terminal used to input the X9 signal.
- Set "9999" in Pr. 45 and Pr. 111 to make the deceleration time equal to the acceleration time (Pr. 44, Pr. 110).
- When "9999" is set in Pr. 110, the function is made invalid.

Note: 1. In S-shaped acceleration/deceleration pattern A (refer to page 86), the set time is a period required to reach the base frequency set in Pr. 3.

- Acceleration/deceleration time calculation expression when the set frequency is the base frequency or higher

$$t = \frac{4}{9} \times \frac{T}{(\text{Pr.3})^2} \times f^2 + \frac{5}{9} T$$

T: Acceleration/deceleration time setting(s)

f: Set frequency (Hz)

- Guideline for acceleration/deceleration time at the base frequency of 60Hz (0Hz to set frequency)

Frequency setting (Hz)	60	120	200	400
Acceleration/deceleration time (s)				
5	5	12	27	102
15	15	35	82	305

2. If the Pr. 20 setting is changed, the settings of calibration functions Pr. 903 and Pr. 905 (frequency setting signal gains) remain unchanged. To adjust the gains, adjust calibration functions Pr. 903 and Pr. 905.
3. When the setting of Pr. 7, Pr. 8, Pr. 44, Pr. 45, Pr. 110 or Pr. 111 is "0", the acceleration/deceleration time is 0.04s. At this time, set 120Hz or less in Pr. 20.
4. If the shortest acceleration/deceleration time is set, the actual motor acceleration/deceleration time cannot be made shorter than the shortest acceleration/deceleration time determined by the mechanical system's J (moment of inertia) and motor torque.
5. Changing the Pr. 21 setting changes the setting values of acceleration/deceleration time (Pr. 7, Pr. 8, Pr. 16, Pr. 44, Pr. 45, Pr. 110, Pr. 111, Pr. 264, Pr. 265). (The Pr. 611 setting is not changed.)

<Example>

When Pr. 21 = "0", setting "5.0"s in Pr. 7 and "1" in Pr. 21 changes the Pr. 7 setting to "0.5"s

4.2.6 Electronic overcurrent protection (Pr. 9)

Pr. 9 "electronic thermal O/L relay"

Related parameters

Pr. 71 "applied motor"

Set the current of the electronic overcurrent protection to protect the motor from overheat. This feature provides the optimum protective characteristics, including reduced motor cooling capability, at low speed.

Parameter Number	Factory Setting	Setting Range
9	Rated output current*	0 to 500A

*0.4K and 0.75K are set to 85% of the rated inverter current.

<Setting>

- Set the rated current [A] of the motor.
(Normally set the rated current value at 50Hz if the motor has both 50Hz and 60Hz rated current.)
- Setting of "0" makes the electronic overcurrent protection (motor protective function) invalid. (The inverter's output transistor protective function is valid.)
- When Mitsubishi constant-torque motor is used, set "1" or any of "13" to "18" in Pr. 71. (100% continuous torque characteristic in the low speed range is selected.) Then, set the rated motor current in Pr. 9.

Note: 1. When two or more motors are connected to the inverter, they cannot be protected by the electronic overcurrent protection. Install an external thermal relay to each motor.

2. When a difference between the inverter and motor capacities is large and the setting is small, the protective characteristics of the electronic overcurrent protection will be deteriorated. In this case, use an external thermal relay.

3. A special motor cannot be protected by the electronic overcurrent protection. Use an external thermal relay.

4.2.7 DC injection brake (Pr. 10 to Pr. 12)

Pr. 10 "DC injection brake operation frequency"

Pr. 11 "DC injection brake operation time"

Pr. 12 "DC injection brake voltage"

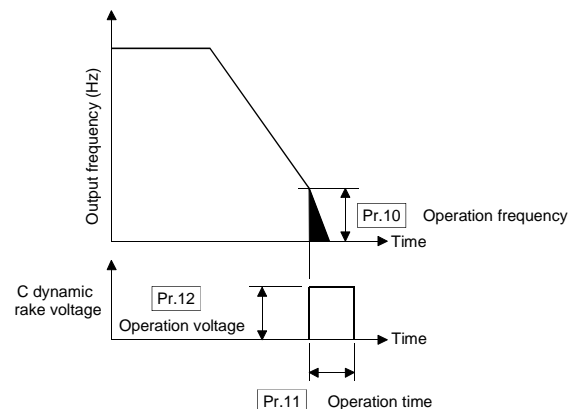
Related parameters

Pr. 13 "starting frequency"

Pr. 71 "applied motor"

By setting the DC injection brake voltage (torque) at a stop, operation time and operation starting frequency, the stopping accuracy of positioning operation, etc. or the timing of operating the DC injection brake to stop the motor is adjusted according to the load.

Parameter Number	Factory Setting	Setting Range	Remarks
10	3Hz	0 to 120Hz, 9999	9999: Operated at or below Pr. 13 value.
11	0.5 s	0 to 10 s, 8888	8888: Operated when X13 signal switches on.
12	7.5K or less	0 to 30%	
	11K or more		



<Setting>

- Use Pr. 10 to set the frequency at which the DC injection brake application is started. By setting "9999" in Pr. 10, the motor is decelerated to the frequency set in Pr. 13 and braked.
- Use Pr. 11 to set the period during when the brake is operated. By setting "8888" in Pr. 11, the DC injection brake is operated while the X13 signal is on.
- Use any of Pr. 180 to Pr. 186 to assign the terminal used to input the X13 signal.
- Use Pr. 12 to set the percentage of the power supply voltage.
- When using the inverter dedicated motor (constant-torque motor SF-JRCA) and energy saving motor (SF-HR, SF-HRCA), change the Pr. 12 setting as follows:
SF-JRCA: 3.7K or less ... 4%, 5.5K or more ... 2% (Note 1)
SF-HR, SF-HRCA: 3.7K or less ... 4%, 5.5K, 7.5K ... 3%, 11K or less ... 2%

Note: 1. When the Pr. 12 setting is either of the following values for 5.5K and 7.5K, it is automatically changed when the Pr. 71 setting is changed:

(1)When Pr. 12 setting is 4% (factory setting)

The Pr. 12 setting is changed to 2% automatically when the Pr. 71 setting is changed from [general-purpose motor selection value (0, 2 to 8, 20, 23, 24)] to [constant-torque motor selection value (1, 13 to 18)].

(2)When Pr. 12 setting is 2%

The Pr. 12 setting is changed to 4% (factory setting) automatically when the Pr. 71 setting is changed from [constant-torque motor selection value (1, 13 to 18)] to [general-purpose motor selection value (0, 2 to 8, 20, 23, 24)].

2. When Pr. 11 = "0" or Pr. 12 = "0", DC injection brake operation cannot be performed.

⚠ CAUTION

⚠ For orientation operation, do not set "0" or "8888" in Pr. 11 and "0" in Pr. 12.
The motor may not be stopped in the correct position.

⚠ Install a mechanical brake. No holding torque is provided.

4.2.8 Starting frequency (Pr. 13)

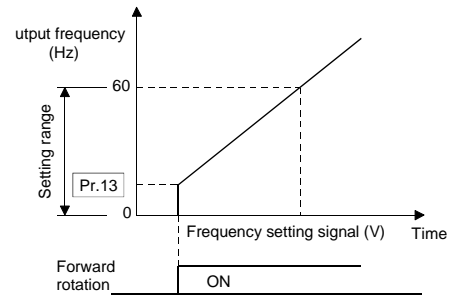
Pr. 13 "starting frequency"

Related parameters
Pr. 2 "minimum frequency"

You can set the starting frequency between 0 and 60Hz.

- Set the starting frequency at which the start signal is switched on.

Parameter	Factory Setting	Setting Range
13	0.5Hz	0 to 60Hz



Note: The inverter will not start if the frequency setting signal is less than the value set in Pr. 13 "starting frequency".

For example, when 5Hz is set in Pr. 13, the motor will start running when the frequency setting signal reaches 5Hz.



CAUTION



When the Pr. 13 setting is lower than the Pr. 2 value, note that the motor will start running at the preset speed by merely turning the start signal on, even if the command frequency has not been entered.

4.2.9 Load pattern selection (Pr. 14)

Pr. 14 "load pattern selection"

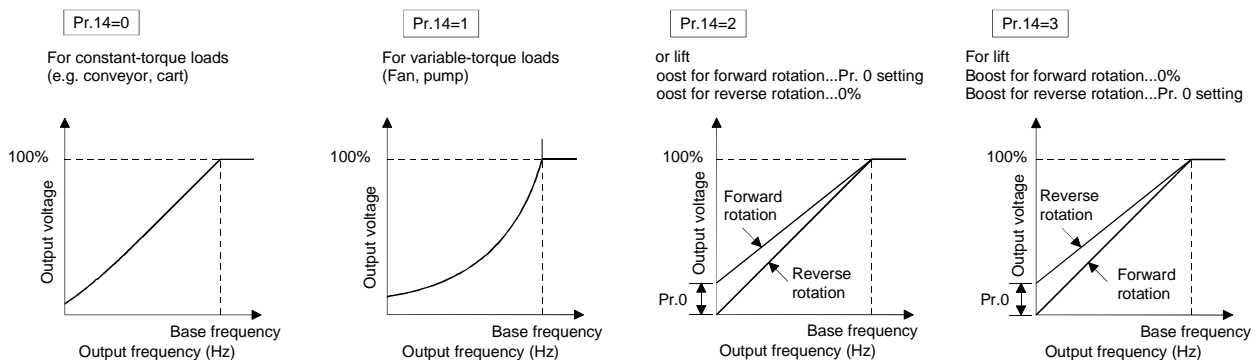
Related parameters

- Pr. 0 "torque boost"
- Pr. 60 "intelligent mode selection"
- Pr. 80 "motor capacity"
- Pr. 81 "number of motor poles"
- Pr. 180 to Pr. 186
(input terminal function selection)

You can select the optimum output characteristic (V/F characteristic) for the application and load characteristics.

- The output voltage is automatically set by intelligent mode when "4" (energy-saving mode) is set in Pr. 60 "intelligent mode selection". (Refer to page 100.)

Parameter Number	Factory Setting	Setting Range
14	0	0 to 5



Setting	Output Characteristics		Application
0	For constant-torque load		Conveyor, cart, etc.
1	For variable-torque load		Fan, pump
2	For constant-torque lift	Boost for reverse rotation 0%	For lift load
3		Boost for forward rotation 0%	
4	RT signal	ON...For constant-torque load (same as in setting = 0)	Load pattern selection switching function using RT signal
		OFF...For constant-torque lift, boost for reverse rotation 0% (same as in setting = 2)	
5	RT signal	ON...For constant-torque load (same as in setting = 0)	
		OFF...For constant-torque lift, boost for forward rotation 0% (same as in setting = 3)	

Note: 1. This parameter setting is ignored when Pr. 80 and Pr. 81 have been set to select the advanced magnetic flux vector control mode.

2. When the RT signal is on, the other second functions such as second acceleration/deceleration time and second torque boost are also selected.

3. When the setting is 4 or 5, X17 signal may be used instead of the RT signal. Use any of Pr. 180 to Pr. 186 to assign the terminal used to input the X17 signal.

4.2.10 Jog operation (Pr. 15, Pr. 16)

Pr. 15 "jog frequency"

Pr. 16 "jog acceleration/deceleration time"

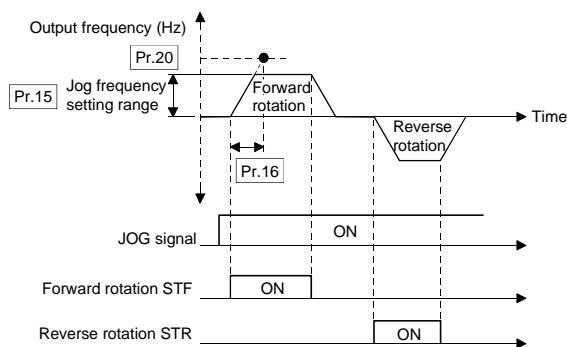
Related parameters

- Pr. 20 "acceleration/deceleration reference frequency"
- Pr. 21 "acceleration/deceleration time increments"
- Pr. 79 "operation mode selection"
- Pr. 180 to Pr. 186
(input terminal function selection)

In the external operation mode, jog operation can be started and stopped by the start signal (STF, STR) with the jog signal ON, after selection of the jog operation function using the input terminal function selection. In the PU operation mode, jog operation can also be performed using the PU (FR-DU04/FR-PU04).

- Set the frequency and acceleration/deceleration time for jog operation

Parameter Number	Factory Setting	Setting Range	Remarks
15	5Hz	0 to 400Hz	
16	0.5 s	0 to 3600 s	When Pr. 21 = 0
		0 to 360 s	When Pr. 21 = 1



- Note: 1. In S-shaped acceleration/deceleration pattern A, the set time is a period of time required to reach Pr. 3 "base frequency".
2. The acceleration time and deceleration time cannot be set separately for jog operation.
3. The value set in Pr.15 "jog frequency" should be equal to or greater than the Pr.13 "starting frequency" setting.

4.2.11 MRS input selection (Pr. 17)

Pr. 17 "MRS input selection"

Used to select the logic of the MRS signal.

When the MRS signal switches on, the inverter shuts off the output.

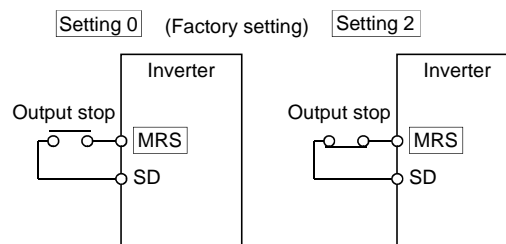
Parameter Number	Factory Setting	Setting Range
17	0	0, 2

<Setting>

Pr. 17 Setting	Specifications of MRS Signal
0	Normally open input
2	Normally closed input (N/C contact input specifications)

<Wiring example>

- For sink logic



Pr. 18 → Refer to Pr. 1, Pr. 2.

Pr. 19 → Refer to Pr. 3

Pr. 20, Pr. 21 → Refer to Pr. 7, Pr. 8.

4.2.12 Stall prevention (Pr. 22, Pr. 23, Pr. 66, Pr. 148, Pr. 149, Pr. 154)

Pr. 22 "stall prevention operation level"

Pr. 23 "stall prevention operation level compensation factor at double speed"

Pr. 66 "stall prevention operation level reduction starting frequency"

Pr. 148 "stall prevention operation level at 0V input"

Pr. 149 "stall prevention operation level at 10V input"

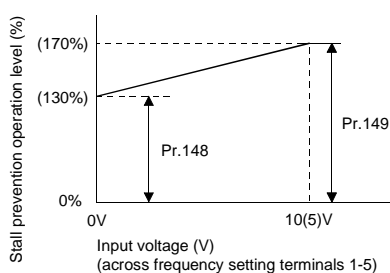
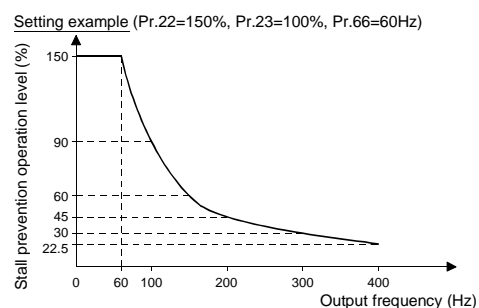
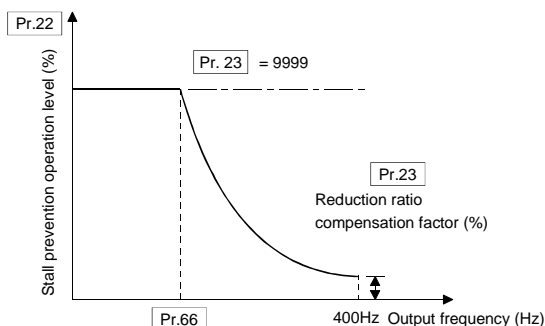
Pr. 154 "voltage reduction selection during stall prevention operation"

Related parameters

- Pr. 48 "second stall prevention operation current"
- Pr. 49 "second stall prevention operation frequency"
- Pr. 73 "0-5V/0-10V selection"
- Pr. 114 "third stall prevention operation current"
- Pr. 115 "third stall prevention operation frequency"
- Pr. 156 "stall prevention operation selection"

- Set the output current level at which the output frequency will be adjusted to prevent the inverter from stopping due to overcurrent etc.
- For high-speed operation at or over the more base frequency, acceleration may not be made because the motor current does not increase. To improve the operation characteristics of the motor in such a case, the stall prevention level in the high-frequency range can be reduced. This is effective for operation of a centrifugal separator up to the high-speed range. Normally, set 60Hz in Pr. 66 and 100% in Pr. 23.
- For operation in the high-frequency range, the current in the locked motor state is smaller than the rated output current of the inverter and the inverter does not result in an alarm (protective function is not activated) if the motor is at a stop. To improve this and activate the alarm, the stall prevention level can be reduced.
- In order to provide torque during stall prevention, Pr. 154 is factory-set not to reduce the output voltage. The setting of reducing the output voltage further decreases the probability of overcurrent trip occurrence.
- The stall prevention operation level can be varied by entering the analog signal into terminal 1.

Parameter Number	Factory Setting	Setting Range	Remarks
22	150%	0 to 200%, 9999	9999: Analog variable
23	9999	0 to 200%, 9999	9999: Constant according to Pr. 22
66	60Hz	0 to 400Hz	
148	150%	0 to 200%	(Bias)
149	200%	0 to 200%	(Gain)
154	1	0, 1	0: Output voltage reduced 1: Output voltage not reduced



<Setting>

- In Pr. 22, set the stall prevention operation level. Normally set it to 150% (factory setting). Set "0" in Pr. 22 to disable the stall prevention operation.
- To reduce the stall prevention operation level in the high-frequency range, set the reduction starting frequency in Pr. 66 and the reduction ratio compensation factor in Pr. 23.

Calculation expression for stall prevention operation level



$$\text{Stall prevention operation level (\%)} = A + B \times \left[\frac{\text{Pr.22-A}}{\text{Pr.22-B}} \right] \times \left[\frac{\text{Pr.23-100}}{100} \right]$$

$$\text{where, } A = \frac{\text{Pr.66 (Hz)} \times \text{Pr.22 (\%)}}{\text{output frequency (Hz)}}, B = \frac{\text{Pr.66 (Hz)} \times \text{Pr.22 (\%)}}{400\text{Hz}}$$

- By setting "9999" (factory setting) in Pr. 23, the stall prevention operation level is constant at the Pr. 22 setting up to 400Hz.
- Set "9999" in Pr. 22 to vary the stall prevention operation level using the analog signal (0-5V/0-10V) entered to the frequency setting auxiliary input terminal [1]. (Use Pr. 73 to select between 10V and 5V.)
- Use Pr. 148 and Pr. 149 to adjust the gain and bias of the analog signal.
- Set "0" in Pr. 154 to reduce the output voltage during stall prevention operation.

Note: 1. When Pr. 22 = "9999", terminal 1 is exclusively used for setting the stall prevention operation level. The auxiliary input and override functions are not activated.
2. When high-response current limit is set in Pr. 156 (factory setting), do not set the Pr. 22 value to 170% or higher. If such setting is made, torque will not be developed.

CAUTION

-  **Do not set a too small value as the stall prevention operation current. Otherwise, torque generated will reduce.**
-  **Test operation must be performed. Stall prevention operation during acceleration may increase the acceleration time.
Stall prevention operation during constant speed may change the speed suddenly.
Stall prevention operation during deceleration may increase the deceleration time, increasing the deceleration distance.**

Pr. 24 to Pr. 27 → Refer to Pr. 4 to Pr. 6.

4.2.13 Multi-speed input compensation (Pr. 28)

Pr. 28 "multi-speed input compensation"

Related parameters

Pr. 4 to Pr. 6, Pr. 24 to Pr.27, Pr. 232 to Pr. 239 (multi-speed operation)
Pr. 59 "remote setting function selection"
Pr. 73 "0-5V/0-10V selection"

By entering a compensation signal into the frequency setting auxiliary input terminal 1 (Note 2), the speeds (frequencies) of multi-speed settings or the speed setting made by remote setting function can be compensated for.

Parameter Number	Factory Setting	Setting Range	Remarks
28	0	0, 1	0: Not compensated, 1: Compensated

Note: 1. Use Pr. 73 to select the compensation input voltage between 0 to ±5V and 0 to ±10V.
2. When any of "4, 5, 14 and 15" is set in Pr. 73, the compensation signal is entered into terminal 2. (Override functions)

4.2.14 Acceleration/deceleration pattern (Pr. 29, Pr. 140 to Pr. 143)

Pr. 29 "acceleration/deceleration pattern"

Pr. 140 "backlash acceleration stopping frequency"

Pr. 141 "backlash acceleration stopping time"

Pr. 142 "backlash deceleration stopping frequency"

Pr. 143 "backlash deceleration stopping time"

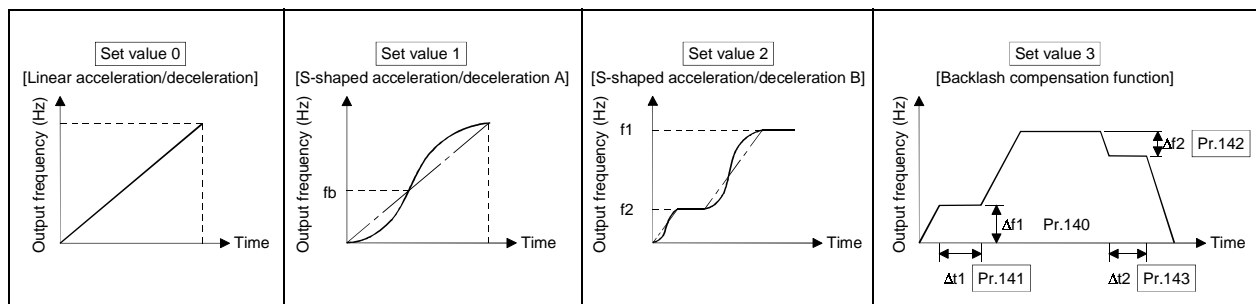
Related parameters

- Pr. 3 "base frequency"
- Pr. 7 "acceleration time"
- Pr. 8 "deceleration time"
- Pr. 20 "acceleration/deceleration reference frequency"
- Pr. 44 "second acceleration/ deceleration time"
- Pr. 45 "second deceleration time"
- Pr. 110 "third acceleration/ deceleration time"
- Pr. 111 "third deceleration time"

Set the acceleration/deceleration pattern.

Also, you can suspend acceleration/deceleration at set frequencies and for the time period set in the parameters.

Parameter Number	Factory Setting	Setting Range	Remarks
29	0	0, 1, 2, 3	3: Backlash compensation
140	1.00Hz	0 to 400Hz	Valid when Pr. 29 = 3.
141	0.5 s	0 to 360 s	Valid when Pr. 29 = 3.
142	1.00Hz	0 to 400Hz	Valid when Pr. 29 = 3.
143	0.5 s	0 to 360 s	Valid when Pr. 29 = 3.



<Setting>

Pr. 29 Setting	Function	Description
0	Linear acceleration/ deceleration	Linear acceleration/deceleration is made up/down to the preset frequency (factory setting).
1	S-shaped acceleration/ deceleration A (Note 1)	For machine tool spindles This setting is used when it is necessary to make acceleration/deceleration in a short time up to the 60Hz or higher speed range. In this acceleration/deceleration pattern, f_b (base frequency) is always the inflection point of an S shape, and you can set the acceleration/deceleration time according to the reduction in motor torque in the 60Hz or higher constant-output operation range.
2	S-shaped acceleration/ deceleration B	Prevention of cargo collapse on conveyor, etc. This setting provides S-shaped acceleration/deceleration from f_2 (current frequency) to f_1 (target frequency), easing an acceleration/deceleration shock. This pattern has an effect on the prevention of cargo collapse, etc.
3	Backlash compensation (Note 2, 3)	Backlash compensation for reduction gear, etc. This function stops the speed change temporarily during acceleration/deceleration, reducing a shock generated when a reduction gear backlash is eliminated suddenly. Use Pr. 140 to Pr. 143 to set the stopping times and stopping frequencies in accordance with the above diagrams.

Note: 1. For the acceleration/deceleration time, set the time required to reach the "base frequency" in Pr. 3, not the "acceleration/deceleration reference frequency" in Pr. 20. For details, refer to Pr. 7 and Pr. 8.
 2. Pr. 140 to Pr. 143 is accessible when "3" is set in Pr. 29.
 3. The acceleration/deceleration time is increased by the stopping time.

4.2.15 Regenerative brake duty (Pr. 30, Pr. 70)

Pr. 30 "regenerative function selection"

Pr. 70 "special regenerative brake duty"

Related parameters

Pr. 180 to Pr. 186
(Input terminal function selection)

- When making frequent starts/stops with a 7.5K or less inverter, use the optional "high-duty brake resistor" (FR-ABR) to increase the regenerative brake duty.
- Use the optional "high power factor converter (FR-HC)" to reduce harmonics, improve the power factor, or continue the regenerative mode.

Parameter Number	Factory Setting	Setting Range	Remarks
30	0	0 to 2	
70	0%	0 to 15%	0.4K to 1.5K
		0 to 30%	2.2K to 7.5K
		0%	11K or more

<Setting>

(1) When using the built-in brake resistor, brake unit, power return converter

- Set "0" in Pr. 30.
The Pr. 70 setting is made invalid.
At this time, the regenerative brake duty is as follows:
 - *FR-A520-0.4K to 3.7K3%
 - *FR-A520-5.5K to 7.5K2%
 - *FR-A540-0.4K to 7.5K2%

(2) When using the high-duty brake resistor (FR-ABR)

- Set "1" in Pr. 30.
- Set "10%" in Pr. 70.

(3) When using the high power factor converter (FR-HC) or power regeneration common converter (FR-CV)

- 1) Set "2" in Pr. 30.
- 2) Use any of Pr. 180 to Pr. 186 to assign the following signals to the contact input terminals.
 - X10: FR-HC connection (inverter operation enable signal) (Note 3)
To make protective coordination with the high power factor converter (FR-HC) or power regeneration common converter (FR-CV), use the inverter operation enable signal to shut off the inverter output. Enter the RDY signal of the high power factor converter or the RDYB signal of the power regeneration common converter.
 - X11: FR-HC connection (instantaneous power failure detection signal)
When the computer link plug-in option (FR-A5NR) is used and the setting is made to hold the pre-instantaneous power failure mode, use this signal to hold that mode. Enter the instantaneous power failure detection signal of the high power factor converter.
- 3) The Pr. 70 setting is made invalid.
 - * Set "10" and "11" in any of Pr. 180 to Pr. 186 to allocate the terminals used to input the X10 and X11 signals.

Note: 1. The Pr. 70 setting is invalid for the inverter of 11K or more.
 2. Pr. 70 "regenerative brake duty" indicates the %ED of the built-in brake transistor operation. Its setting should not be higher than the setting of the brake resistor used. Otherwise, the brake resistor can overheat.
 3. The X10 signal may be replaced by the MRS signal.
 4. When terminal assignment is changed using Pr. 180 to Pr. 186, the other functions may be affected. Check the functions of the corresponding terminals before making setting.



WARNING

⚠ The Pr. 70 setting must not exceed the setting of the brake resistor used. Otherwise, the brake resistor can overheat.

4.2.16 Frequency jump (Pr. 31 to Pr. 36)

Pr. 31 "frequency jump 1A"

Pr. 32 "frequency jump 1B"

Pr. 33 "frequency jump 2A"

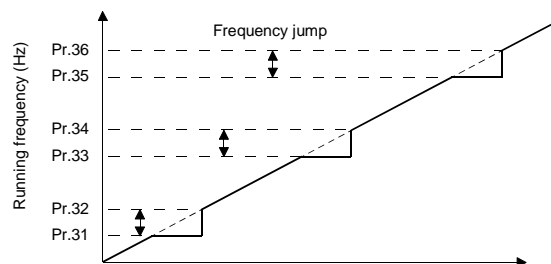
Pr. 34 "frequency jump 2B"

Pr. 35 "frequency jump 3A"

Pr. 36 "frequency jump 3B"

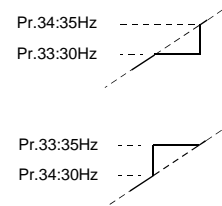
- When it is desired to avoid resonance attributable to the natural frequency of a mechanical system, these parameters allow resonant frequencies to be jumped. Up to three areas may be set, with the jump frequencies set to either the top or bottom point of each area.
- The value set to 1A, 2A or 3A is a jump point and operation is performed at this frequency.

Parameter Number	Factory Setting	Setting Range	Remarks
31	9999	0 to 400Hz, 9999	9999: Function invalid
32	9999	0 to 400Hz, 9999	9999: Function invalid
33	9999	0 to 400Hz, 9999	9999: Function invalid
34	9999	0 to 400Hz, 9999	9999: Function invalid
35	9999	0 to 400Hz, 9999	9999: Function invalid
36	9999	0 to 400Hz, 9999	9999: Function invalid



<Setting>

- To fix the frequency at 30Hz between Pr. 33 and Pr. 34 (30Hz and 35Hz), set 35Hz in Pr. 34 and 30Hz in Pr. 33.
- To jump to 35Hz between 30 and 35Hz, set 35Hz in Pr. 33 and 30Hz in Pr. 34.



Note: 1. During acceleration/deceleration, the running frequency within the set area is valid.

4.2.17 Speed display (Pr. 37, Pr. 144)

Pr. 37 "speed display"

Pr. 144 "speed setting switch-over"

Related parameters

Pr. 52 "DU/PU main display data selection"
Pr. 53 "PU level display data selection"
Pr. 80 "motor capacity"
Pr. 81 "number of motor poles"

The units of the running speed monitor display of the PU (FR-DU04/FR-PU04), the running speed setting in the PU operation mode, and the parameter setting unit used for frequency setting can be changed from the frequency to the motor speed or machine speed.

Parameter Number	Factory Setting	Setting Range	Remarks
37	0	0, 1 to 9998	0: Frequency setting added
144	4	0, 2, 4, 6, 8, 10, 102, 104, 106, 108, 110	

<Setting>

- To display the machine speed, set in Pr. 37 the machine speed for 60Hz operation.
- To display the motor speed, set the number of motor poles (2, 4, 6, 8, 10) or the number of motor poles plus 100 (102, 104, 106, 108, 110) in Pr. 144.
- When values have been set in both Pr. 37 and Pr. 144, priority is as follows:
Pr. 144 = 102 to 110 > Pr. 37 = 1 to 9998 > Pr. 144 = 2 to 10
Hence, the shaded settings in the following list become valid.
- When the running speed monitoring has been selected, the parameter setting unit and the running speed setting unit in the PU operation mode depend on the combination of the Pr. 37 and Pr. 144 settings as indicated below:

Running Speed Monitor Display	Parameter Setting Unit Running Speed Setting Unit	Pr. 37 Setting	Pr. 144 Setting
Speed of 4-pole motor (r/min)	Hz	0	0
Motor speed (r/min)		0	2 to 10
	Machine speed	1 to 9998	102 to 110
Hz		0	102 to 110
Machine speed	r/min	1 to 9998	0
	r/min	1 to 9998	2 to 10

- Note: 1. In the V/F control mode, the motor speed is converted from the output frequency and does not match the actual speed. When the advanced magnetic flux vector control mode has been selected in Pr. 80 and 81, this display shows the calculated speed (estimated value found by motor slippage calculation).
2. During encoder feedback control, the data displayed is the same as in advanced magnetic flux vector control. Note that the speed displayed is the actual speed from the encoder.
3. When the running speed display has been selected with "0" set in Pr. 37 and "0" in Pr. 144, the monitor display shows the number of motor poles for a 4-pole motor (1800r/min is displayed at 60Hz).
4. To change the PU main monitor (PU main display) or PU level meter (PU level display), refer to Pr. 52 and Pr. 53.
5. As the operation panel display is 4 digits, "----" is displayed when the monitored value exceeds "9999".

CAUTION

-  **Make sure that the running speed and number of motor poles set are correct. Otherwise, the motor might run at extremely high speed, damaging the machine.**

4.2.18 Up-to-frequency sensitivity (Pr. 41)

Pr. 41 "up-to-frequency sensitivity"

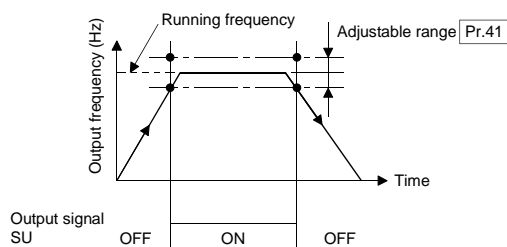
Related parameters

Pr. 190 to Pr. 195
(output terminal function selection)

The ON range of the up-to-frequency signal (SU) output when the output frequency reaches the running frequency can be adjusted between 0 and $\pm 100\%$ of the running frequency.

This parameter can be used to confirm that the running frequency has been reached or used as the operation start signal etc. for related equipment.

Parameter Number	Factory Setting	Setting Range
41	10%	0 to 100%



Note: Changing the terminal assignment with any of Pr. 190 to Pr. 195 may affect the other functions. Make setting after checking the functions of the corresponding terminals.

4.2.19 Output frequency detection (Pr. 42, Pr. 43, Pr. 50, Pr. 116)

Related parameters

Pr. 190 to Pr. 195
(output terminal function selection)

Pr. 42 "output frequency detection"

Pr. 43 "output frequency detection for reverse rotation"

Pr. 50 "second output frequency detection"

Pr. 116 "third output frequency detection"

The output frequency signal (FU, FU2, FU3) is output when the output frequency reaches or exceeds the setting. This function can be used for electromagnetic brake operation, open signal, etc.

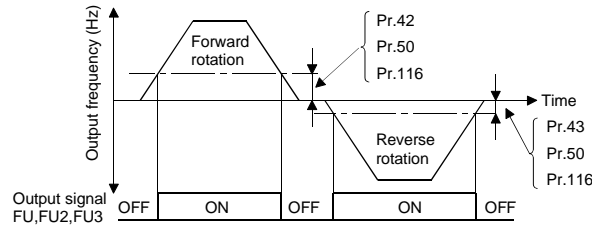
- You can also set the detection of the frequency used exclusively for reverse rotation. This function is effective for changing the timing of electromagnetic brake operation between forward rotation (rise) and reverse rotation (fall) during vertical lift operation, etc.

Parameter Number	Factory Setting	Setting Range	Remarks
42	6Hz	0 to 400Hz	
43	9999	0 to 400Hz, 9999	9999: Same as Pr. 42 setting
50	30Hz	0 to 400Hz	
116	9999	0 to 400Hz, 9999	9999: Function invalid

<Setting>

Refer to the figure below and set the corresponding parameters:

- When Pr. 43 ≠ 9999, the Pr. 42 setting applies to forward rotation and the Pr. 43 setting applies to reverse rotation.



Output Signal

Parameter Number	Output Signal
42	FU
43	
50	FU2
116	FU3

Use Pr. 190 to Pr. 195 to assign the terminals used to output the FU2 and FU3 signals.

Note: 1. When the plug-in option unit is used to exercise encoder feedback control, use the RUN (running) signal. (If the FU, FU2 or FU3 signal is used, the brake may not be opened.)
 2. Changing the terminal assignment with any of Pr. 190 to Pr. 195 may affect the other functions. Make setting after checking the functions of the corresponding terminals.

Pr. 44, Pr. 45 → Refer to Pr. 7.

Pr. 46 → Refer to Pr. 0.

Pr. 47 → Refer to Pr. 3.

4.2.20 Second/third stall prevention (Pr. 48, Pr. 49, Pr. 114, Pr. 115)

Pr. 48 "second stall prevention operation current"

Pr. 49 "second stall prevention operation frequency"

Pr. 114 "third stall prevention operation current"

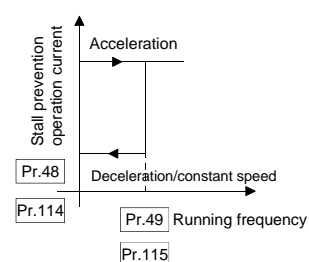
Pr. 115 "third stall prevention operation frequency"

Related parameters

- Pr. 22 "stall prevention operation level"
- Pr. 23 "stall prevention operation level compensation factor at double speed"
- Pr. 66 "stall prevention operation level reduction starting frequency"
- Pr. 154 "voltage reduction selection during stall prevention operation"
- Pr. 180 to Pr. 186 (input terminal function selection)

- The stall prevention operation level can be changed within the range from 0Hz to the frequency set in Pr. 49 or Pr. 115.
- The stall prevention operation level can be changed by switching the external input signal on-off.

Parameter Number	Factory Setting	Setting Range
48	150%	0 to 200%
49	0	0 to 400Hz, 9999
114	150%	0 to 200%
115	0	0 to 400Hz



<Setting>

- Set the stall prevention operation level in Pr. 48 and Pr. 114.
- Refer to the following list to set values in Pr. 49 and Pr. 115.
- Pr. 114 and Pr. 115 are made valid by switching on the X9 signal. Set "9" in any of Pr. 180 to Pr. 186 to allocate the terminal used to input the X9 signal.

Pr. 49 Setting	Pr. 115 Setting	Operation
	0	Second (third) stall prevention function is not activated.
	0.01Hz to 400Hz	Second (third) stall prevention function is activated according to the frequency.
9999	Cannot be set.	Second stall prevention function is activated according to the RT signal. RT signal ON..... Stall level Pr. 48 RT signal OFF..... Stall level Pr. 22

Note: 1. When Pr. 49 = "9999", setting "0" in Pr. 48 disables the stall prevention function when the RT signal switches on. When Pr. 49 ≠ "9999" and Pr. 48 = "0", the stall prevention operation level is 0% when the frequency is equal to or less than the value set in Pr. 49.


2. When the stall prevention operation level signal input function is selected (Pr. 22 = 9999), setting "9999" in Pr. 49 changes the stall prevention operation level from the value of the stall prevention operation level signal (terminal 1 input) to the value set in Pr. 48 when the RT signal switches on.

3. When both the RT and X9 signals are on, the third stall prevention function is selected.

4. When the RT (X9) signal is on, the second (third) functions such as second (third) acceleration/ deceleration time are also selected.

5. When terminal assignment is changed using Pr. 180 to Pr. 186, the other functions may be affected. Check the functions of the corresponding terminals before making setting.

 **CAUTION**

 Do not set a too small value to the second (third) stall prevention operation current. Otherwise, torque generated will decrease.

Pr. 50 → Refer to Pr. 42.

4.2.21 Monitor display/FM, AM terminal function selection (Pr. 52 to Pr. 54, Pr. 158)

Pr. 52 "DU/PU main display data selection"

Pr. 53 "PU level display data selection"

Pr. 54 "FM terminal function selection"

Pr. 158 "AM terminal function selection"

— Related parameters —

- Pr. 37 "speed display"
- Pr. 55 "frequency monitoring reference"
- Pr. 56 "current monitoring reference"
- Pr. 170 "watt-hour meter clear"
- Pr. 171 "actual operation hour meter clear"
- Pr. 900 "FM terminal calibration"
- Pr. 901 "AM terminal calibration"

- You can select the signals shown on the operation panel (FR-DU04)/parameter unit (FR-PU04) main display screen and on the parameter unit (FR-PU04) level meter and signals output to the FM and AM terminals.
- There are two different signal outputs: FM pulse train output terminal and AM analog output terminal. Select the signals using Pr. 54 and Pr. 158.

Parameter Number	Factory Setting	Setting Range
52	0	0 to 20, 22 to 25, 100
53	1	0 to 3, 5 to 14, 17, 18
54	1	1 to 3, 5 to 14, 17, 18, 21
158	1	1 to 3, 5 to 14, 17, 18, 21

<Setting>

Set Pr. 52 to Pr. 54 and Pr. 158 in accordance with the following table:

Signal Type	Display Unit	Parameter Setting					Full-Scale Value of FM, AM, Level Meter
		Pr.52		Pr.53	Pr.54	Pr.158	
		DU LED	PU main monitor	PU level meter	FM terminal	AM terminal	
No display	—	×	×	0	×	×	—
Output frequency	Hz	0/100	0/100	1	1	1	Pr. 55
Output current	A	0/100	0/100	2	2	2	Pr. 56
Output voltage	V	0/100	0/100	3	3	3	400V or 800V
Alarm display	—	0/100	0/100	×	×	×	—
Frequency setting	Hz	5	*	5	5	5	Pr. 55
Running speed	r/min	6	*	6	6	6	Pr. 55 value converted into Pr. 37 value
Motor torque	%	7	*	7	7	7	Rated torque of applied motor × 2
Converter output voltage	V	8	*	8	8	8	400V or 800V
Regenerative brake duty	%	9	*	9	9	9	Pr. 70
Electronic overcurrent protection load factor	%	10	*	10	10	10	Protection operation level
Output current peak value	A	11	*	11	11	11	Pr. 56
Converter output voltage peak value	V	12	*	12	12	12	400V or 800V
Input power	kW	13	*	13	13	13	Rated power of inverter rating × 2
Output power	kW	14	*	14	14	14	Rated power of inverter rating × 2
Input terminal status	—	×	*	×	×	×	—
Output terminal status	—	×	*	×	×	×	—
Load meter **	%	17	17	17	17	17	Pr. 56
Motor excitation current	A	18	18	18	18	18	Pr. 56
Position pulse	—	19	19	×	×	×	—
Cumulative operation time	h	20	20	×	×	×	—
Reference voltage output	—	×	×	×	21	21	1440Hz is output to FM terminal. Full-scale voltage is output to AM terminal.
Orientation status	—	22	22	×	×	×	—
Actual operation time	h	23	23	×	×	×	—
Motor load factor	%	24	24	×	×	×	Rated inverter current × 2
Cumulative power	kWh	25	25	×	×	×	—

When 100 is set in Pr. 52, the monitored values during stop and during operation differ as indicated below: (The LED on the left of Hz flickers during a stop and is lit during running.)

	Pr. 52		
	0	100	
	During operation/during stop	During stop	During operation
Output frequency	Output frequency	Set frequency	Output frequency
Output current	Output current		
Output voltage	Output voltage		
Alarm display	Alarm display		

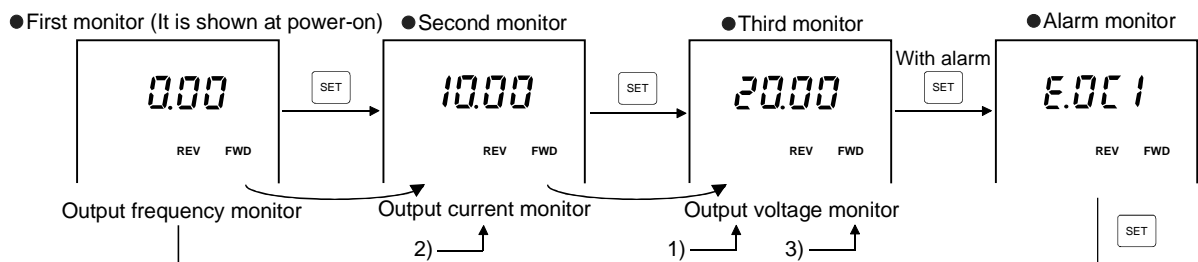
- Note: 1. During an error, the output frequency at error occurrence is displayed.
 2. During MRS, the values are the same as during a stop. During offline auto tuning, the tuning status monitor has priority.

- Note:
- The monitoring of items marked cannot be selected.
 - By setting "0" in Pr. 52, the monitoring of "output frequency to alarm display" can be selected in sequence by the key.
 - **Frequency setting to output terminal status" on the PU main monitor are selected by "other monitor selection" of the parameter unit (FR-PU04).
 - **The load meter is displayed in %, with the current set in Pr. 56 regarded as 100%.
 - The motor torque display is valid only in the advanced magnetic flux vector control mode.
 - The actual operation time displayed by setting "23" in Pr. 52 is calculated using the inverter operation time. (Inverter stop time is not included.) Set "0" in Pr. 171 to clear it.
 - When Pr. 53 = "0", the level meter display of the parameter unit can be erased.
 - By setting "1, 2, 5, 6, 11, 17 or 18" in Pr. 53, the full-scale value can be set in Pr. 55 or Pr. 56.
 - The cumulative operation time and actual operation time are calculated from 0 to 65535 hours, then cleared, and recalculated from 0.
When the operation panel (FR-DU04) is used, the display shows "----" after 9999 or more hours have elapsed. Whether 9999 or more hours have elapsed or not can be confirmed on the parameter unit (FR-PU04).
 - The actual operation time is not calculated unless the inverter has operated for longer than one hour continuously.
 - When the operation panel (FR-DU04) is used, the display unit is Hz, V or A only.
 - Position pulse and orientation status function when the FR-A5AP option is used. If the option is not used, "19" or "22" may be set in Pr. 52 and the value displayed remains "0" and the function is invalid.
 - The cumulative power is accumulated from 0 to 99999kWh, then cleared, and accumulated again from 0.
When the operation panel (FR-DU04) is used, the display shows "----" after 9999 or more hours have elapsed. Whether 9999 or more hours have elapsed or not can be confirmed on the parameter unit (FR-PU04).

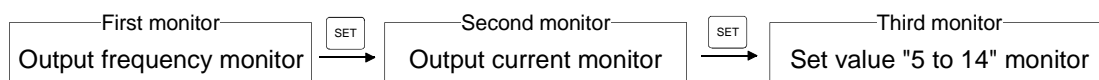
REMARKS

For the monitor set in Pr. 52, its display position depends on the set value.

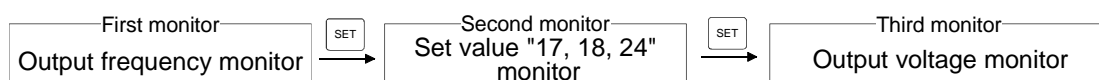
*The monitor displayed at powering on is the first monitor. Refer to page 54 for the setting method of the first monitor.



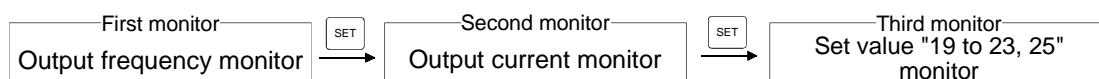
1) For the set value "5 to 14", values are displayed at the third monitor position.



2) For the set value "17, 18, 24", values are displayed instead of output current monitor.



3) For the set value "19 to 23, 25", values are displayed instead of output voltage monitor.



4.2.22 Monitoring reference (Pr. 55, Pr. 56)

Pr. 55 "frequency monitoring reference"

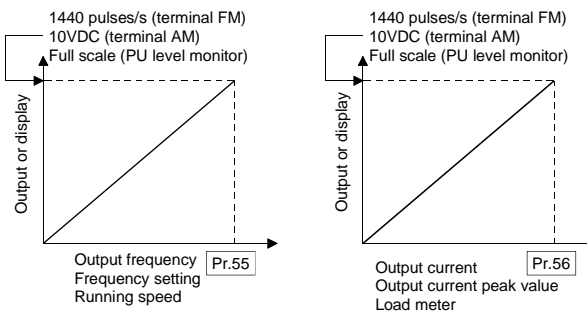
Pr. 56 "current monitoring reference"

Related parameters

- Pr. 37 "speed display"
- Pr. 53 "PU level display data selection"
- Pr. 54 "FM terminal function selection"
- Pr. 158 "AM terminal function selection"
- Pr. 900 "FM terminal calibration"
- Pr. 901 "AM terminal calibration"

Set the frequency or current which is referenced for display when the frequency or current is selected for the FM and AM terminals and PU level meter display.

Parameter Number	Factory Setting	Setting Range
55	60Hz	0 to 400Hz
56	Rated output current	0 to 500A



<Setting>

Referring to the above figures and following table, set Pr. 55 and Pr. 56:

Monitoring Reference Setting Parameter	Monitored Data Selection	PU Level Display Selection Pr. 53 Setting	FM Terminal Function Selection Pr. 54 Setting	AM Terminal Function Selection Pr. 158 Setting
Frequency monitoring reference Pr. 55	Output frequency (Hz)	1	1	1
	Frequency setting (Hz)	5	5	5
	Running speed (Pr. 37)	6	6	6
Current monitoring reference Pr. 56	Output current (A)	2	2	2
	Output current peak value (A)	11	11	11
	Load meter (A)	17	17	17
	Motor excitation current (A)	18	18	18
Setting using Pr. 55, Pr. 56		Set to make the PU level meter indication to be in full-scale.	Set to make the terminal FM pulse train output to be 1440 pulses/s.	Set to make the terminal AM output voltage to be 10V.

- Note: 1. The maximum pulse train output of terminal FM is 2400 pulses/s. If Pr. 55 is not adjusted, the output of terminal FM will be filled to capacity. Therefore, adjust Pr. 55.
 2. The maximum output voltage of terminal AM is 10VDC.

4.2.23 Automatic restart after instantaneous power failure (Pr. 57, Pr. 58, Pr. 162, Pr. 165, Pr. 611)

Pr. 57 "restart coasting time"

Pr. 58 "restart cushion time"

Pr. 162 "automatic restart after instantaneous power failure selection"

Pr. 163 "first cushion time for restart"

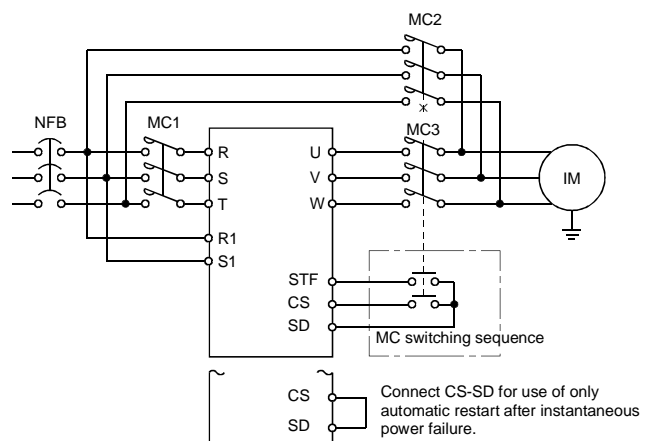
Pr. 164 "first cushion voltage for restart"

Pr. 165 "restart stall prevention operation level"

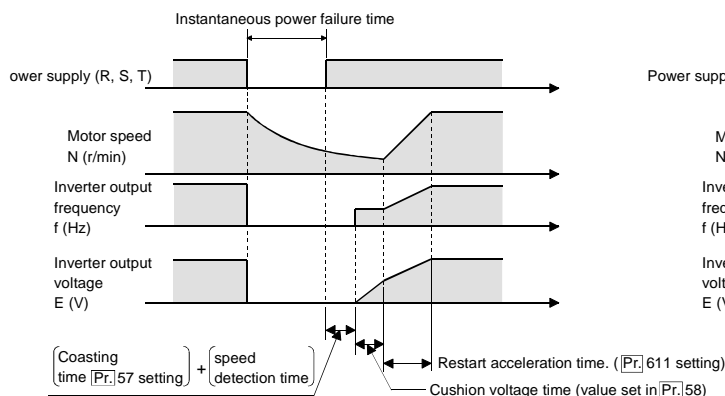
Pr. 611 "restart acceleration time"

- You can restart the inverter without stopping the motor (with the motor coasting) when the commercial power supply is switched to the inverter operation or when the power is restored after an instantaneous power failure. (When automatic restart operation is set to be enabled, restart after instantaneous power failure is performed without outputting alarm output signals, E.UVT (under voltage protection) and E.IPF (instantaneous power failure protection), at occurrence of an instantaneous power failure.

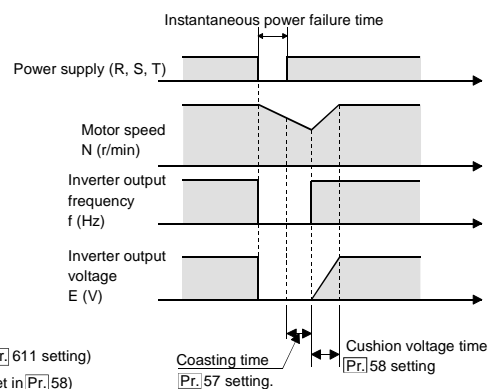
Parameter Number	Factory Setting	Setting Range	Remarks
57	9999	0, 0.1 to 5 s, 9999	9999: No restart
58	1.0 s	0 to 60 s	
162	0 s	0, 1	0: Frequency search 1: No frequency search
163	0 s	0 to 20 s	
164	0%	0 to 100%	
165	150%	0 to 200%	
611	5.0s	0 to 3600s, 9999	



When Pr. 162=0 (with frequency search)



When Pr. 162=1 (without frequency search)



<Setting>

Refer to the above figures and following table, and set the parameters:

Parameter Number	Setting	Description		
162	0	Frequency search made Frequency search is made after detection of an instantaneous power failure.		
	1	No frequency search Independently of the motor coasting speed, the output voltage is gradually increased with the frequency kept as preset.		
57	0	0.4K to 1.5K	Generally use this setting.	
		2.2K to 7.5K		1.0 s coasting time
		11K or more		3.0 s coasting time
	0.1 to 5s	Waiting time for inverter-triggered restart after power is restored from an instantaneous power failure. (Set this time between 0.1 s and 5 s according to the moment of inertia (J) and torque of the load.)		
	9999	No restart		
58	0 to 60 s	Normally the motor may be run with the factory settings. These values are adjustable to the load (moment of inertia, torque).		
163	0 to 20 s			
164	0 to 100%			
165	0 to 200%			
611	0 to 3600s	Set the acceleration time taken to reach the set frequency at a restart.		
	9999	Acceleration time at a restart is determined by the Pr. 7, Pr. 44 or Pr. 110 setting.		

- Note:
- When restart operation is selected, UVT and IPF among the alarm output signals are not output at occurrence of an instantaneous power failure.
 - When Pr. 162 = "0" (with speed search), the inverter may not start due to overcurrent (OCT) alarm if the inverter capacity is two rank or more larger than the motor capacity.
 - When Pr. 57 ≠ 9999, the inverter will not run if the CS signal remain off.
 - When Pr. 162 = "0", connection of two or more motors to one inverter will make the inverter function improperly. (The inverter will not start properly.)
 - When Pr. 162 = "0", the DC injection brake is operated instantly on detection of restarting speed. Therefore, if the moment of inertia (J) of the load is small, the speed may reduce.
 - When Pr. 162 = "1", the output frequency before an instantaneous power failure is stored and output at the time of restart. If the power of the inverter control circuit is lost, the frequency before an instantaneous power failure cannot be stored and the inverter will start at 0Hz.
 - The SU and FU signals are not output during restart but are output after the restart cushion time has elapsed.
 - Changing the Pr. 21 "acceleration / deceleration time increments" setting will not change the Pr. 611 setting increments.
 - The speed also increases according to the Pr. 611 setting after frequency search at the retry time by the retry function. Refer to page 103 for retry function.
 - Note that when copying parameters to the inverter without this function, copying Pr. 611 = "9999" greatly increases acceleration time to 6553.5s.
If accidentally copied, set parameters again in the following procedure.
 - Pr. 77 = "0" → "801"
 - Pr. 611 = "6553.5" → "5"
 - Pr. 77 = "801" → "0"

⚠ CAUTION

- ⚠ Provide mechanical interlocks for MC1 and MC2.
The inverter will be damaged if power is entered into the inverter output section.
- ⚠ When automatic restart after instantaneous power failure has been selected, the motor and machine will start suddenly (after the reset time has elapsed) after occurrence of an instantaneous power failure. Stay away from the motor and machine.
When you have selected automatic restart after instantaneous power failure, apply the supplied CAUTION seals in easily visible places.

4.2.24 Remote setting function selection (Pr. 59)

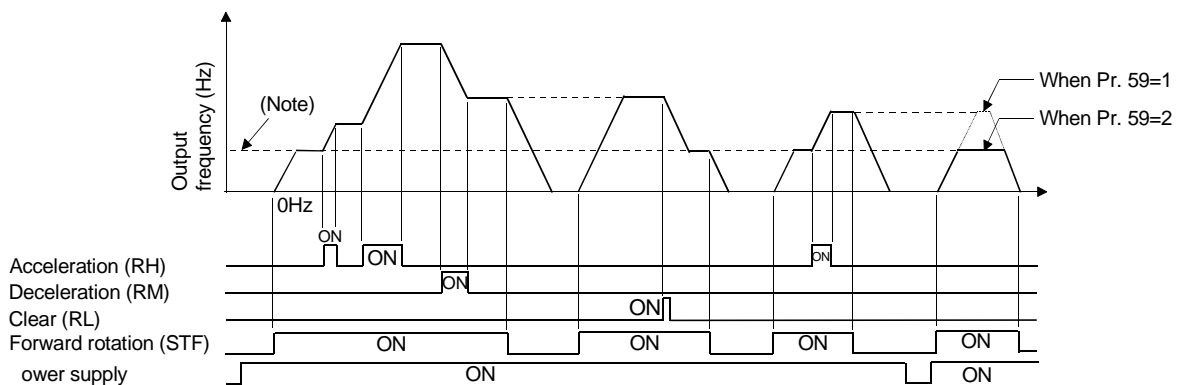
Pr. 59 "remote setting function selection"

- Related parameters
- Pr. 1 "maximum frequency"
 - Pr. 7 "acceleration time"
 - Pr. 8 "deceleration time"
 - Pr. 18 "high-speed maximum frequency"
 - Pr. 28 "multi-speed input compensation"
 - Pr. 44 "second acceleration/deceleration time"
 - Pr. 45 "second deceleration time"

If the operator panel is located away from the control box, you can use contact signals to perform continuous variable-speed operation, without using analog signals.

- By merely setting this parameter, you can use the acceleration, deceleration and setting clear functions of the motorized speed setter (FR-FK).
- When the remote function is used, the output frequency of the inverter can be compensated for as follows:
 External operation mode Frequency set by RH/RM operation plus external running frequency other than multi-speed
 PU operation mode Frequency set by RH/RM operation plus PU running frequency

Parameter Number	Factory Setting	Setting Range
59	0	0, 1, 2



Note: External running frequency or PU running frequency other than multi-speed

Pr. 59 Setting	Operation	
	Remote setting function	Frequency setting storage function (E ² PROM)
0	No	—
1	Yes	Yes
2	Yes	No

Use Pr. 59 to select whether the remote setting function is used or not and whether the frequency setting storage function* is used or not. When "remote setting function - yes" is selected, the functions of terminals RH, RM and RL are changed to acceleration (RH), deceleration (RM) and clear (RL).

* Frequency setting storage function

The remote setting frequency (frequency set by RH, RM operation) is stored into memory. When power is switched off once, then on again, operation is resumed at this setting of the output frequency. (Pr. 59=1)
 <Frequency setting storage condition>

- Frequency at the time when the start signal (STF or STR) has switched off
- The remotely-set frequency is stored every one minute after one minute has elapsed since turn off (on) of both the RH (acceleration) and RM (deceleration) signals. (The frequency is written if the present frequency value compared with the past frequency value every one minute is different.) (The state of the RL signal does not affect writing.)

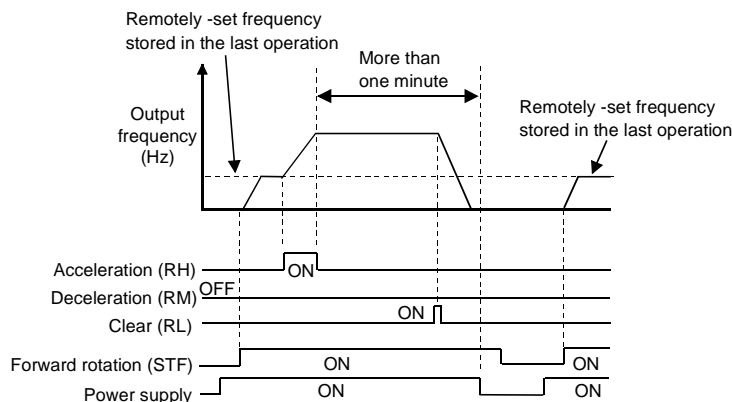
- Note:
1. The frequency can be varied by RH (acceleration) and RM (deceleration) between 0 and the maximum frequency (Pr. 1 or Pr. 18 setting).
 2. When the acceleration or deceleration signal switches on, the set frequency varies according to the slope set in Pr. 44 or Pr. 45. The output frequency acceleration/deceleration times are as set in Pr. 7 and Pr. 8, respectively. Therefore, the longer preset times are used to vary the actual output frequency.
 3. If the start signal (STF or STR) is off, switching on the acceleration (RH) or deceleration (RM) signal varies the set frequency.
 4. When making frequent on/off of the start signal and frequency changes by the RH and RM signals, set the frequency setting storage signal (write setting values into the E²PROM) invalid (Pr. 59 = "2").
When the signal is set valid (Pr. 59 = "1"), frequent writing of frequencies into the E²PROM will shorten the life of the E²PROM.

REMARKS

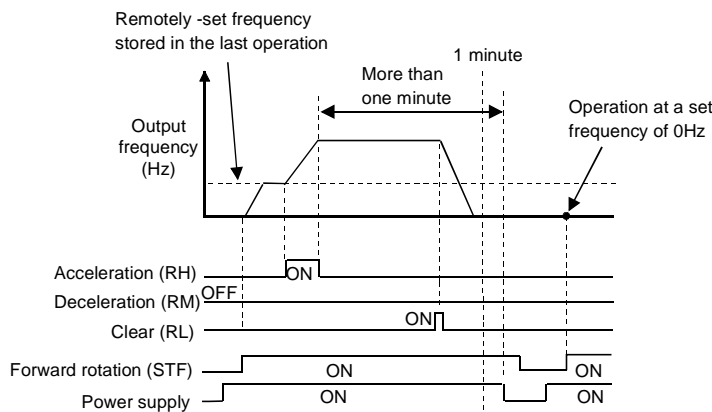
This function is invalid during jog operation and PID control operation.

When the set frequency is 0

- Even when the remotely-set frequency is cleared by turning on the RL (clear) signal after turn off (on) of both the RH and RM signals, the inverter operates at the remotely-set frequency stored in the last operation if power is reapplied before one minute has elapsed since turn off (on) of both the RH and RM signals.



- When the remotely-set frequency is cleared by turning on the RL (clear) signal after turn off (on) of both the RH and RM signals, the inverter operates at the frequency in the remotely-set frequency cleared state if power is reapplied after one minute has elapsed since turn off (on) of both the RH and RM signals.



CAUTION

⚠ When selecting this function, re-set the maximum frequency according to the machine.

4.2.25 Intelligent mode selection (Pr. 60)

Pr. 60 "intelligent mode selection"

Related parameters

Pr. 0 "torque boost"
 Pr. 7 "acceleration time"
 Pr. 8 "deceleration time"
 Pr. 13 "starting frequency"
 Pr. 19 "base frequency voltage"
 Pr. 80, Pr. 81
 (advanced magnetic flux vector control)
 Pr. 278 to Pr. 285
 (brake sequence functions)

The inverter automatically sets appropriate parameters for operation.

- If you do not set the acceleration and deceleration times and V/F pattern, you can run the inverter as if appropriate values had been set in the corresponding parameters. This operation mode is useful to start operation immediately without making fine parameter settings.
- If the intelligent operation mode has been selected, entry of the jog signal or RT (second function selection) signal during an inverter stop starts ordinary operation, with priority given to jog operation or second function selection. After a start in the intelligent operation mode, neither the JOG signal nor the RT signal is accepted.

Parameter Number	Factory Setting	Setting Range
60	0	0 to 8

<Setting>

Pr. 60 Setting	Operation Mode	Description	Automatically Set Parameters
0	Ordinary operation mode	_____	_____
1, 2	Shortest acceleration/ deceleration mode	Set to accelerate/decelerate the motor in the shortest time. The inverter makes acceleration/deceleration in the shortest time using its full capabilities. During deceleration, an insufficient brake capability may cause the regenerative overvoltage alarm (E.OV3). "1": Stall prevention operation level 150% "2": Stall prevention operation level 180%	Pr. 7, Pr. 8
3	Optimum acceleration/ deceleration mode (Note 2, 4)	Optimum operation can be carried out by fully utilizing the inverter capabilities in the continuous rating range. Self-learning automatically sets the corresponding parameters so that the average current during acceleration/deceleration is equal to the rated current. Appropriate for applications where the load will not vary by a large amount.	Pr. 0, Pr. 7, Pr. 8
4	Energy-saving mode (Note 3, 5)	Tunes the inverter output voltage online to minimize the inverter output voltage during constant-speed operation. Appropriate for energy-saving applications such as fan and pump.	Output voltage
5, 6	Elevator mode (Note 3)	Automatically controls the inverter output voltage to deliver the maximum torque in both the driving and regenerative modes. Appropriate for a counterbalanced elevator. "5": Stall prevention operation level 150% "6": Stall prevention operation level 180%	Pr. 0, Pr. 13, Pr. 19
7	Brake sequence mode	Mechanical brake opening completion signal input	_____
8		Mechanical brake opening completion signal not input	

This function causes the inverter to output the mechanical brake operation timing signal for elevating application. For function details and related parameter setting, refer to Pr. 278 to Pr. 285 (brake sequence functions).

- Note:
1. When more accurate control is required for your application, set the other parameters as appropriate.
 2. Because of the learning system, this control is not valid at the first time in the optimum acceleration/deceleration mode. Also, this mode is only valid for frequency setting of 30.01Hz or more.
 3. When the advanced magnetic flux vector control has been selected using Pr. 80 and Pr. 81, the settings of the energy-saving mode and elevator mode are ignored. (Advanced magnetic flux vector control has higher priority.)
 4. If an overvoltage (OV3) trip has occurred during operation in the optimum acceleration/deceleration mode (setting "3"), re-set Pr. 8 "deceleration time" to a larger value and restart operation in this mode.
 5. When the "energy-saving mode" (setting "4") is used to decelerate the motor to a stop, the deceleration time may be longer than the preset value. Also, overvoltage is more likely to occur in this mode as compared to the constant-torque load characteristics, therefore set the deceleration time to a larger value.

4.2.26 Acceleration/deceleration reference current (Pr. 61 to Pr. 64)

Pr. 61 "reference I for intelligent mode"

Pr. 62 "ref. I for intelligent mode accel."

Pr. 63 "ref. I for intelligent mode decel."

Pr. 64 "starting frequency for elevator mode"

Related parameters

Pr. 60 "intelligent mode selection"

- Set these parameters to improve performance in the intelligent mode.
- Pr. 61 to Pr. 64 are only valid when any of "1 to 6" is selected for Pr. 60.

Parameter Number	Factory Setting	Setting Range	Remarks
61	9999	0 to 500A, 9999	9999: Referenced from rated inverter current.
62	9999	0 to 200%, 9999	
63	9999	0 to 200%, 9999	
64	9999	0 to 200%, 9999	

<Setting>

(1) Pr. 61 "reference I for intelligent mode"

Setting	Reference Current
9999 (factory setting)	Referenced from rated inverter current
0 to 500A	Referenced from setting (rated motor current)

(2) Pr. 62 "ref. I for intelligent mode accel."

The reference current setting at acceleration can be changed.
(The reference value differs between the shortest acceleration/deceleration mode and optimum acceleration/deceleration mode.)

Setting	Reference Current	Remarks
9999 (factory setting)	150% (180%) is the limit value.	Shortest acceleration/deceleration mode
	100% is the optimum value.	Optimum acceleration/deceleration mode
0 to 200%	The setting of 0 to 200% is the limit value.	Shortest acceleration/deceleration mode
	The setting of 0 to 200% is the optimum value.	Optimum acceleration/deceleration mode

(3) Pr. 63 "ref. I for intelligent mode decel."

The reference current setting at deceleration can be changed.
(The reference value differs between the shortest acceleration/deceleration mode and optimum acceleration/deceleration mode.)

Setting	Reference Current	Remarks
9999 (factory setting)	150% (180%) is the limit value.	Shortest acceleration/deceleration mode
	100% is the optimum value.	Optimum acceleration/deceleration mode
0 to 200%	The setting of 0 to 200% is the limit value.	Shortest acceleration/deceleration mode
	The setting of 0 to 200% is the optimum value.	Optimum acceleration/deceleration mode

(4) Pr. 64 "starting frequency for elevator mode"

Setting	Reference Current
9999 (factory setting)	2Hz is the starting frequency.
0 to 10Hz	The setting of 0 to 10Hz is the starting frequency.

4.2.27 Retry function (Pr. 65, Pr. 67 to Pr. 69)

Pr. 65 "retry selection"

Pr. 67 "number of retries at alarm occurrence"

Pr. 68 "retry waiting time"

Pr. 69 "retry count display erasure"

When an alarm occurs, the retry function causes the inverter to automatically reset itself to make a restart and continue operation. You can select whether retry is made or not, alarms reset for retry, number of retries made, and waiting time.

When you have selected automatic restart after instantaneous power failure, restart operation is performed at the retry operation time which is the same of that of a power failure. (Refer to page 96 for restart function.)

Parameter Number	Factory Setting	Setting Range
65	0	0 to 5
67	0	0 to 10, 101 to 110
68	1 s	0 to 10 s
69	0	0

<Setting>

Use Pr. 65 to select alarms to be reset for retry.

Errors Reset for Retry	Setting					
	0	1	2	3	4	5
Display						
E.OC1	●	●		●	●	●
E.OC2	●	●		●	●	
E.OC3	●	●		●	●	●
E.OV1	●		●	●	●	
E.OV2	●		●	●	●	
E.OV3	●		●	●	●	
E.THM	●					
E.THT	●					
E.IPF	●				●	
E.UVT	●				●	
E.FIN						
E. BE	●				●	
E. GF	●				●	
E. LF						
E.OHT	●					
E.OLT	●				●	
E.OPT	●				●	
E.OP1	●				●	
E.OP2	●				●	
E.OP3	●				●	
E. PE	●				●	
E.PUE						
E.RET						
E.CPU						
E. 1						
E. 2						
E. 3						
E. 6						
E. 7						
E.MB1	●				●	
E.MB2	●				●	
E.MB3	●				●	
E.MB4	●				●	
E.MB5	●				●	
E.MB6	●				●	
E.MB7	●				●	
E.P24						
E.CTE						
E.ECT						
E.OSD	●				●	

Note: ● indicates the errors selected for retry.

- Use Pr. 67 to set the number of retries at alarm occurrence.

Pr. 67 Setting	Number of Retries	Alarm Signal Output
0	Retry is not made.	————
1 to 10	1 to 10 times	Not output.
101 to 110	1 to 10 times	Output

- Use Pr. 68 to set the waiting time from when an inverter alarm occurs until a restart in the range 0 to 10s.
- Reading the Pr. 69 value provides the cumulative number of successful restart times made by retry. The setting of "0" erases the cumulative number of times.

Note: 1. The cumulative number in Pr. 69 is incremented by "1" when retry operation is regarded as successful, i.e. when normal operation is continued without any alarm occurring during a period more than four times longer than the time set in Pr. 68.

2. If alarms occur consecutively within a period four times longer than the above waiting time, the operation panel (FR-DU04) may show data different from the most recent data or the parameter unit (FR-PU04) may show data different from the first retry data. The data stored as the error reset for retry is only that of the alarm which occurred the first time.

3. When an inverter alarm is reset at the restart time, the stored data of the electronic overcurrent protection, regeneration converter duty, etc. are not cleared. (Different from the power-on reset.)



CAUTION

When you have selected the retry function, stay away from the motor and machine unless required. They will start suddenly (after the reset time has elapsed) after occurrence of an alarm.
When you have selected the retry function, apply the supplied CAUTION seals in easily visible places.

Pr. 66 → Refer to Pr. 22.

Pr. 70 → Refer to Pr. 30.

4.2.28 Applied motor (Pr. 71)

Pr. 71 "applied motor"

Set the motor used.

Parameter Number	Factory Setting	Setting Range
71	0	0 to 8, 13 to 18, 20, 23, 24

<Setting>

- Refer to the following list and set this parameter according to the motor used.


Pr. 71 Setting	Thermal Characteristics of Electronic Overcurrent Protection		Motor	
			Standard	Constant Torque
0	Thermal characteristics matching a standard motor		<input type="radio"/>	
1	Thermal characteristics matching the Mitsubishi constant-torque motor			<input type="radio"/>
2	Thermal characteristics matching a standard motor 5-point flexible V/F characteristics (Refer to page 129)		<input type="radio"/>	
20	Thermal characteristics for advanced magnetic flux vector control of the Mitsubishi standard motor SF-JR4P (1.5kW or less)		<input type="radio"/>	
3	Standard motor	Select "offline auto tuning setting".	<input type="radio"/>	
13	Constant-torque motor			<input type="radio"/>
23	Mitsubishi general-purpose motor SF-JR4P (1.5kW or less)		<input type="radio"/>	
4	Standard motor	Read auto tuning data, settings can be changed.	<input type="radio"/>	
14	Auto tuning data can be read or set anew.			<input type="radio"/>
24	Mitsubishi general-purpose motor SF-JR4P (1.5kW or less)		<input type="radio"/>	
5	Standard motor	Star connection	<input type="radio"/>	
15	Constant-torque motor		Motor constants can be entered directly.	
6	Standard motor	Delta connection		<input type="radio"/>
16	Constant-torque motor			
7	Standard motor	Standard motor	<input type="radio"/>	
17	Constant-torque motor		Direct motor constant entry and offline auto tuning	
8	Standard motor	Delta connection		<input type="radio"/>
18	Constant-torque motor			

- For the 5.5K and 7.5K, the Pr. 0 and Pr. 12 settings are automatically changed depending on the Pr. 71 setting.

Pr. 71	0, 2, 3 to 8, 20, 23, 24	1, 13 to 18
Pr. 0	3%	2%
Pr. 12	4%	2%

- Note:
- When "8888" or "9999" is set in Pr. 19, "2" cannot be set in Pr. 71. To set "2" in Pr. 71, set the appropriate value (other than "8888" and "9999") in Pr. 19.
 - When "2" is set in Pr. 71, Pr. 100 to Pr. 109 are displayed on the parameter unit (FR-PU04). In other settings, if any of Pr. 100 to Pr. 109 settings is changed, the new setting is not displayed in the "Default parameter list" and "Set parameter list".
 - Refer to Pr. 96 for offline auto tuning.
 - Set any of "3, 7, 8, 13, 17 and 18" to perform offline auto tuning.

CAUTION

 Set this parameter correctly according to the motor used.
Incorrect setting may cause the motor to overheat and burn.

4.2.29 PWM carrier frequency (Pr. 72, Pr. 240)

Pr. 72 "PWM frequency selection"

Pr. 240 "Soft-PWM setting"

You can change the motor tone.

- By parameter setting, you can set whether to exercise the Soft-PWM control that changes the motor tone or select with or without long wiring mode.
- Soft-PWM control is a control system that changes the motor noise from a metallic tone into an unoffending tone.
- Surge voltage is suppressed regardless of wiring length in the long wiring mode. (When operating the 400V motor with wiring length of 40m or longer, select long wiring mode.)

Parameter	Factory Setting	Setting Range	Remarks
72	2	0 to 15	0 : 0.7kHz 15 : 14.5kHz
240	1	0, 1, 10, 11	—

<Setting>

- Refer to the following list and set the parameters:

Pr. 72 Setting	Description
0 to 15	PWM carrier frequency can be changed. The setting displayed is in [kHz]. Note that 0 indicates 0.7kHz and 15 indicates 14.5kHz.

Note: A decreased PWM carrier frequency will decrease noise and leakage currents from the inverter but increase the motor sound. Therefore, perform the reduction techniques. (Refer to page 38.)

Pr. 240 Setting	Description		
	Soft-PWM	Long wiring mode	Remarks
0	Invalid	Invalid	—
1	Valid when Pr. 72="0 to 5"	Invalid	—
10(Note)	Invalid	Valid	<ul style="list-style-type: none"> • When Pr. 72" PWM frequency selection"="0 or 1", PWM carrier frequency is 0.7kHz constant. • When Pr. 72" PWM frequency selection"="2 or more", PWM carrier frequency is 2kHz constant.
11(Note)	Valid	Valid	

Note: 1. Output voltage at the rated frequency decreases by 5V maximum.
 2. If you copied parameters to the previous version inverter (Pr. 240="10 or 11" is not available), set Pr. 240 again.
 3. Under vector control mode with the option (FR-A5AP), the long wiring mode is not activated even if it is selected.
 4. For the 400V class, use an inverter duty motor. (Using other motors may result in insulation deterioration of motors due to surge voltage independently of the Pr. 240 setting.)
 5. Values exceed 120Hz can not be written to Pr. 1 (Pr. 18) when Pr. 240="10 or 11". Similarly, "10 or 11" can not be written to Pr. 240 when the value set in Pr. 1 (Pr. 18) exceeds 120Hz.

4.2.30 Voltage input (Pr. 73)

Pr. 73 "0-5V/0-10V selection"

Related parameters

Pr. 22 "stall prevention operation level"
Pr. 903 "frequency setting voltage gain"
Pr. 905 "frequency setting current gain"

You can select the analog input terminal specifications, the override function and the function to switch between forward and reverse rotation depending on the input signal polarity.

Parameter Number	Factory Setting	Setting Range
73	1	0 to 5, 10 to 15

<Setting>

Pr. 73 Setting	Terminal AU Signal	Terminal 2 Input Voltage	Terminal 1 Input Voltage	Terminal 4 Input, 4 to 20mA	Override Function	Polarity Reversible		
0	OFF (No)	*0 to 10V	0 to ±10V	Invalid	×	No (Note 3)		
1		*0 to 5V	0 to ±10V					
2		*0 to 10V	0 to ±5V					
3		*0 to 5V	0 to ±5V					
4		0 to 10V	*0 to ±10V					
5		0 to 5V	*0 to ±5V		○			
10		*0 to 10V	0 to ±10V					
11		*0 to 5V	0 to ±10V					
12		*0 to 10V	0 to ±5V					
13		*0 to 5V	0 to ±5V					
14		0 to 10V	*0 to ±10V		×	Valid		
15		0 to 5V	*0 to ±5V					
0		ON (Yes)	Invalid		0 to ±10V	Yes *	×	No (Note 3)
1					0 to ±10V			
2					0 to ±5V			
3	0 to ±5V							
4	0 to 10V			Invalid				
5	0 to 5V							
10	Invalid		0 to ±10V	○				
11			0 to ±10V					
12			0 to ±5V					
13			0 to ±5V					
14			0 to 10V		Invalid		×	Valid
15	0 to 5V							

- Note: 1. The value of terminal 1 (frequency setting auxiliary input) is added to the main speed setting signal of terminal 2 or 4.
2. When override has been selected, terminal 1 or 4 is for the main speed setting and terminal 2 is for the override signal (50 to 150% at 0-5V or 0-10V). (If the main speed of terminal 1 or 4 is not input, compensation made by terminal 2 is made invalid.)
3. Indicates that a negative-polarity frequency command signal is not accepted.
4. To change the maximum output frequency at the input of the maximum frequency command voltage (current), use the frequency setting voltage (current) gain, Pr. 903 (Pr. 905). At this time, the command voltage (current) need not be input. Also, the acceleration/deceleration time, which is a slope up/down to the acceleration/deceleration reference frequency, is not affected by the change in Pr. 73 setting.
5. When the Pr. 22 setting is "9999", the value of terminal 1 is for the stall prevention operation level setting.
6. * indicates the main speed setting.

4.2.31 Input filter time constant (Pr. 74)

Pr. 74 "filter time constant"

You can set the input section's internal filter constant for an external voltage or current frequency setting signal.


- Effective for eliminating noise in the frequency setting circuit.
- Increase the filter time constant if steady operation cannot be performed due to noise. A larger setting results in lower response. (The time constant can be set between approximately 1ms to 1s with the setting of 0 to 8. A larger setting results in a larger filter time constant.)

Parameter Number	Factory Setting	Setting Range
74	1	0 to 8

4.2.32 Reset selection/PU disconnection detection/PU stop selection (Pr. 75)





Pr. 75 "reset selection/disconnected PU detection/PU stop selection"

You can select the reset input acceptance, PU (FR-DU04/FR-PU04) connector disconnection detection function and PU stop function.

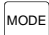
- Reset selection : You can select the reset function input timing.
- PU disconnection detection : When it is detected that the PU (FR-DU04/FR-PU04) connector is disconnected from the inverter for more than 1s, the inverter outputs an alarm code (E.PUE) and comes to an alarm stop.
- PU stop selection : When an alarm occurs in any operation mode, you can stop the motor from the PU by pressing the  key.



Parameter Number	Factory Setting	Setting Range
75	14	0 to 3, 14 to 17


<Setting>



Pr. 75 Setting	Reset Selection	PU Disconnection Detection	PU Stop Selection
0	Reset input normally enabled.	If the PU is disconnected, operation will be continued.	Pressing the  key decelerates the motor to a stop only in the PU operation mode.
1	Reset input enabled only when the protective function is activated.		
2	Reset input normally enabled.	When the PU is disconnected, the inverter output is shut off.	Pressing the  key decelerates the motor to a stop in any of the PU, external and communication operation modes.
3	Reset input enabled only when the protective function is activated.		
14	Reset input normally enabled.	If the PU is disconnected, operation will be continued.	Pressing the  key decelerates the motor to a stop in any of the PU, external and communication operation modes.
15	Reset input enabled only when the protective function is activated.		
16	Reset input normally enabled.	When the PU is disconnected, the inverter output is shut off.	Pressing the  key decelerates the motor to a stop in any of the PU, external and communication operation modes.
17	Reset input enabled only when the protective function is activated.		

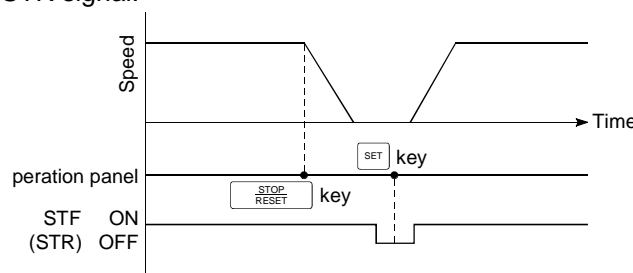
How to make a restart after a stop made by the key from the PU during external operation

- (1) Operation panel (FR-DU04)
 - 1) After completion of deceleration to a stop, switch off the STF or STR signal.
 - 2) Press the  key three times* to call the *OP.Nd* indication. (Note 8)

Note: When Pr. 79 = "3", press the  key three times to display *PU*, then press the  key and proceed to step 3).

(*: For monitor screen) Refer to page 53 for the monitor display provided by pressing the  key.

- 3) Press the  key.
- 4) Turn on the STF or STR signal.
- (2) Parameter unit (FR-PU04)
 - 1) After completion of deceleration to a stop, switch off the STF or STR signal.
 - 2) Press the  key.
 - 3) Switch on the STF or STR signal.



Stop and restart example for external operation

The other way of making a restart other than the above method is to perform a power-reset or to make a reset with the inverter reset terminal.

- Note:
1. By entering the reset signal (RES) during operation, the inverter shuts off output while it is reset, the data of the electronic overcurrent protection and regenerative brake duty are reset, and the motor coasts.
 2. The PU disconnection detection function judges that the PU connector is disconnected when it is removed from the inverter for more than 1s. If the PU had been disconnected before power-on, it is not judged as an alarm.
 3. To resume operation, reset the inverter after confirming that the PU is connected securely.
 4. When PU disconnection detection is set and the PU is then disconnected during PU jog operation, the motor decelerates to a stop. The motor will not stop if a PU disconnection alarm occurs.
 5. The Pr. 75 value can be set any time. Also, if parameter (all) clear is executed, this setting will not return to the initial value.
 6. When the motor is stopped by the PU stop function, PS is displayed but an alarm is not output. When the PU connector is used for RS-485 communication operation, the reset selection and PU stop selection functions are valid but the PU disconnection detection function is invalid.
 7. The reset key of the PU is only valid when the protective function is activated, independent of the Pr. 75 setting.

CAUTION

 Do not reset the inverter with the start signal on.
Otherwise, the motor will start instantly after resetting, which may lead to hazardous conditions.

4.2.33 Alarm code output selection (Pr. 76)

Pr. 76 "alarm code output selection"

Related parameters

Pr. 79 "operation mode selection"
 Pr. 190 to Pr. 195
 (output terminal function selection)
 Pr. 200 to Pr. 231
 (programmed operation)

When an alarm occurs, its code can be output as a 4-bit digital signal from the open collector output terminals. When programmed operation has been selected, this parameter also serves to output a group operation signal.

The alarm code can read by a programmable controller, etc. to show its remedy on a display. Also you can look at the progress of programmed operation.

Parameter Number	Factory Setting	Setting Range
76	0	0 to 3

<Setting>

•Alarm code output

Pr. 76 Setting	Output Terminals			
	SU	IPF	OL	FU
0	Alarm code is not output. (Depends on Pr. 190 to Pr. 195).			
1	Alarm code bit 3	Alarm code bit 2	Alarm code bit 1	Alarm code bit 0
2	When an alarm occurs, an alarm code signal is output. (Output signal is the same as in 1.) When operation is normal, an operation status signal is output. (Output signal is the same as in 0.)			
3 (during programmed operation)	Output at time-out	During group 3 operation	During group 2 operation	During group 1 operation

Note: 1. For alarm code definitions, refer to page 203.

2. The Pr. 76 setting overrides the Pr. 190 to Pr. 195 settings. Therefore, if you assign other signals to output terminals SU, IPF, OL and FU using Pr. 190 to Pr. 195, these terminals provide the output signals as listed above when any of "1 to 3" is set in Pr. 76. This should be noted when using the functions which use the output signals to exercise control.

Example: When using the brake sequence functions (Pr. 278 to Pr. 285), assign the brake opening request signal (BOF) to the RUN terminal by setting "20" in Pr. 190.

4.2.34 Parameter write disable selection (Pr. 77)

Pr. 77 "parameter write disable selection"

Related parameters
Pr. 79 "operation mode selection"

You can select between write-enable and disable for parameters. This function is used to prevent parameter values from being rewritten by accident.

Parameter Number	Factory Setting	Setting Range
77	0	0, 1, 2

<Setting>

Pr. 77 Setting	Function
0	Write enabled during a stop only. Parameter values may only be written during a stop in the PU operation mode. (Note 1)
1	Write disabled. Values of Pr. 22, Pr. 75, Pr. 77 and Pr. 79 "operation mode selection" can be written.
2	Write enabled even during operation.

Note: 1. The values of the shaded parameters in the parameter list can be set at any time. (Refer to page 64.)

(Pr. 72 and Pr. 240 values cannot be set during external operation.)

2. If Pr. 77 = "2", the values of the following parameters cannot be written during operation. Stop operation when changing their parameter settings.

Parameter Number	Name	Parameter Number	Name
23	Stall prevention operation level compensation factor at double speed	107	V/F4 (fourth frequency voltage)
48	Second stall prevention operation current	108	V/F5 (fifth frequency)
49	Second stall prevention operation frequency	109	V/F5 (fifth frequency voltage)
60	Intelligent mode selection	135	Commercial power supply-inverter switch-over sequence output terminal selection
61	Reference current	136	MC switch-over interlock time
66	Stall prevention operation reduction starting frequency	137	Start waiting time
71	Applied motor	138	Commercial power supply-inverter switch-over selection at alarm occurrence
79	Operation mode selection	139	Automatic inverter-commercial power supply switch-over frequency
80	Motor capacity	180	RL terminal function selection
81	Number of motor poles	181	RM terminal function selection
83	Rated motor voltage	182	RH terminal function selection
84	Rated motor frequency	183	RT terminal function selection
95	Advanced mode selection	184	AU terminal function selection
96	Auto tuning setting/status	185	JOG terminal function selection
100	V/F1 (first frequency)	186	CS terminal function selection
101	V/F1 (first frequency voltage)	190	RUN terminal function selection
102	V/F2 (second frequency)	191	SU terminal function selection
103	V/F2 (second frequency voltage)	192	IPF terminal function selection
104	V/F3 (third frequency)	193	OL terminal function selection
105	V/F3 (third frequency voltage)	194	FU terminal function selection
106	V/F4 (fourth frequency)	195	A, B, C terminal function selection

3. By setting "1" in Pr. 77, the following clear operations can be inhibited:

- Parameter clear
- All clear
- User clear

4.2.35 Reverse rotation prevention selection (Pr. 78)

Pr. 78 "reverse rotation prevention selection"

Related parameters
Pr. 79 "operation mode selection"

This function can prevent any reverse rotation fault resulting from the misoperation of the start signal.

- Used for a machine which runs only in one direction, e.g. fan, pump.
(The setting of this function is valid for the PU, external and communication operations.)

Parameter Number	Factory Setting	Setting Range
78	0	0, 1, 2

<Setting>

Pr. 78 Setting	Function
0	Both forward and reverse rotations allowed
1	Reverse rotation disallowed
2	Forward rotation disallowed

4.2.36 Operation mode selection (Pr. 79)

Pr. 79 "operation mode selection"

Related parameters





Pr. 15 "job frequency"
Pr. 4 to Pr. 6, Pr. 24 to 27, Pr.232 to Pr.239
(multi-speed operation)
Pr. 75 "reset selection/disconnected PU detection/PU stop selection."
Pr. 76 "alarm code output selection"
Pr. 180 to Pr.186
(input terminal function selection)
Pr. 200 to Pr. 231
(programmed operation)

Used to select the operation mode of the inverter.

You can choose any of the operation modes: operation using external signals (external operation), operation from the PU (FR-DU04/FR-PU04) (PU operation), combination of PU operation and external operation (external/PU combined operation), and computer link operation (when used with the communication option such as the FR-A5NR).

Parameter Number	Factory Setting	Setting Range
79	0	0 to 8

<Setting>

Pr. 79 Setting	Function
0	External operation mode at power-on PU or external operation can be selected.
1	PU operation mode.
2	External operation mode
3	External/PU combined operation mode 1 Running frequency Set from the PU (FR-DU04/FR-PU04) (direct setting,  /  key) or external signal input (multi-speed setting only) Start signal..... External signal input (terminal STF, STR)
4	External/PU combined operation mode 2 Running frequency External signal input (terminal 2, 4, 1, jog, multi-speed selection) Start signal..... Input from the PU (FR-DU04/FR-PU04) ( key,  key)
5	Programmed operation mode You can set 10 different operation starting times, rotation directions and running frequencies for each of three groups. Operation start..... STF, timer reset STR Group selection RH, RM, RL
6	Switch-over mode Switch-over between PU operation, external operation and computer link operation (when the communication option such as the FR-A5NR is used) modes can be done while running.
7	External operation mode (PU operation interlock) X12 signal ON May be switched to PU operation mode (output stop during external operation) X12 signal OFF Switching to PU operation mode inhibited
8	Switching to other than external operation mode (disallowed during operation) X16 signal ON Switched to external operation mode X16 signal OFF Switched to PU operation mode

Note: 1. Either "3" or "4" may be set to select the PU/external combined operation. These settings differ in starting method.

2. Stop function (PU stop selection) by  of the FR-DU04 / FR-PU04 is valid in any mode when shipped from the factory. (Refer to page 108)

(1) Programmed operation

With this function, you can set 10 different operation starting times, rotation directions and running frequencies individually for each of selected three groups to perform automatic operation under the control of the internal elapsed time counting timer. For more detailed information of this function, refer to the explanations of Pr. 200 to Pr. 231.

(2) Switch-over mode

You can select between PU operation, external operation and computer link operation (when FR-A5NR option is used).

Operation Mode Switching	Switching Operation/Operating Status
External operation to PU operation	1) Select the PU operation mode with the operation panel or parameter unit. <ul style="list-style-type: none"> • Rotation direction is the same as that of external operation. • Set frequency is as set by the potentiometer (frequency setting potentiometer). (Note that the setting will disappear when power is switched off or the inverter is reset.)
External operation to computer link operation	1) Mode change command to computer link mode is transmitted from the computer. <ul style="list-style-type: none"> • Rotation direction is the same as that of external operation • Set frequency is as set by the potentiometer (frequency setting potentiometer). (Note that the setting will disappear when power is switched off or the inverter is reset.)
PU operation to external operation	1) Press the external operation key of the parameter unit. <ul style="list-style-type: none"> • Rotation direction is determined by the external operation input signal. • Set frequency is determined by the external frequency setting signal.
PU operation to computer link operation	1) Mode change command to computer link mode is transmitted from the computer. <ul style="list-style-type: none"> • Rotation direction and set frequency are the same as those of PU operation.
Computer link operation to external operation	1) The switch-over command to the external mode is sent from the computer. <ul style="list-style-type: none"> • Rotation direction is determined by the external operation input signal. • Set frequency is determined by the external frequency setting signal.
Computer link operation to PU operation	1) Select the PU operation mode with the operation panel or parameter unit. <ul style="list-style-type: none"> • Rotation direction and set frequency are the same as those of computer link operation.

(3) PU operation interlock

When the PU operation interlock signal is switched off, the operation mode is forcibly changed to the external operation mode. This function prevents the inverter from being inoperative by the external command if the mode is accidentally left unswitched from the PU operation mode.

1) Preparation

- Set "7" in Pr. 79 (PU operation interlock).
- Using any of Pr. 180 to Pr. 186 (input terminal function selection), allocate the terminal used to input X12 (PU external interlock signal).
Refer to page 157 for Pr. 180 to Pr. 186 (input terminal function selection).
- When the X12 signal is not assigned, the function of the MRS signal changes from MRS (output stop) to PU external interlock.

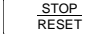
Note: When terminal assignment is changed using Pr. 180 to Pr. 186, the other functions may be affected.
Check the functions of the corresponding terminals before making setting.

2) Function

X12 (MRS) Signal	Function/Operation
ON	Output stopped during external operation. Operation mode can be switched to PU operation mode. Parameter values can be rewritten in PU operation mode. PU operation allowed.
OFF	Forcibly switched to external operation mode. External operation allowed. Switching to PU operation mode inhibited.

<Function/operation changed by switching on-off the X12 (MRS) signal>

Operating Condition		X12 (MRS) Signal	Operation Mode (Note 4)	Operating Status	Parameter Write	Switching to PU Operation Mode
Operation mode	Status					
PU	During stop	ON → OFF (Note 3)	External	During stop	Allowed → disallowed	Disallowed
	During operation	ON → OFF (Note 3)		If external operation frequency setting and start signal are entered, operation is performed in that status.	Allowed → disallowed	Disallowed
External	During stop	OFF → ON	External	During stop	Disallowed → disallowed	Allowed
		ON → OFF			Disallowed → disallowed	Disallowed
	During operation	OFF → ON		Disallowed → disallowed	Disallowed → disallowed	Disallowed
		ON → OFF		During operation → output stop	Disallowed → disallowed	Disallowed

- Note: 1. When the Pr. 79 setting is 7 and the PU operation interlock signal is OFF, network operation such as computer link cannot be used.
2. If the X12 (MRS) signal is on, the operation mode cannot be switched to the PU operation mode when the start signal (STF, STR) is on.
3. The operation mode switches to the external operation mode independently of whether the start signal (STF, STR) is on or off. Therefore, the motor is run in the external operation mode when the X12 (MRS) signal is switched off with either of STF and STR on.
4. When an alarm occurs, the inverter can be reset by pressing the  key of the operation panel.
5. When the MRS signal is used as the PU interlock signal, switching the MRS signal on and rewriting the Pr. 79 value to other than 7 in the PU operation mode causes the MRS signal to provide the ordinary MRS function (output stop). Also, as soon as 7 is set in Pr. 79, the MRS signal acts as a PU interlock signal.
6. When the MRS signal is used as the PU external interlock signal, the signal logic conforms to the Pr. 17 setting. When Pr. 17 = 2, read ON for OFF and OFF for ON in the above explanation.

(4) Operation mode external signal switching function

1) Preparation

Set "8" (switching to other than external operation mode) in Pr. 79. Using any of Pr. 180 to Pr. 186 (input terminal function selection), allocate the terminal used to input the X16 (PU-external operation switching) signal.

Refer to page 157 for Pr. 180 to Pr. 186 (input terminal function selection).

Note: When terminal assignment is changed using Pr. 180 to Pr. 186, the other functions may be affected. Check the functions of the corresponding terminals before making setting.

2) Function

When the X16 signal is switched on in the PU operation mode, the operation mode is forcibly changed to the external operation mode. When the X16 signal is switched off in the external operation mode, the operation mode is changed to the PU operation mode. When the X16 signal is switched off during network operation such as computer link, the operation mode is changed to the PU operation mode as soon as the switch-over command to the external operation mode is sent from the computer. Note that this switch-over may only be made while the inverter is at a stop and cannot be made during operation.

X16 Signal	Operation Mode
ON	External operation mode (cannot be changed to the PU operation mode)
OFF	PU operation mode (cannot be changed to the external operation mode)

4.2.37 Motor capacity/number of motor poles/speed control gain (Pr. 80, Pr. 81, Pr. 89)

Pr. 80 "motor capacity"

Pr. 81 "number of motor poles"

Pr. 89 "speed control gain"

— Related parameters —

Pr. 71 "applied motor"
 Pr. 83 "rated motor voltage"
 Pr. 84 "rated motor frequency"
 Pr. 89 "speed control gain"
 Pr. 90 to Pr. 94 (motor constants)
 Pr. 95 "online auto tuning selection"
 Pr. 96 "auto tuning setting/status"
 Pr. 180 to Pr. 186
 (input terminal function selection)

You can set the advanced magnetic flux vector control.

- Advanced magnetic flux vector control
 Provides large starting torque and sufficient low-speed torque.
 Effective for great load fluctuation.

Parameter Number	Factory Setting	Setting Range	Remarks
80	9999	0.4K to 55kW, 9999	9999: V/F control
81	9999	2, 4, 6, 12, 14, 16, 9999	9999: V/F control
89	100%	0 to 200.0%	

If any of the following conditions is not satisfied, faults such as torque shortage and speed fluctuation may occur. In this case, select V/F control.

<Operating conditions>

- The motor capacity is equal to or one rank lower than the inverter capacity.
- The motor type is the Mitsubishi standard motor (SF-JR 2-poles, 4-poles, 6-poles, 0.4kW or more) or Mitsubishi constant-torque motor (SF-JRCA 200V class 4-poles motor of 0.4kW to 55kW. Always perform offline auto tuning for any other motor (e.g. other manufacturer's motor, SF-JRC).
- Single-motor operation (one motor for one inverter) is performed.
- The wiring length between the inverter and motor is within 30m. (If the length is over 30m, perform offline auto tuning with the cables wired.)

<Setting>

(1) Advanced magnetic flux vector control

- By setting the capacity, number of poles and type of the motor used in Pr. 80 and Pr. 81, the advanced magnetic flux vector control can be selected.

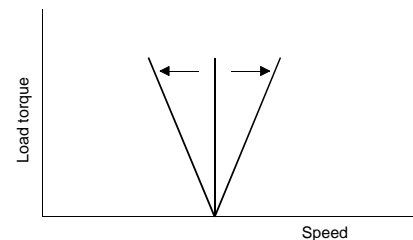
Parameter Number	Setting	Description
80	9999	V/F control
	0.4 to 55	Set the motor capacity applied. Advanced magnetic flux vector control
81	9999	V/F control
	2, 4, 6	Set the number of motor poles. Advanced magnetic flux vector control
	12, 14, 16	V/F control is selected when the X18 (magnetic flux-V/F switch-over) signal switches on. (This selection is not made during operation.) Use any of Pr. 180 to Pr. 186 to assign the terminal used for X18 signal input. 12: For 2-pole motor 14: For 4-pole motor 16: For 6-pole motor

- When using the Mitsubishi constant-torque motor (SF-JRCA), set "1" in Pr. 71. (When using the SF-JRC, perform the offline auto tuning .)
- When using the Mitsubishi standard motor (SF-JR, 4P, 1.5kW or less), set "20" in Pr. 71.

- Note: 1. Speed fluctuation is slightly greater than in the V/F control. (Advanced magnetic flux vector control may not be suitable for machines which attach importance to little speed fluctuation at low speed, e.g. grinders, lapping machines.)
2. When the surge voltage suppression filter (FR-ASF-H) is used between the inverter and motor, output torque may reduce.
3. When the terminal functions are changed using Pr. 180 to Pr. 186, the other functions may be affected. Confirm the functions of the corresponding terminals before making setting.

For adjustment of motor speed fluctuation due to load variation

Pr. 89 can be used to adjust motor speed fluctuation when the load varies. (When you have changed the conventional model FR-A200E series for the FR-A500 series, advanced magnetic flux vector control is effective when motor speed does not match.)



4.2.38 Offline auto tuning function (Pr. 82 to Pr. 84, Pr. 90 to Pr. 94, Pr. 96)

Pr. 82 "motor excitation current"

Pr. 83 "rated motor voltage"

Pr. 84 "rated motor frequency"

Pr. 90 "motor constant (R1)"

Pr. 91 "motor constant (R2)"

Pr. 92 "motor constant (L1)"

Pr. 93 "motor constant (L2)"

Pr. 94 "motor constant (X)"

Pr. 96 "auto-tuning setting/status"

Related parameters

- Pr. 7 "acceleration time"
- Pr. 9 "electronic thermal O/L relay"
- Pr. 71 "applied motor"
- Pr. 80 "motor capacity"
- Pr. 81 "number of motor poles"
- Pr. 95 "online auto tuning selection"
- Pr. 156 "stall prevention operation selection"

What is auto tuning?

- (1) In the magnetic flux vector control system, the motor performance is unleashed to perform operation.
 - (2) Using the auto tuning function improves the operational performance of the motor.
 - (3) There are two ways of auto tuning: offline auto tuning and online auto tuning (Refer to page 127.).
 - (4) There are two ways of offline auto tuning: motor-unrotated method and motor-rotated method.
 - (5) Speed characteristic accuracy
Online>>offline (rotated)>offline (unrotated)>>no tuning
-

When you use the advanced magnetic flux vector control, you can perform the offline auto tuning operation to calculate motor constants automatically.

- Offline auto tuning is made valid only when values other than "9999" are set in Pr. 80 and Pr. 81 to select the advanced magnetic flux vector control.
- The online tuning data (motor constants) can be copied to another inverter with the PU (FR-DU04/FR-PU04).
- If the motor used is not the Mitsubishi standard motor (SF-JR 0.4kW or more) or Mitsubishi constant-torque motor (SF-JRCA 200V class 4 poles, 0.4kW to 55kW) (e.g. other manufacturer's motor, SF-JRC) or if the wiring distance is long, you can use the offline auto tuning to run the motor with the optimum operation characteristics.
- Offline auto tuning
Automatically measures the motor constants used for advanced magnetic flux vector control.
 - Offline auto tuning can be performed with the load connected. (As the load is smaller, tuning accuracy is higher. Tuning accuracy does not change if inertia is large.)
 - For the offline auto tuning, you can select either the motor non-rotation mode or rotation mode. Note that when making selection for the online auto tuning, the motor-only rotation mode should be selected.
 - You can read, write and copy the motor constants tuned by the offline auto tuning.
 - The offline auto tuning status can be monitored with the PU (FR-DU04/FR-PU04).

Parameter Number	Factory Setting	Setting Range	Remarks
82	9999	0 to, 9999	9999: Mitsubishi standard motor
83	200V/400V*	0 to 1000V	Rated motor voltage
84	60HZ	50 to 120Hz	Rated motor frequency
90	9999	0 to, 9999	9999: Mitsubishi standard motor
91	9999	0 to, 9999	9999: Mitsubishi standard motor
92	9999	0 to, 9999	9999: Mitsubishi standard motor
93	9999	0 to, 9999	9999: Mitsubishi standard motor
94	9999	0 to, 9999	9999: Mitsubishi standard motor
96	0	0, 1, 101	0: No tuning

* The inverter of 400V voltage class is factory-set to 400V.

<Operating conditions>

- The motor is connected.
- The motor capacity is equal to or one rank lower than the inverter capacity. (0.4kW or more)
- The maximum frequency is 120Hz.
- Special motors such as high-slip motor and high-speed motor cannot be tuned.
- When "101" (offline auto tuning with motor running) is set in Pr. 96, note the following:
 - 1) Torque may not be enough during tuning.
 - 2) The motor may be run at nearly its rated frequency (Pr. 84 setting) without problem.
 - 3) The brake is open.
 - 4) No external force is applied to rotate the motor.
- If "1" (tuning without motor running) is set in Pr. 96, the motor may run slightly. Therefore, fix the motor securely with a mechanical brake, or before tuning, make sure that there will be no problem in safety if the motor runs.

This instruction must be followed especially for vertical lift applications.

Note that if the motor runs slightly, tuning performance is unaffected.

Note: Offline auto tuning will not be performed properly if it is performed when the reactor or surge voltage suppression filter (FR-ASF-H) is connected between the inverter and motor.
Remove it before starting tuning.

<Setting>**(1) Parameter setting**

- Using Pr. 80 and Pr. 81, select the advanced magnetic flux vector control.
- Refer to the parameter details list and set the following parameters:
 - 1) Set "1" or "101" in Pr. 96.
 - For setting of "1" Tuning without motor running.
It takes about 25s until tuning completes.
At this time, exciting noise is generated.
 - For setting of "101" Tuning with motor running.
It takes about 40s until tuning completes.
The motor rotates at 60Hz.
 - 2) Set the rated motor current (A) in Pr. 9.
 - 3) Set the rated motor voltage (V) in Pr. 83.
 - 4) Set the rated motor frequency (Hz) in Pr. 84.
 - 5) Select the motor using Pr. 71.
 - Standard motor Pr. 71 = "3"
 - Constant-torque motor Pr. 71 = "13"
 - Mitsubishi standard motor SF-JR 4 poles (1.5kW or less). Pr. 71 = "23"

Note: 1. Pr. 83 and Pr. 84 are only displayed when the advanced magnetic flux vector control is selected (Pr. 80, Pr. 81).
2. In these parameters, set the values given on the motor rating plate. When the standard motor has more than one rated value, set 200V/60Hz or 400V/60Hz.
After tuning is finished, set the Pr. 9 "electronic thermal O/L relay" value to the rated current at the operating voltage/frequency.

■Parameter details

Parameter Number	Setting	Description		
9	0 to 500A	Set the rated motor current (A).		
71 (Note1)	0	Electronic overcurrent protection thermal characteristics suitable for standard motor		
	1	Electronic overcurrent protection thermal characteristics suitable for Mitsubishi constant-torque motor		
	2	Electronic overcurrent protection thermal characteristics suitable for standard motor5-point flexible V/F characteristics		
	20	Mitsubishi SF-JR4P standard motor (1.5kW or less), electronic overcurrent protection thermal characteristics for advanced magnetic flux vector control		
	3	Standard motor	Select "offline auto tuning setting"	
	13	Constant-torque motor		
	23	Mitsubishi SF-JR4P standard motor (1.5kW or less)		
	4	Standard motor	Auto tuning read or change setting enabled	
	14	Constant-torque motor		
	24	Mitsubishi SF-JR4P standard motor (1.5kW or less)		
	5	Standard motor	Star connection	Direct input of motor constants enabled
	15	Constant-torque motor	Delta connection	
	6	Standard motor	Star connection	Direct input of motor constants and offline auto tuning
	16	Constant-torque motor		
	7	Standard motor		
	17	Constant-torque motor		
8	Standard motor	Delta connection		
18	Constant-torque motor			
83	0 to 1000V	Set the rated motor voltage (V).		
84	50 to 120HZ	Set the rated motor frequency (Hz).		
90	0 to, 9999	Tuning data (Values measured by offline auto tuning are set automatically.)		
91	0 to, 9999			
92	0 to, 9999			
93	0 to, 9999			
94	9999			
	0 to 100%			
96 (Note2)	0	Offline auto tuning is not performed.		
	1	Offline auto tuning is performed without motor running.		
	101	Offline auto tuning is performed with motor running.		

Note: 1. The electronic overcurrent protection characteristics are also selected simultaneously.
2. Select "101" to increase tuning accuracy.

(2) Tuning execution

- For PU operation, press the or key.
- For external operation, switch on the run command.

Note: 1. When "101" is set in Pr. 96, guard against hazards because the motor rotates.
2. To force tuning to end

- Switch on the MRS or RES signal or press the key to end.
- Switch off the tuning start command or make a forced stop.

3. During offline auto tuning, the following I/O signals are only valid:

- Input signals
STOP, OH, MRS, RT, CS, RES, STF, STR
- Output signals
RUN, OL, IPF, FM, AM, A, B, C

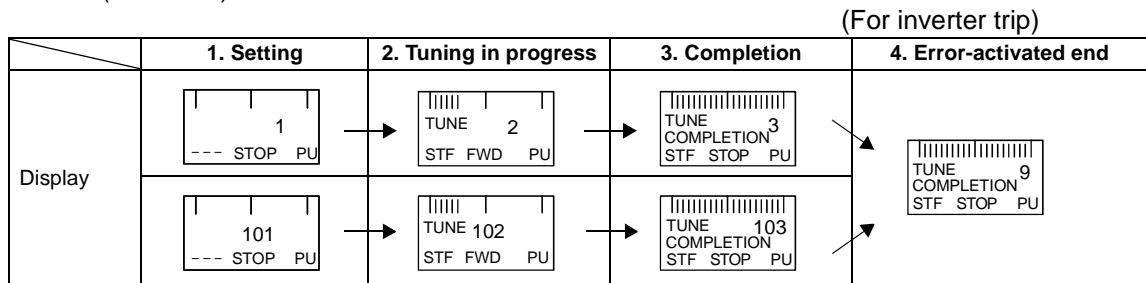
4. Special caution should be exercised when a sequence has been designed to open the mechanical brake with the RUN signal.

5. When executing offline auto tuning, give the run command after switching on the main circuit power supply (R, S, T) of the inverter.

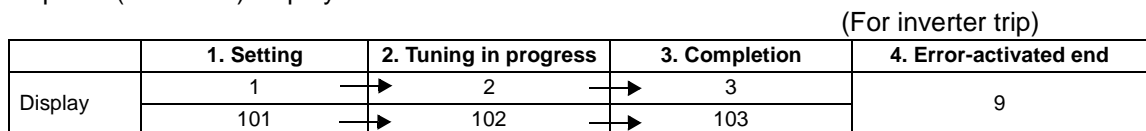
(3) Monitoring the offline tuning status

When the parameter unit (FR-PU04) is used, the Pr. 96 value is displayed during tuning on the main monitor as shown below. When the operation panel (FR-DU04) is used, only the same numerical value as on the PU is displayed:

- Parameter unit (FR-PU04) main monitor



- Operation panel (FR-DU04) display



- Reference: Offline auto tuning time (factory setting)

Offline Auto Tuning Setting	Time
1: No-rotation mode	Approximately 25s
2: Rotation mode	Approximately 40s (Offline auto tuning time varies with acceleration and deceleration time settings as indicated below: Offline auto tuning time = acceleration time + deceleration time + approximately 30 s)

(4) Ending the offline auto tuning

- Confirm the Pr. 96 value.
 - Normal end: "3" or "103" is displayed.
 - Error-activated end: "9", "91", "92" or "93" is displayed.
 - Forced end ... "8" is displayed.
- When tuning ended normally.

For PU operation, press the key. For external operation, switch off the start signal (STF or STR). This operation resets the offline auto tuning and the PU's monitor display returns to the ordinary indication. (Without this operation, next operation cannot be done.)


- When tuning was ended due to an error.

Offline auto tuning did not end normally. (Motor constants have not been set.) Reset the inverter and start tuning all over again.
- Error display definitions.

Error Display	Error Cause	Remedy
9	Inverter trip	Re-set.
91	Current limit (stall prevention) function was activated.	Increase acceleration/deceleration time. Set "1" in Pr. 156.
92	Inverter output voltage reached 75% of rated value.	Check for fluctuation of power supply voltage.
93	Calculation error	Check the motor wiring and re-set.

No connection with motor will result in 93 error.

5) When tuning was ended forcibly.

A forced end occurs when tuning is forced to end by pressing the  key or turning off the start signal (STF or STR) during tuning.

In this case, offline auto tuning was not brought to a normal end. (The motor constants are not yet set.)
Reset the inverter and restart tuning.

- Note: 1. The motor constants measured once in the offline auto tuning are stored as parameters and their data is held until the offline auto tuning is performed again.
2. An instantaneous power failure occurring during tuning will result in a tuning error. After power is restored, the inverter goes into the ordinary operation mode. Therefore, when STF (STR) is on, the motor runs in forward (reverse) rotation.
3. When "8888" is set in Pr. 11, the tuning is forced to end and the DC injection brake is started upon input of the MRS signal.
4. Any alarm occurring during tuning is handled as in the ordinary mode.
Note that if an error retry has been set, retry is ignored.
5. The set frequency monitor displayed during the offline auto tuning is 0Hz.

 **CAUTION**

-  **Note that the motor may start running suddenly.**
-  **When the offline auto tuning is used in vertical lift application, e.g. a lifter, it may drop due to insufficient torque.**

<Setting the motor constants as desired>

The motor constants (Pr. 90 to Pr. 94) may be set as desired in either of two ways; the data measured in the offline auto tuning is read and utilized or changed, or the motor constants are set without the offline auto tuning data being used.

■ To utilize or change the offline auto tuning data

<Operating procedure>

1. Set any of the following values in Pr. 71:

- Standard motor..... Pr. 71 = "4"
- Constant-torque motor..... Pr. 71 = "14"
- Mitsubishi standard motor SF-JR 4 poles (1.5kW or less) Pr. 71 = "24"

2. Set "801" in Pr. 77.

(Only when the Pr. 80 and Pr. 81 settings are other than "9999", the parameter values of the motor exciting current (Pr. 82) and motor constants (Pr. 90 to Pr. 94) can be displayed. Though the parameter values of other than Pr. 82 and Pr. 90 to Pr. 94 can be displayed, they are parameters for manufacturer setting and shall not be changed.)

3. In the parameter setting mode, read the following parameters and set desired values. (Note 1)

Parameter Number	Name	Setting Range	SettingIncrements	Factory Setting
82	Motor exciting current	0 to ****, 9999	1	9999
90	Motor constant R1	0 to ****, 9999	1	9999
91	Motor constant R2	0 to ****, 9999	1	9999
92	Motor constant L1	0 to ****, 9999	1	9999
93	Motor constant L2	0 to ****, 9999	1	9999
94	Motor constant X	0 to ****, 9999	1	9999

4. Return the Pr. 77 setting to the original value.

Note: 1. Pr. 82 and Pr. 90 to Pr. 94 values may only be read when the Pr. 80 and Pr. 81 settings are other than "9999" (advanced magnetic flux vector control selected).

2. Set "9999" in Pr. 90 to Pr. 94 to use the standard motor constants (including those for the constant-torque motor).

3. Set "3" (standard motor), "13" (constant-torque motor) or "23" (Mitsubishi standard motor SF-JR 4P (1.5kW or less)) in Pr. 71 to use the constants measured in the offline auto tuning. Set "4, 14 or 24" in Pr. 71 and change the motor constants to change the values measured in the offline auto tuning.

4. As the motor constants measured in the offline auto tuning have been converted into internal data (****), refer to the following setting example when making setting:
 Setting example: To slightly increase Pr. 90 value
 When Pr. 90 is displayed "2516", set 2642, i.e. $2516 \times 1.05 = 2641.8$, in Pr. 90.
 (The value displayed has been converted into a value for internal use. Hence, simple addition of a given value to the displayed value has no significance.)

■ To set the motor constants without using the offline auto tuning data
 The Pr. 92 and Pr. 93 motor constants may either be entered in [Ω] or in [mH]. Before starting operation, confirm which motor constant unit is used.

- To enter the Pr. 92 and Pr. 93 motor constants in [Ω]

<Operating procedure>

1. Set any of the following values in Pr. 71.

		Star Connection Motor	Delta Connection Motor
Setting	Standard motor	5	6
	Constant-torque motor	15	16

2. Set "801" in Pr. 77.

(Only when the Pr. 80 and Pr. 81 settings are other than "9999", the parameter values of the motor constants (Pr. 90 to Pr. 94) can be displayed. Though the parameter values of other than Pr. 90 to Pr. 94 can be displayed, they are parameters for manufacturer setting and shall not be changed.)

3. In the parameter setting mode, read the following parameters and set desired values:

Parameter Number	Name	Setting Range	Setting Increments	Factory Setting
90	Motor constant R1	0 to 50 Ω , 9999	0.001 Ω	9999
91	Motor constant R2	0 to 50 Ω , 9999	0.001 Ω	9999
92	Motor constant X1	0 to 50 Ω , 9999	0.001 Ω	9999
93	Motor constant X2	0 to 50 Ω , 9999	0.001 Ω	9999
94	Motor constant X	0 to 500 Ω , 9999	0.01 Ω	9999

4. Return the Pr. 77 setting to the original value.

5. Refer to the following table and set Pr. 84.

Parameter Number	Name	Setting Range	Setting Increments	Factory Setting
84	Rated motor frequency	50 to 120Hz	0.01Hz	60Hz

Note: 1. Pr. 90 to Pr. 94 values may be read only when the Pr. 80 and Pr. 81 settings are other than "9999" (advanced magnetic flux vector control selected).

2. Set "9999" in Pr. 90 to Pr. 94 to use the standard motor constants (including those for the constant-torque motor).

3. If "star connection" is mistaken for "delta connection" or vice versa during setting of Pr. 71, advanced magnetic flux vector control cannot be exercised normally.

- To enter the Pr. 92 and Pr. 93 motor constants in [mH]

<Operating procedure>

1. Set any of the following values in Pr. 71:

- Standard motor Pr. 71 = "0"
- Constant-torque motor Pr. 71 = "1"
- Mitsubishi standard motor SF-JR 4 poles (1.5kW or less)..... Pr. 71 = "20"

2. Set "801" in Pr. 77.

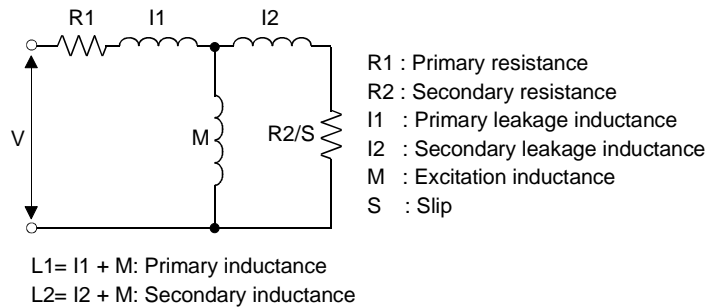
(Only when the Pr. 80 and Pr. 81 settings are other than "9999", the parameter values of the motor constants (Pr. 90 to Pr. 94) can be displayed. Though the parameter values of other than Pr. 90 to Pr. 94 can be displayed, they are parameters for manufacturer setting and shall not be changed.)

3. In the parameter setting mode, read the following parameters and set desired values:

The setting value of Pr. 94 can be found by the following calculation.

$$\text{Pr. 94 setting value} = \left(1 - \frac{M^2}{L1 \times L2}\right) \times 100(\%)$$

Equivalent Circuit Diagram of Motor



Parameter Number	Name	Setting Range	Setting Increments	Factory Setting
90	Motor constant R1	0 to 50Ω, 9999	0.001Ω	9999
91	Motor constant R2	0 to 50Ω, 9999	0.001Ω	9999
92	Motor constant L1	0 to 1000mH, 9999	0.1mH	9999
93	Motor constant L2	0 to 1000mH, 9999	0.1mH	9999
94	Motor constant X	0 to 100%, 9999	0.1%	9999

4. Return the Pr. 77 setting to the original value.

5. Refer to the following table and set Pr. 84:

Parameter Number	Name	Setting Range	Setting Increments	Factory Setting
84	Rated motor frequency	50 to 120Hz	0.01Hz	60Hz

Note: 1. Pr. 90 to Pr. 94 values may be read only when the Pr. 80 and Pr. 81 settings are other than "9999" (advanced magnetic flux vector control selected).
 2. Set "9999" in Pr. 90 to Pr. 94 to use the standard motor constants (including those for the constant-torque motor).

■ Setting method of the motor constants of the SF-HR type high efficiency motor and SF-HRCA type inverter drive dedicated constant torque motor.

- When offline auto tuning is enabled with motor running
 - 1) Set Pr. 9 "electronic thermal O/L relay", Pr. 80 "motor capacity", Pr. 81 "number of motor poles", Pr. 83 "rated motor voltage" and Pr. 84 "rated motor frequency" according to the motor.
 - 2) Set "13" in Pr. 71. (offline auto tuning selection of constant torque motor)
 - 3) Set "101" in Pr. 96 and perform offline auto tuning with motor running.
 - 4) After completion of auto tuning, set "1" in Pr. 95.
 - 5) Set "14" in Pr. 71 and "801" in Pr. 77.
 - 6) Set the values in the following table in Pr. 85, Pr. 86 and Pr. 89.
 - 7) Return the Pr. 77 setting to the original value.
- When offline auto tuning is not enabled
(When the inverter capacity and the motor capacity are same)
 - 1) Set Pr. 9 "electronic thermal O/L relay", Pr. 80 "motor capacity", Pr. 81 "number of motor poles", Pr. 83 "rated motor voltage" and Pr. 84 "rated motor frequency" according to the motor.
 - 2) Set "14" in Pr. 71 and "801" in Pr. 77.
 - 3) Set the values in the following table in Pr. 85, Pr. 86 Pr. 89, Pr. 82, Pr. 90 to Pr. 94.
 - 4) Set "1" in Pr. 95.
 - 6) Return the Pr. 77 setting to the original value.

(Note) Though other parameter values can also be displayed when "801" is set in Pr. 77, they are parameters for manufacturer setting and their values should not be changed. Note that changing the settings may damage the inverter.

	Type	Output (kW)	Number of poles	Setting parameters			Motor Constants					
				Pr.85 Excitation current refraction point	Pr.86 Excitation current low speed scale factor	Pr.89 Speed control gain	Pr.82 Motor excitation current	Pr.90 R1	Pr.91 R2	Pr.92 L1	Pr.93 L2	Pr.94 X
SF-HR type motor constants	SF-HR	0.2(Not5)	4	10(9999)	130	100	1339	4580	4400	2048	2048	829
	SF-HR	0.4	4	10(9999)	130	100	2171	2069	2045	1312	1312	804
	SF-HR	0.75	4	10(9999)	130	100	2053	1458	1587	1392	1392	803
	SF-HR	1.5	4	10(9999)	130	100	2456	884	902	1152	1152	790
	SF-HR	2.2	4	10(9999)	130	100	2135	762	959	1328	1328	640
	SF-HR	3.7	4	<u>30</u>	<u>140</u>	100	2356	894	639	1200	1200	656
	SF-HR	5.5	4	<u>30</u>	<u>140</u>	<u>120</u>	2213	683	592	1280	1280	504
	SF-HR	7.5	4	<u>30</u>	<u>140</u>	<u>120</u>	2010	735	518	1424	1424	454
	SF-HR	11	4	10(9999)	130	100	2282	682	354	1248	1248	542
	SF-HR	15	4	10(9999)	130	100	2190	654	361	1296	1296	486
	SF-HR	18.5	4	<u>30</u>	<u>140</u>	<u>120</u>	1745	707	277	1632	1632	445
	SF-HR	22	4	<u>30</u>	<u>140</u>	<u>120</u>	1745	707	277	1632	1632	445
	SF-HR	30	4	<u>20</u>	<u>150</u>	<u>120</u>	1826	566	281	1568	1568	433
	SF-HR	37	4	<u>20</u>	<u>150</u>	<u>120</u>	1408	631	279	2032	2032	406
	SF-HR	45	4	<u>20</u>	<u>140</u>	<u>120</u>	1277	532	320	2240	2240	398
SF-HR	55	4	<u>20</u>	<u>150</u>	<u>120</u>	1684	499	227	1696	1696	429	
SF-HRCA type motor constants	SF-HRCA	0.2(Not5)	4	10 (9999)	130	100	1348	4588	4409	2057	2057	839
	SF-HRCA	0.4	4	10 (9999)	130	100	2181	2078	2052	1320	1320	813
	SF-HRCA	0.75	4	10 (9999)	130	100	2063	1469	1596	1399	1399	810
	SF-HRCA	1.5	4	10 (9999)	130	100	2465	893	913	1160	1160	796
	SF-HRCA	2.2	4	10 (9999)	130	100	2145	771	968	1335	1335	649
	SF-HRCA	3.7	4	<u>30</u>	<u>140</u>	100	2367	899	648	1209	1209	662
	SF-HRCA	5.5	4	<u>30</u>	<u>140</u>	<u>120</u>	2223	689	601	1289	1289	514
	SF-HRCA	7.5	4	<u>30</u>	<u>140</u>	<u>120</u>	2020	746	527	1433	1433	460
	SF-HRCA	11	4	10 (9999)	130	100	2289	691	363	1256	1256	550
	SF-HRCA	15	4	10 (9999)	130	100	2199	663	372	1303	1303	490
	SF-HRCA	18.5	4	<u>30</u>	<u>140</u>	<u>120</u>	1755	716	286	1641	1641	451
	SF-HRCA	22	4	<u>30</u>	<u>140</u>	<u>120</u>	1755	716	286	1641	1641	451
	SF-HRCA	30	4	<u>20</u>	<u>150</u>	<u>120</u>	1835	577	290	1579	1579	440
	SF-HRCA	37	4	<u>20</u>	<u>150</u>	<u>120</u>	1417	642	287	2040	2040	417
	SF-HRCA	45	4	<u>20</u>	<u>140</u>	<u>120</u>	1285	540	329	2249	2249	406
SF-HRCA	55	4	<u>20</u>	<u>150</u>	<u>120</u>	1693	508	237	1705	1705	438	



- Note: 1. Underlined parameter values are values changed from the factory settings.
 2. The motor constants indicate the data measured in the offline auto tuning.
 3. The Pr. 85 settings of "9999" (factory setting) and "10" are equal.
 4. Wrong setting will provide an alarm output. Therefore, make sure that the settings are correct.
 5. For the output is 0.2kW, set Pr. 80 "motor capacity " to 0.4 (kW).

• When offline auto tuning is not enabled

(When the inverter capacity is one rank higher than the motor capacity)

- 1) Set Pr. 9 "electronic thermal O/L relay", Pr. 80 "motor capacity", Pr. 81 "number of motor poles", Pr. 83 "rated motor voltage" Pr. 84 "rated motor frequency" according to the motor.
- 2) Set "14" in Pr. 71 and "801" in Pr. 77.
- 3) Set the values in the table on the previous page in Pr. 85, Pr. 86, Pr. 89 and Pr. 94.
- 4) Calculate the Pr. 82 setting using the following calculation expression.

Pr.82 setting value	=	Tuning value with the same capacity (Refer to table on the previous page)	×	$\frac{\text{Rated current (A) of the inverter equal to the motor in capacity}}{\text{Rated current (A) of the inverter one rank higher than the motor}}$
------------------------	---	--	---	---

- 5) Calculate the Pr. 90 to Pr. 93 setting using the following calculation expression.

Pr.90 to Pr. 93 setting value	=	Tuning value with the same capacity (Refer to table on the previous page)	×	$\frac{\text{Rated current (A) of the inverter one rank higher than the motor}}{\text{Rated current (A) of the inverter equal to the motor in capacity}}$
----------------------------------	---	--	---	---

- 6) Set "1" in Pr. 95

- 7) Return the Pr. 77 setting to the original value.

(Note) When using the 0.4K inverter and the 0.2K motor, enter the values in the table on the previous page.

Calculation expression example 1

for Pr.82, Pr.90 to Pr.93

Combination Inverter : FR-A520-2.2K (Rated current value 11 [A])
 Motor : SF-HR 1.5kW 4P

Parameter	Setting value for a combination of motor with one rank higher in capacity inverter.	Conversion calculation method for a combination of motor one rank higher in capacity inverter.
85	10(9999)(*)	No calculation
86	130(*)	No calculation
89	100(*)	No calculation
82	1786	$2456(*) \times (8[A] / 11[A]) = 1786$
90	1216	$884(*) \times (11[A] / 8[A]) = 1216$
91	1240	$902(*) \times (11[A] / 8[A]) = 1240$
92	1584	$1152(*) \times (11[A] / 8[A]) = 1584$
93	1584	$1152(*) \times (11[A] / 8[A]) = 1584$
94	790(*)	No calculation

Rated current value for the FR-A520-1.5K.

Values (*) are setting values (SF-HR 1.5kW) in the table on the previous page.

Calculation expression example 2

for Pr. 82, Pr. 90 to Pr.93

Combination Inverter : FR-A540-2.2K (Rated current value 6 [A])
 Motor : SF-HRCA 1.5kW 4P

Parameter	Setting value for a combination of the motor and the inverter one rank higher in capacity.	Conversion calculation method for a combination of the motor and the inverter one rank higher in capacity.
85	10(9999)(*)	No calculation
86	130(*)	No calculation
89	100(*)	No calculation
82	1643	$2465(*) \times (4[A] / 6[A]) = 1643$
90	1340	$893(*) \times (6[A] / 8[A]) = 1340$
91	1370	$913(*) \times (6[A] / 4[A]) = 1370$
92	1740	$1160(*) \times (6[A] / 4[A]) = 1740$
93	1740	$1160(*) \times (6[A] / 4[A]) = 1740$
94	796(*)	No calculation

Rated current value for the FR-A540-1.5K.

Values (*) are setting values (SF-HRCA 1.5kW) in the table on the previous page.

Pr. 89 → Refer to Pr. 80.

4.2.39 Online auto tuning selection (Pr. 95)

Pr. 95 "online auto tuning selection"

Related parameters

Pr. 71 "applied motor"
 Pr. 80 "motor capacity"
 Pr. 81 "number of motor poles"
 Pr. 83 "rated motor voltage"
 Pr. 84 "rated motor frequency"
 Pr. 89 "speed control gain"
 Pr. 90 to Pr. 94 (motor constants)
 Pr. 96 "auto tuning setting/status"

By online auto tuning, the motor conditions are tuned rapidly at the start. This enables precise operation unaffected by motor temperatures and steady high-torque operation down to super-low speed. After setting the Pr. 80 and Pr. 81 values, select online auto tuning with Pr. 95.

● Online auto tuning

Use this function when steady high-torque operation is required for low-speed operation under advanced magnetic flux vector control.

- Before starting the online auto tuning, perform the offline auto tuning. Data must be calculated.

Parameter Number	Factory Setting	Setting Range	Remarks
95	0	0.1	1: Online auto tuning

<Operating conditions>

- Data required for online auto tuning is calculated in offline auto tuning. Before starting the operation of this function, always execute the offline auto tuning once more. The offline auto tuning is also required for use of the Mitsubishi standard motor (SF-JR) or constant-torque motor (SF-JRCA).
- Offline auto tuning should be carried out with "101" (motor running) set in Pr. 96 and with the motor disconnected from the load. (The motor may be connected with inertia load.)

<Operating procedure>

- 1) Read the Pr. 96 value and make sure that its setting is "3 or 103" (offline auto tuning complete).
- 2) Set "1" in Pr. 95 to select the online auto tuning.
- 3) Before starting operation, make sure that the following parameter values have been set:

Parameter Number	Description
9	(Used as either the rated motor current or electronic overcurrent protection parameter)
71	Applied motor
80	Motor capacity (down to one rank lower, between 0.4kW and 55kW)
81	Number of motor poles

- 4) Give the run command in the PU or external operation mode.

- Note:
1. If any of the inverter starting conditions are not satisfied, e.g. when MRS is input, if the set frequency is lower than the starting frequency (Pr. 13) value, or during an inverter error, the online auto tuning is not activated.
 2. For a restart during deceleration or DC injection brake operation, the online auto tuning is not activated.
 3. The online auto tuning is invalid for programmed operation or jog operation.
 4. When automatic restart after instantaneous power failure is selected, it overrides the online auto tuning.
 5. For use in vertical lift application, examine the use of a brake sequence for brake opening timing at the start. Though the tuning ends in about a maximum of 500ms after a start, enough torque is not provided during that period. Therefore, note that the load may drop with gravity.
 6. Zero current detection and output current detection are also valid during the online auto tuning.
 7. The RUN signal is not output during the online auto tuning. The RUN signal switches on at a start.
 8. When programmed operation is selected (Pr. 79 = 5), the online auto tuning is invalid and is not executed.
 9. If the period between inverter stop and restart is within 4s, the online auto tuning is executed but operation will not reflect the tuning results.

Pr. 96 → Refer to Pr. 82.

4.2.40 V/F control frequency (voltage) (Pr. 100 to Pr. 109)

Pr. 100 "V/F1 (first frequency)"

Pr. 101 "V/F1 (first frequency voltage)"

Pr. 102 "V/F2 (second frequency)"

Pr. 103 "V/F2 (second frequency voltage)"

Pr. 104 "V/F3 (third frequency)"

Pr. 105 "V/F3 (third frequency voltage)"

Pr. 106 "V/F4 (fourth frequency)"

Pr. 107 "V/F4 (fourth frequency voltage)"

Pr. 108 "V/F5 (fifth frequency)"

Pr. 109 "V/F5 (fifth frequency voltage)"

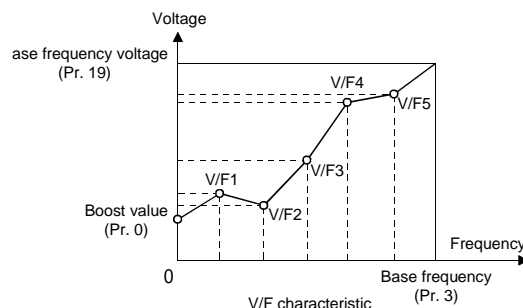
Related parameters

- Pr. 19 "base frequency voltage"
- Pr. 47 "second V/F (base frequency)"
- Pr. 60 "intelligent mode selection"
- Pr. 71 "applied motor"
- Pr. 113 "third V/F (base frequency)"

You can make a dedicated V/F pattern by using V/F (frequency Voltage/Frequency) control to set V/F characteristics from the start to the basic frequency and basic voltage as desired.

- Desired V/F characteristics can be set by presetting V/F1 (first frequency voltage/first frequency), V/F2, V/F3, V/F4 and V/F5 in the corresponding parameters.

Parameter Number	Factory Setting	Setting Range	Remarks
100	9999	0 to 400Hz, 9999	Set "2" in Pr. 71 and a value other than "8888 and 9999" in Pr. 19. These functions are activated only when "0" is set in Pr. 60.
101	0	0 to 1000V	
102	9999	0 to 400Hz, 9999	
103	0	0 to 1000V	
104	9999	0 to 400Hz, 9999	
105	0	0 to 1000V	
106	9999	0 to 400Hz, 9999	
107	0	0 to 1000V	
108	9999	0 to 400Hz, 9999	
109	0	0 to 1000V	



<Setting>

- (1) Confirm the settings of Pr. 19, Pr. 60 and Pr. 71.

Parameter Number	Description
19	Set the rated motor voltage. This function is not activated if its value is "9999" and "8888" (factory setting).
60	Set "0" (ordinary operation mode).
71	Set "2" (V/F 5-point flexible characteristic).

- (2) Set the desired frequencies and voltages in Pr. 100 to Pr. 109.
- The setting must satisfy the following relationship: $F1 \neq F2 \neq F3 \neq F4 \neq F5 \neq \text{Pr. 3 "base frequency"}$.
If the set frequencies are the same, a write error occurs.
If any frequency setting is "9999", its point is ignored.

Note: 1. The V/F 5-point flexible characteristic functions for V/F control only. It does not function for advanced magnetic flux vector control.

2. These functions are activated only when "0" is set in Pr. 60.

3. The frequency voltage setting should be equal to or less than the Pr. 3 and Pr. 19 settings.

4. Pr. 19 must be set. (When Pr. 19 = "8888" or "9999", Pr. 71 cannot be set to "2" (5-point flexible V/F characteristic).)

5. If "2" is set in Pr. 71, Pr. 47 and Pr. 113 do not function.

6. When "2" is set in Pr. 71, the electronic overcurrent protection is calculated for a standard motor.

Pr. 110, Pr. 111, → Refer to Pr. 7.

Pr. 112 → Refer to Pr. 0.

Pr. 113 → Refer to Pr. 3.

Pr. 114, Pr. 115, → Refer to Pr. 48.

Pr. 116 → Refer to Pr. 42.

4.2.41 Computer link operation (Pr. 117 to Pr. 124, Pr. 342)

Pr. 117 "communication station number"

Pr. 118 "communication speed"

Pr. 119 "stop bit length/data length"

Pr. 120 "parity check presence/absence"

Pr. 121 "number of communication retries"

Pr. 122 "communication check time interval"

Pr. 123 "waiting time setting"

Pr. 124 "CR-LF presence/absence selection"

Pr. 342 "E²PROM write selection"

Used to perform required settings for RS-485 communication between the inverter and personal computer. Using the inverter setup software (FR-SW□-SETUP-WE (or -WJ for Japanese version)), parameter setting, monitoring, etc. can be done efficiently.

- The motor can be run from the PU connector of the inverter using RS-485 communication.

Communication specifications

Conforming standard		RS-485	
Number of inverters connected		1:N (maximum 32 inverters)	
Communication speed		Selected between 19200, 9600 and 4800bps	
Control protocol		Asynchronous	
Communication method		Half-duplex	
Communication specifications	Character system	ASCII (7 bits/8 bits) selectable	
	Stop bit length	Selectable between 1 bit and 2 bits.	
	Terminator	CR/LF (presence/absence selectable)	
	Check system	Parity check	Selectable between presence (even/odd) or absence
		Sumcheck	Present
Waiting time setting		Selectable between presence or absence	

- For the data codes of the parameters, refer to the data code list in the appendices.

REMARKS

For computer link operation, set the value "8888" as 65520 (HFFF0) and the value "9999" as 65535 (HFFFF).

Parameter Number	Factory Setting	Setting Range
117	0	0 to 31
118	192	48, 96, 192
119	1	Data length 8 0, 1
		Data length 7 10, 11
120	2	0, 1, 2
121	1	0 to 10, 9999
122*	0	0, 0.1 to 999.8s, 9999
123	9999	0 to 150ms, 9999
124	1	0, 1, 2
342	0	0, 1

* When making communication, set any value other than 0 in Pr. 122 "communication check time interval".

<Setting>

To make communication between the personal computer and inverter, the communication specifications must be set to the inverter initially. If initial setting is not made or there is a setting fault, data transfer cannot be made.

Note: After making the initial setting of the parameters, always reset the inverter. After you have changed the communication-related parameters, communication cannot be made until the inverter is reset.

Parameter Number	Description	Setting	Description	
117	Communication station number	0 to 31	Station number specified for communication from the PU connector. Set the inverter station numbers when two or more inverters are connected to one personal computer.	
118	Communication speed	48	4800 bps	
		96	9600 bps	
		192	19200 bps	
119	Stop bit length/ data length	8 bits	0	Stop bit length 1 bit
			1	Stop bit length 2 bits
		7 bits	10	Stop bit length 1 bit
			11	Stop bit length 2 bits
120	Parity check presence/ absence	0	Absent	
		1	Odd parity present	
		2	Even parity present	
121	Number of communication retries	0 to 10	Set the permissible number of retries at occurrence of data receive error. If the number of consecutive errors exceeds the permissible value, the inverter will come to an alarm stop.	
		9999(65535)	If a communication error occurs, the inverter will not come to an alarm stop. At this time, the inverter can be coasted to a stop by MRS or RES input. During a communication error (H0 to H5), the minor fault signal (LF) is switched on. Allocate the used terminal with any of Pr. 190 to Pr. 195 (output terminal function selection).	
122	Communication check time interval	0	No communication	
		0.1 to 999.8	Set the communication check time [s] interval.	
		9999	If a no-communication state persists for longer than the permissible time, the inverter will come to an alarm stop.	
123	Waiting time setting	0 to 150ms	Set the waiting time between data transmission to the inverter and response.	
		9999	Set with communication data.	
124	CR • LF presence/ absence selection	0	Without CR • LF	
		1	With CR	
		2	With CR • LF	
342	E ² PROM write selection	0	When parameter write is performed from the computer, parameters are written to E ² PROM.	
		1	When parameter write is performed from the computer, parameters are written to RAM.	

* When you have set write to RAM, powering off the inverter clears the parameter values that have been changed. Therefore the parameter values available when power is switched on again are those stored previously in E²PROM.

When changing parameter values frequently, set "1" in Pr. 342 to choose write to RAM.

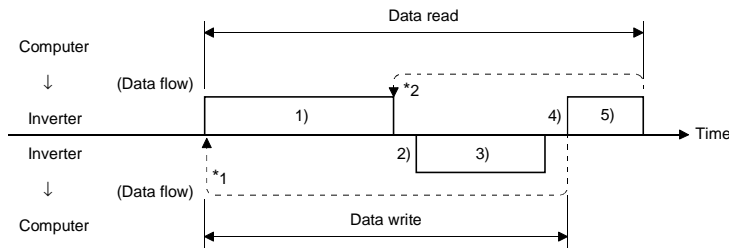
The Pr. 342 "E²PROM write selection" setting is also valid when the communication option is fitted.

Performing frequent parameter write with E²PROM write set will shorten the life of the E²PROM.

<Computer programming>

(1) Communication protocol

Data communication between the computer and inverter is performed using the following procedure:



- *1. If a data error is detected and a retry must be made, execute retry operation from the user program. The inverter comes to an alarm stop if the number of consecutive retries exceeds the parameter setting.
- *2. On receipt of a data error occurrence, the inverter returns "reply data 3)" to the computer again. The inverter comes to an alarm stop if the number of consecutive data errors reaches or exceeds the parameter setting.

(2) Communication operation presence/absence and data format types

Communication operation presence/absence and data format types are as follows:

No.	Operation	Run Command	Running Frequency	Parameter Write	Inverter Reset	Monitoring	Parameter Read
1)	Communication request is sent to the inverter in accordance with the user program.	A'	A	A	A	B	B
2)	Inverter data processing time	Present	Present	Present	Absent	Present	Present
3)	Reply data from the inverter(Data 1) is checked for error)	No error* (Request accepted)	C	C	C	E E'	E
		With error (request rejected)	D	D	D	F	F
4)	Computer processing delay time	Absent	Absent	Absent	Absent	Absent	Absent
5)	Answer from computer in response to reply data 3)(Data 3) is checked for error)	No error* (No inverter processing)	Absent	Absent	Absent	Absent	G
		With error. Inverter outputs 3) again.	Absent	Absent	Absent	Absent	H

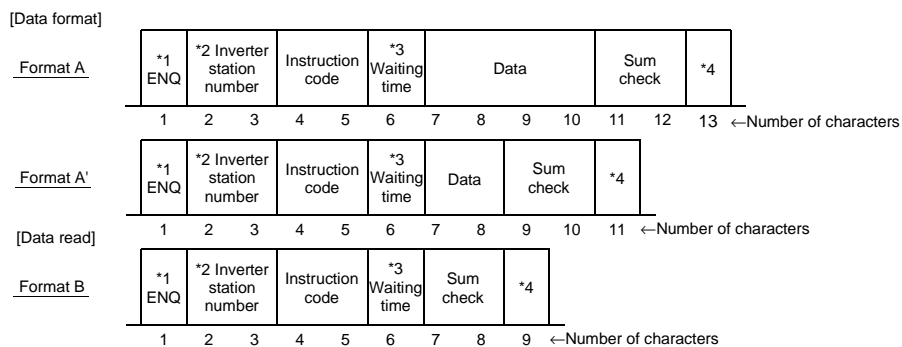
* In the communication request data given from the computer to the inverter, 10ms or more is also required after "no data error (ACK)". (Refer to page 134.)

(3) Data format

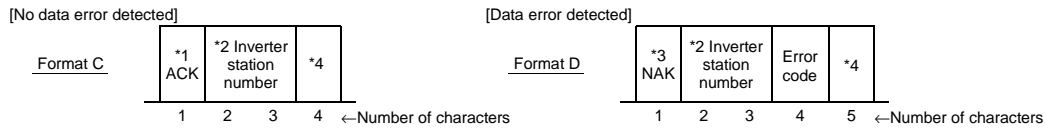
Hexadecimal data is used. Data is automatically transferred in ASCII between the computer and inverter.

(1) Data format types

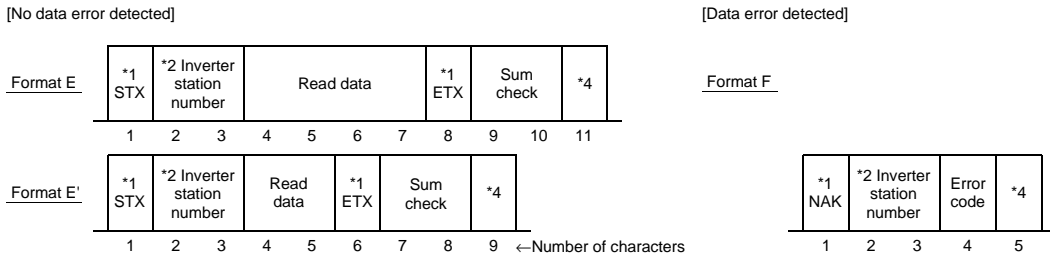
1) Communication request data from computer to inverter



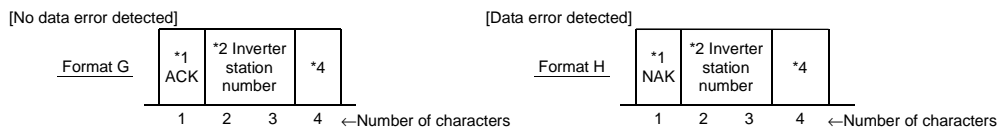
2) Reply data from inverter to computer during data write



3) Reply data from inverter to computer during data read



4) Send data from computer to inverter during data read



*1 Indicates the control code.
 *2 The inverter station numbers may be set between H00 and H1F (stations 0 to 31) in hexadecimal.
 *3 When Pr. 123 "waiting time setting" ≠ "9999", create the communication request data with no "waiting time" in the data format. (The number of characters decreases by 1.)
 *4 Indicates the CR or LF code.
 When data is transmitted from the computer to the inverter, codes CR (carriage return) and LF (line feed) are automatically set at the end of a data group on some computers. In this case, setting must also be made from the inverter according to the computer.
 Also, the presence and absence of the CR and LF codes can be selected using Pr. 124

(4) Data definitions

1) Control codes

Signal	ASCII Code	Description
STX	H02	Start of Text (Start of data)
ETX	H03	End of Text (End of data)
ENQ	H05	Enquiry (Communication request)
ACK	H06	Acknowledge (No data error detected)
LF	H0A	Line Feed
CR	H0D	Carriage Return
NAK	H15	Negative Acknowledge (Data error detected)

2) Inverter station number

Specify the station number of the inverter which communicates with the computer.

3) Instruction code

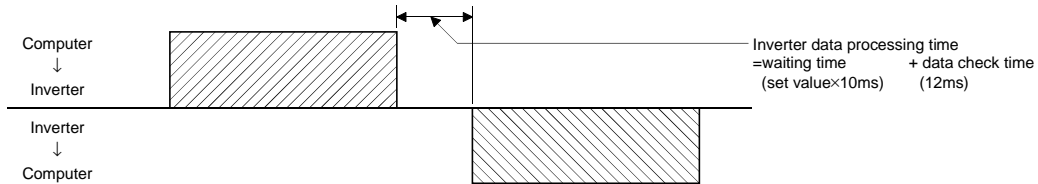
Specify the processing request (e.g. operation, monitoring) given by the computer to the inverter. Hence, the inverter can be run and monitored in various ways by specifying the instruction code as appropriate. (Refer to page 240.)

4) Data

Indicates the data such as frequency and parameters transferred to and from the inverter. The definitions and ranges of set data are determined in accordance with the instruction codes. (Refer to page 240.)

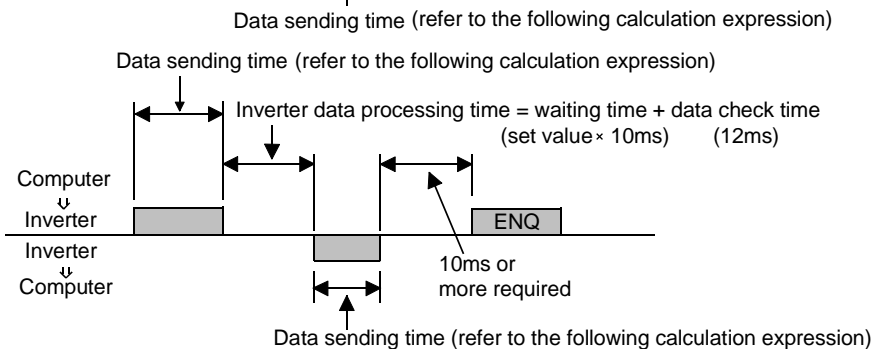
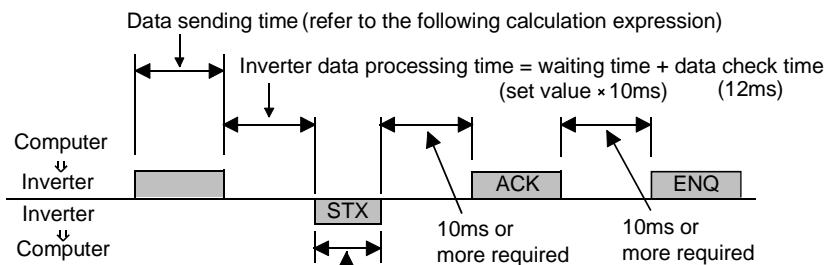
5) Waiting time

Specify the waiting time between the receipt of data at the inverter from the computer and the transmission of reply data. Set the waiting time in accordance with the response time of the computer between 0 and 150ms in 10ms increments (e.g. 1 = 10ms, 2 = 20ms).



ote : When Pr. 123 "waiting time setting" ≠, 9999, create the communication request data with no "waiting time" in the data format. (The number of characters is decreased by 1.)

6) Response time



[Data sending time calculation expression]

$$\frac{1}{\text{Communication speed (bps)}} \times \text{Number of data characters (Refer to page 121)} \times \text{Communication specification (Total number of bits) (See below)} = \text{Data sending time (s)}$$

●Communication specification

Name		Number of Bits
Stop bit length		1 bit
		2 bits
Data length		7 bits
		8 bits
Parity	Yes	1 bit
	No	0 bits

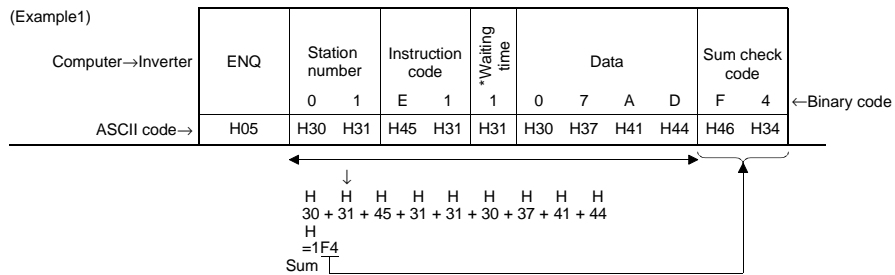
In addition to the bits in the above table, 1 bit is required for the start bit.

Minimum total number of bits ... 9 bits

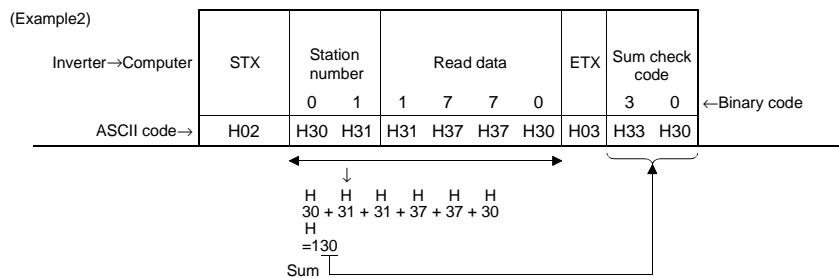
Maximum total number of bits ... 12 bits

7) Sum check code

The sum check code is 2-digit ASCII (hexadecimal) representing the lower 1 byte (8 bits) of the sum (binary) derived from the checked ASCII data.



When Pr. 123 "waiting time setting" ≠ 9999, create the communication request data with no "waiting time" in the data format. The number of characters is decreased by 1.)



8) Error code

If any error is found in the data received by the inverter, its definition is sent back to the computer together with the NAK code. (Refer to page 139.)

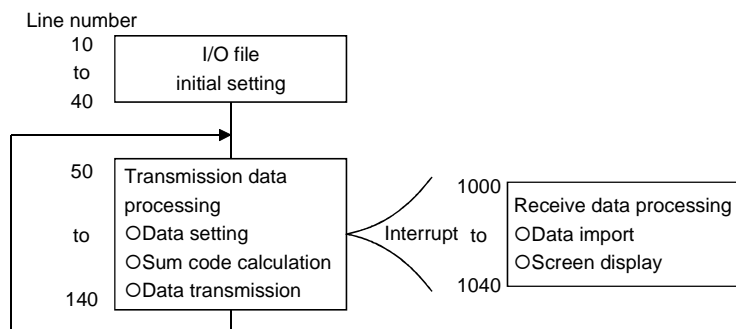
(5) Instructions for the program

- 1) When the data from the computer has an error, the inverter will not accept that data. Hence, in the user program, always insert a retry programs for date error.
- 2) Since any data communication, such as operation command or monitoring, is always requested by the computer, the inverter will not return data without the computer's request. Hence, design the program so that the computer gives a data read request for monitoring, etc. as required.
- 3) Program example

When the operation mode is switched to communication operation

10 OPEN "COM1: 9600, E, 8, 2, HD" AS #1	<u>Initial setting of I/O file</u>
20 COMST1, 1, 1: COMST1, 2, 1	: Communication file opening
30 ON COM (1) GOSUB*REC	: Circuit control signal (RS, ER) ON/OFF setting
40 COM (1) ON	: Interrupt definition at data receive
50 D\$= "01FB10002"	: Interrupt enable
60 S=0	<u>Transmission data setting</u>
70 FOR I=1 TO LEN (D\$)	
80 A\$=MID\$ (D\$, I, 1)	
90 A=ASC (A\$)	<u>Sum code calculation</u>
100 S=S+A	
110 NEXTI	
120 D\$=CHR\$ (&H5) +D\$+RIGHT\$ (HEX\$ (S) , 2)	: Addition of control and sum codes
130 PRINT#1, D\$	<u>Data transmission</u>
140 GOTO 50	
1000 *REC	<u>Interrupt data receive</u>
1010 IF LOC (1)=0 THEN RETURN	: Interrupt occurrence at data receive
1020 PRINT "RECEIVE DATA"	
1030 PRINT INPUT\$ (LOC (1) , #1)	
1040 RETURN	

General flowchart



! CAUTION

- ! When the inverter's communication check time interval is not set, interlocks are provided to disable operation to prevent hazard. Always set the communication check time interval before starting operation.
- ! Data communication is not started automatically but is made only when the computer provides a communication request. If communication is disabled during operation due to signal cable breakage etc, the inverter cannot be stopped. When the communication check time interval has elapsed, the inverter will come to an alarm stop (E.PUE).
The inverter can be coasted to a stop by switching on its RES signal or by switching power off.
- ! If communication is halted due to signal cable breakage, computer fault etc., the inverter does not detect such a fault. This should be fully noted.

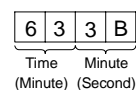
<Setting items and set data>

After completion of parameter setting, set the instruction codes and data and start communication from the computer to allow various types of operation control and monitoring.

No.	Item		Instruction Code	Description	Number of Data Digits																																																																																																																									
1	Operation mode	Read	H7B	H0000: Communication option operation H0001: External operation H0002: Communication operation (PU connector)	4 digits																																																																																																																									
		Write	HFB	H0000: Communication option operation H0001: External operation H0002: Communication operation (PU connector)																																																																																																																										
2	Monitoring	Output frequency [speed]	H6F	H0000 to HFFFF: Output frequency (hexadecimal) in 0.01Hz increments [Speed (hexadecimal) in r/min increments if Pr. 37 = 1 to 9998 or Pr. 144 = 2 to 10, 102 to 110.]	4 digits																																																																																																																									
		Output current	H70	H0000 to HFFFF: Output current (hexadecimal) in 0.01A increments	4 digits																																																																																																																									
		Output voltage	H71	H0000 to HFFFF: Output voltage (hexadecimal) in 0.1V increments	4 digits																																																																																																																									
		Special monitor	H72	H0000 to HFFFF: Monitored data selected by instruction code HF3	4 digits																																																																																																																									
		Special monitor selection No.	Read	H73	H01 to H0E Monitor selection data			2 digits																																																																																																																						
					H01	Output frequency	0.01Hz		H09	Regenerative brake	0.1%																																																																																																																			
					H02	Output current	0.01A		H0A	Electronic overcurrent protection load factor	0.1%																																																																																																																			
					H03	Output voltage	0.1V		H0B	Output current peak value	0.01A																																																																																																																			
			Write	HF3	H05	Frequency setting	0.01Hz		H0C	Converter output voltage peak value	0.1V																																																																																																																			
					H06	Running speed	1 r/min		H0D	Input power	0.01kW																																																																																																																			
H07	Motor torque				0.1%	H0E	Output power		0.01kW																																																																																																																					
H08	Converter output voltage				0.1V																																																																																																																									
Alarm definition	H74 to H77	H0000 to HFFFF: Two most recent alarm definitions			4 digits																																																																																																																									
		Read data: [Example] H30A0 (Previous alarm THT) (Most recent alarm OPT) <table style="margin-left: auto; margin-right: auto; border-collapse: collapse;"> <tr> <td style="text-align: center;">b15</td> <td style="text-align: center;">b8b7</td> <td style="text-align: center;">b0</td> </tr> <tr> <td style="text-align: center;">0</td><td style="text-align: center;">0</td><td style="text-align: center;">1</td><td style="text-align: center;">1</td><td style="text-align: center;">0</td><td style="text-align: center;">0</td><td style="text-align: center;">0</td><td style="text-align: center;">0</td><td style="text-align: center;">1</td><td style="text-align: center;">0</td><td style="text-align: center;">1</td><td style="text-align: center;">0</td><td style="text-align: center;">0</td><td style="text-align: center;">0</td><td style="text-align: center;">0</td><td style="text-align: center;">0</td> </tr> <tr> <td colspan="7" style="text-align: center;">Previous alarm (H30)</td> <td colspan="8" style="text-align: center;">Most recent alarm (HA0)</td> </tr> </table> Alarm data <table border="1" style="margin-left: auto; margin-right: auto; border-collapse: collapse; width: 100%;"> <thead> <tr> <th>Data</th><th>Description</th><th>Data</th><th>Descriptio</th><th>Data</th><th>Descriptio</th></tr> </thead> <tbody> <tr><td>H00</td><td>No alarm</td><td>H80</td><td>GF</td><td>HD5</td><td>MB1</td></tr> <tr><td>H10</td><td>0C1</td><td>H81</td><td>LF</td><td>HD6</td><td>MB2</td></tr> <tr><td>H11</td><td>0C2</td><td>H90</td><td>OHT</td><td>HD7</td><td>MB3</td></tr> <tr><td>H12</td><td>0C3</td><td>HA0</td><td>OPT</td><td>HD8</td><td>MB4</td></tr> <tr><td>H20</td><td>0V1</td><td>HA1</td><td>OP1</td><td>HD9</td><td>MB5</td></tr> <tr><td>H21</td><td>0V2</td><td>HA2</td><td>OP2</td><td>HDA</td><td>MB6</td></tr> <tr><td>H22</td><td>0V3</td><td>HA3</td><td>OP3</td><td>HDB</td><td>MB7</td></tr> <tr><td>H30</td><td>THT</td><td>HB0</td><td>PE</td><td>HF1</td><td>E. 1</td></tr> <tr><td>H31</td><td>THM</td><td>HB1</td><td>PUE</td><td>HF2</td><td>E. 2</td></tr> <tr><td>H40</td><td>FIN</td><td>HB2</td><td>RET</td><td>HF3</td><td>E. 3</td></tr> <tr><td>H50</td><td>IPF</td><td>HC1</td><td>CTE</td><td>HF6</td><td>E. 6</td></tr> <tr><td>H51</td><td>UVT</td><td>HC2</td><td>P24</td><td>HF7</td><td>E. 7</td></tr> <tr><td>H60</td><td>OLT</td><td>HD1</td><td>OSD</td><td></td><td></td></tr> <tr><td>H70</td><td>BE</td><td>HD2</td><td>ECT</td><td></td><td></td></tr> </tbody> </table>				b15	b8b7	b0	0	0	1	1	0	0	0	0	1	0	1	0	0	0	0	0	Previous alarm (H30)							Most recent alarm (HA0)								Data	Description	Data	Descriptio	Data	Descriptio	H00	No alarm	H80	GF	HD5	MB1	H10	0C1	H81	LF	HD6	MB2	H11	0C2	H90	OHT	HD7	MB3	H12	0C3	HA0	OPT	HD8	MB4	H20	0V1	HA1	OP1	HD9	MB5	H21	0V2	HA2	OP2	HDA	MB6	H22	0V3	HA3	OP3	HDB	MB7	H30	THT	HB0	PE	HF1	E. 1	H31	THM	HB1	PUE	HF2	E. 2	H40	FIN	HB2	RET	HF3	E. 3	H50	IPF	HC1	CTE	HF6	E. 6	H51	UVT	HC2	P24	HF7	E. 7	H60	OLT	HD1	OSD			H70	BE	HD2
b15	b8b7	b0																																																																																																																												
0	0	1	1	0	0	0	0	1	0	1	0	0	0	0	0																																																																																																															
Previous alarm (H30)							Most recent alarm (HA0)																																																																																																																							
Data	Description	Data	Descriptio	Data	Descriptio																																																																																																																									
H00	No alarm	H80	GF	HD5	MB1																																																																																																																									
H10	0C1	H81	LF	HD6	MB2																																																																																																																									
H11	0C2	H90	OHT	HD7	MB3																																																																																																																									
H12	0C3	HA0	OPT	HD8	MB4																																																																																																																									
H20	0V1	HA1	OP1	HD9	MB5																																																																																																																									
H21	0V2	HA2	OP2	HDA	MB6																																																																																																																									
H22	0V3	HA3	OP3	HDB	MB7																																																																																																																									
H30	THT	HB0	PE	HF1	E. 1																																																																																																																									
H31	THM	HB1	PUE	HF2	E. 2																																																																																																																									
H40	FIN	HB2	RET	HF3	E. 3																																																																																																																									
H50	IPF	HC1	CTE	HF6	E. 6																																																																																																																									
H51	UVT	HC2	P24	HF7	E. 7																																																																																																																									
H60	OLT	HD1	OSD																																																																																																																											
H70	BE	HD2	ECT																																																																																																																											

No.	Item	Instruction Code	Description	Number of Data Digits																									
3	Run command	HFA	<div style="display: flex; justify-content: space-between;"> <div style="text-align: center;"> <p>b7</p> <table border="1" style="border-collapse: collapse;"> <tr> <td style="padding: 2px 5px;">0</td> <td style="padding: 2px 5px;">0</td> <td style="padding: 2px 5px;">0</td> <td style="padding: 2px 5px;">0</td> <td style="padding: 2px 5px;">0</td> <td style="padding: 2px 5px;">0</td> <td style="padding: 2px 5px;">0</td> <td style="padding: 2px 5px;">1</td> <td style="padding: 2px 5px;">0</td> </tr> </table> <p>(For example 1) [Example 1] H02 ... Forward rotation [Example 2] H00 ... Stop</p> </div> <div style="text-align: center;"> <p>b0</p> <p>b0: _____ b1: Forward rotation (STF) b2: Reverse rotation (STR) b3: _____ b4: _____ b5: _____ b6: _____ b7: _____</p> </div> </div>	0	0	0	0	0	0	0	1	0	2 digits																
0	0	0	0	0	0	0	1	0																					
4	Inverter status monitor	H7A	<div style="display: flex; justify-content: space-between;"> <div style="text-align: center;"> <p>b7</p> <table border="1" style="border-collapse: collapse;"> <tr> <td style="padding: 2px 5px;">0</td> <td style="padding: 2px 5px;">0</td> <td style="padding: 2px 5px;">0</td> <td style="padding: 2px 5px;">0</td> <td style="padding: 2px 5px;">0</td> <td style="padding: 2px 5px;">0</td> <td style="padding: 2px 5px;">0</td> <td style="padding: 2px 5px;">1</td> <td style="padding: 2px 5px;">0</td> </tr> </table> <p>(For example 1) [Example 1] H02 ... During forward rotation [Example 2] H80 ... Stop due to alarm</p> </div> <div style="text-align: center;"> <p>b0</p> <p>b0: Inverter running (RUN) * b1: Forward rotation (STF) b2: Reverse rotation (STR) b3: Up to frequency (SU) * b4: Overload (OL) * b5: Instantaneous power failure (IPF) * b6: Frequency detection (FU) * b7: Alarm occurrence *</p> </div> </div> <p>*The output data depends on the Pr. 190 to Pr. 195 settings.</p>	0	0	0	0	0	0	0	1	0	2 digits																
0	0	0	0	0	0	0	1	0																					
5	Set frequency read (E ² PROM)	H6E	Reads the set frequency (RAM or E ² PROM). H0000 to H9C40: 0.01Hz increments (hexadecimal)	4 digits																									
	Set frequency read (RAM)	H6D																											
	Set frequency write (E ² PROM)	HEE			H0000 to H9C40: 0.01Hz increments (hexadecimal) (0 to 400.00 Hz) To change the set frequency consecutively, write data to the inverter RAM. (Instruction code: HED)																								
	Set frequency write (RAM)	HED																											
6	Inverter reset	HFD	H9696: Resets the inverter. As the inverter is reset at start of communication by the computer, the inverter cannot send reply data back to the computer.	4 digits																									
7	Alarm definition batch clear	HF4	H9696: Batch clear of alarm history	4 digits																									
8	parameter all clear	HFC	All parameters return to the factory settings. Any of four different clear operations is performed according to the data. <table border="1" style="border-collapse: collapse; margin: 10px auto;"> <thead> <tr> <th style="text-align: center;">Pr. Data</th> <th style="text-align: center;">Communi- cation Pr.</th> <th style="text-align: center;">Calibration</th> <th style="text-align: center;">Other Pr. *</th> <th style="text-align: center;">HEC HF3 HFF</th> </tr> </thead> <tbody> <tr> <td style="text-align: center;">H9696</td> <td style="text-align: center;">○</td> <td style="text-align: center;">×</td> <td style="text-align: center;">○</td> <td style="text-align: center;">○</td> </tr> <tr> <td style="text-align: center;">H9966</td> <td style="text-align: center;">○</td> <td style="text-align: center;">○</td> <td style="text-align: center;">○</td> <td style="text-align: center;">○</td> </tr> <tr> <td style="text-align: center;">H5A5A</td> <td style="text-align: center;">×</td> <td style="text-align: center;">×</td> <td style="text-align: center;">○</td> <td style="text-align: center;">○</td> </tr> <tr> <td style="text-align: center;">H55AA</td> <td style="text-align: center;">×</td> <td style="text-align: center;">○</td> <td style="text-align: center;">○</td> <td style="text-align: center;">○</td> </tr> </tbody> </table> When all parameter clear is executed for H9696 or H9966, communication-related parameter settings also return to the factory settings. When resuming operation, set the parameters again. *Pr. 75 value is not cleared	Pr. Data	Communi- cation Pr.	Calibration	Other Pr. *	HEC HF3 HFF	H9696	○	×	○	○	H9966	○	○	○	○	H5A5A	×	×	○	○	H55AA	×	○	○	○	4 digits
Pr. Data	Communi- cation Pr.	Calibration	Other Pr. *	HEC HF3 HFF																									
H9696	○	×	○	○																									
H9966	○	○	○	○																									
H5A5A	×	×	○	○																									
H55AA	×	○	○	○																									
9	User clear	HFC	H9669: User clear is made. <table border="1" style="border-collapse: collapse; margin: 10px auto;"> <thead> <tr> <th style="text-align: center;">Communication Pr.</th> <th style="text-align: center;">Calibration</th> <th style="text-align: center;">Other Pr.*</th> <th style="text-align: center;">HEC HF3 HFF</th> </tr> </thead> <tbody> <tr> <td style="text-align: center;">○</td> <td style="text-align: center;">×</td> <td style="text-align: center;">○</td> <td style="text-align: center;">○</td> </tr> </tbody> </table> *Pr. 75, Pr. 180 to Pr. 186 and Pr. 190 to Pr. 195 values are not cleared.	Communication Pr.	Calibration	Other Pr.*	HEC HF3 HFF	○	×	○	○	4 digits																	
Communication Pr.	Calibration	Other Pr.*	HEC HF3 HFF																										
○	×	○	○																										
10	Parameter write	H80 to HE3	Refer to the data list (Appendix 1) and write and/or read parameter values as required.	4 digits																									
11	Parameter read	H00 to H63																											
12	Link parameter expansion setting	Read	H7F	Changes the parameter details by setting H00 to H09. For details of setting values, refer to the parameter data code list (page 240)	2 digits																								
		Write	HFF																										

No.	Item		Instruction Code	Description	Number of Data Digits
13	Second parameter changing (Code FF = 1)	Read	H6C	When setting the programmed operation (data code H3D to H5A, HBD to HDA) parameter H00: Running frequency H01: Time H02: Rotation direction	2 digits
		Write	HEC	When setting the bias/gain (data code H5E to H61, HDE to HE1) parameter H00: Offset/gain H01: Analog H02: Analog value of terminal	



REMARKS

Once the HFF, HEC or HF3 instruction code is written, the set value is held, but is reset to 0 when the inverter is reset or all clear is performed.

<Error code list>

The corresponding error code in the following list is displayed if an error is detected in any communication request data from the computer.

Error Code	Item	Definition	Inverter Operation
H0	Computer NAK error	The number of errors consecutively detected in communication request data from the computer is greater than allowed number of retry times.	Brought to an alarm stop (E.PUE) if error occurs continuously more than the allowable number of retry times.
H1	Parity error	The parity check result does not match the specified parity.	
H2	Sum check error	The sum check code in the computer does not match that of the data received by the inverter.	
H3	Protocol error	Data received by the inverter is in the wrong protocol, data receive is not completed within the given time, or CR and LF are not as set in the parameter.	
H4	Framing error	The stop bit length is not as specified.	
H5	Overrun error	New data has been sent by the computer before the inverter completes receiving the preceding data.	
H6	-----	-----	-----
H7	Character error	The character received is invalid (other than 0 to 9, A to F, control code)	Does not accept receive data but is not brought to an alarm stop.
H8	-----	-----	-----
H9	-----	-----	-----
HA	Mode error	Parameter write was attempted in other than the computer link operation mode or during inverter operation.	Does not accept or receive data but is not brought to an alarm stop.
HB	Instruction code error	The specified command does not exist.	
HC	Data range error	Invalid data has been specified for parameter write, frequency setting, etc.	
HD	-----	-----	-----
HE	-----	-----	-----
HF	-----	-----	-----

(6) Communication specifications for RS-485 communication

Operation Location	Item	Operation Mode		
		Communication Operation from PU Connector	External Operation	Computer Link Operation (plug-in option used)
Computer user program via PU connector	Run command (start)	Enable	Disable	Disable
	Running frequency setting	Enable	Enable (Combined operation mode)	Disable
	Monitoring	Enable	Enable	Enable
	Parameter write	Enable (*4)	Disable (*4)	Disable (*4)
	Parameter read	Enable	Enable	Enable
	Inverter reset	Enable (*2)	Enable (*2)	Enable (*2)
	Stop command (*3)	Enable	Enable	Enable
Computer user program via plug-in option	Run command	Disable	Disable	Enable (*1)
	Running frequency setting	Disable	Disable	Enable (*1)
	Monitoring	Enable	Enable	Enable
	Parameter write	Disable (*4)	Disable (*4)	Enable (*4)
	Parameter read	Enable	Enable	Enable
	Inverter reset	Disable	Disable	Enable (*2)
	Stop command (*3)	Disable	Disable	Enable
Control circuit terminal	Inverter reset	Enable	Enable	Enable
	Run command	Disable	Enable	Enable (*1)
	Running frequency setting	Disable	Enable	Enable (*1)

(*1) As set in the operation and speed command source parameters.

(*2) At occurrence of RS-485 communication fault, the inverter cannot be reset from the computer.

(*3) As set in Pr. 75.

(*4) As set in Pr. 77.

(7) Operation at alarm occurrence

Fault Location	Status		Operation Mode		
			Communication Operation (PU connector)	External Operation	Computer link Operation (plug-in option used)
Inverter fault	Inverter operation		Stop	Stop	Stop
	Communication	PU connector	Continued	Continued	Continued
		Plug-in option	Continued	Continued	Continued
Communication error (communication from PU connector)	Inverter operation		Stop/continued (*5)	Continued	Continued
	Communication	PU connector	Stop	Stop	Stop
		Plug-in option	Continued	Continued	Continued
Communication error (plug-in option)	Inverter operation		Continued	Continued	Stop/continued (*6)
	Communication	PU connector	Continued	Continued	Continued
		Plug-in option	Stop	Stop	Stop

(*5) Can be selected using the corresponding parameter (factory-set to continue)

(*6) Can be selected using the corresponding parameter (factory-set to stop)

(8) Communication error

Fault Location	Error Message
Communication error (communication error from PU connector)	E.PUE
Option fault (communication line fault)	E.OP1 to E.OP3
Communication error (plug-in option fault)	E. 1 to E. 3

4.2.42 PID control (Pr. 128 to Pr. 134)

Pr. 128 "PID action selection"

Pr. 129 "PID proportional band"

Pr. 130 "PID integral time"

Pr. 131 "upper limit"

Pr. 132 "lower limit"

Pr. 133 "PID action set point for PU operation"

Pr. 134 "PID differential time"

Related parameters
 Pr. 73 "0-5V/0-10V selection"
 Pr. 79 "operation mode selection"
 Pr. 180 to Pr. 186
 (input terminal assignment)
 Pr. 190 to Pr. 195
 (output terminal assignment)
 Pr. 902 to Pr. 905
 (frequency setting voltage
 (current) biases and gains)

The inverter can be used to exercise process control, e.g. flow rate, air volume or pressure.

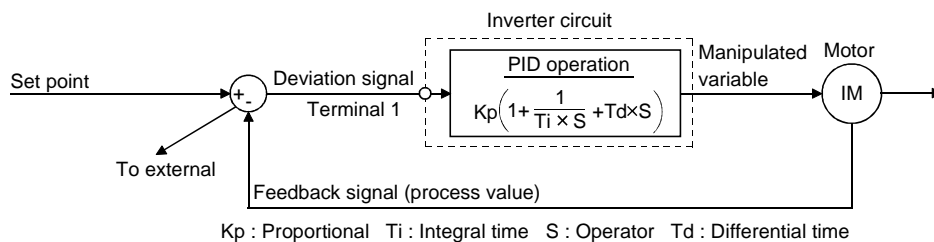
- The voltage input signal (0 to ±5V or 0 to ±10V) or Pr. 133 setting is used as a set point and the 4 to 20mADC current input signal used as a feedback value to constitute a feedback system for PID control.

Parameter Number	Factory Setting	Setting Range	Remarks
128	10	10, 11, 20, 21	
129	100%	0.1 to 1000%, 9999	9999: No proportional control
130	1 s	0.1 to 3600 s, 9999	9999: No integral control
131	9999	0 to 100%, 9999	9999: Function invalid
132	9999	0 to 100%, 9999	9999: Function invalid
133	0%	0 to 100%	
134	9999	0.01 to 10.00 s, 9999	9999: No differential control

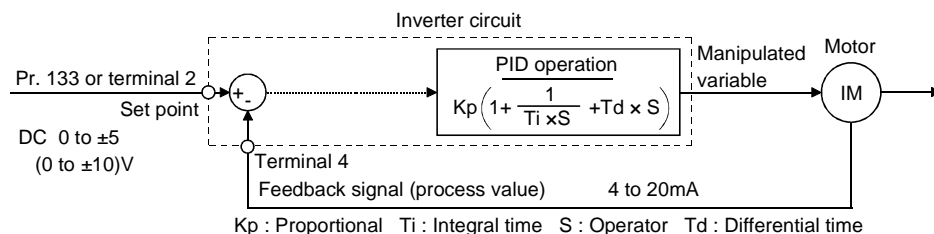
<Setting>

(1) Basic PID control configuration

Pr. 128 = 10, 11



Pr. 128 = 20, 21



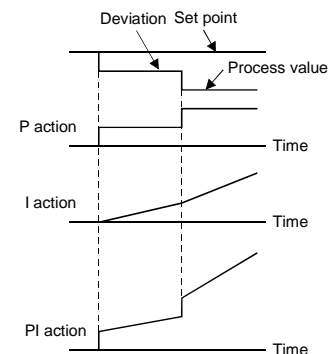
(2) PID action overview

1) PI action

A combination of proportional control action (P) and integral control action (I) for providing a manipulated variable in response to deviation and changes with time.

[Operation example for stepped changes of process value]

Note: PI action is the sum of P and I actions.

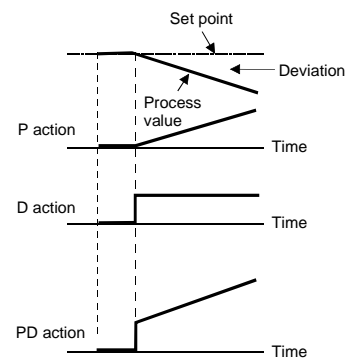


2) PD action

A combination of proportional control action (P) and differential control action (D) for providing a manipulated variable in response to deviation speed to improve the transient characteristic.

[Operation example for proportional changes of process value]

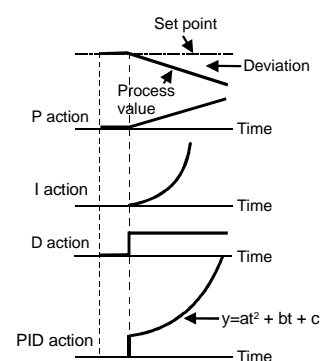
Note: PD action is the sum of P and D actions.



3) PID action

The PI action and PD action are combined to utilize the advantages of both actions for control.

Note: The PID action is the sum of P and I and D actions.



4) Reverse action

Increases the manipulated variable (output frequency) if deviation X (set point - process value) is positive, and decreases the manipulated variable if deviation is negative.



5) Forward action

Increases the manipulated variable (output frequency) if deviation X (set point - process value) is negative, and decreases the manipulated variable if deviation is positive.

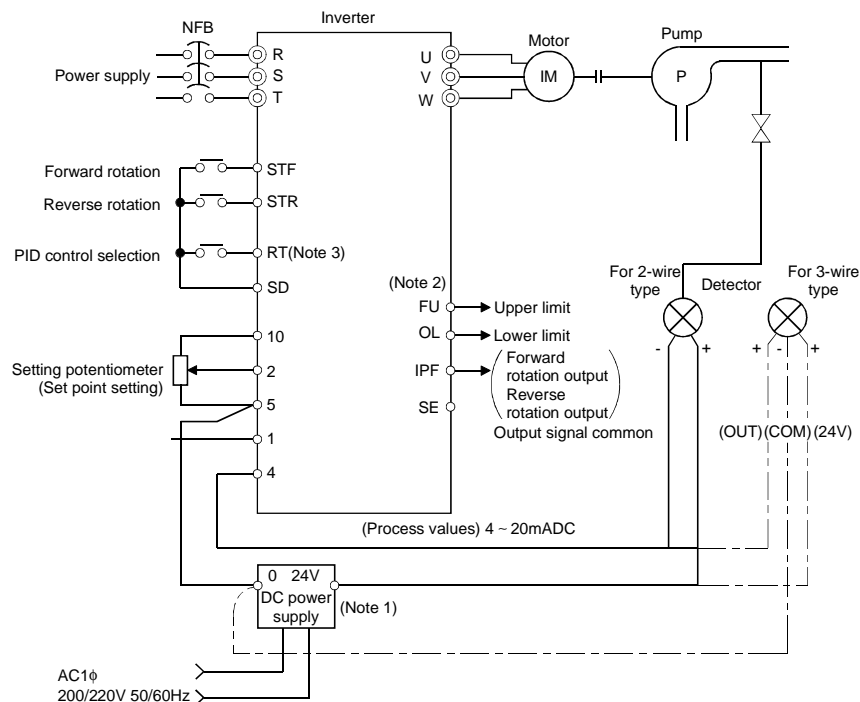


Relationships between deviation and manipulated variable (output frequency)

	Deviation	
	Positive	Negative
Reverse action	↗	↘
Forward action	↘	↗

(3) Wiring example

- Sink logic
- Pr. 128 = 20
- Pr. 183 = 14
- Pr. 192 = 16
- Pr. 193 = 14
- Pr. 194 = 15



- Note: 1. The power supply must be selected in accordance with the power specifications of the detector used.
 2. The output signal terminals used depends on the Pr. 191 to Pr. 194 settings.
 3. The input signal terminals used depends on the Pr. 180 to Pr. 186 settings.

(4) I/O signals

Signal	Terminal Used	Function	Description	Remarks	
Input	X14	Depending on Pr. 180 to Pr. 186	PID control selection	Switch on X14 to select PID control.	Set any of "10, 11, 20 and 21" in Pr. 128.
	2	2	Set point input	Enter the set point for PID control.	Pr. 128 = 20, 21
	1	1	Deviation signal input	Enter the deviation signal calculated externally.	Pr. 128 = 10, 11
	4	4	Process value input	Enter the 4-20mADC process value signal from the detector.	Pr. 128 = 20, 21
Output	FUP	Depending on Pr. 190 to Pr. 195	Upper limit output	Output to indicate that the process value signal exceeded the upper limit value.	(Pr. 128 = 20, 21)
	FDN		Lower limit output	Output to indicate that the process value signal exceeded the lower limit value.	
	RL		Forward (reverse) rotation direction output	"Hi" is output to indicate that the output indication of the parameter unit is forward rotation (FWD) or "Low" to indicate that it is reverse rotation (REV) or stop (STOP).	(Pr. 128 = 10, 11, 20, 21)
	SE	SE	Output terminal common	Common to terminals FUP, FDN and RL	

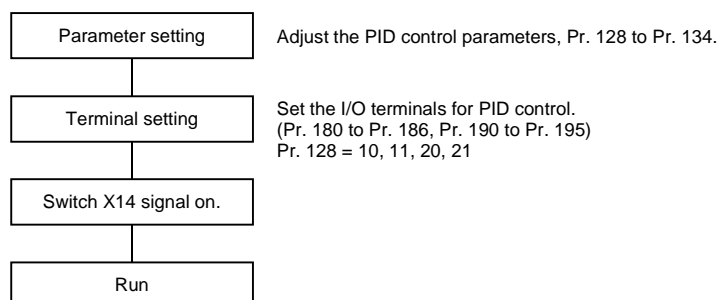
- To start PID control, switch on the X14 signal. When this signal is off, ordinary inverter operation is performed without the PID action being performed.
- Enter the set point across inverter terminals 2-5 or into Pr. 133 and enter the process value signal across inverter terminals 4-5. At this time, set "20" or "21" in Pr. 128.
- When entering the externally calculated deviation signal, enter it across terminals 1-5. At this time, set "10" or "11" in Pr. 128.

Item	Entry	Description	
Set point	Across terminals 2-5	Set 0V as 0% and 5V as 100%.	When "1, 3, 5, 11, 13 or 15" is set in Pr. 73 (5V selected for terminal 2).
		Set 0V as 0% and 10V as 100%.	When "0, 2, 4, 10, 12 or 14" is set in Pr. 73 (10V selected for terminal 2).
Set point	Pr. 133	Set the set point (%) in Pr. 133.	
Deviation signal	Across terminals 1-5	Set -5V as -100%, 0V as 0% and +5V as +100%.	When "2, 3, 5, 12, 13 or 15" is set in Pr. 73 (5V selected for terminal 1).
		Set -10V as -100%, 0V as 0% and +10V as +100%.	When "0, 1, 4, 10, 11 or 14" is set in Pr. 73 (10V selected for terminal 1).
Process value	Across terminals 4-5	4mADC is equivalent to 0% and 20mADC to 100%.	

(5) Parameter setting

Parameter Number	Setting	Name	Description		
128	10	PID action selection	For heating, pressure control, etc.	Deviation value signal input (terminal 1)	PID reverse action
	11		For cooling, etc.		PID forward action
	20		For heating, pressure control, etc.	Set point (No.2 terminal or Pr. 133), measured value input (No.4 terminal)	PID reverse action
	21		For cooling, etc.		PID forward action
129	0.1 to 1000%	PID proportional band	If the proportional band is narrow (parameter setting is small), the manipulated variable varies greatly with a slight change of the process value. Hence, as the proportional band narrows, the response sensitivity (gain) improves but the stability deteriorates, e.g. hunting occurs. Gain $K = 1/\text{proportional band}$		
	9999		No proportional control		
130	0.1 to 3600 s	PID integral time	Time required for the integral (I) action to provide the same manipulated variable as that for the proportional (P) action. As the integral time decreases, the set point is reached earlier but hunting occurs more easily.		
	9999		No integral control.		
131	0 to 100%	Upper limit	Set the upper limit. If the feedback value exceeds the setting, the FUP signal is output. (Process value of 4mA is equivalent to 0% and 20mA to 100%.)		
	9999		No function		
132	0 to 100%	Lower limit	Set the lower limit. (If the process value did not reach the setting range, an alarm can be output. In this case, the process value of 4mA is equivalent to 0% and 20mA to 100%.)		
	9999		No function		
133	0 to 100%	PID action set point for PU operation	Only valid for the PU command in the PU operation or PU/external combined mode. For external operation, the voltage across 2-5 is the set point. (Pr. 902 value is equivalent to 0% and Pr. 903 value to 100%.)		
134	0.01 to 10.00 s	PID differential time	Time only required for the differential (D) action to provide the same process value as that for the proportional (P) action. As the differential time increases, greater response is made to a deviation change.		
	9999		No differential control.		

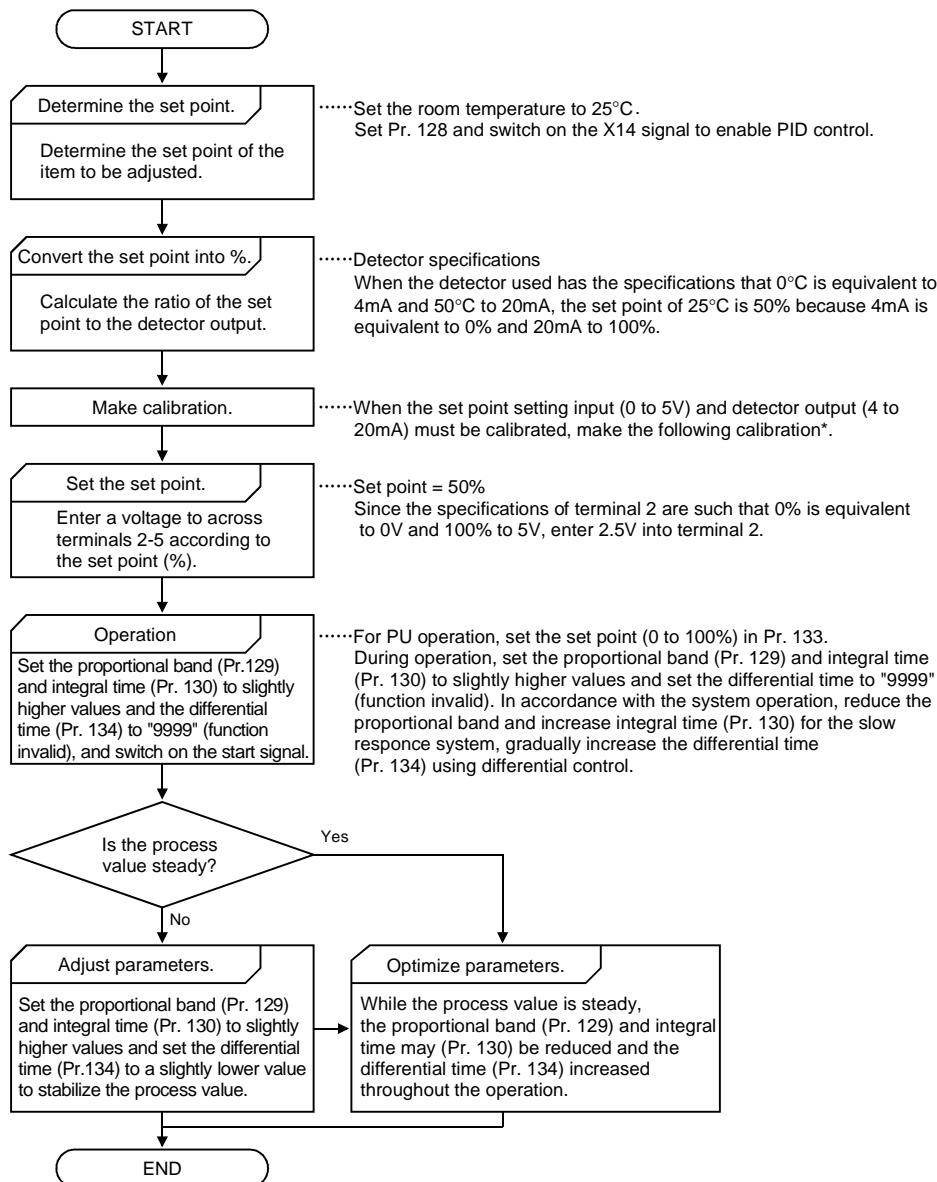
(6) Adjustment procedure



(7) Calibration example

(A detector of 4mA at 0°C and 20mA at 50°C is used to adjust the room temperature to 25°C under PID control.

The set point is given to across inverter terminals 2-5 (0-5V).)



*When calibration is required, use Pr. 902 and Pr. 903 (terminal 2) or Pr. 904 and Pr. 905 (terminal 4) to calibrate the detector output and set point setting input. Perform calibration in the PU mode during an inverter stop.

<Set point input calibration>

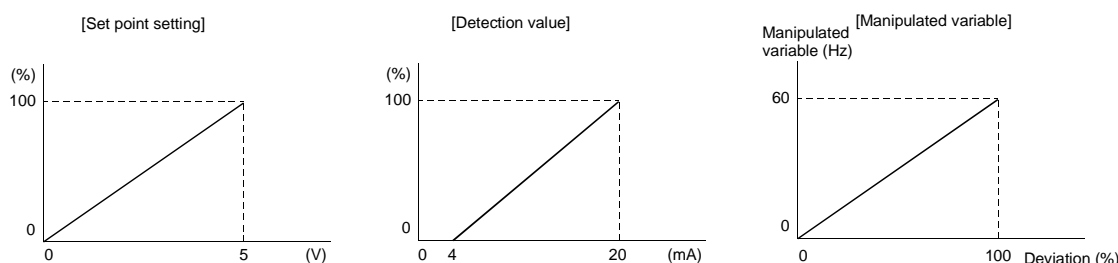
1. Apply the input voltage of 0% set point setting (e.g. 0V) to across terminals 2-5.
2. Make calibration using Pr. 902. At this time, enter the frequency which should be output by the inverter at the deviation of 0% (e.g. 0Hz).
3. Apply the voltage of 100% set point setting (e.g. 5V) to across terminals 2-5.
4. Make calibration using Pr. 903. At this time, enter the frequency which should be output by the inverter at the deviation of 100% (e.g. 60Hz).

<Detector output calibration>

1. Apply the output current of 0% detector setting (e.g. 4mA) to across terminals 4-5.
2. Make calibration using Pr. 904.
3. Apply the output current of 100% detector setting (e.g. 20mA) to across terminals 4-5.
4. Make calibration using Pr. 905.

Note: The frequencies set in Pr. 904 and Pr. 905 should be the same as set in Pr. 902 and Pr. 903.

The results of the above calibration are as shown below:



- Note:
1. If the multi-speed (RH, RM, RL) signal or jog operation (JOG) signal is entered with the X14 signal on, PID control is stopped and multi-speed or jog operation is started.
 2. When "20" or "21" is set in Pr. 128, note that the input across inverter terminals 1-5 is added to the set point across terminals 2-5.
 3. When "5" (programmed operation mode) is selected for Pr. 79, PID control operation cannot be performed. In this setting, programmed operation is performed.
 4. When "6" (switch-over mode) is selected for Pr. 79, PID is made invalid.
 5. When "9999" is set in Pr. 22, the stall prevention level is the value entered from terminal 1. To use terminal 1 as the edit input terminal for PID, set a value other than "9999" in Pr. 22.
 6. When "1" (online auto tuning) is selected for Pr. 95, PID control is made invalid.
 7. When the terminal functions are changed using Pr. 180 to Pr. 186 and/or Pr. 190 to Pr. 195, the other functions may be affected. Confirm the functions of the corresponding terminals before making settings.
 8. When PID control is selected, the minimum frequency is the frequency set in Pr. 902 and the maximum frequency is the frequency set in Pr. 903.
(The Pr. 1 "maximum frequency" and Pr. 2 "minimum frequency" settings are also valid.)

4.2.43 Commercial power supply-inverter switch-over function (Pr. 135 to Pr. 139)

Pr. 135 "commercial power supply-inverter switch-over sequence output terminal selection"

Pr. 136 "MC switch-over interlock time"

Pr. 137 "start waiting time"

Pr. 138 "commercial power supply-inverter switch-over selection at alarm occurrence"

Pr. 139 "automatic inverter-commercial power supply switch-over frequency"

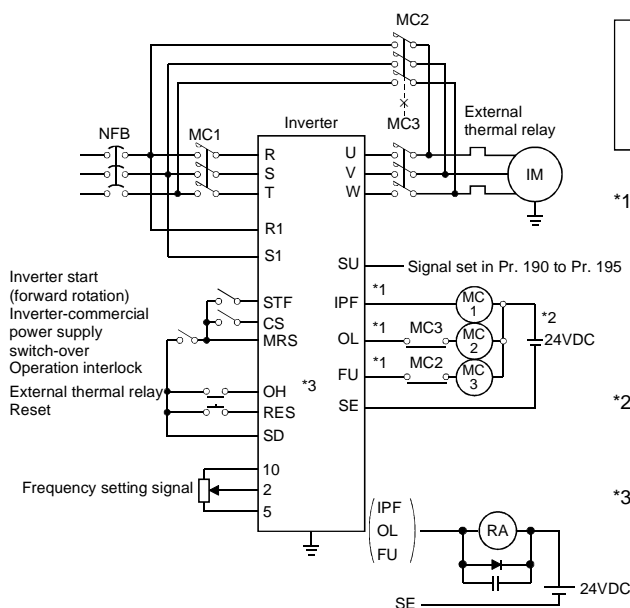
Related parameters
 Pr. 11 "DC injection brake operation time"
 Pr. 57 "restart coasting time"
 Pr. 58 "restart cushion time"
 Pr. 180 to Pr. 186
 (input terminal function selection)
 Pr. 190 to Pr. 195
 (output terminal function selection)

The inverter contains a complicated sequence circuit for commercial power supply-inverter operation switch-over. Hence, the magnetic contactors for switch-over can be interlocked easily by merely entering the start, stop or automatic switch-over select signal.

Parameter Number	Factory Setting	Setting Range	Remarks
135	0	0, 1	
136	0.1 s	0 to 100.0 s	
137	0.5 s	0 to 100.0 s	
138	0	0,1	
139	9999	0 to 60.0Hz, 9999	9999: No automatic switch-over

(1) Wiring example

Sink logic, Pr. 185 = 7, Pr. 186 = 6, Pr. 192 = 17, Pr. 193 = 18, Pr. 194 = 19



Note: ·This switch-over function is used in the external operation mode. Always connect terminals R1, S1 to a different power supply (power supply different from the one for MC1) to ensure proper operation.
 ·MC2 and MC3 must be mechanically interlocked.

*1. Note the sequence output terminal capacities. The terminals used depend on the Pr. 190 to Pr. 195 settings.

Output Terminal Capacity	Permissible Output Terminal Load
Inverter's open collector outputs (IPF, OL, FU)	24VDC 0.1A
FR-A5AR (option output)	230VAC 0.3A 30VDC 0.3A

*2. When connecting an AC power supply, connect the FR-A5AR option and use the contact output. When connecting a DC power supply, install the following protective diode.

*3. The terminals used depend on the Pr. 180 to Pr. 186 settings.

- Roles of the magnetic contactors (MC1, MC2, MC3)

Magnetic Contactor	Place of Installation	Role
MC1	Between power supply and inverter	Normally shorted with the following exception: Opened only when an inverter fault occurs (shorted again by resetting)
MC2	Between power supply and motor	Shorted for commercial power supply operation, opened for inverter operation. Shorted when an inverter fault occurs (selected with parameter, except for external thermal relay operation)
MC3	Between inverter output and motor	Shorted for inverter operation, opened for commercial power supply operation Opened when an inverter fault occurs

</O signals>

1) When this function is used (Pr. 135 = "1"), the input signals are switched on-off as indicated below:

Signal	Terminal Used	Function	On-Off	MC Operation (O:ON, x:OFF)		
				MC1	MC2	MC3
MRS	MRS	Operation enable/ disable selection	Commercial power supply- inverter operation enableON	○	–	–
			Commercial power supply- inverter operation disableOFF	○	×	Unchanged
CS	Depending on Pr. 180 to Pr.186	Inverter-commercial power supply switch- over	Inverter operation ON	○	×	○
			Commercial power supply operation.....OFF	○	○	×
STF (STR)	STF (STR)	Inverter operation command (invalid for commercial power supply) (Note)	Forward (reverse) rotationON	○	×	○
			Stop.....OFF	○	×	○
OH	Depending on Pr. 180 to Pr.186	External thermal relay input	Motor normal.....ON	○	–	–
			Motor fault.....OFF	×	×	×
RES	RES	Operating condition initialization	Initialization.....ON	Unchanged	×	Unchanged
			Normal operation...OFF	○	–	–

Note: • In the above MC operation field, [-] indicates that MC1 is on, MC2 is off and MC3 is on in inverter operation and MC1 is on, MC2 is on and MC3 is off in commercial power supply operation. [Unchanged] indicates that the status before signal-on or -off is held.

- The CS signal only functions when the MRS signal is on. STF (STR) only functions when MRS and CS are on.
- MC1 switches off when an inverter fault occurs.
- If the MRS signal is not switched on, neither commercial power supply nor inverter operation can be performed.
- For the RES signal, reset input acceptance selection can be made using reset selection (Pr. 75).

2) The output signals are output as follows:

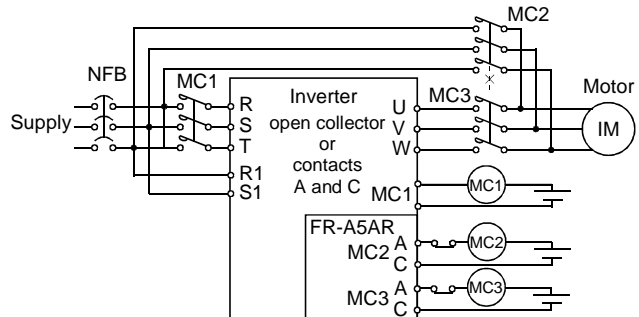
Signal	Terminal Used	Description
MC1	Depending on Pr. 190 to Pr. 195	MC1's operation signal is output
MC2		MC2's operation signal is output
MC3		MC3's operation signal is output

(Note) When the commercial power supply-inverter switch-over sequence function is activated with the FR-A5AR mounted, a magnet contactor repeats switch on/off. Always use in the following connection diagram.

1) Recommended connection example 1

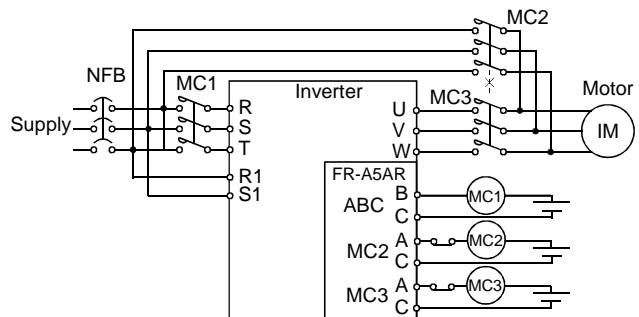
Use inverter output terminals (Contact signal, open collector signal) instead of MC1 signals.

The phenomenon occurs when relay output of the FR-A5AR is used as MC1 signal.



2) Recommended connection example 2

When using relay output of the FR-A5AR, set the alarm output signal (ABC) instead of the MC1 signal and output it from contacts B and C.



(2) Parameter setting

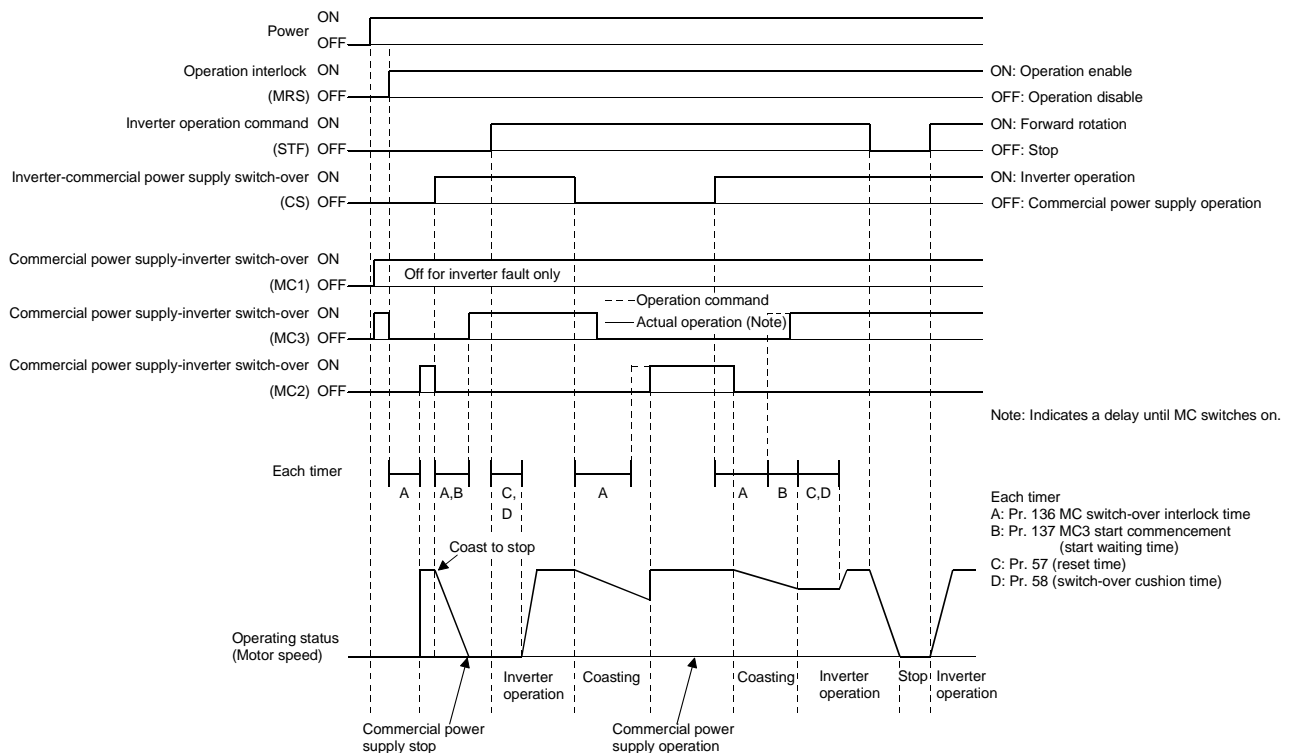
Parameter Number	Name	Setting	Description
135	Commercial power supply-inverter switch-over sequence output terminal selection	0	Sequence output is not provided. (Pr. 136, Pr. 137, Pr. 138 and Pr. 139 settings are ignored.)
		1	Sequence output is provided. When MC1 to MC3 are assigned with Pr. 190 to Pr. 195 (output terminal function selection), open collector outputs are provided. When they are not assigned, relay outputs are provided from the FR-A5AR (option).
136	MC switch-over interlock time	0 to 100.0 s	Sets the MC2 and MC3 operation interlock time.
137	Start waiting time	0 to 100.0 s	Set a slightly longer (about 0.3 to 0.5 s) value than the time from when the ON signal enters inverter operation MC3 to when it actually switches on.
138	Commercial power supply-inverter switch-over selection at alarm occurrence	0	Stops inverter operation and coasts the motor. The inverter stops when an inverter fault occurs (both MC2 and MC3 switch off).
		1	Stops inverter operation and automatically switches inverter operation to commercial power supply operation. When an inverter fault occurs, inverter operation is automatically switched to commercial power supply operation (MC2: ON, MC3: OFF).
139	Automatic inverter-commercial power supply switch-over frequency	0 to 60.0Hz	The motor is started and run by the inverter up to the set frequency, and when the output frequency reaches or exceeds the set frequency, inverter operation is automatically switched to commercial power supply operation. Start and stop are controlled by the inverter operation command (STF or STR).
		9999	Automatic switch-over is not done.

Note: 1. Pr. 139 functions when Pr. 135 setting is other than "0".

- When the motor started by the inverter reaches the automatic switch-over frequency, inverter operation is switched to commercial power supply operation. If the inverter's operation command value is then lowered to or below the switch-over frequency, commercial power supply operation is not automatically switched to inverter operation.

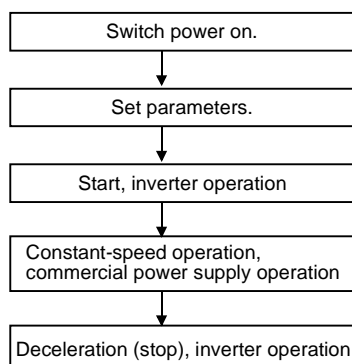
Switch off the inverter operation command signal (STF or STR) to switch commercial power supply operation to inverter operation and decelerate the motor to a stop.

<Operation sequence>



(3) Operation procedure

1) Operation procedure for running Operation pattern



- Pr. 135 = "1" (inverter's open collector output terminals)
- Pr. 136 = "2.0 s"
- Pr. 137 = "1.0 s" (Set the value equal to or longer than the time from when MC3 switches on actually until the inverter and motor are connected. If it is shorter, restart may not function properly.)
- Pr. 57 = "0.5 s"
- Pr. 58 = "0.5 s" (Always set this parameter when commercial power supply operation is switched to inverter operation.)

2) Signal on-off after parameter setting

	MRS	CS	STF	MC1	MC2	MC3	Remarks
Power on	OFF (OFF)	OFF (OFF)	OFF (OFF)	OFF→ON (OFF→ON)	OFF (OFF)	OFF→ON (OFF→ON)	External operation mode (PU operation mode)
At start (inverter)	OFF→ON	OFF→ON	OFF→ON	ON	OFF	ON	
Constant speed(commercial power supply)	ON	ON→OFF	ON	ON	OFF→ON	ON→OFF	After MC3 switches off, MC2 switches on. (Motor coasts during this period.)Waiting time 2s.
Switched to inverter operation for deceleration (inverter)	ON	OFF→ON	ON	ON	ON→OFF	OFF→ON	After MC2 switches off, MC3 switches on. (Motor coasts during this period.)Waiting time 4s.
Stop	ON	ON	ON→OFF	ON	ON	ON	

- Note: 1. This function is only activated when R1 and S1 are connected to a different power supply (power supply which is not connected to MC1).
2. This function is only valid in the external operation or PU (speed command) and external (run command) operation mode when the Pr. 135 value is other than "0". When the Pr. 135 value is other than "0" in the operation mode other than the above, MC1 and MC3 switch on.
3. MC3 is on when the MRS and CS signals are on and STR is off, but when the motor run by the commercial power supply was coasted to a stop at the last time, it restarts after the time set in Pr. 137 has elapsed.
4. Inverter operation is enabled when the MRS, STF and CS signals switch on. In other cases (MRS is on), commercial power supply operation is performed.
5. When the CS signal is switched off, the motor is switched over to commercial power supply operation. Note that when the STF (STR) signal is switched off, the motor is decelerated to a stop by the inverter.
6. When both MC2 and MC3 are off and MC2 or MC3 is then switched on, the motor restarts after the waiting time set in Pr. 136 has elapsed.
7. If the Pr. 135 setting is other than 0, the Pr. 136 and Pr. 137 settings are ignored in the PU operation mode.
Also, the inverter's input terminals (STF, CS, MRS, OH) return to their ordinary functions.
8. When the commercial power supply-inverter switch-over sequence is selected, the PU operation interlock function (Pr. 79 = 7) is not activated if it has been set.
9. When the terminal functions are changed using Pr. 180 to Pr. 186 and/or Pr. 190 to Pr. 195, the other functions may be affected. Confirm the functions of the corresponding terminals before making settings.

Pr. 140 to Pr. 143 → Refer to Pr. 29.

Pr. 144 → Refer to Pr. 37.

Pr. 148, Pr. 149 → Refer to Pr. 22.

4.2.44 Output current detection function (Pr. 150, Pr. 151)

Pr. 150 "output current detection level"

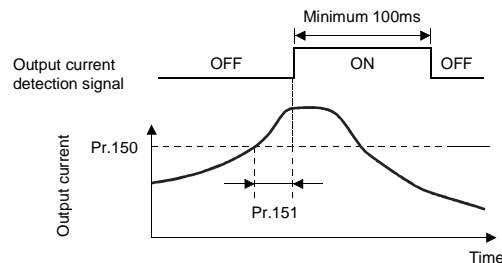
Pr. 151 "output current detection period"

Related parameters
Pr. 190 to Pr. 195
(output terminal function selection)

- If the output current remains higher than the Pr. 150 setting during inverter operation for longer than the time set in Pr. 151, the output current detection signal (Y12) is output from the inverter's open collector output terminal.

(Use any of Pr. 190 to Pr. 195 to assign the terminal used for Y12 signal output.)

Parameter Number	Factory Setting	Setting Range
150	150%	0 to 200.0%
151	0s	0 to 10 s



<Setting>

Refer to the following list and set the parameters:

Parameter Number	Description
150	Set the output current detection level. 100% is the rated inverter current.
151	Set the output current detection period. Set a period of time from when the output current rises to or above the Pr. 150 setting to when the output current detection signal (Y12) is output.

- Note:
1. Once switched on, the output current detection signal is held on for at least 100ms.
 2. This function is also valid during execution of the online or offline auto tuning.
 3. When the terminal functions are changed using Pr. 190 to Pr. 195, the other functions may be affected. Confirm the functions of the corresponding terminals before making settings.

4.2.45 Zero current detection (Pr. 152, Pr. 153)

Pr. 152 "zero current detection level"

Pr. 153 "zero current detection period"

Related parameters
Pr. 190 to Pr. 195
(output terminal function selection)

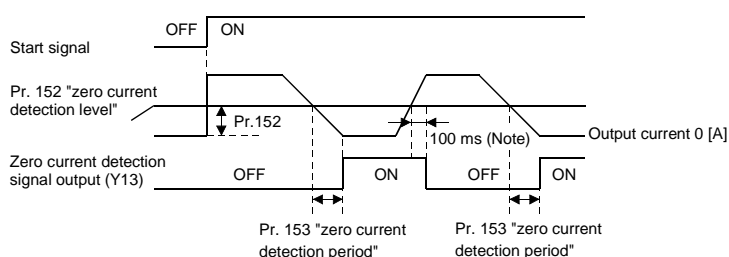
When the inverter's output current falls to "0", torque will not be generated. This may cause a drop due to gravity when the inverter is used in vertical lift application.

To prevent this, the output current "zero" signal can be output from the inverter to close the mechanical brake when the output current has fallen to "zero".

- If the output current remains lower than the Pr. 152 setting during inverter operation for longer than the time set in Pr. 153, the zero current detection (Y13) signal is output from the inverter's open collector output terminal.

(Use any of Pr. 190 to Pr. 195 to assign the terminal used for Y13 signal output.)

Parameter Number	Factory Setting	Setting Range
152	5.0%	0 to 200.0%
153	0.5 s	0 to 1 s





<Setting>

Refer to the following list and set the parameters:

Parameter Number	Description
152	Set the zero current detection level. Set this parameter to define the percentage of the rated current at which the zero current will be detected.
153	Set the zero current detection period. Set this parameter to define the period from when the output current drops below the Pr. 152 value until the zero current detection signal (Y13) is output.

- Note: 1. If the current rises, above the preset detection level and the condition is not satisfied, the zero current detection signal is held on for about 100ms.
2. This function is also valid during execution of the online auto tuning.
3. Changing the terminal function using any of Pr. 190 to Pr. 195 may affect the other functions. Confirm the functions of the corresponding terminals before making setting.

CAUTION

-  The zero current detection level setting should not be too high, and the zero current detection time setting not too long. Otherwise, the detection signal may not be output when torque is not generated at a low output current.
-  To prevent the machine and equipment from resulting in hazardous conditions by use of the zero current detection signal, install a safety backup such as an emergency brake.

Pr. 154 → Refer to Pr. 22.

4.2.46 RT signal activated condition selection (Pr. 155)

Pr. 155 "RT signal activated condition"

— Related parameters —

Pr. 14 "load pattern selection"
Pr. 44 to Pr. 49
(second function selection)
Pr. 81 "number of motor poles"
Pr. 180 to Pr. 186
(input terminal function selection)

- Set the condition of activating the RT terminal to select the second control functions by switching on-off the RT signal.

Parameter Number	Factory Setting	Setting Range
155	0	0.10

<Setting>

Refer to the following list and set the parameters:

Pr. 155 Setting	Description
0	Made valid immediately by switching the RT signal on-off.
10	Made valid only when the RT signal is on at constant speed.(Invalid during acceleration/deceleration)

4.2.47 Stall prevention function and current limit function (Pr. 156)

Pr. 156 "stall prevention operation selection"

— Related parameters —

Pr. 22 "stall prevention operation level"
Pr. 23 "stall prevention operation level compensation factor at double speed"
Pr. 48 "second stall prevention operation current"
Pr. 49 "second stall prevention operation frequency"
Pr. 114 "third stall prevention operation current"
Pr. 115 "third stall prevention operation frequency"
Pr. 154 "voltage reduction selection during stall prevention operation"
Pr. 157 "OL signal output waiting time"

You can make setting to prevent the inverter from an overcurrent trip (prevent the high-response current restriction from being activated) and/or set the OL signal output delay if stall prevention is activated by an overcurrent or an excessive current flows due to sudden fluctuation of load, ON-OFF of the running inverter output side, etc. An OL signal output delay can be set in Pr. 157.

- Stall prevention
Automatically change the output speed of the inverter to reduce the amount of current when the current flow exceeds the current restriction level.
- High response current restriction
If the current exceeds the limit value, the output of the inverter is shut off to prevent an overcurrent.

Parameter Number	Factory Setting	Setting Range
156	0	0 to 31, 100, 101


<Setting>

Refer to the following list and set the parameters:

Pr. 156 Setting	High-Response Current Limit ○...Activated. ●...Not activated	Stall Prevention Operation Selection ○...Activated ●...Not activated			OL Signal Output ○...Operation continued ●...Operation not continued (Note 1)
		Acceleration	Constant speed	Deceleration	
0	○	○	○	○	○
1	●	○	○	○	○
2	○	●	○	○	○
3	●	●	○	○	○
4	○	○	●	○	○
5	●	○	●	○	○
6	○	●	●	○	○
7	●	●	●	○	○
8	○	○	○	●	○
9	●	○	○	●	○
10	○	●	○	●	○
11	●	●	○	●	○
12	○	○	●	●	○
13	●	○	●	●	○
14	○	●	●	●	○
15	●	●	●	●	○
16	○	○	○	○	●
17	●	○	○	○	●
18	○	●	○	○	●
19	●	●	○	○	●
20	○	○	●	○	●
21	●	○	●	○	●
22	○	●	●	○	●
23	●	●	●	○	●
24	○	○	○	●	●
25	●	○	○	●	●
26	○	●	○	●	●
27	●	●	○	●	●
28	○	○	●	●	●
29	●	○	●	●	●
30	○	●	●	●	●
31	●	●	●	●	●
100	Driving	○	○	○	○
	Regenerative	●	●	●	○
101 (Note 4)	Driving	●	○	○	○
	Regenerative	●	●	●	○

- Note: 1. When "Operation not continued for OL signal output" is selected, the "E.OLT" alarm code (stopped by stall prevention) is displayed and operation stopped.
(Alarm stop display "E.OLT")
2. If the load is heavy, the lift is predetermined, or the acceleration/deceleration time is short, the stall prevention may be activated and the motor not stopped in the preset acceleration/deceleration time. Therefore, set optimum values to the Pr. 156 stall prevention operation level.
(When the output voltage reduces during stall prevention operation, an overcurrent trip will be less liable to occur but the torque decreases. Set "0" in Pr. 154 when the torque may be reduced.)
3. In vertical lift applications, make setting so the high-response current limit is not activated. Torque may not be produced, causing a gravity drop.
4. At the setting of "101", the high-response current limit can be disabled in the driving mode as compared to the setting of "100".


CAUTION

-  **Always perform test operation.**
Stall prevention operation performed during acceleration may increase the acceleration time. Stall prevention operation performed during constant speed may cause sudden speed changes.
Stall prevention operation performed during deceleration may increase the deceleration time, increasing the deceleration distance.

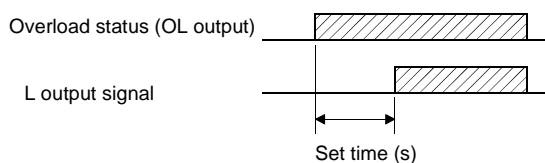
4.2.48 OL signal output timer (Pr. 157)

Pr. 157 "OL signal waiting time"

Related parameters
Pr. 190 to Pr. 195
"output terminal function selection"

Use this parameter to set whether the overload alarm signal (OL signal) is output immediately or a preset period of time after occurrence of an overload status.

Parameter Number	Factory Setting	Setting Range	Remarks
157	0	0 to 25 s, 9999	9999: No signal output



<Setting>

Refer to the following table and set the parameter:

Pr. 157 Setting	Description
0	Output immediately.
0.1 to 25	Output after the set time (s) has elapsed.
9999	Overload alarm signal is not output.

Pr. 158 → Refer to Pr. 54.

4.2.49 User group selection (Pr. 160, Pr. 173 to Pr. 176)

Pr. 160 "user group read selection"

Pr. 173 "user group 1 registration"

Pr. 174 "user group 1 deletion"

Pr. 175 "user group 2 registration"

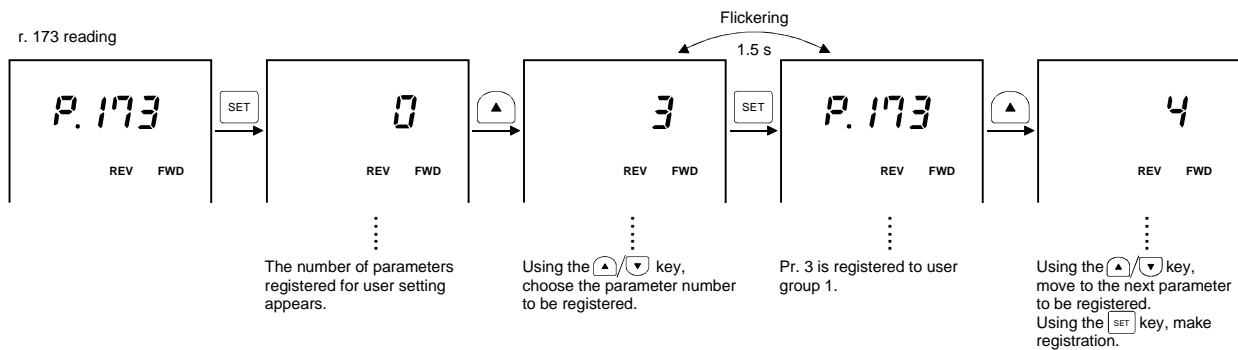
Pr. 176 "user group 2 deletion"

- Pr. 160 "user group read selection" is used to limit the parameters which may be read.
- From among all parameters, a total of 32 parameters can be registered to two different user groups. The registered parameters may only be accessed for reading and writing. Parameters other than those registered to the user groups cannot be read.

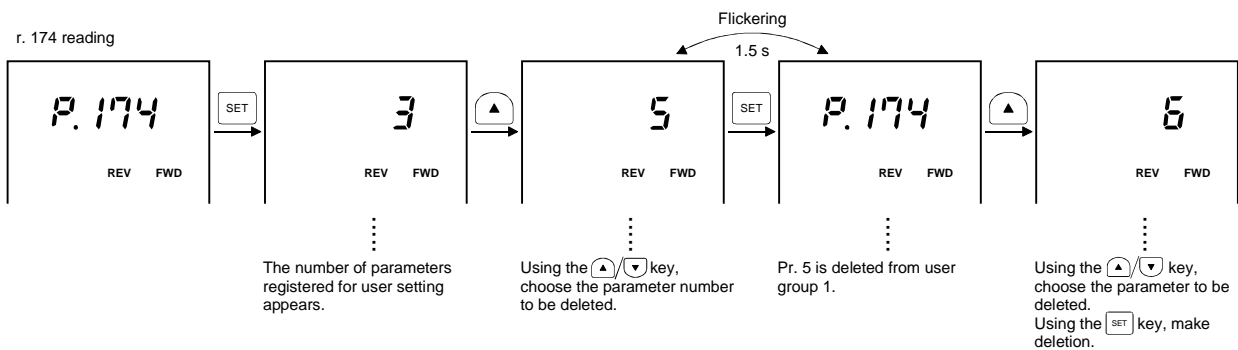
Parameter Number	Factory Setting	Setting Range	Remarks
160	0	0, 1, 10, 11	
173	0	0 to 999	
174	0	0 to 999, 9999	9999: Batch deletion
175	0	0 to 999	
176	0	0 to 999, 9999	9999: Batch deletion

<Examples of use>

(1) Parameter registration to user group (when registering Pr. 3 to user group 1)



(2) Parameter deletion from user group (when deleting Pr. 5 from user group 1)



(3) By setting the required value in Pr. 160, make the user groups valid or invalid.

Pr. 160 Setting	Description
0	All parameters can be accessed for reading and writing (factory setting)
1	Parameters registered to user group 1 may only be accessed for reading and writing.
10	Parameters registered to user group 2 may only be accessed for reading and writing.
11	Parameters registered to user groups 1 and 2 may only be accessed for reading and writing.

- Note:
1. Pr. 77, Pr. 160 and Pr. 991 values can always be read independently of the user group setting.
 2. When Pr. 173 or Pr. 174 is read, the number of parameters registered to user group 1 appears. When Pr. 175 or Pr. 176 is read, the number of parameters registered to user group 2 appears.
 3. "0" set in the second digit of the 2-digit Pr. 160 setting is not displayed. However, it is displayed when "0" is set in the first digit only.
 4. When "9999" is set in Pr. 174 or Pr. 176, the parameters registered to the corresponding user group is batch-deleted.

Pr. 162 to Pr. 165 → Refer to Pr. 57.

4.2.50 Watt-hour meter clear/actual operation hour meter clear (Pr. 170, Pr. 171)

Pr. 170 "watt-hour meter clear"

Pr. 171 "actual operation hour meter clear"

Related parameters
Pr. 52 "DU/PU main display data selection"

You can clear the watt-hour value and actual operation hour monitoring function.

Parameter Number	Factory Setting	Setting Range
170	0	0
171	0	0

<Setting>

Write "0" in the parameters to clear the watt-hour value and actual operation hour.

REMARKS

The watt-hour value is monitored at the Pr. 52 setting of "25", and the actual operation hour at the Pr. 52 setting of "23".

Pr. 173 to Pr. 176 → Refer to Pr. 160.

4.2.51 Input terminal function selection (Pr. 180 to Pr. 186)

Pr. 180 "RL terminal function selection"

Pr. 181 "RM terminal function selection"

Pr. 182 "RH terminal function selection"

Pr. 183 "RT terminal function selection"

Pr. 184 "AU terminal function selection"

Pr. 185 "JOG terminal function selection"

Pr. 186 "CS terminal function selection"

Use these parameters to select/change the input terminal functions.

Parameter Number	Terminal Symbol	Factory Setting	Factory-Set Terminal Function	Setting Range
180	RL	0	Low-speed operation command (RL)	0 to 99, 9999
181	RM	1	Middle-speed operation command (RM)	0 to 99, 9999
182	RH	2	High-speed operation command (RH)	0 to 99, 9999
183	RT	3	Second function selection (RT)	0 to 99, 9999
184	AU	4	Current input selection (AU)	0 to 99, 9999
185	JOG	5	Jog operation selection (JOG)	0 to 99, 9999
186	CS	6	Automatic restart after instantaneous power failure selection (CS)	0 to 99, 9999

<Setting>

Refer to the following list and set the parameters:

Setting	Signal Name	Functions		Relevant Parameters
0	RL	Pr. 59 = 0	Low-speed operation command	Pr. 4 to Pr. 6 Pr. 24 to Pr. 27 Pr. 232 to Pr. 239
		Pr. 59 = 1, 2 *	Remote setting (setting clear)	Pr. 59
		Pr. 79 = 5 *	Programmed operation group selection	Pr. 79, Pr. 200, Pr. 201 to Pr. 210, Pr. 211 to Pr. 220, Pr. 221 to Pr. 230, Pr. 231
		Pr. 270 = 1, 3	Stop-on-contact selection 0	Pr. 270, Pr. 275, Pr. 276
1	RM	Pr. 59 = 0	Middle-speed operation command	Pr. 4 to Pr. 6, Pr. 24 to Pr. 27, Pr. 232 to Pr. 239
		Pr. 59 = 1, 2 *	Remote setting (deceleration)	Pr. 59
		Pr. 79 = 5	Programmed operation group selection	Pr. 79, Pr. 200, Pr. 201 to Pr. 210, Pr. 211 to Pr. 220, Pr. 221 to Pr. 230, Pr. 231
2	RH	Pr. 59 = 0	High-speed operation command	Pr. 4 to Pr. 6, Pr. 24 to Pr. 27, Pr. 232 to Pr. 239
		Pr. 59 = 1, 2	Remote setting (acceleration)	Pr. 59
		Pr. 79 = 5	Programmed operation group selection	Pr. 79, Pr. 200, Pr. 201 to Pr. 210, Pr. 211 to Pr. 220, Pr. 221 to Pr. 230, Pr. 231
3	RT	Second function selection (Note 7)		Pr. 44 to Pr. 50
		Pr.270 = 1, 3 *	Stop-on-contact selection 1	Pr. 270, Pr. 275, Pr. 276
4	AU	Current input selection		Refer to page 13
5	JOG	Jog operation selection		Pr. 15, Pr. 16
6	CS	Automatic restart after instantaneous power failure selection		Pr. 57, Pr. 58, Pr. 162 to Pr. 165, Pr. 611
7	OH	External thermal relay input** The externally provided overheat protection thermal relay, motor-embedded temperature, etc. is operated to stop the inverter.		Refer to page 196
8	REX	15-speed selection (combination with RL, RM, RH)		Pr. 4 to Pr. 6, Pr. 24 to Pr. 27, Pr. 232 to Pr. 239
9	X9	Third function		Pr. 110 to Pr. 116
10	X10	FR-HC, FR-CV connection (inverter operation enable)		Pr. 30, Pr. 70
11	X11	FR-HC connection (instantaneous power failure detection) (Only when FR-A5NR option is fitted)		Pr. 30, Pr. 70
12	X12	PU operation external interlock		Pr. 79
13	X13	External DC injection brake start		Pr. 10 to Pr. 12
14	X14	PID control valid terminal		Pr. 128 to Pr. 134
15	BRI	Brake opening completion signal		Pr. 278 to Pr. 285
16	X16	PU-external operation switch-over		Pr. 79
17	X17	Load pattern selection forward/reverse rotation boost		Pr. 14
18	X18	Advanced magnetic flux vector-V/F switch-over (V/F control is executed when X18 is on)		Pr. 80, Pr. 81, Pr. 89
19	X19	Load torque high-speed frequency		Pr. 271 to Pr. 274
20	X20	S-pattern acceleration/deceleration C switch-over terminal (only when FR-A5AP option is fitted)		Pr. 380 to Pr. 383
22	X22	Orientation command (Note 8) (only when FR-A5AP option is fitted)		Pr. 350 to Pr. 369
23	LX	Pre-excitation (Note 9) (only when FR-A5AP option is fitted)		Pr. 80, Pr.81, Pr. 359, Pr. 369, Pr. 370
9999		No function		

*: When Pr. 59 = "1 or 2", Pr. 79 = "5", and Pr. 270 = "1 or 3", the functions of the RL, RM, RH and RT signals change as listed above.

** : Operated when the relay contact "opens".

- Note:
1. One function can be assigned to two or more terminals. In this case, the terminal inputs are OR'ed.
 2. The speed command priorities are higher in order of jog, multi-speed setting (RH, RM, RL) and AU.
 3. When the X10 signal (FR-HC, FR-CV connection, inverter operation enable signal) is not selected, the MRS signal shares this function.
 4. Use common terminals to assign programmed operation group selection, multi-speeds (7 speeds) and remote setting. They cannot be set individually.
(Common terminals are used since these functions are designed for speed setting and need not be set at the same time.)
 5. Stop-on-contact control selection, Pr. 270 = "1 or 3", shares RT with multi-speed setting (low speed), and its allocation cannot be changed.
 6. When "7" is set in Pr. 79 and the PU operation external interlock (X12) signal is not assigned, the MRS signal acts as this function.
 7. When advanced magnetic flux vector-V/F switch-over (x18) signal and load pattern selection forward/reverse rotation boost (X17) signal are not assigned, the RT signal shares this functions. (in case Pr. 81 "number of motor poles" = "12, 14 or 16"). In this case, V/F control becomes secondary function control.
 8. When a stop position is entered externally for orientation control, the FR-A5AX (12-bit digital input) is required.
 9. Made valid when vector control servo lock is set valid.

4.2.52 Output terminal function selection (Pr. 190 to Pr. 195)

Pr. 190 "RUN terminal function selection"

Pr. 191 "SU terminal function selection"

Pr. 192 "IPF terminal function selection"

Pr. 193 "OL terminal function selection"

Pr. 194 "FU terminal function selection"

Pr. 195 "A, B, C terminal function selection"

You can change the functions of the open collector and contact output terminals.

Parameter Number	Terminal Symbol	Factory Setting	Factory-Set Terminal Function	Setting Range
190	RUN	0	Inverter running	0 to 199, 9999
191	SU	1	Up to frequency	0 to 199, 9999
192	IPF	2	Instantaneous power failure/undervoltage	0 to 199, 9999
193	OL	3	Overload alarm	0 to 199, 9999
194	FU	4	Output frequency detection	0 to 199, 9999
195	A, B, C	99	Alarm output	0 to 199, 9999

<Setting>



Refer to the following table and set the parameters:

Setting		Signal Name	Function	Operation	Related parameter
Positive logic	Negative logic				
0	100	RUN	Inverter running	Output during operation when the inverter output frequency rises to or above the starting frequency.	———
1	101	SU	Up to frequency	Refer to Pr. 41 "up-to-frequency sensitivity". (Note 2)	Pr. 41
2	102	IPF	Instantaneous power failure or undervoltage	Output when an instantaneous power failure or undervoltage occurs.	———
3	103	OL	Overload alarm	Output while stall prevention function is activated.	Pr. 22, Pr. 23, Pr. 66, Pr. 148, Pr. 149, Pr. 154
4	104	FU	Output frequency detection	Refer to Pr. 42, Pr. 43 (output frequency detection).	Pr. 42, Pr. 43
5	105	FU2	Second output frequency detection	Refer to Pr. 50 (second output frequency detection).	Pr. 50
6	106	FU3	Third output frequency detection	Refer to Pr. 116 (third output frequency detection).	Pr. 116
7	107	RBP	Regenerative brake pre-alarm	Output when 85% of the regenerative brake duty set in Pr. 70 is reached.	Pr. 70
8	108	THP	Electronic overcurrent protection pre-alarm	Output when the cumulative electronic overcurrent protection value reaches 85% of the preset level.	Pr. 9
9	109	PRG	Programmed mode	Output in the programmed mode. (Note 3)	Pr. 79, Pr. 200 to Pr. 231
10	110	PU	PU operation mode	Output when the PU operation mode is selected.	———
11	111	RY	Inverter operation ready	Output when the inverter can be started by switching the start signal on or while it is running.	———
12	112	Y12	Output current detection	Refer to Pr. 150 and Pr. 151 (output current detection).	Pr. 150, Pr. 151
13	113	Y13	Zero current detection	Refer to Pr. 152 and Pr. 153 (zero current detection).	Pr. 152, Pr. 153
14	114	FDN	PID lower limit	Refer to Pr. 128 to Pr. 134 (PID control).	Pr. 128 to Pr. 134
15	115	FUP	PID upper limit		
16	116	RL	PID forward-reverse rotation output		

Setting		Signal Name	Function	Operation	Related parameter
Positive logic	Negative logic				
17	—	MC1	Commercial power supply-inverter switch-over MC1	Refer to Pr. 135 to Pr.139 (commercial power supply-inverter switch-over).	Pr. 135 to Pr. 139
18	—	MC2	Commercial power supply-inverter switch-over MC2		
19	—	MC3	Commercial power supply-inverter switch-over MC3		
20	120	BOF	Brake opening request	Refer to Pr. 278 to Pr. 285 (brake sequence functions).	Pr. 278 to Pr. 285
25	125	FAN	Fan fault output	Output when a fan fault occurs.	Pr. 244
26	126	FIN	Fin overheat pre-alarm	Output when the heat sink temperature reaches about 85% of the fin overheat protection temperature.	—
27	127	ORA	In-position	When orientation is valid (only when FR-A5AP option is loaded)	—
28	128	ORM	Orientation error		
29	129	Y29	Overspeed detection	For encoder feedback control, vector control (only when the FR-A5AP option is loaded)	
30	130	Y30	Forward running output		
31	131	Y31	Reverse running output		
32	132	Y32	Regeneration status output	For vector control (only when the FR-A5AP option is loaded)	
33	133	RY2	Operation ready 2		
94	194	Y94	Alarm output 2	Output when the inverter's protective function is activated to stop the output (major fault). Continue outputting the signal during inverter reset and stop outputting after reset is cancelled. (Note 9, 10, 11)	—
95	195	Y95	Capacitor life alarm output	Refer to Pr. 503 and Pr. 504 (capacitor life alarm)	Pr. 503, Pr. 504
98	198	LF	Minor fault output	Output when a minor fault (fan fault or communication error alarm) occurs.	Pr. 121, Pr. 244
99	199	ABC	Alarm output	Output when the inverter's protective function is activated to stop the output (major fault). Stops output when reset is on.	—
9999	—	—	No function	—	—

0 to 99:Positive logic

100 to 199:Negative logic

- Note:
- Under encoder feedback control (when the FR-A5AP option is fitted), the operations of the up-to-frequency SU and frequency detection FU, FU2, FU3 are as follows:SU, FU: The actual speed (frequency) provided by the encoder feedback signal is output at or above the frequency specified for detection. FU2, FU3: The inverter output frequency is output at or above the frequency specified for detection.
 - When the frequency setting is varied with the analog signal or the / key of the operation panel, note that the output of the SU (up-to-frequency) signal may alternate between ON and OFF due to that varying speed and the timing of the varying speed dependent on the acceleration/deceleration time setting. (Such alternation will not take place when the acceleration/deceleration time setting is "0s".)
 - This signal is output when "5" is set in Pr. 79 "operation mode selection" and the external operation mode is selected (the inverter goes into the programmed mode).
 - The same function may be set to more than one terminal.
 - When the function is activated, the terminal conducts with the settings of 0 to 99 and does not conduct with the settings of 100 to 199.
 - Pr. 190 to Pr. 195 do not function if the values set are other than the above.
 - When Pr. 76 = 1 or 3, the output signals of the SU, IPF, OL and FU output terminals conform to Pr. 76. When an inverter alarm occurs, the signal outputs are switched over to alarm code outputs.
 - The output assignment of the RUN terminal and alarm output relay conforms to the above setting independently of Pr. 76.
 - When making a power-on reset, the alarm output 2 signal "Y94" is turned off as soon as power is turned off.
 - The alarm output 2 signal "Y94" can not be assigned to the extended assignment terminal of the option unit (FR-A5AY, FR-A5AR, FR-A5NR).
 - When parameters are copied to the inverter without this signal, the changed settings of output terminal function selection parameters (Pr. 190 to Pr. 195) become "9999 (no function)"

4.2.53 User initial value setting (Pr. 199)

Pr. 199 "user's initial value setting"

Related parameters
Pr. 77 "parameter write disable selection"

Among the parameters, you can set user-only parameter initial values. These values may be set to 16 parameters.

By performing user clear operation from the operation panel or parameter unit, you can initialize the parameters to the user-set initial values. Note that the parameters of which initial values have not been set are initialized to the factory settings by user clear operation.

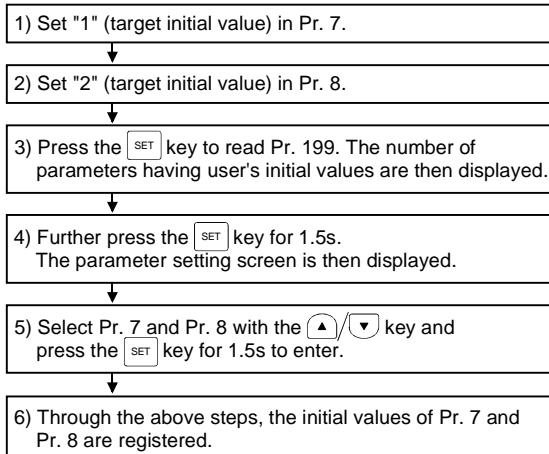
● You can read the user's initial value list in the help mode of the parameter unit (FR-PU04).

Parameter Number	Factory Setting	Setting Range
199	0	0 to 999, 9999

The read Pr. 199 value is displayed as the number of parameters registered.

<Setting example>

(1) To set "1" in Pr. 7 and "2" in Pr. 8 as user's initial values. (Operation from the FR-DU04)



The settings of the parameters whose numbers are set in Pr. 199 (i.e. Pr. 7 = 1, Pr. 8 = 2 in the above example) are user's initial values.

(2) Deletion of user's initial values

By writing "9999" to Pr. 199 (and pressing the SET key for 1.5s), the user's initial values registered are batch-deleted.

Note: 1. When user's initial values for Pr. 902 to Pr. 905 are set, one parameter uses the area of two parameters for registration.
2. As this setting is concerned with user-cleared initial values, the parameter numbers which cannot be cleared cannot be set.
3. The operation panel (FR-DU04) cannot be used to refer to user's initial values.
4. Values cannot be registered to Pr. 201 to Pr. 231.

4.2.54 Programmed operation function (Pr. 200 to Pr. 231)

Pr. 200 "programmed operation minute/second selection"

Related parameters
 Pr. 76 "alarm code output selection"
 Pr. 79 "operation mode selection"

Pr. 201 to Pr. 210 "program set 1 1 to 10"

Pr. 211 to Pr. 220 "program set 2 11 to 20"

Pr. 221 to Pr. 230 "program set 3 21 to 30"

Pr. 231 "timer setting"

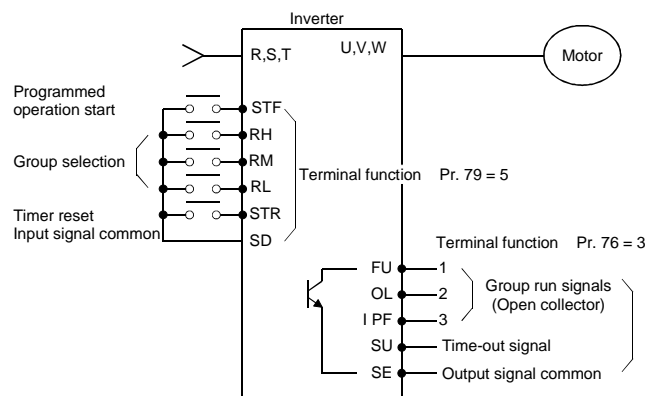
In programmed operation, automatic operation is performed under the control of the internal timer in accordance with the preset time of day, running frequency and rotation direction.

- This function is made valid when the following parameter is set to the following value:
 - Pr. 79 = "5" (programmed operation)
- You can select the time unit for programmed operation between "minute/second" and "hour/minute".
- The start time of day, rotation direction and running frequency are defined as one point and every 10 points are grouped into three:
 - Group 1: Pr. 201 to Pr. 210
 - Group 2: Pr. 211 to Pr. 220
 - Group 3: Pr. 221 to Pr. 230
- Use Pr. 231 to set the time of day when programmed operation is started.

Parameter Number	Factory Setting	Setting Range	Remarks
200	0	0 to 3	0, 2 [minute/second] 1, 3 [hour/minute]
201 to 210	0, 9999, 0	0 to 2 0 to 400, 9999 0 to 99.59	0 to 2: Rotation direction 0 to 400, 9999: Frequency 0 to 99.59: Time
211 to 220	0, 9999, 0	0 to 2 0 to 400, 9999 0 to 99.59	0 to 2: Rotation direction 0 to 400, 9999: Frequency 0 to 99.59: Time
221 to 230	0, 9999, 0	0 to 2: Rotation direction 0 to 400, 9999: Frequency 0 to 99.59: Time	0 to 2: Rotation direction 0 to 400, 9999: Frequency 0 to 99.59: Time
231	0	0 to 99.59	

<Wiring example>

- For sink logic



<Setting>

- (1) Set the time unit for programmed operation in Pr. 200. Select either of "minute/second" and "hour/minute".

Setting	Description
0	Minute/second unit (voltage monitor)
1	Hour/minute unit (voltage monitor)
2	Minute/second unit (reference time of day monitor)
3	Hour/minute unit (reference time of day monitor)

Note: 1. When "2" or "3" is set in Pr. 200, the reference time-of-day monitor screen is displayed instead of the voltage monitor screen.
 2. Note that when the Pr. 200 setting is changed, the units for Pr. 201 to Pr. 231 setting will change.

- (2) The inverter has an internal timer (RAM). When the reference time of day is set in Pr. 231, programmed operation is started at this time of day.

1) Setting range

The time unit depends on the Pr. 200 setting.

Pr. 200 Setting	Pr. 231 Setting Range	Pr. 200 Setting	Pr. 231 Setting Range
0	Maximum 99 minutes 59 s	2	Maximum 99 minutes 59 s
1	Maximum 99 hours 59 minutes	3	Maximum 99 hours 59 minutes

Note: The reference time-of-day timer returns to "0" when both the start signal and group select signal are entered. Set the reference time of day in Pr. 231 when both signals are on.

2) Resetting the reference time of day

The reference time of day is cleared by switching on the timer reset signal (STR) or by resetting the inverter. Note that the reference time-of-day value set in Pr. 231 is also reset to "0".

(3) Program setting

The rotation direction, running frequency and start time of day are defined as one point and every 10 points are grouped into three. The values can be set by using Pr. 201 to Pr. 231.

	Setting Point	Rotation Direction, Frequency, Start Time of Day	
Group 1	No.1	Pr. 201	
	2	Pr. 202	
	3	Pr. 203	
	4	Pr. 204	
	.	.	
	.	.	
	.	.	
	10	Pr. 210	
	Group 2	No.11	Pr. 211
		.	.
.		.	
.		.	
20		Pr. 220	
Group 3		No.21	Pr. 221
	.	.	
	.	.	
	.	.	
	30	Pr. 230	

Parameter Number	Name	Setting Range	Factory Setting	Remarks
201 to 230	Programmed operation minute/second selection	0 to 2	0	Rotation direction setting 0: Stop, 1: Forward rotation, 2: Reverse rotation
		0 to 400Hz	9999	Frequency setting
		0 to 99:59	0	Time of day setting

<Setting procedure>

(Example: Set point No. 1, forward rotation, 30Hz, 4 hours 30 minutes)

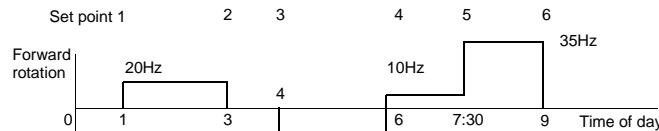
- 1) Read Pr. 201 value.
- 2) Enter "1" (forward rotation) in Pr. 201 and press the **SET** key (**WRITE** key when using the FR-PU04 parameter unit).
- 3) Enter 30 (30Hz) and press the **SET** key (**WRITE** key when using the FR-PU04 parameter unit). (Note 1)
- 4) Enter "4.30" and press the **SET** key (**WRITE** key when using the FR-PU04 parameter unit). (Note 2)
- 5) Press the **▲** key to move to the next parameter (Pr. 202), and press the **SET** key (**READ** key when using the FR-PU04 parameter unit) to display the current setting. Hereafter, press the **▲** key to advance the parameter one by one.

Note: 1. To make a stop, write "0" in the rotation direction and frequency. Set "9999" for no setting.
 2. An error will result if 4.80 is entered (59 minutes or 59 s is exceeded).

- Assuming that operation has been programmed as indicated in the following table, the operation pattern is as shown in the figure below:

No.	Operation	Parameter Setting
1	Forward rotation, 20Hz, 1 hours 0 minute	Pr. 201 = 1, 20, 1:00
2	Stop, 3 hours 0 minutes	Pr. 202 = 0, 0, 3:00
3	Reverse rotation, 30Hz, 4 hours 0 minutes	Pr. 203 = 2, 30, 4:00
4	Forward rotation, 10Hz, 6 hours 0 minutes	Pr. 204 = 1, 10, 6:00
5	Forward rotation, 35Hz, 7 hours 30 minutes	Pr. 205 = 1, 35, 7:30
6	Stop, 9 hours 0 minute	Pr. 206 = 0, 0, 9:00

<Operation pattern>



(4) Input signals

Name	Description	Signal Level	Remarks
Group signal RH (group 1) RM (group 2) RL (group 3)	Used to select the group for programmed operation.	Photocoupler isolated	May also be driven by transistor. When $i_c = 10\text{mA}$, $V_{ec} < 0.5\text{V}$ should be satisfied.
Timer reset signal (STR)			
Programmed operation start signal (STF)	Input to start programmed operation.		

(5) Output signals

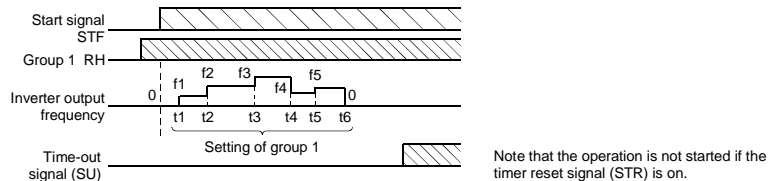
Name	Description	Signal Level	Remarks
Time-out signal (SU)	Output on completion of the operation of the selected group and cleared on timer reset.	Open collector output (isolated)	Permissible load 24VDC, 0.1A Only when Pr. 76 = 3
Group select signals (FU, OL, IPF)	Output during running of corresponding group's program and cleared on timer reset.		

(6) Operation

1) Ordinary operation

After completion of all preparations and settings, turn on the desired group select signal (any of RH (group 1), RM (group 2) and RL (group 3)), then turn on the start signal (STF). This causes the internal timer (reference time of day) to be reset automatically and the operation of that group to be performed in sequence in accordance with the settings. When the operation of the group ends, a signal is output from the time-out output terminal. (The open collector signal of SU is turned on.)

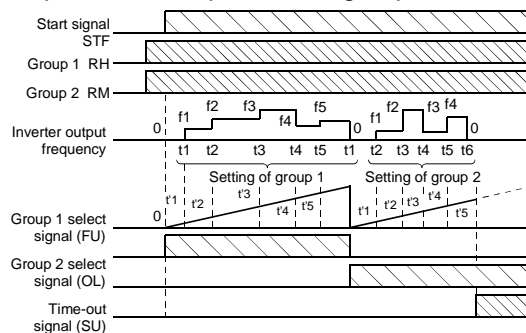
Note: Use the programmed operation function with "5" set in Pr. 79. Programmed operation will not be performed if any of the group select signals is switched on during PU operation or data link operation.



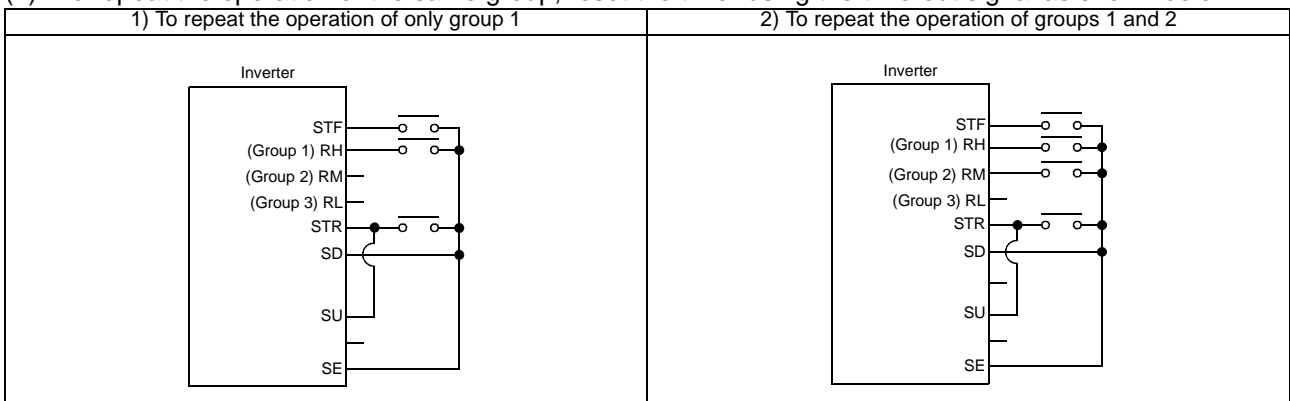
2) Multi-group select operation

When two or more groups are selected at the same time, the operations of the selected groups are executed in sequence of group 1, group 2 and group 3.

For example, if group 1 and group 2 have been selected, the operation of group 1 is first carried out, and after that operation ends, the reference time of day is reset, the operation of group 2 is started, and the time-out signal (SU) is output after the operation of group 2 ends.



(7) To repeat the operation of the same group, reset the timer using the time-out signal as shown below.



Note: 1. If the inverter power is switched off, then on (including an instantaneous power failure) during the execution of the programmed operation, the internal timer is reset and the inverter does not restart if the power is restored.
To resume the operation, turn the programmed operation start signal (STF) off, then on. (At this time, when it is required to set the reference time of day, switch the start signal on before setting.)

2. When the inverter is wired for programmed operation specifications, the following signals are invalid: AU, STOP, 2, 4, 1, JOG

3. During programmed operation, the inverter cannot be operated in any other mode. When the programmed operation start signal (STF) and timer reset signal (STR) are on, the operation mode cannot be switched between PU operation and external operation.).

Pr. 232 to Pr. 239 → Refer to Pr. 4.

Pr. 240 → Refer to Pr. 72.

4.2.55 Cooling fan operation selection (Pr. 244)

Pr. 244 "cooling fan operation selection"

You can control the operation of the cooling fan built in the inverter (200V class... 1.5K or more, 400V class... 2.2K or more).

Parameter Number	Factory Setting	Setting Range
244	0	0,1

<Setting>

Setting	Description
0	Operated at power on (independently of whether the inverter is running or at a stop).
1	Cooling fan on-off control valid (The cooling fan is always on while the inverter is running. During a stop, the inverter status is monitored and the fan switches on-off according to temperature.)

<Reference>

In either of the following cases, fan operation is regarded as faulty, [FN] is shown on the operation panel, and the fan fault (FAN) and light fault (LF) signals are output. Use Pr. 190 to Pr. 195 (output terminal function selection) to allocate the terminals used to output the FAN and LF signals.

1) Pr. 244 = "0"

When the fan comes to a stop with power on.

2) Pr. 244 = "1"

When the fan stops during the fan ON command while the inverter is running.

Note: When the terminal functions are changed using Pr. 190 to Pr. 195, the other functions may be affected. Confirm the functions of the corresponding terminals before making setting.

4.2.56 Stop selection (Pr. 250)

Pr. 250 "stop selection"

Related parameters

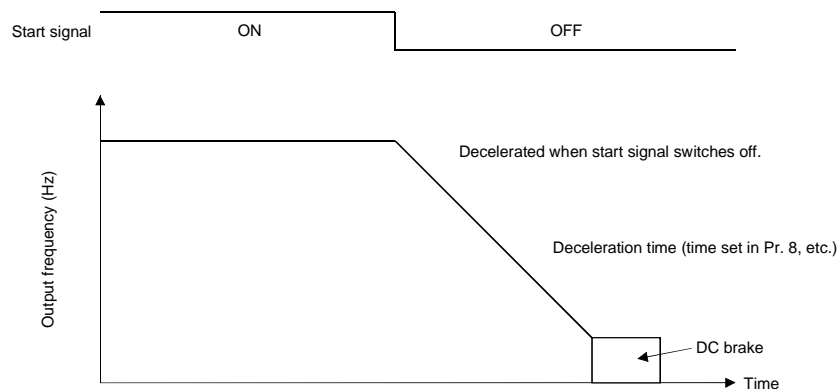
Pr. 7 "acceleration time"
 Pr. 8 "deceleration time"
 Pr. 44 "second acceleration/deceleration time"
 Pr. 45 "second deceleration time"
 Pr. 110 "third acceleration/deceleration time"
 Pr. 111 "third deceleration time"

Used to select the stopping method (deceleration to a stop or coasting) when the start signal (STF/STR) turns off.

Parameter Number	Factory Setting	Setting Range
250	9999	0 to 100 s, 9999

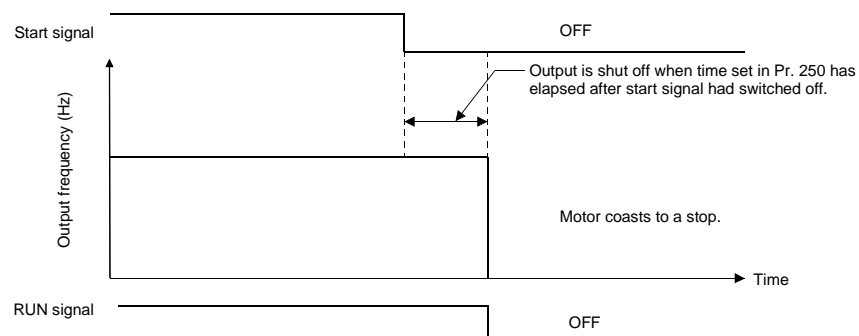
(1) Pr. 250 = "9999"

When the start signal switches off, the motor is decelerated to a stop.



(2) Pr. 250 = other than "9999" (Output is shut off after preset time.)

The output is shut off when the time set in Pr. 250 has elapsed after the start signal had turned off. The motor coasts to a stop.



Note: 1. The RUN signal turns off when the output stops.

2. When the start signal is turned on again during motor coasting, the motor starts at 0Hz.

4.2.57 Output phase failure protection selection (Pr. 251)

Pr. 251 "output phase failure protection selection"

You can make the output phase failure protection (E.LF) function which stops the inverter output invalid if one of the three phases (U, V, W) on the inverter's output side (load side) becomes open.

Parameter Number	Setting Range	Minimum Setting Increments	Factory Setting	Description
251	0,1	1	1	0: Without output phase failure protection 1: With output phase failure protection

4.2.58 Override bias/gain (Pr. 252, Pr. 253)

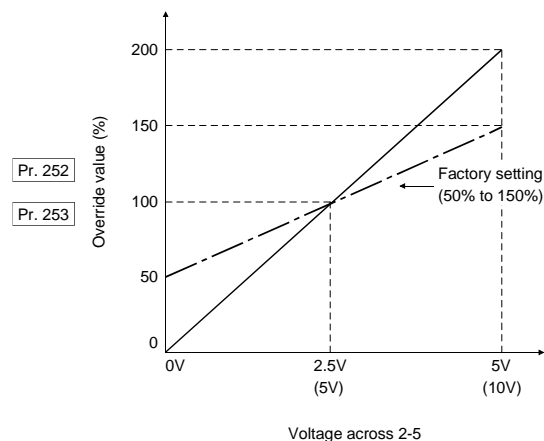
Pr. 252 "override bias"

Pr. 253 "override gain"

Related parameters
Pr. 73 "0 - 5V / 0 - 10V selection"

You can extend the 50% to 150% override range (to 0% to 200%), which is covered when Pr. 73 "0 to 5V, 0 to 10V selection" is used to select the override, and set the override value as desired.

Parameter Number	Setting Range	Minimum Setting Increments	Factory Setting
252	0 to 200%	0.1%	50%
253	0 to 200%	0.1%	150%



4.2.59 Power failure-time deceleration-to-stop function (Pr. 261 to Pr. 266)

Pr. 261 "power failure stop selection"

Pr. 262 "subtracted frequency at deceleration start"

Pr. 263 "subtraction starting frequency"

Pr. 264 "power-failure deceleration time 1"

Pr. 265 "power-failure deceleration time 2"

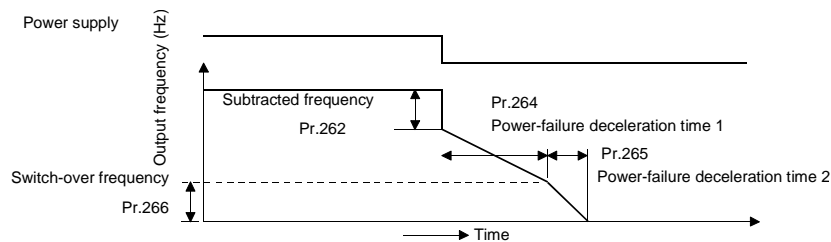
Pr. 266 "power-failure deceleration time switch-over frequency"

Related parameters
 Pr. 12 "DC injection brake voltage"
 Pr. 20 "acceleration/deceleration reference frequency"

When an instantaneous power failure or undervoltage occurs, the inverter can be decelerated to a stop.

- Remove the jumpers from across terminals R-R1 and terminals S-S1 and connect terminal R1 to terminal P and terminal S1 to terminal N.

Parameter Number	Factory Setting	Setting Range
261	0	0, 1
262	3Hz	0 to 20Hz
263	60Hz	0 to 120Hz, 9999
264	5 s	0 to 3600/0 to 360 s
265	9999	0 to 3600/0 to 360 s, 9999
266	60Hz	0 to 400Hz




<Setting>

Parameter Number	Setting	Description
261	0	Coasting to stop When undervoltage or power failure occurs, the inverter output is shut off.
	1	When undervoltage or power failure occurs, the inverter is decelerated to a stop.
262	0 to 20Hz	Normally, operation can be performed with the factory setting unchanged. The frequency can be adjusted within the range 0 to 20Hz according to the load specifications (moment of inertia, torque).
263	0 to 120Hz	If the output frequency at occurrence of undervoltage or power failure is equal to or greater than the frequency set in Pr. 263, deceleration starts at the value found by subtracting the frequency set in Pr. 262 from the output frequency at that time. If the output frequency at occurrence of undervoltage or power failure is less than the frequency set in Pr. 263, the inverter is decelerated to a stop, starting at the output frequency at that time.
	9999	The inverter is decelerated to a stop, starting at the value found by subtracting the frequency set in Pr. 262 from the output frequency at occurrence of undervoltage or power failure.
264	Pr. 21 = 0	0 to 3600 s
	Pr. 21 = 1	0 to 360 s
265	Pr. 21 = 0	0 to 3600 s
	Pr. 21 = 1	0 to 360 s
	9999	Same slope as in Pr. 264
266	0 to 400Hz	Set the frequency at which the deceleration slope is switched from the Pr. 264 setting to the Pr. 265 setting.

- Note: 1. This function is invalid when the automatic restart after instantaneous power failure function is set.
2. If (output frequency at occurrence of undervoltage or power failure) minus (frequency set in Pr. 263) is negative, the calculation result is regarded as 0Hz.
3. The power failure stop function is not activated during a stop or error.
4. If power is restored during deceleration, the inverter is kept decelerating to a stop.
To restart, switch off the start signal once, then switch it on again.
5. When the high power factor converter is used (Pr. 30 = 2), this function is made invalid

CAUTION

 **If power-failure deceleration operation is set, some loads may cause the inverter to trip and the motor to coast. If enough regenerative energy is not given by the motor, the motor will coast.**

4.2.60 Stop-on-contact, load torque high-speed frequency selection (Pr. 270)

Pr. 270 "stop-on-contact/load torque high-speed control selection"

Related parameters

- Pr. 271 "high-speed setting maximum current"
- Pr. 272 "mid-speed setting minimum current"
- Pr. 273 "current averaging range"
- Pr. 274 "current averaging filter constant"
- Pr. 275 "stop-on-contact excitation current low-speed multiplying factor"
- Pr. 276 "stop-on-contact PWM carrier frequency"

To ensure accurate positioning at the upper limit, etc. of a lift, stop-on-contact control causes a mechanical brake to be closed while the motor is developing a holding torque to keep the load in contact with a mechanical stopper, etc.

This function suppresses vibration which is liable to occur when the load is stopped upon contact in vertical motion applications, ensuring steady precise positioning.

Load torque high-speed frequency control automatically sets the maximum operating frequency according to the load.

Specifically, the weight of the load is determined after a start by the average current at a given time; when the load is light, the preset frequency can be increased for operation.

When the load is light, speed can be automatically increased in a sky parking lot, for example, to reduce incoming and outgoing times.

- Using Pr. 270, select stop-on-contact control and/or high-speed frequency control (control which automatically switches between high- and middle-speed operations according to load torque).
 - When stop-on-contact control is selected, select advanced magnetic flux vector control. For function details, refer to Pr. 275 and Pr. 276.
 - For function details of load torque high-speed frequency control, refer to Pr. 271 to Pr. 274.

Parameter Number	Factory Setting	Setting Range	Description
270	0	0	Without stop-on-contact control and load torque high-speed frequency control
		1	Stop-on-contact control
		2	Load torque high-speed frequency control
		3	Stop-on-contact control and load torque high-speed frequency control

4.2.61 High-speed frequency control (Pr. 271 to Pr. 274)

Pr. 271 "high-speed setting maximum current"

Pr. 272 "mid-speed setting minimum current"

Pr. 273 "current averaging range"

Pr. 274 "current averaging filter constant"

Related parameters

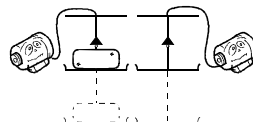
- Pr. 4 "multi-seed setting (high speed)"
- Pr. 5 "multi-seed setting (middle speed)"
- Pr. 6 "multi-seed setting (low speed)"
- Pr. 59 "remote setting function selection"
- Pr. 180 to Pr. 186
(input terminal function selection)
- Pr. 270 "stop-on-contact/load torque high-speed control selection"

●Used to set the current, averaging range, etc. required when "2" or "3" is set in Pr. 270 to select load torque high-speed frequency control.

Parameter Number	Factory Setting	Setting Range
271	50%	0 to 200%
272	100%	0 to 200%
273	9999	0 to 400Hz, 9999
274	16	1 to 4000

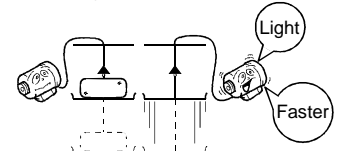
(Note) When load torque high speed frequency control is selected, automatic restart after instantaneous power failure function is invalid.

<Without high-speed frequency control>



Whether there is a load or not, the lift is moved vertically at the same speed.

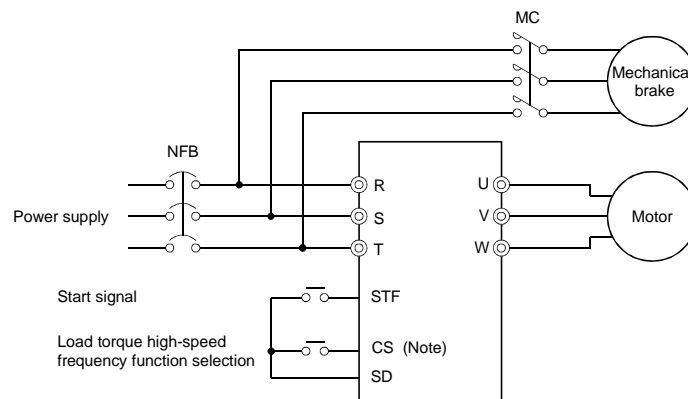
<With high-speed frequency control>



The lift with a light load or without a load is moved faster than the lift with a load.
(The output frequency is increased.)

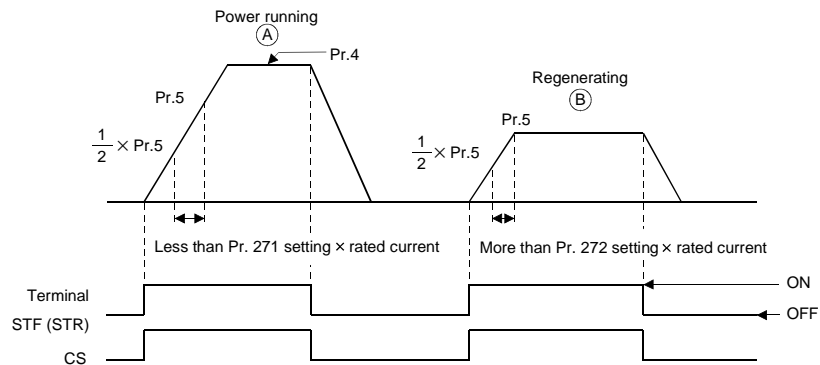
<Wiring example>

- Sink logic
- Pr. 186 = 19



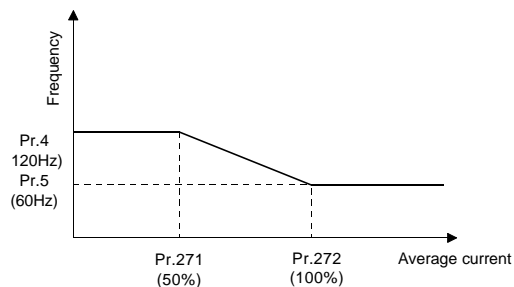
Note: The input signal terminal used depends on the Pr. 180 to Pr. 186 settings.

<Operation example>



- When operation is performed with X19 (load detection high-speed frequency function selection) signal on, the inverter automatically varies the maximum frequency between Pr. 4 "multi-speed setting (high speed)" and Pr. 5 "multi-speed setting (middle speed)" settings as shown below according to the average current flowing during acceleration from the frequency half of the Pr. 5 setting to the frequency set in Pr. 5.

- Example: 1. If the average current is not more than the following, the maximum running frequency is the value set in Pr. 4 as shown in operation example (A).
 Rated inverter current \times Pr. 271 setting (%)
2. If the average current is not less than the following, the maximum running frequency is the value set in Pr. 5 as shown in operation example (B).
 Rated inverter current \times Pr. 272 setting (%)



<In this example, the frequency varies according to the current; 60Hz for 100% current and 120Hz for 50% current.>


<Setting>

- 1) Set "2 or 3" in Pr. 270.
- 2) Assign X19 (load torque high-speed frequency control) to the input terminal using any of Pr. 180 to Pr. 186.
- 3) Refer to the following table and set the parameters:

Parameter Number	Name	Setting	Description
4	Multi-speed setting (high speed)	0 to 400Hz	Set the higher-speed frequency.
5	Multi-speed setting (middle speed)	0 to 400Hz	Set the lower-speed frequency.
271	High-speed setting maximum current	0 to 200%	Set the upper and lower limits of the current at high and middle speeds.
272	Mid-speed setting minimum current	0 to 200%	
273	Current averaging range	0 to 400Hz	(Average current during acceleration from (Pr. 273 \times 1/2) Hz to (Pr. 273) Hz can be achieved.
		9999	Average current during acceleration from (Pr. 5 \times 1/2) Hz to (Pr. 5) Hz is achieved.
274	Current averaging filter constant	1 to 4000	Set the time constant of the primary delay filter relative to the output current. (The time constant [ms] is $0.75 \times$ Pr. 274 and the factory setting is 12ms.) A larger setting provides higher stability but poorer response.

- Note:
1. This function is only valid in the external operation mode. This function is not activated when "1" or "2" (remote setting function) is selected for Pr. 59.
 2. If the current averaging zone range the constant power region, the output current may increase in the constant power region.
 3. When the average current within the current averaging range is small, the running frequency increases, which causes the longer deceleration time.
 4. The maximum output frequency is 120Hz. If its setting exceeds 120Hz, the output frequency is 120Hz.
 5. The high-response current limit function is invalid.
 6. Can be activated at every start.
 7. When the terminal functions are changed using Pr. 180 to Pr. 186, the other functions may be affected. Confirm the functions of the corresponding terminals before making settings.

 **CAUTION**

 **When the load is light, the motor may accelerate suddenly up to 120Hz, causing hazardous conditions. Provide sufficient interlocks on the machine side before starting operation.**

●Set frequency reference table for load torque high-speed frequency control

The following table lists the frequencies set when the load torque high-speed frequency control signal (X19) and multi-speed terminals (RH, RM, RL) are selected together:

Input Signals				Set Frequency
X19	RH	RM	RL	
○				Conforms to load torque high-speed frequency control.
	○			Speed 1 (high speed)..... Pr. 4
		○		Speed 2 (middle speed)..... Pr. 5
			○	Speed 3 (low speed)..... Pr. 6
○	○			Speed 1 (high speed)..... Pr. 4
○		○		Speed 2 (middle speed)..... Pr. 5
○			○	Speed 3 (low speed)..... Pr. 6
	○	○		Speed 6..... Pr. 26
	○		○	Speed 5..... Pr. 25
		○	○	Speed 4..... Pr. 24
○	○	○		Speed 6..... Pr. 26
○		○	○	Speed 4..... Pr. 24
	○	○	○	Speed 7..... Pr. 27
○	○		○	Speed 5..... Pr. 25
○	○	○	○	Speed 7..... Pr. 27
				Setting using terminal 2, 1, 4, JOG

○ indicates that the signal is on.

- Note:
1. Assumes that the external operation command mode is selected and the remote setting function is not selected.
 2. Multi-speeds override the main speeds (across terminals 2-5, 4-5, 1-5).
 3. When the 12-bit digital speed input (option FR-A5AX) is selected, the above list is invalid. (The 12-bit digital speed input has the highest priority.)
 4. Jog operation overrides the above list.

●Function list (The following specifications apply to the external operation mode.)

Pr. 270 Setting	Load Torque High-Speed Frequency Control	Stop-On-Contact Control (RL, RT)	Multi-Speeds (7 speeds) (RH, RM, RL)
0	×	×	○
1	×	○	○
2	○	×	○
3	○	○	○

○ Indicates that the function is valid.

●Restrictions when 1 to 3 are selected for Pr. 270

Under the following conditions, the functions of Pr. 270 settings "1 to 3" are made invalid:

- PU operation
- Programmed operation
- PU + external combined
- PID control
- Remote setting function mode
- Orientation control (option FR-A5AP)
- Jog operation (common to PU and external operations)

4.2.62 Stop-on-contact control function (Pr. 275, Pr. 276)

Pr. 275 "stop-on-contact excitation current low-speed multiplying factor"

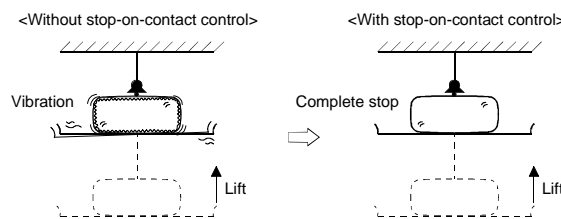
Pr. 276 "stop-on-contact PWM carrier frequency"

Related parameters

- Pr. 4 "multi-speed setting (high speed)"
- Pr. 5 "multi-speed setting (middle speed)"
- Pr. 6 "multi-speed setting (low speed)"
- Pr. 48 "second stall prevention operation current"
- Pr. 180 to Pr. 186 (input terminal function selection)
- Pr. 270 "stop-on-contact, load torque high-speed frequency selection"

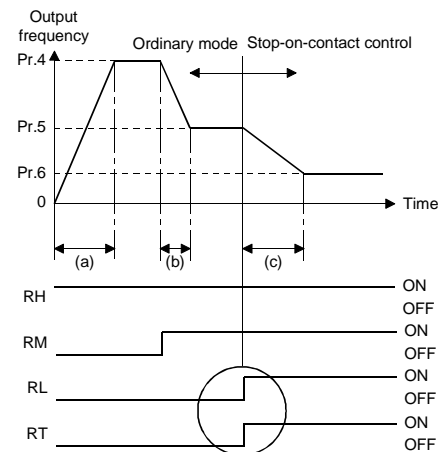
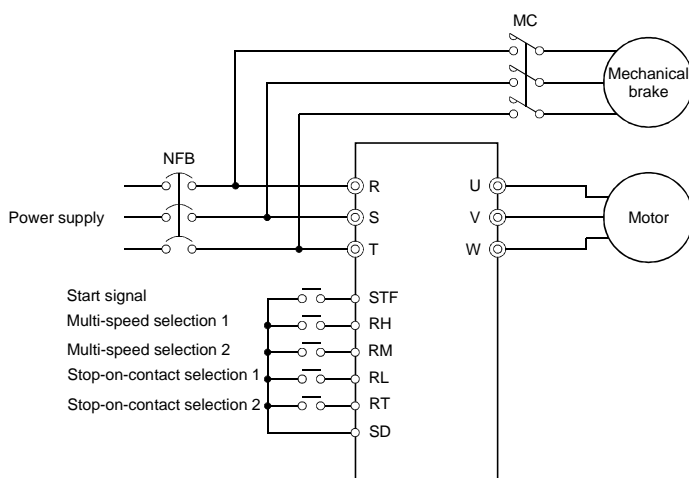
●Set "1 or 3" (stop-on-contact control) in Pr. 270. Also advanced magnetic flux vector control must be selected.

Parameter Number	Factory Setting	Setting Range
270	0	0, 1, 2, 3,
275	9999	0 to 1000%, 9999
276	9999	0 to 15, 9999



<Wiring and operation examples>

- Sink logic



Goes into stop-on-contact control mode when both RL and RT switch on.
 Note: (RL and RT may be switched on in any order with any time difference.)
 (a) Acceleration time (Pr. 7)
 (b) Deceleration time (Pr. 8)
 (c) Second deceleration time (Pr. 44)

Note: The input signal terminals used depend on the Pr. 180 to Pr. 186 settings.

When both the RT and RL terminals are switched on, the inverter enters the stop-on-contact mode, in which operation is performed at the frequency set in Pr. 6 "multi-speed setting (low speed)" independently of the preceding speed.

Note: 1. By increasing the Pr. 275 setting, the low-speed (stop-on-contact) torque increases, but the overcurrent alarm (E.OCT) may occur or the machine may oscillate in a stop-on-contact state.

2. The stop-on-contact function is different from the servo lock function, and if used to stop or hold a load for an extended period, the function can cause the motor to overheat. After a stop, immediately reset this function and use a mechanical brake to hold the load.

3. Under the following operating conditions, the stop-on-contact function is made invalid:

- PU operation
- Programmed operation
- PU + external operation
- PID control function operation
- Remote setting function operation
- Orientation control function operation
- Jog operation

<Setting>

- 1) Select advanced magnetic flux vector control and set "1" or "3" in Pr. 270.
- 2) Refer to the following list and set the parameters:

Parameter Number	Name	Setting	Description
6	Multi-speed setting (low speed)	0 to 400Hz	Set the output frequency for stop-on-contact control. The frequency should be as low as possible (about 2Hz). If it is set to more than 30Hz, the operating frequency will be 30Hz. When stop-on-contact control is to be exercised during encoder feedback control, encoder feedback control is made invalid when the inverter enters the stop-on-contact control mode.
48	Second stall prevention operation current	0 to 200%	Set the stall prevention operation for stop-on-contact control.
275	Stop-on-contact excitation current low-speed multiplying factor	0 to 1000%	Usually set a value between 130% and 180%. Set the force (holding torque) for stop-on-contact control.
		9999	No compensation
276	Stop-on-contact PWM carrier frequency	0 to 15	Set a PWM carrier frequency for stop-on-contact control. (Valid at the frequency of 3Hz or less)
		9999	Conforms to the Pr. 72 "PWM carrier frequency selection".

- Function switch-over when stop-on-contact control is selected

Operation Mode (External) RL, RT terminals	Ordinary Operation		Stop-on-Contact Control		Remarks
	RL	RT	RL	RT	
Main function	Either is OFF		ON	ON	
Output frequency for a stop-on-contact	Multi-speeds 0 to 5V, 0 to 10V 4 to 20mA		Pr. 6 "low-speed frequency"		
Stall prevention operation level	Pr. 22 (stall prevention operation level)		Pr. 48 (second stall prevention operation current)		When RL and RT are on, Pr. 49 (second stall prevention operation frequency) is invalid.
Excitation current low-speed multiplying factor			The current is compensated for by the multiplying factor (0 to 1000%) set in Pr. 275 before RL and RT are switched on.		
Carrier frequency	Pr. 72 "PWM frequency selection" (0 to 15)		Pr. 276 (stop-on-contact PWM carrier frequency) (0 to 15, 9999)		
High-response current limit	Yes		No		

Frequencies set in stop-on-contact control (Pr. 270 = 1 or 3) (In external operation mode)

The following table lists the frequencies set when the input terminals (RH, RM, RL, RT, JOG) are selected together.

Input Signals					Set Frequency	Pr.	Stop-on-Contact Control Function	Remarks
RH	RM	RL	RT	JOG				
○					Speed 1 (high speed)	Pr. 4		
	○				Speed 2 (middle speed)	Pr. 5		
		○			Speed 3 (low speed)	Pr. 6		
			○		According to 0-5V, 0-10V, 4-20mA			
				○	Jog frequency	Pr. 15		
○	○				Speed 6	Pr. 26		Middle speed when Pr. 26 = 9999
○		○			Speed 5	Pr. 25		Low speed when Pr. 25 = 9999
○			○		Speed 1 (high speed)	Pr. 4		
○				○	Jog frequency	Pr. 15		
	○	○			Speed 4	Pr. 24		Low speed when Pr. 24 = 9999
	○		○		Speed 2 (middle speed)	Pr. 5		
	○			○	Jog frequency	Pr. 15		
		○	○		Speed 3 (low speed, stop-on-contact frequency)	Pr. 6	●	
		○		○	Jog frequency	Pr. 15		
			○	○	Jog frequency	Pr. 15		
		○	○	○	Jog frequency	Pr. 15		
	○		○	○	Jog frequency	Pr. 15		
	○	○		○	Jog frequency	Pr. 15		
	○	○	○		Speed 3 (low speed, stop-on-contact frequency)	Pr. 6	●	
○			○	○	Jog frequency	Pr. 15		
○		○		○	Jog frequency	Pr. 15		
○		○	○		Speed 3 (low speed, stop-on-contact frequency)	Pr. 6	●	
○	○			○	Jog frequency	Pr. 15		
○	○		○		Speed 6	Pr. 26		Middle speed when Pr. 26 = 9999
○	○	○			Speed 7	Pr. 27		Low speed when Pr. 27 = 9999
	○	○	○	○	Jog frequency	Pr. 15		
○		○	○	○	Jog frequency	Pr. 15		
○	○		○	○	Jog frequency	Pr. 15		
○	○	○		○	Jog frequency	Pr. 6		
○	○	○	○		Speed 3 (low speed, stop-on-contact frequency)	Pr. 6	●	
○	○	○	○	○	Jog frequency	Pr. 15		
					According to 0-5V, 0-10V, 4-20mA			

* ● indicates that the function is selected.

- Note:
1. ○ indicates that the signal is on.
 2. Indicates that the remote setting function is not selected. (The remote setting function disables stop-on-contact control.)
 3. The selection of the 12-bit digital speed input option (FR-A5AX) makes the above list invalid. Note that when both RL and RT are on, the frequency is as set in Pr. 6 and stop-on-contact control is exercised.
 4. The jog frequency has the highest priority.
 5. When the terminal functions are changed using Pr. 180 to Pr. 186, the other functions may be affected. Confirm the functions of the corresponding terminals before making settings.

4.2.63 Brake sequence function (Pr. 278 to Pr. 285)

Pr. 278 "brake opening frequency"

Pr. 279 "brake opening current"

Pr. 280 "brake opening current detection time"

Pr. 281 "brake operation time at start"

Pr. 282 "brake operation frequency"

Pr. 283 "brake operation time at stop"

Pr. 284 "deceleration detection function selection"

Pr. 285 "overspeed detection frequency"

— Related parameters —

- Pr. 60 "intelligent mode selection"
- Pr. 80 "motor capacity"
- Pr. 81 "number of motor poles"
- Pr. 180 to Pr. 186
(input terminal function selection)
- Pr. 190 to Pr. 195
(output terminal function selection)

This function is used to output from the inverter the mechanical brake opening completion signal timing signal in vertical lift and other applications.

This function prevents the load from dropping with gravity at starting due to the operation timing fault of the mechanical brake or an overcurrent alarm at a stop, ensuring secure operation.

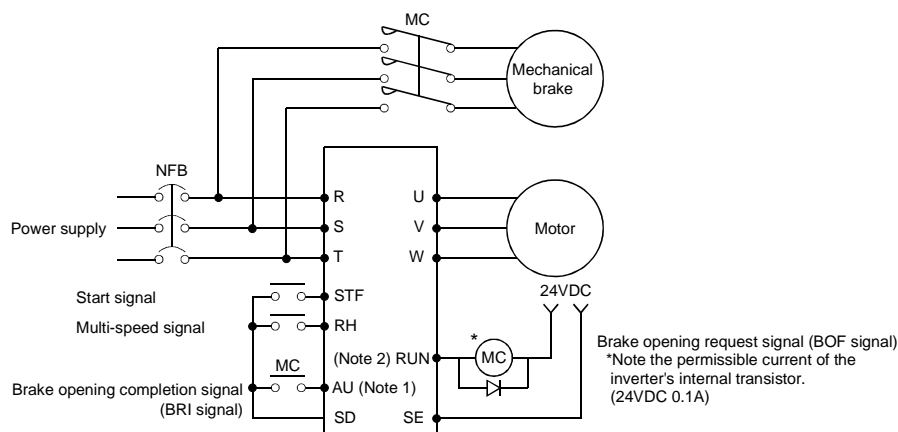
- The mechanical brake opening completion signal may either be entered or not entered into the inverter.
- This function is only valid when "7" or "8" is set in Pr. 60 to select advanced magnetic flux vector control in the external operation mode. (With the exception of Pr. 285)

Parameter Number	Factory Setting	Setting Range
278	3Hz	0 to 30Hz
279	130%	0 to 200%
280	0.3 s	0 to 2 s
281	0.3 s	0 to 5 s
282	6Hz	0 to 30Hz
283	0.3 s	0 to 5 s
284	0	0, 1
285	9999	0 to 30Hz, 9999

(Note) When the brake sequence function is selected, automatic restart after instantaneous power failure function is invalid.

<Wiring example>

- Sink logic
- Pr. 184 = 15
- Pr. 190 = 20

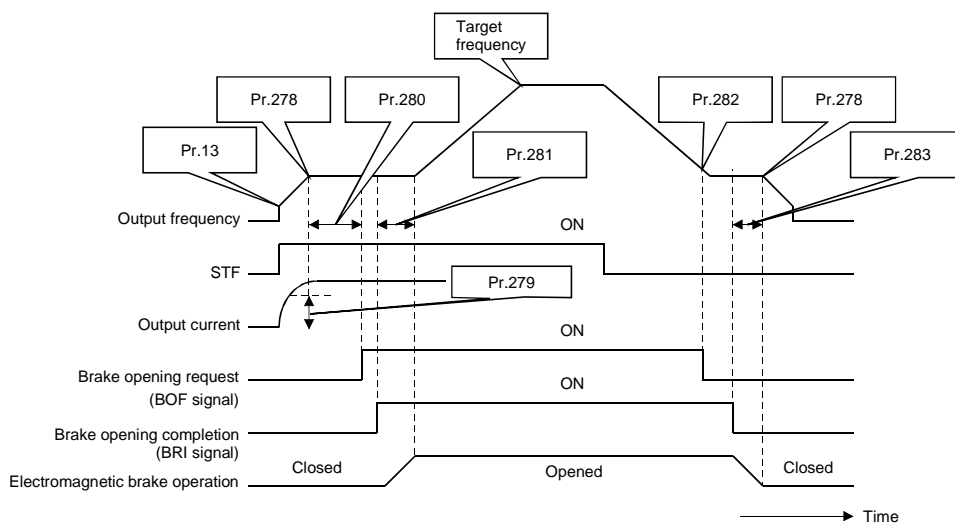


Note: 1. The input signal terminal used depends on the Pr. 180 to Pr. 186 settings.
 2. The output signal terminal used depends on the Pr. 190 to Pr. 195 settings.

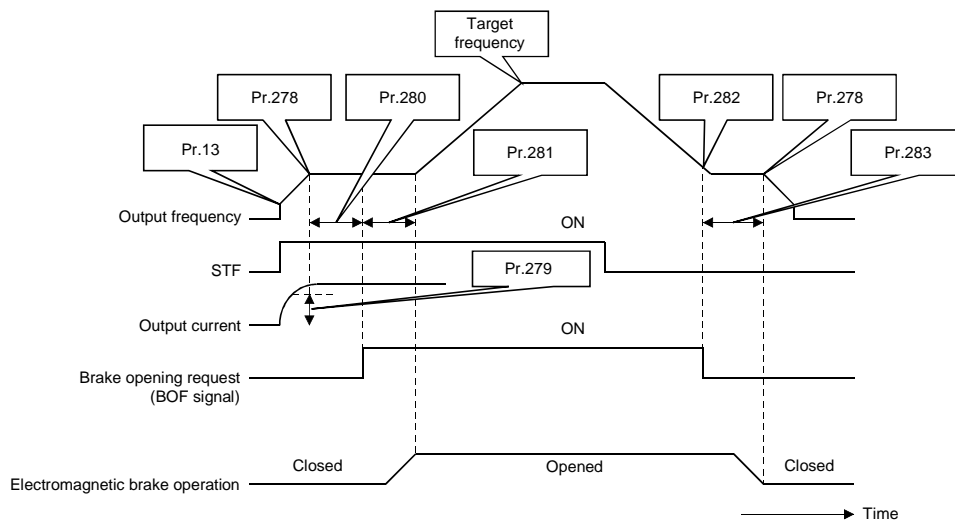
<Operation example>

- At start: When the start signal is input to the inverter, the inverter starts running. When the output frequency reaches the value set in Pr. 278 and the output current is not less than the value set in Pr. 279, the inverter outputs the brake opening request signal (BOF) after the time set in Pr. 280 has elapsed. When the time set in Pr. 281 elapses after the brake opening completion signal (BRI) was activated, the inverter increases the output frequency to the set speed.
- At stop: When the speed has decreased to the frequency set in Pr. 282, the brake opening request signal (BOF) is switched off. When the time set in Pr. 283 elapses after the brake operation confirmation signal (BRI) was activated, the motor decelerates to a stop.
*If Pr. 60 = "8" (mechanical brake opening completion signal not input), this time is the time after the brake opening request signal is output.

1) Pr. 60 = "7" (brake opening completion signal input)



2) Pr. 60 = "8" (mechanical brake opening completion signal not input)



<Setting>

(1) Parameter setting

1) Select advanced magnetic flux vector control. (Pr. 80, Pr. 81 ≠ "9999")

2) Set "7 or 8" (brake sequence mode) in Pr. 60.

To ensure more complete sequence control, it is recommended to set "7" (brake opening completion signal input) in Pr. 60. Note that the automatic restart after instantaneous power failure function is not activated when the brake sequence mode is selected.

3) Refer to the following table and set the parameters:

Parameter Number	Name	Setting	Description
278	Brake opening frequency	0 to 30Hz	Set to the rated slip frequency of the motor + about 1.0Hz. This parameter may only be set if Pr. 278 ≤ Pr. 282.
279	Brake opening current	0 to 200%	Generally, set this parameter to about 50 to 90%. If the setting is too low, the load is liable to drop with gravity at start. Suppose that the rated inverter current is 100%.
280	Brake opening current detection time	0 to 2 s	Generally, set this parameter to about 0.1 to 0.3s.
281	Brake operation time at start	0 to 5 s	Pr. 60 = 7: Set the mechanical delay time until the brake is loosened. Pr. 60 = 8: Set the mechanical delay time until the brake is loosened + about 0.1-0.2s.
282	Brake closing frequency	0 to 30Hz	At this frequency, the brake opening request signal (BOF) is switched off. Generally, set this parameter to the Pr. 278 setting + 3-4Hz. This parameter may only be set if Pr. 282 ≥ Pr. 278.
283	Brake operation time at stop	0 to 5 s	Pr. 60 = 7: Set the mechanical delay time until the brake is closed + 0.1s. Pr. 60 = 8: Set the mechanical delay time until the brake is closed + about 0.2 to 0.3 s.
284	Deceleration detection function selection	0	Deceleration is not detected.
		1	If deceleration is not normal during deceleration operation, the inverter alarm (E.MB2) is provided to shut off the output and switch off the brake opening request signal (BOF).
285	Overspeed detection frequency*	0 to 30Hz	If (detected frequency) - (output frequency) > Pr. 285 in the encoder feedback control mode, the inverter alarm (E.MB1) is provided to shut off the output and switch off the brake opening request signal (BOF).
		9999	Overspeed is not detected.

* When vector control is executed with the FR-A5AP, this is replaced with excessive speed deviation detection frequency. (Refer to the instruction manual of the FR-A5AP for details.)

Note: When using this function, set the acceleration time to 1s or longer.

(2) Explanations of terminals used

The terminals must be allocated using Pr. 180 to Pr. 186 and Pr. 190 to Pr. 195.

Signal	Terminals Used	Brake Sequence Mode	
		Pr. 60 = 7 (with mechanical brake opening completion signal)	Pr. 60 = 8 (without mechanical brake opening completion signal)
BOF	According to Pr. 190 to Pr. 195	Brake opening request	Brake opening request
BRI	According to Pr. 180 to Pr. 186	Brake opening completion signal	—

Note: 1. The brake opening completion signal (BRI) is a parameter valid when Pr. 60 = 7.
2. When the terminal functions are changed using Pr. 180 to 186 and Pr. 190 to Pr. 195, the other functions may be affected. Confirm the functions of the corresponding terminals before making settings.

(3) Protective functions

If any of the following errors occur in the brake sequence mode, the inverter results in an alarm, shuts off the output and switches off the brake opening request signal (BOF terminal).

On the operation panel (FR-DU04) LED and parameter unit (FR-PU04) screen, the following errors are displayed:

Error Display	Error Display
E.MB1	(Detected frequency) - (output frequency) > Pr. 285 in the encoder feedback control mode. (Overspeed detection function)
E.MB2	Deceleration is not normal during deceleration operation (Use Pr. 284 to select this function.) (Except stall prevention operation)
E.MB3	Brake opening request signal (BOF) switched on though the motor is at a stop. (A drop due to gravity prevention function)
E.MB4	More than 2s after the run command (forward or reverse rotation) is input, the brake opening request signal (BOF) does not switch on.
E.MB5	More than 2s after the brake opening request signal switched on, the brake opening completion signal (BRI) does not switch on.
E.MB6	Though the inverter had switched on the brake opening request signal (BOF), the brake opening completion signal (BRI) switched off during that period.
E.MB7	More than 2s after the brake opening request signal (BOF) switched off at a stop, the brake opening completion signal (BRI) does not switch off.

Note: During encoder feedback control (when the FR-A5AP option is fitted), overspeed detection (Pr. 285) is valid if the Pr. 60 setting is other than "7 or 8".

4.2.64 Droop control (Pr. 286, Pr. 287)

Pr. 286 "droop gain"

Pr. 287 "droop filter constant"

— Related parameters —
 Pr. 9 "electronic thermal O/L relay"
 Pr. 71 "applied motor"
 Pr. 84 "rated motor frequency"

This function balances the load in proportion to the load torque with or without encoder, and provides speed drooping characteristics.

This is effective in balancing the load when using multiple inverters.

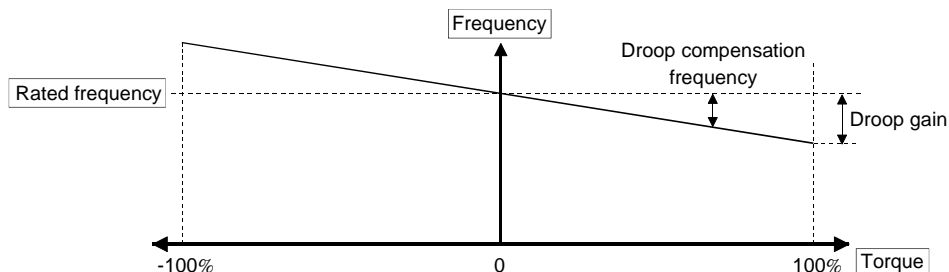
- The output frequency is varied according to the amount of torque current during unbalanced flux vector control and vector control.

The drooping amount at the rated torque is set by the droop gain as a percentage using the rated frequency as a reference.

$$\text{Droop compensation frequency} = \frac{\text{Amount of torque current after filtering}}{\text{Rated current}} \times \frac{\text{Rated frequency} \times \text{droop gain}}{100}$$

- Confirm the following items when using the droop control.
 1. This function is valid when Pr. 286 \neq "0" during unbalanced flux vector and vector control.
 2. This function is valid when the operation state is constant speed operation.
 3. The upper limit of the droop compensation frequency is 120Hz.
 4. The rated current follows the value set in Pr. 9 "motor rated current".

Parameter No.	Factory setting	Setting range
286	0%	0 to 100%
287	0.3s	0.00 to 1.00s



<Setting>

Refer to the following table and set each parameter.

Parameter No.	Details
286	Set the drooping amount at the rated torque as a percentage with respect to the rated frequency. When the setting value is "0", the function will be invalid.
287	Set the time constant of the filter applied on the torque amount current.

Pr. 342 → Refer to Pr. 117.

4.2.65 Capacitor life alarm (Pr. 503, Pr. 504)

Pr. 503 "capacitor life timer"

Pr. 504 "capacitor life alarm output setting time"

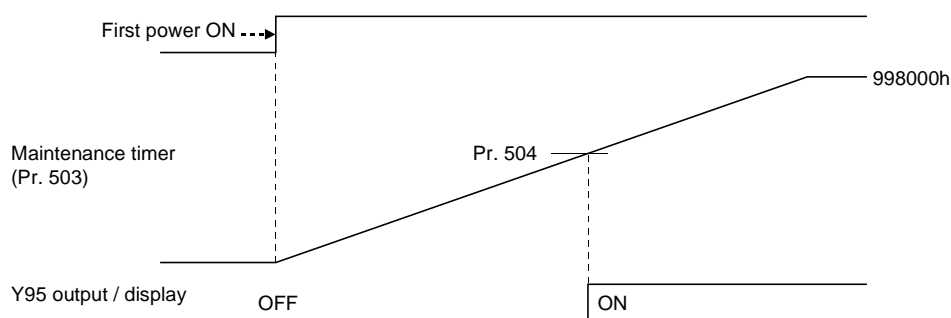
— Related parameters —
Pr. 190 to Pr. 195
(output terminal / function selection)

When the cumulative operation time of the inverter has elapsed the time set in Pr. 504 "capacitor life alarm output set time", the capacitor life alarm output signal "Y95" is output to inform that it is time for replacement (Note 1) of the smoothing capacitor in the main circuit of the inverter.

Parameter Number	Factory Setting	Setting range
503	-	-
504	876 (87600 hours)	0 to 9998, (9999)

<Setting>

Parameter Number	Setting	Description	Remarks
503	-	Display the cumulative operation time of the inverter in 100hours increments. (write is not enabled) Clamped at 9998 (999800h)	The capacitor life is counted every 1hours and the figures above hundreds are displayed.
504	0 to 9998h	Set the time until the capacitor life alarm output signal "Y95" is output.	By setting "95" (negative logic 195) in Pr. 190 to Pr. 195 "output terminal function selection", the capacitor life alarm signal "Y95" can be output. (Refer to page 162 .)
	9999	Set by the manufacturer. The set time is a factory setting value.	



The life of electrolytic capacitor is about ten years (87600 hours) in the average yearly ambient temperature of 40°C. (Note 2)

The life of electrolytic capacitor decreases to half if the ambient temperature increases by 10°C and doubles if decreases by 10°C. Please note this as reference when setting the time.

For example, when the average yearly ambient temperature is 50°C, set "438" (43800 hours) in Pr. 504

Note: 1. For replacement of the capacitor, contact the nearest Mitsubishi FA center.
2. The estimated life time (87600 hours) of the capacitor differs according to the environmental conditions (ambient temperature, conditions, etc.) of the inverter.

Pr. 611 → Refer to Pr. 57.

4.2.66 FM / AM terminal calibration (Pr. 900, Pr. 901)

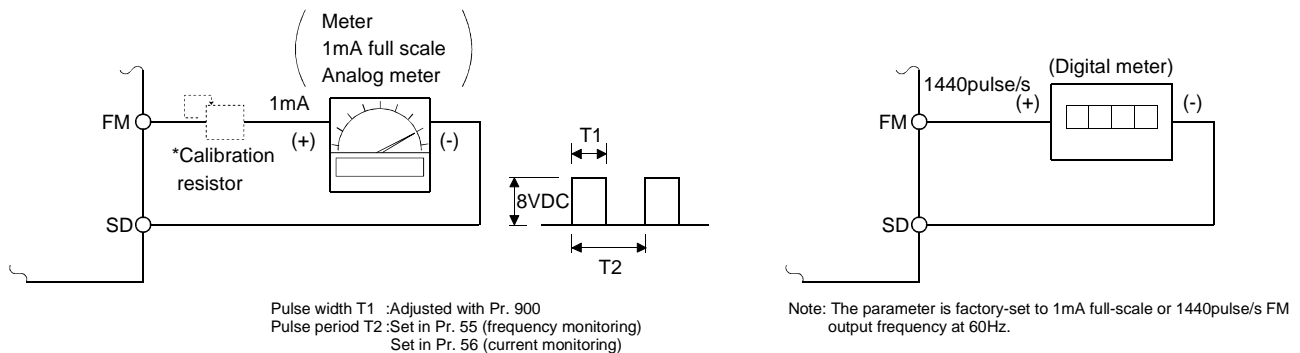
Pr. 900 "FM terminal calibration"

Pr. 901 "AM terminal calibration"

Related parameters

Pr. 54 "FM terminal function selection"
Pr. 55 "frequency monitoring reference"
Pr. 56 "current monitoring reference"
Pr. 158 "AM terminal function selection"

- By using the operation panel/parameter unit, you can calibrate a meter connected to terminal FM to full scale.
- Terminal FM provides the pulse output. By setting Pr. 900, you can calibrate the meter connected to the inverter from the parameter unit without providing a calibration resistor.
- You can display a digital value on a digital counter using the pulse train signal from terminal FM. A 1440 pulse/s output is provided at the full scale value as explained in the section of Pr. 54. When the running frequency has been selected for monitoring, the ratio of this FM terminal output frequency can be set in Pr. 55.



* Not needed when the operation panel (FR-DU04) or parameter unit (FR-PU04) is used for calibration. Used when calibration must be made near the frequency meter for such a reason as a remote frequency meter. However, the frequency meter needle may not deflect to full-scale if the calibration resistor is connected. In this case, use this resistor and the operation panel or parameter unit together to make calibration.

- Terminal AM is factory-set to provide a 10VDC output in the full-scale state of each monitored data. Pr. 901 allows the output voltage ratio (gain) to be adjusted according to the meter reading. Note that the maximum output voltage is 10VDC.

(1) Calibration of terminal FM

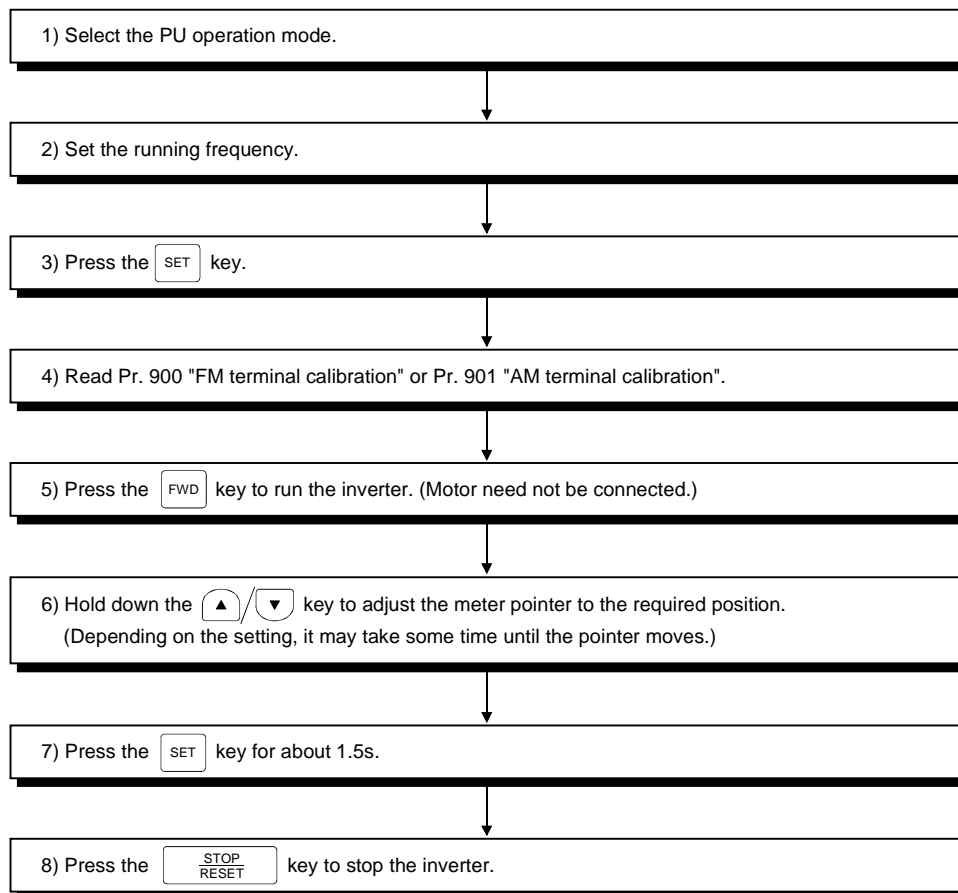
- 1) Connect a meter (frequency meter) across inverter terminals FM-SD. (Note the polarity. FM is the positive terminal.)
- 2) When a calibration resistor has already been connected, adjust the resistance to "0" or remove the resistor.
- 3) Set any of "1 to 3, 5 to 14, 17, 18 and 21" in Pr. 54.
When the running frequency or inverter output current has been selected as the output signal, preset in Pr. 55 or Pr. 56 the running frequency or current at which the output signal is 1440 pulse/s. At this 1440 pulse/s, the meter normally deflects to full scale.
- 4) When outputting the item that cannot achieve a 100% value easily by operation, e.g. output current, set "21" (reference output voltage) in Pr. 54 and perform the following operation. After that, set "2" (output current, for example) in Pr. 54.

(2) Calibration of terminal AM

- 1) Connect a 0-10VDC meter (frequency meter) across inverter terminals AM-5. (Note the polarity. AM is the positive terminal.)
- 2) Set any of "1 to 3, 5 to 14, 17, 18 and 21" in Pr. 158.
When the running frequency or inverter output current has been selected as the output signal, preset in Pr. 55 or Pr. 56 the running frequency or current at which the output signal is 10V.
- 3) When outputting a signal which cannot achieve a 100% value easily by operation, e.g. output current, set "21" in Pr. 158 and perform the following operation. After that, set "2" (output current, for example) in Pr. 158.

<Operation procedure>

- When operation panel (FR-DU04) is used

**REMARKS**

Calibration can also be made for external operation. Set the frequency in the external operation mode and make calibration in accordance with steps 4) to 8).

- Note: 1. Pr. 900 is factory-set to 1mA full-scale or 1440 pulse/s FM output frequency at 60Hz. The maximum pulse train output of terminal FM is 2400 pulse/s.
2. When a frequency meter is connected across terminals FM-SD to monitor the running frequency, the FM terminal output is filled to capacity at the factory setting if the maximum output frequency reaches or exceeds 100Hz. In this case, the Pr. 55 setting must be changed to the maximum frequency.
3. For the operation procedure using the parameter unit (FR-PU04), refer to the FR-PU04 instruction manual.
4. Calibration can also be made during operation.

4.2.67 Frequency setting voltage (current) bias and gain (Pr. 902 to Pr. 905)

Pr. 902 "frequency setting voltage bias"

Pr. 903 "frequency setting voltage gain"

Pr. 904 "frequency setting current bias"

Pr. 905 "frequency setting current gain"

Related parameters

Pr. 20 "acceleration/deceleration reference frequency"
Pr. 73 "0-5V/0-10V selection"
Pr. 79 "operation mode selection"

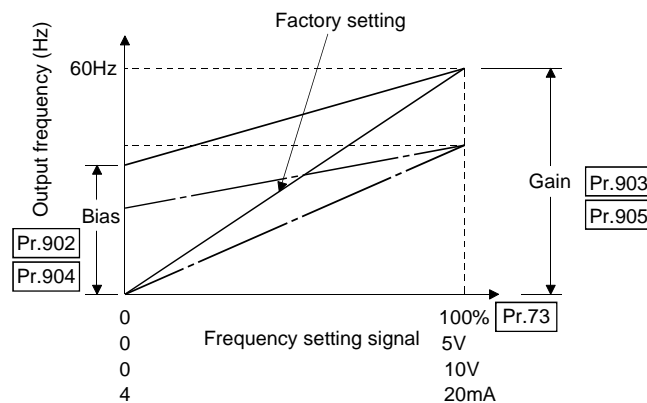
You can set the magnitude (slope) of the output frequency as desired in relation to the frequency setting signal (0 to 5V, 0 to 10V or 4 to 20mADC).

The "bias" and "gain" functions are used to adjust the relationship between the input signal entered from outside the inverter to set the output frequency, e.g. 0 to 5VDC, 0 to 10VDC or 4 to 20mADC, and the output frequency.

- Use Pr. 902 to set the bias frequency at 0V.
- Use Pr. 903 to set the output frequency relative to the frequency command voltage set in Pr. 73.
- Use Pr. 904 to set the bias frequency at 4mA.
- Use Pr. 905 to set the output frequency relative to the 20mA frequency command current (4 to 20mA).

Parameter Number	Factory Setting*		Setting Range	
902	0V	0Hz	0 to 10V	0 to 60Hz
903	5V	60Hz	0 to 10V	1 to 400Hz
904	4mA	0Hz	0 to 20mA	0 to 60Hz
905	20mA	60Hz	0 to 20mA	1 to 400Hz

*Factory settings may differ because of calibration parameters.



<Setting>

- (1) The frequency setting voltage biases and gains may be adjusted in either of the following three ways:
 - 1) Any point can be adjusted with a voltage applied across terminals 2-5.
 - 2) Any point can be adjusted with no voltage applied across terminals 2-5.
 - 3) Bias voltage is not adjusted.
- (2) The frequency setting current biases and gains may be adjusted in either of the following three ways:
 - 1) Any point can be adjusted with a current flowing at terminal 4.
 - 2) Any point can be adjusted with no current flowing at terminal 4.
 - 3) Bias current is not adjusted.

Pr. 903 "frequency setting voltage gain"**(Pr. 902, Pr. 904, Pr. 905 can also be adjusted similarly.)**

<Adjustment procedure> When using the frequency setting signal from the operation panel (FR-DU04) to set the frequency.

(1) Power-on (monitoring mode)



(2) Choose the PU operation mode.

1) Using the **MODE** key, make sure that the PU operation mode has been selected.

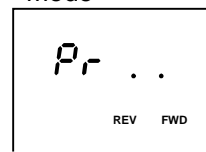
●Monitoring mode

**MODE**

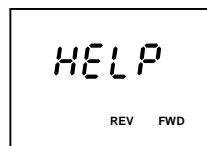
●Frequency setting mode

**MODE**

●Parameter setting mode

**MODE**

●Help mode

**MODE**

●Operation mode (PU operation mode)

**MODE**

Confirm that the PU operation mode

(**PU**) has been chosen.

In the jog operation mode (**JOG**)

or external operation mode (**OPNd**),

press the **▲/▼** key to display **PU**.

If **PU** cannot be displayed by pressing

the **▲/▼** key in the external operation mode

(**OPNd**) (if Pr. 79 "operation mode

selection" ≠ "0"), refer to 2) and set "1"

(PU operation mode) in Pr. 79 "operation mode

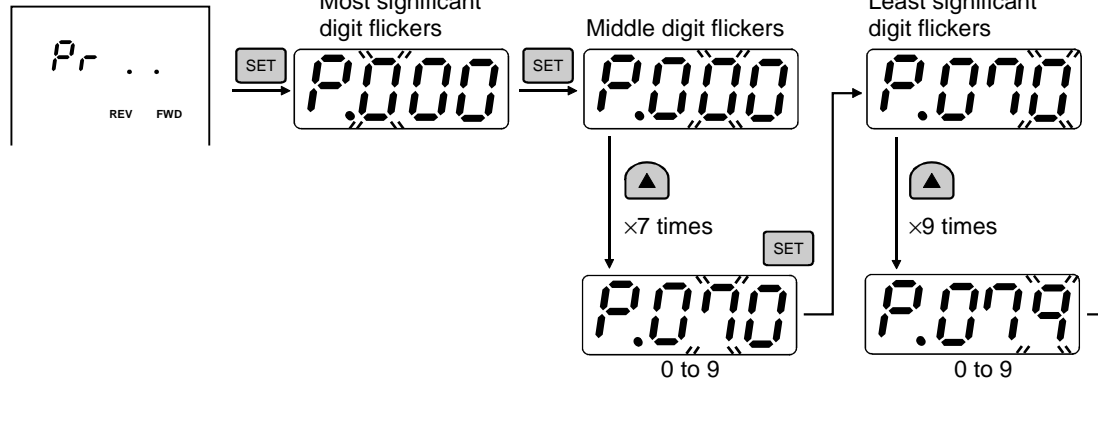
selection".

2) Set "1" (PU operation mode) in Pr. 79 "operation mode selection".

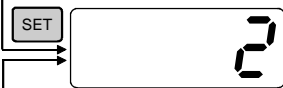
Example: To change the external operation mode (Pr. 79=2) to the PU operation mode (Pr. 79=1)

Using the **MODE** key, choose the "parameter setting mode" as in 1).

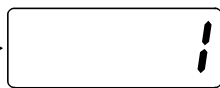
●Parameter setting mode



●Current setting

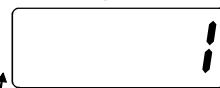


●Setting change

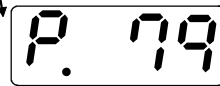


Press for 1.5 s **SET**

●Setting write



Flicker



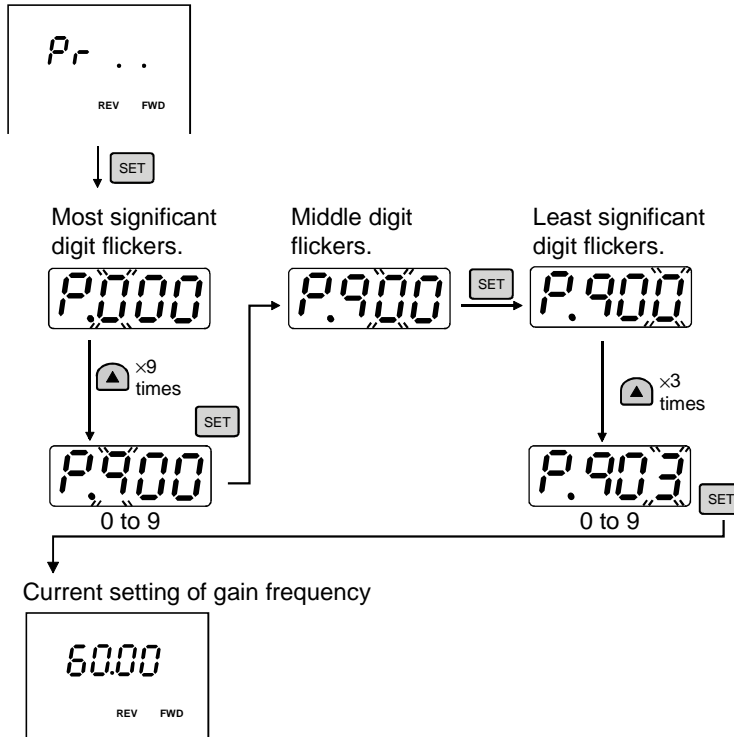
----- If **Err** appears, make sure that the forward rotation (STF) or reverse rotation (STR) signal connected to the control terminal is not on. If it is on, turn it off.

----- "1" (PU operation mode) has been set in Pr. 79. If **P. 80** appears, you did not press the **SET** key for 1.5s when writing the setting. Restart the procedure from the beginning. Press the **▲** key once, press the **SET** key, and restart the setting from the beginning.

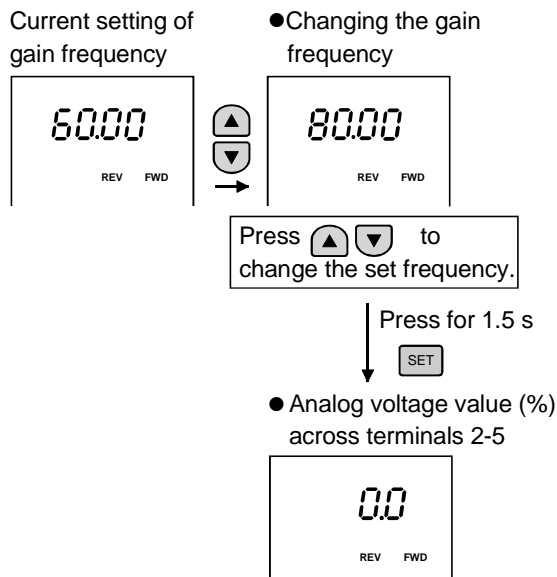
(3) Read Pr. 903 and show the current setting of the gain frequency.
 (Pr. 902, Pr. 904 and Pr. 905 can also be adjusted similarly.)

●Parameter setting mode

Using the **MODE** key, choose the "parameter setting mode" as in (2)-1).



(4) Set a gain frequency in Pr. 903 and show the analog voltage value across terminals 2-5 in %.
 (when setting the frequency to 80Hz)



In any of the methods in (5) to (7) on the following page, continue the setting until the analog voltage value flickers. If you end the setting here, the gain frequency change will not be reflected.

- When not adjusting the gain voltage → go to (5) - 1)
- When adjusting any point by applying a voltage → go to (5) - 2)
- When adjusting any point without applying a voltage → go to (5) - 3)

(5) - 1) How to adjust only the gain frequency and not to adjust the voltage

- Analog voltage value (%) across terminals 2-5
- Press the or key once to display the current analog voltage adjustment.

Example: When analog voltage adjustment value is 100%(5V)

Press for 1.5 s

Flicker

To (6)

(5) - 2) How to adjust any point by applying a voltage across terminals 2-5 (e.g. from the external potentiometer) (current: across terminals 4-5) (When applying 5V)

- Analog voltage value (%) across terminals 2-5
- Apply a 5V voltage. (Turn the external potentiometer connected across terminals 2-5 to maximum.)

Press for 1.5 s

Flicker

When the potentiometer is at the maximum position, the value is nearly 100.

To (6)

(5) - 3) How to adjust any point without applying a voltage across terminals 2-5 (without a current flowing across terminals 4-5) (when changing from 4V (80%) to 5V (100%))

- Analog voltage value (%) across terminals 2-5
- Press the or key once to display the current analog voltage calibration value.
- Set the gain voltage (%) with the / key. [0(%) for 0V (0mA), 100(%) for 5V (10V, 20mA)]

Press for 1.5 s

Flicker

To (6)


(6) Press the key to shift to the next parameter.

(7) Re-set Pr. 79 "operation mode selection" according to the operation mode to be used.

Note: 1. If the Pr. 903 or Pr. 905 (gain adjustment) value is changed, the Pr. 20 value does not change. The input signal to terminal 1 (frequency setting auxiliary input) is added to the frequency setting signal.

2. For the operation procedure using the parameter unit (FR-PU04), refer to the FR-PU04 instruction manual.

CAUTION

 **Be careful when setting any value other than "0" as the bias frequency at 0V. Even without the speed command, the motor will start running at the set frequency by merely switching on the start signal.**

4.2.68 PU buzzer control (Pr. 990)

Pr. 990 " PU buzzer control"

You can make the buzzer "beep" when you press any key of the operation panel or parameter unit.

Parameter Number	Factory Setting	Setting Range	Remarks
990	1	0,1	0: Without beep, 1: With beep

CHAPTER 5

PROTECTIVE FUNCTIONS

This chapter explains the "protective functions" for use of this product.

Always read the instructions and other information before using the equipment.

5.1 Errors (Alarms)	196
5.2 Troubleshooting.....	207

Chapter 1

Chapter 2

Chapter 3

Chapter 4

Chapter 5

Chapter 6


Chapter 7

Chapter 8

5.1 Errors (Alarms)

If any fault has occurred in the inverter, the corresponding protective function is activated and the error (alarm) indication appears automatically on the PU display. When the protective function is activated, refer to "5.2 Troubleshooting" and clear up the cause by taking proper action. If an alarm stop has occurred, the inverter must be reset to restart it.


- When the protective function is activated, take the corresponding corrective action, then reset the inverter, and resume operation.
- Resetting method


When the protective function is activated and the inverter has stopped its output, the inverter output is kept stopped (and the motor is coasted to a stop). Unless reset, therefore, the inverter cannot restart. To reset, use any of the following methods: switch power off once, then on again; short reset terminal RES-SD for more than 0.1s, then open; or press the  key of the operation panel or parameter unit (use the help function of the parameter unit). If RES-SD are kept shorted, the operation panel shows "Err." and the parameter unit indicates that the inverter is being reset.

5.1.1 Error (alarm) definitions

(1) Major faults

When the protective function is activated, the inverter output is shut off and the alarm is output.

Operation Panel Indication	E.OC1		FR-PU04	OC During Accs
Name	Overcurrent shut-off during acceleration			
Description	When the inverter output current reaches or exceeds approximately 200% of the rated current during acceleration, the protective circuit is activated to stop the inverter output. This indication also appears when the start signal is entered with power supplied to the R1 and S1 terminals only.			
Check point	Check for sudden acceleration. Check for long descending acceleration time of lift applications. Check for output short circuit. Check that main circuit power (R, S, T) is supplied.			
Corrective action	<ul style="list-style-type: none"> • Increase the acceleration time. (Decrease the descending acceleration time.) • If "E.OC1" is always lit at a start, disconnect the motor once and then start the inverter. If "E.OC1" is still lit, contact your sales representative. • Supply main circuit power (R, S, T). 			

Operation Panel Indication	E.OC2		FR-PU04	Stedy Spd OC
Name	Overcurrent shut-off during constant speed			
Description	When the inverter output current reaches or exceeds approximately 200% of the rated current during constant speed, the protective circuit is activated to stop the inverter output.			
Check point	Check for sudden load change. Check for output short circuit.			
Corrective action	Keep load stable.			

Operation Panel Indication	E.OC3	E.Oc3	FR-PU04	OC During Dec
Name	Overcurrent shut-off during deceleration			
Description	When the inverter output current reaches or exceeds approximately 200% of the rated current during deceleration (other than acceleration or constant speed), the protective circuit is activated to stop the inverter output.			
Check point	Check for sudden speed reduction. Check for output short circuit. Check for too fast operation of motor's mechanical brake.			
Corrective action	Increase the deceleration time. Check mechanical brake operation.			

Operation Panel Indication	E.OV1	E.Ov1	FR-PU04	OV During Acc
Name	Regenerative overvoltage shut-off during acceleration			
Description	A prealarm (RB indication) occurs if the inverter's internal main circuit DC voltage reaches 85% of the specified value due to regenerative energy. If that voltage reaches or exceeds the specified value, the protective circuit is activated to stop the inverter output. It may also be activated by a surge voltage generated in the power supply system.			
Check point	Check for too slow acceleration. (e.g, during descending acceleration with lifting load)			
Corrective action	Decrease the acceleration time.			

Operation Panel Indication	E.OV2	E.Ov2	FR-PU04	Stedy Spd OV
Name	Regenerative overvoltage shut-off during constant speed			
Description	A prealarm (RB indication) occurs if the inverter's internal main circuit DC voltage reaches 85% of the specified value due to regenerative energy. If that voltage reaches or exceeds the specified value, the protective circuit is activated to stop the inverter output. It may also be activated by a surge voltage generated in the power supply system.			
Check point	Check for sudden load change.			
Corrective action	<ul style="list-style-type: none"> • Keep load stable. • Use the brake unit or power regeneration common converter (FR-CV) as required. 			

Operation Panel Indication	E.OV3	E.Ov3	FR-PU04	OV During Dec
Name	Regenerative overvoltage shut-off during deceleration or stop			
Description	A prealarm (RB indication) occurs if the inverter's internal main circuit DC voltage reaches 85% of the specified value due to regenerative energy. If that voltage reaches or exceeds the specified value, the protective circuit is activated to stop the inverter output. It may also be activated by a surge voltage generated in the power supply system.			
Check point	Check for sudden speed reduction.			
Corrective action	<ul style="list-style-type: none"> • Increase the deceleration time. (Set the deceleration time which matches the inertia moment of the load) • Decrease the braking duty. • Use the brake unit or power regeneration common converter (FR-CV) as required. 			

PROTECTIVE FUNCTIONS

Operation Panel Indication	E.THM	E.THM	FR-PU04	Motor Ovrload
Name	Motor overload shut-off (electronic overcurrent protection) (Note 1)			
Description	The electronic overcurrent protection in the inverter detects motor overheat due to overload or reduced cooling capability during constant-speed operation. When 85% of the preset value is reached, pre-alarm (TH indication) occurs. When the specified value is reached, the protective circuit is activated to stop the inverter output. When a special motor such as a multi-pole motor or two or more motors are run, provide a thermal relay in the inverter output side since the motor(s) cannot be protected by the electronic overcurrent protection.			
Check point	Check the motor for use under overload.			
Corrective action	<ul style="list-style-type: none"> • Reduce the load weight. • For a constant-torque motor, change the Pr. 71 setting to the constant-torque motor setting. 			

Operation Panel Indication	E.THT	E.THT	FR-PU04	Inv. Overload
Name	Inverter overload shut-off (electronic overcurrent protection) (Note 1)			
Description	If a current of more than 150% of the rated output current flows and overcurrent shut-off does not occur (200% or less), inverse-time characteristics cause the electronic overcurrent protection to be activated to stop the inverter output in order to protect the output transistors. (Overload immunity 150%, 60s.)			
Check point	Check the motor for use under overload.			
Corrective action	Reduce the load weight.			

Note: 1. Resetting the inverter initializes the internal heat integrating data of the electronic overcurrent protection.

Operation Panel Indication	E.IPF	E.IPF	FR-PU04	Inst. Pwr. Loss
Name	Instantaneous power failure protection (Note 2)			
Description	If a power failure occurs for longer than 15ms (this also applies to inverter input shut-off), the instantaneous power failure protective function is activated to stop the inverter output in order to prevent the control circuit from malfunctioning. At this time, the alarm warning output contacts open (across terminals B-C) and close (across terminals A-C). (Note 2) If a power failure persists for longer than 100ms, the alarm warning output is not provided, and the inverter restarts if the start signal is on upon power restoration. (The inverter continues operating if an instantaneous power failure is within 15ms.)			
Check point	Find the cause of instantaneous power failure occurrence.			
Corrective action	<ul style="list-style-type: none"> • Remedy the instantaneous power failure. • Prepare a backup power supply for instantaneous power failure. • Set the function of automatic restart after instantaneous power failure. (Refer to page 96.) 			

Note: 2. When an instantaneous power failure occurs, the alarm display and alarm output are not provided, but the inverter performs protective operation to prevent a fault from occurring in itself. In some operating status (load size, acceleration/deceleration time setting, etc.), overcurrent or other protection may be activated upon power restoration.

PROTECTIVE FUNCTIONS

Operation Panel Indication	E.UVT	<i>E.UVT</i>	FR-PU04	Under Voltage
Name	Undervoltage protection			
Description	If the power supply voltage of the inverter reduces, the control circuit will not operate properly and will result in decreased motor torque or increased heat generation. To prevent this, if the power supply voltage reduces below 150V (about 300V for the 400V class), this function stops the inverter output. When a jumper is not connected across P-P1, the undervoltage protective function is activated.			
Check point	Check for start of large-capacity motor. Check that a jumper or DC reactor is connected across terminals P-P1.			
Corrective action	Check the power supply system equipment such as power supply. Connect a jumper or DC reactor across terminals P-P1.			

Operation Panel Indication	E.FIN	<i>E.FIN</i>	FR-PU04	H/Sink O/Temp
Name	Fin overheat			
Description	If the heatsink overheats, the temperature sensor is actuated to stop the inverter output.			
Check point	<ul style="list-style-type: none"> • Check for too high ambient temperature. • Check for heatsink clogging. 			
Corrective action	Set the ambient temperature to within the specifications.			

Operation Panel Indication	E.GF	<i>E. GF</i>	FR-PU04	Earth (Ground) Fault
Name	Output side earth (ground) fault overcurrent protection			
Description	This function stops the inverter output if an earth (ground) fault overcurrent flows due to an earth (ground) fault which occurred in the inverter's output side (load side).			
Check point	Check for an earth (ground) fault in the motor and connection cable.			
Corrective action	Remedy the earth (ground) fault portion.			

Operation Panel Indication	E.OHT	<i>E.OHT</i>	FR-PU04	OH Fault
Name	External thermal relay operation (Note 3)			
Description	If the external thermal relay designed for motor overheat protection or the internally mounted temperature relay in the motor switches on (contacts open), the inverter output is stopped. If the relay contacts are reset automatically, the inverter will not restart unless it is reset.			
Check point	<ul style="list-style-type: none"> • Check for motor overheating. • Check that the value of 7 (OH signal) is set correctly in any of Pr. 180 to Pr. 186 (input terminal function selection). 			
Corrective action	Reduce the load and operating duty.			

Note: 3. This function is activated only when OH has been set to any of Pr. 180 to Pr. 186 (input terminal function selection).

PROTECTIVE FUNCTIONS

Operation Panel Indication	E.BE	E. bE	FR-PU04	Br. Cct. Fault
Name	Brake transistor alarm detection			
Description	If the brake circuit fault has occurred due to damaged brake transistors, etc., this function stops the inverter output. <u>In this case, the inverter power must be switched off immediately.</u>			
Check point	<ul style="list-style-type: none"> • Reduce load J. • Check that the frequency of using the brake is proper. 			
Corrective action	Replace the inverter.			

Operation Panel Indication	E.OLT	E.OLT	FR-PU04	Still Prev STP (OL shown during stall prevention operation)
Name	Stall prevention			
Description	The running frequency has fallen to 0 by stall prevention activated. (OL while stall prevention is being activated.)			
Check point	Check the motor for use under overload.			
Corrective action	Reduce the load weight.			

Operation Panel Indication	E.OPT	E.OPT	FR-PU04	Option Fault
Name	Option alarm			
Description	Stops the inverter output if two or more communication options are fitted. (Note 4) When the high power factor converter is connected, this alarm appears if an AC power supply is accidentally connected to R, S, T terminals.			
Check point	<ul style="list-style-type: none"> • Check that the number of communication options fitted is one. • When the high power factor converter is connected, check for an AC power supply connected to the R, S, T terminals. 			
Corrective action	<ul style="list-style-type: none"> • Reduce the number of communication options used to one. • Check the parameter (Pr. 30) setting and wiring. • When the high power factor converter is connected, connecting an AC power supply to the R, S, T terminals may have damaged the inverter. Contact your sales representative. 			

Note: 4. The FR-A5NR (relay output/computer link) may be used with another communication option. In this case, only the relay output function may be used and the computer link is unusable.

Operation Panel Indication	E.OP1 to OP3	E.OP1 ~ OP3	FR-PU04	Option slot alarm 1 to 3
Name	Option slot alarm			
Description	Stops the inverter output if a functional alarm occurs in the plug-in option loaded in the corresponding slot (e.g. communication alarm of the communication option, contact fault of the plug-in option other than the communication option).			
Check point	<ul style="list-style-type: none"> • Check for a wrong option function setting and operation. • Check that the plug-in option is connected to the connector securely. (1 to 3 indicates the option slot numbers.) • Check the communication cable for wire breakage. • Check that the termination resistor is fitted properly. 			
Corrective action	<ul style="list-style-type: none"> • Confirm the option function setting, etc. • Connect the plug-in option securely. 			

Operation Panel Indication	E.PE	E. PE	FR-PU04	Corrupt Memry
Name	Parameter storage device alarm			
Description	Stops the inverter output if a fault occurs in the E ² PROM device which stores parameter settings.			
Check point	Check for too many number of parameter write times.			
Corrective action	Contact your sales representative.			

PROTECTIVE FUNCTIONS

Operation Panel Indication	E.PUE	E.PUE	FR-PU04	PU Leave Out
Name	Parameter unit disconnection			
Description	This function stops the inverter output if communication between the inverter and PU is suspended, e.g. the operation panel or PU is disconnected, when "2", "3", "16" or "17" was set in Pr. 75 "reset selection/disconnected PU detection/PU stop selection". This function stops the inverter output if the number of successive communication errors is greater than the permissible number of retries when the Pr. 121 ≠ "9999" for RS-485 communication from the PU connector. This function stops the inverter output if communication is broken for the time set in Pr. 122.			
Check point	<ul style="list-style-type: none"> • Check for loose fitting of the DU or PU. • Check the Pr. 75 setting. 			
Corrective action	Fit the DU and PU securely.			

Operation Panel Indication	E.RET	E.RET	FR-PU04	Retry No Over
Name	Retry count exceeded			
Description	If operation cannot be resumed properly within the number of retries set, this function stops the inverter output.			
Check point	Find the cause of alarm occurrence.			
Corrective action	Eliminate the cause of the error preceding this error indication.			

Operation Panel Indication	E.LF	E.LF	FR-PU04	———
Name	Output phase failure protection			
Description	<ul style="list-style-type: none"> • This function stops the inverter output if one of the three phases (U, V, W) on the inverter's output side (load side) results in open phase. 			
Check point	<ul style="list-style-type: none"> • Check the wiring (Check the motor for a fault). • Check that the capacity of the used motor is not smaller than the inverter capacity. 			
Corrective action	<ul style="list-style-type: none"> • Check the cables properly. • Check the setting of Pr. 251 "output phase failure protection selection". 			

Operation Panel Indication	E.CPU	E.CPU	FR-PU04	CPU Fault
Name	CPU error			
Description	If the arithmetic operation of the built-in CPU does not end within a predetermined period, the inverter self-determines it as an alarm and stops the output.			
Check point	———			
Corrective action	<ul style="list-style-type: none"> • Make connection securely. • Contact your sales representative. 			

Operation Panel Indication	E. 1 to E. 3	E. 1~ E. 3	FR-PU04	Fault 1 to Fault 3
Name	Option fault			
Description	The inverter output is stopped if a contact fault occurs at the connector between the inverter and communication option, a fault of the communication option itself, etc. occurs.			
Check point	<ul style="list-style-type: none"> • Check that the communication option is plugged in the connector securely. (1 to 3 indicate the option slot numbers.) • Check for excess electrical noises around the inverter. 			
Corrective action	<ul style="list-style-type: none"> • Connect the communication option securely. • If there are any devices generating excess electrical noises around the inverter, take measures against noises. • Contact your sales representative. 			

PROTECTIVE FUNCTIONS

Operation Panel Indication	E. 6	E. 6	FR-PU04	Fault 6
	E. 7	E. 7		Fault 7
Name	CPU error			
Description	This function stops the inverter output if a communication error occurs in the built-in CPU.			
Check point	<ul style="list-style-type: none"> • Check for excess electrical noises around the inverter. 			
Corrective action	<ul style="list-style-type: none"> • If there are any devices generating excess electrical noises around the inverter, take measures against noises. • Contact your sales representative. 			
Operation Panel Indication	E.P24	E.P24	FR-PU04	E.P24
Name	24VDC power output short circuit			
Description	When the 24VDC power output from the PC terminal is shorted, this function shuts off the power output. At this time, all external contact inputs switch off. The inverter cannot be reset by entering the RES signal. To reset, use the operation panel or switch power off, then on again.			
Check point	Check for a short circuit in the PC terminal output.			
Corrective action	Remedy the short circuit portion.			
Operation Panel Indication	E.CTE	E.CTE	FR-PU04	—
Name	Operation panel power supply short circuit			
Description	When the operation panel power supply (P5S of the PU connector) is shorted, this function shuts off the power supply output. At this time, the operation panel (parameter unit) cannot be used and RS-485 communication from the PU connector cannot be made. To reset, enter the RES signal or switch power off, then on again.			
Check point	Check for a short circuit in the PU connector cable.			
Corrective action	Check the PU and cable.			
Operation Panel Indication	E.MB1 to 7	E.MB1 ~7	FR-PU04	—
Name	Brake sequence error			
Description	<ul style="list-style-type: none"> • The inverter output is stopped when a sequence error occurs during use of the brake sequence function (Pr. 278 to Pr. 285). • If (detected frequency) - (output frequency) has become less than Pr. 285 during encoder feedback or orientation control selected with the FR-A5AP, E.MB1 occurs and the inverter output is stopped. 			
Check point	Find the cause of alarm occurrence.			
Corrective action	Perform parameter setting check and wiring properly.			
Operation Panel Indication	E.0SD	E.0SD	FR-PU04	Excessive speed deflection
Name	Excessive speed deviation detection			
Description	The inverter output is stopped if the motor speed is increased or decreased due to load, etc. and the motor speed cannot be controlled to meet the speed command value during vector control executed with the FR-A5AP.			
Check point	Check for sudden load change.			
Corrective action	Take action to avoid sudden load change.			

Operation Panel Indication	E.ECT	E.ECT	FR-PU04	No encoder signal
Name	Wire break detection			
Description	The inverter output is stopped if the encoder signal is turned off during orientation, encoder feedback or vector control executed with the FR-A5AP.			
Check point	Check for encoder signal wire break.			
Corrective action	Repair wire break.			

(2) Minor fault

When the protective function is activated, the output is not shut off. You can make parameter setting to output the minor fault signal. (Set "98" in any of Pr. 190 to Pr. 195 (output terminal function selection). Refer to page 162)

Operation Panel Indication	FN	F_n	FR-PU04	Fan fault
Name	Fan fault			
Description	For the inverter, which contains a cooling fan, FN appears on the operation panel when the cooling fan stops due to a fault or operates differently from the setting of Pr. 244 "cooling fan operation selection".			
Check point	Check the cooling fan for a fault.			
Corrective action	Replace the fan.			



(3) Warnings

Operation Panel Indication	OL	OL	FR-PU04	OL
Name	Stall prevention (Over current)			
Description	During acceleration	If a current of more than 150% (Note 5) of the rated inverter current flows in the motor, this function stops the increase in frequency until the overload current reduces to prevent the inverter from resulting in overcurrent shut-off. When the overload current has reduced below 150%, this function increases the frequency again.		
	During constant-speed operation	If a current of more than 150% (Note 5) of the rated inverter current flows in the motor, this function lowers the frequency until the overload current reduces to prevent overcurrent shut-off. When the overload current has reduced below 150%, this function increases the frequency up to the set value.		
	During deceleration	If a current of more than 150% (Note 5) of the rated inverter current flows in the motor, this function stops the decrease in frequency until the overload current reduces to prevent the inverter from resulting in overcurrent shut-off. When the overload current has reduced below 150%, this function decreases the frequency again.		
Check point	Check the motor for use under overload.			
Corrective action	The acceleration time may change. Increase the stall prevention operation level using Pr. 22 "stall prevention operation level" or make the stall prevention inoperative using Pr. 156 "stall prevention operation selection".			

Note: 5. The stall prevention operation current may be set as desired. It is factory-set to 150%.

PROTECTIVE FUNCTIONS

Operation Panel Indication	oL	oL	FR-PU04	oL
Name	Stall prevention (overvoltage)			
Description	During deceleration	If the regenerative energy of the motor increases too much to exceed the brake capability, this function stops the decrease in frequency to prevent overvoltage shut-off. As soon as the regenerative energy has reduced, deceleration resumes.		
Check point	Check for sudden speed reduction.			
Corrective action	The deceleration time may change. Increase the deceleration time using Pr. 8 "deceleration time".			

Operation Panel Indication	PS	PS	FR-PU04	PS
Name	PU stop			
Description	A stop made by pressing the  key of the PU has been set in Pr. 75 "PU stop selection".			
Check point	Check for a stop made by pressing the  key of the operation panel.			
Corrective action	Refer to page 108.			

Operation Panel Indication	RB	rb	FR-PU04	RB
Name	Regenerative brake prealarm			
Description	This alarm appears if the regenerative brake duty reaches 85% of the value set in Pr. 70 "special regenerative brake duty". Regenerative overvoltage (E.OV_) occurs if the regenerative brake duty reaches 100%.			
Check point	Check that the brake resistor is not used frequently.			
Corrective action	Increase the deceleration time.			

Operation Panel Indication	TH	TH	FR-PU04	TH
Name	Electronic overcurrent protection prealarm			
Description	This alarm appears if the cumulative value of the electronic overcurrent protection reaches 85% of the preset level. If it reaches 100% of the preset level, motor overload shutoff (E.THM) occurs.			
Check point	Check for large load or sudden acceleration.			
Corrective action	Reduce the load volume or the frequency of operation.			

Operation Panel Indication	Err.	Err		
Description	This alarm appears if: <ul style="list-style-type: none"> • The RES signal is on. • You attempted to set any parameter value in the external operation mode. • You attempted to change the operation mode during operation. • You attempted to set any parameter value outside its setting range. • Normal communication cannot be made between the PU and inverter. • You attempted to set any parameter value during operation (while signal STF or STR is ON). • You attempted to make parameter setting when Pr. 77 "parameter write disable selection" has been set to disable parameter write. 			
Corrective action	Perform operation correctly.			

5.1.2 To know the operating status at the occurrence of an alarm

When any alarm has occurred, the display automatically switches to the indication of the corresponding protective function (error). By pressing the **MODE** key at this point without resetting the inverter, the display shows the output frequency. In this way, it is possible to know the running frequency at the occurrence of the alarm. This also applies to the current. After resetting, you can confirm the data in the alarm history (refer to page 56).

5.1.3 Correspondences between digital and actual characters

There are the following correspondences between the actual alphanumeric characters and the digital characters displayed on the operation panel:

Actual	Digital	Actual	Digital	Actual	Digital
0	0	A	A	M	n
1	1	B	b	N	n
2	2	C	C	O	0
3	3	D	d	o	o
4	4	E	E	P	P
5	5	F	F	S	S
6	6	G	G	T	T
7	7	H	H	U	U
8	8	I	I	V	V
9	9	J	J	r	r
		L	L	-	-

5.1.4 Alarm code output

By setting Pr. 76 "alarm code output selection", an alarm definition can be output as a 4-bit digital signal. This signal is output from the open collector output terminals equipped as standard on the inverter.

Correlations between alarm definitions and alarm codes are as follows.


Operation Panel Display (FR-DU04)	Output Terminal Signal On-Off				Alarm Code	Alarm Output (across B-C)
	SU	IPF	OL	FU		
E.OC1	0	0	0	1	1	Provided (Open)
E.OC2	0	0	1	0	2	
E.OC3	0	0	1	1	3	
E.OV1	0	1	0	0	4	Provided (Open)
E.OV2						
E.OV3						
E.THM	0	1	0	1	5	Provided (Open)
E.THT	0	1	1	0	6	
E.IPF	0	1	1	1	7	Provided (Open)
E.UVT	1	0	0	0	8	Provided (Open)
E.FIN	1	0	0	1	9	Provided (Open)
E. BE	1	0	1	0	A	Provided (Open)
E. GF	1	0	1	1	B	Provided (Open)
E.OHT	1	1	0	0	C	Provided (Open)
E.OLT	1	1	0	1	D	Not provided (Closed) (Provided when OLT is displayed (Open))
E.OPT	1	1	1	0	E	Provided (Open)
E.OP1 to E.OP3	1	1	1	0	E	Provided (Open)
E. PE	1	1	1	1	F	Provided (Open)
E.PUE						Provided (Open)
E.RET						Provided (Open)
E.LF						Provided (Open)
E.CPU						Provided (Open)
E. 1 to E. 3						Provided (Open)
E. 6						Provided (Open)
E. 7						Provided (Open)
E.ECT						Provided (Open)
E.OSD						Provided (Open)

(Note) 0: Output transistor OFF, 1: Output transistor ON (common terminal SE)
The alarm output assumes that Pr. 195 setting is "99" (factory setting).

5.1.5 Resetting the inverter

The inverter can be reset by performing any of the following operations. Note that the electronic overcurrent protection's internal heat calculation value and the number of retries are cleared (erased) by resetting the inverter.

It takes about 1s from when reset is canceled until operation is restored.

Operation 1: Using the operation panel (FR-DU04), press the  key to reset the inverter.

Operation 2: Switch power off once, then switch it on again.

Operation 3: Switch on the reset signal (RES).

5.2 Troubleshooting

POINT: Check the corresponding areas. If the cause is still unknown, it is recommended to initialize the parameters (return to factory settings), re-set the required parameter values, and check again.

5.2.1 Motor remains stopped

1) Check the main circuit

- Check that a proper power supply voltage is applied (operation panel display is provided).
- Check that the motor is connected properly.
- Check that the conductor across P-P1 is connected.

2) Check the input signals

- Check that the start signal is input.
- Check that both the forward and reverse rotation start signals are not input.
- Check that the frequency setting signal is not zero.
- Check that the AU signal is on when the frequency setting signal is 4 to 20mA.
- Check that the output stop signal (MRS) or reset signal (RES) is not on.
- Check that the CS signal is not off when automatic restart after instantaneous power failure is selected (Pr. 57 = other than "9999").
- Check that the sink/source jumper connector is fitted securely.

3) Check the parameter settings

- Check that the reverse rotation prevention (Pr. 78) is not selected.
- Check that the operation mode (Pr. 79) setting is correct.
- Check that the bias and gain (Pr. 902 to Pr. 905) settings are correct.
- Check that the starting frequency (Pr. 13) setting is not greater than the running frequency.
- Check that various operational functions (such as three-speed operation), especially the maximum frequency (Pr. 1), are not zero.

4) Check the load

- Check that the load is not too heavy.
- Check that the shaft is not locked.

5) Others

- Check that the ALARM lamp is not lit.
- Check that the Pr. 15 "jog frequency" setting is not lower than the Pr. 13 "starting frequency" value.

5.2.2 Motor rotates in opposite direction

- Check that the phase sequence of output terminals U, V and W is correct.
- Check that the start signals (forward rotation, reverse rotation) are connected properly.

5.2.3 Speed greatly differs from the setting

- Check that the frequency setting signal is correct. (Measure the input signal level.)
- Check that the following parameter settings are proper: Pr. 1, Pr. 2, Pr. 19, Pr. 902 to Pr. 905.
- Check that the input signal lines are not affected by external noise. (Use shielded cables)
- Check that the load is not too heavy.

5.2.4 Acceleration/deceleration is not smooth

- Check that the acceleration and deceleration time settings are not too short.
- Check that the load is not too heavy.
- Check that the torque boost (Pr. 0, Pr. 46, Pr. 112) setting is not too large to activate the stall function.

5.2.5 Motor current is large

- Check that the load is not too heavy.
- Check that the torque boost (Pr. 0, Pr. 46, Pr. 112) setting is not too large.
- Check that the set value of the load pattern selection (Pr. 14) is proper for the application.

5.2.6 Speed does not increase

- Check that the maximum frequency (Pr. 1) setting is correct.
- Check that the load is not too heavy. (In agitators, etc., load may become heavy in winter.)
- Check that the torque boost (Pr. 0, Pr. 46, Pr. 112) setting is not too large to activate the stall prevention function.
- Check that the brake resistor is not connected to terminals P-P1 by mistake.

5.2.7 Speed varies during operation

During operation under advanced magnetic flux vector control, the output frequency varies with load fluctuation between 0 and 2Hz. This is a normal operation and is not a fault.

1) Inspection of load

- Check that the load is not varying.

2) Inspection of input signal

- Check that the frequency setting signal is not varying.
- Check that the frequency setting signal is not affected by induced noise.
- Check that a malfunction does not occur due to an undesirable current when the transistor output unit is connected, for example. (Refer to page 21.)

3) Others

- Check that the settings of the applied motor capacity (Pr. 80) and the number of applied motor poles (Pr. 81) are correct for the inverter and motor capacities in advanced magnetic flux vector control.
- Check that the wiring length is within 30m in advanced magnetic flux vector control.
- Check that the wiring length is correct in V/F control.

5.2.8 Operation mode is not changed properly

If the operation mode is not changed properly, check the following:

- 1) External input signal Check that the STF or STR signal is off.
When it is on, the operation mode cannot be changed.

- 2) Parameter setting Check the Pr. 79 setting.
When the setting of Pr. 79 "operation mode selection" is "0" (factory setting), switching input power on places the inverter in the external operation mode. Press the operation panel's **MODE** key two times and press the **▲** key (press the **PU** key for the parameter unit (FR-PU04)). This changes the external operation mode into the PU operation mode. For any other setting (1 to 8), the operation mode is limited according to the setting.

5.2.9 Operation panel (FR-DU04) display is not provided

- Make sure that the operation panel is connected securely with the inverter.

5.2.10 POWER lamp is not lit

- Make sure that the wiring and installation are correct.

5.2.11 Parameter write cannot be performed

- Check that operation is not being performed (signal STF or STR is not ON).
- Check that the **SET** key (**WRITE** key) is pressed for longer than 1.5 s.
- Check that you are not attempting to make parameter setting outside the setting range.
- Check that you are not attempting to make parameter setting in the external operation mode.
- Check the setting of Pr. 77 "parameter write disable selection".

CHAPTER 6

PRECAUTIONS FOR MAINTENANCE AND INSPECTION

This chapter provides the "precautions for maintenance and inspection" of this product. Always read the instructions and other information before using the equipment.

6.1 Precautions for maintenance and inspection210

Chapter 1

Chapter 2

Chapter 3

Chapter 4

Chapter 5

Chapter 6

Chapter 7

Chapter 8

6.1 Precautions for maintenance and inspection

The transistorized inverter is a static unit mainly consisting of semiconductor devices. Daily inspection must be performed to prevent any fault from occurring due to adverse influence by the operating environment, such as temperature, humidity, dust, dirt and vibration, changes in the parts with time, service life, and other factors.

6.1.1 Precautions for maintenance and inspection

For some short time after the power is switched off, a high voltage remains in the smoothing capacitor. When accessing the inverter for inspection, switch power off. When more than 10 minutes have elapsed, make sure that the voltage across the main circuit terminals P-N of the inverter is 30VDC or less using a tester, etc.

6.1.2 Check items

(1) Daily inspections

- Check the following:
 - 1) Motor operation fault
 - 2) Improper installation environment
 - 3) Cooling system fault
 - 4) Unusual vibration and noise
 - 5) Unusual overheating and discoloration
- During operation, check the inverter input voltages using a tester.

(2) Cleaning

Always run the inverter in a clean state.

When cleaning the inverter, gently wipe dirty areas with a soft cloth immersed in neutral detergent or ethanol.

Note: Do not use solvent, such as acetone, benzene, toluene and alcohol, as they will cause the inverter surface paint to peel off.

Do not use detergent or alcohol to clean the display and other sections of the operation panel (FR-DU04) or parameter unit (FR-PU04) as these sections may deform.

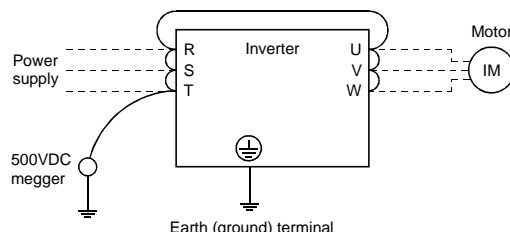
6.1.3 Periodic inspection

Check the areas inaccessible during operation and requiring periodic inspection. For periodic inspection, consult us.

- 1) Cooling system fault : Clean the air filter, etc.
- 2) Tightening check and retightening : The screws and bolts may become loose due to vibration, temperature changes, etc. Check and tighten them. Tighten them according to the specified tightening torque.
- 3) Check the conductors and insulating materials for corrosion and damage.
- 4) Measure insulation resistance.
- 5) Check and change the cooling fan and relay.

6.1.4 Insulation resistance test using megger

- 1) Before performing the insulation resistance test using a megger on the external circuit, disconnect the cables from all terminals of the inverter so that the test voltage is not applied to the inverter.
- 2) For the continuity test of the control circuit, use a meter (high resistance range) and do not use the megger or buzzer.
- 3) For the inverter, conduct the insulation resistance test on the main circuit only as shown below and do not perform the test on the control circuit. (Use a 500VDC megger.)



6.1.5 Pressure test

Do not conduct a pressure test. The inverter's main circuit uses semiconductors, which may be deteriorated if a pressure test is made.

6.1.6 Daily and periodic inspection

Area of Inspection	Inspection Item	Description	Interval			Method	Criterion	Instrument	Customers check
			Daily	Periodic					
				1 year	2 year				
General	Surrounding environment	Check ambient temperature, humidity, dust, dirt, etc.	○			(Refer to page 10)	Ambient temperature: (constant torque) -10°C to +50°C, non-freezing. (Variable torque) -10°C to +40°C, non-freezing Ambient humidity: 90% or less, non-condensing.	Thermometer, hygrometer, recorder	
	Overall unit	Check for unusual vibration and noise.	○			Visual and auditory checks.	No fault.		
	Power supply voltage	Check that the main circuit voltages are normal.	○			Measure voltages across the inverter terminal block R-S-T phases.	Within permissible AC voltage fluctuation (Refer to page 220.)	Tester, digital multimeter	
Main circuit	General	(1) Check with megger (across main circuit terminals and earth (ground) terminal). (2) Check for loose screws and bolts. (3) Check for overheat traces on the parts. (4) Clean.		○	○	(1) Disconnect all cables from the inverter and measure across terminals R, S, T, V, W and earth (ground) terminal with megger. (2) Re-tighten. (3) Visual check.	(1) 5M Ω or more. (2), (3) No fault.	500VDC class megger	
	Conductors, cables	(1) Check conductors for distortion. (2) Check cable sheaths for breakage.		○	○	(1), (2) Visual check.	(1), (2) No fault.		
	Terminal block	Check for damage.		○		Visual check.	No fault		

Area of Inspection	Inspection Item	Description	Interval			Method	Criterion	Instrument	Customers check
			Daily	Periodic					
				1 year	2 year				
Main circuit	Inverter module, Converter module	Check resistance across terminals.			○	Disconnect all cables from the inverter and measure across terminals R, S, T, P, N and U, V, W, P, N with a meter range of 100Ω.	(Refer to page 213)	Analog tester	
	Relay	(1) Check for chatter during operation. (2) Check for rough surface on contacts.		○	○	(1) Auditory check. (2) Visual check.	(1) No fault. (2) No fault.		
	Resistor	(1) Check for crack in resistor insulation. (2) Check for open cable.		○	○	(1) Visual check. Cement resistor, wire-wound resistor. (2) Disconnect one end and measure with a meter.	(1) No fault. (2) Error should be within ±10% of indicated resistance value.	Meter, digital multimeter	
Control circuit Protective circuit	Operation check	(1) Check balance of output voltages across phases with inverter operated alone. (2) Perform sequence protective operation test to ensure no fault in protective and display circuits.		○	○	(1) Measure voltage across inverter output terminals U-V-W. (2) Simulatively short or open the protective circuit output terminals of the inverter.	(1) Phase-to-phase voltage balance within 4V (8V) for 200V (400V). (2) Fault must occur because of sequence.	Digital multimeter, rectifier type voltmeter	
Cooling system	Cooling fan	(1) Check for unusual vibration and noise. (2) Check for loose connection.	○		○	(1) Turn by hand with power off. (2) Visual check.	No unusual vibration, unusual noise.		
Display	Display	(1) Check for LED lamp blown. (2) Clean.	○		○	(1) Lamps indicate indicator lamps on panel. (2) Clean with rag.	(1) Check that lamps are lit.		
	Meter	Check that reading is normal.	○			Check the readings of meters on the panel.	Must satisfy specified and management values.	Voltmeter, ammeter, etc.	
Motor	General	(1) Check for unusual vibration and noise. (2) Check for unusual odor.	○		○	(1) Auditory, sensory, visual checks. (2) Check for unusual odor due to overheating, damage, etc.	(1), (2) No fault.		
	Insulation resistance	(1) Check with megger (across terminals and earth (ground) terminal).			○	(1) Disconnect cables from U, V, W, including motor cables.	(1) 5M Ω or more	500V megger	

Note: Values in parentheses indicate those for 400V class.

*Consult us for periodic inspection.

● Checking the inverter and converter modules

<Preparation>

- (1) Disconnect the external power supply cables (R, S, T) and motor cables (U, V, W).
- (2) Prepare a tester. (Use 100Ω range.)

<Checking method>

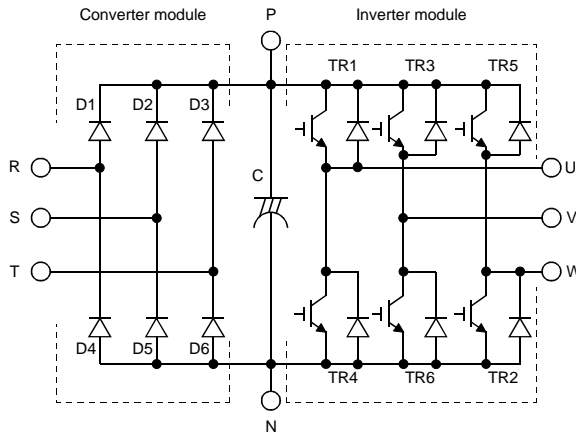
Change the polarity of the tester alternately at the inverter terminals R, S, T, U, V, W, P and N, and check for continuity.

Note: 1. Before measurement, check that the smoothing capacitor is discharged.
 2. At the time of discontinuity, due to the smoothing capacitor, the tester may not indicate ∞. At the time of continuity, the measured value is several to several ten's-of ohms depending on the module type, circuit tester type, etc. If all measured values are almost the same, the modules are without fault.

<Module device numbers and terminals to be checked>

		Tester Polarity		Measured Value			Tester Polarity		Measured Value
		⊕	⊖				⊕	⊖	
Converter module	D1	R	P	Discontinuity	D4	R	N	Continuity	
		P	R	Continuity		N	R	Discontinuity	
	D2	S	P	Discontinuity	D5	S	N	Continuity	
		P	S	Continuity		N	S	Discontinuity	
	D3	T	P	Discontinuity	D6	T	N	Continuity	
		P	T	Continuity		N	T	Discontinuity	
Inverter module	TR1	U	P	Discontinuity	TR4	U	N	Continuity	
		P	U	Continuity		N	U	Discontinuity	
	TR3	V	P	Discontinuity	TR6	V	N	Continuity	
		P	V	Continuity		N	V	Discontinuity	
	TR5	W	P	Discontinuity	TR2	W	N	Continuity	
		P	W	Continuity		N	W	Discontinuity	

(Assumes the use of an analog meter.)



6.1.7 Replacement of parts

The inverter consists of many electronic parts such as semiconductor devices.

The following parts may deteriorate with age because of their structures or physical characteristics, leading to reduced performance or fault of the inverter. For preventive maintenance, the parts must be replaced periodically.

The part replacement guidelines for the inverter are indicated in the following table. Lamps and other short-life parts must also be changed during periodic inspection.

Replacement Parts of the Inverter

Part Name	Standard Replacement Interval	Description
Cooling fan	2 to 3 years	Replace (as required)
Main circuit smoothing capacitor	10 years	Replace (as required)
On-board smoothing capacitor	10 years	Replace the board (as required)
Relays	—	Replace as required

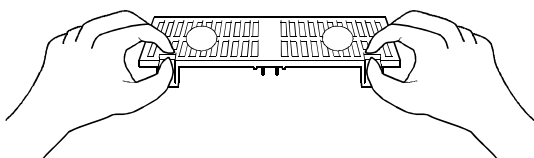
Note: For part replacement, contact the nearest Mitsubishi FA center.

(1) Cooling fan

The cooling fan is used to cool heat-generating parts such as the main circuit semiconductors. The life of the cooling fan bearing is usually 10,000 to 35,000 hours. Hence, the cooling fan must be replaced every 2 to 3 years if the inverter is run continuously. When unusual noise and/or vibration is noticed during inspection, the cooling fan must be changed immediately.

● **Removal**

- 1) Push the hooks from above and remove the fan cover.



- 2) Disconnect the fan connector(s).
- 3) Remove the fan.

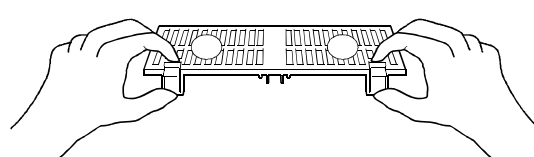
● **Reinstallation**

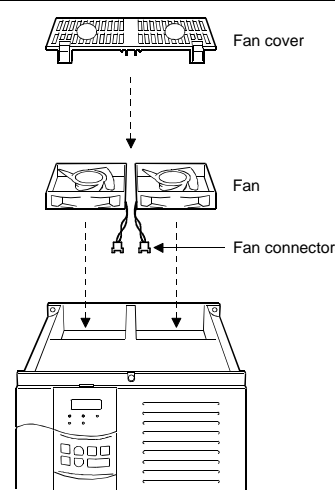
- 1) After confirming the orientation of the fan, reinstall the fan so that the arrow on the left of "AIR FLOW" faces up.

↑ AIR FLOW

<Fan side face>

- 2) Reconnect the fan connectors.
When wiring, use care to avoid the cables being caught by the fan.
- 3) Reinstall the fan cover.





<Example: FR-A520-5.5K>

(2) Smoothing capacitors

A large-capacity aluminum electrolytic capacitor is used for smoothing in the main circuit DC section, and an aluminum electrolytic capacitor is also used for stabilizing the control power in the control circuit. Their characteristics are deteriorated by the adverse effects of ripple currents, etc. The replacement intervals greatly vary with the ambient temperature and operating conditions. When the inverter is operated in air-conditioned, normal environment conditions, replace the capacitors about every 10 years.

The appearance criteria for inspection are as follows:

- 1) Case : the side and bottom faces for expansion
- 2) Sealing plate : check for remarkable warp and extreme crack
- 3) Explosion-proof valve (for excessive valve expansion and operation)
- 4) Check for external crack, discoloration, fluid leakage, etc. Judge that the capacitor has reached its life when the measured capacitance of the capacitor reduced below 80% of the rating.

The capacitor life alarm is output to give an indication of replacement time. (Refer to page 186.)

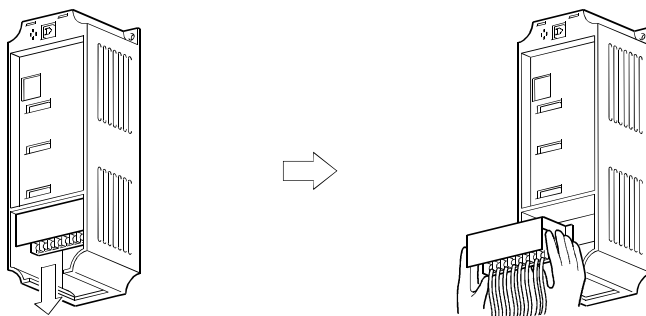
(3) Relays

To prevent a contact fault, etc. relays must be replaced according to the cumulative number of switching times (switching life).

6.1.8 Inverter replacement

The inverter can be replaced with the control circuit wiring kept connected. Before replacement, remove the screws in the wiring cover of the inverter.

- 1) Remove the mounting screws in both ends of the control circuit terminal block.
- 2) Pull down the terminal block from the back of the control circuit terminals.



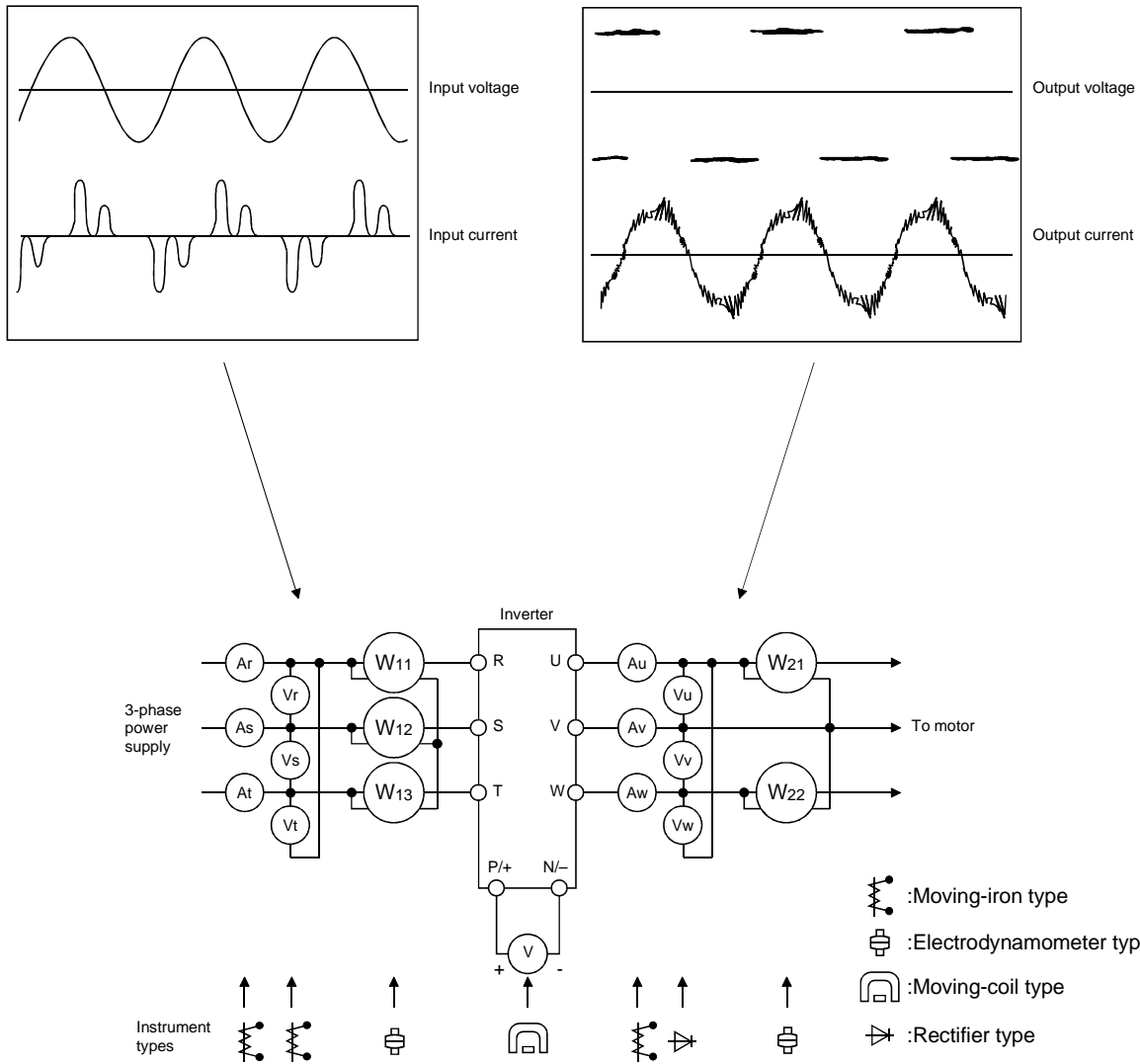
- 3) When installing the terminal block to a new inverter, exercise care not to bend the pins of the control circuit terminal block connector.

6.1.9 Measurement of main circuit voltages, currents and powers

● Measurement of main circuit voltages, currents and powers

Since the voltages and currents on the inverter power supply and output sides include harmonics, measurement data depends on the instruments used and circuits measured.

When instruments for commercial frequency are used for measurement, measure the following circuits with the instruments given on the next page.



Example of Measuring Points and Instruments

Note: Use an FFT to measure the output voltage accurately. A tester or general measuring instrument cannot measure accurately.

Measuring Points and Instruments

Item	Measuring Point	Measuring Instrument	Remarks (Reference Measured Value) *	
Power supply voltage V ₁	Across R-S, S-T and T-R	Moving-iron type AC voltmeter	Commercial power supply Within permissible AC voltage fluctuation (Refer to page 220)	
Power supply side current I ₁	R, S and T line currents	Moving-iron type AC ammeter		
Power supply side power P ₁	At R, S and T, and across R-S, S-T and T-R	Electrodynamic type single-phase wattmeter	P ₁ = W ₁₁ + W ₁₂ + W ₁₃ (3-wattmeter method)	
Power supply side power factor Pf ₁	Calculate after measuring power supply voltage, power supply side current and power supply side power. $Pf_1 = \frac{P_1}{\sqrt{3} V_1 \times I_1} \times 100\%$			
Output side voltage V ₂	Across U-V, V-W and W-U	Rectifier type AC voltmeter (Note 1) (Not moving-iron type)	Difference between phases is within ±1% of maximum output voltage.	
Output side current I ₂	U, V and W line currents	Moving-iron type AC ammeter (Note 3)	Current should be equal to or less than rated inverter current. Difference between phases is 10% or lower.	
Output side power P ₂	At U, V and W, and across U-V and V-W	Electrodynamic type single-phase wattmeter	P ₂ = W ₂₁ + W ₂₂ 2-wattmeter method (or 3-wattmeter method)	
Output side power factor Pf ₂	Calculate in similar manner to power supply side power factor. $Pf_2 = \frac{P_2}{\sqrt{3} V_2 \times I_2} \times 100\%$			
Converter output	Across P-N	Moving-coil type (such as tester)	POWER lamp lit 1.35 × V ₁ Maximum 380V (760V) during regenerative operation	
Frequency setting signal	Across 2 (+) -5	Moving-coil type (Tester, etc. may be used) (Internal resistance: 50kΩ or larger)	0 to 5V/0 to 10VDC	"5" is common.
	Across 1 (+) -5		0 to ±5V/0 to ±10VDC	
Across 4 (+) -5	4 to 20mADC			
Frequency setting power supply	Across 10 (+) -5		5VDC	
	Across 10E (+) -5		10VDC	
Frequency meter signal	Across FM (+) -SD	Moving-coil type (Tester, etc. may be used) (Internal resistance: 50kΩ or larger)	Approximately 5VDC at maximum frequency (without frequency meter)	SD is common.
	Across AM (+) -5		Approximately 10VDC at maximum frequency (without frequency meter)	
Start signal	Across STF, STR, RH, RM, RL, JOG, RT, AU, STOP, CS (+) -SD	Moving-coil type (such as tester)	20 to 30VDC when open. ON voltage: 1V or less	
Select signal				
Reset	Across RES (+) -SD			
Output stop	Across MRS (+) -SD			
Alarm signal	Across A-C Across B-C	Moving-coil type (such as tester)	Continuity check (Note 2) <At OFF> <At ON> Across A-C: Discontinuity Continuity Across B-C: Continuity Discontinuity	

Note: 1. A tester cannot measure accurately.
 2. When Pr. 195 "A, B, C terminal function selection" setting is positive logic.
 3. When the carrier frequency exceeds 5kHz, do not use the instrument since using it may increase eddy-current losses produced in metal parts inside the instrument, leading to burnout.
 In this case, use an approximate effective value type instrument.

* Values in parentheses indicate those for 400V class.



MEMO

CHAPTER 7 SPECIFICATIONS

This chapter provides the "specifications" of this product. Always read the instructions and other information before using the equipment.

7.1 Standard Specifications.....220

Chapter 1

Chapter 2

Chapter 3

Chapter 4

Chapter 5

Chapter 6

Chapter 7

Chapter 8

7.1 Standard Specifications

7.1.1 Model specifications

● **200V class**

Type FR-A520-□□K		0.4	0.75	1.5	2.2	3.7	5.5	7.5	11	15	18.5	22	30	37	45	55	
Applicable motor capacity (Note 1)	kW	0.4	0.75	1.5	2.2	3.7	5.5	7.5	11	15	18.5	22	30	37	45	55	
Output	Rated capacity (kVA) (Note 2)	1.1	1.9	3.1	4.2	6.7	9.2	12.6	17.6	23.3	29	34	44	55	67	82	
	Rated current (A)	3	5	8	11	17.5	24	33	46	61	76	90	115	145	175	215	
	Overload current capacity (Note 3)	150% 60s, 200% 0.5s (inverse-time characteristics)															
	Voltage (Note 4)	Three-phase, 200 to 220V 50Hz, 200 to 240V 60Hz											Three-phase, 200 to 220V 50Hz, 200 to 230V 60Hz				
	Regenerative braking torque	Maximum value /Permissible duty	15% torque/3%ED (Note 5)			100% torque/3%ED (Note 5)			100% torque/2%ED (Note 5)			20% torque/continuous					
Power supply	Rated input AC voltage, frequency	Three-phase, 200V to 220V 50Hz, 200 to 240V 60Hz											Three-phase, 200 to 220V 50Hz, 200 to 230V 60Hz				
	Permissible AC voltage fluctuation	170 to 242V 50Hz, 170 to 264V 60Hz											170 to 242V 50Hz, 170 to 253V 60Hz				
	Permissible frequency fluctuation	±5%															
	Power supply system capacity (kVA) (Note 6)	1.5	2.5	4.5	5.5	9	12	17	20	28	34	41	52	66	80	100	
Protective structure (JEM 1030)	Enclosed type (IP20) (Note 7)											Open type (IP00)					
Cooling system	Self-cooling			Forced air cooling													
Approx. weight (kg), with DU	2.0	2.5	3.5	3.5	3.5	6.0	6.0	8.0	13.0	13.0	13.0	30.0	40.0	40.0	55.0		

Note: 1. The applicable motor capacity indicated is the maximum capacity applicable for use of the Mitsubishi 4-pole standard motor.

2. The rated output capacity indicated assumes that the output voltage is 220V for 200V class and 440V for 400V class.

3. The % value of the the overload capacity indicates the ratio of the overload current to the inverter's rated output current. For repeated duty, allow time for the inverter and motor to return to or below the temperatures under 100% load.

4. The maximum output voltage does not exceed the power supply voltage. You can set the maximum output voltage to any value below the power supply voltage. However, the pulse voltage value of the inverter output side voltage remains unchanged at about $\sqrt{2}$ that of the power supply.

5. Short duration rating 5s

6. The power supply capacity varies with the value of the power supply side inverter impedance (including those of the input reactor and cables).

7. The open type (IP00) is used when the plug-in option is fitted after removal of the option wiring port cover.

● **400V class**

Type FR-A540-□□K		0.4	0.75	1.5	2.2	3.7	5.5	7.5	11	15	18.5	22	30	37	45	55
Applicable motor capacity (Note 1)	kW	0.4	0.75	1.5	2.2	3.7	5.5	7.5	11	15	18.5	22	30	37	45	55
Output	Rated capacity (kVA) (Note 2)	1.1	1.9	3	4.6	6.9	9.1	13	17.5	23.6	29	32.8	43.4	54	65	84
	Rated current (A)	1.5	2.5	4	6	9	12	17	23	31	38	43	57	71	86	110
	Overload current capacity (Note 3)	150% 60s, 200% 0.5s (inverse-time characteristics)														
	Voltage (Note 4)	Three-phase, 380 to 480V 50Hz/60Hz														
	Regenerative braking torque	Maximum value /Permissible duty	100% torque/2%ED (Note 5)						20% torque/continuous							
Power supply	Rated input AC voltage, frequency	Three-phase, 380 to 480V 50Hz/60Hz														
	Permissible AC voltage fluctuation	323 to 528V 50Hz/60Hz														
	Permissible frequency fluctuation	±5%														
	Power supply system capacity (kVA) (Note 6)	1.5	2.5	4.5	5.5	9	12	17	20	28	34	41	52	66	80	100
Protective structure (JEM 1030)	Enclosed type (IP20) (Note 7)												Open type (IP00)			
Cooling system	Self-cooling					Forced air cooling										
Approx. weight (kg), with DU	3.5	3.5	3.5	3.5	3.5	6.0	6.0	13.0	13.0	13.0	13.0	24.0	35.0	35.0	36.0	

Note: 1. The applicable motor capacity indicated is the maximum capacity applicable for use of the Mitsubishi 4-pole standard motor.

2. The rated output capacity indicated assumes that the output voltage is 220V for 200V class and 440V for 400V class.

3. The % value of the the overload capacity indicates the ratio of the overload current to the inverter's rated-output current. For repeated duty, allow time for the inverter and motor to return to or below the temperatures under 100% load.

4. The maximum output voltage does not exceed the power supply voltage. You can set the maximum output voltage to any value below the power supply voltage. However, the pulse voltage value of the inverter output side voltage remains unchanged at about $\sqrt{2}$ that of the power supply.

5. Short duration rating 5s

6. The power supply capacity varies with the value of the power supply side inverter impedance (including those of the input reactor and cables).

7. The open type (IP00) is used when the plug-in option is fitted after removal of the option wiring port cover.

7.1.2 Common specifications

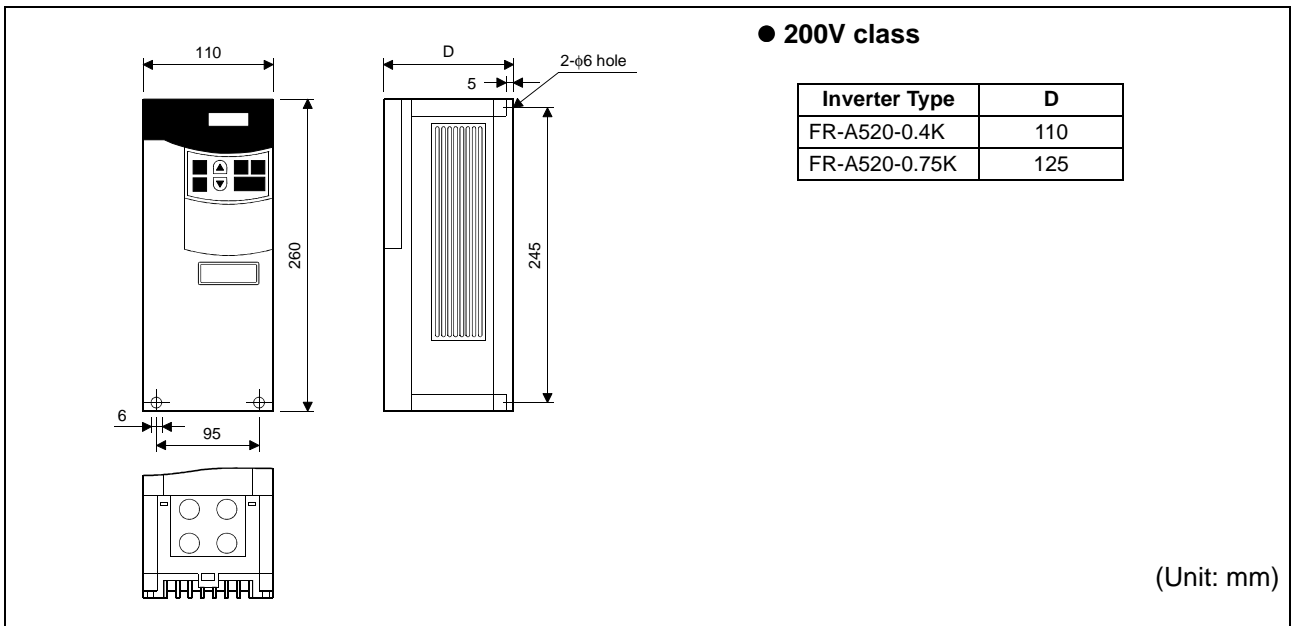
Control specifications	Control system		Selectable between Soft-PWM control and high carrier frequency PWM control (Selectable between V/F control and advanced magnetic flux vector control)
	Output frequency range		0.2 to 400Hz
	Frequency setting resolution	Analog input	0.015Hz/60Hz (terminal 2 input: 12 bits/0 to 10V, 11 bits/0 to 5V, terminal 1 input: 12 bits/-10 to +10V, 11 bits/-5 to +5V)
		Digital input	0.01Hz
	Frequency accuracy		Within $\pm 0.2\%$ of maximum output frequency ($25^{\circ}\text{C} \pm 10^{\circ}\text{C}$ for analog input, within 0.01% of set output frequency for digital input)
	Voltage/frequency characteristic		Base frequency set as required between 0 and 400Hz. Constant torque or variable torque pattern can be selected.
	Starting torque		150%: At 0.5Hz (for advanced magnetic flux vector control)
	Torque boost		Manual torque boost
	Acceleration/deceleration time setting		0 to 3600 s (acceleration and deceleration can be set individually), linear or S-pattern acceleration/deceleration mode can be selected.
	DC injection brake		Operation frequency (0 to 120Hz), operation time (0 to 10 s), operation voltage (0 to 30%) variable
Stall prevention operation level		Operation current level can be set (0 to 200% variable), presence or absence can be selected.	
Operational specifications	Frequency setting signal	Analog input	0 to 5VDC, 0 to 10VDC, 0 to ± 10 VDC, 4 to 20mADC
		Digital input	3-digit BCD or 12-bit binary using operation panel or parameter unit (when the FR-A5AX option is used)
	Start signal		Available individually for forward rotation and reverse rotation. Start signal self-holding input (3-wire input) can be selected.
	Input signals	Multi-speed selection	Up to 15 speeds can be selected. (Each speed can be set between 0 and 400Hz, running speed can be changed during operation from the PU (FR-DU04/FR-PU04).)
		Second, third acceleration/deceleration time selection	0 to 3600s (up to three different accelerations and decelerations can be set individually.)
		Jog operation selection	Provided with jog operation mode select terminal (Note 1)
		Current input selection	Input of frequency setting signal 4 to 20mADC (terminal 4) is selected
		Output stop	Instantaneous shut-off of inverter output (frequency, voltage)
		Alarm reset	Alarm retained at the activation of protective function is reset.
	Operation functions		Maximum/minimum frequency setting, frequency jump operation, external thermal relay input selection, polarity reversible operation, automatic restart operation after instantaneous power failure, commercial power supply-inverter switch-over operation, forward/reverse rotation prevention, slip compensation, operation mode selection, offline auto tuning function, online auto tuning function, PID control, programmed operation, computer link operation (RS-485)
	Output signals	Operating status	5 different signals can be selected from inverter running, up to frequency, instantaneous power failure (undervoltage), frequency detection, second frequency detection, third frequency detection, during program mode operation, during PU operation, overload alarm, regenerative brake pre-alarm, electronic overcurrent protection pre-alarm, zero current detection, output current detection, PID lower limit, PID upper limit, PID forward/reverse rotation, commercial power supply-inverter switch-over MC1, 2, 3, operation ready, brake release request, fan fault and fin overheat pre-alarm minor fault. Open collector output.
		Alarm (inverter trip)	Contact output...1 contact (230VAC 0.3A, 30VDC 0.3A) Open collector...alarm code (4 bit) output
		For meter	1 signal can be selected from output frequency, motor current (steady or peak value), output voltage, frequency setting, running speed, motor torque, converter output voltage (steady or peak value), regenerative brake duty, electronic overcurrent protection load factor, input power, output power, load meter, and motor exciting current. Pulse train output (1440 pulses/s/full scale) and analog output (0 to 10VDC).
Display	PU (FR-DU04/FR-PU04)	Operating status	Selection can be made from output frequency, motor current (steady or peak value), output voltage, frequency setting, running speed, motor torque, overload, converter output voltage (steady or peak value), electronic overcurrent protection load factor, input power, output power, load meter, motor exciting current, cumulative energization time, actual operation time, watt-hour meter, regenerative brake duty and motor load factor.
		Alarm definition	Alarm definition is displayed when protective function is activated. 8 alarm definitions are stored. (Four alarm definitions are only displayed on the operation panel.)
	Additional display on parameter unit (FR-PU04) only	Operating status	Input terminal signal states, output terminal signal states, option fitting status, terminal assignment status
		Alarm definition	Output voltage/current/frequency/cumulative energization time immediately before protective function is activated
		Interactive guidance	Operation guide and troubleshooting by help function

Protective/alarm functions		Overcurrent shut-off (during acceleration, deceleration, constant speed), regenerative overvoltage shut-off, undervoltage, instantaneous power failure, overload shut-off (electronic overcurrent protection), brake transistor alarm (Note 2), earth (ground) fault current, output short circuit, main circuit device overheat, stall prevention, overload alarm, brake resistor overheat protection, heatsink overheat, fan fault, option fault, parameter error, PU disconnection, retry count excess, output phase failure protection, CPU error, 24VDC power output short circuit, operation panel power short circuit
Environment	Ambient temperature	Constant torque: -10°C to +50°C (non-freezing) (-10°C to +40°C for totally enclosed structure specification attachment FR-A5CV) Variable torque: -10°C to +40°C (non-freezing) (-10°C to +30°C for totally enclosed structure specification attachment FR-A5CV)
	Ambient humidity	90%RH or less (non-condensing)
	Storage temperature (Note 3)	-20°C to +65°C
	Ambience	Indoors. (No corrosive and flammable gases, oil mist, dust and dirt.)
	Altitude, vibration	Maximum 1000m above sea level 5.9 m/s ² or less (compliant with JIS C 0040)

- Note: 1. Jog operation may also be performed from the operation panel or parameter unit.
 2. Not provided for the FR-A520-11K to 55K and FR-A540-11K to 55K which do not have a built-in brake circuit.
 3. Temperature applicable for a short period in transit, etc.

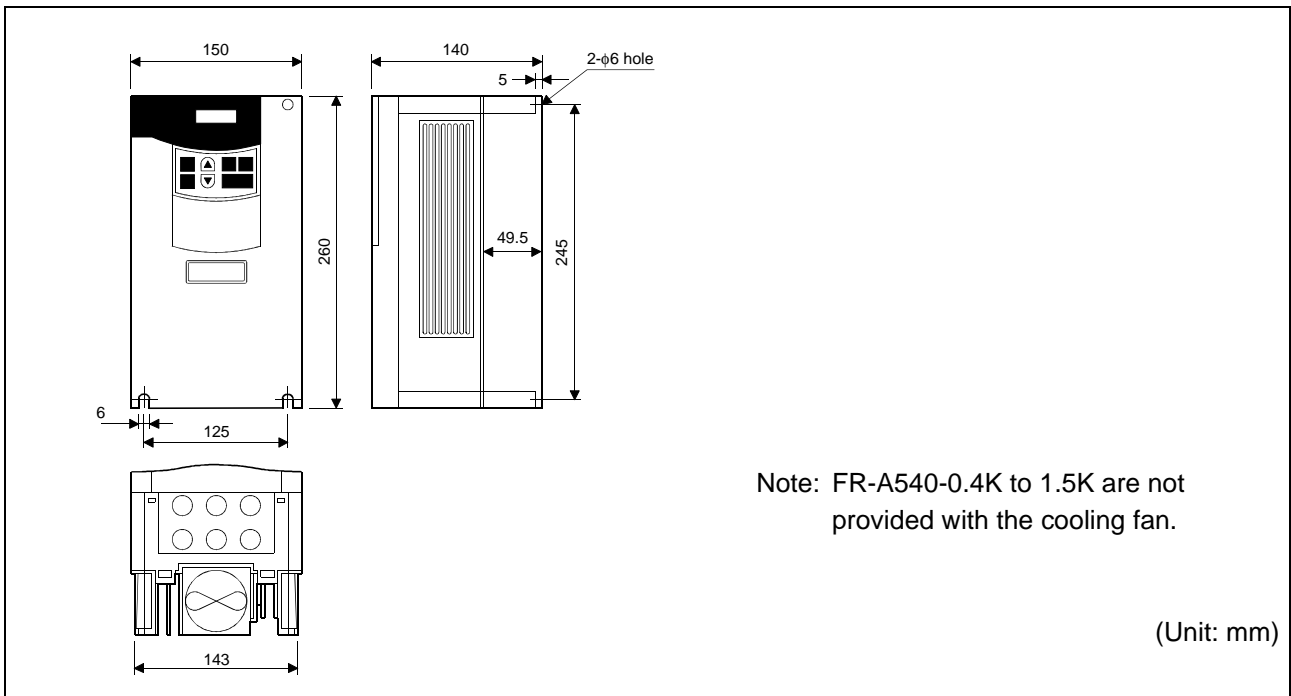
7.1.3 Outline dimension drawings

● **FR-A520-0.4K, 0.75K**



● **FR-A520-1.5K, 2.2K, 3.7K**

● **FR-A540-0.4K, 0.75K, 1.5K, 2.2K, 3.7K**



● **FR-A520-5.5K, 7.5K, 11K**

● **FR-A540-5.5K, 7.5K**

● **200V class**

Inverter Type	H	H1	D	D1
FR-A520-5.5K	260	245	170	84
FR-A520-7.5K	260	245	170	84
FR-A520-11K	300	285	190	101.5

● **400V class**

Inverter Type	H	H1	D	D1
FR-A540-5.5K	260	245	170	84
FR-A540-7.5K	260	245	170	84

(Unit: mm)

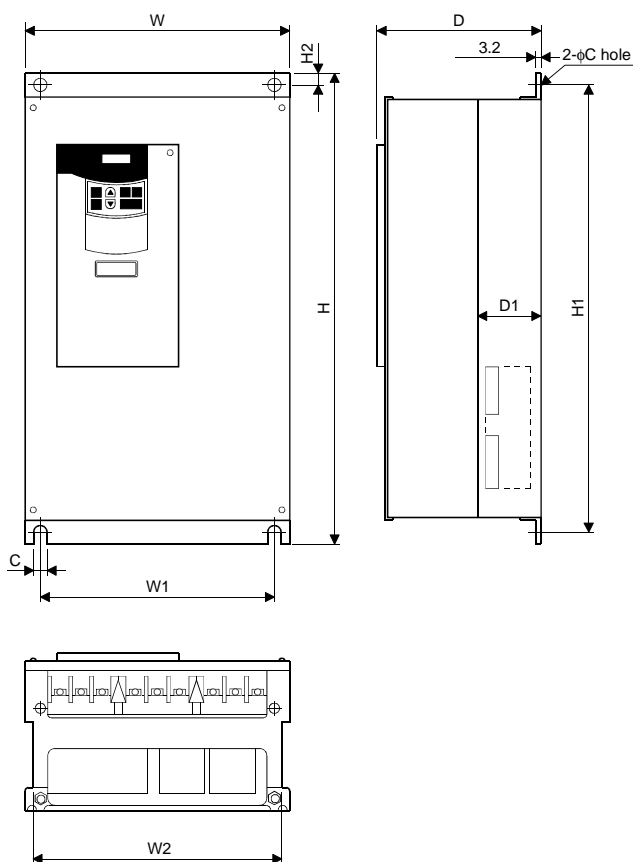
● **FR-A520-15K, 18.5K, 22K**

● **FR-A540-11K, 15K, 18.5K, 22K**

(Unit: mm)

● **FR-A520-30K, 37K, 45K, 55K**

● **FR-A540-30K, 37K, 45K, 55K**



● **200V class**

Inverter Type	W	W1	W2	H	H1	H2	D	D1	C
FR-A520-30K	340	270	320	550	530	10	195	71.5	10
FR-A520-37K	450	380	430	550	525	15	250	154	12
FR-A520-45K	450	380	430	550	525	15	250	154	12
FR-A520-55K	480	410	460	700	675	15	250	154	12

● **400V class**

Inverter Type	W	W1	W2	H	H1	H2	D	D1	C
FR-A540-30K	340	270	320	550	530	10	195	71.5	10
FR-A540-37K	450	380	430	550	525	15	250	154	12
FR-A540-45K	450	380	430	550	525	15	250	154	12
FR-A540-55K	450	380	430	550	525	15	250	154	12

(Unit: mm)



MEMO

CHAPTER 8 OPTIONS

This chapter describes the "options" for use of this product. Always read the instructions and other information before using the equipment.

8.1 Option List230

Chapter 1

Chapter 2

Chapter 3

Chapter 4

Chapter 5

Chapter 6

Chapter 7

Chapter 8

8.1 Option List

8.1.1 Stand-alone options

Name	Type	Application, Specifications, etc.	Applicable Inverter
Parameter unit (8 languages)	FR-PU04	Interactive parameter unit using LCD display (For use in Japanese, English, German, French, Spanish, Italian, Swedish and Finnish)	Common to all models
Parameter unit connection cable	FR-CB2□□	Cable for connection of the operation panel or parameter unit.	
Heatsink outside attachment	FR-A5CN□□	Used to place only the heat generating section of the inverter in the back of the control box.	1.5K to 55K, according to capacity
Totally enclosed structure attachment	FR-A5CV□□	By installing this option, the inverter meets the totally enclosed structure specifications (IP40).	0.4K to 22K, according to capacity
Attachment for conduit connection	FR-A5FN□□	Used to connect a conduit directly.	30K to 55K, according to capacity
FR-A200E series installation interchange attachment	FR-A5AT□□	Mounting plate used to make the mounting dimensions identical to those of the FR-A200<EXCELLENT> series.	0.4K to 55K, according to capacity
EMC Directive compatible noise filter (Note 3)	SF□□	Noise filter conforming to the EMC Directive (EN50081-2)	0.4 to 55K, according to capacity
High-duty brake resistor	FR-ABR-(H)□□ (Note 1)	Used to improve the braking capability of the brake built in the inverter.	0.4K to 7.5K, according to capacity
Surge voltage suppressing filter	FR-ASF-H□□	Suppresses surge voltages on the inverter output side.	0.4 to 55K, according to capacity
Power factor improving DC reactor	FR-BEL-(H)□□ (Note 1)	Used to improve the inverter input power factor (overall power factor about 95%) and cooperate with the power supply.	0.4K to 55K, according to capacity
Power factor improving AC reactor	FR-BAL-(H)□□ (Note 1)	Used to improve the inverter input power factor (overall power factor about 90%) and cooperate with the power supply.	0.4K to 55K, according to capacity
Radio noise filter	FR-BIF-(H)□□ (Note 1)	For radio noise reduction. Leakage current 4mA.	Common to all models
Line noise filter	FR-BSF01	For line noise reduction (applies to small capacities of 3.7kW or less)	
	FR-BLF	For line noise reduction	
BU brake unit	BU-1500 to 15K, H7.5K to H30K	Used to improve the braking capability of the inverter (for high-inertia load or negative load).	According to capacity
Brake unit	FR-BU-15K to 55K, H15K to H55K	Used to improve the braking capability of the inverter (for high-inertia load or negative load). Use the brake unit and resistor unit together.	
Resistor unit	FR-BR-15K to 55K, H15K to H55K		
Power regeneration converter	FR-RC-15K to 55K, H15K to H55K	High-function brake unit which can return motor-generated braking energy to the power supply.	
Power regeneration common converter	FR-CV 7.5K to 30K(-AT), 37K, 55K, H7.5K to H30K(-AT), H37K, H55K (Note 5)	High function unit that can regenerate the braking energy generated by the motor to the power supply in common converter system.	
FR-CV dedicated stand-alone reactor	FR-CVL-7.5K to 55K, H7.5K to H55K	FR-CV dedicated power cooperative reactor.	
High power factor converter	FR-HC7.5K to 55K, H7.5K to H55K	The high power factor converter switches the converter circuit on-off to convert the input current waveform into a sine wave to suppress harmonics considerably. (Used with the standard accessories.)	

Name	Type	Application, Specifications, etc.	Applicable Inverter
Manual controller	FR-AX (Note 4)	For independent operation. With frequency meter, frequency setting potentiometer and start switch.	Common to all models
DC tach. follower	FR-AL (Note 4)	For joint operation using external signals. (0 to 5VDC, 0 to 10VDC) (1.5VA) (Note 2)	
Three speed selector	FR-AT (Note 4)	For three-speed (high, middle, low) switching operation. (1.5VA)	
Motorized speed setter	FR-FK (Note 4)	For remote operation. Allows operation to be controlled from several places. (5VA)	
Ratio setter	FR-FH (Note 4)	For ratio control. Allows ratios to be set to five inverters. (3VA)	
PG follower (Note 4)	FR-FP	For follow-up operation using the signal of a pilot generator (PG). (3VA)	
Master controller (Note 4)	FR-FG	For parallel operation of several (up to 35) inverters. (5VA)	
Soft starter (Note 4)	FR-FC	For soft start and stop. Allows parallel operation and acceleration/ deceleration. (3VA)	
Deviation detector (Note 4)	FR-FD	For synchronous operation. Used with a deviation sensor and synchro. (5VA)	
Preamplifier (Note 4)	FR-FA	Can be used as A/V conversion or operational amplifier. (3VA)	
Pilot generator (Note 4)	QVAH-10	For follow-up operation. 70/35VAC 500Hz (at 2500r/min)	
Deviation sensor (Note 4)	YVGC-500W-NS	For synchronous operation (mechanical deviation detection). Output 90VAC/90°	
Frequency setting potentiometer (Note 4)	WA2W 1kΩ	For frequency setting. Wire-wound type. 2W1KΩ B characteristic.	
Frequency meter (Note 4)	YM206NRI 1mA	Dedicated frequency meter (up to 120Hz scale). Moving-coil DC ammeter.	
Calibration resistor (Note 4)	RV24YN 10kΩ	For calibration of the frequency meter. Carbon-film type. B characteristic.	
Inverter setup software	FR-SW□-SETUP-WE	Supports steps from inverter start-up to maintenance. (FR-SW□-SETUP-WJ is Japanese version.)	

- Note: 1. "H" in the type code indicates 400V class. Power supply specifications of FR series controllers and setters: 200VAC 50Hz, 200V/220VAC 60Hz, 115VAC 60Hz.
- Rated power consumption
 - The intercompatibility attachment (FR-A5AT□□) is required to mount the inverter, with the exception of some models.
 - Options available in Japan only.
 - "AT" in the type code indicates an enclosure inside installation structure model and without "AT" indicates a heatsink outside mounting structure model. For the 37K or more, it can be used in either way by changing its mounting foot position and does not have "AT" in the type code.

8.1.2 Plug-in dedicated options

● Plug-in options

Name		Type	Function
12-bit digital input		FR-A5AX	<ul style="list-style-type: none"> Input interface used to set the inverter frequency accurately using external 3-digit BCD or 12-bit binary-coded digital signals. Gains and offsets can also be adjusted.
Digital output		FR-A5AY	<ul style="list-style-type: none"> Among 26 standard output signals of the inverter, this option outputs any 7 selected signals from open collector output terminals.
Extension analog output			<ul style="list-style-type: none"> Outputs extra 16 signals which can be monitored on the FM and AM terminals such as output frequency, 20mADC or 5V(10V)DC meter can be connected.
Relay output		FR-A5AR	<ul style="list-style-type: none"> Among 26 standard output signals of the inverter, this option outputs any 3 selected signals from relay contact output terminals.
Orientation, encoder output (Note 3)		FR-A5AP	<ul style="list-style-type: none"> Used with a position detector (pulse encoder) installed on a machine tool spindle to stop the spindle in position (orientation control). The motor speed is detected by the pulse encoder and this detection signal is fed back to the inverter to automatically compensate for speed variation. Hence, the motor speed can be kept constant if load variation occurs. The current spindle position and actual motor speed can be monitored on the operation panel or parameter unit.
Pulse train input			<ul style="list-style-type: none"> A pulse train signal can be used to enter the speed command to the inverter.
Communication	Computer link	FR-A5NR	<ul style="list-style-type: none"> Operation/monitoring/parameter change of the inverter can be performed under the control of a user program from a computer, e.g. personal computer or FA controller, connected by a communication cable.
	Relay output		<ul style="list-style-type: none"> Any one output signal can be selected from among the standard output signals of the inverter and output as a relay contact (contactor) signal.
	Profibus DP (Note 3)	FR-A5NP FR-A5NPA	<ul style="list-style-type: none"> Operation/monitoring/parameter change of the inverter can be performed from a computer or PLC.
	DeviceNet™ (Note 4)	FR-A5ND	<ul style="list-style-type: none"> Operation/monitoring/parameter change of the inverter can be performed from a computer or PLC.
	CC-Link (Note 5)	FR-A5NC	<ul style="list-style-type: none"> Operation/monitoring/parameter change of the inverter can be performed from a PLC.
	Modbus Plus (Note 6)	FR-A5NM	<ul style="list-style-type: none"> Operation/monitoring/parameter change of the inverter can be performed from a computer or PLC.

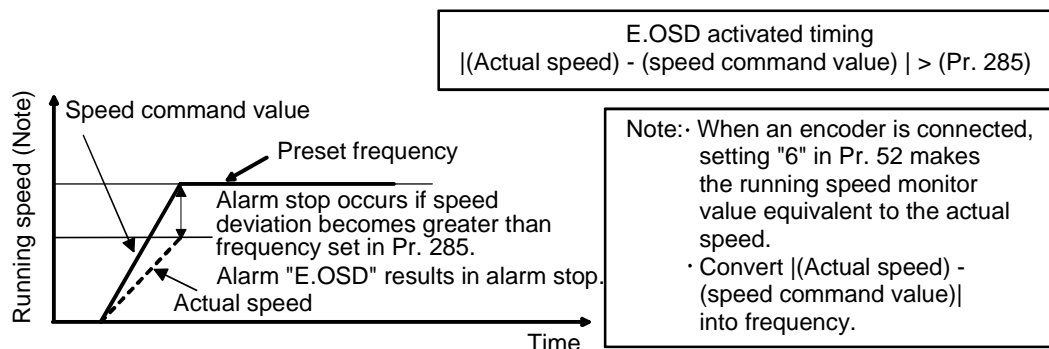
- Note: 1. Three plug-in options may be mounted at the same time (the number of the same options mountable is only one, and only one of the communication options may be mounted.)
2. The FR-A5AX (12-bit digital input) is required separately to input the stop position command externally for orientation control.
3. Profibus is a registered trademark of PROFIBUS User Organization.
4. DeviceNet™ is a registered trademark of ODVA(Open DeviceNet Vender Association, Inc.).
5. CC-Link is a registered trademark of CC-Link Partner Association. CC-Link stands for Control & Communication Link.
6. Modbus plus is a registered trademark of Schneider Electric.

<When used with the FR-A5AP option>

(1) Addition of Pr. 285 "excessive speed deviation detection frequency"

In case the motor speed is increased or decreased due to load, etc. during vector control and can not be controlled to meet the speed command value, alarm stop occurs (E. OSD).

Parameter Number	Name	Setting Range	Minimum Setting Increments	Factory Setting	Description
285	Excessive speed deviation detection frequency	0 to 30Hz, 9999	0.01Hz	9999	9999: Not detected



⚠ CAUTION

⚠ Pr. 285 shares the function with Pr. 285 "overspeed detection frequency" of the inverter's brake sequence function. This function is made valid when vector control is selected in Pr. 370 "control mode selection".

(2) Addition of Pr. 376 "wire break detection selection"

Alarm stop (E.ECT) occurs if the encoder signal's interruption is detected during orientation, encoder feedback or vector control.

Parameter Number	Name	Setting Range	Minimum Setting Increments	Factory Setting	Description
376	Wire break detection selection	0,1	1	0	0: Function invalid 1: Function valid

<When used with communication options >

About the setting values "10 and 12" of Pr. 340 "link startup mode selection"

You can switch operation between the PU operation and network operation when using with the communication option. The inverter starts up in the network operation mode and operation can be switched between the PU operation and network operation from the operation panel (FR-DU04) or parameter unit.

Pr. 340 Setting	Pr. 79(*1)	Operation Mode	Mode at Power On or at Restoration from Instantaneous Power Failure
		0	PU or network operation
10, 12(*2)	1	PU operation	Inverter operates in the PU operation mode.
	2	Network operation	Inverter operates in the network operation mode.
	3	External/PU combined operation	Running frequency is set in the PU operation mode and the start signal is set in the external operation mode.
	4	External/PU combined operation	Running frequency is set in the external operation mode and the start signal is set in the PU operation mode.
	5	Programmed operation	Inverter operates in the programmed operation mode.
	6	Switch-over	Inverter operates in the network operation mode. Operation mode can be switched between the PU operation and the network operation.
	7(*3)	PU operation interlock	X12 signal ON Inverter operates in the external operation mode. (Operation mode can be switched to the PU operation mode by the parameter unit.) X12 signal OFF Inverter operates in the external operation mode.
	8(*3)	Operation mode switch-over by the external signal	X16 signal ON Inverter operates in the external operation mode.
			X16 signal OFF Inverter operates in the PU operation mode.

*1 Refer to page 106 for Pr. 72 "operation mode selection."

*2 Pr. 340="12"

When values other than "9999" are set in Pr. 57 (with restart) and a start command is given from network, a start command at powering off (including instantaneous power failure and power failure) is stored. Therefore, the inverter will resume the same operation state in the network operation mode which was in before powering off when powering on (power restoration) next time.

*3 When Pr. 79 = "7 or 8", the inverter operates in the same manner as when Pr. 340 = "0". (The inverter will not operate in the network operation mode at powering on.)

When Pr.340="10 or 12" and Pr.79="0 or 6", operation can be switched between the PU operation and network operation from the operation panel (FR-DU04) or parameter unit (FR-PU04).

- FR-DU04

Shifts to the PU operation mode when **PU** is displayed on the operation mode switching menu and shifts to the network operation when **OPNd** is displayed.

- FR-PU04

Shifts to the PU operation mode when the **PU** key is pressed and to the network operation mode when the **EXT** key is pressed.

Note: 1. Change of the Pr. 340 setting is made valid when powering on or resetting the inverter.
 2. When copying parameters to the inverter which is not available with Pr.340="10, 12", the inverter operates in the same manner as when Pr. 340 = "0".
 For Pr. 340="0, 1, 2", refer to the instruction manual of each communication option.

<When used with communication options >

Operation at a communication error occurrence (when a communication option is connected)

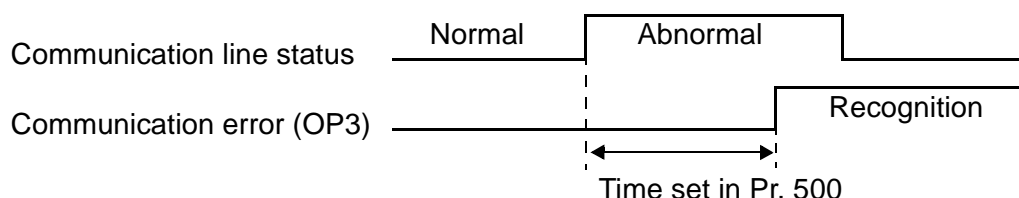
You can select operation at a communication error occurrence by setting Pr. 500 to Pr. 502 during network operation with a communication option. (not available with the FR-A5NM, FR-A5NP, and FR-A5NR (communication options).)

(1) Operation selection at a communication error occurrence

1) Pr. 500 "communication error recognition waiting time

You can set the waiting time from when a communication line fault occurs until it is recognized as a communication error.

Parameter Number	Setting Range	Minimum Setting Increments	Factory Setting
500	0 to 999.8s	0.1s	0



The communication line fault which still persists after the time set in Pr. 500 has elapsed is recognized as a communication error.

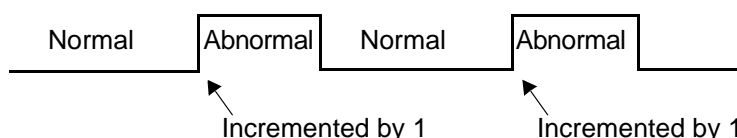
When the fault is restored to normal communication within the set time, it is not regarded as a communication error and operation continues.

2) Pr. 501 "communication error occurrence count display"

The cumulative number of communication error occurrences can be indicated. Write 0 to erase this cumulative count.

Parameter Number	Setting Range	Minimum Setting Increments	Factory Setting
501	0	1	0

Count timing depending on communication line status



At the point of communication line fault occurrence, Pr. 501 "communication error occurrence count display" is incremented by 1.

Note: The communication error occurrence count is stored into RAM temporarily. Since this data is stored in E²PROM at one-hour intervals, performing power-on reset or inverter reset may cause the Pr. 501 data to be the value stored in E²PROM the last time depending on the reset timing.

3) Pr. 502 "communication error-time stop mode selection"

You can select the inverter operation if a communication line fault or a fault of the option itself occurs.

Parameter Number	Setting Range	Minimum Setting Increments	Factory Setting
502	0, 1, 2	1	0

About settings

- At fault occurrence

Fault	Pr. 502 Setting	At Fault Occurrence			Error Recognition after Elapse of Pr. 500 Time			At Fault Removal		
		Operation	Indication	Alarm output	Operation	Indication	Alarm output	Operation	Indication	Alarm output
Communication line	0	Continued	Normal indication (*)	Not provided (*)	Coast to stop	E.OP3 lit	Provided	Kept stopped	E.OP3 kept lit	Provided
	1				Decelerated to stop	E.OP3 lit after stop	Provided after stop			
	2						Not provided	Restart	Normal indication	Not Provided
Plug-in option itself	0	Coast to stop	E. 3 lit	Provided	Coast to stop	E. 3 lit	Provided	Kept stopped	E. 3kept lit	Provided
	1,2	Decelerated to stop	E. 3 lit after stop	Provided after stop	Decelerated to stop	E. 3 lit after stop	Provided after stop			

*If the fault status returns to the normal communication status within the time set in Pr. 500, a communication line fault (E, OP3) dose not occur.

REMARKS

1. A communication line fault [E.OP3 (alarm data: HA3)] is a fault that occurs on the communication line, and a fault of the option itself [E. 3 (alarm data: HF3)] is a communication circuit fault in the communication option.
2. The alarm output is the ABC contact output or alarm bit output.
3. When the setting was made to provide an alarm output, the fault definition is stored into the alarm history. (The fault definition is written to the alarm history when an alarm output is provided.) When no alarm output is provided, the fault definition overwrites the alarm indication of the alarm history temporarily, but is not stored. After the fault is removed, the alarm indication is reset and returns to the ordinary monitor, and the alarm history returns to the preceding alarm indication.
4. When the Pr. 502 setting is 1 or 2, the deceleration time is the ordinary deceleration setting (e.g. Pr. 8, Pr. 44, Pr. 45, Pr. 111).
5. The acceleration time at a restart is the ordinary acceleration setting (e.g. Pr. 7, Pr. 44, Pr. 110).
6. When the Pr. 502 setting is 2, the operation/speed command at a restart is the one given before the fault occurrence.
7. When a communication line fault occurs at the Pr. 502 setting of 2, removing the fault during deceleration causes acceleration to restart at that point. (Acceleration is not restarted if the fault is that of the option itself.)

(2) Alarm and measures

1) The inverter operates as follows at alarm occurrences

Fault Location	Status		Operation Mode		
			PU operation	External operation	Network operation
Inverter alarm	Inverter operation		Inverter trip	Inverter trip	Inverter trip
	Data communication		Continued	Continued	Continued
Communication line alarm	Inverter operation		Continued	Continued	Inverter trip (Depends on the Pr.502 setting)
	Data communication		Stop	Stop	Stop
Option itself	Communication option connection fault	Inverter operation	Inverter trip (Depends on the Pr.502 setting)	Inverter trip (Depends on the Pr.502 setting)	Inverter trip (Depends on the Pr.502 setting)
		Data communication	Continued	Continued	Continued
	Option alarm	Inverter operation	Continued	Continued	Inverter trip (Depends on the Pr.502 setting)
		Data communication	Stop	Stop	Stop

2) Measures at alarm occurrences

Alarm Indication	Alarm Definition	Measures
E. OP3	Communication line alarm	Check the LED states of the option unit and remove the cause of the alarm. (Refer to the instruction manual of each option unit for the LED indication status) Check the master.
E. 3	Option alarm	Check the connection between the inverter and option unit for poor contact, etc. and remove the cause of the alarm.

When alarms other than the above are displayed, refer to the inverter instruction manual and remove the cause of the alarm.

(3) Inverter reset

Which resetting method is allowed or not allowed in each operation mode is described below.

Resulting Method		Operation Mode		
		Network operation	External operation	PU operation
Master	Inverter reset (depend on the Pr. 75 setting)	Allowed	Disallowed	Disallowed
	Error reset at an inverter fault	Refer to the instruction manual of each communication option.		
Connect terminals RES-SD		Allowed	Allowed	Allowed
Switch off inverter power		Allowed	Allowed	Allowed

REMARKS

1. When a communication line fault has occurred, reset cannot be made from the master.
2. The inverter is set to the external operation mode if it has been reset in the network operation mode. To resume the network operation, the operation mode must be switched to the network operation again. (When any of "1, 2, 10, 12" is set in Pr. 340 "link startup mode selection", this switchover is not needed.)
3. Communication stops for about 1s during an inverter reset.

<When used with the FR-A5ND (DeviceNet) option>

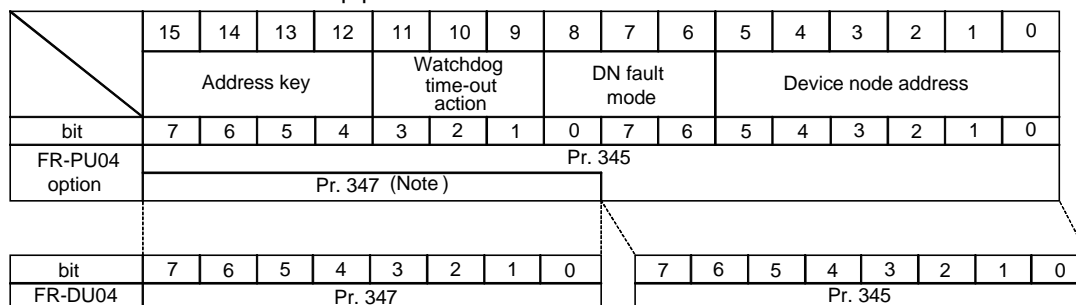
The methods of setting DeviceNet node address and baud rate using FR-DU04 or FR-PU04 are shown as follows.

Parameter Number	Name	Setting Range	Minimum Setting Increments	Factory Setting	Description
345	DeviceNet address starting data	0 to 65519	1	41023 (63)	() for FR-DU04
346	DeviceNet baud rate starting data	0 to 65519	1	20612 (132)	() for FR-DU04
347	DeviceNet address starting data (higher-order byte)	0 to 255	1	160	
348	DeviceNet baud rate starting data (higher-order byte)	0 to 255	1	80	

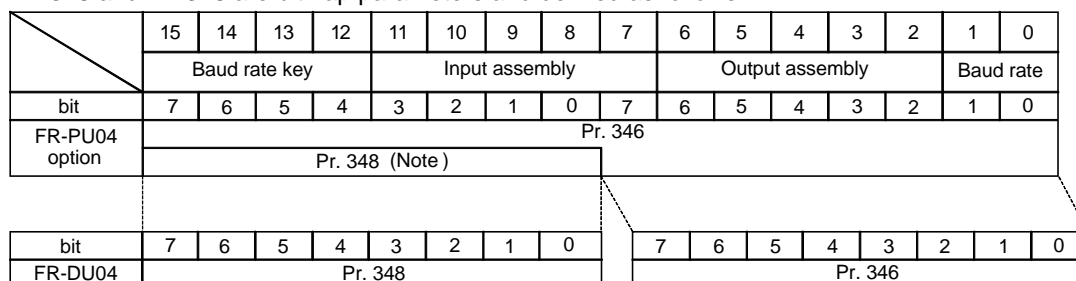
Remarks: Parameter copy, parameter clear and all parameter clear are enabled.

● **Bitmap parameters**

Pr. 345 and Pr. 347 are bitmap parameters and defined as follows:



Pr. 346 and Pr. 348 are bitmap parameters and defined as follows:



Note: When using the FR-PU04, you need not set the Pr. 347 and Pr. 348 values. These parameter values are automatically changed by setting the Pr. 345 and Pr. 346 values.

APPENDIX

This chapter provides the "appendix" for use of this product. Always read the instructions and other information before using the equipment.

Appendix1 Data Code List	240
--------------------------------	-----

Appendix1 Data Code List

Function	Parameter Number	Name	Data Codes		
			Read	Write	Link Parameter Extension Setting (Instruction code 7F/FF)
Basic functions	0	Torque boost	00	80	0
	1	Maximum frequency	01	81	0
	2	Minimum frequency	02	82	0
	3	Base frequency	03	83	0
	4	Multi-speed setting (high speed)	04	84	0
	5	Multi-speed setting (middle speed)	05	85	0
	6	Multi-speed setting (low speed)	06	86	0
	7	Acceleration time	07	87	0
	8	Deceleration time	08	88	0
Standard operation functions	9	Electronic thermal O/L relay	09	89	0
	10	DC injection brake operation frequency	0A	8A	0
	11	DC injection brake operation time	0B	8B	0
	12	DC injection brake voltage	0C	8C	0
	13	Starting frequency	0D	8D	0
	14	Load pattern selection	0E	8E	0
	15	Jog frequency	0F	8F	0
	16	Jog acceleration/deceleration time	10	90	0
	17	MRS input selection	11	91	0
	18	High-speed maximum frequency	12	92	0
	19	Base frequency voltage	13	93	0
	20	Acceleration/deceleration reference frequency	14	94	0
	21	Acceleration/deceleration time increments	15	95	0
	22	Stall prevention operation level	16	96	0
	23	Stall prevention operation level compensation factor at double speed	17	97	0
	24	Multi-speed setting (speed 4)	18	98	0
	25	Multi-speed setting (speed 5)	19	99	0
	26	Multi-speed setting (speed 6)	1A	9A	0
	27	Multi-speed setting (speed 7)	1B	9B	0
	28	Multi-speed input compensation	1C	9C	0
	29	Acceleration/deceleration pattern	1D	9D	0
	30	Regenerative function selection	1E	9E	0
	31	Frequency jump 1A	1F	9F	0
	32	Frequency jump 1B	20	A0	0
	33	Frequency jump 2A	21	A1	0
	34	Frequency jump 2B	22	A2	0
	35	Frequency jump 3A	23	A3	0
	36	Frequency jump 3B	24	A4	0
37	Speed display	25	A5	0	
Output terminal functions	41	Up-to-frequency sensitivity	29	A9	0
	42	Output frequency detection	2A	AA	0
	43	Output frequency detection for reverse rotation	2B	AB	0
Second functions	44	Second acceleration/deceleration time	2C	AC	0
	45	Second deceleration time	2D	AD	0
	46	Second torque boost	2E	AE	0
	47	Second V/F (base frequency)	2F	AF	0
	48	Second stall prevention operation current	30	B0	0
	49	Second stall prevention operation frequency	31	B1	0
	50	Second output frequency detection	32	B2	0
Display functions	52	DU/PU main display data selection	34	B4	0
	53	PU level display data selection	35	B5	0
	54	FM terminal function selection	36	B6	0
	55	Frequency monitoring reference	37	B7	0
	56	Current monitoring reference	38	B8	0
	Rated output current	57	Restart coasting time	39	B9
58		Restart cushion time	3A	BA	0

Function	Parameter Number	Name	Data Codes		
			Read	Write	Link Parameter Extension Setting (Instruction code 7F/FF)
Additional function	59	Remote setting function selection	3B	BB	0
	60	Intelligent mode selection	3C	BC	0
Operation selection functions	61	Reference I for intelligent mode	3D	BD	0
	62	Ref. I for intelligent mode accel	3E	BE	0
	63	Ref. I for intelligent mode decel	3F	BF	0
	64	Starting frequency for elevator mode	40	C0	0
	65	Retry selection	41	C1	0
	66	Stall prevention operation level reduction starting frequency	42	C2	0
	67	Number of retries at alarm occurrence	43	C3	0
	68	Retry waiting time	44	C4	0
	69	Retry count display erasure	45	C5	0
	70	Special regenerative brake duty	46	C6	0
	71	Applied motor	47	C7	0
	72	PWM frequency selection	48	C8	0
	73	0-5V/0-10V selection	49	C9	0
	74	Filter time constant	4A	CA	0
	75	Reset selection/disconnected PU detection/PU stop selection	4B	CB	0
	76	Alarm code output selection	4C	CC	0
	77	Parameter write disable selection	4D	CD (Note)	0
	78	Reverse rotation prevention selection	4E	CE	0
79	Operation mode selection	4F	CF (Note)	0	
Advanced magnetic flux vectorcontrol	80	Motor capacity	50	D0	0
	81	Number of motor poles	51	D1	0
	82	Motor excitation current	52	D2	0
	83	Rated motor voltage	53	D3	0
	84	Rated motor frequency	54	D4	0
	89	Speed control gain	59	D9	0
	90	Motor constant (R1)	5A	DA	0
	91	Motor constant (R2)	5B	DB	0
	92	Motor constant (L1)	5C	DC	0
	93	Motor constant (L2)	5D	DD	0
	94	Motor constant (X)	5E	DE	0
	95	Online auto tuning selection	5F	DF	0
96	Auto-tuning setting/status	60	E0	0	
5-point flexible V/F characteristics	100	V/F1 (first frequency)	00	80	1
	101	V/F1 (first frequency voltage)	01	81	1
	102	V/F2 (second frequency)	02	82	1
	103	V/F2 (second frequency voltage)	03	83	1
	104	V/F3 (third frequency)	04	84	1
	105	V/F3 (third frequency voltage)	05	85	1
	106	V/F4 (fourth frequency)	06	86	1
	107	V/F4 (fourth frequency voltage)	07	87	1
	108	V/F5 (fifth frequency)	08	88	1
109	V/F5 (fifth frequency voltage)	09	89	1	
Third functions	110	Third acceleration/deceleration time	0A	8A	1
	111	Third deceleration time	0B	8B	1
	112	Third torque boost	0C	8C	1
	113	Third V/F (base frequency)	0D	8D	1
	114	Third stall prevention operation current	0E	8E	1
	115	Third stall prevention operation frequency	0F	8F	1
116	Third output frequency detection	10	90	1	

Function	Parameter Number	Name	Data Codes		
			Read	Write	Link Parameter Extension Setting (Instruction code 7F/FF)
Communication functions	117	Station number	11	91	1
	118	Communication speed	12	92	1
	119	Stop bit length/data length	13	93	1
	120	Parity check presence/absence	14	94	1
	121	Number of communication retries	15	95	1
	122	Communication check time interval	16	96	1
	123	Waiting time setting	17	97	1
PID control	124	CR, LF presence/absence selection	18	98	1
	128	PID action selection	1C	9C	1
	129	PID proportional band	1D	9D	1
	130	PID integral time	1E	9E	1
	131	Upper limit	1F	9F	1
	132	Lower limit	20	A0	1
Commercial power supply-inverter switch-over	133	PID action set point for PU operation	21	A1	1
	134	PID differential time	22	A2	1
	135	Commercial power supply-inverter switch-over sequence output terminal selection	23	A3	1
	136	MC switch-over interlock time	24	A4	1
	137	Start waiting time	25	A5	1
Backlash	138	Commercial power supply-inverter switch-over selection at alarm occurrence	26	A6	1
	139	Automatic inverter-commercial power supply switch-over frequency	27	A7	1
	140	Backlash acceleration stopping frequency	28	A8	1
	141	Backlash acceleration stopping time	29	A9	1
Display	142	Backlash deceleration stopping frequency	2A	AA	1
	143	Backlash deceleration stopping time	2B	AB	1
Additional functions	144	Speed setting switchover	2C	AC	1
	145	PU display language selection			
Current detection	148	Stall prevention operation level at 0V input	30	B0	1
	149	Stall prevention operation level at 10V input	31	B1	1
	150	Output current detection level	32	B2	1
	151	Output current detection period	33	B3	1
	152	Zero current detection time	34	B4	1
Sub functions	153	Zero current detection period	35	B5	1
	154	Voltage reduction selection during stall prevention operation	36	B6	1
	155	RT signal activated condition	37	B7	1
	156	Stall prevention operation selection	38	B8	1
	157	OL signal waiting time	39	B9	1
Restart after instantaneous power failure	158	AM terminal function selection	3A	BA	1
	160	User group read selection	00	80	2
	162	Automatic restart after instantaneous power failure selection	02	82	2
	163	First cushion time for restart	03	83	2
Initial monitor	164	First cushion voltage for restart	04	84	2
	165	Restart stall prevention operation level	05	85	2
	170	Watt-hour meter clear	0A	8A	2
User functions	171	Actual operation hour meter clear	0B	8B	2
	173	User group 1 registration	0D	8D	2
	174	User group 1 deletion	0E	8E	2
	175	User group 2 registration	0F	8F	2
	176	User group 2 deletion	10	90	2

Function	Parameter Number	Name	Data Codes		
			Read	Write	Link Parameter Extension Setting (Instruction code 7F/FF)
Terminal assignment functions	180	RL terminal function selection	14	94	2
	181	RM terminal function selection	15	95	2
	182	RH terminal function selection	16	96	2
	183	RT terminal function selection	17	97	2
	184	AU terminal function selection	18	98	2
	185	JOG terminal function selection	19	99	2
	186	CS terminal function selection	1A	9A	2
	190	RUN terminal function selection	1E	9E	2
	191	SU terminal function selection	1F	9F	2
	192	IPF terminal function selection	20	A0	2
	193	OL terminal function selection	21	A1	2
194	FU terminal function selection	22	A2	2	
195	A, B, C terminal function selection	23	A3	2	
Additional function	199	User's initial value setting	27	A7	2
Programmed operation	200	Programmed operation minute/second selection	3C	BC	1
	201	Program setting 1	3D	BD	1
	202	Program setting 1	3F	BE	1
	203	Program setting 1	3F	BF	1
	204	Program setting 1	40	C0	1
	205	Program setting 1	41	C1	1
	206	Program setting 1	42	C2	1
	207	Program setting 1	43	C3	1
	208	Program setting 1	44	C4	1
	209	Program setting 1	45	C5	1
	210	Program setting 1	46	C6	1
	211	Program setting 2	47	C7	1
	212	Program setting 2	48	C8	1
	213	Program setting 2	49	C9	1
	214	Program setting 2	4A	CA	1
	215	Program setting 2	4B	CB	1
	216	Program setting 2	4C	CC	1
	217	Program setting 2	4D	CD	1
	218	Program setting 2	4E	CE	1
	219	Program setting 2	4F	CF	1
	220	Program setting 2	50	D0	1
	221	Program setting 3	51	D1	1
	222	Program setting 3	52	D2	1
	223	Program setting 3	53	D3	1
224	Program setting 3	54	D4	1	
225	Program setting 3	55	D5	1	
226	Program setting 3	56	D6	1	
227	Program setting 3	57	D7	1	
228	Program setting 3	58	D8	1	
229	Program setting 3	59	D9	1	
230	Program setting 3	5A	DA	1	
231	Timer setting	5B	DB	1	
Multi-speed operation	232	Multi-speed setting (speed 8)	28	A8	2
	233	Multi-speed setting (speed 9)	29	A9	2
	234	Multi-speed setting (speed 10)	2A	AA	2
	235	Multi-speed setting (speed 11)	2B	AB	2
	236	Multi-speed setting (speed 12)	2C	AC	2
	237	Multi-speed setting (speed 13)	2D	AD	2
	238	Multi-speed setting (speed 14)	2E	AE	2
	239	Multi-speed setting (speed 15)	2F	AF	2
Sub function	240	Soft-PWM setting	30	B0	2
	244	Cooling fan operation selection	34	B4	2
Stop selection function	250	Stop selection	3A	BA	2

Function	Parameter Number	Name	Data Codes		
			Read	Write	Link Parameter Extension Setting (Instruction code 7F/FF)
Additional function	251	Output phase failure protection selection	3B	BB	2
	252	Override bias	3C	BC	2
	253	Override gain	3D	BD	2
Power failure stop functions	261	Power failure stop selection	45	C5	2
	262	Subtracted frequency at deceleration start	46	C6	2
	263	Subtraction starting frequency	47	C7	2
	264	Power-failure deceleration time 1	48	C8	2
	265	Power-failure deceleration time 2	49	C9	2
	266	Power-failure deceleration time switchover frequency	4A	CA	2
Function selection	270	Stop-on-contact/load torque high-speed frequency control selection	4E	CE	2
High speed frequency control	271	High-speed setting maximum current	4F	CF	2
	272	Mid-speed setting minimum current	50	D0	2
	273	Current averaging range	51	D1	2
	274	Current averaging filter constant	52	D2	2
Stop on contact	275	Stop-on-contact excitation current low-speed multiplying factor	53	D3	2
	276	Stop-on-contact PWM carrier frequency	54	D4	2
Brake sequence functions	278	Brake opening frequency	56	D6	2
	279	Brake opening current	57	D7	2
	280	Brake opening current detection time	58	D8	2
	281	Brake operation time at start	59	D9	2
	282	Brake operation frequency	5A	DA	2
	283	Brake operation time at stop	5B	DB	2
	284	Deceleration detection function selection	5C	DC	2
	285	Overspeed detection frequency	5D	DD	2
Droop control	286	Droop gain	5E	DE	2
	287	Droop filter constant	5F	DF	2
12-bit digital input	300	BCD code input bias	00	80	3
	301	BCD code input gain	01	81	3
	302	Binary input bias	02	82	3
	303	Binary input gain	03	83	3
	304	Selection of whether digital input and analog compensation input are enabled or disabled	04	84	3
	305	Data read timing signal on/off selection	05	85	3
Analog output, digital output	306	Analog output signal selection	06	86	3
	307	Setting for zero analog output	07	87	3
	308	Setting for maximum analog output	08	88	3
	309	Analog output signal voltage/current switch-over	09	89	3
	310	Analog meter voltage output selection	0A	8A	3
	311	Setting for zero analog meter voltage output	0B	8B	3
	312	Setting for maximum analog meter voltage output	0C	8C	3
	313	Y0 output selection	0D	8D	3
	314	Y1 output selection	0E	8E	3
	315	Y2 output selection	0F	8F	3
	316	Y3 output selection	10	90	3
	317	Y4 output selection	11	91	3
	318	Y5 output selection	12	92	3
	319	Y6 output selection	13	93	3
Relay output	320	RA1 output selection	14	94	3
	321	RA2 output selection	15	95	3
	322	RA3 output selection	16	96	3

Function	Parameter Number	Name	Data Codes		
			Read	Write	Link Parameter Extension Setting (Instruction code 7F/FF)
Computer link function	330	RA output selection	1E	9E	3
	331	Communication station number	1F	9F	3
	332	Communication speed	20	A0	3
	333	Stop bit length	21	A1	3
	334	Parity check yes/no	22	A2	3
	335	Communication retry count	23	A3	3
	336	Communication check time interval	24	A4	3
	337	Waiting time setting	25	A5	3
	338	Operation command right	26	A6	3
	339	Speed command right	27	A7	3
	340	Link startup mode selection	28	A8	3
	341	CR • LF yes/no selection	29	A9	3
342	E ² PROM write selection	2A	AA	3	
DeviceNet Communication	345	DeviceNet address startup data (lower byte)	2D	AD	3
	346	DeviceNet baud rate startup data (lower byte)	2E	AE	3
	347	DeviceNet address startup data (higher byte)	2F	AF	3
	348	DeviceNet baud rate startup data (higher byte)	30	B0	3
Orientation control / Encoder feedback control / Pulse train input	350	Stop position command selection	32	B2	3
	351	Orientation switchover speed	33	B3	3
	352	Crreep speed	34	B4	3
	353	Creep switch position	35	B5	3
	354	Position loop switchover position	36	B6	3
	355	DC injection start position	37	B7	3
	356	Internal stop position command	38	B8	3
	357	In-position zone	39	B9	3
	358	Servo torque selection	3A	BA	3
	359	Encoder rotation direction	3B	BB	3
	360	12 bit date selection	3C	BC	3
	361	Position shift	3D	BD	3
	362	Position loop gain	3E	BE	3
	363	Completion signal output delay time	3F	BF	3
	364	Encoder stop check time	40	C0	3
	365	Orientation censored time	41	C1	3
	366	Reconfirmation time	42	C2	3
	367	Speed feedback range	43	C3	3
	368	Feedback gain	44	C4	3
	369	Number of orientation encoder pulses	45	C5	3
	370	Control mode selection	46	C6	3
	371	Torque characteristic selection	47	C7	3
	372	Speed control P gain	48	C8	3
	373	Speed control I gain	49	C9	3
	374	Overspeed detection level	4A	CA	3
	375	Servo lock gain	4B	CB	3
	376	Disconnection detection selection	4C	CC	3
	380	Acceleration S pattern 1	50	D0	3
381	Deceleration S pattern 1	51	D1	3	
382	Acceleration S pattern 2	52	D2	3	
383	Deceleration S pattern 2	53	D3	3	
384	Input pulse division scaling factor	54	D4	3	
385	Frequency for zero input pulse	55	D5	3	
386	Frequency for maximum input pulse	56	D6	3	
Communication	500	Communication error recognition waiting time	00	80	5
	501	Communication error occurrence count display	01	81	5
	502	Communication error-time stop mode selection	02	82	5

Function	Parameter Number	Name	Data Codes				
			Read	Write	Link Parameter Extension Setting (Instruction code 7F/FF)		
Capacitor life	503	Capacitor life timer	03	83	6		
	504	Capacitor life alarm output setting time	04	84	8		
Restart after instantaneous power failure	611	Restart acceleration time	0B	8B	8		
Vector control	816	Acceleration torque restriction level	10	90	8		
	817	Deceleration torque restriction level	11	90	8		
Calibration functions	900	FM terminal calibration	5C	DC	1		
	901	AM terminal calibration	5D	DD	1		
	902	Frequency setting voltage bias	5E	DE	1		
	903	Frequency setting voltage gain	5F	DF	1		
	904	Frequency setting current bias	60	E0	1		
	905	Frequency setting current gain	61	E1	1		
	990	PU Buzzer control	5A	DA	9		
991	PU contrast adjustment	5B	DB	9			
	—	Second parameter switch-over	6C	EC	—		
	—	Frequency setting	Running frequency (RAM)		6D	ED	—
	—		Running frequency (E ² PROM)		6E	EE	—
	—	Frequency monitor	Monitor		6F	—	—
	—		Output current monitor		70	—	—
	—		Output voltage monitor		71	—	—
	—		Special monitor		72	—	—
	—	Alarm display	Special monitor selection No.		73	F3	—
	—		Most recent No. 1, No. 2/alarm display clear		74	F4	—
	—		Most recent No. 3, No. 4		75	—	—
	—		Most recent No. 5, No. 6		76	—	—
	—	Most recent No. 7, No. 8		77	—	—	
	—	Inverter status monitor/run command		7A	FA	—	
	—	Operation mode acquisition		7B	FB	—	
	—	All clear		—	FC	—	
	—	Inverter reset		—	FD	—	
	—	Link parameter extension setting		7F	FF	—	

Note: Note that write to the parameters Pr. 77 and Pr. 79 are valid for computer link operation which uses the PU connector, but invalid for computer link operation which uses the option (FR-A5NR).



MEMO

REVISIONS

* The manual number is given on the bottom left of the back cover.

Print Data	*Manual Number	Revision
Mar., 2003	IB(NA)-0600133E-A	First edition
Oct., 2003	IB(NA)-0600133E-B	<div style="border: 1px solid black; display: inline-block; padding: 2px;">Modification</div> Error correction



For Maximum Safety

- Mitsubishi transistorized inverters are not designed or manufactured to be used in equipment or systems in situations that can affect or endanger human life.
- When considering this product for operation in special applications such as machinery or systems used in passenger transportation, medical, aerospace, atomic power, electric power, or submarine repeating applications, please contact your nearest Mitsubishi sales representative.
- Although this product was manufactured under conditions of strict quality control, you are strongly advised to install safety devices to prevent serious accidents when it is used in facilities where breakdowns of the product are likely to cause a serious accident.
- Please do not use this product for loads other than three-phase induction motors.