

INVERTER FR-F800

FR-F806 (IP55/UL Type 12 SPECIFICATIONS) INSTRUCTION MANUAL (HARDWARE)

Inverter for fans and pumps

FR-F846-00023(0.75K) to 03610(160K)-L2



| | |
|---|----------|
| INTRODUCTION | 1 |
| INSTALLATION AND WIRING | 2 |
| PRECAUTIONS FOR USE OF THE INVERTER | 3 |
| PROTECTIVE FUNCTIONS | 4 |
| PRECAUTIONS FOR MAINTENANCE AND INSPECTION | 5 |
| SPECIFICATIONS | 6 |

Thank you for choosing this Mitsubishi Electric inverter.

This Instruction Manual describes handling and cautions about the hardware, such as installation and wiring, for the FR-F806(IP55/UL Type12 specification product) that are different from the FR-F800.

Information about the software, such as basic operations and parameters, is described in the FR-F800 Instruction Manual (Detailed) in the CD-ROM enclosed with the product.

In addition to this manual, please read the manuals in the enclosed CD-ROM carefully. Do not use this product until you have a full knowledge of this product, safety information and instructions.

Please forward this Instruction Manual to the end user.

Safety Instructions

Do not attempt to install, operate, maintain or inspect this product until you have read through this Instruction Manual and supplementary documents carefully and can use the equipment correctly. Do not use this product until you have a full knowledge of this product, safety information and instructions.

Installation, operation, maintenance and inspection must be performed by qualified personnel. Here, an expert means a person who meets all the conditions below.

- A person who took a proper engineering training. Such training may be available at your local Mitsubishi Electric office. Contact your local sales office for schedules and locations.
- A person who can access operating manuals for the protective devices (e.g. light curtain) connected to the safety control system. A person who has read and familiarized himself/herself with the manuals.

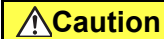
In this Instruction Manual, the safety instruction levels are classified into "Warning" and "Caution"



Incorrect handling may cause hazardous conditions, resulting in death or severe injury.



Incorrect handling may cause hazardous conditions, resulting in medium or slight injury, or may cause only material damage.



The **Caution** level may even lead to a serious consequence according to conditions. Both instruction levels must be followed because these are important to personal safety.

◆ Electric Shock Prevention

⚠ Warning

- While the inverter power is ON, do not remove the front cover or the wiring cover. Do not run the inverter with the front cover or the wiring cover removed. Otherwise you may access the exposed high voltage terminals or the charging part of the circuitry and get an electric shock.
- Even if power is OFF, do not remove the front cover except for wiring or periodic inspection. You may accidentally touch the charged inverter circuits and get an electric shock.
- Before wiring or inspection, LCD indication of the operation panel must be switched OFF. Any person who is involved in wiring or inspection shall wait for at least 10 minutes after the power supply has been switched OFF and check that there are no residual voltage using a tester or the like. The capacitor is charged with high voltage for some time after power OFF, and it is dangerous.
- This inverter must be earthed (grounded). Earthing (grounding) must conform to the requirements of national and local safety regulations and electrical code (NEC section 250, IEC 61140 class 1 and other applicable standards). A neutral-point earthed (grounded) power supply in compliance with EN standard must be used.
- Any person who is involved in wiring or inspection of this equipment shall be fully competent to do the work.
- The inverter must be installed before wiring. Otherwise you may get an electric shock or be injured.
- Do not subject the cables to scratches, excessive stress, heavy loads or pinching. Otherwise you may get an electric shock.
- Do not change the cooling fan while power is ON as it is dangerous.
- Do not touch the printed circuit board or handle the cables with wet hands. Otherwise you may get an electric shock.
- Never touch the motor terminals, etc. right after powering OFF as the DC voltage is applied to the motor for 1 second at powering OFF if the main circuit capacitor capacity is measured. Doing so may cause an electric shock..
- Before wiring or inspection for a PM motor, confirm that the PM motor is stopped as a PM motor is a synchronous motor with high-performance magnets embedded inside and high-voltage is generated at the motor terminals while the motor is running even after the power of this product is turned OFF. In an application, such as fan and blower, that the motor may be driven by the load, connect a low-voltage manual contactor at this product output side and keep it open during wiring and inspection of this product. Otherwise you may get an electric shock.

◆ Fire Prevention

⚠ Caution

- Inverter must be installed on a nonflammable wall without holes in it so that its components cannot be touched from behind. Mounting it to or near flammable material may cause a fire.
- If the inverter becomes faulty, the inverter power must be switched OFF. A continuous flow of large current may cause a fire.
- Resistors cannot be used. Do not connect a resistor directly to the DC terminals P/+ and N/-. Doing so could cause a fire.
- Be sure to perform daily and periodic inspections as specified in the Instruction Manual. There is a possibility of explosion, damage, or fire if this product is used without inspection.

◆ Injury Prevention

⚠ Caution

- The voltage applied to each terminal must be the ones specified in the Instruction Manual. Otherwise an explosion or damage may occur.
- The cables must be connected to the correct terminals. Otherwise an explosion or damage may occur.
- The polarity (+ and -) must be correct. Otherwise an explosion or damage may occur.
- While power is ON or for some time after power-OFF, do not touch the inverter as it will be extremely hot. Touching these devices may cause a burn.

◆ Additional Instructions

The following instructions must be also followed. If the product is handled incorrectly, it may cause unexpected fault, an injury, or an electric shock.

⚠ Caution

Transportation and Mounting

- To prevent injury, wear cut-resistant gloves when opening packaging with sharp tools.
- Use proper lifting techniques or a trolley when carrying products. Failure to do so may lead to injuries.
- Do not stand or rest heavy objects on the product.
- Do not stack the boxes containing inverters higher than the number recommended.
- When carrying the inverter, do not hold it by the front cover; it may fall or break.
- During installation, caution must be taken not to drop the inverter as doing so may cause injuries.
- The product must be installed on a surface that withstands the weight of the inverter.
- Do not install the product on a hot surface.
- Ensure the mounting orientation of this product is correct.
- Ensure this product is mounted securely in its enclosure.
- Do not install or operate the inverter if it is damaged or has parts missing.
- Foreign conductive objects must be prevented from entering the inverter. That includes screws and metal fragments or other flammable substance such as oil.
- As the inverter is a precision instrument, do not drop or subject it to impact.
- The ambient temperature must be between -10 and +40°C (non-freezing). Otherwise the inverter may be damaged.
- The ambient humidity must be 95%RH or less (non-condensing). Otherwise the inverter may be damaged. (Refer to [page 20](#) for details.)
- The storage temperature (applicable for a short time, e.g. during transit) must be between -20 and +65°C. Otherwise the inverter may be damaged.
- The inverter must be used indoors (without corrosive gas, flammable gas, oil mist, dust and dirt etc.) Otherwise the inverter may be damaged.
- Do not use this product at an altitude above 2500 m. Vibration should not exceed 5.9 m/s²*1 at 10 to 55 Hz in X, Y, and Z directions. Otherwise the product may be damaged. (For installation at an altitude above 1000 m, consider a 3% reduction in the rated current per 500 m increase in altitude.)
- If halogens (including fluorine, chlorine, bromine, and iodine) contained in fumigants for wood packages enter this product, the product may be damaged. Prevent the entry of fumigant residuals or use an alternative method such as heat disinfection. Note that sterilization or disinfection of wood packages should be performed before packing the product.

Wiring

- Do not install a power factor correction capacitor, surge absorber, or radio noise filter on the output side of this product. These devices may overheat or burn out.
- The output terminals (terminals U, V, and W) must be connected to a motor correctly. Otherwise the motor will rotate inversely.
- Even with the power OFF, high voltage is still applied to the terminals U, V and W while the PM motor is running. Ensure the PM motor has stopped before carrying out any wiring. Otherwise you may get an electric shock.
- Never connect an PM motor to a commercial power supply. Connecting a commercial power supply to the input terminals (U, V, W) of a PM motor will burn it out. The PM motor must be connected with the output terminals (U, V, W) of the inverter.

Trial run

- Before starting operation, each parameter must be confirmed and adjusted. A failure to do so may cause some machines to make unexpected motions.

*1 2.9 m/s² or less for the FR-F846-01800(75K) or higher.

⚠ Warning

Usage

- Stay away from the equipment when the retry function is set as it will restart suddenly after a trip.
- Since pressing the STOP/RESET key of the operation panel may not stop output depending on the function setting status, separate circuit and switch that make an emergency stop (power OFF, mechanical brake operation for emergency stop, etc.) must be provided.
- Be sure to turn OFF the start (STF/STR) signal before clearing the fault as this product will restart the motor suddenly after a fault is cleared.
- Do not use an PM motor for an application where the PM motor is driven by its load and runs at a speed higher than the maximum motor speed.
- Use this inverter only with three-phase induction motors or with an PM motor. Connection of any other electrical equipment to the inverter output may damage the equipment.
- Do not modify the equipment.
- Do not perform parts removal which is not instructed in this manual. Doing so may lead to fault or damage of the product.

⚠ Caution

Usage

- The electronic thermal relay function does not guarantee protection of the motor from overheating. It is recommended to install both an external thermal and PTC thermistor for overheat protection.
- Do not repeatedly start or stop this product with a magnetic contactor on its input side.
- The effect of electromagnetic interference must be reduced by using a noise filter or by other means. Otherwise nearby electronic equipment may be affected.
- Appropriate precautions must be taken to suppress harmonics. Otherwise power supply harmonics from the inverter may heat/damage the power factor correction capacitor and generator.
- To drive a 400 V class motor with this product, use an insulation-enhanced motor, or take measures to suppress surge voltage. Otherwise surge voltage, which is attributed to the length and thickness of wire, may occur at the motor terminals, causing the motor insulation to deteriorate.
- When parameter clear or all parameter clear is performed, the required parameters must be set again before starting operations. because all parameters return to their initial values.
- The inverter can be easily set for high-speed operation. Before changing its setting, the performances of the motor and machine must be fully examined.
- This product's brake function cannot be used as a mechanical brake. Use a separate device instead.
- Perform an inspection and test operation of this product if it has been stored for a long period of time.
- Static electricity in your body must be discharged before you touch the product.
- Only one PM motor can be connected to an inverter.
- An PM motor must be used under PM motor control. Do not use a synchronous motor, induction motor, or synchronous induction motor.
- Do not connect a PM motor to this product with it set to the induction motor control setting (initial setting). Do not connect an induction motor to this product with it set to the PM sensorless vector control setting. Doing so will cause failure.
- In the system with an PM motor, the inverter power must be turned ON before closing the contacts of the contactor at the output side.
- To maintain the security (confidentiality, integrity, and availability) of the inverter and the system against unauthorized access, DoS*1 attacks, computer viruses, and other cyberattacks from external devices via network, take appropriate measures such as firewalls, virtual private networks (VPNs), and antivirus solutions. We shall have no responsibility or liability for any problems involving inverter trouble and system trouble by DoS attacks, unauthorized access, computer viruses, and other cyberattacks.
- When the emergency drive function is enabled, the operation is continued or the retry operation (automatic reset and restart) is repeated even if a fault occurs, which may damage or burn this product and the motor. Before restarting the normal operation after the operation using the emergency drive function, make sure that this product and the motor have no fault.

Emergency stop

- A safety backup such as an emergency brake must be provided for devices or equipment in a system to prevent hazardous conditions in case of failure of this product or an external device controlling this product.
- If the breaker installed on the input side of this product trips, check for wiring faults (short circuits etc.) and damage to internal parts of this product. Identify and remove the cause of the trip before resetting the tripped breaker and applying the power to the product again.
- When a protective function activates, take an appropriate corrective action, then reset the inverter, and resume the operation.

Maintenance, inspection and parts replacement

- Do not carry out a megger (insulation resistance) test on the control circuit of the inverter. It will cause a failure.

Disposal

- The inverter must be treated as industrial waste.

*1 DoS: A denial-of-service (DoS) attack disrupts services by overloading systems or exploiting vulnerabilities, resulting in a denial-of-service (DoS) state.

⚠ Caution

Waterproof and dustproof performances

- The inverter is rated with an IPX5*2 waterproof rating and an IP5X*3 dustproof rating when the operation panel, the front cover, the wiring cover, and the cable glands are securely fixed with screws.
- The items enclosed with the inverter such as the Instruction Manual or CD are not rated with the IPX5 waterproof or IP5X dustproof ratings.
- Although the inverter is rated with the IPX5 waterproof and IP5X dustproof ratings, it is not intended for use in water. Also, the ratings do not guarantee protection of the inverter from needless submersion in water or being washed under strong running water such as a shower.
- Do not pour or apply the following liquids over the inverter: water containing soap, detergent, or bath additives; sea water; swimming pool water; warm water; boiling water; etc.
- The inverter is intended for indoor*5 installation and not for outdoor installation. Avoid places where the inverter is subjected to direct sunlight, rain, sleet, snow, or freezing temperatures.
- If the operation panel is not installed, if the screws of the operation panel are not tightened, or if the operation panel is damaged or deformed, the IPX5 waterproof performance and the IP5X dustproof performance are impaired. If any abnormalities are found on the operation panel, ask for an inspection and repair.
- If the screws of the front cover or the wiring cover are not tightened, if any foreign matter (hair, sand grain, fiber, etc.) is stuck between the inverter and the gasket, if the gasket is damaged, or if the front cover or the wiring cover is damaged or deformed, the IPX5 waterproof performance and the IP5X dustproof performance are impaired. If any abnormalities are found on the front cover, wiring cover, or the gasket of the inverter, ask for an inspection and repair.
- Cable glands are important components to maintain the waterproof and dustproof performances. Be sure to use cable glands of the recommended size and shape or equivalent. The standard protective bushes cannot sufficiently maintain the IPX5 waterproof performance and the IP5X dustproof performance.
- If a cable gland is damaged or deformed, the IPX5 waterproof performance and the IP5X dustproof performance are impaired. If any abnormalities are found on the cable glands, ask the manufacturer of the cable glands for an inspection and repair.
- To maintain the waterproof and dustproof performances of the inverter, daily and periodic inspections are recommended regardless of the presence or absence of abnormalities.

*2 IPX5 refers to protection of the inverter functions against water jets from any direction when about 12.5-liter water*4 is injected from a nozzle with an inside diameter of 6.3 mm from the distance of about 3 m for at least 3 minutes.

*3 IP5X refers to protection of the inverter functions and maintenance of safety when the inverter is put into a stirring device containing dust of 75 μm or smaller in diameter, stirred for 8 hours, and then removed from the device.

*4 Water here refers to fresh water at room temperature (5 to 35°C).

*5 Indoor here refers to the environments that are not affected by climate conditions.

General instruction



- For clarity purpose, illustrations in this Instruction Manual may be drawn with covers or safety guards removed. Ensure all covers and safety guards are properly installed prior to starting operation. For details on the PM motor, refer to the Instruction Manual of the PM motor.

Application of caution labels

Caution labels are used to ensure safety during use of Mitsubishi Electric inverters.

Apply the following labels to the inverter if the "retry function" and/or "automatic restart after instantaneous power failure" have been enabled.

- For the retry function


| | |
|--|---|
|  | CAUTION (Retry Function Has Been Selected) |
|  Stay away from the motor and machine. They will start suddenly (after given time has elapsed) when alarm occurs. | |


- For automatic restart after instantaneous power failure

| | |
|---|---|
|  | CAUTION (Automatic Restart after Instantaneous Power Failure Has Been Selected) |
|  Stay away from the motor and machine. They will start suddenly (after reset time has elapsed) when instantaneous power failure occurs. | |

Application of motor control labels

Apply the following labels to the inverter to avoid connecting motors not intended for a particular motor control setting.

| | |
|---|---|
| Induction motor setting | |
|  | The inverter is set for the induction motor control. Do not connect a PM motor. |

| | |
|---|---|
| PM motor control setting | |
|  | The inverter is set for the PM motor control. Do not connect an induction motor. |

| | | |
|----------|--|-----------|
| 1 | INTRODUCTION | 9 |
| 1.1 | Product checking and accessories | 10 |
| 1.2 | Component names | 11 |
| 1.3 | Related manuals | 12 |
| 2 | INSTALLATION AND WIRING | 13 |
| 2.1 | Peripheral devices | 14 |
| 2.1.1 | Inverter and peripheral devices | 14 |
| 2.1.2 | Peripheral devices | 16 |
| 2.2 | Removal and reinstallation of the front cover | 17 |
| 2.3 | Installation of the inverter | 20 |
| 2.3.1 | Inverter installation environment..... | 20 |
| 2.3.2 | Inverter installation..... | 22 |
| 2.4 | Terminal connection diagrams | 23 |
| 2.5 | Main circuit terminals | 27 |
| 2.5.1 | Details on the main circuit terminals..... | 27 |
| 2.5.2 | Terminal layout of the main circuit terminals, wiring of power supply and the motor..... | 27 |
| 2.5.3 | Wiring method..... | 28 |
| 2.5.4 | Applicable cables and the wiring length..... | 32 |
| 2.5.5 | Earthing (grounding) precautions | 34 |
| 2.6 | Control circuit | 35 |
| 2.6.1 | Details on the control circuit terminals..... | 35 |
| 2.6.2 | Control logic (sink/source) change | 40 |
| 2.6.3 | Wiring of control circuit | 42 |
| 2.6.4 | Wiring precautions | 44 |
| 2.6.5 | When supplying 24 V external power to the control circuit..... | 45 |
| 2.6.6 | Safety stop function | 47 |
| 2.7 | Operation panel (FR-LU08-01) | 49 |
| 2.7.1 | Components of the operation panel..... | 49 |
| 2.7.2 | Outline of the Main monitor indicator | 50 |
| 2.7.3 | Basic operation of the operation panel | 51 |
| 2.8 | Communication connectors and terminals | 52 |
| 2.8.1 | PU connector | 52 |
| 2.8.2 | USB connector..... | 53 |
| 2.8.3 | RS-485 terminal block | 55 |
| 2.9 | Connection of stand-alone option units | 56 |
| 2.9.1 | Connection of the brake unit (FR-BU2) | 56 |
| 2.9.2 | Connection of the brake unit (FR-BU) | 58 |
| 2.9.3 | Connection of the brake unit (BU type)..... | 59 |
| 2.9.4 | Connection of the high power factor converter (FR-HC2) | 60 |

| | | |
|-------|--|----|
| 2.9.5 | Connection of the multifunction regeneration converter (FR-XC) | 60 |
| 2.9.6 | Connection of the power regeneration common converter (FR-CV) | 63 |
| 2.9.7 | Connection of the power regeneration converter (MT-RC) | 64 |

3 PRECAUTIONS FOR USE OF THE INVERTER 65

| | | |
|-------|---|----|
| 3.1 | Electro-magnetic interference (EMI) and leakage currents | 66 |
| 3.1.1 | Leakage currents and countermeasures | 66 |
| 3.1.2 | Countermeasures against inverter-generated EMI | 68 |
| 3.1.3 | Built-in EMC filter | 70 |
| 3.2 | Power supply harmonics | 71 |
| 3.2.1 | Power supply harmonics | 71 |
| 3.2.2 | Harmonic suppression guidelines in Japan | 72 |
| 3.3 | Installation of a reactor | 74 |
| 3.4 | Power-OFF and magnetic contactor (MC) | 75 |
| 3.5 | Countermeasures against deterioration of the 400 V class motor insulation | 76 |
| 3.6 | Checklist before starting operation | 77 |
| 3.7 | Failsafe system which uses the inverter | 79 |

4 PROTECTIVE FUNCTIONS 81

| | | |
|-----|---|----|
| 4.1 | Inverter fault and alarm indications | 82 |
| 4.2 | Reset method for the protective functions | 82 |
| 4.3 | Faults history and the list of fault displays | 83 |
| 4.4 | Causes and corrective actions | 84 |

5 PRECAUTIONS FOR MAINTENANCE AND INSPECTION 85

| | | |
|-------|--|-----|
| 5.1 | Inspection item | 86 |
| 5.1.1 | Daily inspection | 86 |
| 5.1.2 | Periodic inspection | 86 |
| 5.1.3 | Daily and periodic inspection | 87 |
| 5.1.4 | Checking the inverter and converter modules | 89 |
| 5.1.5 | Cleaning | 89 |
| 5.1.6 | Replacement of parts | 90 |
| 5.1.7 | Removal and reinstallation of the control circuit terminal block | 109 |
| 5.2 | Measurement of main circuit voltages, currents, and powers | 111 |
| 5.2.1 | Measurement of powers | 113 |
| 5.2.2 | Measurement of voltages | 113 |
| 5.2.3 | Measurement of currents | 113 |

| | | |
|-------|---|-----|
| 5.2.4 | Measurement of inverter input power factor | 113 |
| 5.2.5 | Measurement of converter output voltage (across terminals P and N)..... | 113 |
| 5.2.6 | Measurement of inverter output frequency | 113 |
| 5.2.7 | Insulation resistance test using megger | 114 |
| 5.2.8 | Pressure test..... | 114 |

6 SPECIFICATIONS 115

| | | |
|-----|---|-----|
| 6.1 | Inverter rating | 116 |
| 6.2 | Common specifications | 117 |
| 6.3 | Inverter outline dimension drawings | 119 |

APPENDIX 123

| | | |
|------------|--|-----|
| Appendix 1 | Differences and compatibility with the FR-F840 | 124 |
| Appendix 2 | Instructions for compliance with the EU Directives..... | 125 |
| Appendix 3 | Instructions for UL and cUL | 129 |
| Appendix 4 | Instructions for EAC..... | 131 |
| Appendix 5 | Restricted Use of Hazardous Substances in Electronic and Electrical Products | 132 |
| Appendix 6 | Referenced Standard (Requirement of Chinese standardized law) | 133 |
| Appendix 7 | Compliance with the UK certification scheme | 133 |
| Appendix 8 | Compliance with the EU ErP Directive (Ecodesign Directive) | 134 |

MEMO

1 INTRODUCTION

This contents described in this chapter must be read before using this product.

Always read the instructions before using the equipment.

| | | |
|------------|---|-----------|
| 1.1 | Product checking and accessories | 10 |
| 1.2 | Component names | 11 |
| 1.3 | Related manuals | 12 |

<Abbreviations>

Operation panel: LCD operation panel (FR-LU08-01)

Parameter unit: Parameter unit (FR-PU07)

PU: LCD operation panel (FR-LU08-01) and parameter unit (FR-PU07)

Inverter: Mitsubishi Electric inverter FR-F800 series (IP55 compatible model)

Pr.: Parameter number (Number assigned to function)

PU operation: Operation using the PU (operation panel / parameter unit)

External operation: Operation using the control circuit signals

Combined operation: Combined operation using the PU (operation panel / parameter unit) and External operation

Mitsubishi Electric standard motor: SF-JR

Mitsubishi Electric constant-torque motor: SF-HRCA

<Trademarks>

- Company and product names herein are the trademarks and registered trademarks of their respective owners.

<Notes on descriptions in this Instruction Manual>

- Connection diagrams in this Instruction Manual suppose that the control logic of the input terminal is the sink logic, unless otherwise specified. (For the control logic, refer to [page 40.](#))

Harmonic Suppression Guidelines

All the models of the inverters used by specific consumers are covered by "the Harmonic Suppression Guidelines for Consumers Who Receive High Voltage or Special High Voltage". (For details, refer to [page 72.](#))

1.1 Product checking and accessories

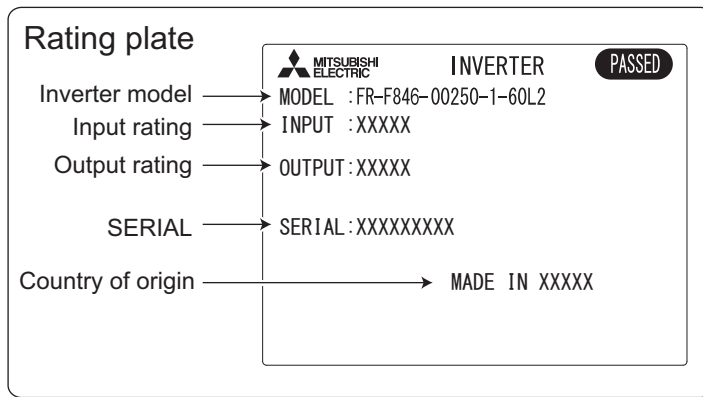
Unpack the product and check the rating plate and the capacity plate of the inverter to ensure that the model agrees with the order and the product is intact.

● Inverter model

| Symbol | Voltage class | Symbol | Structure, functionality | Symbol | Description | Symbol | Type*1 |
|--------|---------------|--------|--------------------------|----------------|---|--------|--------|
| 4 | 400 V class | 6 | IP55 compatible model | 00023 to 03610 | Inverter rated current (SLD rated current of the F800 standard model) (A) | -1 | FM |
| | | | | 0.75K to 160K | Inverter rated capacity (kW) | -2 | CA |

FR - F 8 4 6 - 00250 - 1 - 60 L2

| Symbol | Circuit board coating (conforming to IEC60721-3-3:1994 3C2/3S2) | Plated conductor | Symbol | EMC filter | Operation panel |
|--------|---|------------------|--------|--------------------|-----------------|
| -60 | With | Without | L2 | Built-in C2 filter | FR-LU08-01 |
| -06 | With | With | | | |



*1 Specification differs by the type. Major differences are shown in the table below.

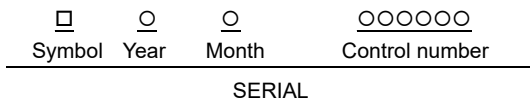
| Type | Monitor output | Initial setting | | | |
|---------------------------------|--|---------------------|---------------|-----------------|---|
| | | Built-in EMC filter | Control logic | Rated frequency | Pr.19 Base frequency voltage |
| FM (terminal FM equipped model) | Terminal FM (pulse train output) Terminal AM (analog voltage output (0 to ±10 VDC)) | ON | Sink logic | 60 Hz | 9999 (same as the power supply voltage) |
| CA (terminal CA equipped model) | Terminal CA (analog current output (0 to 20 mADC)) Terminal AM (analog voltage output (0 to ±10 VDC)) | ON | Source logic | 50 Hz | 8888 (95% of the power supply voltage) |

NOTE

- Hereinafter, the inverter model name consists of the applicable motor capacity and the rated current value (SLD rated current value of the F800 standard model).
(Example) FR-F846-00250(11K)

● How to read the SERIAL number

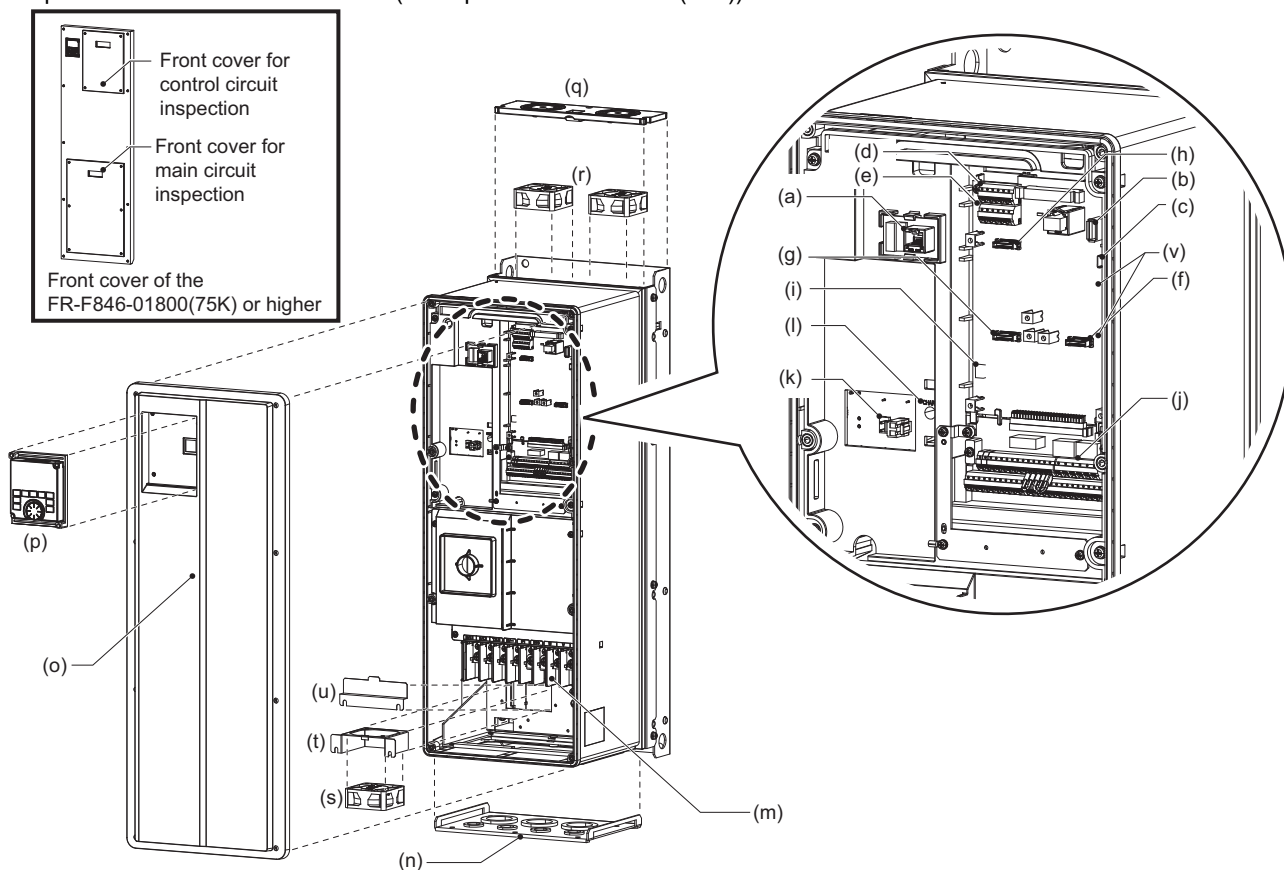
Rating plate example



The SERIAL consists of one symbol, two characters indicating the production year and month, and six characters indicating the control number. The last digit of the production year is indicated as the Year, and the Month is indicated by 1 to 9, X (October), Y (November), or Z (December).

1.2 Component names

Component names are shown below. (Example: FR-F846-00250(11K))



| Symbol | Name | Description | Refer to page |
|--------|---|--|----------------------------------|
| (a) | PU connector | Connects the operation panel or the parameter unit. This connector also enables the RS-485 communication. | 52 |
| (b) | USB A connector | Connects a USB memory device. | 53 |
| (c) | USB mini B connector | Connects a personal computer and enables communication with FR Configurator 2. | 53 |
| (d) | RS-485 terminals | Enables RS-485, MODBUS RTU communication. | 55 |
| (e) | Terminating resistor switch (SW1) | Select whether or not to use the terminating resistor for RS-485 communication. | 55 |
| (f) | Plug-in option connector1 | Connects a plug-in option or a communication option. | Instruction Manual of the option |
| (g) | Plug-in option connector2 | | |
| (h) | Plug-in option connector3 | | |
| (i) | Voltage/current input switch | Selects between voltage and current for the terminal 2 and 4 inputs. | *1 |
| (j) | Control circuit terminal block | Connects cables for the control circuit. | 35 |
| (k) | EMC filter ON/OFF connector | Turns ON/OFF the EMC filter. | 70 |
| (l) | Charge lamp | Stays ON while the power is supplied to the main circuit. | 27 |
| (m) | Main circuit terminal block | Connects cables for the main circuit. | 27 |
| (n) | Wiring cover | Remove the protective bushes to connect cables. (FR-F846-00470(22K) or lower) | 17 |
| (o) | Front cover | Remove this cover for the installation of the product, installation of a plug-in (communication) option, RS-485 terminal wiring, switching of the voltage/current input switch, etc. For the FR-F846-01800(75K) or higher, the front cover for the control circuit inspection and the front cover for the main circuit inspection can be individually removed. | 17 |
| (p) | Operation panel (FR-LU08-01) | Operates and monitors the inverter. | 49 |
| (q) | Fan cover | Remove this cover for replacement of the cooling fan. (FR-F846-00250(11K) or higher) | 91 |
| (r) | Cooling fan | Cools the inverter. (FR-F846-00250(11K) or higher) | 91 |
| (s) | Internal fan | Cools the inverter. | 97 |
| (t) | Bracket | Fixes the internal fan. | 97 |
| (u) | Protective cover | Protects the fan to avoid contacting the wiring. (FR-F846-00250(11K) to 00470(22K)) | 98 |
| (v) | Switches for manufacturer setting (SW3 and SW4) | Do not change the initial setting (OFF ON). | — |

*1 Refer to the FR-F800 Instruction Manual (Detailed)

1.3 Related manuals

Manuals related to the FR-F806-L2 inverter are shown in the following table.

| Name | Manual number |
|---|----------------|
| FR-F800 Instruction Manual (Detailed) | IB-0600547ENG |
| FR Configurator 2 Instruction Manual | IB-0600516ENG |
| PLC function programming manual | IB-0600492ENG |
| FR-LU08(-01) Instruction Manual | IB-0600539ENG |
| Safety stop function instruction manual | BCN-A23228-001 |

2 **INSTALLATION AND WIRING**

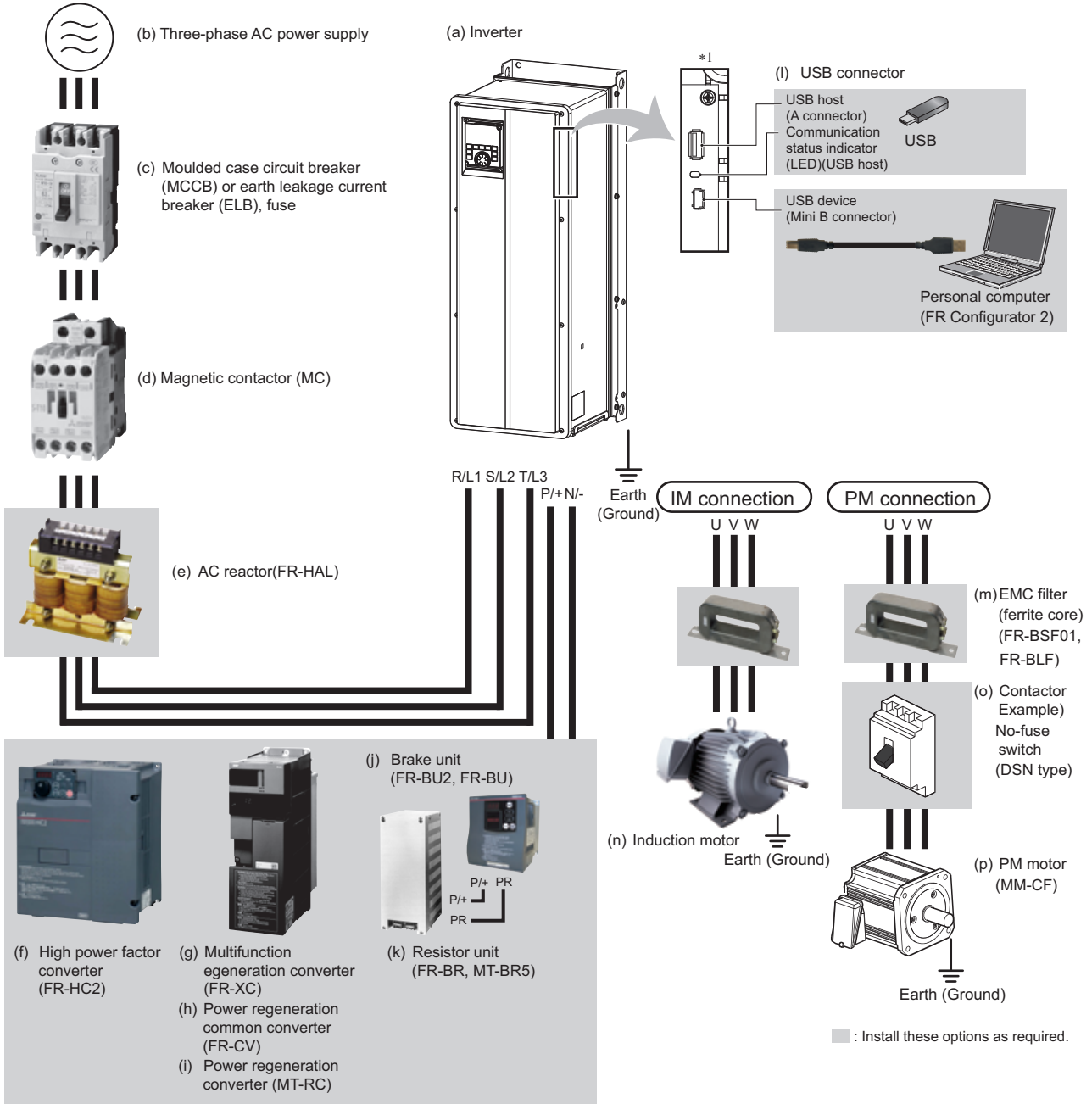
This chapter explains the "INSTALLATION" and the "WIRING" of this product.

Always read the instructions before using the equipment.

| | | |
|------------|---|-----------|
| 2.1 | Peripheral devices | 14 |
| 2.2 | Removal and reinstallation of the front cover..... | 17 |
| 2.3 | Installation of the inverter | 20 |
| 2.4 | Terminal connection diagrams | 23 |
| 2.5 | Main circuit terminals | 27 |
| 2.6 | Control circuit | 35 |
| 2.7 | Operation panel (FR-LU08-01) | 49 |
| 2.8 | Communication connectors and terminals | 52 |
| 2.9 | Connection of stand-alone option units | 56 |

2.1 Peripheral devices

2.1.1 Inverter and peripheral devices



*1 The figure shows the area when the front cover is removed.

 **NOTE**

- To prevent an electric shock, always earth (ground) the motor and inverter.
- Do not install a power factor correction capacitor or surge suppressor or capacitor type filter on the inverter's output side. Doing so will cause the inverter to trip or the capacitor and surge suppressor to be damaged. If any of the above devices is connected, immediately remove it. When installing a molded case circuit breaker on the output side of the inverter, contact the manufacturer of the molded case circuit breaker.
- Electromagnetic wave interference
The input/output (main circuit) of the inverter includes high frequency components, which may interfere with the communication devices (such as AM radios) used near the inverter. In this case, activating the EMC filter may minimize interference. (Refer to [page 70](#).)
- For details of options and peripheral devices, refer to the respective Instruction Manual.
- A PM motor cannot be driven by the commercial power supply.
- A PM motor is a motor with permanent magnets embedded inside. High voltage is generated at the motor terminals while the motor is running. Before closing the contactor at the output side, make sure that the inverter power is ON and the motor is stopped.

| Symbol | Name | Overview | Refer to page |
|--------|--|---|--|
| (a) | Inverter (FR-F806) | The life of the inverter is influenced by the ambient temperature. The ambient temperature should be as low as possible within the permissible range. Incorrect wiring may lead to damage of the inverter. The control signal lines must be kept fully away from the main circuit lines to protect them from noise. The built-in EMC filter can reduce the noise. In this inverter, a DC reactor and common mode choke are built in to suppress harmonics and to improve the power factor. | 20 23 70 |
| (b) | Three-phase AC power supply | Must be within the permissible power supply specifications of the inverter. | 116 |
| (c) | Molded case circuit breaker (MCCB), earth leakage circuit breaker (ELB), or fuse | Must be selected carefully since an inrush current flows in the inverter at power ON. | 16 |
| (d) | Magnetic contactor (MC) | Install this to ensure safety. Do not use this to start and stop the inverter. Doing so will shorten the life of the inverter. | 75 |
| (e) | AC reactor (FR-HAL) | Install this to suppress harmonics and to improve the power factor. An AC reactor (FR-HAL) (option) is required when installing the inverter near a large power supply system (1000 kVA or more). Under such condition, the inverter may be damaged if you do not use a reactor. Select a reactor according to the applied motor capacity. | 74 |
| (f) | High power factor converter (FR-HC2) | Suppresses the power supply harmonics significantly. Install this as required. | 60 |
| (g) | Multifunction regeneration converter (FR-XC)*1 | Provides a large braking capability. Install this as required. | 60 |
| (h) | Power regeneration common converter (FR-CV)*1 | | 63 |
| (i) | Power regeneration converter (MT-RC)*1 | | 64 |
| (j) | Brake unit (FR-BU2, FR-BU, BU)*1 | Allows the inverter to provide the optimal regenerative braking capability. Install this as required. | 56 |
| (k) | Resistor unit (FR-BR, MT-BR5)*1 | | |
| (l) | USB connection | The inverter can be connected to a personal computer with a USB (Ver. 1.1) cable. Parameter setting and monitoring can be performed by FR Configurator 2. A USB memory device enables parameter copies and the trace function. | 53 |
| (m) | Noise filter (FR-BSF01, FR-BLF) | Install this to reduce the electromagnetic noise generated from the inverter. The noise filter is effective in the range from about 0.5 MHz to 5 MHz. A wire should be wound four turns at maximum. | 68 |
| (n) | Induction motor | Connect a squirrel-cage induction motor. | — |
| (o) | Contactor Example) No-fuse switch (DSN type) | Connect this for an application where a PM motor is driven by the load even while the inverter power is OFF. Do not open or close the contactor while the inverter is running (outputting). | — |
| (p) | PM motor | When PM motor control is selected, a PM motor can be driven. | — |

*1 To select a stand-alone option, refer to the Instruction Manual of each option.

2.1.2 Peripheral devices

Check the model of the inverter you purchased. Appropriate peripheral devices must be selected according to the capacity. Refer to the table below to prepare appropriate peripheral devices.

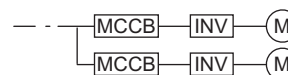
| Motor output (kW) *1 | Applicable inverter model | Molded case circuit breaker (MCCB) *2 or earth leakage circuit breaker (ELB) (NF, NV type) | Input-side magnetic contactor *3 |
|----------------------|---------------------------|--|----------------------------------|
| 0.75 | FR-F846-00023(0.75K) | 5 A | S-T10 |
| 1.5 | FR-F846-00038(1.5K) | 10 A | S-T10 |
| 2.2 | FR-F846-00052(2.2K) | 10 A | S-T10 |
| 3.7 | FR-F846-00083(3.7K) | 15 A | S-T10 |
| 5.5 | FR-F846-00126(5.5K) | 20 A | S-T12 |
| 7.5 | FR-F846-00170(7.5K) | 30 A | S-T21 |
| 11 | FR-F846-00250(11K) | 40 A | S-T21 |
| 15 | FR-F846-00310(15K) | 50 A | S-T21 |
| 18.5 | FR-F846-00380(18.5K) | 60 A | S-T35 |
| 22 | FR-F846-00470(22K) | 75 A | S-T35 |
| 30 | FR-F846-00620(30K) | 100 A | S-T50 |
| 37 | FR-F846-00770(37K) | 100 A | S-T50 |
| 45 | FR-F846-00930(45K) | 125 A | S-T65 |
| 55 | FR-F846-01160(55K) | 150 A | S-T100 |
| 75 | FR-F846-01800(75K) | 200 A | S-T100 |
| 90 | FR-F846-02160(90K) | 225 A | S-N150 |
| 110 | FR-F846-02600(110K) | 225 A | S-N180 |
| 132 | FR-F846-03250(132K) | 350 A | S-N220 |
| 160 | FR-F846-03610(160K) | 400 A | S-N300 |

*1 Assumes the use of a Mitsubishi Electric standard 4-pole motor with the power supply voltage of 400 VAC 50 Hz.

*2 Select an MCCB according to the power supply capacity.

Install one MCCB per inverter.

For the use in the United States or Canada, refer to [page 129](#), and select an appropriate fuse or molded case circuit breaker (MCCB).



*3 Magnetic contactor is selected based on the AC-1 class. The electrical durability of magnetic contactor is 500,000 times. When the magnetic contactor is used for emergency stops during motor driving, the electrical durability is 25 times.

If using an MC for emergency stop during motor driving, select an MC regarding the inverter input side current as JEM1038-AC-3 class rated current. When providing an MC on the inverter output side for switching to commercial power supply during general-purpose motor operation, select an MC regarding the rated motor current as JEM1038-AC-3 class rated current.

NOTE

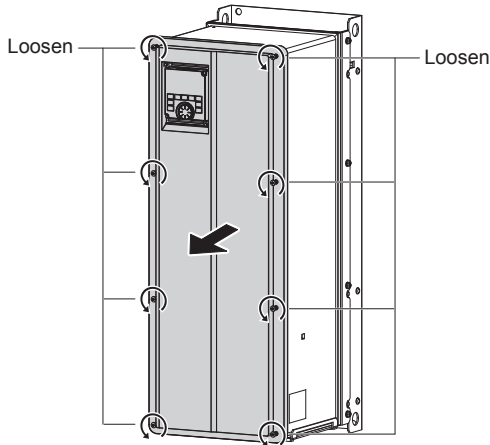
- When the inverter capacity is larger than the motor capacity, select an MCCB and a magnetic contactor according to the inverter model, and select cables and reactors according to the motor output.
- When the breaker on the inverter's input side trips, check for the wiring fault (short circuit), damage to internal parts of the inverter etc. The cause of the trip must be identified and removed before turning ON the power of the breaker.

2.2 Removal and reinstallation of the front cover

◆ Removal of the front cover

- Remove the front cover installation screws to remove the front cover. (For the FR-F846-00620(30K) to 01160(55K), remove the operation panel before removing the front cover.)

| Inverter | Screw type | Screw size | Screwdriver size |
|------------------------------|-------------------|------------|------------------|
| FR-F846-00470(22K) or lower | Hexalobular screw | M4 | T20 |
| FR-F846-00620(30K) or higher | | M5 | T25 |

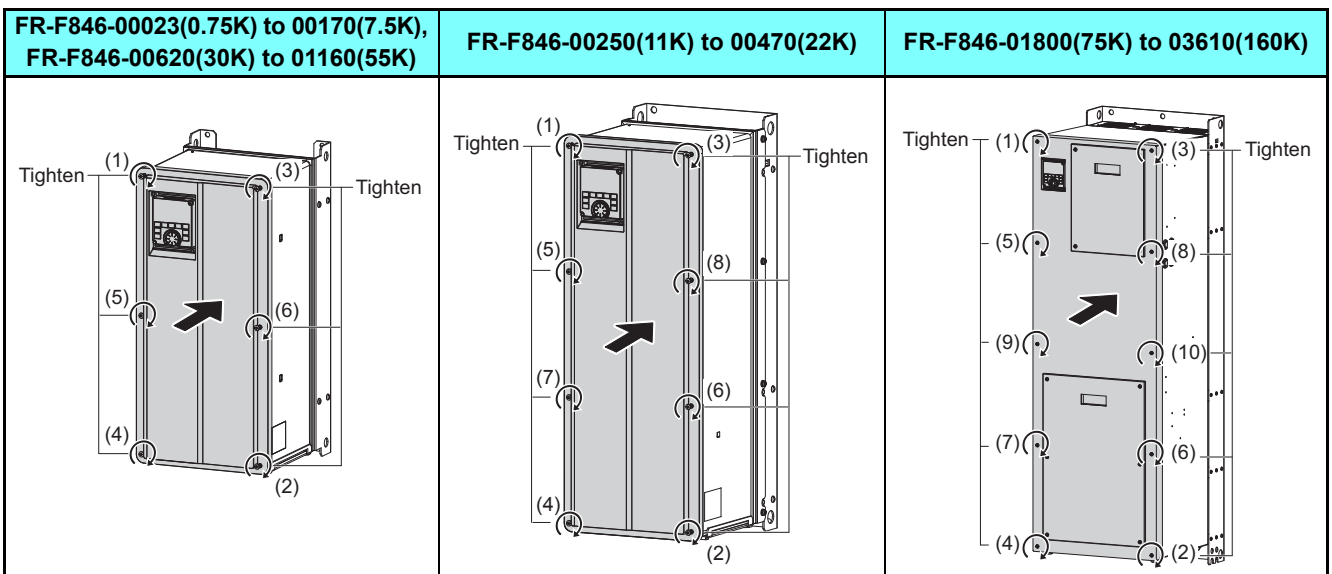


◆ Reinstallation of the front cover

- Fix the front cover with the front cover installation screws. (For the FR-F846-00620(30K) to 01160(55K), install the front cover while the operation panel is removed.)

| Inverter | Tightening torque |
|------------------------------|-------------------|
| FR-F846-00470(22K) or lower | 1.4 to 1.9 N·m |
| FR-F846-00620(30K) or higher | 2.8 to 3.6 N·m |

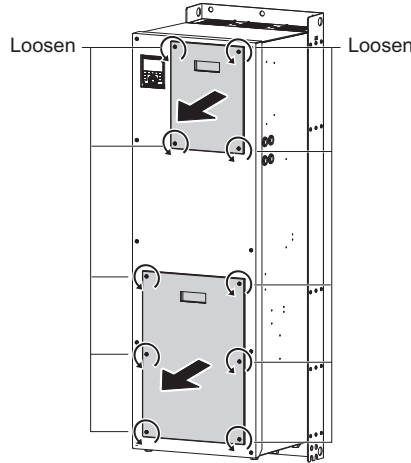
Tighten the front cover installation screws in the numerical order in the figure shown below.



◆ Removal of the front cover for control circuit inspection and the front cover for main circuit inspection (FR-F846-01800(75K) or higher)

- Remove the installation screws to remove the front cover for control circuit inspection and/or the front cover for main circuit inspection.

| Front cover | Screw type | Screw size | Screwdriver size |
|--------------------------------|-------------------|------------|------------------|
| For control circuit inspection | Hexalobular screw | M5 | T25 |
| For main circuit inspection | | | |

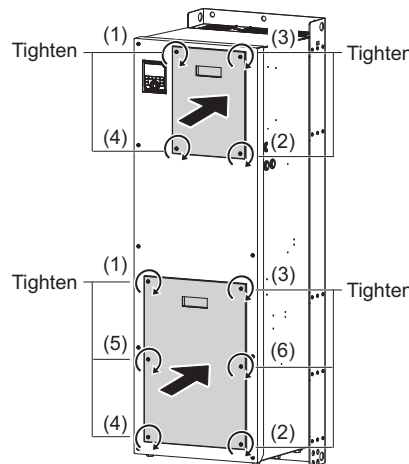


◆ Installation of the front cover for control circuit inspection and the front cover for main circuit inspection (FR-F846-01800(75K) or higher)

- Fix the covers with the installation screws.

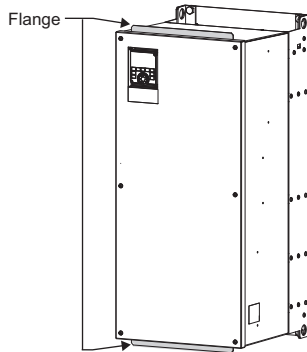
| Front cover | Tightening torque |
|--------------------------------|-------------------|
| For control circuit inspection | 2.8 to 3.6 N·m |
| For main circuit inspection | |

To install the front cover for control circuit inspection and/or the front cover for main circuit inspection, tighten the installation screws in the numerical order in the figure shown below.



NOTE

- When installing the front cover for the FR-F846-00470(22K) or lower, fit the connector of the operation panel securely along the guides of the PU connector. Otherwise, the operation panel connection connector or the PU connector may be damaged.
- For the FR-F846-00620(30K) or more, before removing/installing the front cover, always remove the operation panel. Otherwise, the operation panel connection connector or the PU connector may be damaged.
- When removing/installing the front cover of the FR-F846-00620(30K) to 01160(55K), always hold the front cover at the flange sections. Otherwise, the front cover may fall off, resulting in damage or injuries.



- Before installing the front cover, check the waterproof gasket to make sure that it is not damaged. If it is damaged, contact the nearest Mitsubishi Electric FA center.
- Securely install the front cover to fit the waterproof gasket closely. Do not let the waterproof gasket get stuck between the front cover edge and the inverter. Otherwise, water may get into the inverter. Also, do not let any foreign matter get stuck between the waterproof gasket and the front cover.
- Keep the waterproof gasket of the inverter clean. Otherwise, water may get into the inverter. If there is any dirt on the gasket, make sure to remove it.
- Fully make sure that the front cover is installed securely. Always tighten the mounting screws of the front cover.

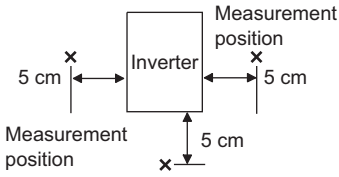
2.3 Installation of the inverter

An inverter unit uses many semiconductor devices. To ensure higher reliability and long period of operation, operate the inverter in the ambient environment that completely satisfies the equipment specifications.

2.3.1 Inverter installation environment

The following table lists the standard specifications of the inverter installation environment. Using the inverter in an environment that does not satisfy the conditions deteriorates the performance, shortens the life, and causes a failure. Refer to the following points, and take adequate measures.

◆ Standard environmental specifications of the inverter

| Item | Description |
|---------------------|---|
| Ambient temperature | -10 to +40°C (non-freezing)  |
| Ambient humidity | 95% RH or less (non-condensing) |
| Storage temperature | -20 to +65°C*1 |
| Atmosphere | Indoors (free from corrosive gas, flammable gas, oil mist, dust and dirt) |
| Altitude | Maximum 2,500 m*2 |
| Vibration | 5.9 m/s ² *3 or less at 10 to 55 Hz (directions of X, Y, Z axes) |

*1 Temperature applicable for a short time, e.g. in transit.

*2 For the installation at an altitude above 1000 m, consider a 3% reduction in the rated current per 500 m increase in altitude.

*3 2.9 m/s² or less for the FR-F846-01800(75K) or higher.

◆ Temperature

The permissible ambient temperature of the inverter is between -10°C and +40°C. Always operate the inverter within this temperature range. Operation outside this range will considerably shorten the service lives of the semiconductors, parts, capacitors and others. Take the following measures to keep the ambient temperature of the inverter within the specified range.

(a) Measures against high temperature

- Ventilate the room.
- Install the inverter in an air-conditioned electric chamber.
- Block direct sunlight.
- Provide a shield or similar plate to avoid direct exposure to the radiated heat and wind of a heat source.
- Ventilate the area around the inverter well.

(b) Measures against low temperature

- Provide a heater around the inverter.
- Do not power OFF the inverter. (Keep the start signal of the inverter OFF.)

(c) Sudden temperature changes

- Select an installation place where temperature does not change suddenly.
- Avoid installing the inverter near the air outlet of an air conditioner.
- If temperature changes are caused by opening/closing of a door, install the inverter away from the door.

◆ Humidity

Operate the inverter within the ambient air humidity of usually 45 to 90%. Too high humidity will pose problems of reduced insulation and metal corrosion. On the other hand, too low humidity may cause a spatial electrical breakdown.

The insulation distance defined in JEM1103 "Control Equipment Insulator" is humidity of 45 to 85%.

(a) Measures against high humidity

- Provide dry air into the room from outside.
- Use a dehumidifier.

(b) Measures against low humidity

Air with proper humidity can be blown into the room from outside. Also when installing or inspecting the unit, discharge your body (static electricity) beforehand, and keep your body away from the parts and patterns.

(c) Measures against condensation

Condensation may occur if frequent operation stops change the in-room temperature suddenly or if the outside air temperature changes suddenly.

Condensation causes such faults as reduced insulation and corrosion.

- Take the measures against high humidity in (a).
- Do not power OFF the inverter. (Keep the start signal of the inverter OFF.)

◆ Dust, dirt, oil mist

Dust and dirt will cause faults such as poor contacts, reduction in insulation and cooling effect due to accumulation of moisture-absorbed dust and dirt, and equipment internal temperature rise due to a clogged ventilation filter in the room where the equipment is installed. In an atmosphere where conductive powder floats, dust and dirt will cause such faults as malfunction, deteriorated insulation and short circuit in a short time.

Since oil mist will cause similar conditions, it is necessary to take adequate measures.

Countermeasure

- Purge air.
Pump clean air from outside to make the in-enclosure air pressure higher than the outside air pressure.

◆ Corrosive gas, salt damage

If the inverter is exposed to corrosive gas or to salt near a beach, the printed board patterns and parts will corrode or the relays and switches will result in poor contact.

In such a place, take the countermeasures described in "Dust, dirt, oil mist" above.

◆ Explosive, flammable gases

As the inverter is non-explosion proof, it must be contained in an explosion-proof enclosure. In places where explosion may be caused by explosive gas, dust or dirt, an enclosure cannot be used unless it structurally complies with the guidelines and has passed the specified tests. This makes the enclosure itself expensive (including the test charges). The best way is to avoid installation in such places and install the inverter in a non-hazardous place.

◆ High altitude

Use the inverter at an altitude of within 2500 m. For the installation at an altitude above 1,000 m up to 2,500 m, derate the rated current 3% per 500 m.

If it is used at a higher place, it is likely that thin air will reduce the cooling effect and low air pressure will deteriorate dielectric strength.

◆ Vibration, impact

The vibration resistance of the inverter is up to 5.9 m/s^2 (2.9 m/s^2 or less for the FR-F846-01800(75K) or higher) at 10 to 55 Hz frequency and 1 mm amplitude for the directions of X, Y, Z axes. Applying vibration and impacts for a long time may loosen the structures and cause poor contacts of connectors, even if those vibration and impacts are within the specified values. Especially when impacts are applied repeatedly, caution must be taken because such impacts may break the installation feet.

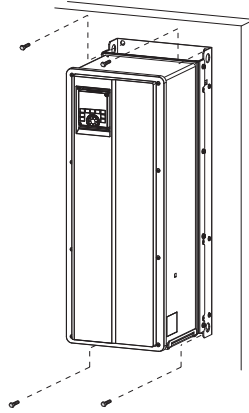
Countermeasure

- Strengthen the structure to prevent the installation surface from resonance.
- Install the inverter away from the sources of the vibration.

2.3.2 Inverter installation

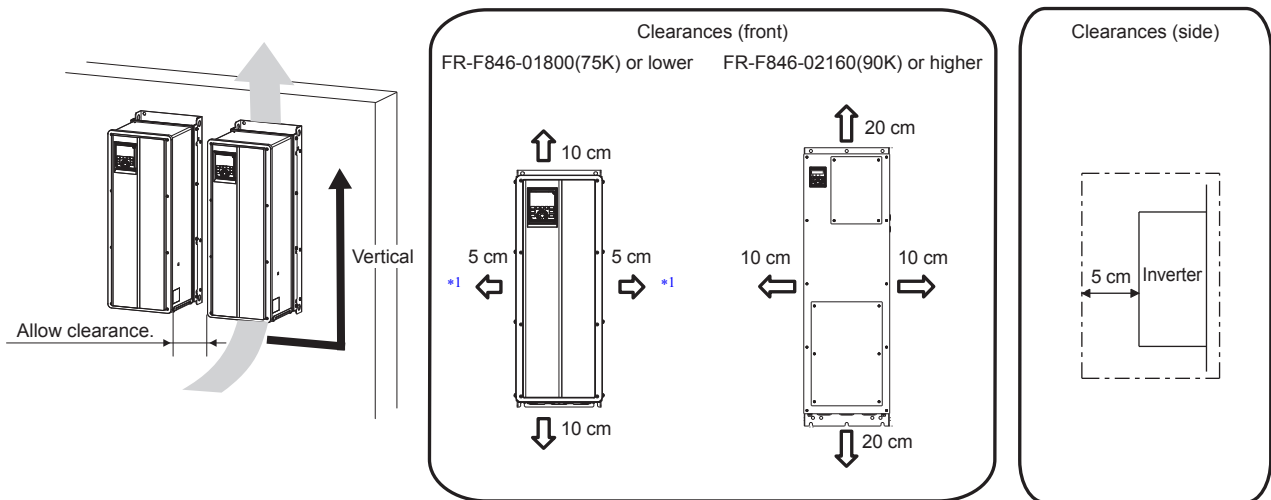
◆ Inverter placement

- Install the inverter on a strong flat surface securely with screws.



Fix six positions for the FR-F846-01800(75K) or higher.

- Leave enough clearances and take cooling measures.
- Avoid places where the inverter is subjected to direct sunlight, high temperature and high humidity.
- Install the inverter on a nonflammable wall surface.
- For heat dissipation and maintenance, keep clearance between the inverter and the other devices. The clearance below the inverter is required as a wiring space, and the clearance above the inverter is required as a heat dissipation space.
- When designing or building an enclosure for the inverter, carefully consider influencing factors such as heat generation of the contained devices and the operating environment.



*1 For the FR-F846-00126(5.5K) or lower, allow 1 cm or more clearance.

◆ Installation orientation of the inverter

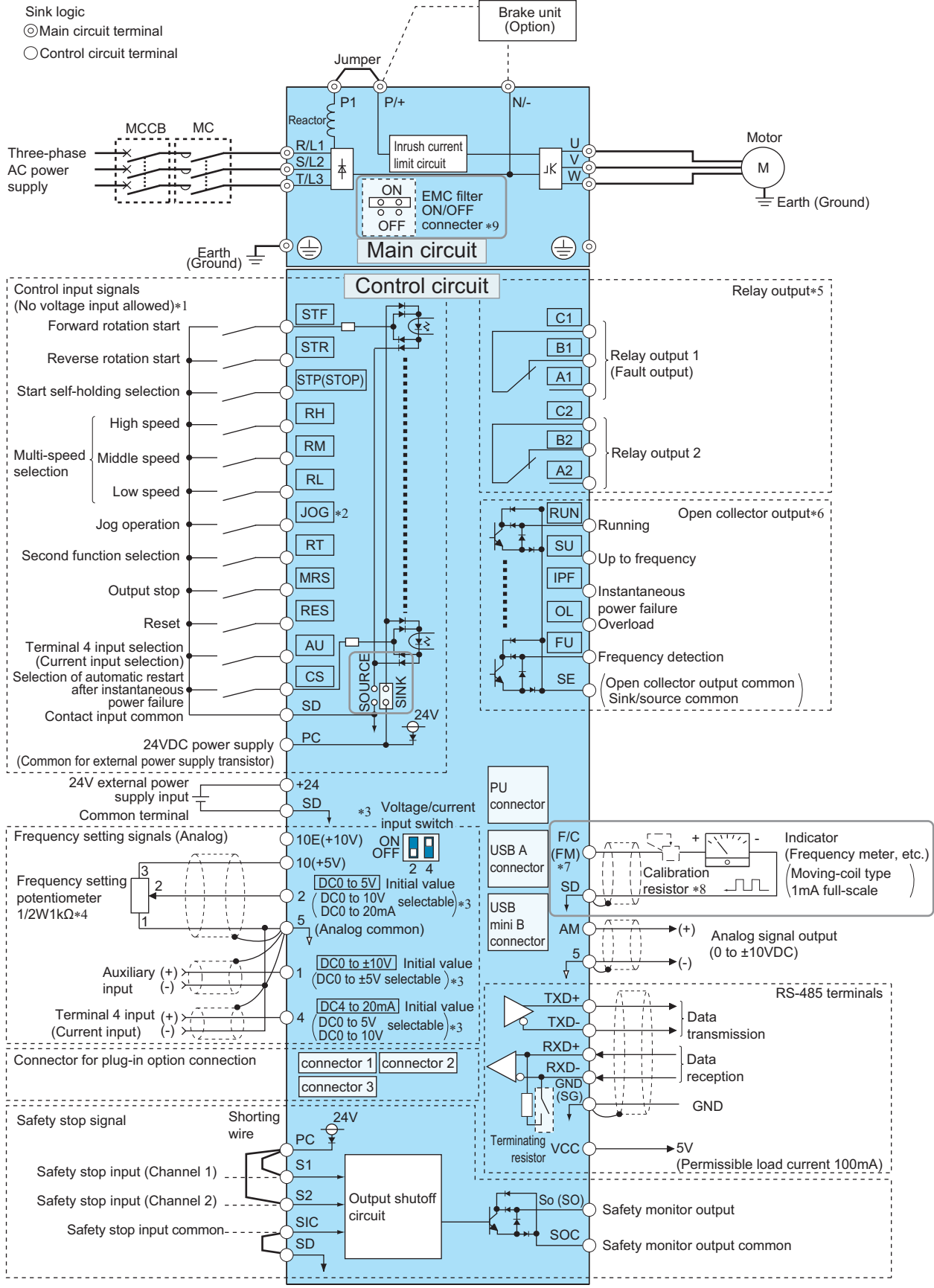
Install the inverter on a wall as specified. Do not mount it horizontally or in any other way.

◆ Above the inverter

Heat is blown up from inside the inverter by the small fan built in the unit. Any equipment placed above the inverter should be heat resistant.

2.4 Terminal connection diagrams

◆ FM type



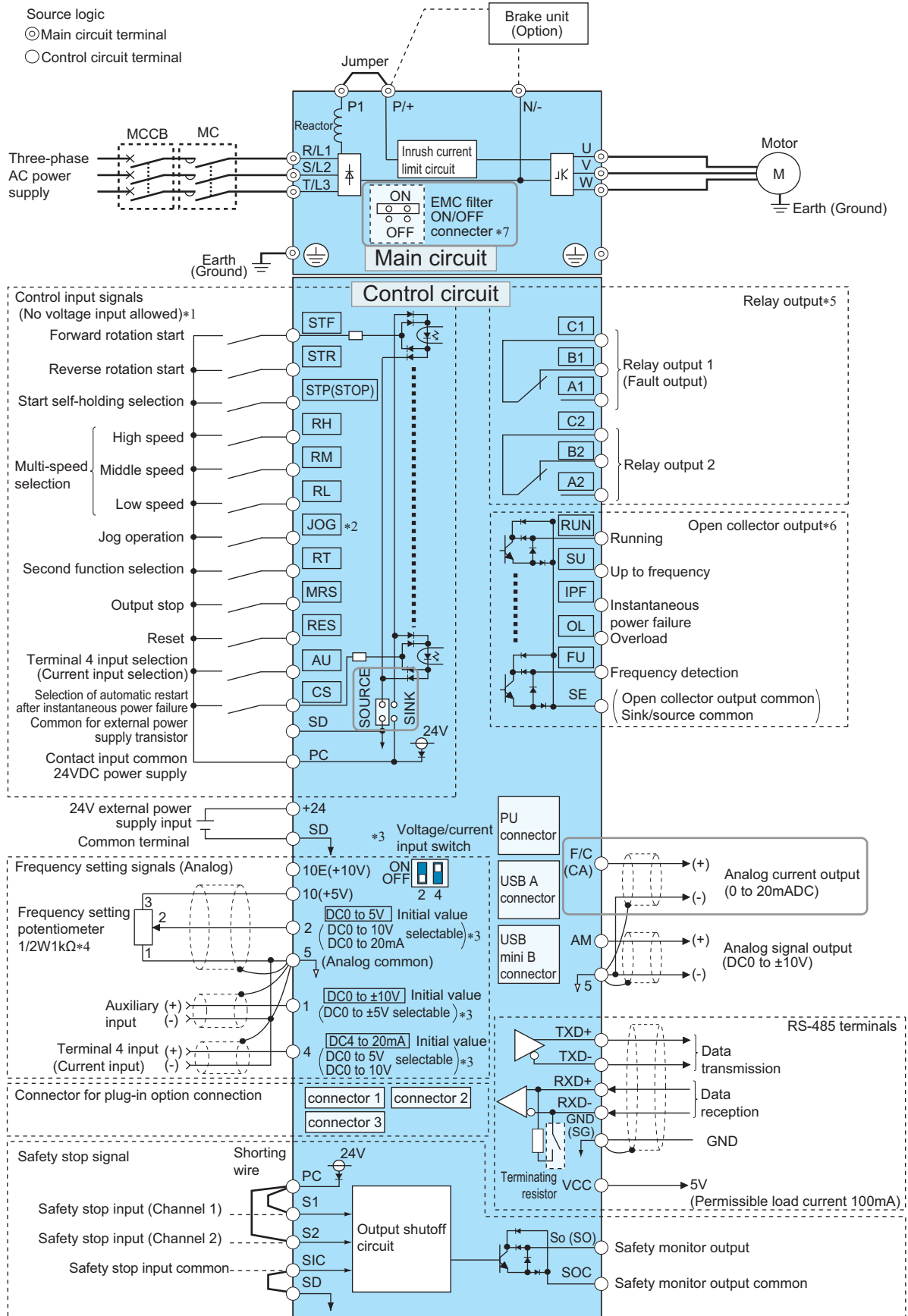
Terminal connection diagrams

- *1 The function of these terminals can be changed with the input terminal assignment (**Pr.178 to Pr.189**). (Refer to the FR-F800 Instruction Manual (Detailed).)
- *2 Terminal JOG is also used as a pulse train input terminal. Use **Pr.291** to choose JOG or pulse.
- *3 Terminal input specifications can be changed by analog input specification switchover (**Pr.73, Pr.267**). To input a voltage, set the voltage/current input switch OFF. To input a current, set the voltage/current input switch ON. Terminals 10 and 2 are also used as a PTC input terminal. (**Pr.561**) (Refer to the FR-F800 Instruction Manual (Detailed).)
- *4 It is recommended to use 2 W 1 k Ω when the frequency setting signal is changed frequently.
- *5 The function of these terminals can be changed with the output terminal assignment (**Pr.195, Pr.196**). (Refer to the FR-F800 Instruction Manual (Detailed).)
- *6 The function of these terminals can be changed with the output terminal assignment (**Pr.190 to Pr.194**). (Refer to the FR-F800 Instruction Manual (Detailed).)
- *7 The terminal FM can be used to output pulse trains as open collector output by setting **Pr.291**.
- *8 Not required when calibrating the scale with the operation panel.
- *9 Do not change the initially set ON (enabled) position of the EMC filter ON/OFF connector in the case of the inverter. The Class C2 compatibility condition is not satisfied with the EMC filter OFF. The FR-F846-00250(11K)-L2 to FR-F846-00470(22K)-L2 are not provided with the EMC filter ON/OFF connector. The EMC filter is always ON.

NOTE

- To prevent a malfunction due to noise, keep the signal cables 10 cm or more away from the power cables. Also, separate the main circuit cables at the input side from the main circuit cables at the output side.
- After wiring, wire offcuts must not be left in the inverter.
Wire offcuts can cause an alarm, failure or malfunction. Always keep the inverter clean.
When drilling mounting holes in a wall or the side of the enclosure etc., take caution not to allow chips and other foreign matters to enter the inverter.
- Set the voltage/current input switch correctly. Incorrect setting may cause a fault, failure or malfunction.

◆ CA type



Terminal connection diagrams


- *1 The function of these terminals can be changed with the input terminal assignment (**Pr.178 to Pr.189**). (Refer to the FR-F800 Instruction Manual (Detailed).)
- *2 Terminal JOG is also used as a pulse train input terminal. Use **Pr.291** to choose JOG or pulse.
- *3 Terminal input specifications can be changed by analog input specification switchover (**Pr.73, Pr.267**). To input a voltage, set the voltage/current input switch OFF. To input a current, set the voltage/current input switch ON. Terminals 10 and 2 are also used as a PTC input terminal. (**Pr.561**) (Refer to the FR-F800 Instruction Manual (Detailed).)
- *4 It is recommended to use 2 W 1 k Ω when the frequency setting signal is changed frequently.
- *5 The function of these terminals can be changed with the output terminal assignment (**Pr.195, Pr.196**). (Refer to the FR-F800 Instruction Manual (Detailed).)
- *6 The function of these terminals can be changed with the output terminal assignment (**Pr.190 to Pr.194**). (Refer to the FR-F800 Instruction Manual (Detailed).)
- *7 Do not change the initially set ON (enabled) position of the EMC filter ON/OFF connector in the case of the inverter. The Class C2 compatibility condition is not satisfied with the EMC filter OFF. The FR-F846-00250(11K)-L2 to FR-F846-00470(22K)-L2 are not provided with the EMC filter ON/OFF connector. The EMC filter is always ON.

NOTE

- To prevent a malfunction due to noise, keep the signal cables 10 cm or more away from the power cables. Also, separate the main circuit cables at the input side from the main circuit cables at the output side.
- After wiring, wire offcuts must not be left in the inverter.
Wire offcuts can cause an alarm, failure or malfunction. Always keep the inverter clean.
When drilling mounting holes in a wall or the side of the enclosure etc., take caution not to allow chips and other foreign matters to enter the inverter.
- Set the voltage/current input switch correctly. Incorrect setting may cause a fault, failure or malfunction.

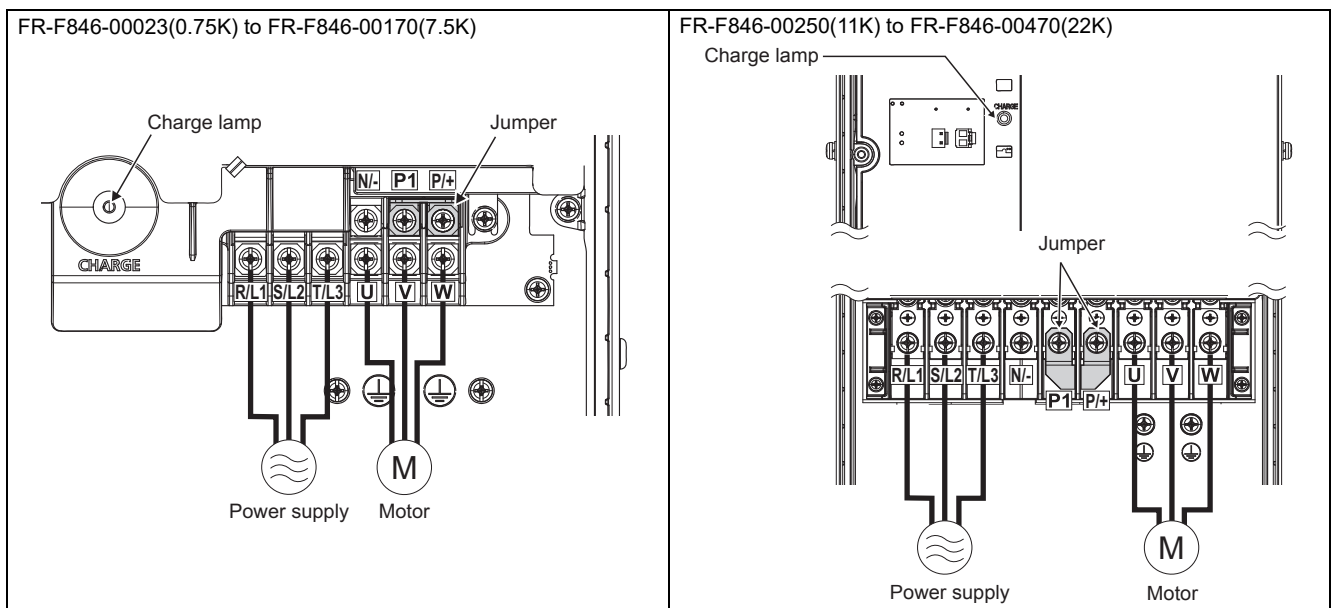
2.5 Main circuit terminals

2.5.1 Details on the main circuit terminals

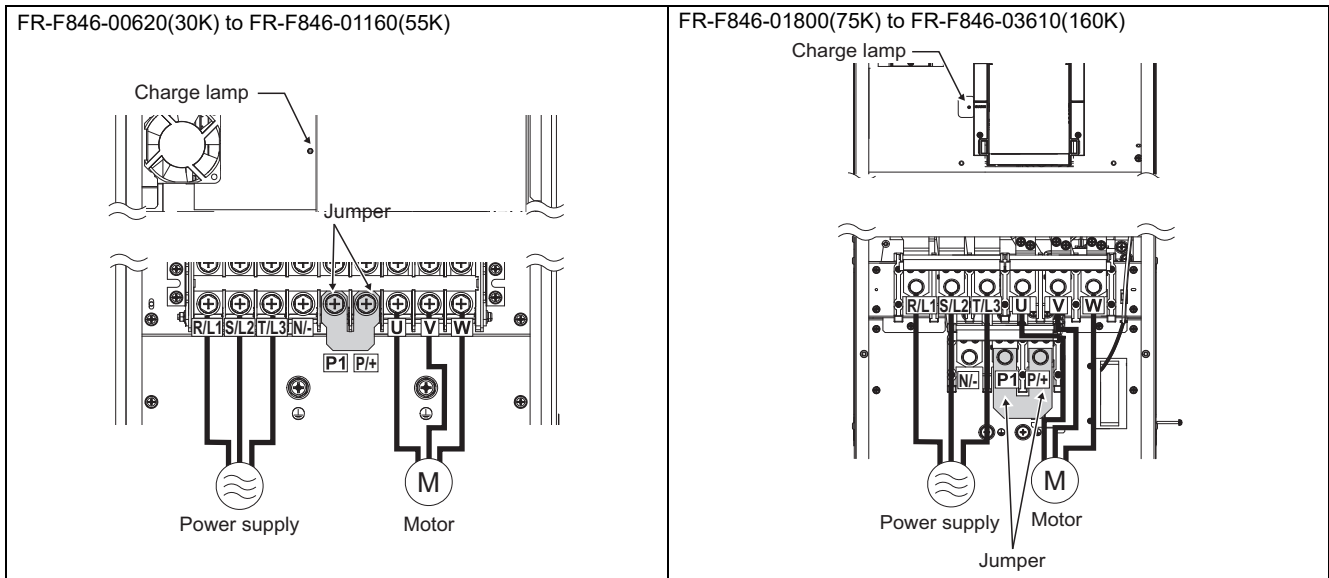
| Terminal symbol | Terminal name | Terminal function description | Refer to page |
|---|-----------------------|--|---------------|
| R/L1, S/L2, T/L3 | AC power input | Connect these terminals to the commercial power supply. Do not connect anything to these terminals when using the high power factor converter (FR-HC2), multifunction regeneration converter (FR-XC)*1, or power regeneration common converter (FR-CV). | — |
| U, V, W | Inverter output | Connect these terminals to a three-phase squirrel cage motor or a PM motor. | — |
| P/+, N/- | Brake unit connection | Connect the brake unit (FR-BU2, FR-BU, BU), power regeneration common converter (FR-CV), power regeneration converter (MT-RC), high power factor converter (FR-HC2), multifunction regeneration converter (FR-XC), or DC power supply (under DC feeding mode). | 56 |
| P/+, P1 | — | Do not remove the jumper across terminals P/+ and P1 except for connecting the power regeneration common converter (FR-CV), the high power factor converter (FR-HC2), or multifunction regeneration converter (FR-XC) *1. | — |
|  | Earth (ground) | For earthing (grounding) the inverter chassis. This must be earthed (grounded). | 34 |

*1 Available when used in the common bus regeneration mode

2.5.2 Terminal layout of the main circuit terminals, wiring of power supply and the motor



Main circuit terminals

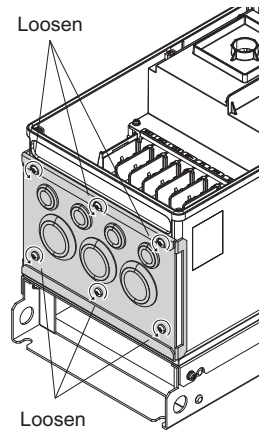


NOTE

- Make sure the power cables are connected to the R/L1, S/L2, and T/L3. (Phase need not be matched.) Never connect the power cable to the U, V, and W of the inverter. Doing so will damage the inverter.
- Connect the motor to U, V, and W. The phase need to be matched.

2.5.3 Wiring method

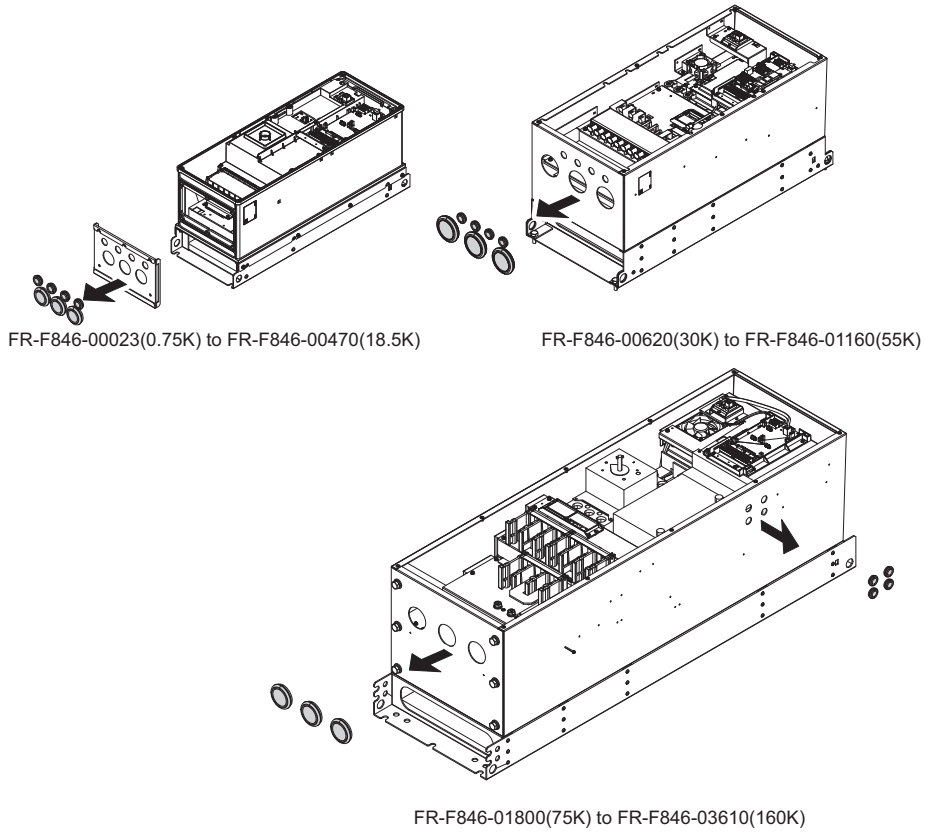
- (1) Remove the front cover of the inverter. (Refer to [page 17](#))
- (2) For the FR-F846-00470(22K) or lower, remove the wiring cover installation screws (hexalobular screws, screw size: M5, screwdriver size: T25, tightening torque: 2.8 to 3.6 N·m) to remove the wiring cover.



Example of the FR-F846-00250(11K)

- (3) For the FR-F846-00470(22K) or lower, remove the protective bushes from the wiring cover.
For the FR-F846-00620(30K) to FR-F846-01160(55K), remove the protective bushes from the bottom of the inverter.
For the FR-F846-01800(75K) or higher, remove the protective bushes from the bottom and the side of the inverter.

(Do not remove the protective bushes from the holes that are not used for wiring of cables.)



NOTE

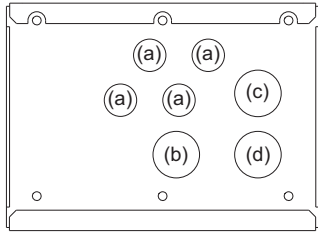
- For the FR-F846-01800(75K) or higher, do not remove the screws on the bottom of the inverter. The IPX5 waterproof performance may be impaired.

Main circuit terminals

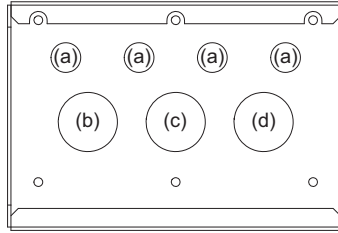
(4) Fix the cables using a cable gland and a nut, according to the diameter of the holes.

For the details such as hole diameters and recommended cable glands, refer to the following table.

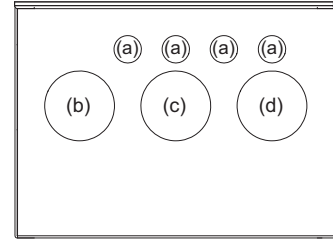
FR-F846-00023(0.75K) to 00170(7.5K)



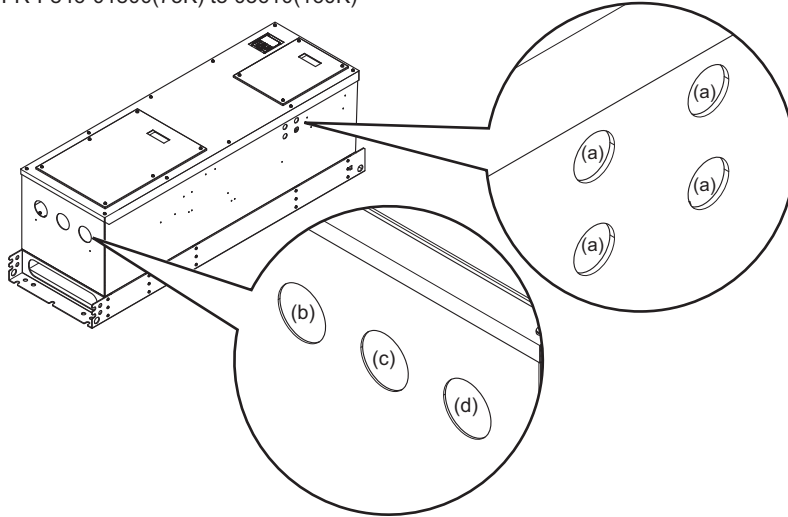
FR-F846-00250(11K) to 00470(22K)



FR-F846-00620(30K) to 01160(55K)



FR-F846-01800(75K) to 03610(160K)



| Inverter capacity | Symbol | Recommended layout example | Hole diameter (mm) | Recommended cable gland (Manufactured by LAPP KABEL) | Recommended nut (Manufactured by LAPP KABEL) |
|-------------------------------------|--------|------------------------------|--------------------|---|--|
| FR-F846-00023(0.75K) to 00170(7.5K) | (a) | Control circuit wiring | 20.3 | SKINTOP MS-SC-M20 53112630 *1 SKINTOP MS-M20 53112020 *2 | SKINDICHT SM-M20 52103020 |
| | (b) | AC power input wiring | 32.3 | SKINTOP MS-SC-M32 53112650 *1 SKINTOP MS-M32 BRUSH 53112677 *1 SKINTOP MS-M32 53112040 *2 | SKINDICHT SM-M32 52103040 |
| | (c) | Brake unit connection wiring | | | |
| | (d) | Inverter output wiring | | | |
| FR-F846-00250(11K) to 00470(22K) | (a) | Control circuit wiring | 20.3 | SKINTOP MS-SC-M20 53112630 *1 SKINTOP MS-M20 53112020 *2 | SKINDICHT SM-M32 52103020 |
| | (b) | AC power input wiring | 40.4 | SKINTOP MS-SC-M40 53112660 *1 SKINTOP MS-M40 BRUSH 53112678 *1 SKINTOP MS-M40 53112050 *2 | SKINDICHT SM-M40 52103050 |
| | (c) | Brake unit connection wiring | | | |
| | (d) | Inverter output wiring | | | |
| FR-F846-00620(30K) to 02600(110K) | (a) | Control circuit wiring | 20.3 | SKINTOP MS-SC-M20 53112630 *1 SKINTOP MS-M20 53112020 *2 | SKINDICHT SM-M20 52103020 |
| | (b) | AC power input wiring | 63 | SKINTOP MS-M63 BRUSH 53112680 *1 SKINTOP MS-M63 53112070 *2 | SKINDICHT SM-M63 52103070 |
| | (c) | Brake unit connection wiring | | | |
| | (d) | Inverter output wiring | | | |
| FR-F846-03250(132K), 03610(160K) | (a) | Control circuit wiring | 20.3 | SKINTOP MS-SC-M20 53112630 *1 SKINTOP MS-M20 53112020 *2 | SKINDICHT SM-M20 52103020 |
| | (b) | AC power input wiring | 63 | SKINTOP MS-M63 BRUSH PLUS 53112681 *1 SKINTOP MS-M63 PLUS 53112080 *2 | SKINDICHT SM-M63 52103070 |
| | (c) | Brake unit connection wiring | | | |
| | (d) | Inverter output wiring | | | |

*1 EMC-compliant cable gland

*2 General-purpose cable gland

- (5) For the FR-F846-00470(22K) or lower, install the wiring cover.
- (6) Connect cables to the terminals of the inverter.
- (7) Install the front cover to the inverter. (Refer to [page 17](#))

Caution

- Always use a waterproof cable gland (IP55 or higher) for the hole from which the protective bush is removed because water may get into the inverter.

2.5.4 Applicable cables and the wiring length

Select a recommended cable size to ensure that the voltage drop will be 2% or less.

If the wiring distance is long between the inverter and motor, the voltage drop in the main circuit wires will cause the motor torque to decrease especially at a low speed.

The following table indicates a selection example for the wiring length of 20 m.

- 400 V class (440 V input power supply (with 120% rated current for one minute))

| Applicable inverter model FR-F846-[] | Terminal screw size*4 | Tightening torque N·m | Crimping terminal | | Cable gauge | | | | | | | | | |
|--|-----------------------|--------------------------|-------------------|---------|---------------------------------------|---------|-----|----------------------------|------------------|-----------|------------------|---------------------------------------|----------------------------|-----|
| | | | | | HIV cables, etc. (mm ²)*1 | | | | | AWG/MCM*2 | | PVC cables, etc. (mm ²)*3 | | |
| | | | R/L1, S/L2, T/L3 | U, V, W | R/L1, S/L2, T/L3 | U, V, W | P/+ | Earthing (grounding) cable | R/L1, S/L2, T/L3 | U, V, W | R/L1, S/L2, T/L3 | U, V, W | Earthing (grounding) cable | |
| 00023(0.75K) to 00083(3.7K) | M4 | 1.5 | 2-4 | 2-4 | 2 | 2 | 2 | 2 | 2 | 14 | 14 | 2.5 | 2.5 | 2.5 |
| 00126(5.5K) | M4 | 1.5 | 2-4 | 2-4 | 2 | 2 | 3.5 | 3.5 | 3.5 | 14 | 14 | 2.5 | 2.5 | 2.5 |
| 00170(7.5K) | M4 | 1.5 | 2-4 | 2-4 | 3.5 | 3.5 | 3.5 | 3.5 | 3.5 | 12 | 12 | 4 | 4 | 4 |
| 00250(11K) | M6 | 4.4 | 5.5-6 | 5.5-6 | 5.5 | 5.5 | 5.5 | 5.5 | 5.5 | 10 | 10 | 6 | 6 | 6 |
| 00310(15K) | M6 | 4.4 | 5.5-6 | 5.5-6 | 5.5 | 5.5 | 8 | 5.5 | 5.5 | 10 | 10 | 6 | 6 | 6 |
| 00380(18.5K) | M6 | 4.4 | 8-6 | 8-6 | 8 | 8 | 14 | 8 | 8 | 8 | 8 | 10 | 10 | 10 |
| 00470(22K) | M6 | 4.4 | 14-6 | 14-6 | 14 | 14 | 22 | 14 | 14 | 6 | 6 | 16 | 16 | 16 |
| 00620(30K) | M6 | 4.4 | 22-6 | 22-6 | 22 | 22 | 22 | 14 | 14 | 4 | 4 | 25 | 25 | 16 |
| 00770(37K) | M6 | 4.4 | 22-6 | 22-6 | 22 | 22 | 22 | 14 | 14 | 4 | 4 | 25 | 25 | 16 |
| 00930(45K) | M8 | 7.8 | 38-8 | 38-8 | 38 | 38 | 38 | 22 | 22 | 2 | 2 | 50 | 50 | 25 |
| 01160(55K) | M8 | 7.8 | 60-8 | 60-8 | 60 | 60 | 60 | 22 | 22 | 1/0 | 1/0 | 50 | 50 | 25 |
| 01800(75K) | M10 | 14.7 | 60-10 | 60-10 | 60 | 60 | 60 | 22 | 22 | 1/0 | 1/0 | 50 | 50 | 25 |
| 02160(90K) | M10 | 14.7 | 60-10 | 60-10 | 60 | 60 | 80 | 22 | 22 | 1/0 | 1/0 | 50 | 50 | 25 |
| 02600(110K) | M10 | 14.7 | 80-10 | 80-10 | 80 | 80 | 80 | 38 | 38 | 3/0 | 3/0 | 70 | 70 | 35 |
| 03250(132K) | M10 | 14.7 | 100-10 | 100-10 | 100 | 100 | 100 | 38 | 38 | 4/0 | 4/0 | 95 | 95 | 50 |
| 03610(160K) | M10 | 14.7 | 150-10 | 150-10 | 125 | 125 | 150 | 38 | 38 | 250 | 250 | 120 | 120 | 70 |

*1 For the FR-F846-01800(75K) or lower, it is the gauge of a cable with the continuous maximum permissible temperature of 75°C (HIV cable (600 V grade heat-resistant PVC insulated wire), etc.). It assumes a surrounding air temperature of 50°C or lower and the wiring distance of 20 m or shorter.

For the FR-F846-02160(90K) or higher, it is the gauge of the cable with the continuous maximum permissible temperature of 90°C or higher. (LMFC (heat resistant flexible cross-linked polyethylene insulated cable), etc.). It assumes a surrounding air temperature of 50°C or lower.

*2 For the FR-F846-01160(55K) or lower, it is the gauge of a cable with the continuous maximum permissible temperature of 75°C (THHW cable). It assumes a surrounding air temperature of 40°C or lower and the wiring distance of 20 m or shorter.

For the FR-F846-01800(75K) or higher, it is the gauge of a cable with the continuous maximum permissible temperature of 90°C (THHN cable). It assumes a surrounding air temperature of 40°C or lower. (For the use in the United States or Canada, refer to [page 129](#).)

*3 For the FR-F846-01160(55K) or lower, it is the gauge of a cable with the continuous maximum permissible temperature of 70°C (PVC cable). It assumes a surrounding air temperature of 40°C or lower and the wiring distance of 20 m or shorter.

For the FR-F846-01800(75K) or higher, it is the gauge of a cable with the continuous maximum permissible temperature of 90°C (XLPE cable). It assumes a surrounding air temperature of 40°C or lower. (Selection example for use mainly in Europe.)

*4 The terminal screw size indicates the size of terminal screw for R/L1, S/L2, T/L3, U, V, W, P/+, N/-, P1, and the screw for earthing (grounding).

The line voltage drop can be calculated by the following formula:

$$\text{Line voltage drop [V]} = \frac{\sqrt{3} \times \text{wire resistance[m}\Omega\text{/m]} \times \text{wiring distance[m]} \times \text{current[A]}}{1000}$$

Use a larger diameter cable when the wiring distance is long or when it is desired to decrease the voltage drop (torque reduction) in the low speed range.

NOTE

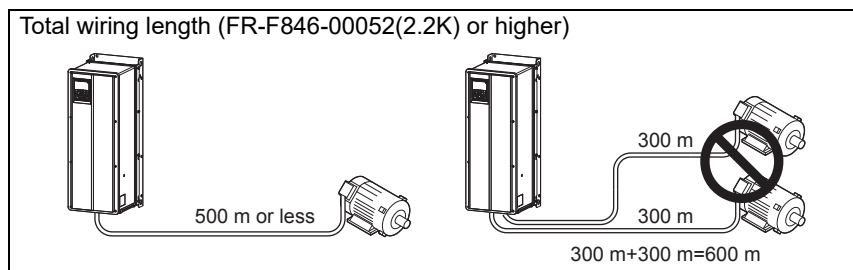
- Tighten the terminal screw to the specified torque.
A screw that has been tightened too loosely can cause a short circuit or malfunction.
A screw that has been tightened too tightly can cause a short circuit or malfunction due to the unit breakage.
- Use crimping terminals with insulation sleeves to wire the power supply and motor.

◆ Total wiring length

◆ With induction motor

Connect one or more general-purpose motors within the total wiring length shown in the following table.

| Pr.72 setting (carrier frequency) | FR-F846-00023(0.75K) | FR-F846-00038(1.5K) | FR-F846-00052(2.2K) or higher |
|--------------------------------------|----------------------|---------------------|-------------------------------|
| 2 (2 kHz) or lower | 300 m | 500 m | 500 m |
| 3 (3 kHz) or higher | 200 m | 300 m | 500 m |



When driving a 400 V class motor by the inverter, surge voltages attributable to the wiring constants may occur at the motor terminals, deteriorating the insulation of the motor. In this case, take one of the following measures.

- Use a "400 V class inverter-driven insulation-enhanced motor" and set **Pr.72 PWM frequency selection** according to the wiring length.

| Wiring length 50 m or shorter | Wiring length 50 m to 100 m | Wiring length longer than 100 m |
|-------------------------------|-----------------------------|---------------------------------|
| 15 (14.5 kHz) or lower | 9 (9 kHz) or lower | 4 (4 kHz) or lower |

- For the FR-F846-01160(55K) or lower, connect a surge voltage suppression filter (FR-ASF-H/FR-BMF-H) at the output side of the inverter. For the FR-F846-01800(75K) or higher, connect a sine wave filter (MT-BSL/BSC) at the output side of the inverter.

◆ With PM motor

Use the following length of wiring or shorter when connecting a PM motor.

| Pr.72 setting (carrier frequency) | FR-F846-00038(1.5K) or lower | FR-F846-00052(2.2K) or higher |
|--------------------------------------|------------------------------|-------------------------------|
| 5 (2 kHz) or lower | 100 m | 100 m |
| 6 to 9 (6 kHz) | 50 m | 100 m |
| 10 (10 kHz) or higher | 50 m | 50 m |

Use one PM motor for one inverter. Multiple PM motors cannot be connected to an inverter.

NOTE

- Especially for long-distance wiring or wiring with shielded cables, the inverter may be affected by a charging current caused by stray capacitance of the wiring, leading to an activation of the overcurrent protection, malfunction of the fast-response current limit operation, or even to an inverter failure. It may also cause a malfunction or fault of the equipment connected ON the inverter output side. Stray capacitance of the wiring differ by the installation condition, use the total wiring length in the table above as reference values. If the fast-response current limit function malfunctions, disable this function. (Refer to **Pr.156 Stall prevention operation selection** on the FR-F800 Instruction Manual (Detailed).)
- A surge voltage suppression filter (FR-ASF-H/FR-BMF-H) can be used under V/F control and Advanced magnetic flux vector control. A sine wave filter (MT-BSL/BSC) can be used under V/F control. Do not use the filters under different control methods.
- For the details of **Pr.72 PWM frequency selection**, refer to the FR-F800 Instruction Manual (Detailed).
- Refer to [page 76](#) to drive a 400 V class motor by an inverter.

2.5.5 Earthing (grounding) precautions

Always earth (ground) the motor and inverter.

◆ Purpose of earthing (grounding)

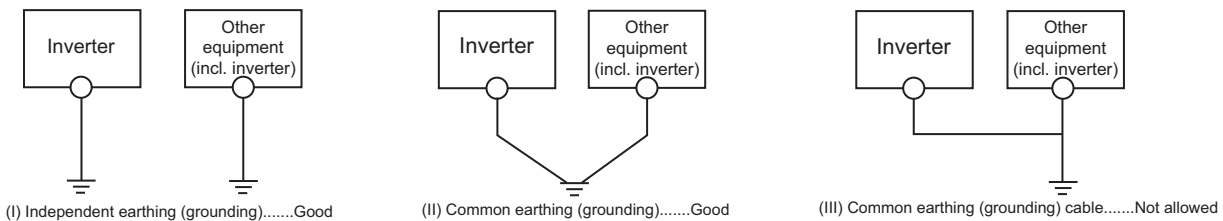
Generally, an electrical apparatus has an earth (ground) terminal, which must be connected to the ground before use. An electrical circuit is usually insulated by an insulating material and encased. However, it is impossible to manufacture an insulating material that can shut off a leakage current completely, and actually, a slight current flows into the case. The purpose of earthing (grounding) the case of an electrical apparatus is to prevent operators from getting an electric shock from this leakage current when touching it.

To avoid the influence of external noises, this earthing (grounding) is important to audio equipment, sensors, computers and other apparatuses that handle low-level signals or operate very fast.

◆ Earthing (grounding) methods and earthing (grounding) work

As described previously, earthing (grounding) is roughly classified into an electrical shock prevention type and a noise-influenced malfunction prevention type. Therefore, these two types should be clearly distinguished, and the following work must be done to prevent the leakage current having the inverter's high frequency components from entering the malfunction prevention type earthing (grounding):

- Whenever possible, use the independent earthing (grounding) for the inverter.
If independent earthing (grounding) (I) is not available, use (II) common earthing (grounding) in the figure below where the inverter is connected with the other equipment at an earthing (grounding) point. Do not use the other equipment's earthing (grounding) cable to earth (ground) the inverter as shown in (III).
- A leakage current containing many high frequency components flows into the earthing (grounding) cables of the inverter and peripheral devices. Because of this, the inverter must be earthed (grounded) separately from EMI-sensitive devices.
- In a high building, it may be effective to use the EMI prevention type earthing (grounding) connecting to an iron structure frame, and electric shock prevention type earthing (grounding) with the independent earthing (grounding) together.
- This inverter must be earthed (grounded). Earthing (Grounding) must conform to the requirements of national and local safety regulations and electrical codes. (NEC section 250, IEC 61140 class 1 and other applicable standards).
A neutral-point earthed (grounded) power supply in compliance with EN standard must be used.
- Use the thickest possible earthing (grounding) cable. The size of the earthing (grounding) cable should be the same or larger than the one indicated in the table on [page 32](#).
- The earthing (grounding) point should be as close as possible to the inverter, and the earth (ground) wire length should be as short as possible.
- Run the earthing (grounding) cable as far away as possible from the I/O wiring of equipment sensitive to noises and run them in parallel in the minimum distance.



NOTE

- To be compliant with the EU Directive (Low Voltage Directive), refer to [page 125](#).

2.6 Control circuit

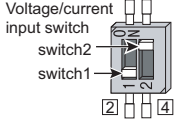
2.6.1 Details on the control circuit terminals

Input signal function of the terminals in can be selected by setting **Pr.178 to Pr.196 (I/O terminal function selection)**. For the details of the control circuit terminal function selection, refer to the FR-F800 Instruction Manual (Detailed).

◆ Input signal

| Type | Terminal symbol | Common | Terminal name | Terminal function description | Rated specification | |
|---------------|--|--|------------------------------|---|---|---|
| Contact input | STF | SD (sink (negative common)) PC (source (positive common)) | Forward rotation start | Turn ON the STF signal to start forward rotation and turn it OFF to stop. | When the STF and STR signals are turned ON simultaneously, the stop command is given. | Input resistance 4.7 kΩ Voltage when contacts are open: 21 to 27 VDC When contacts are short-circuited: 4 to 6 mADC |
| | STR | | Reverse rotation start | Turn ON the STR signal to start reverse rotation and turn it OFF to stop. | | |
| | STP (STOP) | | Start self-holding selection | Turn ON the STP (STOP) signal to self-hold the start signal. | | |
| | RH, RM, RL | | Multi-speed selection | Multi-speed can be selected according to the combination of RH, RM and RL signals. | | |
| | JOG | | Jog mode selection | Turn ON the JOG signal to enable JOG operation (initial setting) and turn ON the start signal (STF or STR) to start JOG operation. | Terminal JOG is also used as a pulse train input terminal. To use as a pulse train input terminal, change the Pr.291 setting. (maximum input pulse: 100k pulses/s) | Input resistance 2 kΩ When contacts are short-circuited: 8 to 13 mADC |
| | | | Pulse train input | | | |
| | RT | | Second function selection | Turn ON the RT signal to enable the second function. When the second function such as "second torque boost" and "second V/F (base frequency)" is set, turning ON the RT signal enables the selected function. | Input resistance 4.7 kΩ Voltage when contacts are open: 21 to 27 VDC When contacts are short-circuited: 4 to 6 mADC | |
| | MRS | | Output stop | Turn ON the MRS signal (2ms or more) to stop the inverter output. Use this signal to shut off the inverter output when stopping the motor with an electromagnetic brake. | | |
| | RES | | Reset | Use this signal to reset a fault output provided when a protective function is activated. Turn ON the RES signal for 0.1 s or longer, then turn it OFF. In the initial setting, reset is set always-enabled. By setting Pr.75 , reset can be set enabled only at fault occurrence. The inverter recovers about 1 s after the reset is released. | | |
| | AU | | Terminal 4 input selection | The terminal 4 function is available only when the AU signal is turned ON. Turning the AU signal ON makes terminal 2 invalid. | | |
| CS | Selection of automatic restart after instantaneous power failure | When the CS signal is left ON, the inverter restarts automatically at power restoration. Note that restart setting is necessary for this operation. In the initial setting, a restart is disabled. | | | | |

Control circuit

| Type | Terminal symbol | Common | Terminal name | Terminal function description | Rated specification |
|-----------------------------|-----------------|--------|----------------------------------|---|--|
| Frequency setting | 10E | 5 | Frequency setting power supply | When connecting the frequency setting potentiometer at an initial status, connect it to the terminal 10. | 10 VDC \pm 0.4 V Permissible load current 10 mA |
| | 10 | 5 | | Change the input specifications of the terminal 2 using Pr.73 when connecting it to the terminal 10E. | 5 VDC \pm 0.5 V Permissible load current 10 mA |
| | 2 | 5 | Frequency setting (voltage) | Inputting 0 to 5 VDC (or 0 to 10 V, 0 to 20 mA) provides the maximum output frequency at 5 V (10 V, 20 mA) and makes input and output proportional. Use Pr.73 to switch among input 0 to 5 VDC (initial setting), 0 to 10 VDC, and 0 to 20 mA. Set the voltage/current input switch in the ON position to select current input (0 to 20 mA). *1 | When voltage is input: Input resistance 10k Ω to 11k Ω Maximum permissible voltage 20 VDC When current is input: Input resistance 245 Ω \pm 5 Ω Permissible maximum current 30 mA |
| | 4 | 5 | Frequency setting (current) | Inputting 4 to 20 mADC (or 0 to 5 V, 0 to 10 V) provides the maximum output frequency at 20 mA and makes input and output proportional. This input signal is valid only when the AU signal is ON (terminal 2 input is invalid). Use Pr.267 to switch among input 4 to 20 mA (initial setting), 0 to 5 VDC, and 0 to 10 VDC. Set the voltage/current input switch in the OFF position to select voltage input (0 to 5 V/0 to 10 V). *1 Use Pr.858 to switch terminal functions. |  |
| | 1 | 5 | Frequency setting auxiliary | Inputting 0 to \pm 5 VDC or 0 to \pm 10 VDC adds this signal to terminal 2 or 4 frequency setting signal. Use Pr.73 to switch between input 0 to \pm 5 VDC and 0 to \pm 10 VDC (initial setting). Use Pr.868 to switch terminal functions. | |
| Thermistor | 10 2 | — | PTC thermistor input | For receiving PTC thermistor outputs. When PTC thermistor is valid (Pr.561 \neq "9999"), the terminal 2 is not available for frequency setting. | Applicable PTC thermistor specification Overheat detection resistance: 0.5 to 30 k Ω (Set by Pr.561) |
| External Power supply input | +24 | SD | 24 V external power supply input | For connecting a 24 V external power supply. If a 24 V external power supply is connected, power is supplied to the control circuit while the main power circuit is OFF. (Refer to page 45 .) | Input voltage 23 to 25.5 VDC Input current 1.4 A or less |

- *1 Set **Pr.73**, **Pr.267**, and the voltage/current input switch correctly, then input an analog signal in accordance with the setting.
Applying a voltage with the voltage/current input switch ON (current input is selected) or a current with the switch OFF (voltage input is selected) could cause component damage of the inverter or analog circuits of output devices. (For the details, refer to the FR-F800 Instruction Manual (Detailed).)
- *2 Sink logic is initially set for the FM-type inverter.
- *3 Source logic is initially set for the CA-type inverter.

◆ Output signal

| Type | Terminal symbol | Common | Terminal name | Terminal function description | Rated specification |
|----------------|------------------|--------|-------------------------------|---|---|
| Relay | A1, B1, C1 | — | Relay output 1 (fault output) | 1 changeover contact output that indicates that an inverter's protective function has been activated and the outputs are stopped. Fault: discontinuity across B and C (continuity across A and C), Normal: continuity across Band C (discontinuity across A and C) | Contact capacity 230 VAC 0.3 A (power factor = 0.4) 30 VDC 0.3 A |
| | A2, B2, C2 | — | Relay output 2 | 1 changeover contact output | |
| Open collector | RUN | SE | Inverter running | Switched to LOW when the inverter output frequency is equal to or higher than the starting frequency (initial value 0.5 Hz). Switched to HIGH during stop or DC injection brake operation. | Permissible load 24 VDC (maximum 27 VDC) 0.1 A (The voltage drop is 2.8 V at maximum while the signal is ON.) LOW is when the open collector output transistor is ON (conducted). HIGH is when the transistor is OFF (not conducted). |
| | SU | SE | Up to frequency | Switched to LOW when the output frequency is within the set frequency range $\pm 10\%$ (initial value). Switched to HIGH during acceleration/ deceleration and at a stop. | |
| | OL | SE | Overload warning | Switched to LOW when stall prevention is activated by the stall prevention function. Switched to HIGH when stall prevention is canceled. | |
| | IPF | SE | Instantaneous power failure | Switched to LOW when an instantaneous power failure occurs or when the undervoltage protection is activated. | |
| | FU | SE | Frequency detection | Switched to LOW when the inverter output frequency is equal to or higher than the preset detection frequency, and to HIGH when it is less than the preset detection frequency. | |
| Pulse | FM *1 | SD | For meter | Outputs a selected monitored item (such as output frequency) among several monitored items. | Output item: Output frequency (initial setting) |
| | | | NPN open collector output | The signal is not output during an inverter reset. The output signal is proportional to the magnitude of the corresponding monitoring item. | This terminal can be used for open collector outputs by setting Pr.291 . |
| Analog | AM | 5 | Analog voltage output | Use Pr.55 , Pr.56 , and Pr.866 to set full scales for the monitored output frequency, output current, and torque. (Refer to the FR-F800 Instruction Manual (Detailed).) | Output item: Output frequency (initial setting) |
| | CA *2 | 5 | Analog current output | | |

*1 Terminal FM is provided in the FM-type inverter.

*2 Terminal CA is provided in the CA-type inverter.

◆ Safety stop signal

For the safety stop function, refer to [page 47](#).

| Terminal symbol | Terminal name | Common | Terminal function description | Rated specification |
|-----------------|---|--------|---|--|
| S1 | Safety stop input (Channel 1) | SIC | Use terminals S1 and S2 to receive the safety stop signal input from the safety relay module. Terminals S1 and S2 can be used at a time (dual channel). The Inverter judges the condition of the internal safety circuit from the status (shorted/opened) between terminals S1 and SIC, or between S2 and SIC. When the status is opened, the inverter output is shut off. In the initial status, terminal S1 and S2 are shorted with terminal PC by shorting wires. Terminal SIC is shorted with terminal SD. Remove the shorting wires and connect the safety relay module when using the safety stop function. | Input resistance: 4.7 kΩ, input current: 4 to 6 mADC (with 24 VDC input) |
| S2 | Safety stop input (Channel 2) | | | |
| So (SO) | Safety monitor output (open collector output) | SOC | The output status varies depending on the input status of the safety stop signals. The output is in HIGH state during occurrence of the internal safety circuit failure. The output is in LOW state otherwise. (The open collector transistor is ON (conductive) in LOW state. The transistor is OFF (not conductive) in HIGH state.) Refer to the Safety Stop Function Instruction Manual if the output becomes in HIGH state even though both terminals S1 and S2 are open. (Contact your sales representative for this manual.) | Permissible load: 24 VDC (27 VDC at maximum), 0.1 A (The voltage drop is 3.4 V at maximum while the signal is ON.) |

◆ Common terminal

| Terminal symbol | Common | Terminal name | Terminal function description | Rated specification |
|-----------------|--------|---------------------------------------|--|--|
| SD | — | Contact input common (sink)*1 | Common terminal for the contact input terminal (sink logic), terminal FM. | — |
| | | External transistor common (source)*2 | Connect this terminal to the power supply common terminal of a transistor output (open collector output) device, such as a programmable controller, in the source logic to avoid malfunction by undesirable current. | |
| | | 24 VDC power supply common | Common terminal for the 24 VDC power supply (terminal PC, terminal +24). Isolated from terminals 5 and SE. | |
| PC | — | External transistor common (sink)*1 | Connect this terminal to the power supply common terminal of a transistor output (open collector output) device, such as a programmable controller, in the sink logic to avoid malfunction by undesirable current. | Power supply voltage range: 19.2 to 28.8 VDC, permissible load current: 100 mA |
| | | Contact input common (source)*2 | Common terminal for contact input terminal (source logic). | |
| | SD | 24 VDC power supply | Can be used as a 24 VDC 0.1 A power supply. | |
| 5 | — | Frequency setting common | Common terminal for the frequency setting signal (via terminal 2, 1, or 4) and for the analog output terminals AM and CA. Do not earth (ground). | — |
| SE | — | Open collector output common | Common terminal for terminals RUN, SU, OL, IPF, FU | — |
| SIC | — | Safety stop input terminal common | Common terminal for terminals S1 and S2. | — |
| SOC | — | Safety monitor output terminal common | Common terminal for terminal So (SO). | — |

*1 Sink logic is initially set for the FM-type inverter.

*2 Source logic is initially set for the CA-type inverter.

◆ Communication

| Type | Terminal symbol | Terminal name | Terminal function description | |
|----------|----------------------|-----------------|--|--|
| RS-485 | — | PU connector | With the PU connector, communication can be made through RS-485. (For connection on a 1:1 basis only) Conforming standard: EIA-485 (RS-485) Transmission format: Multidrop link Communication speed: 4800 to 115200 bps Wiring length: 500 m | |
| | RS-485 terminals | TXD+ | Inverter transmission terminal | The RS-485 terminals enables the communication by RS-485. Conforming standard: EIA-485 (RS-485) Transmission format: Multidrop link Communication speed: 300 to 115200 bps Overall length: 500 m |
| | | TXD- | | |
| | | RXD+ | Inverter reception terminal | |
| | | RXD- | | |
| GND (SG) | Earthing (grounding) | | | |
| USB | — | USB A connector | A connector (receptacle) A USB memory device enables parameter copies and the trace function. | Interface: Conforms to USB1.1 (USB2.0 full-speed compatible) Transmission speed: 12 Mbps (Refer to page 53.) |
| | | USB B connector | Mini B connector (receptacle) Connected to a personal computer via USB to enable setting, monitoring, test operations of the inverter by FR Configurator 2. | |

2.6.2 Control logic (sink/source) change

Change the control logic of input signals as necessary.

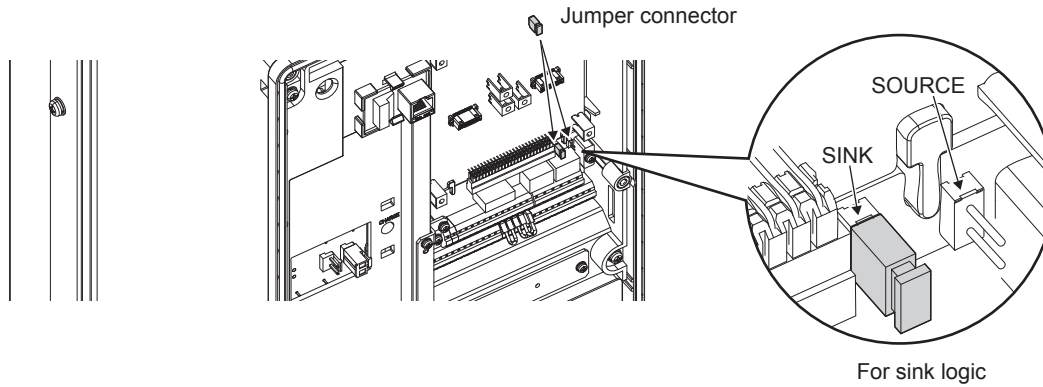
To change the control logic, change the jumper connector position on the control circuit board.

Connect the jumper connector to the connector pin of the desired control logic.

The control logic of input signals is initially set to the sink logic (SINK) for the FM type.

The control logic of input signals is initially set to the source logic (SOURCE) for the CA type.

(The output signals may be used in either the sink or source logic independently of the jumper connector position.)



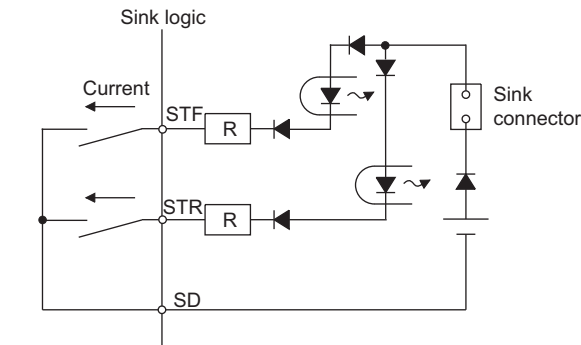
NOTE

- Make sure that the jumper connector is installed correctly.
- Never change the control logic while power is ON.

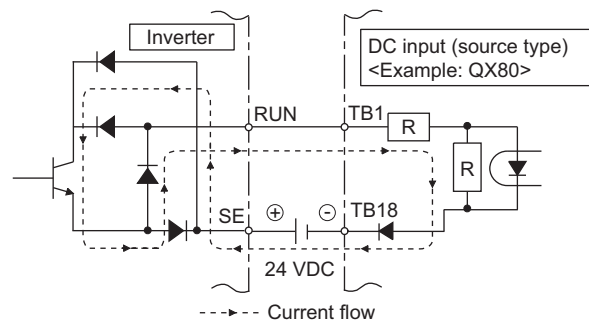
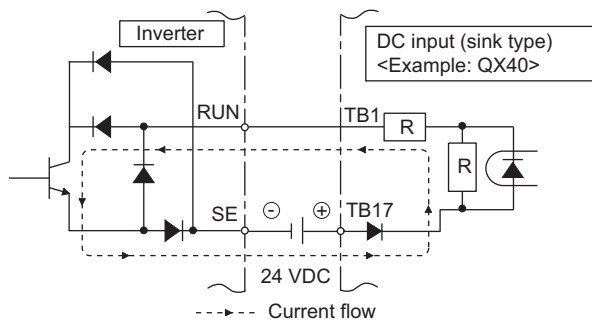
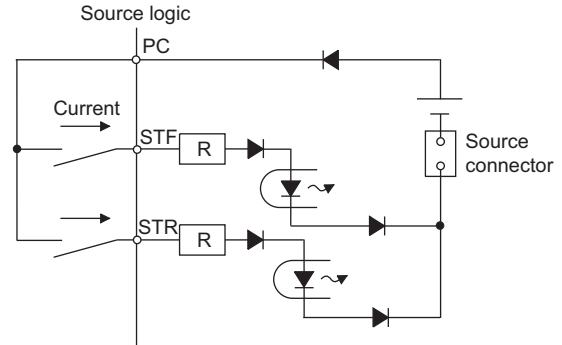
◆ Sink logic and source logic

- In the sink logic, a signal switches ON when a current flows from the corresponding signal input terminal. Terminal SD is common to the contact input signals. Terminal SE is common to the open collector output signals.
- In the source logic, a signal switches ON when a current flows into the corresponding signal input terminal. Terminal PC is common to the contact input signals. Terminal SE is common to the open collector output signals.

● Current flow concerning the input/output signal when sink logic is selected



● Current flow concerning the input/output signal when source logic is selected



- When using an external power supply for transistor output

Sink logic

Use the terminal PC as a common terminal, and perform wiring as shown below. (Do not connect terminal SD of the inverter with the terminal 0 V of the external power supply. When using terminals PC-SD as a 24 VDC power supply, do not install an external power supply in parallel with the inverter. Doing so may cause a malfunction in the inverter due to undesirable currents.)

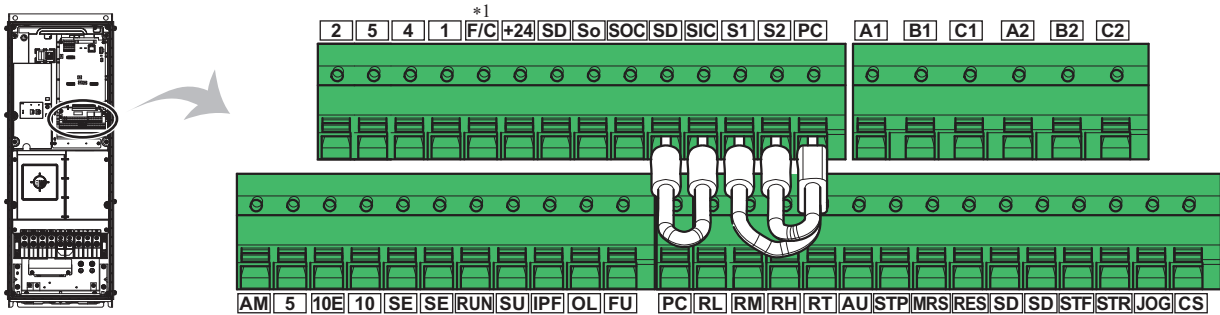
Source logic

Use the terminal SD as a common terminal, and perform wiring as shown below. (Do not connect terminal PC of the inverter with the terminal +24 V of the external power supply. When using terminals PC-SD as a 24 VDC power supply, do not install an external power supply in parallel with the inverter. Doing so may cause a malfunction in the inverter due to undesirable currents.)

2.6.3 Wiring of control circuit

◆Control circuit terminal layout

- Recommended cable gauge: 0.3 to 0.75 mm²



*1 This terminal operates as the terminal FM for the FM type, and as the terminal CA for the CA type.

◆Wiring method

- Power supply connection

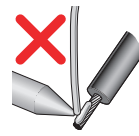
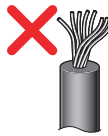
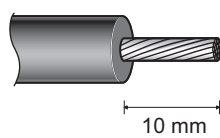
For the control circuit wiring, strip off the sheath of a cable, and use it with a crimp terminal. For a single wire, strip off the sheath of the wire and apply directly.

Insert the crimp terminal or the single wire into a socket of the terminal.

- (1) Strip the signal wires as follows. If too much of the wire is stripped, a short circuit may occur with neighboring wires. If not enough of the wire is stripped, wires may become loose and fall out.

Wire the stripped cable after twisting it to prevent it from becoming loose. In addition, do not solder it.

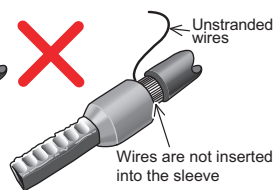
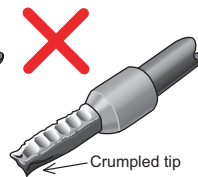
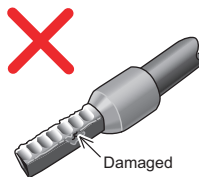
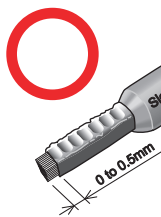
Cable stripping size



- (2) Crimp the terminals on the wire.

Insert the wire into a crimp terminal, making sure that 0 to 0.5 mm of the wire protrudes from the end of the sleeve.

Check the condition of the crimp terminal after crimping. Do not use a crimp terminal of which the crimping is inappropriate, or the face is damaged.



- Crimp terminals commercially available (as of October 2020)
Phoenix Contact Co., Ltd.

| Cable gauge (mm ²) | Ferrule terminal model | | | Crimping tool model |
|--------------------------------|------------------------|---------------------------|----------------------|---------------------|
| | With insulation sleeve | Without insulation sleeve | For UL wire*1 | |
| 0.3 | AI 0, 34-10TQ | — | — | CRIMPFOX 6 |
| 0.5 | AI 0,5-10WH | — | AI 0,5-10WH-GB | |
| 0.75 | AI 0,75-10GY | A 0,75-10 | AI 0,75-10GY-GB | |
| 1 | AI 1-10RD | A 1-10 | AI 1-10RD/1000GB | |
| 1.25, 1.5 | AI 1,5-10BK | A 1,5-10 | AI 1,5-10BK/1000GB*2 | |
| 0.75 (for two wires) | AI-TWIN 2 × 0,75-10GY | — | — | |

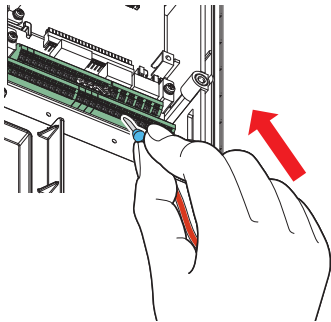
*1 A ferrule terminal with an insulation sleeve compatible with the MTW wire which has a thick wire insulation.

*2 Applicable for the terminal A1, B1, C1, A2, B2, C2.

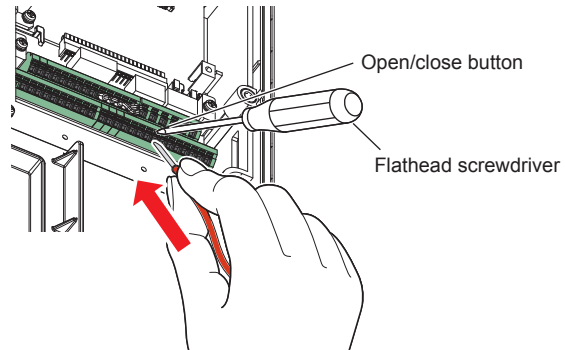
NICHIFU Co.,Ltd.

| Cable gauge (mm ²) | Blade terminal product number | Insulation cap product number | Crimping tool product number |
|--------------------------------|-------------------------------|-------------------------------|------------------------------|
| 0.3 to 0.75 | BT 0.75-11 | VC 0.75 | NH 69 |

(3) Insert the wires into a socket.



When using a single wire or stranded wires without a crimp terminal, push the open/close button all the way down with a flathead screwdriver, and insert the wire.

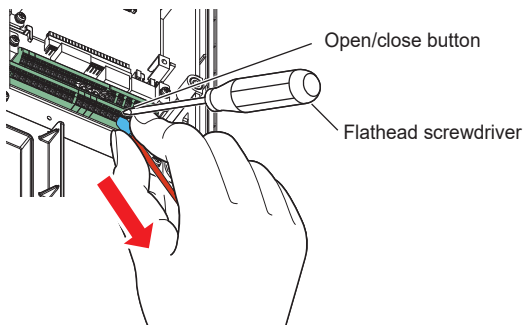


NOTE

- When using stranded wires without a crimp terminal, twist enough to avoid short circuit with a nearby terminals or wires.
- Lead the wires through the holes for wiring. (For the details of the holes for wiring, refer to [page 28.](#))
- Place the flathead screwdriver vertical to the open/close button. In case the blade tip slips, it may cause an inverter damage or injury.

• Wire removal

Pull the wire while pushing the open/close button all the way down firmly with a flathead screwdriver.



NOTE

- Pulling out the wire forcefully without pushing the open/close button all the way down may damage the terminal block.
- Use a small flathead screwdriver (tip thickness: 0.4 mm/tip width: 2.5 mm).
If a flathead screwdriver with a narrow tip is used, terminal block may be damaged.

Commercially available products (as of October 2020)

| Name | Model | Manufacturer |
|-------------|---------------------|---------------------------|
| Screwdriver | SZF 0- 0,4 × 2,5 | Phoenix Contact Co., Ltd. |

- Place the flathead screwdriver vertical to the open/close button. In case the blade tip slips, it may cause an inverter damage or injury.

◆ Common terminals of the control circuit (SD, PC, 5, SE)

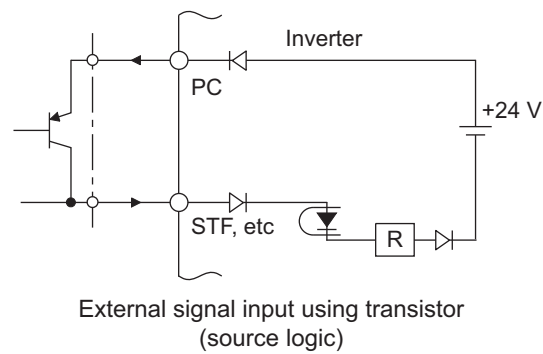
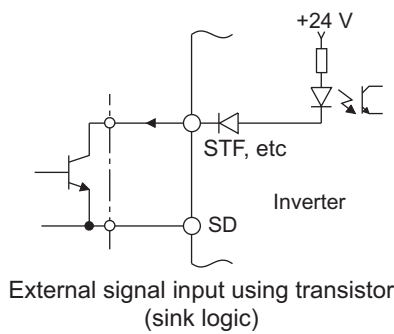
- Terminals SD (sink logic), PC (source logic), 5, and SE are common terminals (0V) for I/O signals. (All common terminals are isolated from each other.) Do not earth (ground) these terminals. Avoid connecting the terminal SD (sink logic) with 5, the terminal PC (source logic) with 5, and the terminal SE with 5.
- In the sink logic, terminal SD is a common terminal for the contact input terminals (STF, STR, STP (STOP), RH, RM, RL, JOG, RT, MRS, RES, AU, CS) and the pulse train output terminal (FM*1). The open collector circuit is isolated from the internal control circuit by photocoupler.
- In the source logic, terminal PC is a common terminal for the contact input terminals (STF, STR, STP (STOP), RH, RM, RL, JOG, RT, MRS, RES, AU, CS). The open collector circuit is isolated from the internal control circuit by photocoupler.
- Terminal 5 is a common terminal for the frequency setting terminals (2, 1 or 4) and the analog output terminals (AM, CA*2).
- Terminal SE is a common terminal for the open collector output terminals (RUN, SU, OL, IPF, FU). The contact input circuit is isolated from the internal control circuit by photocoupler.

*1 Terminal FM is provided in the FM-type inverter.

*2 Terminal CA is provided in the CA-type inverter.

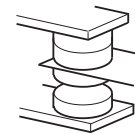
◆ Signal inputs by contactless switches

The contact input terminals of the inverter (STF, STR, STP (STOP), RH, RM, RL, JOG, RT, MRS, RES, AU, CS) can be controlled using a transistor instead of a contact switch as shown below.

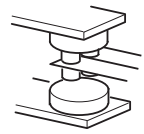


2.6.4 Wiring precautions

- It is recommended to use a cable of 0.3 to 0.75 mm² for the connection to the control circuit terminals.
- The wiring length should be 30 m (200 m for the terminal FM) at the maximum.
- Use two or more parallel micro-signal contacts or twin contacts to prevent contact faults when using contact inputs since the control circuit input signals are micro-currents.
- To suppress EMI, use shielded or twisted cables for the control circuit terminals and run them away from the main and power circuits (including the 200 V relay sequence circuit). For the cables connected to the control circuit terminals, connect their shields to the common terminal of the connected control circuit terminal. When connecting an external power supply to the terminal PC, however, connect the shield of the power supply cable to the negative side of the external power supply. Do not directly earth (ground) the shield to the enclosure, etc.
- Always apply a voltage to the fault output terminals (A1, B1, C1, A2, B2, C2) via a relay coil, lamp, etc.

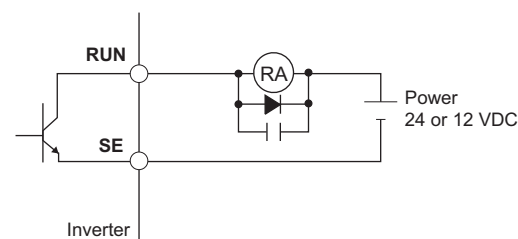


Micro signal contacts



Twin contacts

- When a relay coil is connected to the output terminals, use one with a surge absorbing function (reflux diode). When the voltage application direction is incorrect, the inverter will be damaged. Pay attention to the diode direction or other precautions to avoid incorrect wiring.



2.6.5 When supplying 24 V external power to the control circuit

Connect a 24 V external power supply across terminals +24 and SD. Connecting a 24 V external power supply enables I/O terminal ON/OFF operation, operation panel displays, control functions, and communication during communication operation even at power-OFF of inverter's main circuit power supply. When the main circuit power supply is turned ON, the power supply source changes from the 24 V external power supply to the main circuit power supply.

◆ Specification of the applicable 24 V external power supply

| Item | Rated specification |
|---------------|---------------------|
| Input voltage | 23 to 25.5 VDC |
| Input current | 1.4 A or less |

Commercially available products (as of October 2020)

| Model | Product overview | Manufacturer |
|----------------|--|-------------------|
| S8FS-G05024C*1 | Specifications: Capacity 50 W, output voltage 24 VDC, output current 2.2 A Installation method: Direct installation, screw type terminal block with cover Input: Single-phase 100 to 240 VAC | OMRON Corporation |
| S8VK-S06024*1 | Specifications: Capacity 60 W, output voltage 24 VDC, output current 2.5 A Installation method: DIN rail, push-in (spring) type terminal block Input: Single-phase 100 to 240 VAC | |
| S8VK-WA24024*1 | Specifications: Capacity 240 W, output voltage 24 VDC, output current 10 A Installation method: DIN rail, push-in (spring) type terminal block Input: Three-phase 200 to 240 VAC | |

*1 For the latest information about OMRON power supply, contact OMRON corporation.

◆ Starting and stopping the 24 V external power supply operation

- Supplying 24 V external power while the main circuit power is OFF starts the 24 V external power supply operation. Likewise, turning OFF the main circuit power while supplying 24 V external power starts the 24 V external power supply operation.
- Turning ON the main circuit power stops the 24 V external power supply operation and enables the normal operation.

NOTE

- When the 24 V external power is supplied while the main circuit power supply is OFF, the inverter operation is disabled.
- In the initial setting, when the main power supply is turned ON during the 24 V external power supply operation, a reset is performed in the inverter, then the power supply changes to the main circuit power supply. (The reset can be disabled using Pr.30. (For the details of Pr.30, refer to the FR-F800 Instruction Manual (Detailed).))

◆ Confirming the 24 V external power supply input

- During the 24 V external power supply operation, the 24 V external power supply operation signal (EV) is output. To use the EV signal, set "68 (positive logic) or 168 (negative logic)" in one of Pr.190 to Pr.196 (output terminal function selection) to assign function to an output terminal.

◆ Operation while the 24 V external power is supplied

- Faults history and parameters can be read and parameters can be written (when the parameter write from the operation panel is enabled) using the operation panel keys.
- The safety stop function is invalid during the 24 V external power supply operation.
- During the 24 V external power supply operation, monitored items and signals related to inputs to main circuit power supply, such as output current, converter output voltage, and IPF signal, are invalid.
- The faults, which have occurred when the main circuit power supply is ON, continue to be output after the power supply is changed to the 24 V external power supply. Perform the inverter reset or turn OFF then ON the power to reset the faults.
- If the power supply changes from the main circuit power supply to the 24 V external power supply while measuring the main circuit capacitor's life, the measurement completes after the power supply changes back to the main circuit power supply (**Pr.259** = "3").
- The output data is retained when "1 or 11" is set in **Pr.495 Remote output selection**.

NOTE

- Inrush current equal to or higher than the 24 V external power supply specification may flow at power-ON. Confirm that the power supply and other devices are not affected by the inrush current and the voltage drop caused by it. Depending on the power supply, the overcurrent protection may be activated and disable the power supply. Select the power supply and capacity carefully.
- When the wiring length between the external power supply and the inverter is long, the voltage often drops. Select the appropriate wiring size and length to keep the voltage in the rated input voltage range.
- In a serial connection of several inverters, the current increases when it flows through the inverter wiring near the power supply. The increase of the current causes voltage to drop further. When connecting different inverters to different power supplies, use the inverters after confirming that the input voltage of each inverter is within the rated input voltage range. Depending on the power supply, the overcurrent protection may be activated and disable the power supply. Select the power supply and capacity carefully.
- "E.SAF or E.P24" may appear when the start-up time of the 24 V power supply is too long (less than 1.5 V/s) in the 24 V external power supply operation.
- "E.P24" may appear when the 24 V external power supply input voltage is low. Check the external power supply input.
- Do not touch the control circuit terminal block (circuit board) during the 24 V power supply operation (when conducted). Otherwise you may get an electric shock or burn.

2.6.6 Safety stop function

◆Function description

The terminals related to the safety stop function are shown below.

| Terminal symbol | Terminal function description | |
|-----------------|---|--|
| S1 *1 | For input of the safety stop channel 1. | Between S1 and SIC, S2 and SIC Open: In safety stop mode Short: Other than the safety stop mode. |
| S2 *1 | For input of the safety stop channel 2. | |
| SIC *1 | Common terminal for S1 and S2. | |
| So (SO) | Outputs when an alarm or failure is detected. The signal is output when no internal safety circuit failure*2 exists. | OFF: Internal safety circuit failure*2 ON: No internal safety circuit failure*2 |
| SOC | Open collector output (terminal So (SO)) common | |

*1 In the initial status, terminals S1 and PC, S2 and PC, and SIC and SD are respectively shorted with shorting wires. To use the safety stop function, remove all the shortening wires, and then connect to the safety relay module as shown in the following connection diagram.

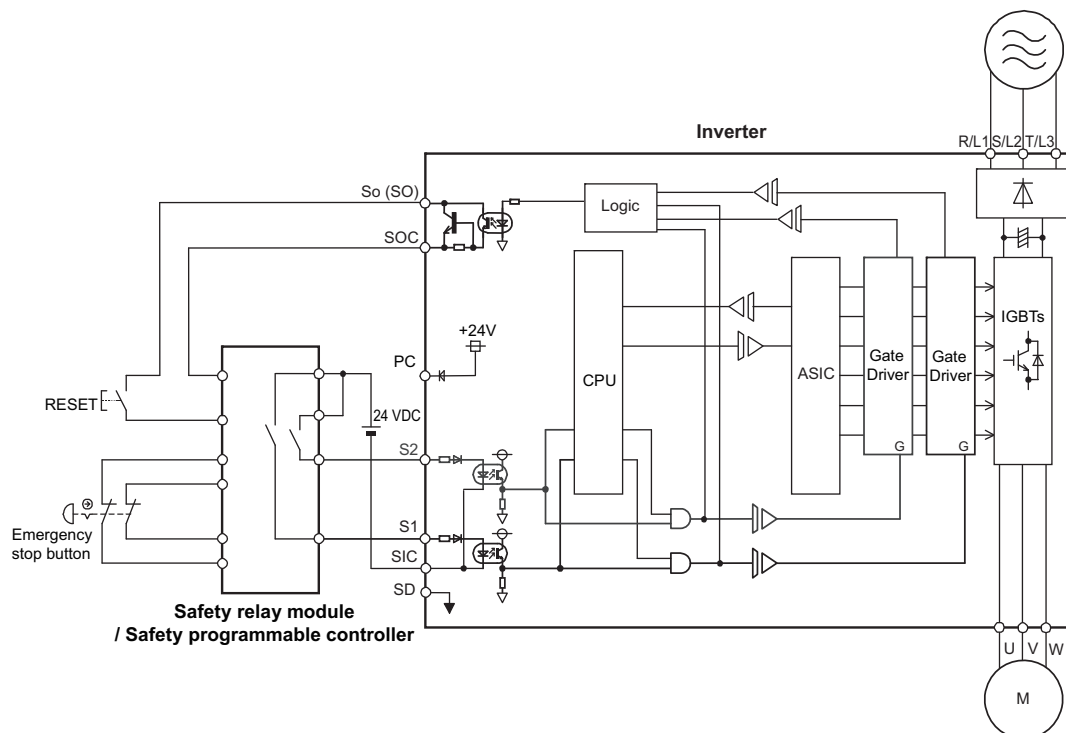
*2 At an internal safety circuit failure, the operation panel displays one of the faults shown on the next page.

NOTE

- Use the terminal So (SO) to output a fault and to prevent restarting of the inverter. The signal cannot be used as safety stop input terminal to other devices.

◆Connection diagram

To prevent automatic restart after a fault occurrence, connect the reset button of a safety relay module or a safety programmable controller across the terminals So (SO) and SOC. The reset button acts as the feedback input for the safety relay module or the safety programmable controller.



◆ Safety stop function operation

| Input power | Internal safety circuit status | Input terminal *1,*2 | | Output terminal | Output signal *8,*9,*10 | Inverter running status | Operation panel indication | |
|-------------|--------------------------------|-------------------------|-----|-----------------|----------------------------|-----------------------------|----------------------------|-----------------|
| | | S1 | S2 | So (SO) | SAFE | | E.SAF*6 | SA*7 |
| OFF | — | — | — | OFF | OFF | Output shutoff (Safe state) | Not displayed | Not displayed |
| ON | Normal | ON | ON | ON*3 | OFF | Drive enabled | Not displayed | Not displayed |
| | Normal | ON | OFF | OFF*4 | OFF*4 | Output shutoff (Safe state) | Displayed | Displayed |
| | Normal | OFF | ON | OFF*4 | OFF*4 | Output shutoff (Safe state) | Displayed | Displayed |
| | Normal | OFF | OFF | ON*3 | ON*3 | Output shutoff (Safe state) | Not displayed | Displayed |
| | Fault | ON | ON | OFF | OFF | Output shutoff (Safe state) | Displayed | Not displayed*5 |
| | Fault | ON | OFF | OFF | OFF | Output shutoff (Safe state) | Displayed | Displayed |
| | Fault | OFF | ON | OFF | OFF | Output shutoff (Safe state) | Displayed | Displayed |
| | Fault | OFF | OFF | OFF | OFF | Output shutoff (Safe state) | Displayed | Displayed |

- *1 ON: The transistor is conducted. OFF: The transistor is not conducted.
- *2 When not using the safety stop function, short across terminals S1 and PC, S2 and PC, and SIC and SD to use the inverter. (In the initial status, terminals S1 and PC, S2 and PC, and SIC and SD are respectively shorted with shorting wires.)
- *3 If any of the faults shown in the following table occurs, terminal So (SO) and the SAFE signal turns OFF.

| Fault type | Operation panel indication |
|--|----------------------------|
| Option fault | E.OPT |
| Communication option fault | E.OP1 |
| Parameter storage device fault (control circuit board) | E.PE |
| Retry count excess | E.RET |
| Parameter storage device fault (main circuit board) | E.PE2 |
| Internal storage device fault | E.PE6 |

| Fault type | Operation panel indication |
|--|----------------------------|
| Operation panel power supply short circuit | E.CTE |
| 24 VDC power fault | E.P24 |
| Safety circuit fault | E.SAF |
| Overspeed occurrence | E.OS |
| CPU fault | E.CPU |
| | E.5 to E.7 |
| Internal circuit fault | E.13 |

- *4 When the internal safety circuit is operated normally (no faults occurs), terminal So (SO) and the SAFE signal remain ON until "E.SAF" is displayed. Terminal So (SO) and the SAFE signal turn OFF when "E.SAF" is displayed.
- *5 SA is displayed when terminals S1 and S2 are identified as OFF due to the internal safety circuit failure.
- *6 If another fault occurs at the same time as E.SAF, the other fault can be displayed.
- *7 If another warning occurs at the same time as SA, the other warning can be displayed.
- *8 The ON/OFF state of the output signal is the one for the positive logic. The ON and OFF are reversed for the negative logic.
- *9 For the SAFE signal, refer to the following table and use any of **Pr.190 to Pr.196 (output terminal function selection)** to assign the function to the output terminal.

| Output signal | Pr.190 to Pr.196 setting | |
|---------------|--------------------------|----------------|
| | Positive logic | Negative logic |
| SAFE | 80 | 180 |

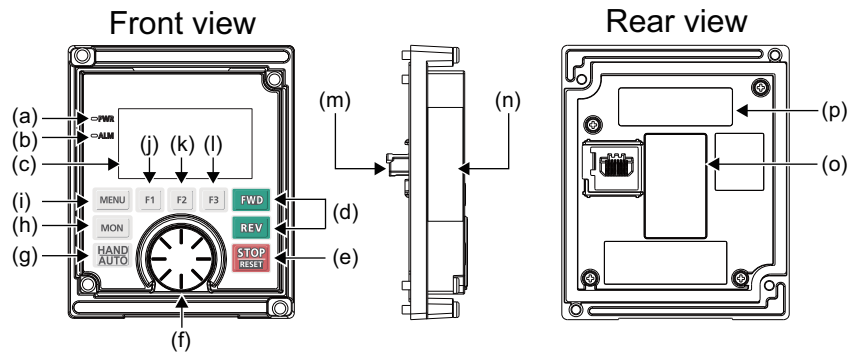
- *10 The use of SAFE signal has not been certified for compliance with safety standards.

◆ For more details, refer to the Safety stop function instruction manual. (A PDF copy can be found in the enclosed CD-ROM. For how to use this CD-ROM, refer to [page 137](#).)

2.7 Operation panel (FR-LU08-01)

2.7.1 Components of the operation panel

The operation panel (FR-LU08-01) is an IP55 compatible model that can only be installed on the FR-F806-L2 series. (It cannot be installed on the standard model or the separated converter type of the FR-F800 series.)

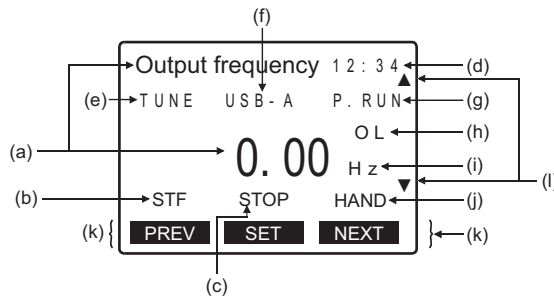



| Symbol | Name | Description |
|--------|-------------------|--|
| a | Power lamp | ON when the power is turned ON. |
| b | Alarm lamp | ON when an inverter alarm occurs. |
| c | Monitor | Shows the frequency, parameter number, etc. (Using Pr.52 , Pr.774 to Pr.776 , the monitor item can be changed.) |
| d | FWD key, REV key | FWD key: Starts the forward operation. REV key: Starts the reverse operation. |
| e | STOP/RESET key | Stop operation commands. Reset the inverter when the protective function is activated. |
| f | Setting dial | Used to change the frequency and parameter settings. Shows the details of the fault when the dial is pressed in the faults history mode. |
| g | HAND/AUTO key | Switches the operation mode between HAND (PU), HANDJOG (PUJOG), and AUTO (External). |
| h | MON key | Displays the first priority monitor. (For the details, refer to the Instruction Manual of the FR-LU08(-01).) |
| i | MENU key | Displays the Quick menu. Displays the Function menu when the key is pressed while the Quick menu is displayed. |
| j | Software key (F1) | Select an operation displayed on the monitor. |
| k | Software key (F2) | |
| l | Software key (F3) | |
| m | Connector | Connector to the inverter. Connect this connector to the PU connector of the inverter. |
| n | | For manufacturer setting. Do not use. Do not peel off the waterproof seal affixed to the operation panel. |
| o | Battery cover | Remove the battery cover when replacing the backup battery for the real time clock function. (For the details, refer to the Instruction Manual of the FR-LU08(-01).) |
| p | Rating plate | - |

NOTE

- Do not operate the keys with sharp tools.
- Do not press the LCD part.
- Do not peel off the waterproof seal affixed to the operation panel. If the seal is peeled off, the operation panel does not conform to IP55.

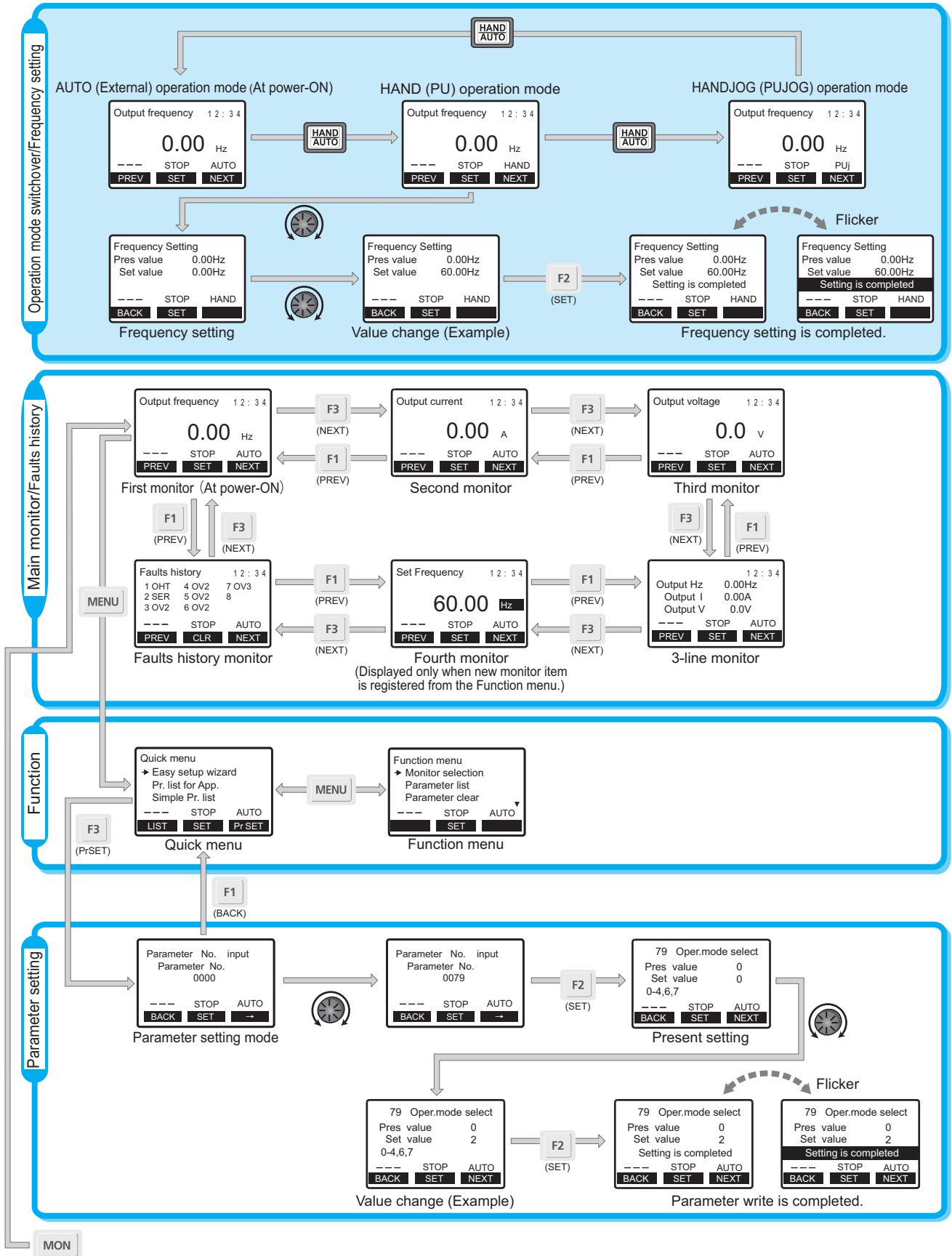
2.7.2 Outline of the Main monitor indicator



| Symbol | Name | Description |
|--------|---------------------------------|---|
| a | Main monitor item/data | Displays the output frequency, output current, output voltage, faults history, and others. The Main monitor screen can be changed by the following methods. <ul style="list-style-type: none"> Shifting the Main monitor screen using F1 (PREV) or F3 (NEXT) Changing the main monitor item using the Function menu Changing the main monitor item using Pr.52 Operation panel main monitor selection (For the details, refer to the Instruction Manual of the FR-LU08(-01).) |
| b | Rotation direction | Displays the direction of the start command ([STF]: forward, [STR]: reverse). ([---] shows that no start command is input, or that both forward and reverse directions are ON.) |
| c | Operating status | Displays the operating status of the inverter. <ul style="list-style-type: none"> [STOP]: During stop [FWD]: During forward rotation [REV]: During reverse rotation [JOGf]: During JOG forward rotation [JOGr]: During JOG reverse rotation [ALARM]: At fault occurrence |
| d | Clock | Displays time. With a battery installed, the clock keeps working even if the inverter power is turned OFF. (For the details, refer to the Instruction Manual of the FR-LU08(-01).) |
| e | Tuning status | Displays the offline auto tuning status of the inverter. <ul style="list-style-type: none"> [TUNE]: During turning or tuning completed [TUNE] highlighted and flickering: Tuning error |
| f | USB connection/ password locked | Displays the connection status of the USB A connector of the inverter and password function setting status. <ul style="list-style-type: none"> [USB-A]: USB connection recognized [USB-A] highlighted: USB ready [USB-A] flickering: During USB operation [LOCK]: Password locked |
| g | PLC function/JOG operation | Displays the status of the PLC function and JOG operation. <ul style="list-style-type: none"> [P.RUN]: During stop with the PLC function enabled [P.RUN] highlighted: During PLC function operation [P.RUN] highlighted and flickering: Operation error in the PLC function [JOG]: JOG operation enabled |
| h | Warning | Displays an inverter warning. |
| i | Unit | Shows the unit of the value on the main monitor. |
| j | Operation mode | Displays the operation mode. <ul style="list-style-type: none"> [AUTO]: AUTO (External) operation mode [HAND]: HAND (PU) operation mode [EXTj]: AUTOJOG (External JOG) operation mode [PUj]: HANDJOG (PUJOG) operation mode [NET]: Network operation mode [PU+E]: AUTO (External) / HAND (PU) combined operation mode |
| k | Software key | Displays operations performed by pressing the F1 (left), F2 (center), or F3 (right) keys. |
| l | Scroll | Displayed when any data can be scrolled by turning  . |

2.7.3 Basic operation of the operation panel

For the details of operating procedures for the operation panel, refer to the Instruction Manual of the FR-LU08(-01).



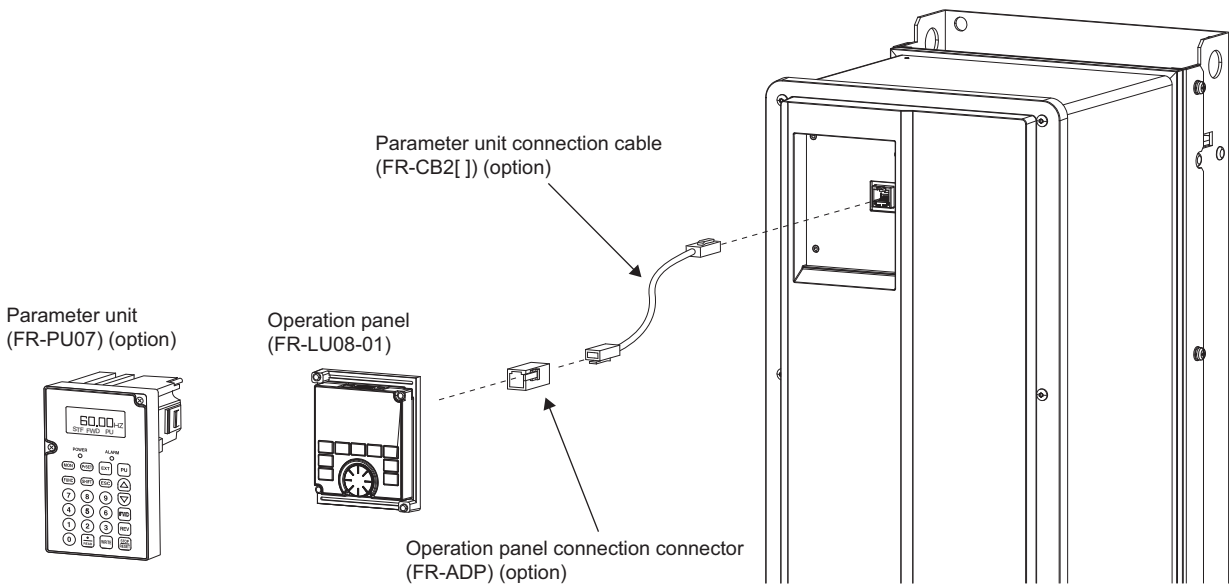
2

2.8 Communication connectors and terminals

2.8.1 PU connector

◆ Mounting the operation panel or parameter unit

- With a connection cable, the operation panel or the parameter unit can be connected to the inverter.
(A connection connector is also required for connecting the operation panel.)
Use the option FR-CB2[] cable (and FR-ADP connector), or a cable and connector available on the market.
Securely insert both ends of the connection cable until the stoppers are fixed.
- If the operation panel is removed from the inverter, the inverter does not conform to IP55.



NOTE

- Refer to the following table when fabricating the cable on the user side. Keep the total cable length within 20 m.

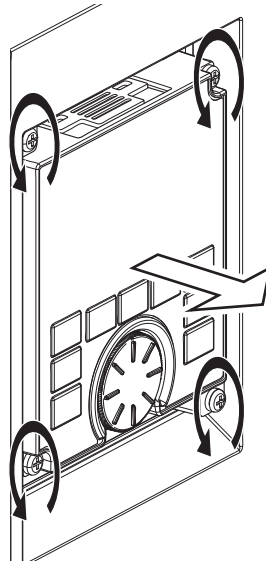
| Name | Remarks |
|---------------------|---|
| Communication cable | Cable compliant with EIA-568 (such as 10BASE-T cable) |

◆ Communication operation

- Using the PU connector enables communication operation from a personal computer, etc. When the PU connector is connected with a personal, FA or other computer by a communication cable, a user program can run to monitor the inverter or read and write parameters.
Communication can be performed with the Mitsubishi inverter protocol (computer link operation).
For the details, refer to the FR-F800 Instruction Manual (Detailed).
- If the operation panel is removed from the inverter, the inverter does not conform to IP55.

◆ Removal and reinstallation of the operation panel

- Loosen the four fixing screws on the operation panel and pull out the operation panel. (These screws cannot be removed.)

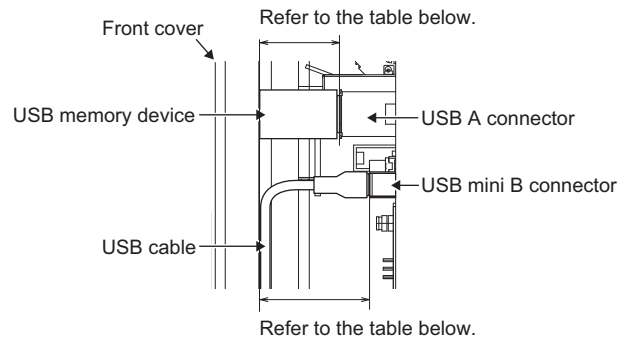
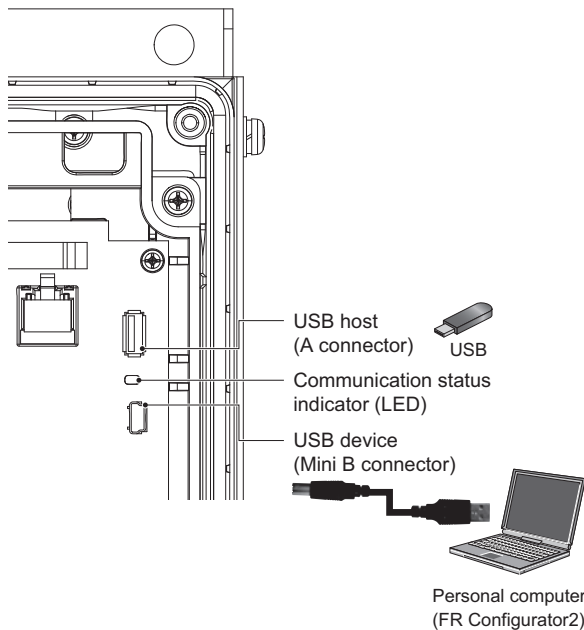


- To reinstall the operation panel, align its connector on the back with the PU connector of the inverter, and insert the operation panel. After confirming that the operation panel is fit securely, tighten the screws in the diagonal order. (Tightening torque: 0.39 to 0.49 N·m)

2.8.2 USB connector

◆ Connection to the USB connectors

- Before removing a front cover, check to make sure that the indication of the inverter operation panel is OFF, wait for at least 10 minutes after the power supply has been switched OFF, and check that there is no residual voltage using a tester or the like.
- Connect a USB memory device to the USB A connector, and a USB cable to the USB mini B connector. Refer to the following for the clearance required for the USB memory device and USB cable. They must fit in the space between each connector and the front cover.



| Inverter | Space between the connector and the front cover | |
|-------------------------------------|---|----------------------|
| | USB A connector | USB mini B connector |
| FR-F846-00023(0.75K) to 00170(7.5K) | 66 mm | 75 mm |
| FR-F846-00250(11K) to 00470(22K) | 28 mm | 38 mm |
| FR-F846-00620(30K) to 01160(55K) | 55 mm | 64 mm |
| FR-F846-01800(75K) to 02600(110K) | 41 mm | 50 mm |
| FR-F846-03250(132K), 03610(160K) | 36 mm | 45 mm |

◆ USB host communication

| | | |
|------------------------------|----------------------------|--|
| Interface | | Conforms to USB1.1 |
| Transmission speed | | 12 Mbps |
| Wiring length | | Maximum 5 m |
| Connector | | USB A connector (receptacle) |
| Compatible USB memory | Format | FAT32 |
| | Capacity | 1 GB or more (used in the recorder mode of the trace function) |
| | Encryption function | Not available |

- Different inverter data can be saved in a USB memory device.
The USB host communication enables the following functions.

| Function | Description |
|------------------------|--|
| Parameter copy | <ul style="list-style-type: none"> • Copies the parameter setting from the inverter to the USB memory device. A maximum of 99 parameter setting files can be saved in a USB memory device. • The parameter setting data copied in the USB memory device can be copied to other inverters. This function is useful in backing up the parameter setting or for sharing the parameter setting among multiple inverters. • The parameter setting file can be copied onto a personal computer from the USB memory device and edited using FR Configurator 2. |
| Trace | <ul style="list-style-type: none"> • The monitored data and output status of the signals can be saved in a USB memory device. • The saved data can be imported to FR Configurator 2 to diagnose the operating status of the inverter. |
| PLC function data copy | <ul style="list-style-type: none"> • This function copies the PLC function project data to a USB memory device when the PLC function is used. • The PLC function project data copied in the USB memory device can be copied to other inverters. • This function is useful in backing up the parameter setting and for allowing multiple inverters to operate by the same sequence programs. |

- The operating status of the USB host can be checked on the operation panel. Refer to [page 50](#) for details.
The operating status of the USB host can be checked on the LED display of the inverter.

| LED display status | Operating status |
|--------------------|---|
| OFF | No USB connection. |
| ON | The communication is established between the inverter and the USB device. |
| Flickering rapidly | The USB memory device is being accessed. (Do not remove the USB memory device.) |
| Flickering slowly | Error in the USB connection. |

- When a device such as a USB battery charger is connected to the USB connector and an excessive current (500 mA or more) flows, USB host error(UF warning) is displayed on the operation panel.
- When the UF warning appears, the USB error can be canceled by removing the USB device and setting **Pr.1049** = "1". (The UF warning can also be canceled by resetting the inverter power or resetting with the RES signal.)

 **NOTE**

- Do not connect devices other than a USB memory device to the inverter.
- If a USB device is connected to the inverter via a USB hub, the inverter cannot recognize the USB memory device properly.
- For the details of the usage of the USB connector, refer to the FR-F800 Instruction Manual (Detailed).


◆ USB device communication

The inverter can be connected to a personal computer with a USB (Ver. 1.1) cable.
Parameter setting and monitoring can be performed by FR Configurator 2.

| | |
|---------------------------|-----------------------------------|
| Interface | Conforms to USB1.1 |
| Transmission speed | 12 Mbps |
| Wiring length | Maximum 5 m |
| Connector | USB mini B connector (receptacle) |
| Power supply | Self-powered |

 **NOTE**

- For the details of FR Configurator 2, refer to the Instruction Manual of FR Configurator 2.

 **Warning**

- While power is ON or when the inverter is running, do not open the front cover. Otherwise you may get an electric shock.

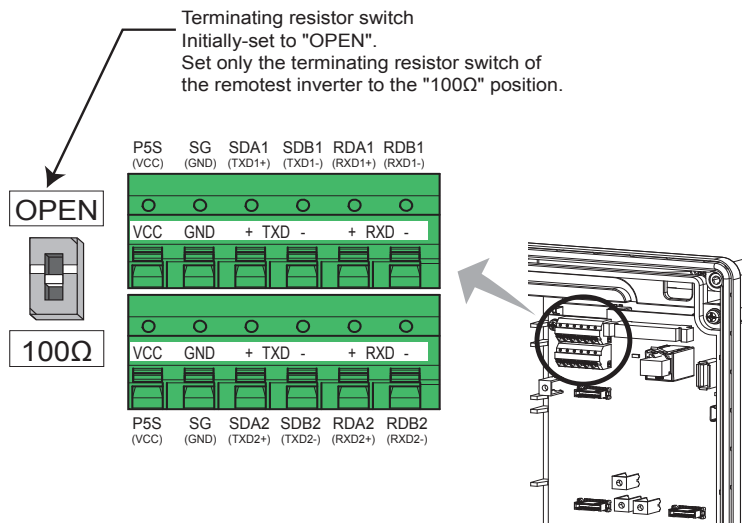
2.8.3 RS-485 terminal block

◆ Communication operation

| | |
|----------------------------|------------------------------|
| Conforming standard | EIA-485 (RS-485) |
| Transmission format | Multidrop link |
| Communication speed | maximum 115200 bps |
| Overall length | 500 m |
| Connection cable | Twisted pair cable (4 pairs) |

The RS-485 terminals enable communication operation from a personal computer, etc. When the PU connector is connected with a personal, FA or other computer by a communication cable, a user program can run to monitor the inverter or read and write parameters.

Communication can be performed with the Mitsubishi inverter protocol (computer link operation) and MODBUS RTU protocol. For the details, refer to the FR-F800 Instruction Manual (Detailed).



NOTE

- To avoid malfunction, keep the RS-485 terminal wires away from the control circuit board.
- When is used with a plug-in option, lead the wires on the left side of the plug-in option for wiring of the RS-485 terminals.

2.9 Connection of stand-alone option units

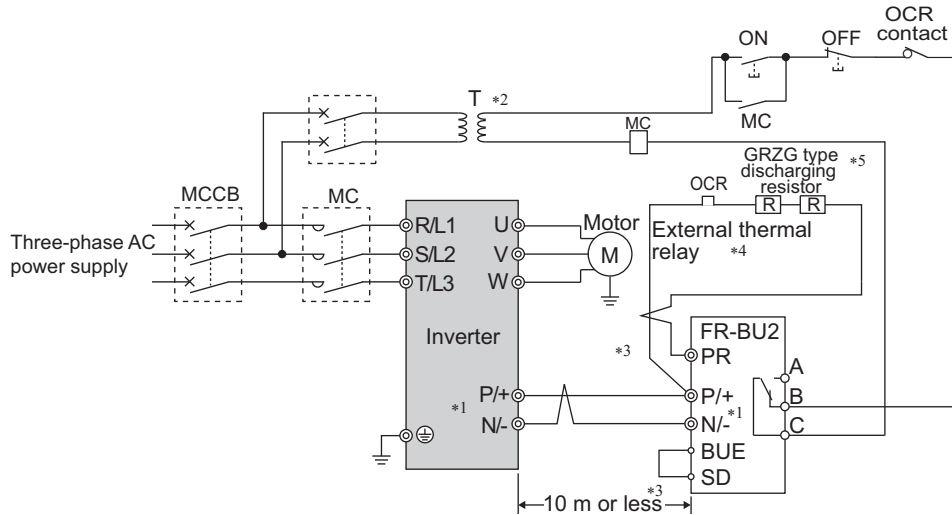
The inverter accepts a variety of stand-alone option units as required.

Incorrect connection will cause inverter damage or accident. Connect and operate the option unit carefully in accordance with the corresponding option unit manual.

2.9.1 Connection of the brake unit (FR-BU2)

Connect the brake unit (FR-BU2(H)) as shown below to improve the braking capability during deceleration.

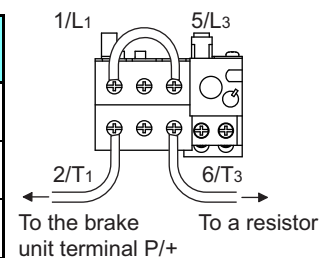
◆ Connection example with the GRZG type discharging resistor



- *1 When wiring, make sure to match the terminal symbol (P/+, N/-) at the inverter side and at the brake unit (FR-BU2) side. (Incorrect connection will damage the inverter and brake unit.)
- *2 Install a stepdown transformer.
- *3 The wiring distance between the inverter and brake unit (FR-BU2), and between the brake unit (FR-BU2) and discharging resistor must be within 5 m. Even when the wires are twisted, the cable length must be within 10 m.
- *4 It is recommended to install an external thermal relay to prevent overheating of the discharging resistor.
- *5 For the connection method of the discharging resistor, refer to the Instruction Manual of the FR-BU2.

• Recommended external thermal relay

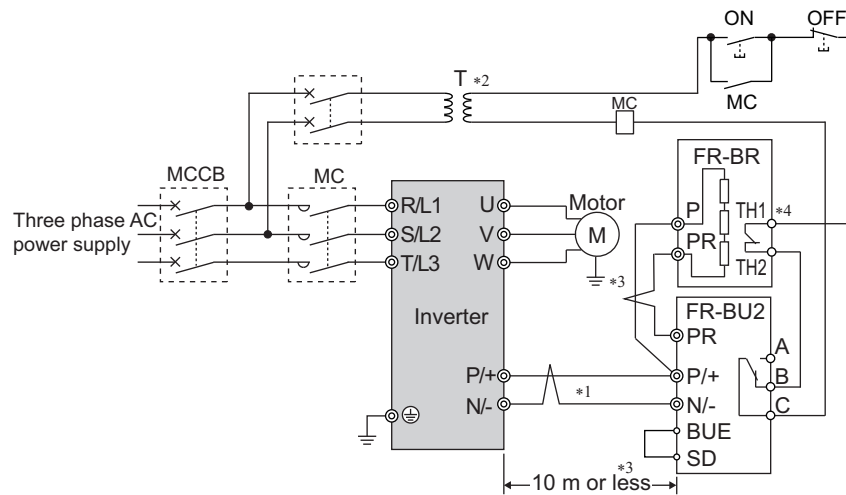
| Brake unit | Discharging resistor | Recommended external thermal relay |
|--------------|-----------------------------------|------------------------------------|
| FR-BU2-H7.5K | GRZG 200-10Ω (six in series) | TH-T25-3.6A |
| FR-BU2-H15K | GRZG 300-5Ω (eight in series) | TH-T25-6.6A |
| FR-BU2-H30K | GRZG 400-2Ω (twelve in series) | TH-T25-11A |



NOTE

- Set "1" in **Pr.0 Brake mode selection** of the FR-BU2 to use a GRZG type discharging resistor.
- Do not remove the jumper across terminals P/+ and P1.

◆ Connection example with the FR-BR-(H) resistor unit



- *1 When wiring, make sure to match the terminal symbol (P/+, N/-) at the inverter side and at the brake unit (FR-BU2) side. (Incorrect connection will damage the inverter and brake unit.)
- *2 Install a stepdown transformer.
- *3 The wiring distance between the inverter and brake unit (FR-BU2), and between the brake unit (FR-BU2) and resistor unit (FR-BR) must be within 5 m. Even when the wires are twisted, the cable length must be within 10 m.
- *4 The contact between TH1 and TH2 is closed in the normal status and is open at a fault.

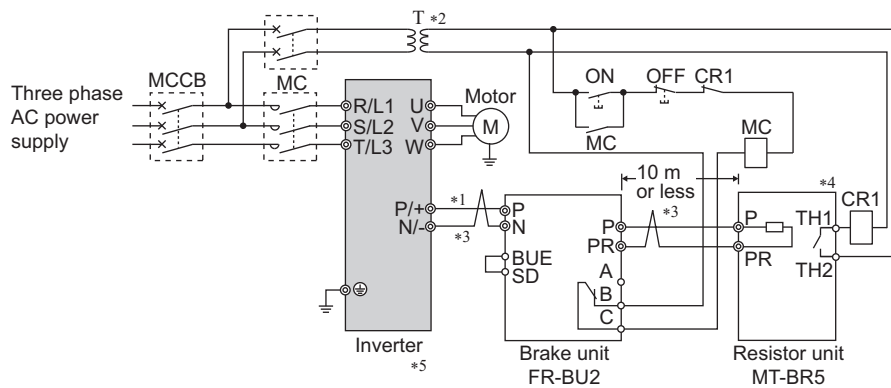
NOTE

- Do not remove the jumper across terminals P/+ and P1.

◆ Connection example with the MT-BR5 type resistor unit

After wiring securely, set **Pr.30 Regenerative function selection** = "0".

Set **Pr.0 Brake mode selection** = "2" in the brake unit FR-BU2.



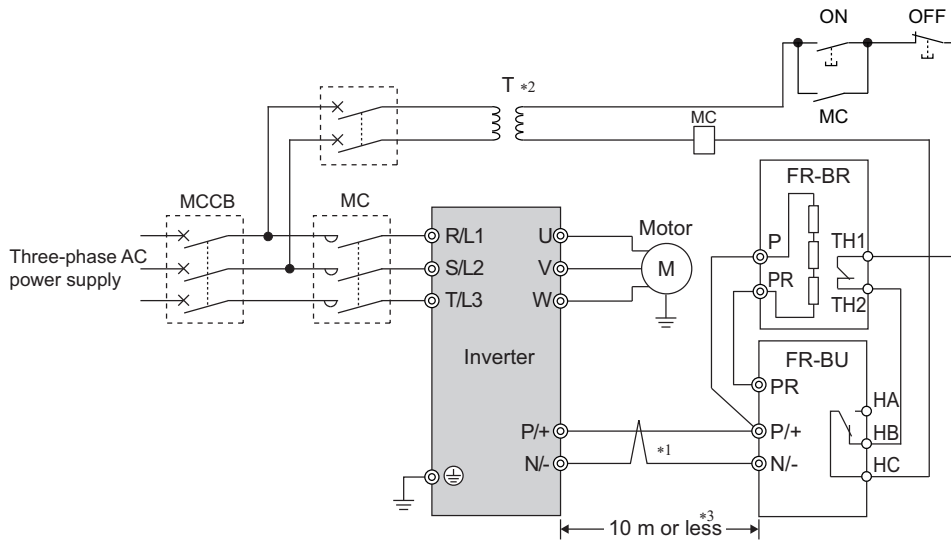
- *1 When wiring, make sure to match the terminal symbol (P/+, N/-) at the inverter side and at the brake unit (FR-BU2) side. (Incorrect connection will damage the inverter and brake unit.)
- *2 Install a stepdown transformer.
- *3 The wiring distance between the inverter and brake unit (FR-BU2), and between the brake unit (FR-BU2) and resistor unit (MT-BR5) must be within 5 m. Even when the wire is twisted, the cable length must be within 10 m.
- *4 The contact between TH1 and TH2 is open in the normal status and is closed at a fault.
- *5 The CN8 connector used with the MT-BU5 type brake unit is not used.

NOTE

- The stall prevention (overvoltage), oL, does not occur while **Pr.30 Regenerative function selection** = "0". (Refer to the FR-F800 Instruction Manual (Detailed).)

2.9.2 Connection of the brake unit (FR-BU)

Connect the brake unit (FR-BU(H)) as shown below to improve the braking capability during deceleration. The FR-BU is compatible with the FR-F846-01160(55K) or lower.



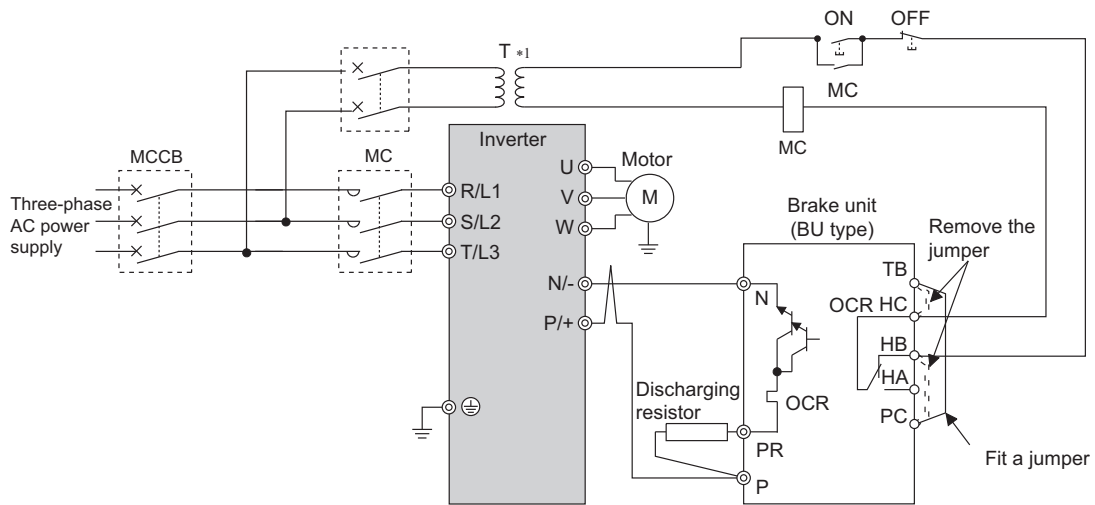
- *1 When wiring, make sure to match the terminal symbol (P/+, N/-) at the inverter side and at the brake unit (FR-BU(H)) side. (Incorrect connection will damage the inverter.)
- *2 Install a stepdown transformer.
- *3 The wiring distance between the inverter and brake unit (FR-BU), and between the brake unit (FR-BU) and resistor unit (FR-BR) must be within 5 m. Even when the cable is twisted, the wiring length must be within 10 m.

NOTE

- If the transistors in the brake unit should become faulty, the resistor will overheat. Install a magnetic contactor on the inverter's input side and configure a circuit that shut off the current in case of a fault.
- Do not remove the jumper across terminals P/+ and P1.

2.9.3 Connection of the brake unit (BU type)

Connect the brake unit (BU type) correctly as shown below. Incorrect connection will damage the inverter. Remove the jumpers across terminals HB and PC and terminals TB and HC of the brake unit and fit one across terminals PC and TB. The BU type is compatible with the FR-F846-01160(55K) or lower.



*1 Install a stepdown transformer.

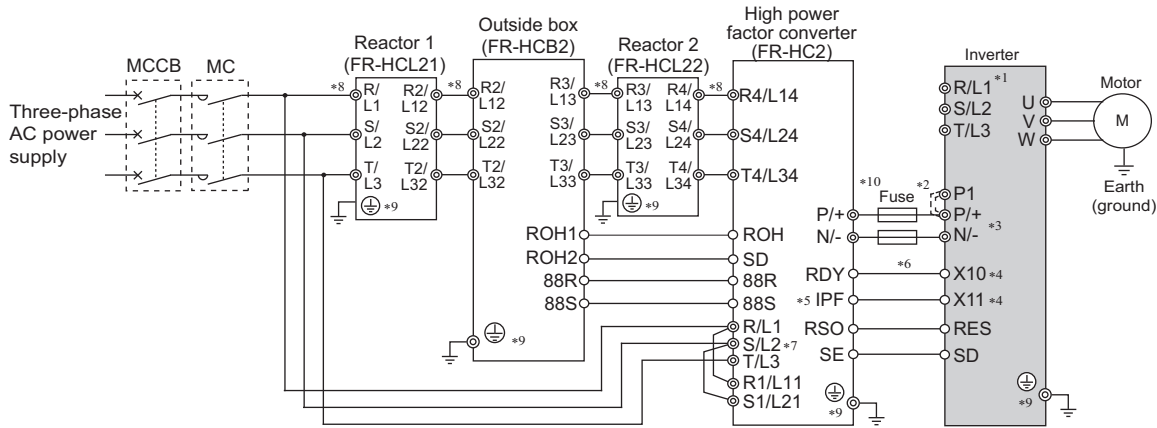
NOTE

- The wiring distance between the inverter and brake unit (BU type), and between the brake unit (BU type) and discharging resistor must be within 2 m. Even when the cable is twisted, the wiring length must be within 5 m.
- If the transistors in the brake unit should becomes faulty, the resistor will overheat and result in a fire. Install a magnetic contactor on the inverter's input side and configure a circuit that shut off the current in case of a fault.
- Remove the jumper across terminals P/+ and P1.

2.9.4 Connection of the high power factor converter (FR-HC2)

When connecting the high power factor converter (FR-HC2) to suppress power harmonics, perform wiring securely as shown below. Incorrect connection will damage the high power factor converter and the inverter.

After making sure that the wiring is correct, set "rated motor voltage" in **Pr.19 Base frequency voltage** (under V/F control) or **Pr.83 Rated motor voltage** (under other than V/F control) and "2" in **Pr.30 Regenerative function selection**.



- *1 Do not connect anything to power input terminals (R/L1, S/L2, T/L3). Incorrect connection will damage the inverter. (E.OPT (option fault) will occur.)
- *2 Remove the jumper across terminals P/+ and P1.
- *3 Do not install an MCCB across the terminals P/+ and N/- (across terminals P and P/+ or across N and N/-). Connecting the opposite polarity of terminals N/- and P/+ will damage the inverter.
- *4 Use **Pr.178 to Pr.189 (input terminal function selection)** to assign the terminals used for the X10 (X11) signal. For RS-485 or any other communication where the start command is only transmitted once, use the X11 signal to save the operation mode at the time of an instantaneous power failure.
- *5 Assign the IPF signal to an FR-HC2 terminal. (Refer to the Instruction Manual of FR-HC2.)
- *6 Always connect the FR-HC2 terminal RDY to a terminal where the X10 signal or MRS signal is assigned in the inverter. Always connect the FR-HC2 terminal SE to the inverter terminal SD. Not connecting these terminals may damage the FR-HC2.
- *7 Always connect the R/L1, S/L2, and T/L3 terminals of FR-HC2 to the power supply. Operating the inverter without connecting them will damage the FR-HC2.
- *8 Do not install an MCCB or MC between the reactor 1 terminals (R/L1, S/L2, T/L3) and the FR-HC2 terminals (R4/L14, S4/L24, T4/L34). It will not operate properly.
- *9 Securely perform grounding (earthing) by using the grounding (earthing) terminal.
- *10 Installation of a fuse is recommended. (Refer to the Instruction Manual of FR-HC2.)

NOTE

- The voltage phases of terminals R/L1, S/L2, and T/L3 and the voltage phases of terminals R4/L14, S4/L24, and T4/L34 must be matched.
- The control logic (sink logic/source logic) of the high power factor converter and the inverter must be matched. (Refer to [page 40](#).)
- For the parameter details, refer to the FR-F800 Instruction Manual (Detailed).

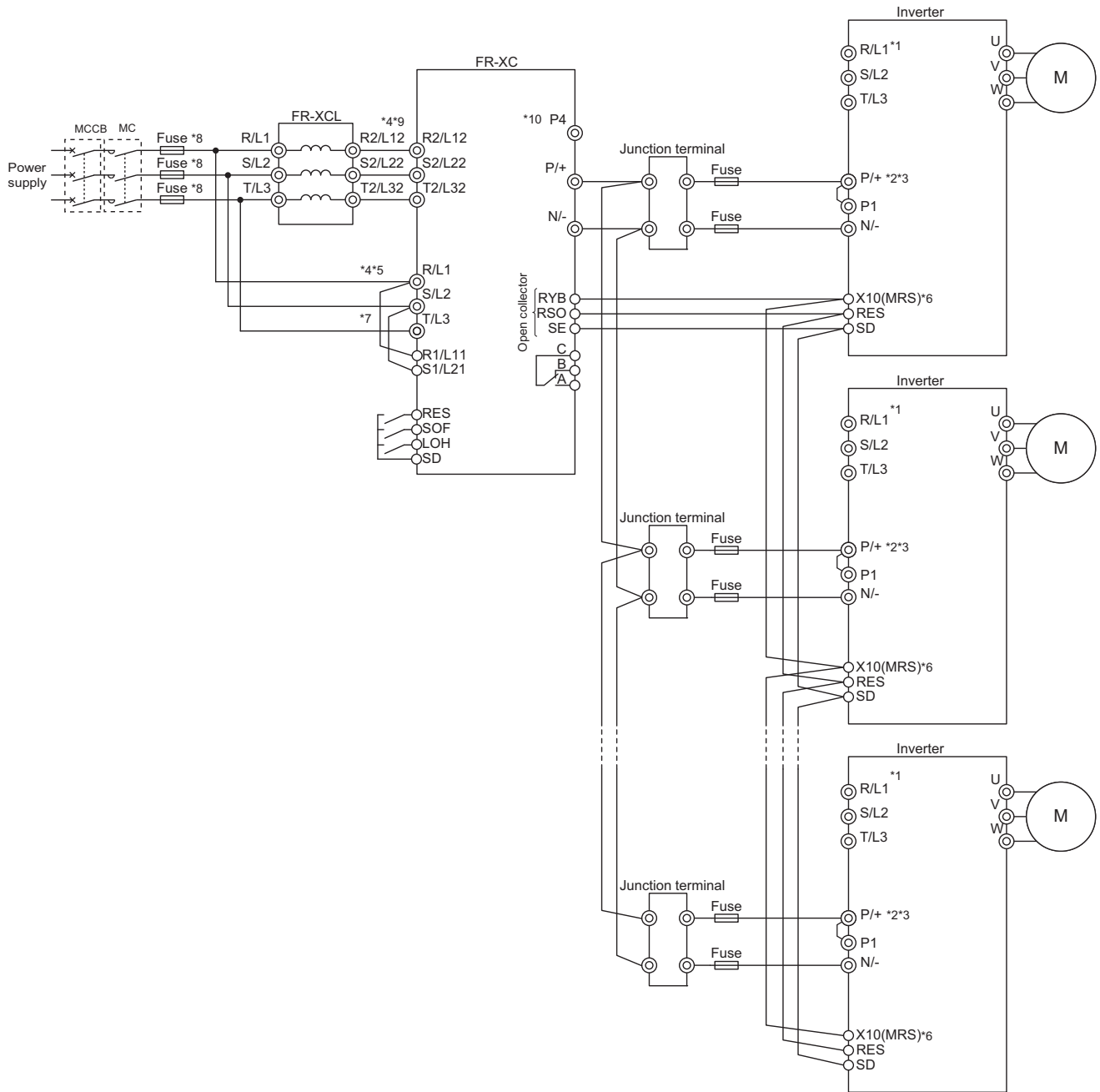
2.9.5 Connection of the multifunction regeneration converter (FR-XC)

◆ Common bus regeneration mode with harmonic suppression disabled (Pr.416 = "0")

When connecting the multifunction regeneration converter (FR-XC) to improve the braking capability, perform wiring securely as follows. Failure to do so will damage the converter and the inverter.

Turn ON switch 1 (connection mode setting switch) in the function selection switch assembly (SW2). If the switch setting does not match the actual wiring, the connection mode fault "E.T" occurs.

After making sure that the wiring is correct and secure, set "2 or 102" in **Pr.30 Regenerative function selection**.



- *1 Never connect the power supply to terminals R/L1, S/L2, and T/L3 on the inverter. Incorrect connection will damage the inverter and the converter.
- *2 Remove the jumper across terminals P/+ and P1.
- *3 Connect between the inverter terminal P/+ and the converter terminal P/+ and between the inverter terminal N/- and the converter terminal N/- for polarity consistency.
Connecting opposite polarity of terminals P/+ and N/- will damage the converter and the inverter.
- *4 Confirm the correct phase sequence of three-phase current to connect between the reactor and the converter, and between the power supply and terminals R/L1, S/L2, and T/L3.
Incorrect connection will damage the converter.
- *5 Be sure to connect the power supply and terminals R/L1, S/L2, and T/L3 of the converter. Operating the inverter without connecting them will damage the converter.
- *6 Use Pr.178 to Pr.189 (Input terminal function selection) to assign the terminals used for the X10 signal.
- *7 To use separate power supply for the control circuit, remove each jumper at terminal R1/L11 and terminal S1/L21.
- *8 Install UL listed fuses on the input side of the reactor to meet the UL/cUL standards (refer to the FR-XC Instruction Manual for information about the fuse).
- *9 Do not install an MCCB or MC between the reactor and the converter. Doing so disrupts proper operation.
- *10 Do not connect anything to terminal P4.



Caution

- In the common bus regeneration mode, always connect between the converter terminal RYB and the inverter terminal to which the X10 (MRS) signal is assigned and between the converter terminal SE and the inverter terminal SD. If the terminals are not connected, the converter may be damaged.

NOTE

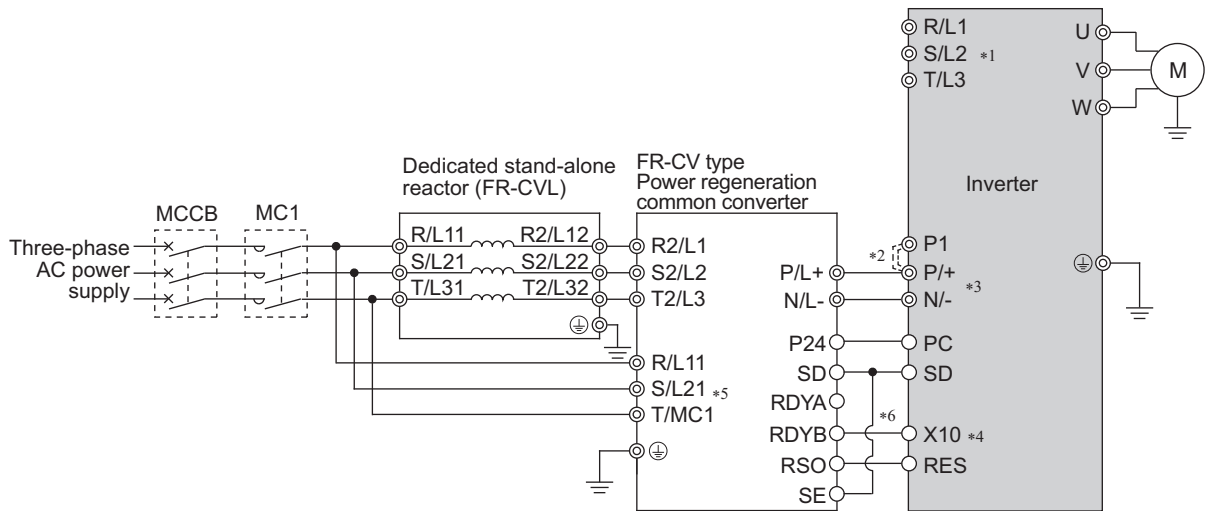
- The control logic (sink logic/source logic) of the converter and the inverter must be matched. The converter does not operate properly if the control logic is not consistent with each other.
(Refer to [page 40](#) for the switching of the control logic. Refer to the FR-XC Instruction Manual for the switching of the control logic of the converter.)
- Keep the wiring length between terminals as short as possible.
- When the power is distorted or falls off sharply, the reactors may generate abnormal acoustic noise. This acoustic noise is caused by the power supply fault and not by the damage of the converter.
- Configure a system so that the magnetic contactor at the converter input side shuts off the power supply at a failure of the converter or the connected inverter. (The converter does not shut off the power supply by itself.) Failure to do so may overheat and burn the resistors in the converter and the connected inverter.
- For details on model selection and connection, refer to the FR-XC Instruction Manual.
- For details on connection in common bus regeneration mode with harmonic suppression enabled or in power regeneration mode 2, refer to the FR-XC Instruction Manual.

2.9.6 Connection of the power regeneration common converter (FR-CV)

When connecting the power regeneration common converter (FR-CV), connect the inverter terminals (P/+, N/-) and the power regeneration common converter (FR-CV) terminals as shown below so that their symbols match with each other.

The FR-CV is applicable to FR-F846-01160(55K) or lower.

After making sure that the wiring is correct, set "2" or "102" in **Pr.30 Regenerative function selection**.



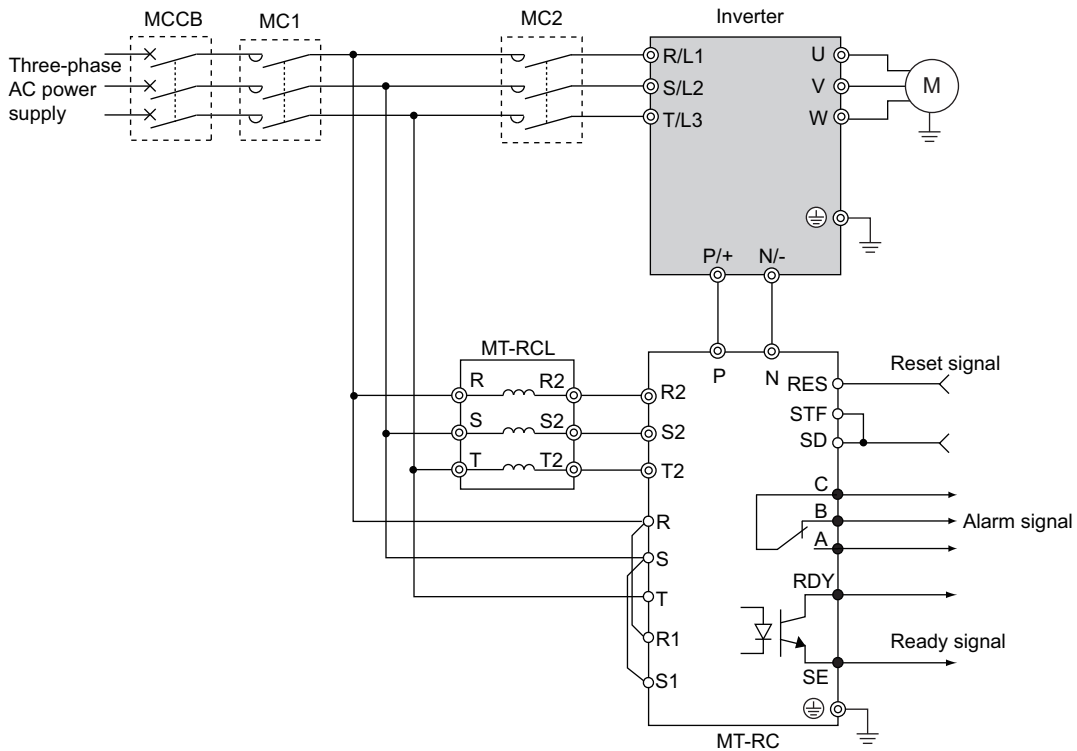
- *1 Do not connect anything to power input terminals (R/L1, S/L2, T/L3). Incorrect connection will damage the inverter. (E.OPT (option fault) will occur).
- *2 Remove the jumper across terminals P/+ and P1.
- *3 Do not insert an MCCB between terminals P/+ and N/- (between terminals P/L+ and P/+ or between N/L- and N/-). Connecting the opposite polarity of terminals N/- and P/+ will damage the inverter.
- *4 Use **Pr.178 to Pr.189 (input terminal function selection)** to assign the terminals used for the X10 signal.
- *5 Be sure to connect the power supply and terminals R/L11, S/L21, and T/MC1. Operating the inverter without connecting them will damage the power regeneration common converter.
- *6 Always connect terminal RDYB of the FR-CV to the inverter terminal where the X10 signal or the MRS signal is assigned to. Always connect terminal SE of the FR-CV to the inverter terminal SD. Not connecting these terminals may damage the FR-CV.

NOTE

- The voltage phases of terminals R/L11, S/L21, and T/MC1 and the voltage phases of terminals R2/L1, S2/L2, and T2/L3 must be matched.
- Use the sink logic (initial setting for the FM type) when the FR-CV is connected. It cannot be connected when the source logic is selected.
- For the parameter details, refer to the FR-F800 Instruction Manual (Detailed).

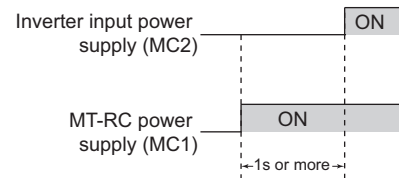
2.9.7 Connection of the power regeneration converter (MT-RC)

When connecting the power regeneration converter (MT-RC), perform wiring securely as shown below. Incorrect connection will damage the power regeneration converter and the inverter. The MT-RC is applicable to FR-F846-01800(75K) or higher. After making sure that the wiring is correct, set "0" in **Pr.30 Regenerative function selection**.



NOTE

- When using the inverter with the MT-RC, install a magnetic contactor (MC) at the input side of the inverter so that power is supplied to the inverter after 1 second or more has elapsed after powering ON the MT-RC. When power is supplied to the inverter prior to the MT-RC, the inverter and the MT-RC may be damaged or the MCCB may trip or be damaged.
- When connecting the power coordination reactor and others, refer to Instruction Manual of the MT-RC for precautions.



3 PRECAUTIONS FOR USE OF THE INVERTER

This chapter explains the precautions for use of this product. Always read the instructions before using the equipment.

| | | |
|------------|---|-----------|
| 3.1 | Electro-magnetic interference (EMI) and leakage currents .. | 66 |
| 3.2 | Power supply harmonics | 71 |
| 3.3 | Installation of a reactor | 74 |
| 3.4 | Power-OFF and magnetic contactor (MC) | 75 |
| 3.5 | Countermeasures against deterioration of the 400 V class motor insulation..... | 76 |
| 3.6 | Checklist before starting operation | 77 |
| 3.7 | Failsafe system which uses the inverter | 79 |

3.1 Electro-magnetic interference (EMI) and leakage currents

3.1.1 Leakage currents and countermeasures

Capacitance exist between the inverter I/O cables, other cables and earth and in the motor, through which a leakage current flows. Since its value depends on the static capacitances, carrier frequency, etc., low acoustic noise operation at the increased carrier frequency of the inverter will increase the leakage current. Therefore, take the following precautions. Select the earth leakage current breaker according to its rated sensitivity current, independently of the carrier frequency setting.

◆ To-earth (ground) leakage currents

Leakage currents may flow not only into the power system of the inverter but also into the power systems through the earthing (grounding) cable, etc. These leakage currents may operate earth leakage circuit breakers and earth leakage relays unnecessarily.

● Suppression technique

- If the carrier frequency setting is high, decrease the **Pr.72 PWM frequency selection** setting. Note that motor noise increases. Selecting **Pr.240 Soft-PWM operation selection** makes the sound inoffensive.
- By using earth leakage circuit breakers designed to suppress harmonics and surge voltage in the power system of the inverter and other devices, operation can be performed with the carrier frequency kept high (with low noise).

● To-earth (ground) leakage currents

- Take caution as long wiring will increase the leakage current. Decreasing the carrier frequency of the inverter reduces the leakage current.
- Increasing the motor capacity increases the leakage current.

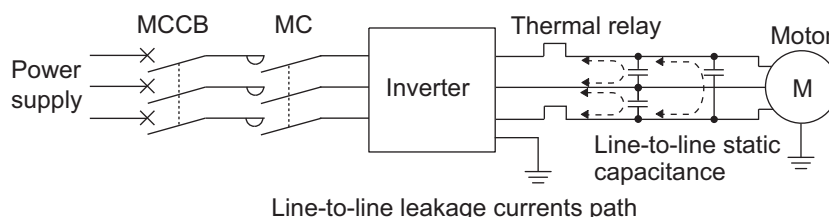
◆ Line-to-line leakage currents

Harmonics of leakage currents flowing in static capacitance between the inverter output cables may operate the external thermal relay unnecessarily. When the wiring length is long (50 m or more) for small-capacity models (FR-F846-00170(7.5K) or lower), the external thermal relay is likely to operate unnecessarily because the ratio of the leakage current to the rated motor current increases.

● Line-to-line leakage current example

| Motor capacity (kW) | Rated motor current (A) | Leakage current (mA) | |
|---------------------|-------------------------|----------------------|---------------------|
| | | Wiring length 50 m | Wiring length 100 m |
| 0.4 | 1.8 | 620 | 1000 |
| 0.75 | 3.2 | 680 | 1060 |
| 1.5 | 5.8 | 740 | 1120 |
| 2.2 | 8.1 | 800 | 1180 |
| 3.7 | 12.8 | 880 | 1260 |
| 5.5 | 19.4 | 980 | 1360 |
| 7.5 | 25.6 | 1070 | 1450 |

- Motor: SF-JR 4P
- Carrier frequency: 14.5 kHz
- Cable: 2 mm², 4 cores
- Cabtyre cable



● Precautions

- Use **Pr.9 Electronic thermal O/L relay**.
- If the carrier frequency setting is high, decrease the **Pr.72 PWM frequency selection** setting. Note that motor noise increases. Selecting **Pr.240 Soft-PWM operation selection** makes the sound inoffensive. To ensure that the motor is protected against line-to-line leakage currents, it is recommended to use a temperature sensor to directly detect motor temperature.

● Installation and selection of the molded case circuit breaker

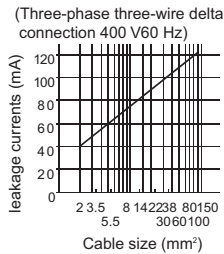
Install a molded case circuit breaker (MCCB) on the power receiving side to protect the wiring at the inverter input side. Select an MCCB according to the inverter input side power factor, which depends on the power supply voltage, output frequency and load. Especially for a completely electromagnetic MCCB, a slightly large capacity must be selected since its operation characteristic varies with harmonic currents. (Check it in the data of the corresponding breaker.) As an earth leakage current breaker, use the Mitsubishi Electric earth leakage current breaker designed for harmonics and surge suppression.

◆ **Selecting the rated sensitivity current for the earth leakage circuit breaker**

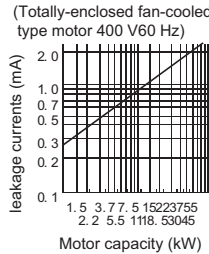
When using an earth leakage circuit breaker with the inverter circuit, select its rated sensitivity current as follows, independently of the PWM carrier frequency.

- Breaker designed for harmonic and surge suppression
 - Rated sensitivity current
 - $I\Delta n \geq 10 \times (I_{g1} + I_{gn} + I_{gi} + I_{g2} + I_{gm})$
 - Standard breaker
 - Rated sensitivity current
 - $I\Delta n \geq 10 \times \{I_{g1} + I_{gn} + I_{gi} + 3 \times (I_{g2} + I_{gm})\}$
- I_{g1}, I_{g2} : Leakage currents in wire path during commercial power supply operation
 I_{gn} : Leakage current of inverter input side noise filter
 I_{gm} : Leakage current of motor during commercial power supply operation
 I_{gi} : Leakage current of inverter unit

Example of leakage current per 1km during the commercial power supply operation when the CV cable is routed in metal conduit



Leakage current example of three-phase induction motor during the commercial power supply operation



For "Δ" connection, the amount of leakage current is approx. 1/3 of the above value.

<Example>

| Item | Breaker designed for harmonic and surge suppression | Standard breaker |
|---|--|------------------|
| Leakage current I_{g1} (mA) | $\frac{1}{3} \times 66 \times \frac{5 \text{ m}}{1000 \text{ m}} = 0.11$ | |
| Leakage current I_{gn} (mA) | 0 (without noise filter) | |
| Leakage current I_{gi} (mA) | 1 (without EMC filter) For the leakage current of the inverter, refer to the following table. | |
| Leakage current I_{g2} (mA) | $\frac{1}{3} \times 66 \times \frac{60 \text{ m}}{1000 \text{ m}} = 1.32$ | |
| Motor leakage current I_{gm} (mA) | 0.36 | |
| Total leakage current (mA) | 2.79 | 6.15 |
| Rated sensitivity current (mA) ($\geq I_g \times 10$) | 30 | 100 |

• Inverter leakage current (with and without EMC filter)

Input power conditions (400 V class: 440 V/60 Hz, power supply unbalance within 3%)

| | Voltage (V) | EMC filter |
|--------------------------------|-------------|------------|
| | | ON (mA)*1 |
| Phase earthing (grounding) | 400 | —*2 |
| Earthed-neutral system | 400 | 2 |

*1 Do not change the initially set ON (enabled) position of the EMC filter ON/OFF connector in the case of the inverter. The Class C2 compatibility condition is not satisfied with the EMC filter OFF. The FR-F846-00250(11K)-L2 to FR-F846-00470(22K)-L2 are not provided with the EMC filter ON/OFF connector. The EMC filter is always ON.

*2 The inverter must be used in the earthed-neutral system.

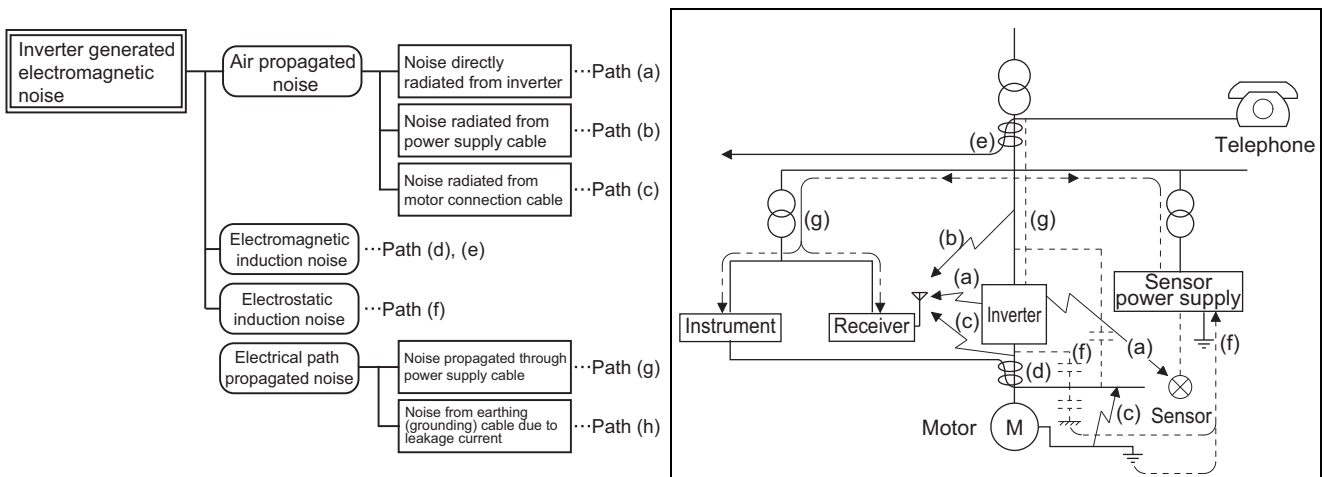
NOTE

- Install the earth leakage circuit breaker (ELB) on the input side of the inverter.
- In the Δ connection earthed-neutral system, the sensitivity current is blunt against a ground fault in the inverter output side. Earthing (Grounding) must conform to the requirements of national and local safety regulations and electrical codes. (NEC section 250, IEC 536 class 1 and other applicable standards)
- When the breaker is installed on the output side of the inverter, it may be unnecessarily operated by harmonics even if the effective value is within the rating.
In this case, do not install the breaker since the eddy current and hysteresis loss will increase, leading to temperature rise.
- The following models are standard breakers: BV-C1, BC-V, NVB, NV-L, NV-G2N, NV-G3NA, NV-2F, earth leakage relay (except NV-ZHA), and NV with AA neutral wire open-phase protection. The other models are designed for harmonic and surge suppression: NV-C/NV-S/MN series, NV30-FA, NV50-FA, BV-C2, earth leakage alarm breaker (NF-Z), NV-ZHA, and NV-H.

3.1.2 Countermeasures against inverter-generated EMI

Some electromagnetic noises enter the inverter to cause the inverter malfunction, and others are radiated by the inverter to cause the peripheral devices to malfunction. Though the inverter is designed to have high immunity performance, it handles low-level signals, so it requires the following basic techniques. Also, since the inverter chops outputs at high carrier frequency, that could generate electromagnetic noises. If these electromagnetic noises cause peripheral devices to malfunction, EMI countermeasures should be taken to suppress noises. These techniques differ slightly depending on EMI paths.

- Basic techniques
 - Do not run the power cables (I/O cables) and signal cables of the inverter in parallel with each other and do not bundle them.
 - Use shielded twisted pair cables for the detector connecting and control signal cables and connect the sheathes of the shielded cables to terminal SD.
 - Ground (Earth) the inverter, motor, etc. at one point.
- Techniques to reduce electromagnetic noises that enter and cause a malfunction of the inverter (EMI countermeasures)
When devices that generate many electromagnetic noises (which use magnetic contactors, electromagnetic brakes, many relays, for example) are installed near the inverter and the inverter may malfunction due to electromagnetic noises, the following countermeasures must be taken:
 - Provide surge suppressors for devices that generate many electromagnetic noises to suppress electromagnetic noises.
 - Install data line filters (page 69) to signal cables.
 - Ground (Earth) the shields of the detector connection and control signal cables with cable clamp metal.
- Techniques to reduce electromagnetic noises that are radiated by the inverter to cause the peripheral devices to malfunction (EMI countermeasures)
Inverter-generated noises are largely classified into those radiated by the cables connected to the inverter and inverter main circuits (I/O), those electromagnetically and electrostatically induced to the signal cables of the peripheral devices close to the main circuit power supply, and those transmitted through the power supply cables.



| Noise propagation path | Countermeasure |
|------------------------|---|
| (a)(b)(c) | <p>When devices that handle low-level signals and are liable to malfunction due to electromagnetic noises, e.g. instruments, receivers and sensors, are near the inverter or when the signal cables are run near the inverter, the devices may malfunction due to by air-propagated electromagnetic noises. The following countermeasures must be taken:</p> <ul style="list-style-type: none"> • Install easily affected devices as far away as possible from the inverter. • Run easily affected signal cables as far away as possible from the inverter and its I/O cables. • Do not run the signal cables and power cables (inverter I/O cables) in parallel with each other and do not bundle them. • Set the EMC filter ON/OFF connector of the inverter to the ON position. (Refer to page 70.) • Inserting a line noise filter into the output suppresses the radiated noise from the cables. • Use shielded cables as signal cables and power cables and run them in individual metal conduits to produce further effects. |
| (d)(e)(f) | <p>When the signal cables are run in parallel with or bundled with the power cables, magnetic and static induction noises may be propagated to the signal cables to cause malfunction of the devices and the following countermeasures must be taken:</p> <ul style="list-style-type: none"> • Install easily affected devices as far away as possible from the inverter. • Run easily affected signal cables as far away as possible from the inverter and its I/O cables. • Do not run the signal cables and power cables (inverter I/O cables) in parallel with each other and do not bundle them. • Use shielded cables as signal cables and power cables and run them in individual metal conduits to produce further effects. |
| (g) | <p>When the peripheral devices use the power system of the inverter, inverter-generated noises may flow back through the power supply cables to cause malfunction of the devices and the following countermeasures must be taken:</p> <ul style="list-style-type: none"> • Set the EMC filter ON/OFF connector of the inverter to the ON position. (Refer to page 70.) • Install the line noise filter (FR-BLF, FR-BSF01) to the power cables (output cables) of the inverter. |
| (h) | <p>When a closed loop circuit is formed by connecting the peripheral device wiring to the inverter, leakage currents may flow through the earthing (grounding) cable of the inverter to cause the device to malfunction. In that case, disconnecting the earthing (grounding) cable from the device may stop the malfunction of the device.</p> |

●Data line filter

Data line filter is effective as an EMI countermeasure. Provide a data line filter for the detector cable, etc.

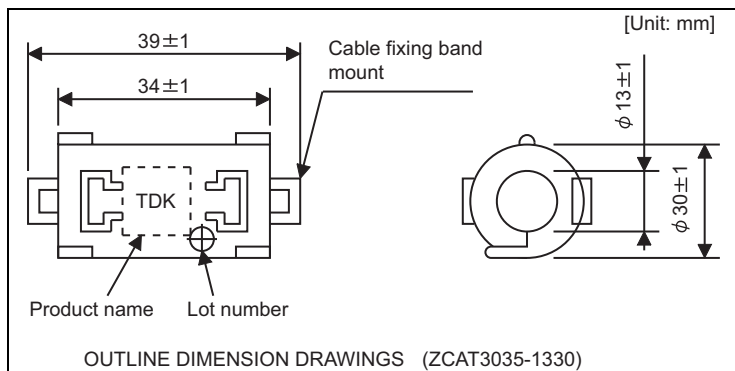
<Example> Data line filter : ZCAT3035-1330 (by TDK)

: ESD-SR-250 (by TOKIN)

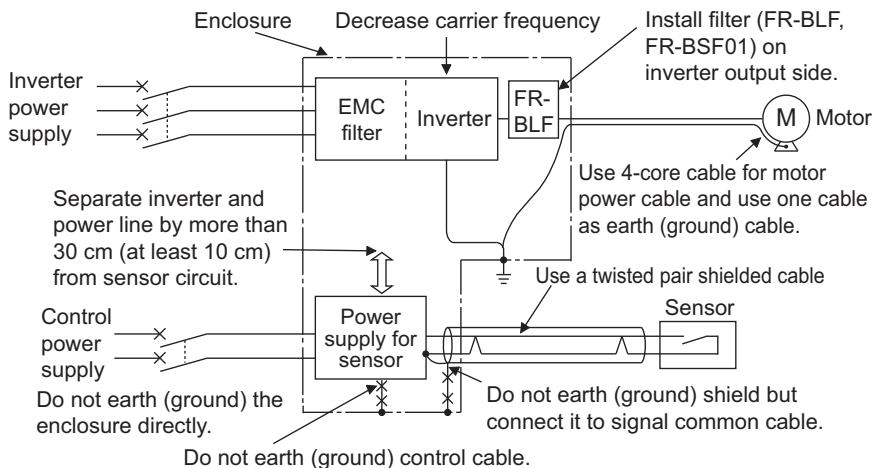
Impedance (ZCAT3035-1330)

| Impedance (Ω) | |
|---------------|----------------|
| 10 to 100 MHz | 100 to 500 MHz |
| 80 | 150 |

The impedance values above are reference values, and not guaranteed values.



●EMI countermeasure example



NOTE

• For compliance with the EU EMC Directive, refer to [page 125.](#)

3.1.3 Built-in EMC filter

This inverter is equipped with a built-in EMC filter (capacitive filter) and a common mode choke.

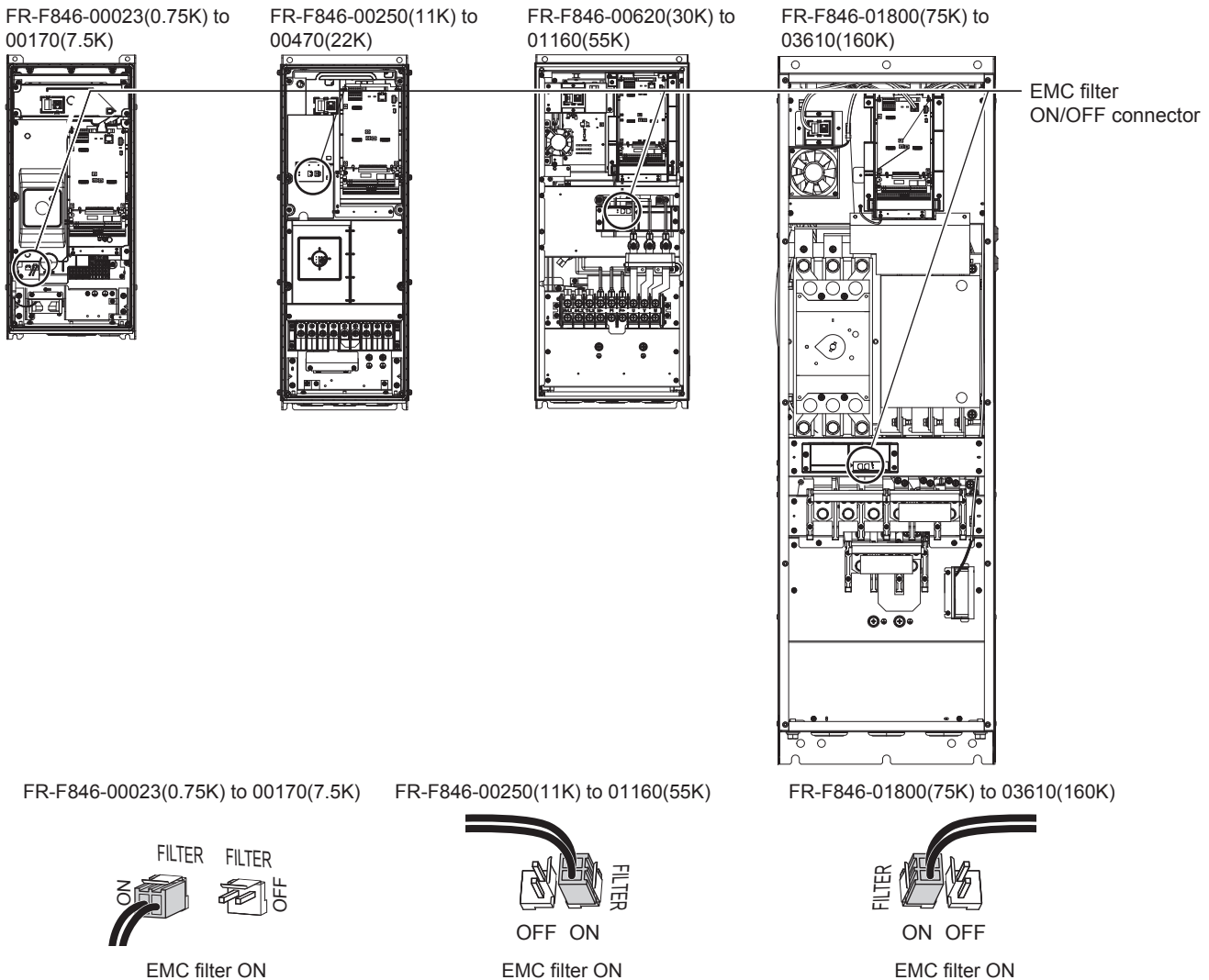
These filters are effective in reducing air-propagated noise on the input side of the inverter.

To enable the EMC filter, fit the EMC filter ON/OFF connector to the ON position. The EMC filter is initially set to the "enabled" (ON) position.

The input side common mode choke, which is built in the inverter, is always enabled regardless of the EMC filter ON/OFF connector setting.

NOTE

- Do not change the initially set ON (enabled) position of the EMC filter ON/OFF connector. The Class C2 compatibility condition is not satisfied with the EMC filter OFF.
- The FR-F846-00250(11K)-L2 to FR-F846-00470(22K)-L2 are not provided with the EMC filter ON/OFF connector. The EMC filter is always ON.



Warning

- While power is ON or when the inverter is running, do not open the front cover. Otherwise you may get an electric shock.

3.2 Power supply harmonics

3.2.1 Power supply harmonics

The inverter may generate power supply harmonics from its converter circuit to affect the power generator, power factor correction capacitor etc. Power supply harmonics are different from noise and leakage currents in source, frequency band and transmission path. Take the following countermeasure suppression techniques.

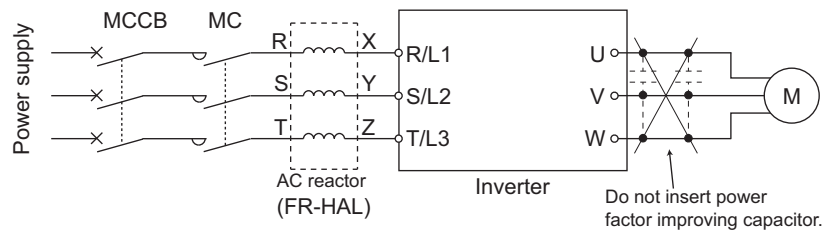
- The differences between harmonics and noises

| Item | Harmonics | Noise |
|-----------------------------|--|---|
| Frequency | Normally 40th to 50th degrees or less (3 kHz or less). | High frequency (several 10 kHz to 1 GHz order). |
| Location | To-electric channel, power impedance. | To-space, distance, wiring path |
| Quantitative understanding | Theoretical calculation possible. | Random occurrence, quantitative grasping difficult. |
| Generated amount | Nearly proportional to the load capacity. | Changes with the current variation ratio. (Gets larger as switching speed increases.) |
| Affected equipment immunity | Specified by standards per equipment. | Different depending on maker's equipment specifications. |
| Countermeasure | Provide an AC reactor. | Increase distance. |

- Countermeasures

The harmonic current generated from the inverter to the input side differs according to various conditions such as the wiring impedance, whether a reactor is used or not, and output frequency and output current on the load side. (A DC reactor is built in to the FR-F806.)

For the output frequency and output current, we understand that this should be calculated in the conditions under the rated load at the maximum operating frequency.



NOTE

- The power factor improving capacitor and surge suppressor on the inverter output side may be overheated or damaged by the harmonic components of the inverter output. Also, since an excessive current flows in the inverter to activate overcurrent protection, do not provide a capacitor and surge suppressor on the inverter output side when the motor is driven by the inverter. For power factor improvement, install a reactor on the inverter input side.

3.2.2 Harmonic suppression guidelines in Japan

Inverters have a converter section (rectifier circuit) and generate a harmonic current.

Harmonic currents flow from the inverter to a power receiving point via a power transformer. The Harmonic Suppression Guidelines was established to protect other consumers from these outgoing harmonic currents.

The three-phase 200 V input specifications 3.7 kW or lower were previously covered by "the Harmonic Suppression Guidelines for Household Appliances and General-purpose Products" and other models were covered by "the Harmonic Suppression Guidelines for Consumers Who Receive High Voltage or Special High Voltage". However, the transistorized inverter has been excluded from the target products covered by "the Harmonic Suppression Guidelines for Household Appliances and General-purpose Products" in January 2004 and "the Harmonic Suppression Guideline for Household Appliances and General-purpose Products" was repealed on September 6, 2004.

All capacity and all models of general-purpose inverter used by specific consumers are now covered by "the Harmonic Suppression Guidelines for Consumers Who Receive High Voltage or Special High Voltage" (hereinafter referred to as "the Specific Consumer Guidelines").

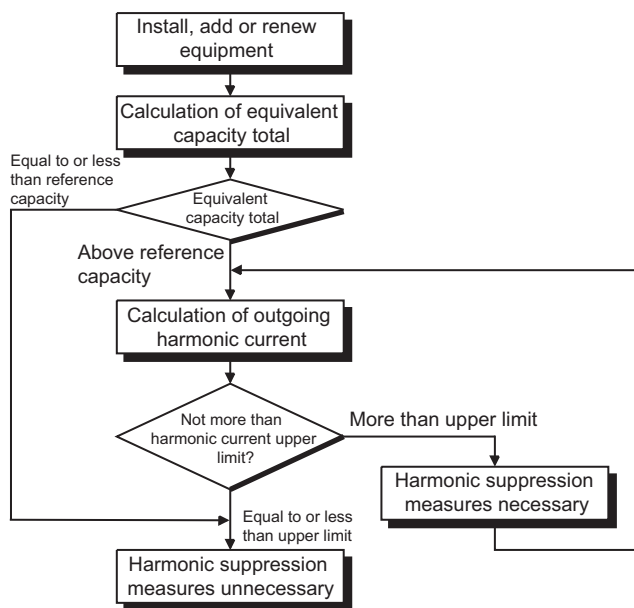
- "Specific Consumer Guidelines"

This guideline sets forth the maximum harmonic currents outgoing from a high-voltage or especially high-voltage receiving consumer who will install, add or renew harmonic generating equipment. If any of the maximum values is exceeded, this guideline requires that consumer to take certain suppression measures.

- Maximum Values of Outgoing Harmonic Currents per 1 kW Contract Power

| Received power voltage | 5th | 7th | 11th | 13th | 17th | 19th | 23rd | Over 23rd |
|------------------------|-----|------|------|------|------|------|------|-----------|
| 6.6 kV | 3.5 | 2.5 | 1.6 | 1.3 | 1.0 | 0.9 | 0.76 | 0.70 |
| 22 kV | 1.8 | 1.3 | 0.82 | 0.69 | 0.53 | 0.47 | 0.39 | 0.36 |
| 33 kV | 1.2 | 0.86 | 0.55 | 0.46 | 0.35 | 0.32 | 0.26 | 0.24 |

◆ Application of the specific consumer guidelines



- Conversion factors

| Classification | Circuit type | | Conversion coefficient Ki |
|----------------|--|--|---------------------------|
| 3 | Three-phase bridge (Capacitor smoothing) | With reactor (DC side) | K33 = 1.8 |
| | | With reactors (AC, DC sides) | K34 = 1.4 |
| 5 | Self-excitation three-phase bridge | When a high power factor converter is used | K5 = 0 |

- Equivalent Capacity Limits

| Received power voltage | Reference capacity |
|------------------------|--------------------|
| 6.6 kV | 50 kVA |
| 22/33 kV | 300 kVA |
| 66 kV or more | 2000 kVA |

- Harmonic content (Values of the fundamental current is 100%)

| Reactor | 5th | 7th | 11th | 13th | 17th | 19th | 23rd | 25th |
|---------------------|-----|-----|------|------|------|------|------|------|
| Used (DC side) | 30 | 13 | 8.4 | 5.0 | 4.7 | 3.2 | 3.0 | 2.2 |
| Used (AC, DC sides) | 28 | 9.1 | 7.2 | 4.1 | 3.2 | 2.4 | 1.6 | 1.4 |

- Calculation of equivalent capacity P0 of harmonic generating equipment

"Equivalent capacity" is the capacity of a 6-pulse converter converted from the capacity of consumer's harmonic generating equipment and is calculated by the following equation: If the sum of equivalent capacities is higher than the limit (Refer to [page 72](#)), harmonics must be calculated with the following procedure:

$$P0 = \sum (Ki \times Pi) \text{ [kVA]}$$

Ki: Conversion coefficient (Refer to [page 72](#))

Pi: Rated capacity of harmonic generating equipment *1[kVA]

i: Number indicating the conversion circuit type

*1 Rated capacity: Determined by the capacity of the applied motor and found in Table 5. The rated capacity used here is used to calculate the generated harmonic amount and is different from the power supply capacity required for actual inverter drive.

- Calculation of outgoing harmonic current

Outgoing harmonic current = fundamental wave current (value converted from received power voltage) × operation ratio × harmonic content

- Operation ratio: Operation ratio = actual load factor × operation time ratio during 30 minutes
- Harmonic content: Refer to [page 73](#).

- Rated capacities and outgoing harmonic currents of inverter-driven motors

| Applicable motor (kW) | Fundamental wave current (A) | Fundamental wave current converted from 6.6 kV (mA) | Rated capacity (kVA) | Outgoing harmonic current converted from 6.6 kV (mA) (With a DC reactor, 100% operation ratio) | | | | | | | |
|-----------------------|------------------------------|---|----------------------|---|-------|-------|-------|-------|-------|-------|-------|
| | 400 V | | | 5th | 7th | 11th | 13th | 17th | 19th | 23rd | 25th |
| 0.4 | 0.81 | 49 | 0.57 | 14.7 | 6.37 | 4.116 | 2.45 | 2.303 | 1.568 | 1.47 | 1.078 |
| 0.75 | 1.37 | 83 | 0.97 | 24.9 | 10.79 | 6.972 | 4.15 | 3.901 | 2.656 | 2.49 | 1.826 |
| 1.5 | 2.75 | 167 | 1.95 | 50.1 | 21.71 | 14.03 | 8.35 | 7.849 | 5.344 | 5.01 | 3.674 |
| 2.2 | 3.96 | 240 | 2.81 | 72 | 31.20 | 20.16 | 12 | 11.28 | 7.68 | 7.2 | 5.28 |
| 3.7 | 6.50 | 394 | 4.61 | 118.2 | 51.22 | 33.10 | 19.7 | 18.52 | 12.61 | 11.82 | 8.67 |
| 5.5 | 9.55 | 579 | 6.77 | 173.7 | 75.27 | 48.64 | 28.95 | 27.21 | 18.53 | 17.37 | 12.74 |
| 7.5 | 12.8 | 776 | 9.07 | 232.8 | 100.9 | 65.18 | 38.8 | 36.47 | 24.83 | 23.28 | 17.07 |
| 11 | 18.5 | 1121 | 13.1 | 336.3 | 145.7 | 94.16 | 56.05 | 52.69 | 35.87 | 33.63 | 24.66 |
| 15 | 24.9 | 1509 | 17.6 | 452.7 | 196.2 | 126.8 | 75.45 | 70.92 | 48.29 | 45.27 | 33.2 |
| 18.5 | 30.7 | 1860 | 21.8 | 558 | 241.8 | 156.2 | 93 | 87.42 | 59.52 | 55.8 | 40.92 |
| 22 | 36.6 | 2220 | 25.9 | 666 | 288.6 | 186.5 | 111 | 104.3 | 71.04 | 66.6 | 48.84 |
| 30 | 49.0 | 2970 | 34.7 | 891 | 386.1 | 249.5 | 148.5 | 139.6 | 95.04 | 89.1 | 65.34 |
| 37 | 60.4 | 3660 | 42.8 | 1098 | 475.8 | 307.4 | 183 | 172 | 117.1 | 109.8 | 80.52 |
| 45 | 73.5 | 4450 | 52.1 | 1335 | 578.5 | 373.8 | 222.5 | 209.2 | 142.4 | 133.5 | 97.9 |
| 55 | 89.9 | 5450 | 63.7 | 1635 | 708.5 | 457.8 | 272.5 | 256.2 | 174.4 | 163.5 | 119.9 |
| 75 | 123 | 7455 | 87.2 | 2237 | 969.2 | 626.2 | 372.8 | 350.4 | 238.6 | 223.7 | 164 |
| 90 | 147 | 8909 | 104 | 2673 | 1158 | 748.4 | 445.5 | 418.7 | 285.1 | 267.3 | 196 |
| 110 | 179 | 10848 | 127 | 3254 | 1410 | 911.2 | 542.5 | 509.9 | 347.1 | 325.4 | 238.7 |
| 132 | 216 | 13091 | 153 | 3927 | 1702 | 1100 | 654.6 | 615.3 | 418.9 | 392.7 | 288 |
| 160 | 258 | 15636 | 183 | 4691 | 2033 | 1313 | 781.8 | 734.9 | 500.4 | 469.1 | 344 |
| 220 | 355 | 21515 | 252 | 6455 | 2797 | 1807 | 1076 | 1011 | 688.5 | 645.5 | 473.3 |
| 250 | 403 | 24424 | 286 | 7327 | 3175 | 2052 | 1221 | 1148 | 781.6 | 732.7 | 537.3 |
| 280 | 450 | 27273 | 319 | 8182 | 3545 | 2291 | 1364 | 1282 | 872.7 | 818.2 | 600 |
| 315 | 506 | 30667 | 359 | 9200 | 3987 | 2576 | 1533 | 1441 | 981.3 | 920 | 674.7 |
| 355 | 571 | 34606 | 405 | 10382 | 4499 | 2907 | 1730 | 1627 | 1107 | 1038 | 761.3 |
| 400 | 643 | 38970 | 456 | 11691 | 5066 | 3273 | 1949 | 1832 | 1247 | 1169 | 857.3 |
| 450 | 723 | 43818 | 512 | 13145 | 5696 | 3681 | 2191 | 2059 | 1402 | 1315 | 964 |
| 500 | 804 | 48727 | 570 | 14618 | 6335 | 4093 | 2436 | 2290 | 1559 | 1462 | 1072 |
| 560 | 900 | 54545 | 638 | 16363 | 7091 | 4582 | 2727 | 2564 | 1745 | 1636 | 1200 |
| 630 | 1013 | 61394 | 718 | 18418 | 7981 | 5157 | 3070 | 2886 | 1965 | 1842 | 1351 |

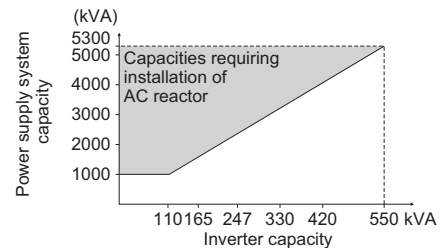
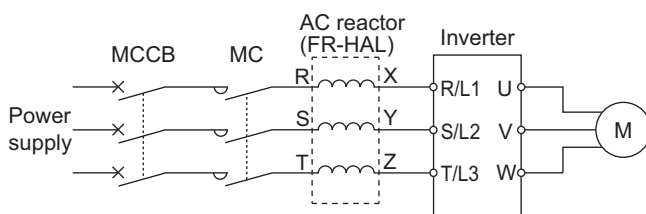
Installation of a reactor

- Determining if a countermeasure is required
 A countermeasure for harmonics is required if the following condition is satisfied: outgoing harmonic current > maximum value per 1 kW contract power × contract power
- Harmonic suppression techniques

| No. | Item | Description |
|-----|--|--|
| 1 | Reactor installation (FR-HAL) | Because a DC reactor is built in on the DC side of this product, outgoing harmonic current can be suppressed. By installing an AC reactor (FR-HAL) on the AC side of the inverter, the outgoing harmonic current suppression performance can be improved. |
| 2 | High power factor converter (FR-HC2), multifunction regeneration converter (FR-XC) | This converter trims the current waveform to be a sine waveform by switching the rectifier circuit (converter module) with transistors. Doing so suppresses the generated harmonic amount significantly. Connect it to the DC area of an inverter. Use the high power factor converter (FR-HC2) with the accessories that come as standard. To use the FR-XC series converter, use the converter with an FR-XCB box-type reactor and enable the harmonic suppression function. |
| 3 | Installation of power factor improving capacitor | When used with a reactor connected in series, the power factor improving correction capacitor can absorb harmonic currents. |
| 4 | Transformer multi-phase operation | Use two transformers with a phase angle difference of 30° as in λ - Δ and Δ - Δ combinations to provide an effect corresponding to 12 pulses, reducing low-degree harmonic currents. |
| 5 | Passive filter (AC filter) | A capacitor and a reactor are used together to reduce impedances at specific frequencies. Harmonic currents are expected to be absorbed greatly by using this technique. |
| 6 | Active filter | This filter detects the current in a circuit generating a harmonic current and generates a harmonic current equivalent to a difference between that current and a fundamental wave current to suppress the harmonic current at the detection point. Harmonic currents are expected to be absorbed greatly by using this technique. |

3.3 Installation of a reactor

When the inverter is connected near a large-capacity power transformer (1000 kVA or more) or when a power factor correction capacitor is to be switched over, an excessive peak current may flow in the power input circuit, damaging the converter circuit. To prevent this, always install an optional AC reactor (FR-HAL).



3.4 Power-OFF and magnetic contactor (MC)

◆ Inverter input side magnetic contactor (MC)

On the inverter input side, it is recommended to provide an MC for the following purposes:

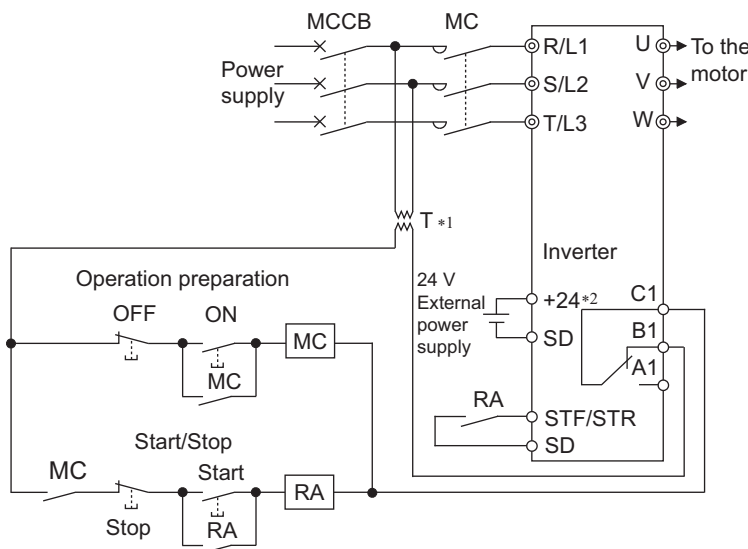
(Refer to [page 16](#) for selection.)

- To disconnect the inverter from the power supply at activation of a protective function or at malfunctioning of the driving system (emergency stop, etc.). For example, an MC prevents overheating or burnout of the brake resistor when heat capacity of the resistor is insufficient or brake regenerative transistor is damaged with short while connecting an optional brake resistor.
- To prevent any accident due to an automatic restart at power restoration after an inverter stop made by a power failure.
- To separate the inverter from the power supply to ensure safe maintenance and inspection work.

If using an MC for emergency stop during motor driving, select an MC regarding the inverter input side current as JEM1038-AC-3 class rated current.

NOTE

- Since repeated inrush currents at power ON will shorten the life of the converter circuit (switching life is about 1,000,000 times), frequent starts and stops of the magnetic contactor must be avoided. Turn ON/OFF the inverter start controlling terminals (STF, STR) to run/stop the inverter.



• Inverter start/stop circuit example

As shown on the left, always use the start signal (ON or OFF of STF(STR) signal) to make a start or stop.

- *1 Install a stepdown transformer.
- *2 To hold an alarm signal when the inverter's protection circuit is activated, input a 24 V external power supply across terminals +24 and SD. (Refer to [page 45](#).)

◆ Handling of the magnetic contactor on the inverter's output side

Switch the magnetic contactor between the inverter and motor only when both the inverter and motor are at a stop. When the magnetic contactor is turned ON while the inverter is operating, overcurrent protection of the inverter and such will activate. When an MC is provided to switch to a commercial power supply, for example, it is recommended to use the commercial power supply-inverter switchover function **Pr.135 to Pr.139** (Refer to the FR-F800 Instruction Manual (Detailed)). (The commercial power supply operation is not available with PM motors.)

◆ Handling of the manual contactor on the inverter's output side

A PM motor is a synchronous motor with high-performance magnets embedded inside. High-voltage is generated at the motor terminals while the motor is running even after the inverter power is turned OFF. In an application where the PM motor is driven by the load even after the inverter is powered OFF, a low-voltage manual contactor must be connected at the inverter's output side.

NOTE

- Before wiring or inspection for a PM motor, confirm that the PM motor is stopped. In an application, such as fan and blower, where the motor is driven by the load, a low-voltage manual contactor must be connected at the inverter's output side, and wiring and inspection must be performed while the contactor is open. Otherwise you may get an electric shock.
- Do not open or close the contactor while the inverter is running (outputting).

3.5 Countermeasures against deterioration of the 400 V class motor insulation

In the PWM type inverter, a surge voltage attributable to wiring constants is generated at the motor terminals. Especially in a 400 V class motor, the surge voltage may deteriorate the insulation. When the 400 V class motor is driven by the inverter, consider the following countermeasures:

◆ Countermeasures for induction motors

It is recommended to take one of the following countermeasures:

◆ Rectifying the motor insulation and limiting the PWM carrier frequency according to the wiring length

For the 400 V class motor, use an insulation-enhanced motor.

Specifically,

- Order a "400 V class inverter-driven insulation-enhanced motor".
- For the dedicated motor such as the constant-torque motor and low-vibration motor, use an "inverter-driven dedicated motor".
- Set **Pr.72 PWM frequency selection** as indicated below according to the wiring length.

| | Wiring length | | |
|--------------------------------------|------------------------|--------------------|--------------------|
| | 50 m or shorter | 50 m to 100 m | Longer than 100 m |
| Pr.72 PWM frequency selection | 15 (14.5 kHz) or lower | 9 (9 kHz) or lower | 4 (4 kHz) or lower |

◆ Suppressing the surge voltage on the inverter side

- For the FR-F846-01160(55K) or lower, connect the surge voltage suppression filter (FR-ASF-H/FR-BMF-H) to the output side.
- For the FR-F846-01800(75K) or higher, connect the sine wave filter (MT-BSL/BSC) to the output side.

◆ Countermeasures for PM motors

- When the wiring length exceeds 50 m, set "9" (6 kHz) or less in **Pr.72 PWM frequency selection**.

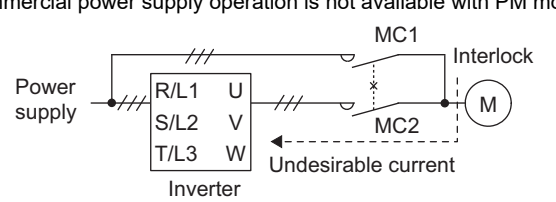
NOTE

- For the details of **Pr.72 PWM frequency selection**, refer to the FR-F800 Instruction Manual (Detailed).
- For the details of the surge voltage suppression filter (FR-ASF-H/FR-BMF-H), refer to the Instruction Manual of each option.
- A surge voltage suppression filter (FR-ASF-H/FR-BMF-H) can be used under V/F control and Advanced magnetic flux vector control.
A sine wave filter (MT-BSL/BSC) can be used under V/F control. Do not use the filters under different control modes.

3.6 Checklist before starting operation

The FR-F800 series inverter is a highly reliable product, but incorrect peripheral circuit making or operation/handling method may shorten the product life or damage the product.

Before starting operation, always recheck the following points.

| Checkpoint | Countermeasure | Refer to page | Check by user |
|--|---|---------------|---------------|
| Crimping terminals are insulated. | Use crimping terminals with insulation sleeves to wire the power supply and the motor. | - | |
| The wiring between the power supply (R/L1, S/L2, T/L3) and the motor (U, V, W) is correct. | Application of power to the output terminals (U, V, W) of the inverter will damage the inverter. Never perform such wiring. | 27 | |
| No wire offcuts are left from the time of wiring. | Wire offcuts can cause an alarm, failure or malfunction. Always keep the inverter clean. When drilling mounting holes in a wall etc., take caution not to allow chips and other foreign matters to enter the inverter. | - | |
| The main circuit cable gauge is correctly selected. | Use an appropriate cable gauge to suppress the voltage drop to 2% or less. If the wiring distance is long between the inverter and motor, the voltage drop in the main circuit will cause the motor torque to decrease especially during the output of a low frequency. | 32 | |
| The total wiring length is within the specified length. | Keep the total wiring length within the specified length. In long distance wiring, charging currents due to stray capacitance in the wiring may degrade the fast-response current limit operation or cause the equipment on the inverter's output side to malfunction. Pay attention to the total wiring length. | 32 | |
| Countermeasures are taken against EMI. | The input/output (main circuit) of the inverter includes high frequency components, which may interfere with the communication devices (such as AM radios) used near the inverter. In such case, activate the EMC filter (turn ON the EMC filter ON/OFF connector) to minimize interference. | 70 | |
| On the inverter's output side, there is no power factor correction capacitor, surge suppressor, or radio noise filter installed. | Such installation will cause the inverter to trip or the capacitor and surge suppressor to be damaged. If any of the above devices is connected, immediately remove it. | - | |
| When performing an inspection or rewiring on the product that has been energized, the operator has waited long enough after shutting off the power supply. | For some time after the power-OFF, a high voltage remains in the smoothing capacitor, and it is dangerous. Before performing an inspection or rewiring, wait 10 minutes or longer after the power supply turns OFF, then confirm that the voltage across the main circuit terminals P/+ and N/- of the inverter is low enough using a tester, etc. | - | |
| The inverter's output side has no short circuit or ground fault occurring. | A short circuit or ground fault on the inverter's output side may damage the inverter module. Fully check the insulation resistance of the circuit prior to inverter operation since repeated short circuits caused by peripheral circuit inadequacy or a ground fault caused by wiring inadequacy or reduced motor insulation resistance may damage the inverter module. Fully check the to-earth (ground) insulation and phase-to-phase insulation of the inverter's output side before power-ON. Especially for an old motor or use in hostile atmosphere, make sure to check the motor insulation resistance, etc. | - | |
| The circuit is not configured to use the inverter's input-side magnetic contactor to start/stop the inverter frequently. | Since repeated inrush currents at power ON will shorten the life of the converter circuit, frequent starts and stops of the magnetic contactor must be avoided. Turn ON/OFF the inverter's start signals (STF, STR) to run/stop the inverter. | 75 | |
| The voltage applied to the inverter I/O signal circuits is within the specifications. | Application of a voltage higher than the permissible voltage to the inverter I/O signal circuits or opposite polarity may damage the I/O devices. Especially check the wiring to prevent the speed setting potentiometer from being connected incorrectly to short circuit the terminals 10E and 5. | 35 | |
| When using the electronic bypass operation, electrical and mechanical interlocks are provided between the electronic bypass contactors MC1 and MC2. | <p>When using a switching circuit as shown below, chattering due to mis-configured sequence or arc generated at switching may allow undesirable current to flow in and damage the inverter. Mis-wiring may also damage the inverter. (The commercial power supply operation is not available with PM motors.)</p>  <p>If switching to the commercial power supply operation while a failure such as an output short circuit has occurred between the magnetic contactor MC2 and the motor, the damage may further spread. If a failure has occurred between the MC2 and the motor, a protection circuit such as using the OH signal input must be provided.</p> | - | |

Checklist before starting operation

| Checkpoint | Countermeasure | Refer to page | Check by user |
|---|---|---------------|---------------|
| A countermeasure is provided for power restoration after a power failure. | If the machine must not be restarted when power is restored after a power failure, provide an MC in the inverter's input side and also make up a sequence which will not switch ON the start signal. If the start signal (start switch) remains ON after a power failure, the inverter will automatically restart as soon as the power is restored. | - | |
| A magnetic contactor (MC) is installed on the inverter's input side. | On the inverter's input side, connect an MC for the following purposes: <ul style="list-style-type: none"> • To disconnect the inverter from the power supply at activation of a protective function or at malfunctioning of the driving system (emergency stop, etc.). • To prevent any accident due to an automatic restart at power restoration after an inverter stop made by a power failure. • To separate the inverter from the power supply to ensure safe maintenance and inspection work. If using an MC for emergency stop during motor driving, select an MC regarding the inverter input side current as JEM1038-AC-3 class rated current. | 75 | |
| The magnetic contactor on the inverter's output side is properly handled. | Switch the magnetic contactor between the inverter and motor only when both the inverter and motor are at a stop. | 75 | |
| When using a PM motor, a low-voltage manual contactor is installed on the inverter's output side. | When a failure occurs between the MC2 and motor, make sure to provide a protection circuit, such as using the OH signal input. In an application, such as fan and blower, where the motor is driven by the load, a low-voltage manual contactor must be connected at the inverter's output side, and wiring and inspection must be performed while the contactor is open. Otherwise you may get an electric shock. | 75 | |
| An EMI countermeasure is provided for the frequency setting signals. | If electromagnetic noise generated from the inverter causes frequency setting signal to fluctuate and the motor rotation speed to be unstable when changing the motor speed with analog signals, the following countermeasures are effective: <ul style="list-style-type: none"> • Do not run the signal cables and power cables (inverter I/O cables) in parallel with each other and do not bundle them. • Run signal cables as far away as possible from power cables (inverter I/O cables). • Use shielded cables. • Install a ferrite core on the signal cable (Example: ZCAT3035-1330 by TDK). | 68 | |
| A countermeasure is provided for an overload operation. | When performing frequent starts/stops by the inverter, rise/fall in the temperature of the transistor element of the inverter will repeat due to a repeated flow of large current, shortening the life from thermal fatigue. Since thermal fatigue is related to the amount of current, the life can be increased by reducing current at locked condition, starting current, etc. Reducing current may extend the service life but may also cause torque shortage, which leads to a start failure. Adding a margin to the current can eliminate such a condition. For an induction motor, use an inverter of a higher capacity (up to two ranks). For a PM motor, use an inverter and PM motor of higher capacities. | - | |
| The specifications and rating match the system requirements. | Make sure that the specifications and rating match the system requirements. | 116 | |
| Countermeasures are taken against electrical corrosion on the motor bearing. | When a motor is driven by the inverter, axial voltage is generated on the motor bearing, which may cause electrical corrosion of the bearing in rare cases depending on: condition of the grease used for the bearing, wiring, load, operating conditions of the motor, or specific inverter settings (high carrier frequency, EMC filter ON). Contact your sales representative to take appropriate countermeasures for the motor. The following shows examples of countermeasures for the inverter. <ul style="list-style-type: none"> • Decrease the carrier frequency. • Turn OFF the EMC filter. • Provide a common mode choke *1 on the output side of the inverter. (This is effective regardless of the EMC filter ON/OFF connector setting.) <p>*1 Recommended common mode choke: FT-3KM F series FINEMET® common mode choke cores manufactured by Hitachi Metals, Ltd. FINEMET is a registered trademark of Hitachi Metals, Ltd.</p> | - | |

3.7 Failsafe system which uses the inverter

When a fault is detected by the protective function, the protective function activates and outputs a fault signal. However, a fault signal may not be output at an inverter's fault occurrence when the detection circuit or output circuit fails, etc. Although Mitsubishi Electric assures the best quality products, provide an interlock which uses inverter status output signals to prevent accidents such as damage to the machine when the inverter fails for some reason. Also at the same time consider the system configuration where a failsafe from outside the inverter, without using the inverter, is enabled even if the inverter fails.

◆ Interlock method which uses the inverter status output signals

By combining the inverter output signals to provide an interlock as shown below, an inverter failure can be detected.

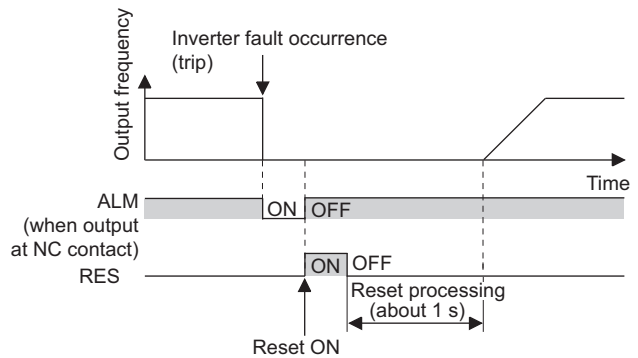
| No. | Interlock method | Check method | Used signals |
|-----|--|--|---|
| a | Inverter protective function operation | Operation check of an alarm contact. Circuit error detection by negative logic. | Fault output signal (ALM signal) |
| b | Inverter operating status | Operation ready signal check. | Operation ready signal (RY signal) |
| c | Inverter running status | Logic check of the start signal and running signal. | Start signal (STF signal, STR signal) Running signal (RUN signal) |
| d | Inverter running status | Logic check of the start signal and output current. | Start signal (STF signal, STR signal) Output current detection signal (Y12 signal) |

(a) Checking by the output of the inverter fault signal

When the inverter's protective function activates and the inverter trips, the fault output signal (ALM signal) is output. (ALM signal is assigned to terminal A1B1C1 in the initial setting).

With this signal, check that the inverter operates properly.

In addition, negative logic can be set. (ON when the inverter is normal, OFF when the fault occurs.)

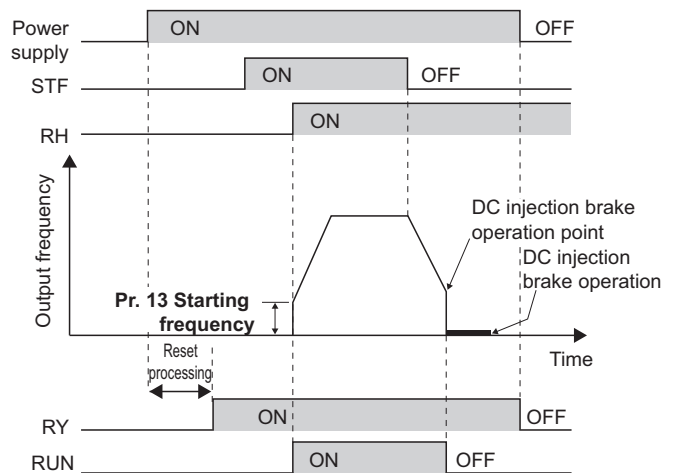


(b) Checking the inverter operating status by the inverter operation ready completion signal

Operation ready signal (RY signal) is output when the inverter power is ON and the inverter becomes operative. Check if the RY signal is output after powering ON the inverter.

(c) Checking the inverter operating status by the start signal input to the inverter and inverter running signal

The inverter running signal (RUN signal) is output when the inverter is running. (RUN signal is assigned to terminal RUN in the initial setting.) Check if RUN signal is being output while inputting a start signal to the inverter. (STF signal is a forward rotation signal, and STR is a reverse rotation signal.) Even after the start signal is turned OFF, the RUN signal is kept output until the inverter makes the motor to decelerate and to stop. For the logic check, configure a sequence considering the inverter's deceleration time.



Failsafe system which uses the inverter

- (d) Checking the motor operating status by the start signal input to the inverter and inverter output current detection signal
- The output current detection signal (Y12 signal) is output when the inverter operates and currents flows into the motor. Check if Y12 signal is being output while inputting a start signal to the inverter. (STF signal is a forward rotation signal, and STR is a reverse rotation signal.) The Y12 signal is initially set to be output at 120% (FM type) / 110% (CA type) inverter rated current. Adjust the level to around 20% using no load current of the motor as reference with **Pr.150 Output current detection level**.

Like the inverter running signal (RUN signal), even after the start signal is turned OFF, the Y12 signal is kept output until the inverter stops the output to a decelerating motor. For the logic check, configure a sequence considering the inverter's deceleration time.

| Output signal | Pr.190 to Pr.196 setting | |
|---------------|--------------------------|----------------|
| | Positive logic | Negative logic |
| ALM | 99 | 199 |
| RY | 11 | 111 |
| RUN | 0 | 100 |
| Y12 | 12 | 112 |

- When using various signals, assign the functions to **Pr.190 to Pr.196 (output terminal function selection)** referring to the table on the left.

NOTE

- Changing the terminal assignment using **Pr.190 to Pr.196 (output terminal function selection)** may affect the other functions. Set parameters after confirming the function of each terminal.
- For the details of the parameters and signals, refer to the FR-F800 Instruction Manual (Detailed).

◆ Backup method outside the inverter

Even if the interlock is provided by the inverter status signal, enough failsafe is not ensured depending on the failure status of the inverter itself. For example, if an inverter CPU fails in a system interlocked with the inverter's fault, start, and RUN signals, no fault signal will be output and the RUN signal will be kept ON because the inverter CPU is down.

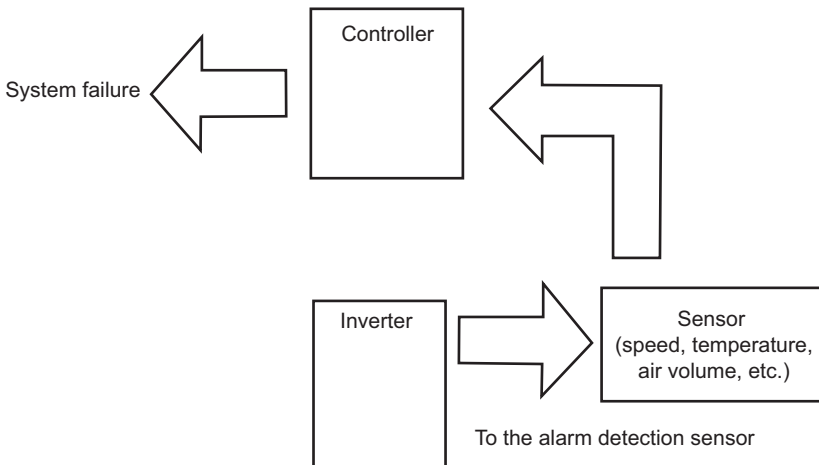
Provide a speed detector to detect the motor speed and current detector to detect the motor current and consider the backup system such as performing a check as below according to the level of importance of the system.

- (a) Start signal and actual operation check

Check the motor running and motor current while the start signal is input to the inverter by comparing the start signal to the inverter and detected speed of the speed detector or detected current of the current detector. Note that the current is flowing through the motor while the motor coasts to stop, even after the inverter's start signal is turned OFF. For the logic check, configure a sequence considering the inverter's deceleration time. In addition, it is recommended to check the three-phase current when using the current detector.

- (b) Command speed and actual operation check

Check for a gap between the actual speed and commanded speed by comparing the inverter's speed command and the speed detected by the speed detector.



4 PROTECTIVE FUNCTIONS

This chapter explains the "PROTECTIVE FUNCTIONS" that operates in this product.

Always read the instructions before using the equipment.

| | | |
|------------|--|-----------|
| 4.1 | Inverter fault and alarm indications | 82 |
| 4.2 | Reset method for the protective functions..... | 82 |
| 4.3 | Faults history and the list of fault displays | 83 |
| 4.4 | Causes and corrective actions | 84 |

4.1 Inverter fault and alarm indications

- When the inverter detects a fault, depending on the nature of the fault, the operation panel displays an error message or warning, or a protective function activates to trip the inverter.
- When any fault occurs, take an appropriate corrective action, then reset the inverter, and resume the operation.
Restarting the operation without a reset may break or damage the inverter.
- When a protective function activates, note the following points.

| Item | Description |
|---------------------------|---|
| Fault output signal | Opening the magnetic contactor (MC) provided on the input side of the inverter at a fault occurrence shuts off the control power to the inverter, therefore, the fault output will not be retained. |
| Fault or alarm indication | When a protective function activates, the operation panel displays a fault indication. |
| Operation restart method | While a protective function is activated, the inverter output is kept shutoff. Reset the inverter to restart the operation. |

- Inverter fault or alarm indications are categorized as below.

| Displayed item | Description |
|----------------|---|
| Error message | A message regarding an operational fault and setting fault by the operation panel and the parameter unit. The inverter does not trip. |
| Warning | The inverter does not trip even when a warning. However, failure to take appropriate measures will lead to a fault. |
| Alarm | The inverter does not trip. An Alarm (LF) signal can be output with a parameter setting. |
| Fault | A protective function activates to trip the inverter and output a Fault (ALM) signal. |

NOTE

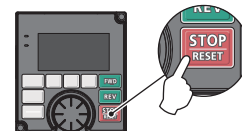
- For the details of fault displays and other malfunctions, also refer to the FR-F800 Instruction Manual (Detailed).
- The past eight faults can be displayed using the setting dial. (Refer to [page 51](#))

4.2 Reset method for the protective functions

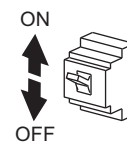
Reset the inverter by performing any of the following operations. Note that the accumulated heat value of the electronic thermal relay function and the number of retries are cleared (erased) by resetting the inverter.

The inverter recovers about 1 second after the reset is released.

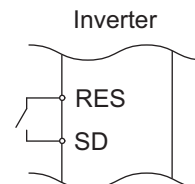
- On the operation panel, press  to reset the inverter.
(This may only be performed when a fault occurs.)



- Switch the power OFF once, then switch it ON again.



- Turn ON the reset signal (RES) for 0.1 s or more. (If the RES signal is kept ON, "Err" appears (flickers) to indicate that the inverter is in a reset status.)



NOTE

- OFF status of the start signal must be confirmed before resetting the inverter fault. Resetting an inverter fault with the start signal ON restarts the motor suddenly.

4.3 Faults history and the list of fault displays

For details, refer to the FR-F800 Instruction Manual (Detailed).

| Operation panel indication | Name | |
|----------------------------|--------------------------|---|
| Error message | LOCD | Password locked |
| | Er1 to Er4 Er8 | Parameter write error |
| | rE1 to rE4 rE6 to rE8 | Copy operation error |
| | Err. | Error |
| | OL | Stall prevention (overcurrent) |
| Warning | oL | Stall prevention (overvoltage) |
| | TH | Electronic thermal relay function pre-alarm |
| | PS | PU stop |
| | CF | Continuous operation during communication fault |
| | CP | Parameter copy |
| | SA | Safety stop |
| | MT1 to MT3 | Maintenance signal output |
| | UF | USB host error |
| | ED | Emergency drive in operation |
| | LDF | Load fault warning |
| | Alarm | FN |
| FN2 | | Internal-circulation fan alarm |

| Operation panel indication | Name | |
|----------------------------|--------------------------|--|
| Fault | E.OC1 | Overcurrent trip during acceleration |
| | E.OC2 | Overcurrent trip during constant speed |
| | E.OC3 | Overcurrent trip during deceleration or stop |
| | E.OV1 | Regenerative overvoltage trip during acceleration |
| | E.OV2 | Regenerative overvoltage trip during constant speed |
| | E.OV3 | Regenerative overvoltage trip during deceleration or stop |
| | E.THT | Inverter overload trip (electronic thermal relay function) |
| | E.THM | Motor overload trip (electronic thermal relay function) |
| | E.FIN | Heat sink overheat |
| | E.IPF | Instantaneous power failure |
| | E.UVT | Undervoltage |
| | E.ILF | Input phase loss |
| | E.OLT | Stall prevention stop |
| | E.SOT | Loss of synchronism detection |
| | E.LUP | Upper limit fault detection |
| | E.LDN | Lower limit fault detection |
| | E.GF | Output side earth (ground) fault overcurrent |
| | E.LF | Output phase loss |
| | E.OHT | External thermal relay operation |
| | E.PTC | PTC thermistor operation |
| | E.OPT | Option fault |
| | E.OP1 | Communication option fault |
| | E.16 to E.20 | User definition error by the PLC function |
| | E.PE | Parameter storage device fault (control circuit board) |
| | E.PUE | PU disconnection |
| | E.RET | Retry count excess |
| | E.PE2 | Parameter storage device fault (main circuit board) |
| | E.PE6 | Internal storage device fault |
| | E.CPU E. 5 to E. 7 | CPU fault |
| | E.CTE | Operation panel power supply short circuit |
| | E.P24 | 24 VDC power fault |
| | E.CDO | Abnormal output current detection |
| | E.IOH | Inrush current limit circuit fault |
| | E.SER | Communication fault (inverter) |
| | E.AIE | Analog input fault |
| | E.USB | USB communication fault |
| | E.SAF | Safety circuit fault |
| | E.IAH | Abnormal internal temperature |
| | E.PBT E.13 | Internal circuit fault |
| | E.OS | Overspeed occurrence |
| | E.BE | Brake transistor alarm detection |
| | E.LCI | 4 mA input fault |
| | E.PCH | Pre-charge fault |
| | E.PID | PID signal fault |
| | E. 1to E. 3 | Option fault |

If faults other than the above appear, contact your sales representative.

4.4 Causes and corrective actions

◆ Alarm

| | |
|-----------------------------------|--|
| Operation panel indication | FN2 |
| Name | Internal-circulation fan alarm |
| Description | FN2 appears on the operation panel when the internal air circulation fan stops due to a fault or low rotation speed. |
| Check point | Check the internal air circulation fan for a failure. |
| Corrective action | The fan may be faulty. Please contact your sales representative. |

◆ Fault

| | |
|-----------------------------------|--|
| Operation panel indication | Abnormal Intnl Temp |
| Name | Abnormal internal temperature |
| Description | The inverter trips when the inverter internal temperature reaches the specified value or higher. |
| Check point | <ul style="list-style-type: none"> • Check for too high surrounding air temperature. • Check if the internal air circulation fan or the cooling fan stops due to a fault. |
| Corrective action | <ul style="list-style-type: none"> • Install an inverter suitable for the installation environment. (Refer to page 20.) • Replace the internal air circulation fan or the cooling fan. |

5 PRECAUTIONS FOR MAINTENANCE AND INSPECTION

This chapter explains the "PRECAUTIONS FOR MAINTENANCE AND INSPECTION" for this product.

Always read the instructions before using the equipment.

| | | |
|------------|---|------------|
| 5.1 | Inspection item..... | 86 |
| 5.2 | Measurement of main circuit voltages, currents, and powers . | 111 |

Inspection item

The inverter is a static unit mainly consisting of semiconductor devices. Daily inspection must be performed to prevent any fault from occurring due to the adverse effects of the operating environment, such as temperature, humidity, dust, dirt and vibration, changes in the parts with time, service life, and other factors.

●Precautions for maintenance and inspection

When accessing the inverter for inspection, wait for at least 10 minutes after the power supply has been switched OFF, and then make sure that the voltage across the main circuit terminals P/+ and N/- of the inverter is not more than 30 VDC using a tester, etc.

5.1 Inspection item

5.1.1 Daily inspection

Basically, check for the following faults during operation.

- Motor operation fault
- Improper installation environment
- Cooling system fault
- Abnormal vibration, abnormal noise
- Abnormal overheat, discoloration

5.1.2 Periodic inspection

Check the areas inaccessible during operation and requiring periodic inspection.

Consult us for periodic inspection.

- Check and clean the cooling system Clean the air filter, etc.
- Check the tightening and retighten The screws and bolts may become loose due to vibration, temperature changes, etc. Check and tighten them.
Tighten them according to the specified tightening torque. (Refer to [page 32.](#))
- Check the conductors and insulating materials for corrosion and damage
- Measure the insulation resistance
- Check and change the cooling fan, internal fan and relay
- Check for condensation A sudden temperature change may cause water droplets (condensation) to form inside the inverter. Using the inverter with condensation inside may cause a failure.
- Check for ingress of water or dust If the waterproof or dustproof performance is impaired, water or dust may get into the inverter. Using the inverter with water or dust remaining inside may cause a failure.
- Inspection and replacement of the gasket Changes such as in temperature may cause aging degradation of the gasket rubber material, which may impair the waterproof and dustproof performances.

NOTE

- When using the safety stop function, periodic inspection is required to confirm that safety function of the safety system operates correctly.
For more details, refer to the Safety stop function instruction manual (BCN-A23228-001).

5.1.3 Daily and periodic inspection

| Area of inspection | Inspection item | Description | Inspection interval | | Corrective action at fault occurrence | Check by the user | |
|---|---|--|---|---------------------------|--|--|--|
| | | | Daily | Periodic *3 | | | |
| General | Surrounding environment | Check the ambient temperature, humidity, dirt, corrosive gas, oil mist, etc. | ○ | | Improve the environment. | | |
| | Overall unit | Check for unusual vibration and noise. | ○ | | Check fault location and retighten. | | |
| | | Check for dirt, oil, and other foreign material. *1 | ○ | | Clean. | | |
| | Power supply voltage | Check that the main circuit voltages and control voltages are normal. *2 | ○ | | Inspect the power supply. | | |
| Main circuit | General | (1) Check with megger (across main circuit terminals and earth (ground) terminal). | | ○ | Contact the manufacturer. | | |
| | | (2) Check for loose screws and bolts. | | ○ | Retighten. | | |
| | | (3) Check for overheat traces on the parts. | | ○ | Contact the manufacturer. | | |
| | | (4) Check for stain. | | ○ | Clean. | | |
| | Conductors, cables | (1) Check conductors for distortion. | | ○ | Contact the manufacturer. | | |
| | | (2) Check cable sheaths for breakage and deterioration (crack, discoloration, etc.). | | ○ | Contact the manufacturer. | | |
| | Transformer/reactor | Check for unusual odor and abnormal increase of whining sound. | ○ | | Stop the equipment and contact the manufacturer. | | |
| | Terminal block | Check for a damage. | | ○ | Stop the equipment and contact the manufacturer. | | |
| Smoothing aluminum electrolytic capacitor | (1) Check for liquid leakage. | | ○ | Contact the manufacturer. | | | |
| | (2) Check for safety valve projection and bulge. | | ○ | Contact the manufacturer. | | | |
| Relay/contacter | (3) Visual check and judge by the life check of the main circuit capacitor. (Refer to page 90.) | | ○ | Contact the manufacturer. | | | |
| | Check that the operation is normal and no chattering sound is heard. | | ○ | Contact the manufacturer. | | | |
| Resistor | (1) Check for crack in resistor insulation. | | ○ | Contact the manufacturer. | | | |
| | (2) Check for a break in the cable. | | ○ | Contact the manufacturer. | | | |
| Control circuit, protective circuit | Operation check | (1) Check that the output voltages across phases are balanced while operating the inverter alone. | | ○ | Contact the manufacturer. | | |
| | | (2) Check that no fault is found in protective and display circuits in a sequence protective operation test. | | ○ | Contact the manufacturer. | | |
| | Components check | Overall | (1) Check for unusual odor and discoloration. | | ○ | Stop the equipment and contact the manufacturer. | |
| | | | (2) Check for serious rust development. | | ○ | Contact the manufacturer. | |
| Aluminum electrolytic capacitor | (1) Check for liquid leakage in a capacitor and deformation trace. | | ○ | Contact the manufacturer. | | | |
| | (2) Visual check and judge by the life check of the control circuit capacitor. (Refer to page 90.) | | ○ | Contact the manufacturer. | | | |
| Cooling system | Cooling fan Internal fan | (1) Check for unusual vibration and noise. | ○ | | Replace the fan. | | |
| | | (2) Check for loose screws and bolts. | | ○ | Check fault location and retighten. | | |
| | | (3) Check for stain. | | ○ | Clean. | | |
| Heat sink | (1) Check for clogging. | | ○ | Clean. | | | |
| | (2) Check for stain. | | ○ | Clean. | | | |

Inspection item

| Area of inspection | Inspection item | Description | Inspection interval | | Corrective action at fault occurrence | Check by the user |
|---|------------------------------|--|---------------------|----------------|--|-------------------|
| | | | Daily | Periodic *3 | | |
| Display | Indication | (1) Check that display is normal. (2) Check for stain. | ○ | ○ | Contact the manufacturer. Clean. | |
| | Meter | Check that reading is normal. | ○ | | Stop the equipment and contact the manufacturer. | |
| Load motor | Operation check | Check for vibration and abnormal increase in operation noise. | ○ | | Stop the equipment and contact the manufacturer. | |
| Waterproof performance, dustproof performance | Operation panel | (1) Check that it is installed. (2) Check for deformation or fracture. (3) Check for loose fixing screws. | ○ | ○ ○ | Install it securely. (Refer to page 53) Stop the equipment and contact the manufacturer. Retighten. | |
| | Front cover and wiring cover | (1) Check that it is installed. (2) Check for deformation or fracture. (3) Check for loose fixing screws. | ○ | ○ ○ | Install it securely. (Refer to page 17, 28) Stop the equipment and contact the manufacturer. Retighten. | |
| | Gasket | (1) Check for stain. (2) Check for damage. (3) Check for degradation (crack, discoloration, or deformation). | | ○ ○ ○ | Clean. Stop the equipment and contact the manufacturer. Stop the equipment and contact the manufacturer. | |
| | Inside the inverter | (1) Check for condensation. (2) Check for ingress of water or dust. | | ○ ○ | Wipe off the condensation. Stop the equipment and contact the manufacturer. | |

*1 Oil component of the heat dissipation grease used inside the inverter may leak out. The oil component, however, is not flammable, corrosive, nor conductive and is not harmful to humans. Wipe off such oil component.

*2 It is recommended to install a voltage monitoring device for checking the voltage of the power supplied to the inverter.

*3 One to two years of periodic inspection cycle is recommended. However, it differs according to the installation environment. Consult us for periodic inspection.

NOTE

- Continuous use of a leaked, deformed, or degraded smoothing aluminum electrolytic capacitor (as shown in the table above) may lead to a burst, breakage or fire. Replace such a capacitor without delay.

5.1.4 Checking the inverter and converter modules

◆Preparation

- Disconnect the external power supply cables (R/L1, S/L2, T/L3) and motor cables (U, V, W).
- Prepare a tester. (For the resistance measurement, use the 100 Ω range.)

◆Checking method

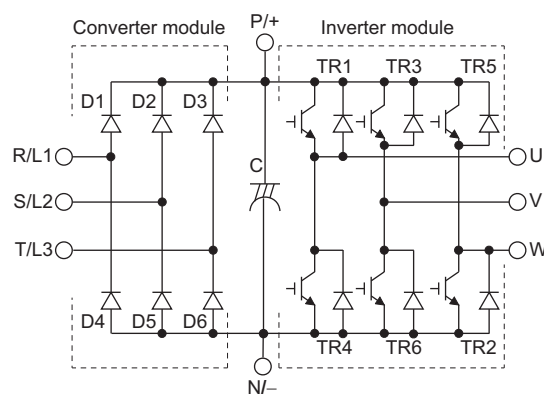
Change the polarity of the tester alternately at the inverter terminals R/L1, S/L2, T/L3, U, V, W, P/+, and N/- and check the electric continuity.

NOTE

- Before measurement, check that the smoothing capacitor is discharged.
- At the time of electric discontinuity, the measured value is almost ∞. When there is an instantaneous electric continuity, due to the smoothing capacitor, the tester may not indicate ∞. At the time of electric continuity, the measured value is several Ω to several tens of Ω. If all measured values are almost the same, although these values are not constant depending on the module type and tester type, the modules are without fault.

◆Module device numbers and terminals to be checked

| | | Tester polarity | | Result | | | Tester polarity | | Result |
|------------------|-----|-----------------|------|---------------|-----|------|-----------------|---------------|--------|
| | | ⊕ | ⊖ | | | | ⊕ | ⊖ | |
| Converter module | D1 | R/L1 | P/+ | Discontinuity | D4 | R/L1 | N/- | Continuity | |
| | | P/+ | R/L1 | Continuity | | N/- | R/L1 | Discontinuity | |
| | D2 | S/L2 | P/+ | Discontinuity | D5 | S/L2 | N/- | Continuity | |
| | | P/+ | S/L2 | Continuity | | N/- | S/L2 | Discontinuity | |
| | D3 | T/L3 | P/+ | Discontinuity | D6 | T/L3 | N/- | Continuity | |
| | | P/+ | T/L3 | Continuity | | N/- | T/L3 | Discontinuity | |
| Inverter module | TR1 | U | P/+ | Discontinuity | TR4 | U | N/- | Continuity | |
| | | P/+ | U | Continuity | | N/- | U | Discontinuity | |
| | TR3 | V | P/+ | Discontinuity | TR6 | V | N/- | Continuity | |
| | | P/+ | V | Continuity | | N/- | V | Discontinuity | |
| | TR5 | W | P/+ | Discontinuity | TR2 | W | N/- | Continuity | |
| | | P/+ | W | Continuity | | N/- | W | Discontinuity | |



(Assumes the use of an analog meter.)

5.1.5 Cleaning

Always run the inverter in a clean status.

When cleaning the inverter, gently wipe dirty areas with a soft cloth immersed in neutral detergent or ethanol.

NOTE

- Do not use solvent, such as acetone, benzene, toluene and alcohol, as these will cause the inverter surface paint to peel off.
- The display, etc. of the operation panel is vulnerable to detergent and alcohol. Therefore, avoid using them for cleaning.

5.1.6 Replacement of parts

The inverter consists of many electronic parts such as semiconductor devices.

The following parts may deteriorate with age because of their structures or physical characteristics, leading to reduced performance or fault of the inverter. For preventive maintenance, the parts must be replaced periodically.

Use the life check function as a guidance of parts replacement.

| Part name | Estimated lifespan*1 | Description |
|----------------------------------|----------------------|---------------------------------|
| Cooling fan, internal fan | 10 years | Replace (as required) |
| Main circuit smoothing capacitor | 10 years*2 | Replace (as required) |
| On-board smoothing capacitor | 10 years*2 | Replace the board (as required) |
| Relays | — | As required |
| Gasket | 2 years*3 | Replace (as required) |

*1 Estimated lifespan for when the yearly average ambient temperature is 35°C.
(without corrosive gas, flammable gas, oil mist, dust and dirt etc.)

*2 Output current: 80% of the inverter rating

*3 The estimated lifespan is only a guide. To maintain the waterproof and dustproof performances of the inverter, daily and periodic inspections are recommended.



- For parts replacement, contact the nearest Mitsubishi Electric FA center.

◆ Displaying the life of the inverter parts

The inverter diagnoses the main circuit capacitor, control circuit capacitor, cooling fan, internal fan, and inrush current limit circuit by itself and estimates their lives.

The self-diagnostic warning is output when the life span of each part is near its end. It gives an indication of replacement time.

The life warning output can be used as a guideline for life judgment.

| Parts | Judgment level |
|---|---|
| Main circuit capacitor | 85% of the initial capacity |
| Control circuit capacitor | Estimated remaining life 10% |
| Inrush current limit circuit | Estimated remaining life 10% (Power ON: 100,000 times left) |
| Cooling fan, internal air circulation fan | Less than 70% of the specified speed. |
| ABC relay contact | Estimated remaining life 10% |



- Refer to the FR-F800 Instruction Manual (Detailed) to perform the life check of the inverter parts.

◆ Life display of internal air circulation fans

- IP55 compatible models are equipped with the internal air circulation fan inside the inverter other than the cooling fan. The internal fan fault "FN2" appears on the operation panel (FR-LU08-01) when the rotations per minute is less than 70% of the rated value for the internal air circulation fan. (FN is displayed on the parameter unit (FR-PU07).) As an alarm display, Pr.255 bit 4 is turned ON and also a warning is output to the Y90 signal and Alarm (LF) signal.
- For the terminal used for the LF signal, set "98 (positive logic) or 198" (negative logic) in any of Pr.190 to Pr.196 (Output terminal function selection).

NOTE

- Changing the terminal assignment using Pr.190 to Pr.196 (Output terminal function selection) may affect the other functions. Set parameters after confirming the function of each terminal.
- For replacement of each part, contact the nearest Mitsubishi Electric FA center.

◆ Replacement procedure of the fan

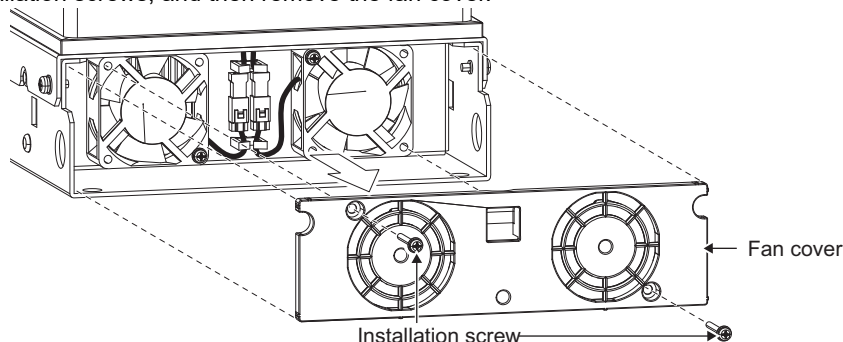
The replacement interval of the cooling fan used for cooling the parts generating heat such as the main circuit semiconductor is greatly affected by the ambient temperature. When unusual noise and/or vibration are noticed during inspection, the cooling fan must be replaced immediately.

NOTE

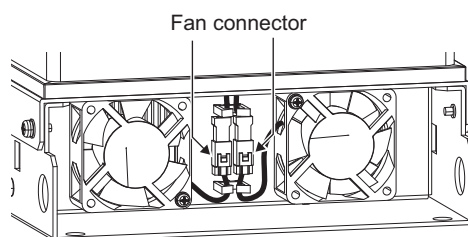
- Switch the power OFF before replacing fans. Even after the power supply is shut off, the inverter is charged and can cause an electric shock. Before replacing the fan, make sure to check that the voltage across inverter main circuit terminals P/+ and N/- has been dropped enough using a tester after 10 minutes or more after the power supply shutoff.

◆ Removal of the cooling fan (FR-F846-00250(11K) to 00470(22K))

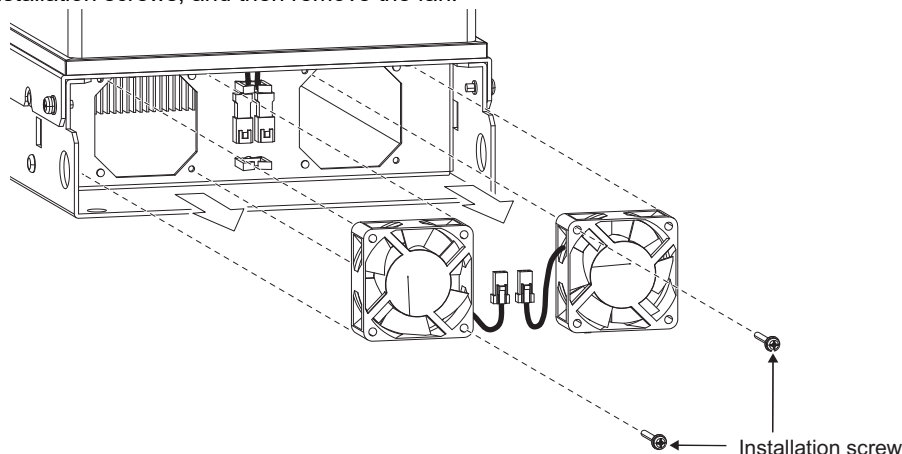
- (1) Remove the installation screws, and then remove the fan cover.



- (2) Disconnect the fan connectors.



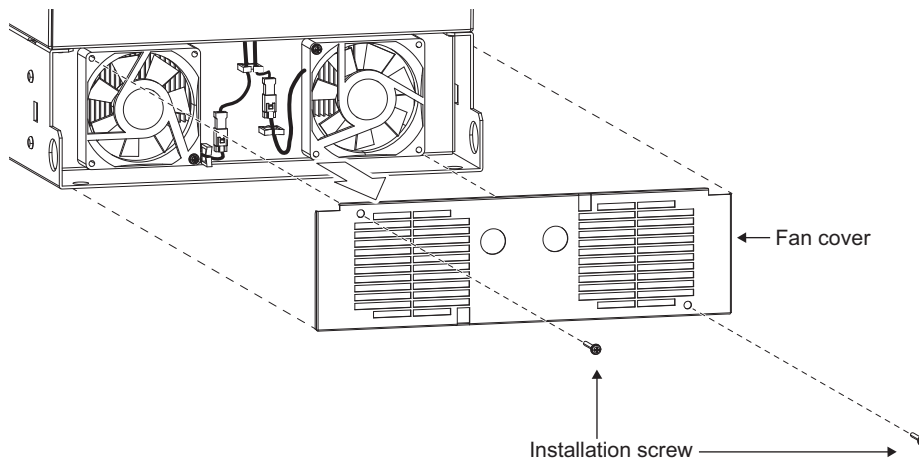
- (3) Remove the installation screws, and then remove the fan.



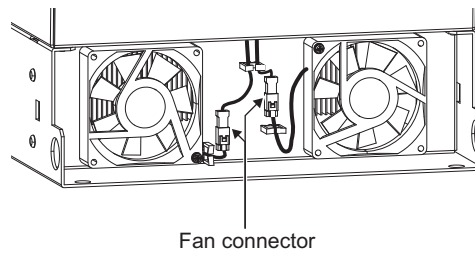
Inspection item

◆ Removal of the cooling fan (FR-F846-00620(30K) to 01160(55K))

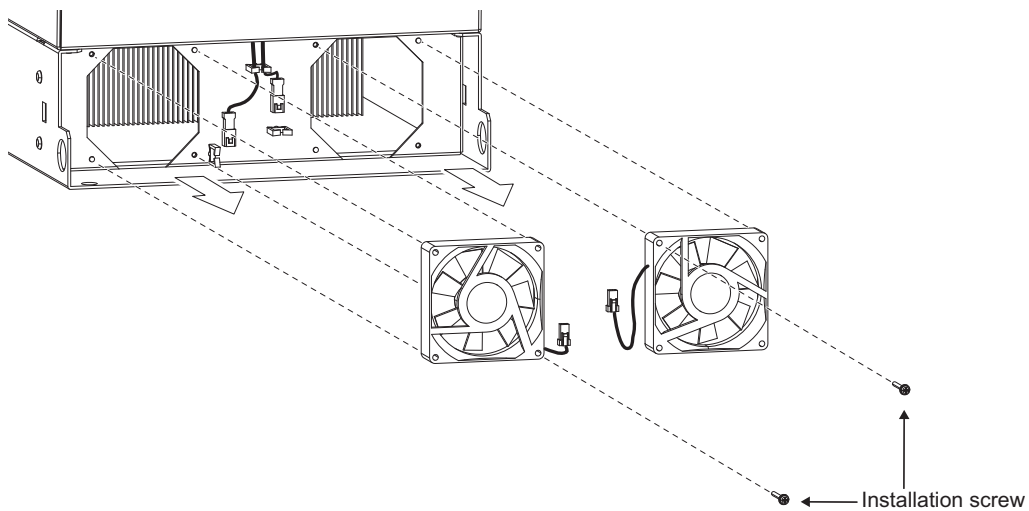
(1) Remove the installation screws, and then remove the fan cover.



(2) Disconnect the fan connectors.

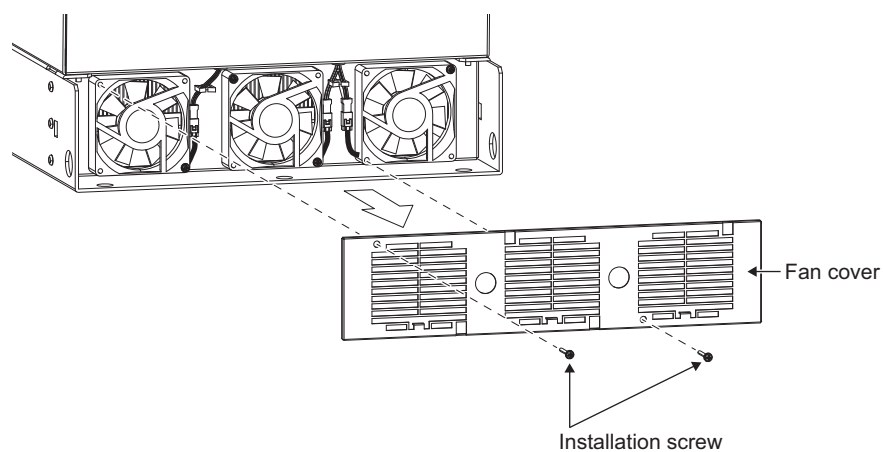


(3) Remove the installation screws, and then remove the fan.

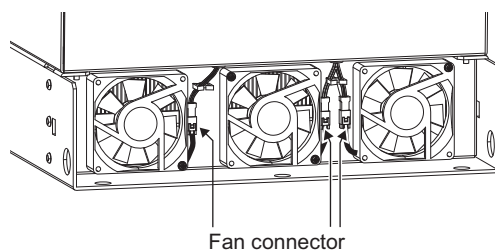


◆ Removal of the cooling fan (FR-F846-01800(75K) to 03610(160K))

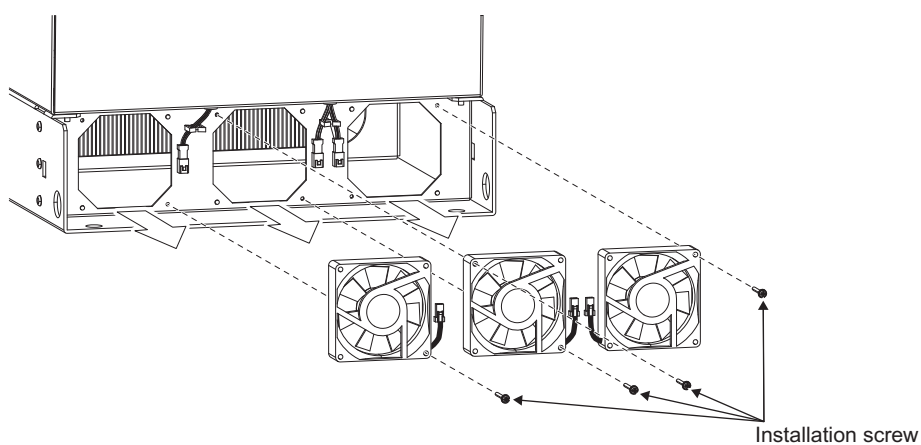
- (1) Remove the installation screws, and then remove the fan cover.



- (2) Disconnect the fan connectors.



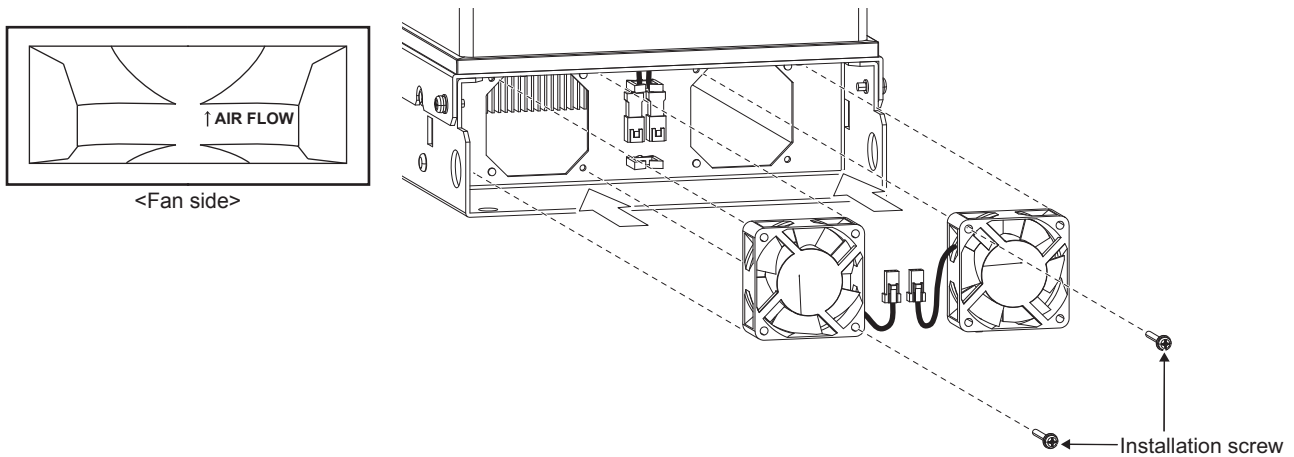
- (3) Remove the installation screws, and then remove the fan.



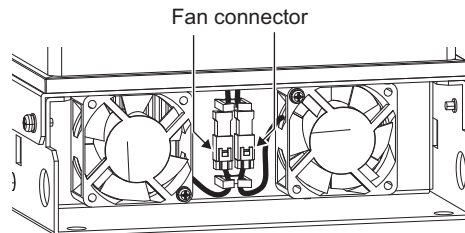
Inspection item

◆ Reinstallation of the cooling fan (FR-F846-00250(11K) to 00470(22K))

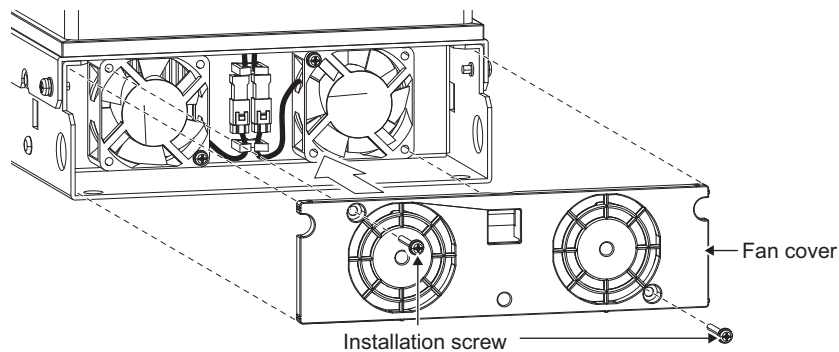
- (1) After confirming the orientation of the fan, reinstall the fan so that the "AIR FLOW" faces up. Then, fix the fan with the installation screws. (tightening torque 1.4 to 1.9 N•m)



- (2) Route the fan lead through the clamp, and then reconnect the fan connectors.



- (3) Attach the fan cover with the installation screws. (tightening torque 1.4 to 1.9 N•m)

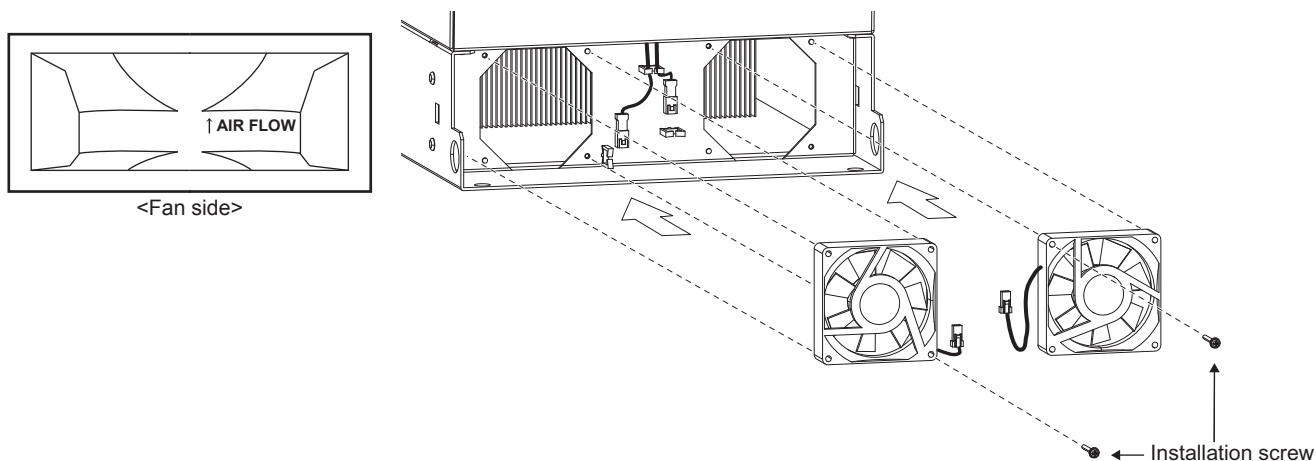


NOTE

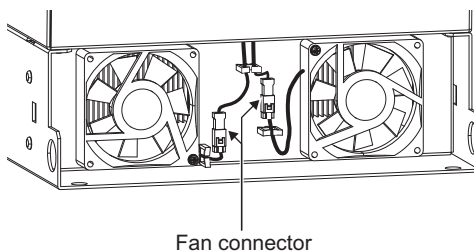
- Installing the fan in the opposite direction of air flow can cause the inverter life to be shorter.
- Prevent the cable from being caught when installing a fan.

◆ Reinstallation of the cooling fan (FR-F846-00620(30K) to 01160(55K))

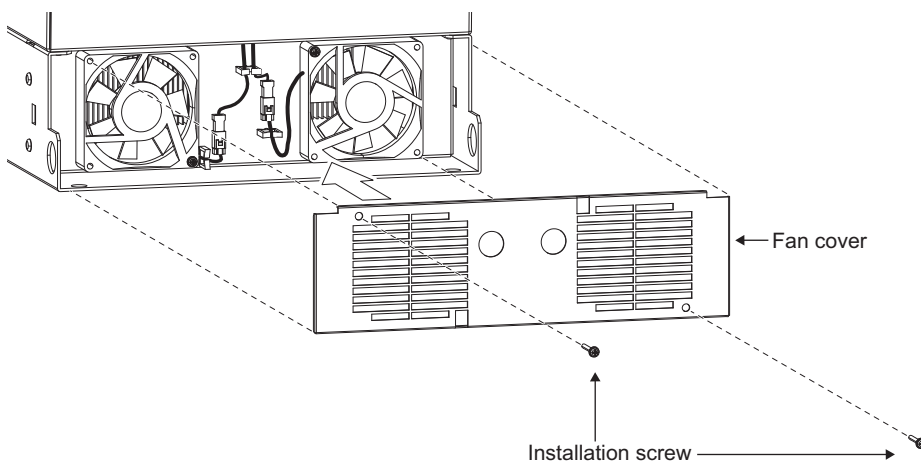
- (1) After confirming the orientation of the fan, reinstall the fan so that the "AIR FLOW" faces up. Then, fix the fan with the installation screws. (tightening torque 1.4 to 1.9 N•m)



- (2) Route the fan lead through the clamp, and then reconnect the fan connectors.



- (3) Attach the fan cover with the installation screws. (tightening torque 1.4 to 1.9 N•m)

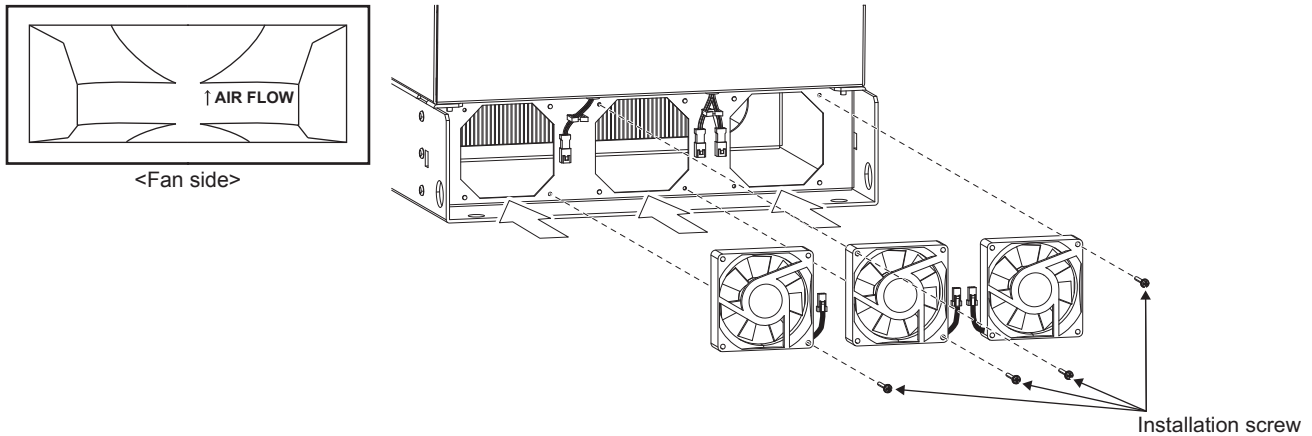


NOTE

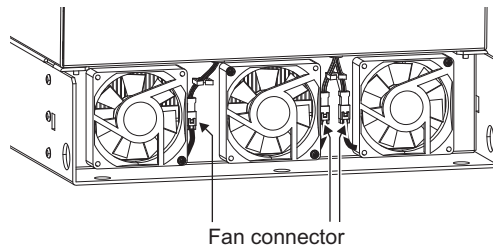
- Installing the fan in the opposite direction of air flow can cause the inverter life to be shorter.
- Prevent the cable from being caught when installing a fan.

◆ Reinstallation of the cooling fan (FR-F846-01800(75K) to 03610(160K))

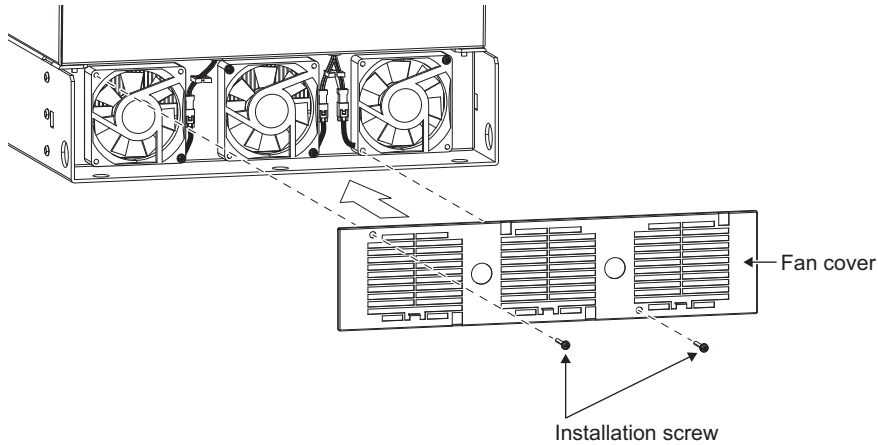
- (1) After confirming the orientation of the fan, reinstall the fan so that the "AIR FLOW" faces up. Then, fix the fan with the installation screws. (tightening torque 1.4 to 1.9 N•m)



- (2) Reconnect the fan connectors.



- (3) Attach the fan cover with the installation screws. (tightening torque 1.4 to 1.9 N•m)

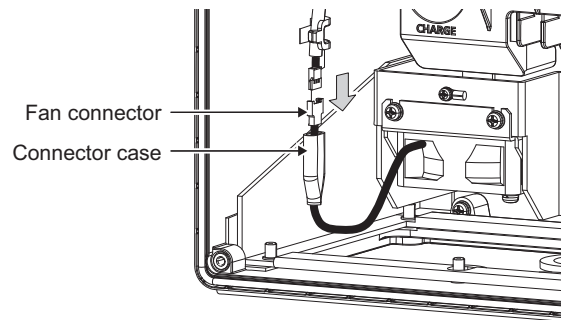


NOTE

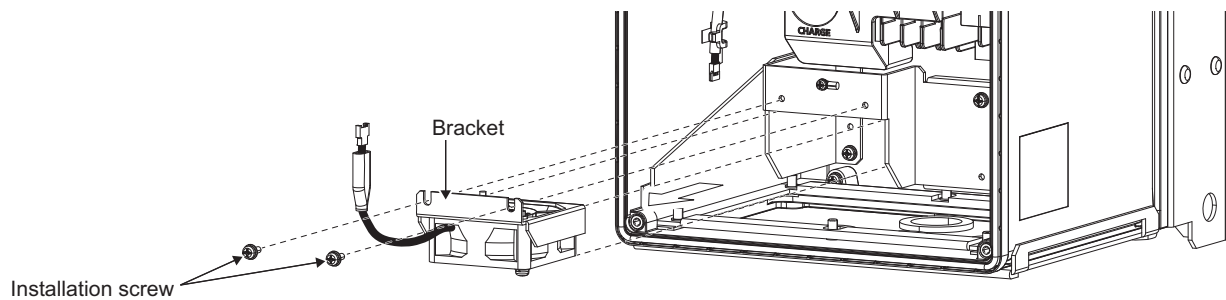
- Installing the fan in the opposite direction of air flow can cause the inverter life to be shorter.
- Prevent the cable from being caught when installing a fan.

◆ Removal of the internal fan (FR-F846-00170(7.5K) or lower)

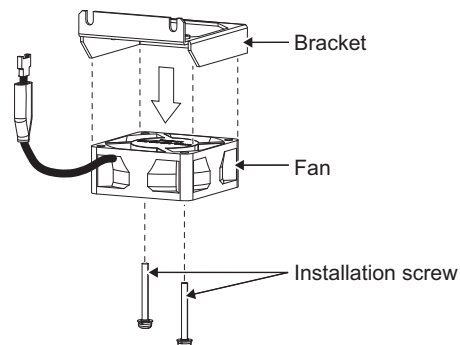
- (1) Remove the inverter front cover. (Refer to [page 17](#))
- (2) Move the fan connector case, and then remove the fan connector.



- (3) Remove the installation screws, and then remove the bracket.

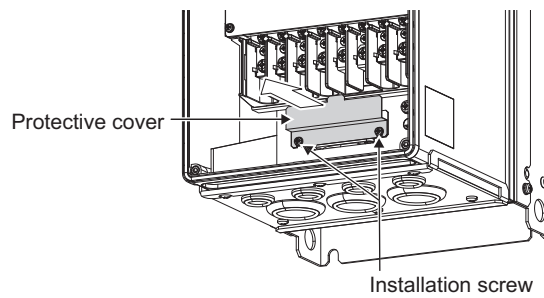


- (4) Remove the installation screws, and then remove the fan.

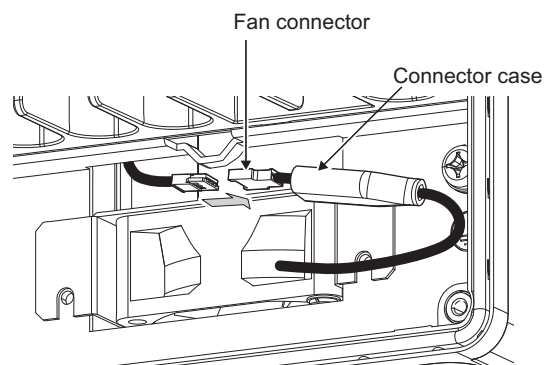


◆ Removal of the internal fan (FR-F846-00250(11K) to 00470(22K))

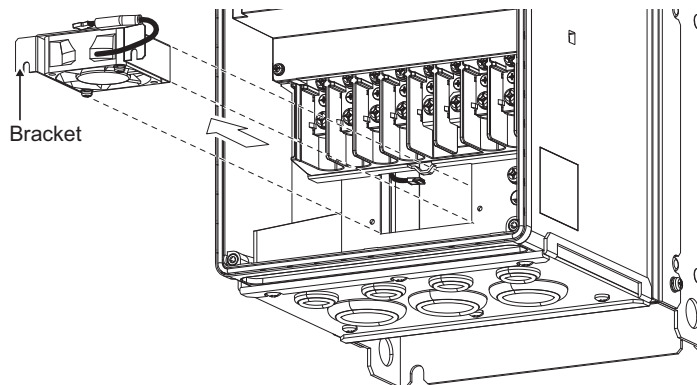
- (1) Remove the inverter front cover. (Refer to [page 17](#))
- (2) Remove the installation screws, and then remove the protective cover.



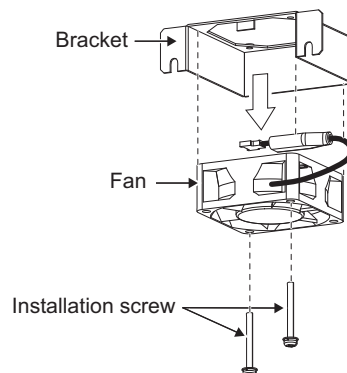
- (3) Move the fan connector case, and then remove the fan connector.



- (4) Remove the bracket.

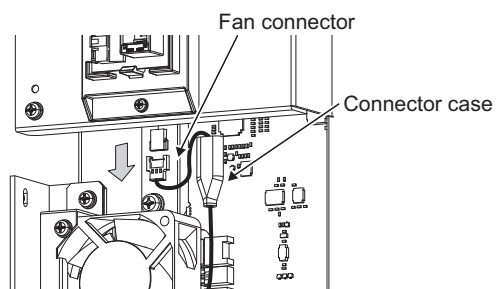


- (5) Remove the installation screws, and then remove the fan.

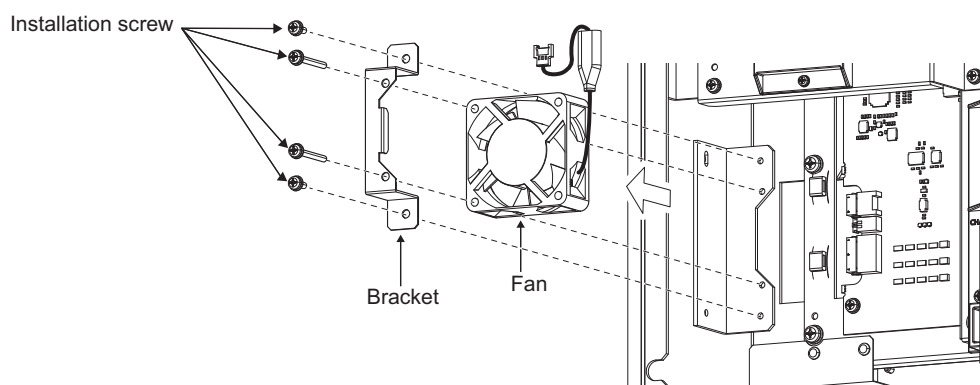


◆ Removal of the internal fan (FR-F846-00620(30K) to 01160(55K))

- (1) Remove the inverter front cover. (Refer to [page 17](#))
- (2) Move the fan connector case, and then remove the fan connector.

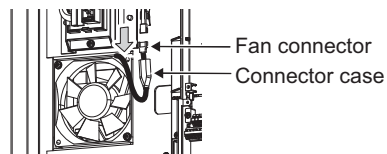


- (3) Remove the installation screws and the bracket, and then remove the fan.

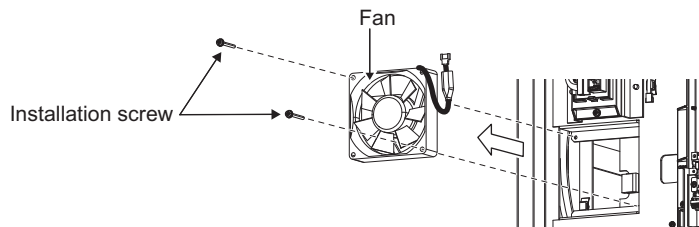


◆ Removal of the internal fan (upper) (FR-F846-01800(75K) to 02600(110K))

- (1) Remove the inverter front cover. (Refer to [page 17](#))
- (2) Move the fan connector case, and then remove the fan connector.

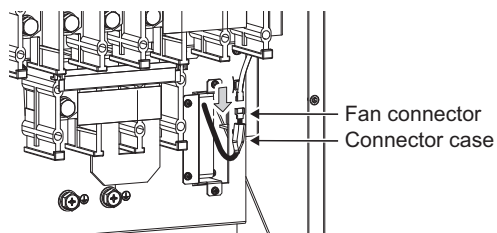


- (3) Remove the installation screws, and then remove the fan.

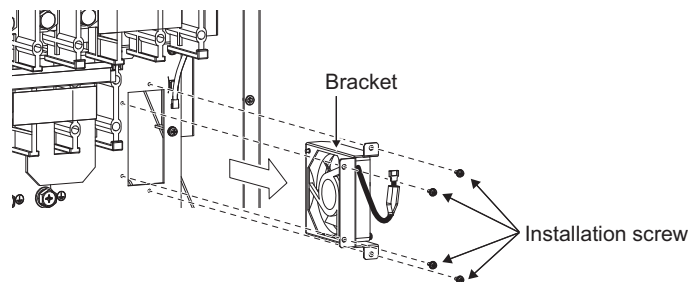


◆ Removal of the internal fan (lower) (FR-F846-01800(75K) to 02600(110K))

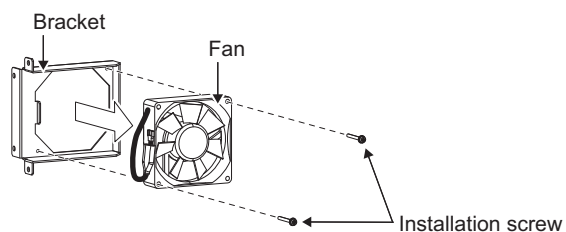
- (1) Remove the inverter front cover. (Refer to [page 17](#))
- (2) Move the fan connector case, and then remove the fan connector.



- (3) Remove the installation screws, and then remove the bracket.

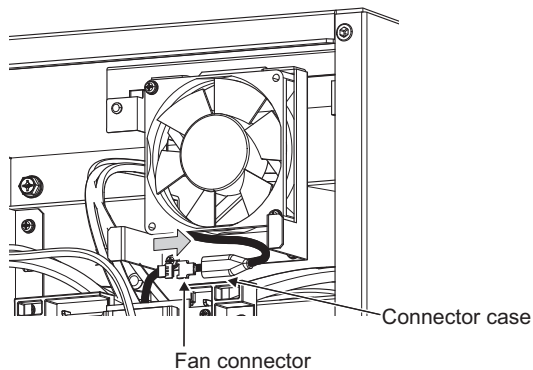


- (4) Remove the installation screws, and then remove the fan.

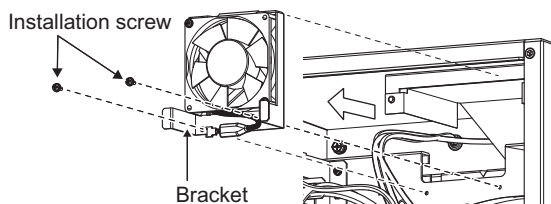


◆ **Removal of the internal fan (upper) (FR-F846-03250(132K) or higher)**

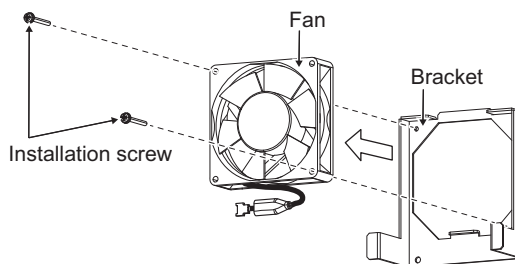
- (1) Remove the inverter front cover. (Refer to [page 17](#))
- (2) Move the fan connector case, and then remove the fan connector.



- (3) Remove the installation screws, and then remove the bracket.

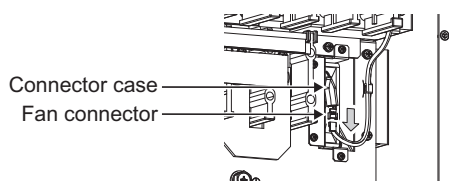


- (4) Remove the installation screws, and then remove the fan.

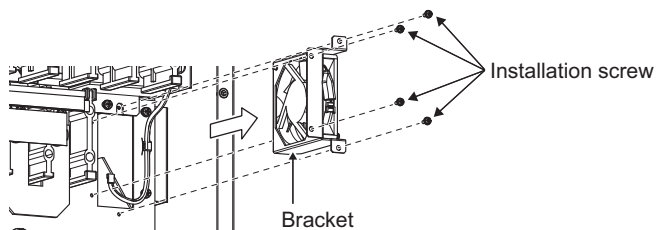


◆ **Removal of the internal fan (lower) (FR-F846-03250(132K) or higher)**

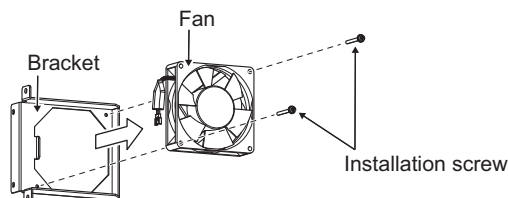
- (1) Remove the inverter front cover. (Refer to [page 17](#))
- (2) Move the fan connector case, and then remove the fan connector.



- (3) Remove the installation screws, and then remove the bracket.

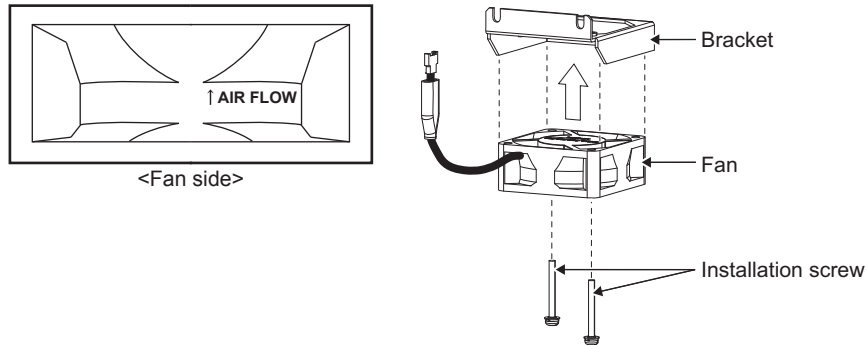


- (4) Remove the installation screws, and then remove the fan.

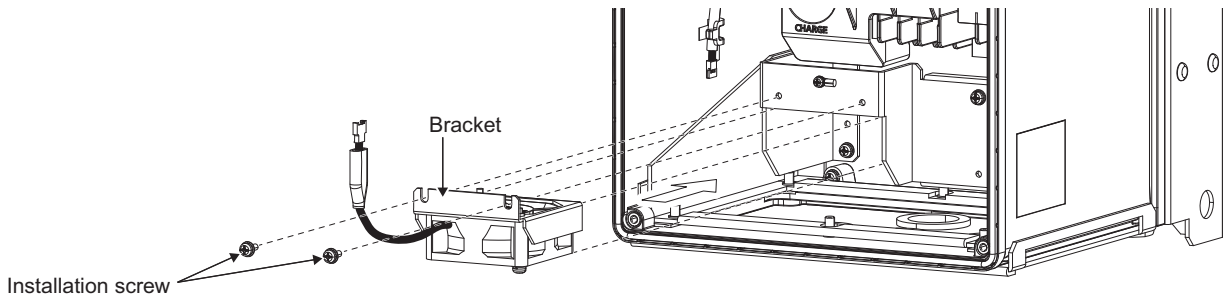


◆ Reinstallation of the internal fan (FR-F846-00170(7.5K) or lower)

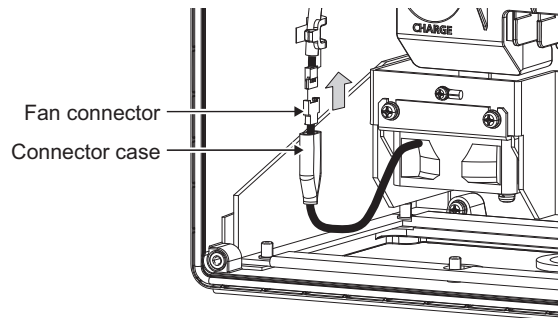
- (1) After confirming the orientation of the fan, fix the fan to the bracket with the installation screws so that the "AIR FLOW" arrow on the fan side faces up when the fan is installed to the inverter. (tightening torque 1.4 to 1.9 N•m)



- (2) Fix the bracket to the inverter with the installation screws. (tightening torque 1.4 to 1.9 N•m)



- (3) Reconnect the fan connector, and then place the connector case from the above.



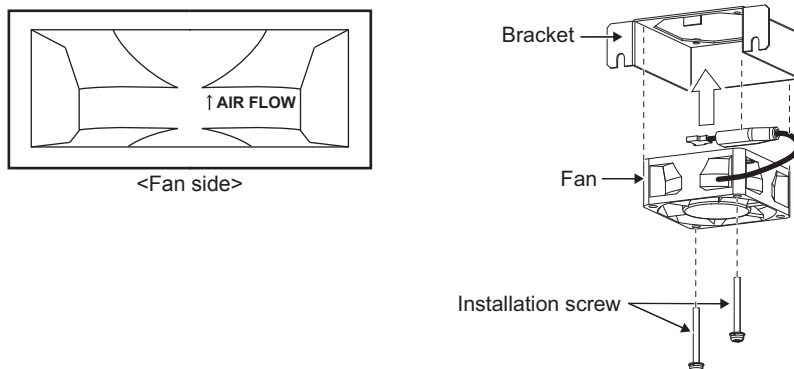
- (4) Reinstall the inverter front cover. (Refer to [page 17](#).)

NOTE

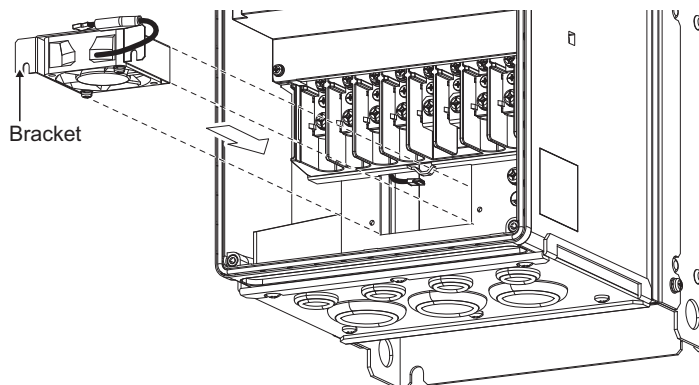
- Installing the fan in the opposite direction of air flow can cause the inverter life to be shorter.
- Prevent the cable from being caught when installing a fan.

◆ Reinstallation of the internal fan (FR-F846-00250(11K) to 00470(22K))

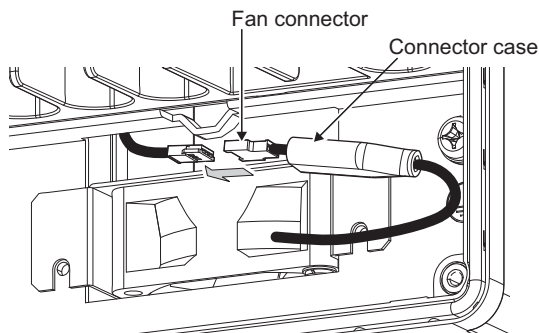
- (1) After confirming the orientation of the fan, fix the fan to the bracket with the installation screws so that the "AIR FLOW" arrow on the fan side faces up when the fan is installed to the inverter. (tightening torque 1.4 to 1.9 N•m)



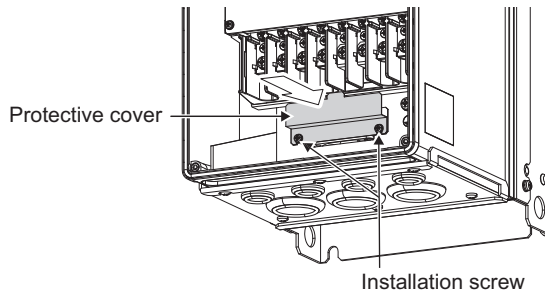
- (2) Attach the bracket to the inverter.



- (3) Reconnect the fan connector, and then place the connector case from the above.



- (4) Fix the protective cover with the installation screws. (tightening torque 1.4 to 1.9 N•m)



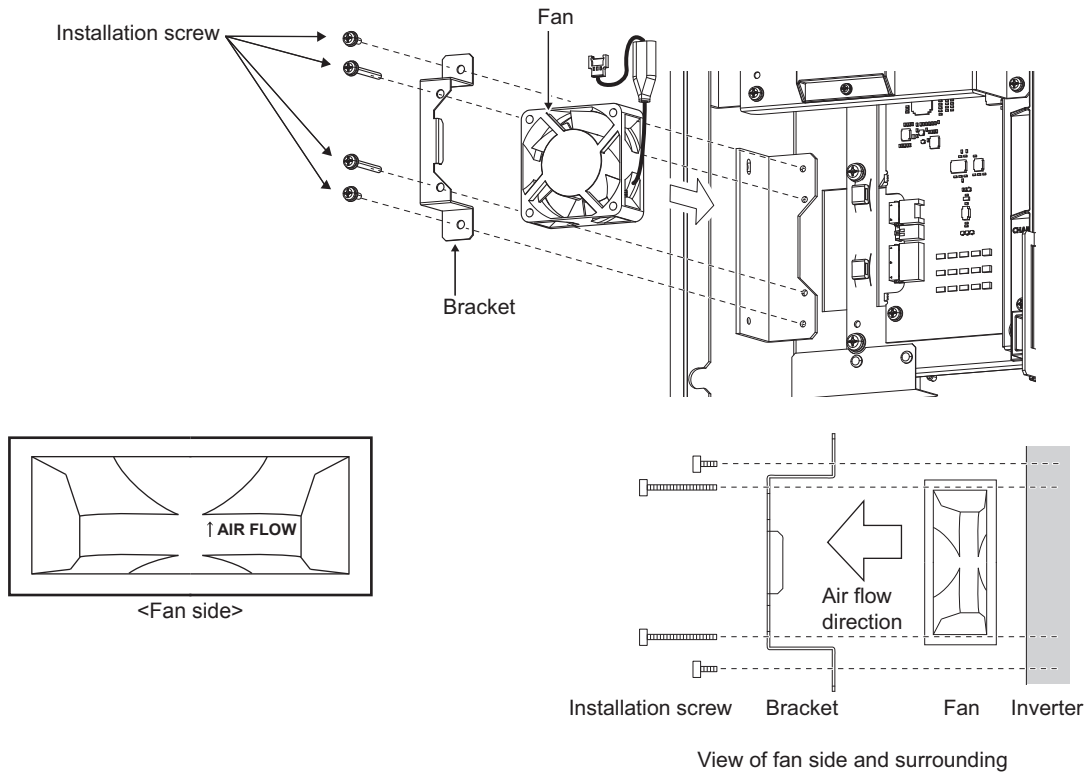
- (5) Reinstall the inverter front cover. (Refer to [page 17](#).)

NOTE

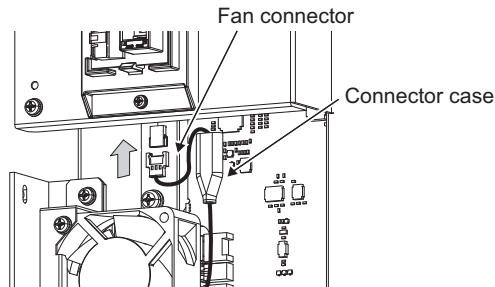
- Installing the fan in the opposite direction of air flow can cause the inverter life to be shorter.
- Prevent the cable from being caught when installing a fan.
- The wiring may contact the fan and be damaged. Always insert the protective cover.

◆ Reinstallation of the internal fan (FR-F846-00620(30K) to 01160(55K))

- (1) Fix the fan to the inverter with the bracket and the installation screws. (tightening torque 1.4 to 1.9 N•m)
 After confirming the orientation of the fan, reinstall the fan so that air flows as shown below.
 (The "AIR FLOW" arrow on the fan side indicates the air flow direction.)



- (2) Reconnect the fan connector, and then place the connector case from the above.



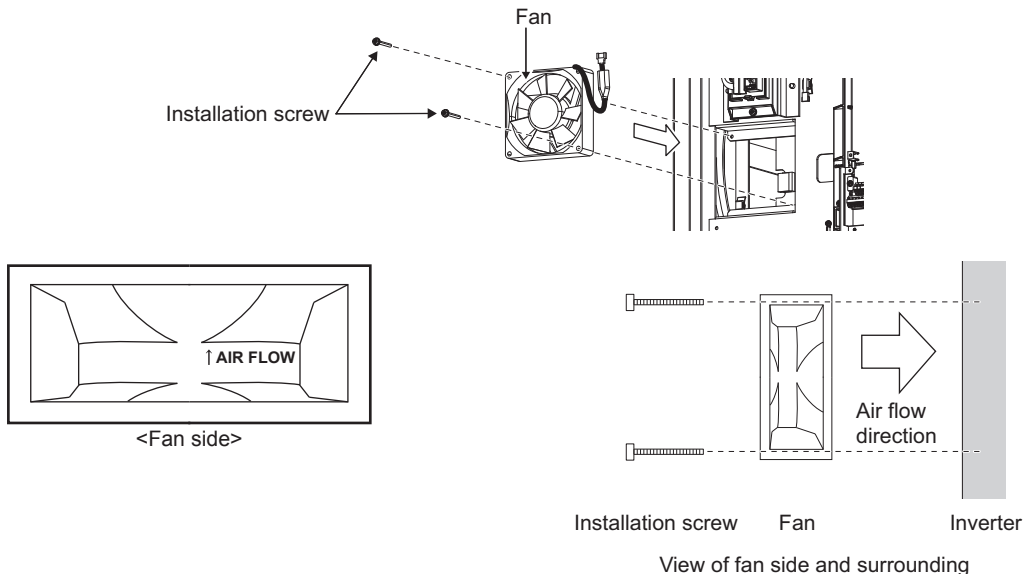
- (3) Reinstall the inverter front cover. (Refer to [page 17](#).)

NOTE

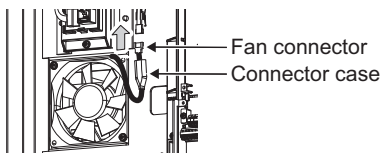
- Installing the fan in the opposite direction of air flow can cause the inverter life to be shorter.
- Prevent the cable from being caught when installing a fan.

◆ **Reinstallation of the internal fan (upper) (FR-F846-01800(75K) to 02600(110K))**

- (1) Fix the fan to the inverter with the installation screws. (tightening torque 1.4 to 1.9 N·m)
 After confirming the orientation of the fan, reinstall the fan so that air flows as shown below.
 (The "AIR FLOW" arrow on the fan side indicates the air flow direction.)



- (2) Reconnect the fan connector, and then place the connector case from the above.



- (3) Reinstall the inverter front cover. (Refer to [page 17](#).)

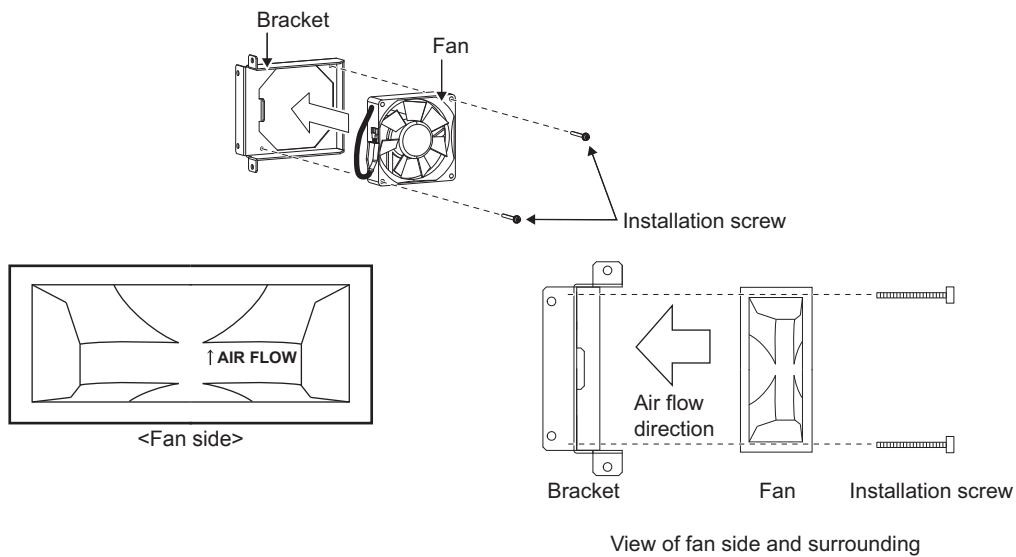
NOTE

- Installing the fan in the opposite direction of air flow can cause the inverter life to be shorter.
- Prevent the cable from being caught when installing a fan.

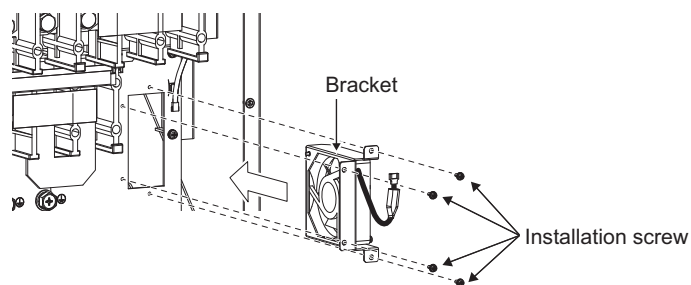
Inspection item

◆ Reinstallation of the internal fan (lower) (FR-F846-01800(75K) to 02600(110K))

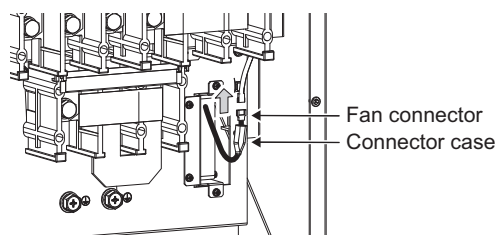
- (1) Fix the fan to the bracket with the installation screws. (tightening torque 1.4 to 1.9 N·m)
After confirming the orientation of the fan, reinstall the fan so that air flows as shown below.
(The "AIR FLOW" arrow on the fan side indicates the air flow direction.)



- (2) Attach the bracket to the inverter.



- (3) Reconnect the fan connector, and then place the connector case from the above.



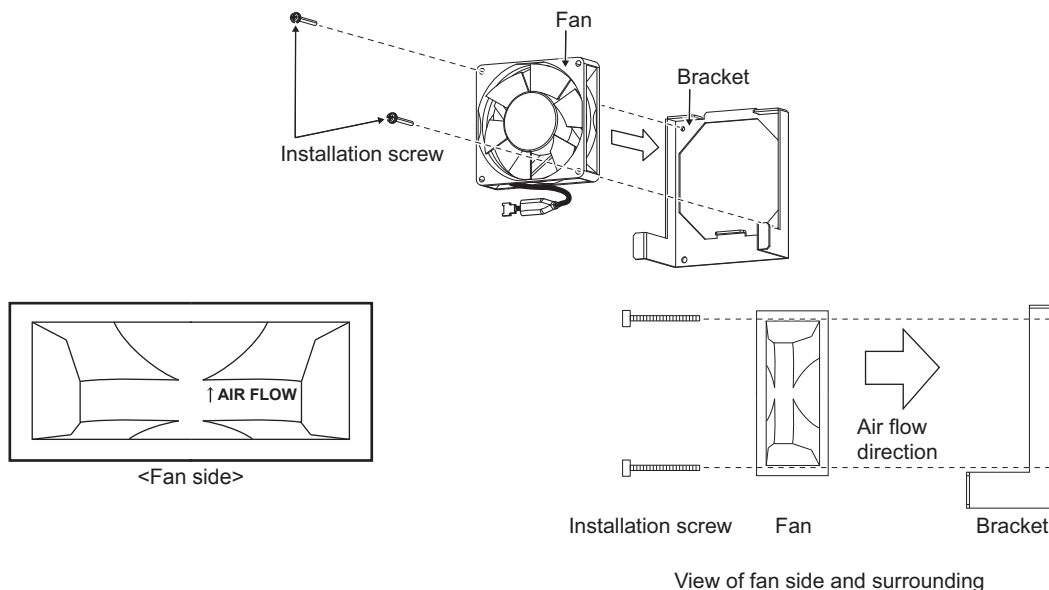
- (4) Reinstall the inverter front cover. (Refer to [page 17.](#))

NOTE

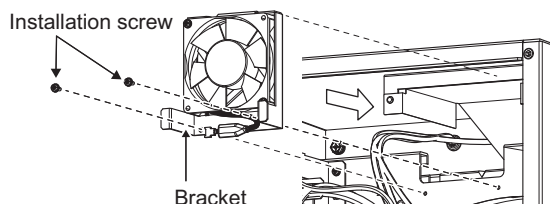
- Installing the fan in the opposite direction of air flow can cause the inverter life to be shorter.
- Prevent the cable from being caught when installing a fan.

◆ Reinstallation of the internal fan (upper) (FR-F846-03250(132K) or higher)

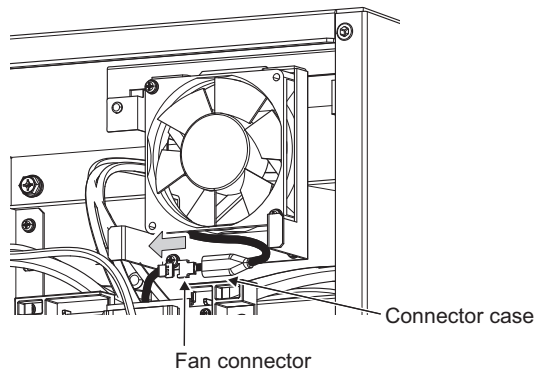
- (1) Fix the fan to the bracket with the installation screws. (tightening torque 1.4 to 1.9 N·m)
 After confirming the orientation of the fan, reinstall the fan so that air flows as shown below.
 (The "AIR FLOW" arrow on the fan side indicates the air flow direction.)



- (2) Attach the bracket to the inverter.



- (3) Reconnect the fan connector, and then place the connector case from the above.



- (4) Reinstall the inverter front cover. (Refer to [page 17](#).)

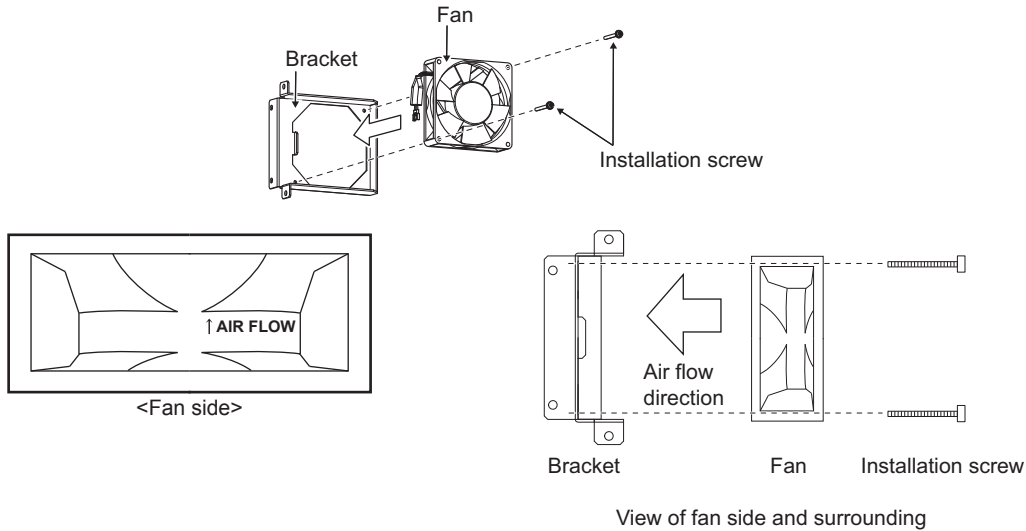
NOTE

- Installing the fan in the opposite direction of air flow can cause the inverter life to be shorter.
- Prevent the cable from being caught when installing a fan.

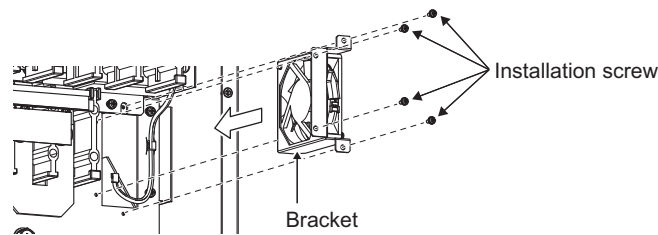
Inspection item

◆ Reinstallation of the internal fan (lower) (FR-F846-03250(132K) or higher)

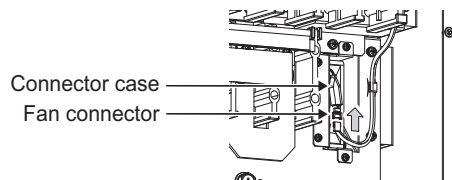
- (1) Fix the fan to the bracket with the installation screws. (tightening torque 1.4 to 1.9 N·m)
After confirming the orientation of the fan, reinstall the fan so that air flows as shown below.
(The "AIR FLOW" arrow on the fan side indicates the air flow direction.)



- (2) Attach the bracket to the inverter.



- (3) Reconnect the fan connector, and then place the connector case from the above.



- (4) Reinstall the inverter front cover. (Refer to [page 17](#).)

NOTE

- Installing the fan in the opposite direction of air flow can cause the inverter life to be shorter.
- Prevent the cable from being caught when installing a fan.

◆ Smoothing capacitors

A large-capacity aluminum electrolytic capacitor is used for smoothing in the DC section of the main circuit, and an aluminum electrolytic capacitor is used for stabilizing the control power in the control circuit. Adverse effects from ripple currents deteriorate capacitors. Replacement intervals of capacitors vary greatly with surrounding temperatures and operating conditions. Replace them roughly every 10 years when used in normal air-conditioned environments.

Inspecting the product visually:

- Case: Check that the sides and bottom of the capacitor have not ruptured.
- Rubber seal: Check for any noticeable bulging or severe cracks.
- Check for external crack, discoloration, leakage, etc. It is assumed that the capacitor has reached the end of its life when its capacity has dropped below 80% of its rated capacity.

NOTE

- The inverter diagnoses the main circuit capacitor and control circuit capacitor by itself and can estimate its remaining life.. (Refer to the FR-F800 Instruction manual (Detailed).)

◆ Relay output terminals

- The contacts of relays deteriorate over time. To prevent faults from occurring, relays must be replaced when they have reached the maximum number of switching operations (switching life).
- The control terminal block must be replaced in case of failure of either relay between the relay output terminals C1 and B1 or A1, or terminals C2 and B2 or A2. (After replacing the control terminal block, connect the jumper connector to the correct position in accordance with the control logic of input signals. (Refer to [page 40.](#)))

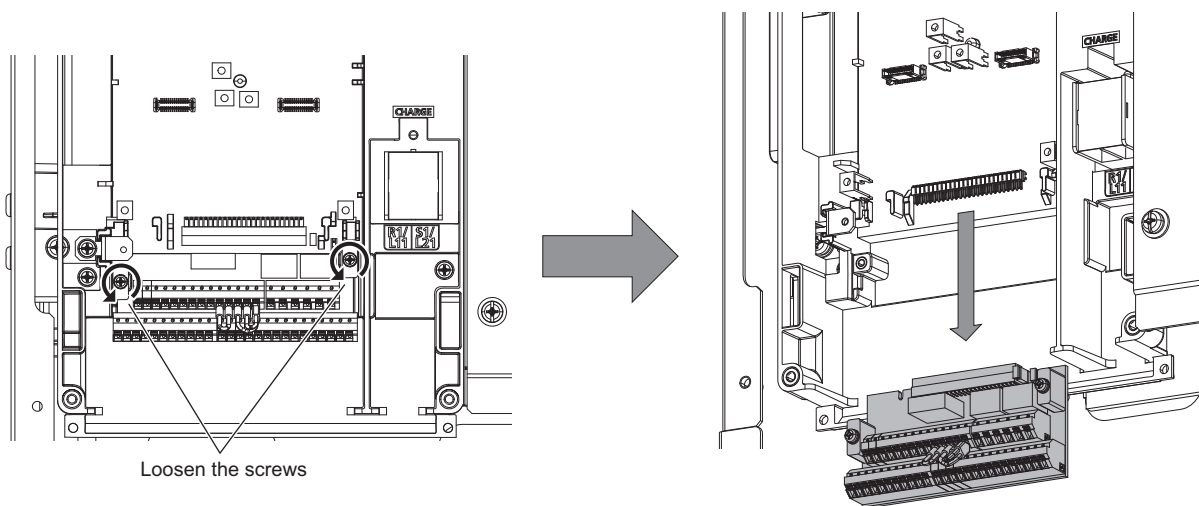
5.1.7 Removal and reinstallation of the control circuit terminal block

This product has a removable control circuit terminal block, which can be replaced with a new one or a control terminal option.

◆ Removal and reinstallation

- (1) Loosen the two installation screws at the both side of the control circuit terminal block. (These screws cannot be removed.)

Slide down the control circuit terminal block to remove it.



- (2) Be careful not to bend the pins of the inverter's control circuit connector, reinstall the control circuit terminal block and fix it with the mounting screws.

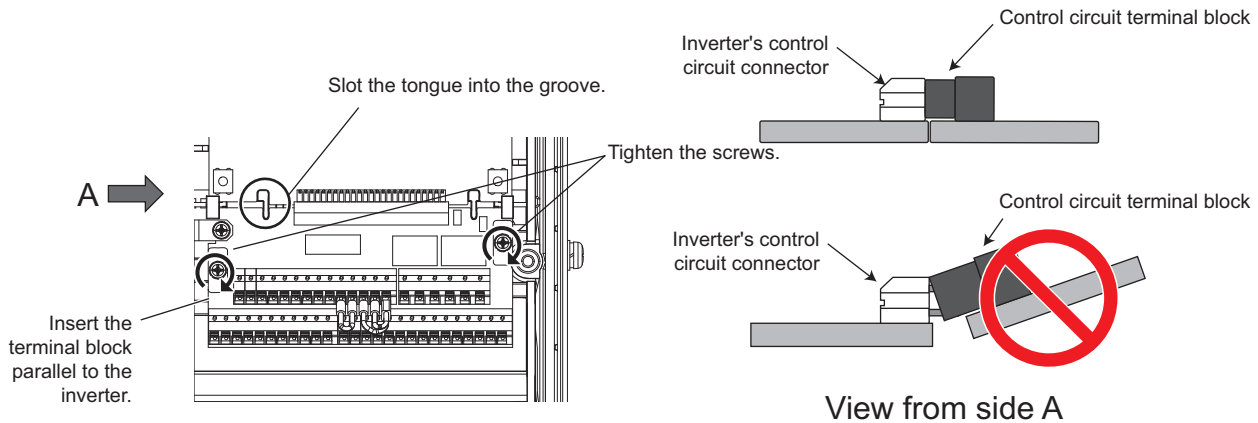
NOTE

- Before starting inverter replacement, switch OFF the power, wait for at least 10 minutes, and then check the voltage with a tester and such to ensure safety.

◆ Removal and reinstallation precautions

Precautions to be taken when removing or reinstalling the control circuit terminal block are shown below. Observe the following precautions and handle the inverter properly to avoid malfunctions or failures.

- To remove or reinstall the control circuit terminal block, keep it upright so that it is parallel with the inverter.
- To install the control circuit terminal block, slide it upward so that the tongues on the inverter slot into the grooves on the terminal block.
- Check that the terminal block is parallel to the inverter and the pins on the inverter control circuit connector are not bent. After checking proper connection, fix the terminal block in place with two screws.



NOTE

- Do not tilt the terminal block while tightening the screws or removing it from the inverter. (Otherwise, a stress applied to the control circuit terminal block or the control circuit connector may cause damage to them.)

After replacing the control terminal block, connect the jumper connector to the correct position in accordance with the control logic of input signals. (Refer to [page 40](#).)

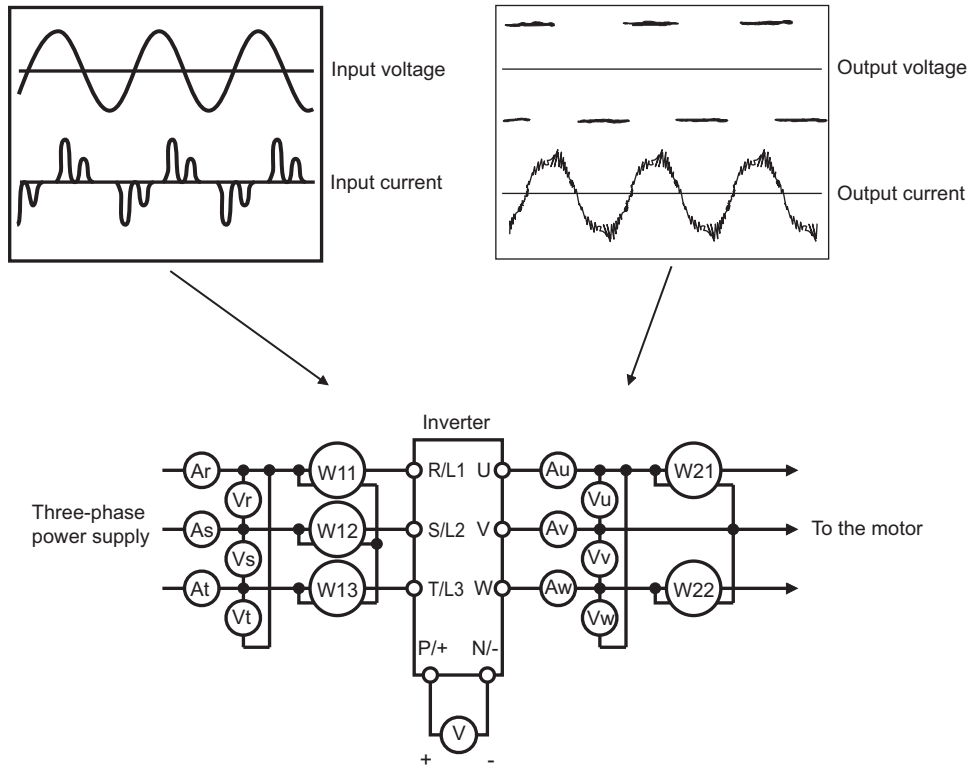
5.2 Measurement of main circuit voltages, currents, and powers

Since the voltages and currents on the inverter power supply and output sides include harmonics, measurement data depends on the instruments used and circuits measured.

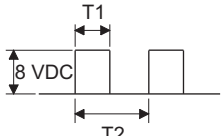
When instruments for commercial frequency are used for measurement, measure the following circuits with the instruments given on the next page.

NOTE

- When installing meters etc. on the inverter output side
When the inverter-to-motor wiring length is large, especially small-capacity models, the meters and CTs may generate heat due to line-to-line leakage current. Therefore, choose the equipment which has enough allowance for the current rating.
To measure and display the output voltage and output current of the inverter, it is recommended to use the terminal AM and FM/CA output functions of the inverter.



◆ Measuring points and instruments

| Item | Measuring point | Measuring instrument | Remarks (reference measured value) | | | | | | | |
|---|---|---|---|---|---|---------|------------------|---------------|------------|------------------|
| Power supply voltage V1 | Across R/L1 and S/L2, S/L2 and T/L3, T/L3 and R/L1 | Digital power meter (designed for inverter) | Commercial power supply Within permissible AC voltage fluctuation (Refer to page 116 .) | | | | | | | |
| Power supply side current I1 | R/L1, S/L2, T/L3 line current | | | | | | | | | |
| Power supply side power P1 | R/L1, S/L2, T/L3 and Across R/L1 and S/L2, S/L2 and T/L3, T/L3 and R/L1 | | P1 = W11 + W12 + W13 (3-wattmeter method) | | | | | | | |
| Power supply side power factor Pf1 | Calculate after measuring power supply voltage, power supply side current and power supply side power. $Pf_1 = \frac{P_1}{\sqrt{3}V_1 \times I_1} \times 100 \%$ | | | | | | | | | |
| Output side voltage V2 | Across U and V, V and W, and W and U | Digital power meter (designed for inverter)*1 | Difference between the phases is within 1% of the maximum output voltage. | | | | | | | |
| Output side current I2 | U, V and W line currents | Digital power meter (designed for inverter) | Difference between the phases is 10% or lower of the inverter rated current. | | | | | | | |
| Output side power P2 | U, V, W and across U and V, V and W | | P2 = W21 + W22 2-wattmeter method (or 3-wattmeter method) | | | | | | | |
| Output side power factor Pf2 | Calculate in similar manner to power supply side power factor. $Pf_2 = \frac{P_2}{\sqrt{3}V_2 \times I_2} \times 100 \%$ | | | | | | | | | |
| Converter output | Across P/+ and N/- | Digital multimeter or other tester | Inverter LED is lit. 1.35 × V1 | | | | | | | |
| Frequency setting signal | Across 2, 4(+) and 5 | Digital multimeter or other tester, or moving-coil type instrument (internal resistance 50 kΩ or more) | 0 to 10 VDC, 4 to 20 mA | | | | | | | |
| | Across 1(+) and 5 | | 0 to ±5 VDC and 0 to ±10 VDC | | | | | | | |
| Frequency setting power supply | Across 10(+) and 5 | | 5.2 VDC | | | | | | | |
| | Across 10E(+) and 5 | | 10 VDC | | | | | | | |
| Frequency meter signal | Across AM(+) and 5 | | Approximately 10 VDC at maximum frequency (without frequency meter) | "5" is common | | | | | | |
| | Across CA(+) and 5 | | Approximately 20 mADC at maximum frequency | | | | | | | |
| | Across FM(+) and SD | | Approximately 5 VDC at maximum frequency (without frequency meter) | "SD" is common | | | | | | |
| Start signal Select signal Reset signal Output stop signal | Across STF, STR, RH, RM, RL, JOG, RT, AU, STOP, CS, RES, MRS(+) and SD (for sink logic) | | When open 20 to 30 VDC ON voltage: 1 V or less | | Pulse width T1: Adjust with C0 (Pr.900) . Pulse cycle T2: Set with Pr.55 . (frequency monitor only) | | | | | |
| | | | |  | | | | | | |
| Fault signal | Across A1 and C1 | | Digital multimeter or other tester | Continuity check*2 | | | | | | |
| | Across B1 and C1 | <table border="0"> <tr> <td></td> <td>[Normal]</td> <td>[Fault]</td> </tr> <tr> <td>Across A1 and C1</td> <td>Discontinuity</td> <td>Continuity</td> </tr> <tr> <td>Across B1 and C1</td> <td>Continuity</td> <td>Discontinuity</td> </tr> </table> | | | [Normal] | [Fault] | Across A1 and C1 | Discontinuity | Continuity | Across B1 and C1 |
| | [Normal] | [Fault] | | | | | | | | |
| Across A1 and C1 | Discontinuity | Continuity | | | | | | | | |
| Across B1 and C1 | Continuity | Discontinuity | | | | | | | | |

*1 Use an FFT to measure the output voltage accurately. A tester or general measuring instrument cannot measure accurately.

*2 When the setting of **Pr.195 ABC1 terminal function selection** is the positive logic

5.2.1 Measurement of powers

Use digital power meters (for inverter) for the both of inverter input and output side.

5.2.2 Measurement of voltages

◆ Inverter input side

Use digital power meters (for inverters) for the input side voltage.

◆ Inverter output side

When using a measuring instrument, use a digital power meter for inverters as the inverter outputs PWM-controlled square wave voltage. The value monitored on the operation panel is the inverter-controlled voltage itself. Monitoring values via the operation panel or by outputting the analog signal is recommended as these values are accurate.

5.2.3 Measurement of currents

Use digital power meters (for inverter) both on the inverter's input and output sides.

Since the inverter input current tends to be unbalanced, measurement of three phases is recommended. The correct value cannot be obtained by measuring only one or two phases. On the other hand, the unbalanced ratio of each phase of the output side current should be within 10%.

The inverter output current can be monitored on the operation panel. The value displayed on the operation panel is accurate even if the output frequency varies. Hence, it is recommended to monitor values on the operation panel.

5.2.4 Measurement of inverter input power factor

Calculate using effective power and apparent power. A power-factor meter cannot indicate an exact value.

$$\begin{aligned} \text{Total power factor of the inverter} &= \frac{\text{Effective power}}{\text{Apparent power}} \\ &= \frac{\text{Three-phase input power found by the 3-wattmeter method}}{\sqrt{3} \times V \text{ (power supply voltage)} \times I \text{ (input current effective value)}} \end{aligned}$$

5.2.5 Measurement of converter output voltage (across terminals P and N)

The output voltage of the converter is output across terminals P and N, and can be measured with a voltmeter such as a digital multimeter. Although the voltage varies according to the power supply voltage, approximately 540 VDC to 600 VDC is output when no load is connected and voltage decreases during driving load operation.

When energy is regenerated from the motor during deceleration, for example, the converter output voltage rises to nearly 800 VDC to 900 VDC maximum.

5.2.6 Measurement of inverter output frequency

In the initial setting of the FM-type inverter, a pulse train proportional to the output frequency is output across the pulse train output terminals FM and SD of the inverter. This pulse train output can be counted by a frequency counter, or a digital multimeter can be used to read the mean value of the pulse train output voltage. When a meter is used to measure the output frequency, approximately 5 VDC is indicated at the maximum frequency.

For detailed specifications of the pulse train output terminal FM, refer to the FR-F800 Instruction Manual (Detailed).

In the initial setting of the CA-type inverter, a pulse train proportional to the output frequency is output across the analog current output terminals CA and 5 of the inverter. Measure the current using a digital multimeter.

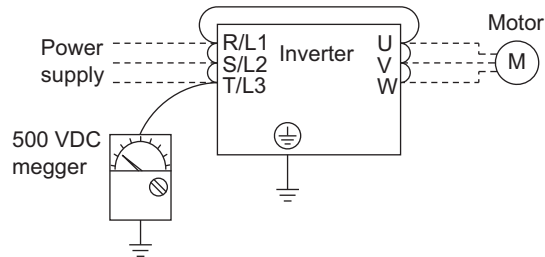
For detailed specifications of the analog current output terminal CA, refer to the FR-F800 Instruction Manual (Detailed).

5.2.7 Insulation resistance test using megger

For the inverter, conduct the insulation resistance test on the main circuit only as shown below and do not perform the test on the control circuit. (Use a 500 VDC megger.)

NOTE

- Before performing the insulation resistance test on the external circuit, disconnect the cables from all terminals of the inverter so that the test voltage is not applied to the inverter.
- For the continuity test of the control circuit, use a tester (high resistance range) and do not use the megger or buzzer.



5.2.8 Pressure test

Do not conduct a pressure test. Deterioration may occur.

6 SPECIFICATIONS

This chapter explains the "SPECIFICATIONS" of this product.
Always read the instructions before using the equipment.

| | | |
|------------|--|------------|
| 6.1 | Inverter rating..... | 116 |
| 6.2 | Common specifications | 117 |
| 6.3 | Inverter outline dimension drawings | 119 |

6.1 Inverter rating

| Model FR-F846-□ | | 00023 (0.75K) | 00038 (1.5K) | 00052 (2.2K) | 00083 (3.7K) | 00126 (5.5K) | 00170 (7.5K) | 00250 (11K) | 00310 (15K) | 00380 (18.5K) | 00470 (22K) | 00620 (30K) | 00770 (37K) | 00930 (45K) | 01160 (55K) | 01800 (75K) | 02160 (90K) | 02600 (110K) | 03250 (132K) | 03610 (160K) | |
|-----------------------------------|------------------------------------|---|-----------------|-----------------|-----------------|-----------------|-----------------|----------------|-----------------------------------|------------------|----------------|----------------|----------------|----------------|----------------|----------------|----------------|-----------------|-----------------|-----------------|--|
| Applicable motor capacity (kW) *1 | | 0.75 | 1.5 | 2.2 | 3.7 | 5.5 | 7.5 | 11 | 15 | 18.5 | 22 | 30 | 37 | 45 | 55 | 75 | 90 | 110 | 132 | 160 | |
| Output | Rated capacity (kVA) *2 | 1.6 | 2.7 | 3.7 | 5.8 | 8.8 | 12 | 18 | 22 | 27 | 33 | 43 | 53 | 65 | 81 | 110 | 137 | 165 | 198 | 248 | |
| | Rated current (A) | 2.1 | 3.5 | 4.8 | 7.6 | 11.5 | 16 | 23 | 29 | 35 | 43 | 57 | 70 | 85 | 106 | 144 | 180 | 216 | 260 | 325 | |
| Overload current rating *3 | | 120% 60 s, 150% 3 s (inverse-time characteristics) at ambient temperature of 40°C | | | | | | | | | | | | | | | | | | | |
| Rated voltage *4 | | Three-phase 380 to 500 V | | | | | | | | | | | | | | | | | | | |
| Power supply | Rated input AC voltage/frequency | Three-phase 380 to 500 V 50 Hz/60 Hz *7 | | | | | | | | | | | | | | | | | | | |
| | Permissible AC voltage fluctuation | 323 to 550 V 50 Hz/60 Hz | | | | | | | | | | | | | | | | | | | |
| | Permissible frequency fluctuation | ±5% | | | | | | | | | | | | | | | | | | | |
| | Rated input current (A) *5 | 2.1 | 3.5 | 4.8 | 7.6 | 11.5 | 16 | 23 | 29 | 35 | 43 | 57 | 70 | 85 | 106 | 144 | 180 | 216 | 260 | 325 | |
| Power supply capacity (kVA) *6 | | 1.6 | 2.7 | 3.7 | 5.8 | 9 | 12 | 18 | 22 | 27 | 33 | 43 | 53 | 65 | 81 | 110 | 137 | 165 | 198 | 248 | |
| Protective structure | IEC 60529 | Dust- and water-proof type (IP55) *9 | | | | | | | | | | | | | | | | | | | |
| | UL50 | UL Type12 *8 | | | | | | | | | | | | | | | | | | | |
| Cooling system | | Self cooling + internal fan | | | | | | | Forced-air-cooling + internal fan | | | | | | | | | | | | |
| Approx. mass (kg) | | 15 | 15 | 15 | 15 | 16 | 17 | 26 | 26 | 27 | 27 | 59 | 60 | 63 | 64 | 147 | 150 | 153 | 189 | 193 | |

- *1 The applicable motor capacity indicated is the maximum capacity applicable for use of the Mitsubishi Electric standard 4-pole motor.
- *2 The rated output capacity indicated assumes that the output voltage is 440 V.
- *3 The % value of the overload current rating indicated is the ratio of the overload current to the inverter's rated output current. For repeated duty, allow time for the inverter and motor to return to or below the temperatures under 100% load.
- *4 The maximum output voltage does not exceed the power supply voltage. The maximum output voltage can be changed within the setting range. However, the maximum point of the voltage waveform at the inverter output side is the power supply voltage multiplied by about $\sqrt{2}$.
- *5 The rated input current indicates a value at a rated output voltage. The impedance at the power supply side (including those of the input reactor and cables) affects the rated input current.
- *6 The power supply capacity is the value when at the rated output current. It varies by the impedance at the power supply side (including those of the input reactor and cables).
- *7 For the power voltage exceeding 480 V, set **Pr.977 Input voltage mode selection**. (For the details, refer to the FR-F800 Instruction Manual (Detailed).)
- *8 UL Type 12 Enclosure-Suitable for Installation in a Compartment Handling Conditioned Air (Plenum)
- *9 For compliance with IP55, remove the protective bushes and install the recommended cable glands.

6.2 Common specifications

| | | | | |
|----------------------------------|--|---|---|--|
| Control specifications | Control method | | Soft-PWM control, high carrier frequency PWM control (selectable among V/F control (Optimum excitation control), Advanced magnetic flux vector control (Advanced optimum excitation control) and PM motor control) | |
| | Output frequency range | | 0.2 to 590 Hz (The upper-limit frequency is 400 Hz under Advanced magnetic flux vector control, and PM motor control.) | |
| | Frequency setting resolution | Analog input | 0.015 Hz/60 Hz (terminal 2, 4: 0 to 10 V/12 bits) | |
| | | Digital input | 0.03 Hz/60 Hz (0 to 5 V/11 bits or 0 to 20 mA/approx. 11 bits for terminals 2 and 4, 0 to ±10 V/12 bits for terminal 1) 0.06 Hz/60 Hz (0 to ±5 V/11 bits for terminal 1) | |
| | Frequency accuracy | Analog input | Within ±0.2% of the max. output frequency (25°C ±10°C) | |
| | | Digital input | Within 0.01% of the set output frequency | |
| | Voltage/frequency characteristics | | Base frequency can be set from 0 to 590 Hz. Constant-torque/variable-torque pattern or adjustable 5 points V/F can be selected. | |
| | Starting torque | Induction motor | 120% 0.5 Hz (Advanced magnetic flux vector control) | |
| | | IPM motor | 50% | |
| | Torque boost | | Manual torque boost | |
| | Acceleration/deceleration time setting | | 0 to 3600 s (acceleration and deceleration can be set individually), linear or S-pattern acceleration/deceleration mode, backlash countermeasures acceleration/deceleration can be selected. | |
| | DC injection brake (induction motor) | | Operation frequency (0 to 120 Hz), operation time (0 to 10 s), operation voltage (0 to 30%) variable | |
| Stall prevention operation level | | Activation range of stall prevention operation (0 to 150%). Whether to use the stall prevention or not can be selected. (V/F control, Advanced magnetic flux vector control) | | |
| Operation specifications | Frequency setting signal | Analog input | Terminals 2 and 4: 0 to 10 V, 0 to 5 V, 4 to 20 mA (0 to 20 mA) are available. Terminal 1: -10 to +10 V, -5 to 5 V are available. | |
| | | Digital input | Input using the setting dial of the operation panel or the parameter unit Four-digit BCD or 16-bit binary (when used with option FR-A8AX) | |
| | Start signal | | Forward and reverse rotation or start signal automatic self-holding input (3-wire input) can be selected. | |
| | Input signals (twelve terminals) | | Low-speed operation command, Middle-speed operation command, High-speed operation command, Second function selection, Terminal 4 input selection, Jog operation selection, Output stop, Start self-holding selection, Forward rotation command, Reverse rotation command, Inverter reset The input signal can be changed using Pr.178 to Pr.189 (input terminal function selection) . | |
| | Pulse train input | | 100k pulses/s | |
| | Operational functions | | Maximum and minimum frequency settings, multi-speed operation, acceleration/deceleration pattern, thermal protection, DC injection brake, starting frequency, JOG operation, output stop (MRS), stall prevention, regeneration avoidance, increased magnetic excitation deceleration, DC feeding, frequency jump, rotation display, automatic restart after instantaneous power failure, electronic bypass sequence, remote setting, retry function, carrier frequency selection, fast-response current limit, forward/reverse rotation prevention, operation mode selection, slip compensation, speed smoothing control, traverse, auto tuning, applied motor selection, RS-485 communication, PID control, PID pre-charge function, cooling fan operation selection, stop selection (deceleration stop/coasting), power-failure deceleration stop function, PLC function, life diagnosis, maintenance timer, current average monitor, multiple rating, test run, 24 V power supply input for control circuit, safety stop function, self power management, BACnet communication, PID gain tuning, cleaning, load characteristics storage, emergency drive | |
| | Output signal | Open collector output (five terminals) | | Inverter running, Up to frequency, Instantaneous power failure/undervoltage, Overload warning, Output frequency detection, Fault |
| | | Relay output (two terminals) | | The output signal can be changed using Pr.190 to Pr.196 (output terminal function selection) . Fault codes of the inverter can be output (4 bits) from the open collector. |
| | | Pulse train output (FM type) | | 50k pulses/s |
| | Indication | For meter | Pulse train output (FM type) | Max. 2.4 kHz: one terminal (output frequency) The monitored item can be changed using Pr.54 FM/CA terminal function selection . |
| Current output (CA type) | | | Max. 20 mADC: one terminal (output current) The monitored item can be changed using Pr.54 FM/CA terminal function selection . | |
| Voltage output | | | Max. 10 VDC: one terminal (output voltage) The monitored item can be changed using Pr.158 AM terminal function selection . | |
| Operation panel (FR-DU08) | Operating status | Output frequency, output current, output voltage, frequency setting value The monitored item can be changed using Pr.52 Operation panel main monitor selection . | | |
| | Fault record | Fault record is displayed when a fault occurs. Past 8 fault records and the conditions immediately before the fault (output voltage/current/frequency/cumulative energization time/year/month/date/time) are saved. | | |
| Protective/warning function | Protective function | | Overcurrent trip during acceleration, Overcurrent trip during constant speed, Overcurrent trip during deceleration or stop, Regenerative overvoltage trip during acceleration, Regenerative overvoltage trip during constant speed, Regenerative overvoltage trip during deceleration or stop, Inverter overload trip (electronic thermal O/L relay function), Motor overload trip (electronic thermal relay function), Heat sink overheat, Instantaneous power failure, Undervoltage, Input phase loss*1, Stall prevention stop, Loss of synchronism detection*1, Upper limit fault detection, Lower limit fault detection, Output side earth (ground) fault overcurrent, Output short circuit, Output phase loss, External thermal relay operation*1, PTC thermistor operation*1, Option fault, Communication option fault, User definition error by the PLC function, Parameter storage device fault (control circuit board), Parameter storage device fault (main circuit board), PU disconnection, Retry count excess*1, CPU fault, Operation panel power supply short circuit/RS-485 terminals power supply short circuit, 24 VDC power fault, Abnormal output current detection*1, Inrush current limit circuit fault, Communication fault (inverter), Analog input fault, USB communication fault, Safety circuit fault, Abnormal internal temperature, Internal circuit fault, Overspeed occurrence*1, 4 mA input fault*1, Pre-charge fault*1, PID signal fault*1, Internal storage device fault | |
| | Warning function | | Operation panel lock*1, Password locked*1, Parameter write error, Copy operation error, Stall prevention (overcurrent), Stall prevention (overvoltage), Electronic thermal relay function pre-alarm, PU stop, Continuous operation during communication fault, Parameter copy, Safety stop, Maintenance timer 1 to 3*1, USB host error, Load fault warning, Emergency drive in operation, Fan alarm, Internal-circulation fan alarm, 24 V external power supply operation | |

Common specifications

| | | |
|--------------------|------------------------------------|--|
| Environment | Surrounding air temperature | -10°C to +40°C (non-freezing) |
| | Surrounding air humidity | With circuit board coating (conforming to IEC60721-3-3:1994 3C2/3S2): 95% RH or less (non-condensing) Without circuit board coating: 90% RH or less (non-condensing) |
| | Storage temperature*2 | -20°C to +65°C |
| | Atmosphere | Indoors (without corrosive gas, flammable gas, oil mist, dust and dirt, etc.) |
| | Altitude/vibration | Maximum 2500 m (for the installation at an altitude above 1,000 m, derate the rated current 3% per 500 m.), 5.9 m/s ² or less at 10 to 55 Hz (directions of X, Y, Z axes) |

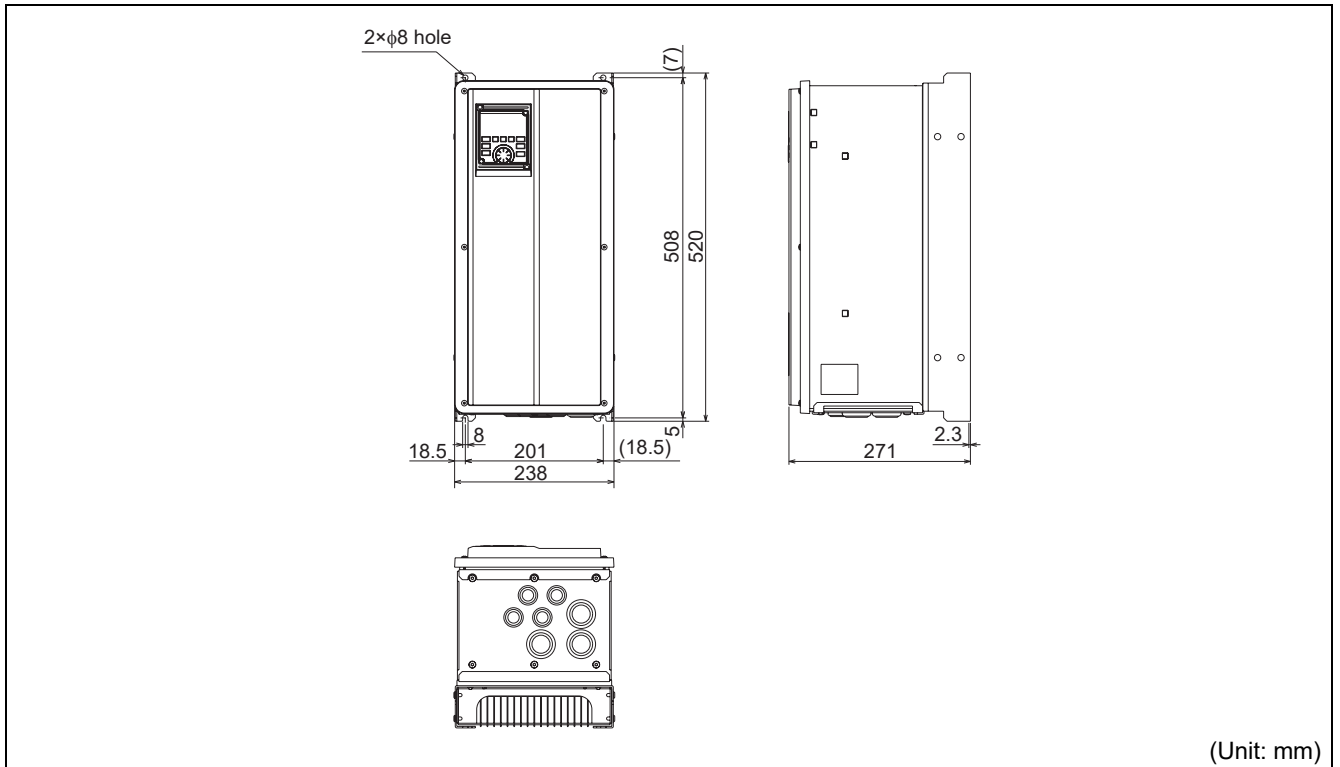
*1 This protective function is not available in the initial status.

*2 Temperature applicable for a short time, e.g. in transit.

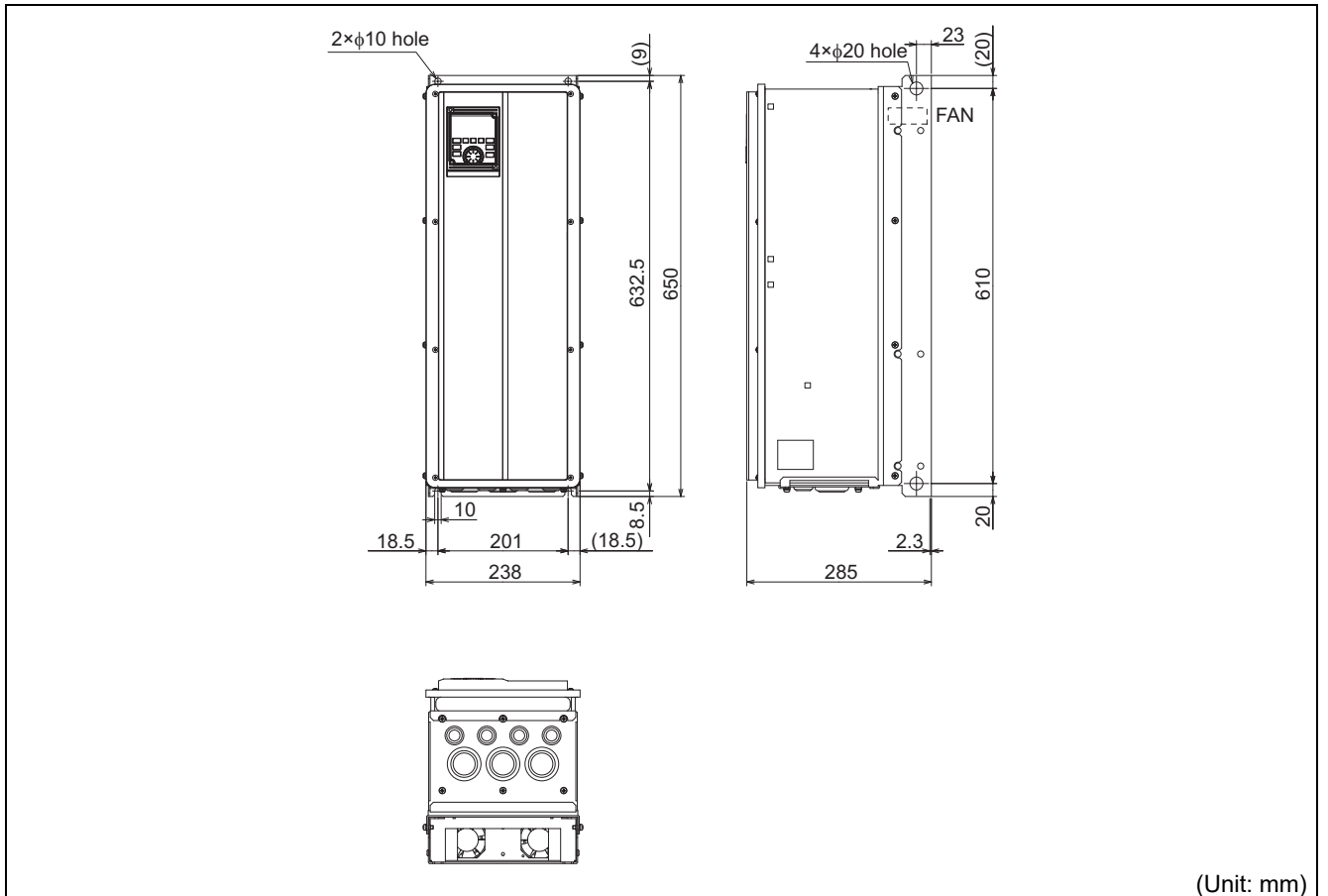
*3 2.9 m/s² or less for the FR-F846-01800(75K) or higher.

6.3 Inverter outline dimension drawings

FR-F846-00023(0.75K) to 00170(7.5K)

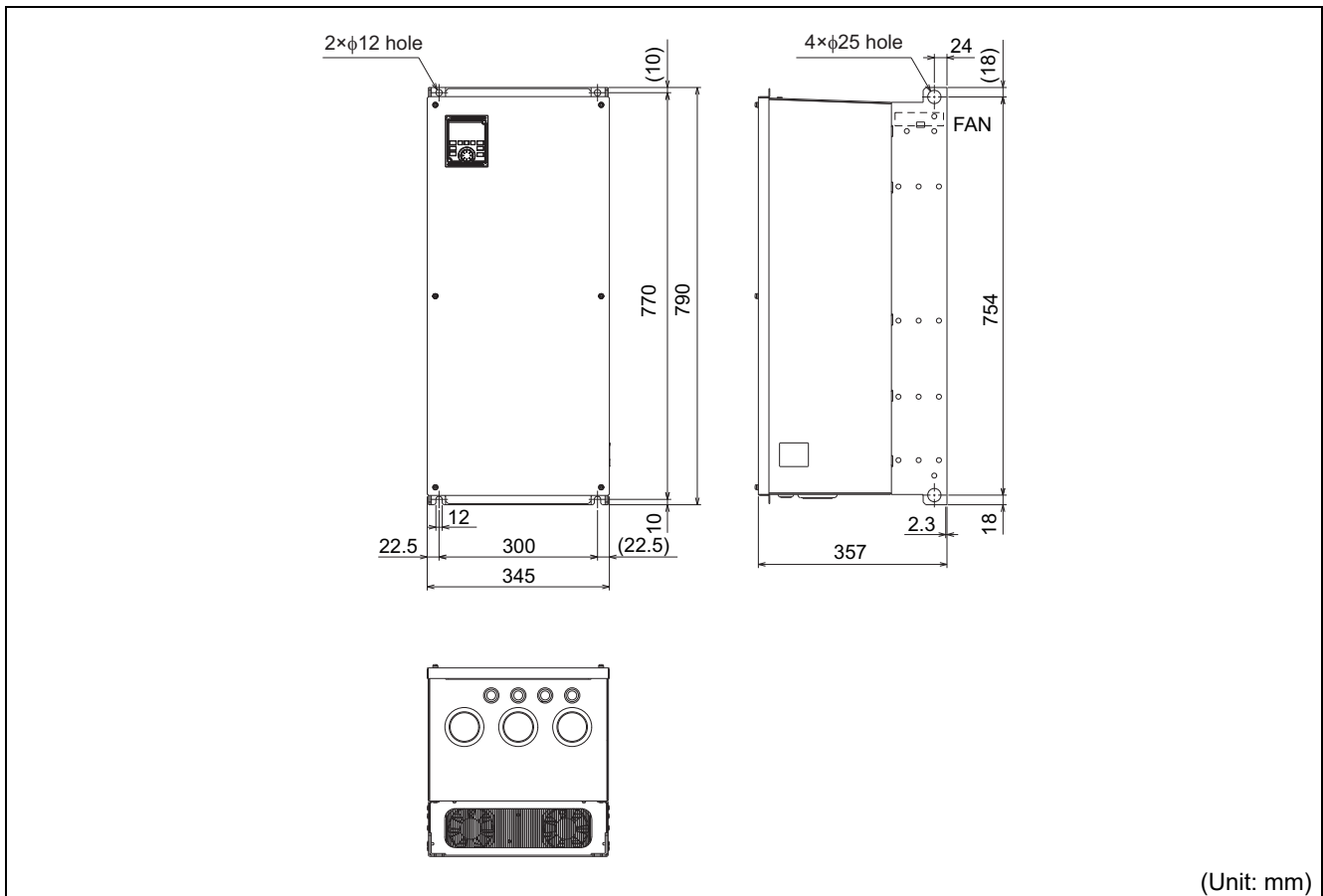


FR-F846-00250(11K) to 00470(22K)

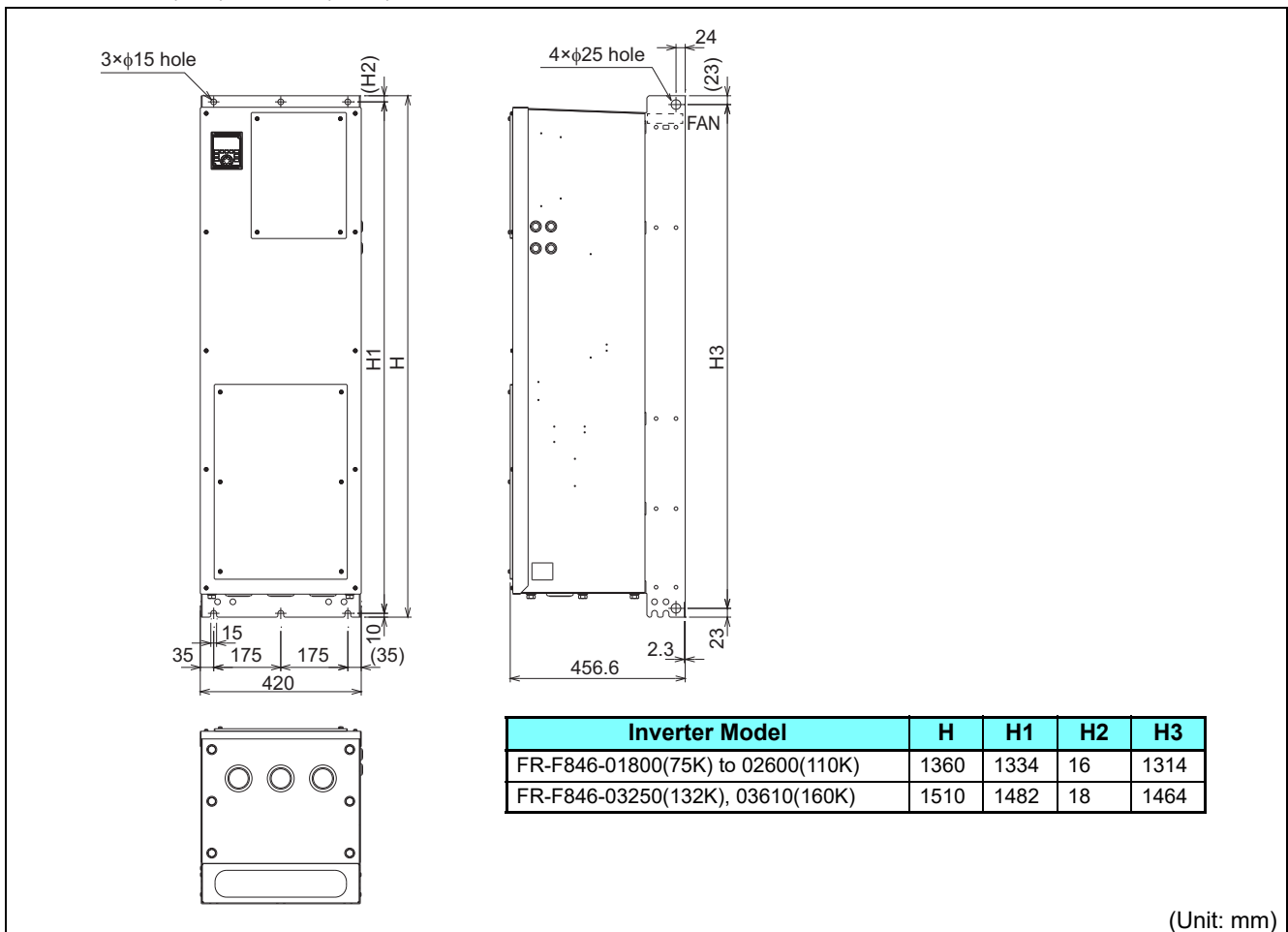


Inverter outline dimension drawings

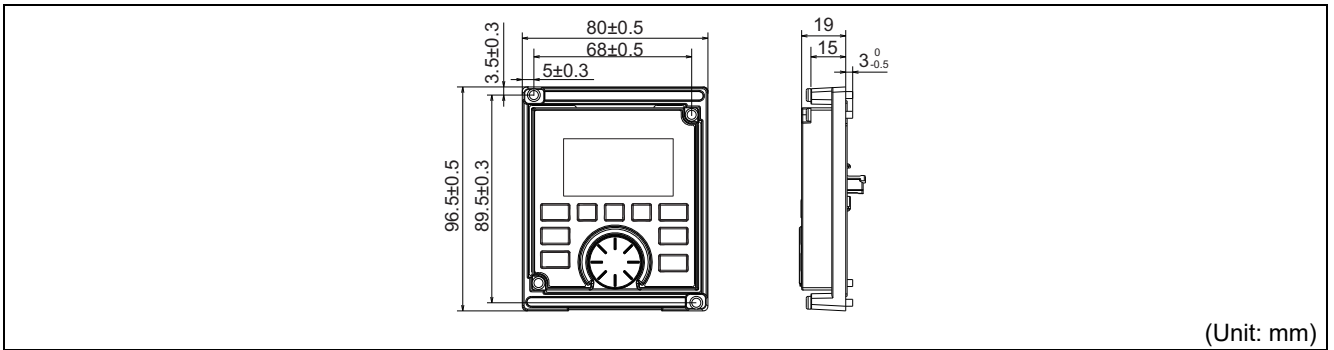
FR-F846-00620(30K) to 01160(55K)



FR-F846-01800(75K) to 03610(160K)



Operation panel (FR-LU08-01)



NOTE

- The FR-LU08-01 cannot be installed on enclosure surfaces.
- For the outline dimensions of the dedicated motors, refer to the FR-F800 Instruction Manual (Detailed).

MEMO





APPENDIX

APPENDIX provides the reference information for use of this product.
Refer to APPENDIX as required.

| | |
|--|------------|
| Appendix 1 Differences and compatibility with the FR-F840..... | 124 |
| Appendix 2 Instructions for compliance with the EU Directives.. | 125 |
| Appendix 3 Instructions for UL and cUL | 129 |
| Appendix 4 Instructions for EAC..... | 131 |
| Appendix 5 Restricted Use of Hazardous Substances in Electronic and Electrical Products | 132 |
| Appendix 6 Referenced Standard (Requirement of Chinese standardized law)..... | 133 |
| Appendix 7 Compliance with the UK certification scheme..... | 133 |
| Appendix 8 Compliance with the EU ErP Directive (Ecodesign Directive) | 134 |

Appendix 1 Differences and compatibility with the FR-F840

| Item | FR-F840 | FR-F846-L2 |
|---|---|---|
| Protective structure | Enclose type (IP20): FR-F840-00620(30K) or lower Open type (IP00): FR-F840-00770(37K) or higher | Dust- and water-proof type (IP55): all capacities |
| Multiple rating (Pr.570 Multiple rating setting) | SLD, LD (initial setting) rating (Setting range "0, 1") | Not applicable(LD rating equivalent) (None (setting unavailable)) |
| Internal fan | None | Provided |
| Protective function | — | Internal-circulation fan alarm (FN2), Abnormal internal temperature (E.IAH) provided |
| Pr.30 Regenerative function selection | Setting range "0 to 2, 10, 11, 20, 21, 100 to 102, 110, 111, 120, 121" | Setting range "0, 2, 10, 20, 100, 102, 110, 120" |
| Pr.71 Applied motor | Setting range "0 to 6, 13 to 16, 20, 23, 24, 40, 43, 44, 50, 53, 54, 70, 73, 74, 210, 213, 214, 240, 243, 244, 8090, 8093, 8094, 9090, 9093, 9094" | Setting range "0 to 6, 13 to 16, 20, 23, 24, 40, 43, 44, 50, 53, 54, 70, 73, 74, 8090, 8093, 8094, 9090, 9093, 9094" |
| Pr.255 Life alarm status display | Setting range (reading only) "0 to 15" | Setting range (reading only) "0 to 31" |
| Pr.998 PM parameter initialization | Setting range "0, 12, 14, 112, 114, 8009, 8109, 9009, 9109" | Setting range "0, 8009, 8109, 9009, 9109" |
| DC reactor | Option | Built-in |
| Operation panel | FR-DU08 • Display type: LED • Operation mode switching key: PU/EXT key  • Protective structure: IP40 (except for the PU connector section) | FR-LU08-01 • Display type: LCD • Operation mode switching key: HAND/AUTO key  • Protective structure: IP55 (except for the PU connector section) |

Appendix 2 Instructions for compliance with the EU Directives

The EU Directives are issued to standardize different national regulations of the EU Member States and to facilitate free movement of the equipment, whose safety is ensured, in the EU territory.

Since 1996, compliance with the EMC Directive that is one of the EU Directives has been legally required. Since 1997, compliance with the Low Voltage Directive, another EU Directive, has been also legally required. When a manufacturer confirms its equipment to be compliant with the EMC Directive and the Low Voltage Directive, the manufacturer must declare the conformity and affix the CE marking.

- The authorized representative in the EU
The authorized representative in the EU is shown below.
Name: Mitsubishi Electric Europe B.V.
Address: Mitsubishi-Electric-Platz 1, 40882 Ratingen, Germany

◆ EMC Directive

We declare that this inverter conforms with the EMC Directive and affix the CE marking on the inverter.

- EMC Directive: 2014/30/EU
- Standard: EN 61800-3:2004+A1:2012 (First environment / PDS Category C2, Second environment / PDS Category C3*¹)
*1 The applicable standard depends on the type of the built-in EMC filter.
- Please ensure you chose the right inverter for the intended environment.
- The installer shall provide a guide for installation and use, including recommended mitigation devices.

Note:

First environment

Environment including buildings/facilities which are directly connected to a low voltage main supply which also supplies residential buildings.

Directly connected means that there is no intermediate transformer between these buildings.

Second environment

Environment including all buildings/facilities which are not directly connected to a low voltage main supply which also supplies residential buildings.

◆ Note

Set the EMC filter valid and install the inverter and perform wiring according to the following instructions.

- *1 This inverter is equipped with an EMC filter. Enable the EMC filter. (For details, refer to [page 70](#).)
- *2 Connect the inverter to an earthed power supply.
- *3 Install a motor and a control cable written in the EMC Installation Manual (BCN-A21041-204) and Technical News (MF-S-143) according to the instruction.
- *4 Confirm that the final application conforms with the required EMC standard.
- *5 The FR-F846 models are equipped with a harmonic suppression DC-choke. If the inverter has an input current of 16 A or less, limits for harmonic current emissions of EN/IEC61000-3-2 shall apply. However, for professional equipment with a total rated power of 1 kW or higher, the limits for harmonic current emissions of EN/IEC61000-3-2 shall not apply. If the equipment input current is more than 16 A and does not exceed 75 A, the equipment complies with EN/IEC61000-3-12 provided that the short-circuit power Ssc is greater than or equal to the value provided in the table below at the interface point between the user's supply and the public system. It is the responsibility of the installer or user of the equipment to ensure, by consultation with the distribution network operator if necessary, that the equipment is connected only to a supply with a short-circuit power Ssc greater than or equal to the value mentioned in the table below. If the equipment input current is more than 75 A and the power supply capacity is 100 kVA or more, limits for the harmonic current emissions of IEC61000-3-4 shall apply. However, the equipment complies with IEC61000-3-4 provided that the short-circuit ratio Rsce is greater than or equal to the value provided in the table below.

| Inverter model | Standard | Ssc | Rsce |
|----------------------|------------------|--------------|------|
| FR-F846-00250(11K) | EN/IEC61000-3-12 | 3059 kVA | ≥120 |
| FR-F846-00310(15K) | | 3858 kVA | |
| FR-F846-00380(18.5K) | | 4656 kVA | |
| FR-F846-00470(22K) | | 5720 kVA | |
| FR-F846-00620(30K) | | 7582 kVA | |
| FR-F846-00770(37K) | | 9312 kVA | |
| FR-F846-00930(45K) | | 11307 kVA | |
| FR-F846-01160(55K) | | 14100 kVA | |
| FR-F846-01800(75K) | | 19155 kVA | |
| FR-F846-02160(90K) | | IEC61000-3-4 | |
| FR-F846-02600(110K) | — | | |
| FR-F846-03250(132K) | — | | |
| FR-F846-03610(160K) | — | | |

- *6 Limitations of voltage variations, voltage fluctuations, and flickering for the low-voltage power supply systems are specified as shown below.

| Inverter model | Standard | Remarks |
|----------------------|------------------|---|
| FR-F846-00023(0.75K) | EN/IEC61000-3-3 | |
| FR-F846-00038(1.5K) | | |
| FR-F846-00052(2.2K) | | |
| FR-F846-00083(3.7K) | | |
| FR-F846-00126(5.5K) | | |
| FR-F846-00170(7.5K) | | |
| FR-F846-00250(11K) | | |
| FR-F846-00310(15K) | | |
| FR-F846-00380(18.5K) | | |
| FR-F846-00470(22K) | | |
| FR-F846-00620(30K) | EN/IEC61000-3-11 | The equipment is intended for use only in premises having a supply current capacity ≥100 A per phase. |
| FR-F846-00770(37K) | | |
| FR-F846-00930(45K) | — | |
| FR-F846-01160(55K) | — | |
| FR-F846-01800(75K) | — | |
| FR-F846-02160(90K) | — | |
| FR-F846-02600(110K) | — | |
| FR-F846-03250(132K) | — | |
| FR-F846-03610(160K) | — | |

◆ Low Voltage Directive

We declare that our inverters are compliant to the EU RoHS Directive (2011/65/EU) and affix the CE marking on the inverters.

◆ Outline of instructions

- Do not use an earth leakage current breaker as an electric shock protector without connecting the equipment to the earth. Connect the equipment to the earth securely.
- Wire the earth terminal independently. (Do not connect two or more cables to one terminal.)
- Use the cable sizes on [page 32](#) under the following conditions.
 - Ambient temperature: 40°C (104°F) maximum
 If conditions are different from above, select appropriate wire according to EN 60204-1 or IEC 60364-5-52.
- Use a tinned (plating should not include zinc) crimping terminal to connect the earth (ground) cable. When tightening the screw, be careful not to damage the threads.

For use as a product compliant with the Low Voltage Directive, use PVC cable whose size is indicated on [page 32](#).
- Use the molded case circuit breaker and magnetic contactor which conform to the EN or IEC Standard.
- DC current may flow from the inverter to a protective earth (ground) conductor. When using a residual current device (RDC) or residual current monitor (RDM), connect a type B RCD or RCM to the power supply side.
- Use the inverter under the conditions of overvoltage category II (usable regardless of the earth (ground) condition of the power supply), overvoltage category III (usable with the earthed-neutral system power supply, 400 V class only) and pollution degree 2 or lower specified in IEC60664.
- On the input and output of the inverter and the converter unit, use cables of the size and type set forth in EN 60204-1 or IEC 60364-5-52.
- The operating capacity of the relay outputs (terminal symbols A1, B1, C1, A2, B2, C2) should be 30VDC, 0.3A. (Relay output has basic isolation from the inverter internal circuit.)
- Control circuit terminals on [page 23](#) are safely isolated from the main circuit.
- Environment (For the detail, refer to [page 20](#).)

| | During Operation | In Storage | During Transportation |
|---------------------|----------------------------|-----------------------------|-----------------------------|
| Ambient temperature | -10 to +40°C (14 to 104°F) | -20 to +65°C (-4 to +149°F) | -20 to +65°C (-4 to +149°F) |
| Ambient humidity | 95% RH or less | 95% RH or less | 95% RH or less |
| Maximum altitude | 2500 m*1 | 2500 m | 10000 m |

*1 For the installation at an altitude above 1000 m, consider a 3% reduction in the rated current per 500 m increase in altitude.

- Install the inverter at a place where ultraviolet radiation is not applied directly.

◆ Branch circuit protection

Class T, Class J, Class CC fuse, or UL 489 Molded Case Circuit Breaker (MCCB) must be provided.

(Use a product which conforms to the EN or IEC Standard.)

| FR-F846-□ | 00023 (0.75K) | 00038 (1.5K) | 00052 (2.2K) | 00083 (3.7K) | 00126 (5.5K) | 00170 (7.5K) | 00250 (11K) | 00310 (15K) | 00380 (18.5K) | 00470 (22K) |
|---|------------------|-----------------|-----------------|-----------------|-----------------|-----------------|----------------|----------------|------------------|----------------|
| Rated fuse voltage (V) | 500 V or more | | | | | | | | | |
| Fuse allowable rating (A) | 6 | 10 | 10 | 15 | 25 | 35 | 60 | 70 | 90 | 100 |
| Molded case circuit breaker (MCCB) Maximum allowable rating (A) *1 | 15 | 15 | 15 | 20 | 30 | 40 | 60 | 70 | 90 | 100 |

| FR-F846-□ | 00620 (30K) | 00770 (37K) | 00930 (45K) | 01160 (55K) | 01800 (75K) | 02160 (90K) | 02600 (110K) | 03250 (132K) | 03610 (160K) |
|---|----------------|----------------|----------------|----------------|----------------|----------------|-----------------|-----------------|-----------------|
| Rated fuse voltage (V) | 500 V or more | | | | | | | | |
| Fuse allowable rating (A) | 125 | 150 | 175 | 200 | 250 | 300 | 350 | 400 | 500 |
| Molded case circuit breaker (MCCB) Maximum allowable rating (A) *1 | 150 | 175 | 225 | 250 | 450 | 450 | 500 | — | — |

*1 Maximum allowable rating by US National Electrical Code. Exact size must be chosen for each installation.

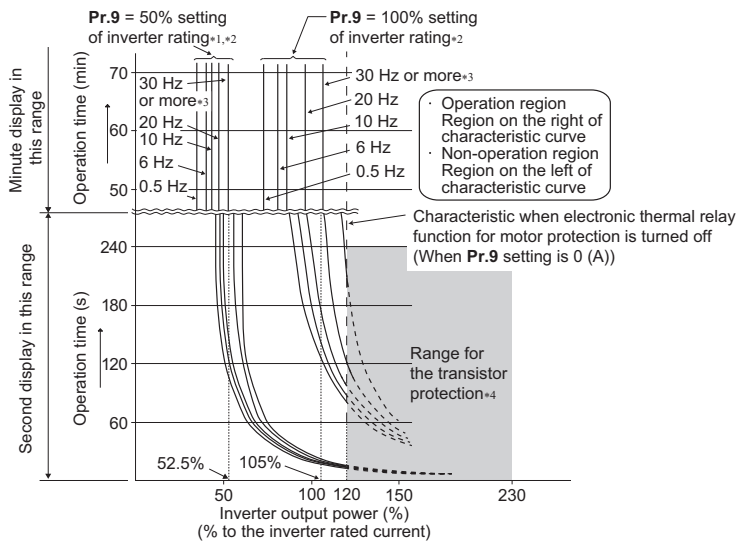
◆ Short circuit ratings

- 400 V class
- Suitable For Use in A Circuit Capable of Delivering Not More Than 100 kA rms Symmetrical Amperes, 500 V Maximum.

◆ Motor overload protection

When using the electronic thermal relay function as motor overload protection, set the rated motor current in **Pr.9 Electronic thermal O/L relay**.

Operational characteristic of the electronic thermal relay function



This function detects the overload of the motor, stops the operation of the inverter's output transistor, and stops the output. (The operation characteristic is shown on the left.)

- When using the Mitsubishi Electric constant-torque motor
- (1) Set one of "1", "13" to "16", "50", "53", "54" in **Pr.71**. (This provides a 100% continuous torque characteristic in the low-speed range.)
- (2) Set the rated current of the motor in **Pr.9**.

- *1 When a value 50% of the inverter rated output current (current value) is set in **Pr.9**
- *2 The % value denotes the percentage to the inverter rated current. It is not the percentage to the rated motor current.
- *3 When you set the electronic thermal relay function dedicated to the Mitsubishi Electric constant-torque motor, this characteristic curve applies to operation at 6 Hz or higher.
- *4 Transistor protection is activated depending on the temperature of the heat sink. The protection may be activated even with less than 120% depending on the operating conditions.

NOTE

- The internal accumulated heat value of the electronic thermal relay function is reset by inverter power reset and reset signal input. Avoid unnecessary reset and power-OFF.
- When multiple motors are driven with a single inverter or when a multi-pole motor or a special motor is driven, install an external thermal relay (OCR) between the inverter and motors. Note that the current indicated on the motor rating plate is affected by the line-to-line leakage current (refer to [page 66](#)) when selecting the setting for an external thermal relay.
- The cooling effect of the motor drops during low-speed operation. Use a thermal protector or a motor with built-in thermistor.
- When the difference between the inverter and motor capacities is large and the setting is small, the protective characteristics of the electronic thermal relay function will be deteriorated. In this case, use an external thermal relay.
- A special motor cannot be protected by the electronic thermal relay function. Use an external thermal relay.
- Motor over temperature sensing is not provided by the drive.
- Electronic thermal memory retention function is not provided by the drive.

◆ EU RoHS Directive

We have declared that our inverters are compliant to the EU RoHS Directive (2011/65/EU) and affix the CE marking on the inverters.

Appendix 3 Instructions for UL and cUL

(Standard to comply with: UL 508C, CSA C22.2 No.274-13)

◆ General precaution

CAUTION - Risk of Electric Shock -

The bus capacitor discharge time is 10 minutes. Before starting wiring or inspection, switch power off, wait for more than 10 minutes.

ATTENTION - Risque de choc électrique -

La durée de décharge du condensateur de bus est de 10 minutes. Avant de commencer le câblage ou l'inspection, mettez l'appareil hors tension et attendez plus de 10 minutes.

◆ Installation

The below types of inverter have been approved as products for a UL type12 enclosure that is suitable for Installation in a Compartment Handling Conditioned Air (Plenum).

Install the inverter so that the ambient temperature, humidity and ambience of the inverter will satisfy the specifications. (Refer to [page 20](#).)

The drive must be installed in clean air according to enclosure classification.

Cooling air must be clean, free from corrosive materials and electrically conductive dust regarding the UL Type 12 enclosure. This enclosure provides protection from airborne dust and light sprays or splashing water from all directions.

◆ Branch circuit protection

For installation in the United States, Class T, Class J, or Class CC fuse, or UL 489 Molded Case Circuit Breaker (MCCB) must be provided, in accordance with the National Electrical Code and any applicable local codes.

For installation in Canada, Class T, Class J, or Class CC fuse, or UL 489 Molded Case Circuit Breaker (MCCB) must be provided, in accordance with the Canadian Electrical Code and any applicable local codes.

| FR-F846-□ | 00023 (0.75K) | 00038 (1.5K) | 00052 (2.2K) | 00083 (3.7K) | 00126 (5.5K) | 00170 (7.5K) | 00250 (11K) | 00310 (15K) | 00380 (18.5K) | 00470 (22K) |
|---|------------------|-----------------|-----------------|-----------------|-----------------|-----------------|----------------|----------------|------------------|----------------|
| Rated fuse voltage (V) | 500 V or more | | | | | | | | | |
| Fuse allowable rating (A) | 6 | 10 | 10 | 15 | 25 | 35 | 60 | 70 | 90 | 100 |
| Molded case circuit breaker (MCCB) Maximum allowable rating (A) *1*2 | 15 | 15 | 15 | 20 | 30 | 40 | 60 | 70 | 90 | 100 |

| FR-F846-□ | 00620 (30K) | 00770 (37K) | 00930 (45K) | 01160 (55K) | 01800 (75K) | 02160 (90K) | 02600 (110K) | 03250 (132K) | 03610 (160K) |
|---|----------------|----------------|----------------|----------------|----------------|----------------|-----------------|-----------------|-----------------|
| Rated fuse voltage (V) | 500 V or more | | | | | | | | |
| Fuse allowable rating (A) | 125 | 150 | 175 | 200 | 250 | 300 | 350 | 400 | 500 |
| Molded case circuit breaker (MCCB) Maximum allowable rating (A) *1*2 | 150 | 175 | 225 | 250 | 450 | 450 | 500 | — | — |

*1 Maximum allowable rating by the US National Electrical Code. Exact size must be chosen for each installation.

*2 Select an appropriate molded case circuit breaker with a rating that is suitable for the size of the cable.

◆ Wiring to the power supply and the motor

Refer to the National Electrical Code (Article 310) regarding the allowable current of the cable. Select the cable size for 125% of the rated current according to the National Electrical Code (Article 430).

For wiring the input (R/L1, S/L2, T/L3) and output (U, V, W) terminals of the inverter, use the UL listed copper, stranded wires (rated at 75°C) and round crimping terminals. Crimp the crimping terminals with the crimping tool recommended by the terminal maker.

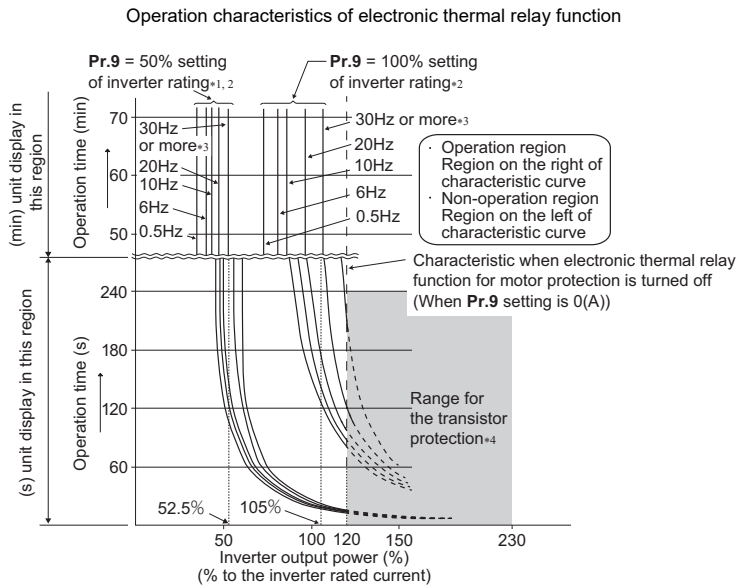
◆ Short circuit ratings

- 400 V class

Suitable For Use in A Circuit Capable of Delivering Not More Than 100 kA rms Symmetrical Amperes, 500 V Maximum.

◆ Motor overload protection

When using the electronic thermal relay function as motor overload protection, set the rated motor current in **Pr.9 Electronic thermal O/L relay**.



This function detects the overload (overheat) of the motor, stops the operation of the inverter's output transistor, and stops the output. (The operation characteristic is shown on the left.)

- When using the Mitsubishi Electric constant-torque motor

- (1) Set one of "1", "13" to "16", "50", "53", "54" in **Pr.71**. (This provides a 100% continuous torque characteristic in the low-speed range.)
- (2) Set the rated current of the motor in **Pr.9**.

- *1 When a value 50% of the inverter rated output current (current value) is set in **Pr.9**
- *2 The % value denotes the percentage to the inverter rated current. It is not the percentage to the rated motor current.
- *3 When you set the electronic thermal relay function dedicated to the Mitsubishi Electric constant-torque motor, this characteristic curve applies to operation at 6 Hz or higher.
- *4 Transistor protection is activated depending on the temperature of the heat sink. The protection may be activated even with less than 120% depending on the operating conditions.

NOTE

- The internal accumulated heat value of the electronic thermal relay function is reset by inverter power reset and reset signal input. Avoid unnecessary reset and power-OFF.
- When multiple motors are driven with a single inverter or when a multi-pole motor or a special motor is driven, install an external thermal relay (OCR) between the inverter and motors. Note that the current indicated on the motor rating plate is affected by the line-to-line leakage current (refer to [page 66](#)) when selecting the setting for an external thermal relay.
- The cooling effect of the motor drops during low-speed operation. Use a thermal protector or a motor with built-in thermistor.
- When the difference between the inverter and motor capacities is large and the setting is small, the protective characteristics of the electronic thermal relay function will be deteriorated. In this case, use an external thermal relay.
- A special motor cannot be protected by the electronic thermal relay function. Use an external thermal relay.
- Motor over temperature sensing is not provided by the drive.

Appendix 4 Instructions for EAC



The product certified in compliance with the Eurasian Conformity has the EAC marking.

Note: EAC marking

In 2010, three countries (Russia, Belarus, and Kazakhstan) established a Customs Union for the purposes of revitalizing the economy by forming a large economic bloc by abolishing or reducing tariffs and unifying regulatory procedures for the handling of articles.

Products to be distributed over these three countries of the Customs Union must comply with the Customs Union Technical Regulations (CU-TR), and the EAC marking must be affixed to the products.

For information on the country of origin, manufacture year and month, and authorized sales representative (importer) in the CU area of this product, refer to the following:

- Country of origin indication

Check the rating plate of the product. (Refer to [page 10](#).)

Example: MADE IN JAPAN

- Manufactured year and month

Check the SERIAL number indicated on the rating plate of the product. (Refer to [page 10](#).)

- Authorized sales representative (importer) in the CU area

The authorized sales representative (importer) in the CU area is shown below.

Name: Mitsubishi Electric (Russia) LLC

Address: 52, bld 1 Kosmodamianskaya Nab 115054, Moscow, Russia

Phone: +7 (495) 721-2070

Fax: +7 (495) 721-2071

Appendix 5 Restricted Use of Hazardous Substances in Electronic and Electrical Products

The mark of restricted use of hazardous substances in electronic and electrical products is applied to the product as follows based on the “Management Methods for the Restriction of the Use of Hazardous Substances in Electrical and Electronic Products” of the People's Republic of China.

电器电子产品有害物质限制使用标识要求



本产品中所含有的有害物质的名称、含量、含有部件如下表所示。

- 产品中所含有害物质的名称及含量

| 部件名称 *2 | 有害物质 *1 | | | | | |
|--|---------|--------|--------|---------------|------------|--------------|
| | 铅 (Pb) | 汞 (Hg) | 镉 (Cd) | 六价铬 (Cr (VI)) | 多溴联苯 (PBB) | 多溴二苯醚 (PBDE) |
| 电路板组件 (包括印刷电路板及其构成的零部件, 如电阻、电容、集成电路、连接器等)、电子部件 | × | ○ | × | ○ | ○ | ○ |
| 金属壳体、金属部件 | × | ○ | ○ | ○ | ○ | ○ |
| 树脂壳体、树脂部件 | ○ | ○ | ○ | ○ | ○ | ○ |
| 螺丝、电线 | ○ | ○ | ○ | ○ | ○ | ○ |

上表依据 SJ/T11364 的规定编制。

○：表示该有害物质在该部件所有均质材料中的含量均在 GB/T26572 规定的限量要求以下。

×：表示该有害物质在该部件的至少一种均质材料中的含量超出 GB/T26572 规定的限量要求。

*1 即使表中记载为 ×，根据产品型号，也可能会有有害物质的含量为限制值以下的情况。

*2 根据产品型号，一部分部件可能不包含在产品中。

Appendix 6 Referenced Standard (Requirement of Chinese standardized law)

This Product is designed and manufactured accordance with following Chinese standards.

Machinery safety* : GB/T 16855.1
GB/T 12668.502
GB 28526
GB/T 12668.3

Electrical safety : GB/T 12668.501

EMC : GB/T 12668.3

* Only the safety stop function model meets the listed standards.

Appendix 7 Compliance with the UK certification scheme

We declare that this product conforms with the related technical requirements under UK legislation, and affix the UKCA (UK Conformity Assessed) marking on the product.

Approval conditions are the same as those for the EU Directives.(Refer to [page 125](#))



UKCA marking:

The UKCA marking is used for products sold in the markets of Great Britain (England, Wales, and Scotland) from January 1, 2021 after the departure of the UK from the EU on January 31, 2020.

Appendix 8 Compliance with the EU ErP Directive (Ecodesign Directive)

The following table shows the power loss data according to Ecodesign Directive.

The regulation covers 3-phase variable speed drives from 0.12 kW ≤ P_n ≤ 1 000 kW.

◆ LD rated

| Model name | Rated Apparent power (kVA) | Stand by loss (W) | load point 1 (90;100) (%) | load point 2 (50;100) (%) | load point 3 (0;100) (%) | load point 4 (90;50) (%) | load point 5 (50;50) (%) | load point 6 (0;50) (%) | load point 7 (50;25) (%) | load point 8 (0;25) (%) | IE class |
|----------------------------|----------------------------|-------------------|---------------------------|---------------------------|--------------------------|--------------------------|--------------------------|-------------------------|--------------------------|-------------------------|----------|
| FR-F846-00023 (0.75K)(-**) | 1.6 | 19.0 | 3.3 | 3.3 | 3.3 | 2.9 | 2.9 | 2.9 | 2.9 | 2.9 | IE2 |
| FR-F846-00038 (1.5K)(-**) | 2.7 | 19.0 | 2.6 | 2.6 | 2.6 | 1.9 | 1.8 | 1.8 | 1.6 | 1.6 | IE2 |
| FR-F846-00052 (2.2K)(-**) | 3.7 | 19.0 | 2.1 | 2.1 | 2.1 | 1.7 | 1.7 | 1.7 | 1.5 | 1.5 | IE2 |
| FR-F846-00083 (3.7K)(-**) | 5.8 | 22.0 | 2.1 | 2.1 | 2.1 | 1.6 | 1.6 | 1.6 | 1.4 | 1.4 | IE2 |
| FR-F846-00126 (5.5K)(-**) | 8.8 | 22.0 | 2.1 | 2.1 | 2.1 | 1.4 | 1.4 | 1.4 | 1.2 | 1.2 | IE2 |
| FR-F846-00170 (7.5K)(-**) | 12 | 27.0 | 1.8 | 1.8 | 1.8 | 1.3 | 1.3 | 1.3 | 1.1 | 1.1 | IE2 |
| FR-F846-00250 (11K)(-**) | 18 | 27.0 | 1.9 | 1.9 | 1.9 | 1.0 | 1.0 | 1.0 | 0.8 | 0.8 | IE2 |
| FR-F846-00310 (15K)(-**) | 22 | 28.5 | 1.9 | 1.9 | 1.9 | 1.0 | 1.0 | 1.0 | 0.8 | 0.8 | IE2 |
| FR-F846-00380 (18.5K)(-**) | 27 | 28.5 | 1.8 | 1.8 | 1.8 | 1.0 | 1.0 | 1.0 | 0.8 | 0.8 | IE2 |
| FR-F846-00470 (22K)(-**) | 33 | 28.5 | 1.6 | 1.6 | 1.6 | 0.9 | 0.9 | 0.9 | 0.7 | 0.7 | IE2 |
| FR-F846-00620 (30K)(-**) | 43 | 34.5 | 1.6 | 1.6 | 1.6 | 0.9 | 0.9 | 0.9 | 0.6 | 0.7 | IE2 |
| FR-F846-00770 (37K)(-**) | 53 | 40.3 | 1.6 | 1.6 | 1.6 | 0.9 | 0.9 | 0.9 | 0.7 | 0.7 | IE2 |
| FR-F846-00930 (45K)(-**) | 65 | 49.7 | 1.7 | 1.7 | 1.7 | 1.0 | 0.9 | 1.0 | 0.7 | 0.7 | IE2 |
| FR-F846-01160 (55K)(-**) | 81 | 49.7 | 1.7 | 1.7 | 1.7 | 0.9 | 0.9 | 0.9 | 0.7 | 0.7 | IE2 |
| FR-F846-01800 (75K)(-**) | 110 | 49.7 | 1.7 | 1.7 | 1.7 | 0.9 | 0.9 | 0.9 | 0.6 | 0.6 | IE2 |
| FR-F846-02160 (90K)(-**) | 137 | 70.9 | 1.8 | 1.8 | 1.6 | 0.9 | 0.9 | 0.8 | 0.6 | 0.5 | IE2 |
| FR-F846-02600 (110K)(-**) | 165 | 70.9 | 1.8 | 1.8 | 1.7 | 0.9 | 0.9 | 0.8 | 0.6 | 0.5 | IE2 |
| FR-F846-03250 (132K)(-**) | 198 | 99.1 | 1.4 | 1.4 | 1.4 | 0.7 | 0.7 | 0.7 | 0.5 | 0.5 | IE2 |
| FR-F846-03610 (160K)(-**) | 248 | 99.1 | 1.5 | 1.5 | 1.5 | 0.8 | 0.8 | 0.8 | 0.5 | 0.5 | IE2 |

NOTE

** indicates alpha numeric combination which means an inverter type such as 1 and 2.

MEMO

WARRANTY

When using this product, make sure to understand the warranty described below.

1. Warranty period and coverage

We will repair any failure or defect (hereinafter referred to as "failure") in our FA equipment (hereinafter referred to as the "Product") arisen during warranty period at no charge due to causes for which we are responsible through the distributor from which you purchased the Product or our service provider. However, we will charge the actual cost of dispatching our engineer for an on-site repair work on request by customer in Japan or overseas countries. We are not responsible for any on-site readjustment and/or trial run that may be required after a defective unit are repaired or replaced.

[Term]

The term of warranty for Product is twelve months after your purchase or delivery of the Product to a place designated by you or eighteen months from the date of manufacture whichever comes first ("Warranty Period"). Warranty period for repaired Product cannot exceed beyond the original warranty period before any repair work.

[Limitations]

- (1) You are requested to conduct an initial failure diagnosis by yourself, as a general rule. It can also be carried out by us or our service company upon your request and the actual cost will be charged.
However, it will not be charged if we are responsible for the cause of the failure.
- (2) This limited warranty applies only when the condition, method, environment, etc. of use are in compliance with the terms and conditions and instructions that are set forth in the instruction manual and user manual for the Product and the caution label affixed to the Product.
- (3) Even during the term of warranty, the repair cost will be charged on you in the following cases;
 - a failure caused by your improper storing or handling, carelessness or negligence, etc., and a failure caused by your hardware or software problem
 - a failure caused by any alteration, etc. to the Product made on your side without our approval
 - a failure which may be regarded as avoidable, if your equipment in which the Product is incorporated is equipped with a safety device required by applicable laws and has any function or structure considered to be indispensable according to a common sense in the industry
 - a failure which may be regarded as avoidable if consumable parts designated in the instruction manual, etc. are duly maintained and replaced
 - any replacement of consumable parts (condenser, cooling fan, etc.)
 - a failure caused by external factors such as inevitable accidents, including without limitation fire and abnormal fluctuation of voltage, and acts of God, including without limitation earthquake, lightning and natural disasters
 - a failure caused by using the emergency drive function
 - a failure generated by an unforeseeable cause with a scientific technology that was not available at the time of the shipment of the Product from our company
 - any other failures which we are not responsible for or which you acknowledge we are not responsible for

2. Term of warranty after the stop of production

- (1) We may accept the repair at charge for another seven (7) years after the production of the product is discontinued. The announcement of the stop of production for each model can be seen in our Sales and Service, etc.
- (2) Please note that the Product (including its spare parts) cannot be ordered after its stop of production.

3. Service in overseas

Our regional FA Center in overseas countries will accept the repair work of the Product; however, the terms and conditions of the repair work may differ depending on each FA Center. Please ask your local FA center for details.

4. Exclusion of responsibility for compensation against loss of opportunity, secondary loss, etc.

Regardless of the gratis warranty term, Mitsubishi Electric shall not be liable for compensation to:

- (1) Damages caused by any cause found not to be the responsibility of Mitsubishi Electric.
- (2) Loss in opportunity, lost profits incurred to the user by Failures of Mitsubishi Electric products.
- (3) Special damages and secondary damages whether foreseeable or not, compensation for accidents, and compensation for damages to products other than Mitsubishi Electric products.
- (4) Replacement by the user, maintenance of on-site equipment, start-up test run and other tasks.

5. Change of Product specifications

Specifications listed in our catalogs, manuals or technical documents may be changed without notice.

6. Application and use of the Product

- (1) For the use of our product, its applications should be those that may not result in a serious damage even if any failure or malfunction occurs in product, and a backup or fail-safe function should operate on an external system to product when any failure or malfunction occurs.
- (2) Our product is designed and manufactured as a general purpose product for use at general industries.
Therefore, applications substantially influential on the public interest for such as atomic power plants and other power plants of electric power companies, and also which require a special quality assurance system, including applications for railway companies and government or public offices are not recommended, and we assume no responsibility for any failure caused by these applications when used.
In addition, applications which may be substantially influential to human lives or properties for such as airlines, medical treatments, railway service, incineration and fuel systems, man-operated material handling equipment, entertainment machines, safety machines, etc. are not recommended, and we assume no responsibility for any failure caused by these applications when used.
We will review the acceptability of the abovementioned applications, if you agree not to require a specific quality for a specific application. Please contact us for consultation.

◆ About the enclosed CD-ROM

The enclosed CD-ROM contains PDF copies of the manuals related to this product.

◆ Before using the enclosed CD-ROM

- The copyright and other rights of the enclosed CD-ROM all belong to Mitsubishi Electric Corporation.
- No part of the enclosed CD-ROM may be copied or reproduced without the permission of Mitsubishi Electric Corporation.
- Specifications of the enclosed CD-ROM are subject to change for modification without notice.
- We are not responsible for any damages and lost earnings, etc. from use of the enclosed CD-ROM.
- Trademarks

Microsoft, Windows, and Internet Explorer are either registered trademarks or trademarks of Microsoft Corporation in the United States and/or other countries.

Windows Vista is either registered trademarks or trademark of Microsoft Corporation in the United States and/or other countries.

Adobe and Acrobat Reader are either registered trademarks or trademarks of Adobe Systems Incorporated in the United States and/or other countries.

Intel and Pentium are trademarks of Intel Corporation in the United States and/or other countries.

Any trade names and product names of companies herein are all trademarks or registered trademarks of those respective companies.

- Warranty

We do not provide a warranty against defects in the enclosed CD-ROM and related documents.



- This is a personal computer dedicated CD-ROM. Do not attempt to play it on ordinary audio devices. The loud volume may damage hearing and speakers.

◆ System requirements for the enclosed CD-ROM

- The following system is required to read instruction manuals contained in the enclosed CD-ROM.

| Item | Specifications |
|--------------|--|
| OS | Microsoft® Windows® 10, Windows Vista® 8.1, Windows® 8, Windows® 7, Windows Vista® |
| CPU | Intel® Pentium® or better processor |
| Memory | 128 MB of RAM |
| Hard disk | 90 MB of available hard-disk space |
| CD-ROM drive | Double speed or more (more than quadruple speed is recommended) |
| Monitor | 800×600 dots or more |
| Application | Adobe® Reader® 7.0 or higher Internet Explorer® 6.0 or higher |

◆ Operating method of the enclosed CD-ROM

- How to read instruction manuals

Step 1. Start a personal computer and place the enclosed CD-ROM in the CD-ROM drive.

Step 2. The main window automatically opens by the web browser.

Step 3. Choose your language from a language select menu.

Step 4. Click a manual you want to read in the "INSTRUCTION MANUAL" list.

Step 5. PDF manual you clicked opens.

- Manual opening of the enclosed CD-ROM

Step 1. Start a personal computer and place the enclosed CD-ROM in the CD-ROM drive.

Step 2. Open "index.html" file in the enclosed CD-ROM.

Step 3. The main window opens by the web browser. Follow the instructions from Step 3 of "How to read instruction manuals".

- PDF data of the instruction manual are stored in "MANUAL" folder on the enclosed CD-ROM.

REVISIONS

*The manual number is given on the bottom left of the back cover.

| Revision Date | *Manual Number | Revision |
|---------------|---------------------|---|
| Aug. 2017 | IB(NA)-0600760ENG-A | First edition |
| Nov. 2017 | IB(NA)-0600760ENG-B | Added <ul style="list-style-type: none"> • Safety stop function |
| Mar. 2022 | IB(NA)-0600760ENG-C | Added <ul style="list-style-type: none"> • Instructions for compliance with the EU Directives • Compliance with the UK certification scheme • Compliance with the EU ErP Directive (Ecodesign Directive) |
| | | |

FR-F800 Series

Instruction Manual Supplement

1 Monitoring terminals S1 and S2 (FR Configurator2)

Graph display using FR Configurator2 is supported for terminals S1 and S2 (data from the high speed sampling and the USB trace file).

The state of terminals S1 and S2 can be displayed in graph form using FR Configurator2.

The FR Configurator2 version 1.28E or later supports graph display for terminals S1 and S2.

For details on FR Configurator2, refer to the FR Configurator2 Instruction Manual.

◆ Digital source (monitor item) selection

- Terminals S1 and S2 can be selected as digital sources for the trace function.
- Select the digital sources (input/output signals) to be set to **Pr.1038 to Pr.1045** from the following table. When a value other than the ones in the following table is set, "0" (OFF) is applied for indication.

| Setting value | Signal name |
|---------------|-------------|
| 1 | STF |
| 2 | STR |
| 3 | AU |
| 4 | RT |
| 5 | RL |
| 6 | RM |
| 7 | RH |
| 8 | JOG |
| 9 | MRS |
| 10 | STP(STOP) |
| 11 | RES |
| 12 | CS |
| 15 | S2 |
| 16 | S1 |

| Setting value | Signal name |
|---------------|-------------|
| 21 | X0 |
| 22 | X1 |
| 23 | X2 |
| 24 | X3 |
| 25 | X4 |
| 26 | X5 |
| 27 | X6 |
| 28 | X7 |
| 29 | X8 |
| 30 | X9 |
| 31 | X10 |
| 32 | X11 |
| 33 | X12 |
| 34 | X13 |
| 35 | X14 |
| 36 | X15 |
| 37 | DY |

| Setting value | Signal name |
|---------------|-------------|
| 101 | RUN |
| 102 | SU |
| 103 | IPF |
| 104 | OL |
| 105 | FU |
| 106 | ABC1 |
| 107 | ABC2 |
| 121 | DO0 |
| 122 | DO1 |
| 123 | DO2 |
| 124 | DO3 |
| 125 | DO4 |
| 126 | DO5 |
| 127 | DO6 |
| 128 | RA1 |
| 129 | RA2 |
| 130 | RA3 |

FR-F800 Series

Instruction Manual Supplement

1 Earth (ground) fault detection at start / restricting reset method for an earth (ground) fault

The reset method for the output side earth (ground) fault overcurrent (E.GF) can be restricted.

- Select whether to enable or disable the earth (ground) fault detection at start. When enabled, the earth (ground) fault detection is performed immediately after a start signal input to the inverter.
- Select whether to restrict the reset method for an earth (ground) fault.

| Pr. | Name | Initial value | Setting range | Description | |
|-------------|---|---------------|---------------|-----------------------|----------------|
| | | | | Earth (ground) fault | Reset method |
| 249 H101 | Earth (ground) fault detection at start | 0 | 0 | Not detected at start | Not restricted |
| | | | 1 | Detected at start | |
| | | | 2 | | Restricted |

◆ Selecting whether to perform the earth (ground) fault detection at start

- If an earth (ground) fault is detected at start while **Pr.249** = "1 or 2", the output side earth (ground) fault overcurrent (E.GF) is detected and output is shut off.
- Earth (ground) fault detection at start is enabled under V/F control and Advanced magnetic flux vector control.
- When the **Pr.72 PWM frequency selection** setting is high, enable the earth (ground) fault detection at start.

NOTE

- Because the detection is performed at start, output is delayed for approx. 20 ms every start.
- Use **Pr.249** to enable/disable the earth (ground) fault detection at start. During operation, earth (ground) faults are detected regardless of the **Pr.249** setting.

◆ Restricting reset method for an earth (ground) fault

- The reset method when the output is shut off due to the output side earth (ground) fault overcurrent (E.GF) can be restricted. When E.GF occurs while **Pr.249** = "2", E.GF can be reset only by turning OFF the control circuit power.
- This restriction prevents the inverter from being damaged due to repeated reset operations by the other methods such as entering the RES signal.
- When E.GF occurs while **Pr.249** = "2", the output short-circuit detection (ALM4) signal can be output.
- For the terminal used to output the ALM4 signal, set "23" (positive logic) or "123" (negative logic) in any of **Pr.190 to Pr.196 (Output terminal function selection)**.
- If **Pr.249** is set to "2" while the retry function is enabled (**Pr.67** is not set to "0"), no retry is performed even when E.GF occurs.
- If **Pr.249** is set to "2" while the automatic bypass switching after inverter fault is enabled (**Pr.138** is not set to "1"), the operation is not switched to the commercial power supply operation even when E.GF occurs.

NOTE

- Changing the terminal assignment using **Pr.190 to Pr.196 (Output terminal function selection)** may affect the other functions. Set parameters after confirming the function of each terminal.
- E.GF is not cleared by turning ON the Fault clear (X51) signal when **Pr.249** = "2".
- If E.GF occurs during emergency drive operation when **Pr.249** = "2", the output is shut off.

2 Output short-circuit fault (E.SCF)

Select the reset operation and fault indication for an output short-circuit.

| Pr. | Name | Initial value | Setting range | Description | |
|-------------|--------------------------------|---------------|---------------|---------------------------|----------------|
| | | | | Operation after detection | Reset method |
| 521 H194 | Output short-circuit detection | 0 | 0 | E.OC1 to E.OC3 | Not restricted |
| | | | 1 | E.SCF | Restricted |

- The fault indication for an output short-circuit (E.OC1 to E.OC3, and E.SCF) can be changed by the **Pr.521** setting.
- When an output short-circuit is detected while **Pr.521** = "1", E.SCF is displayed and the inverter output is shut off.
- When E.SCF occurs while **Pr.521** = "1", E.SCF can be reset only by turning OFF the control circuit power. (E.OC1 to E.OC3 can be reset by any reset method.)
- This restriction prevents the inverter from being damaged due to repeated reset operations by the other methods such as entering the RES signal.
- When E.SCF occurs, the output short-circuit detection (ALM4) signal can be output.
- For the terminal used to output the ALM4 signal, set "23" (positive logic) or "123" (negative logic) in any of **Pr.190 to Pr.196 (Output terminal function selection)**.
- If the automatic bypass switching after inverter fault is enabled (**Pr.138** is not set to "1"), the operation is not switched to the commercial power supply operation even when E.SCF occurs.

| Operation panel indication | E.SCF | <i>E. SCF</i> | FR-LU08 indication | Fault |
|----------------------------|--|---------------|--------------------|-------|
| Name | Output short-circuit fault | | | |
| Description | The inverter output is shut off when an output short-circuit is detected while Pr.521 = "1". When Pr.521 = "0" (initial value), E.OC1, E.OC2, or E.OC3 appears when an output short-circuit is detected. | | | |
| Check point | Check for output short-circuit. | | | |
| Corrective action | Check the wiring to make sure that any output short circuit does not occur, then turn OFF the control circuit power to reset the inverter. | | | |

NOTE

- When short-circuit resistance is large, the current does not reach the short-circuit detection level. In such a case, an output short-circuit cannot be detected.
- Changing the terminal assignment using **Pr.190 to Pr.196 (Output terminal function selection)** may affect the other functions. Set parameters after confirming the function of each terminal.
- E.SCF does not activate the retry function.
- E.SCF is not cleared by turning ON the Fault clear (X51) signal.
- If E.SCF occurs during emergency drive operation, the output is shut off.
- The communication data code for E.SCF is 20 (H14).

3 Extended detection time of the output current and zero current

The setting range of the **Pr.151 Output current detection signal delay time** and **Pr.153 Zero current detection time** is extended.

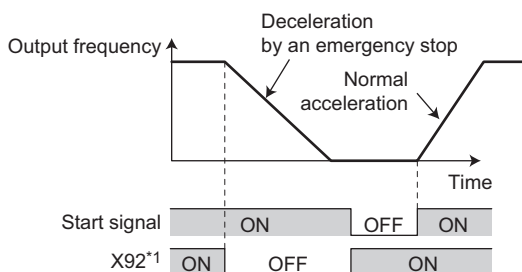
| Pr. | Name | Initial value | Setting range | Description |
|-----------------|---|---------------|---------------|---|
| 151 M461 | Output current detection signal delay time | 0 s | 0 to 300 s | Set the output current detection time. Enter the time from when the output current reaches the set current or higher to when the Output current detection (Y12) signal is output. |
| 153 M463 | Zero current detection time | 0.5 s | 0 to 300 s | Set the time from when the output current drops to the Pr.152 setting or lower to when the Zero current detection (Y13) signal is output. |

4 Emergency stop function (Pr.1103)

When a fault occurs in the superordinate controller, the motor can be decelerated by the signal input via an external terminal.

| Pr. | Name | Initial value | Setting range | Description |
|------------------|--|---------------|---------------|---|
| 815 H710 | Torque limit level 2 | 9999 | 0 to 400% | Set the torque limit level at a deceleration by turning ON the X92 signal. |
| | | | 9999 | The torque limit set to Pr.22 is valid. |
| 1103 F040 | Deceleration time at emergency stop | 5 s | 0 to 3600 s | Set the motor deceleration time at a deceleration by turning ON the X92 signal. |

- The motor will decelerate to stop according to the settings of **Pr.1103 Deceleration time at emergency stop** and **Pr.815 Torque limit level 2** when the Emergency stop (X92) signal is turned OFF (when the contact is opened).
- To input the X92 signal, set "92" in any of **Pr.178 to Pr.189 (Input terminal function selection)** to assign the function to a terminal.
- The X92 signal is a normally closed input (NC contact input).
- "PS" is displayed on the operation panel during activation of the emergency stop function.



*1 ON/OFF indicates the input status of the physical terminal.

NOTE

- The X92 signals can be assigned to an input terminal by setting **Pr.178 to Pr.189 (Input terminal function selection)**. Changing the terminal assignment may affect other functions. Set parameters after confirming the function of each terminal.

mitsubishi electric corporation

HEAD OFFICE: TOKYO BUILDING 2-7-3, MARUNOUCHI, CHIYODA-KU, TOKYO 100-8310, JAPAN

IB(NA)-0600760ENG-C(2203)MEE Printed in Japan

Specifications subject to change without notice.