

TRANSISTORIZED INVERTER

FR-F₅₀₀

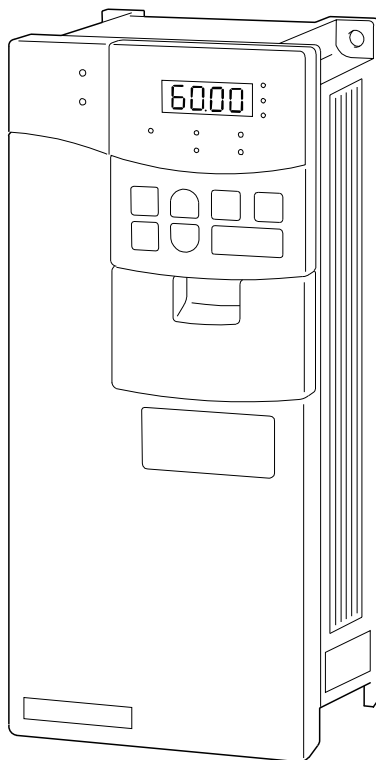
INSTRUCTION MANUAL

FR-F520-0.75K to 55K

FR-F540-0.75K to 55K(-EC)

FR-F520-11K to 55K-NA

FR-F540-11K to 55K-NA



OUTLINE Chapter 1

**INSTALLATION
AND WIRING** Chapter 2

**OPERATION/
CONTROL** Chapter 3

PARAMETERS Chapter 4

**PROTECTIVE
FUNCTIONS** Chapter 5

SPECIFICATIONS Chapter 6

OPTIONS Chapter 7

Thank you for choosing this Mitsubishi transistorized Inverter.

This instruction manual gives handling information and precautions for use of this equipment.

Incorrect handling might cause an unexpected fault. Before using the inverter, please read this manual carefully to use the equipment to its optimum.

Please forward this manual to the end user.

This instruction manual uses the International System of Units (SI). The measuring units in the yard and pound system are indicated in parentheses as reference values.

This section is specifically about safety matters

Do not attempt to install, operate, maintain or inspect the inverter until you have read through this instruction manual and appended documents carefully and can use the equipment correctly.

Do not use the inverter until you have a full knowledge of the equipment, safety information and instructions.


In this instruction manual, the safety instruction levels are classified into "WARNING" and "CAUTION".



Assumes that incorrect handling may cause hazardous conditions, resulting in death or severe injury.



Assumes that incorrect handling may cause hazardous conditions, resulting in medium or slight injury, or may cause physical damage only.

Note that the  **CAUTION** level may lead to a serious consequence according to conditions. Please follow the instructions of both levels because they are important to personnel safety.

SAFETY INSTRUCTIONS

1. Electric Shock Prevention

WARNING

- While power is on or when the inverter is running, do not open the front cover. You may get an electric shock.
- Do not run the inverter with the front cover removed. Otherwise, you may access the exposed high-voltage terminals or the charging part of the circuitry and get an electric shock.
- Even if power is off, do not remove the front cover except for wiring or periodic inspection. You may access the charged inverter circuits and get an electric shock.
- Before starting wiring or inspection, switch power off, wait for more than at least 10 minutes and check for the presence of any residual voltage with a meter (check chapter 2 for further details.) etc.
- This inverter must be earthed (grounded). Earthing (grounding) must conform to the requirements of national and local safety regulations and electrical code. (JIS, NEC section 250, IEC 536 class 1 and other applicable standards)
- Any person who is involved in the wiring or inspection of this equipment should be fully competent to do the work.
- Always install the inverter before wiring. Otherwise, you may get an electric shock or be injured.
- Perform setting dial and key operations with dry hands to prevent an electric shock.
- Do not subject the cables to scratches, excessive stress, heavy loads or pinching. Otherwise, you may get an electric shock.
- Do not change the cooling fan while power is on. To do so will invite a hazardous condition.

2. Fire Prevention

CAUTION

- Mount the inverter on an incombustible surface. Installing the inverter directly on or near a combustible surface could lead to a fire.
- If the inverter has become faulty, switch off the inverter power. A continuous flow of large current could cause a fire.
- When using a brake resistor, make up a sequence that will turn off power when an alarm signal is output. Otherwise, the brake resistor may excessively overheat due to damage of the brake transistor and such, causing a fire.
- Do not connect a resistor directly to the DC terminals P (+), N (-). This could cause a fire.

3. Injury Prevention

CAUTION

- Apply only the voltage specified in the instruction manual to each terminal to prevent damage etc.
- Ensure that the cables are connected to the correct terminals. Otherwise, damage etc. may occur.
- Always make sure that polarity is correct to prevent damage etc.
- While power is on and for some time after power-off, do not touch the inverter as it is hot and you may get burnt.

4. Additional instructions

Also note the following points to prevent an accidental failure, injury, electric shock, etc.

(1) Transportation and installation

CAUTION

- When carrying products, use correct lifting gear to prevent injury.
- Do not stack the inverter boxes higher than the number recommended.
- Ensure that installation position and material can withstand the weight of the inverter. Install according to the information in the Instruction Manual.
- Do not operate if the inverter is damaged or has parts missing.
- Do not hold the inverter by the front cover; it may fall off.
- Do not stand or rest heavy objects on the inverter.
- Check the inverter mounting orientation is correct.
- Prevent screws, wire fragments, conductive bodies, oil or other flammable substances from entering the inverter.
- Do not drop the inverter, or subject it to impact.
- Use the inverter under the following environmental conditions:

Environment	Ambient temperature	-10°C to +50°C (14°F to 122°F) (non-freezing) (-10°C to +40°C (14°F to 104°F) with FR-A5CV□□ attachment)
	Ambient humidity	90%RH or less (non-condensing)
	Storage temperature	-20°C to +65°C* (-4°F to 149°F)
	Ambience	Indoors (free from corrosive gas, flammable gas, oil mist, dust and dirt)
	Altitude, vibration	Maximum 1000m (3280.80feet) above sea level for standard operation. After that derate by 3% for every extra 500m (1640.40feet) up to 2500m (8202.00feet) (91%). 5.9m/s ² or less (conforming to JIS C 0040)

*Temperatures applicable for a short time, e.g. in transit.

(2) Wiring

CAUTION

- Do not fit capacitive equipment such as a power factor correction capacitor surge suppressor or, radio noise filter (option FR-BIF) to the inverter output side.
- The connection orientation of the output cables (terminals U, V, W) to the motor will affect the direction of rotation of the motor.

(3) Trial run

CAUTION

- Check all parameters, and ensure that the machine will not be damaged by a sudden start-up.

(4) Operation

CAUTION

- When you have chosen the retry function, stay away from the equipment as it will restart suddenly after an alarm stop.
- The [STOP] key is valid only when the appropriate function setting has been made. Prepare an emergency stop switch separately.
- Make sure that the start signal is off before resetting the inverter alarm. A failure to do so may restart the motor suddenly.

CAUTION

- The electronic thermal relay does not guarantee protection of the motor from overheating.
- Do not use a magnetic contactor on the inverter input for frequent starting/stopping of the inverter.
- Use a noise filter to reduce the effect of electromagnetic interference. Otherwise nearby electronic equipment may be affected.
- Take measures to suppress harmonics. Otherwise power harmonics from the inverter may heat/damage the power capacitor and generator.
- When a 400V class motor is inverter-driven, it should be insulation-enhanced or surge voltages suppressed. Surge voltages attributable to the wiring constants may occur at the motor terminals, deteriorating the insulation of the motor.
- When parameter clear or all clear is performed, each parameter returns to the factory setting. Re-set the required parameters before starting operation.
- The inverter can be easily set for high-speed operation. Before changing its setting, examine the performance of the motor and machine.
- In addition to the inverter's holding function, install a holding device to ensure safety.
- Before running an inverter which had been stored for a long period, always perform inspection and test operation.

(5) Emergency stop

CAUTION

- Provide a safety backup such as an emergency brake which will prevent the machine and equipment from hazardous conditions if the inverter fails.
- When the breaker on the inverter primary side trips, check for the wiring fault (short circuit), damage of the inner parts of the inverter, etc. Identify the cause of the trip, then remove the cause and power on the breaker.
- When any protective function is activated, take the corresponding corrective action, then reset the inverter, and resume operation.

(6) Maintenance, inspection and parts replacement

CAUTION

- Do not carry out a megger (insulation resistance) test on the control circuit of the inverter.

(7) Disposing of the inverter

CAUTION

- Treat as industrial waste.

(8) General instructions

Many of the diagrams and drawings in this instruction manual show the inverter without a cover, or partially open. Never run the inverter in this manner. Always replace the cover and follow this instruction manual when operating the inverter.

CONTENTS


1 OUTLINE 1

1.1 Pre-Operation Information	1
1.1.1 Precautions for operation	1
1.2 Basic Configuration	2
1.2.1 Basic configuration	2
1.3 Structure	3
1.3.1 Appearance and structure	3
1.3.2 Removal and reinstallation of the front cover	4
1.3.3 Removal and reinstallation of the operation panel	6

2 INSTALLATION AND WIRING 7

2.1 Installation	7
2.1.1 Instructions for installation	7
2.2 Wiring	9
2.2.1 Terminal connection diagram	9
2.2.2 Wiring of the main circuit	12
2.2.3 Wiring of the control circuit	18
2.2.4 Connection to the PU connector	22
2.2.5 Connection of stand-alone option units	25
2.2.6 Design information	29
2.3 Other wiring	30
2.3.1 Power harmonics	30
2.3.2 Japanese harmonic suppression guidelines	31
2.3.3 Inverter-generated noises and their reduction techniques	34
2.3.4 Leakage currents and countermeasures	37
2.3.5 Inverter-driven 400V class motor	38
2.3.6 Peripheral devices	39
2.3.7 Instructions for compliance with U.S. and Canadian Electrical Codes	41
2.3.8 Instructions for compliance with the European Directives	42
2.3.9 Earthing (Grounding) (EC version)	44

3 OPERATION/CONTROL 45

3.1 Pre-Operation Information	45
3.1.1 Devices and parts to be prepared for operation	45
3.1.2 Power on	47
3.2 Operation Panel	48
3.2.1 Names and functions of the operation panel (FR-DU04)	48
3.2.2 Monitor display changed by pressing the  key	48
3.2.3 Monitoring	49
3.2.4 Frequency setting	49
3.2.5 Parameter setting method	50
3.2.6 Operation mode	51
3.2.7 Help mode	51
3.2.8 Copy mode	53
3.3 Parameter Checking and Setting	54
3.3.1 Parameter checking	54

3.3.2 Main parameter settings	56
3.4 Operation	58
3.4.1 Pre-operation checks	58
3.4.2 External operation mode (Operation using external input signals)	59
3.4.3 PU operation mode (Operation using the operation panel (FR-DU04))	60
3.4.4 Combined operation mode (Operation using the external input signals and PU)	61

4 PARAMETERS

62

4.1 Parameter List	62
4.1.1 Parameter list	62
4.1.2 List of Parameters Classified by Purposes of Use	67
4.2 Parameter Function Details	68
4.2.1 Torque boost (Pr. 0, Pr. 46)	68
4.2.2 Output frequency range (Pr. 1, Pr. 2)	69
4.2.3 Base frequency, base frequency voltage (Pr. 3, Pr. 19, Pr. 47)	70
4.2.4 Multi-speed operation (Pr. 4 to Pr. 6, Pr. 24 to Pr.27)	71
4.2.5 Acceleration/deceleration time (Pr. 7, Pr. 8, Pr. 20, Pr. 21, Pr. 44, Pr. 45)	72
4.2.6 Electronic overcurrent protection (Pr. 9)	73
4.2.7 DC injection brake (Pr. 10 to Pr. 12)	74
4.2.8 Starting frequency (Pr. 13)	75
4.2.9 Load pattern selection (Pr. 14)	76
4.2.10 Jog operation (Pr. 15, Pr. 16)	77
4.2.11 MRS input selection (Pr. 17)	78
4.2.12 Stall prevention (Pr. 22, Pr. 23, Pr. 66, Pr. 148, Pr. 149, Pr. 154)	79
4.2.13 Multi-speed input compensation (Pr. 28)	80
4.2.14 Acceleration/deceleration pattern (Pr. 29, Pr.140 to Pr.143)	81
4.2.15 Regenerative brake duty (Pr.30)	82
4.2.16 Frequency jump (Pr. 31 to Pr. 36)	83
4.2.17 Speed display (Pr. 37, Pr. 144)	84
4.2.18 Automatic torque boost (Pr. 38, Pr. 39)	85
4.2.19 Up-to-frequency sensitivity (Pr. 41)	85
4.2.20 Output frequency detection (Pr. 42, Pr. 43, Pr. 50)	86
4.2.21 Second stall prevention (Pr. 48, Pr. 49)	87
4.2.22 Monitor display / FM, AM terminal function selection (Pr. 52 to Pr. 54, Pr. 158)	88
4.2.23 Monitoring reference (Pr. 55, Pr. 56)	90
4.2.24 Automatic restart after instantaneous power failure (Pr. 57, Pr. 58, Pr. 162 to Pr. 165)	91
4.2.25 Remote setting function selection (Pr. 59)	93
4.2.26 Intelligent mode selection (Pr. 60)	95
4.2.27 Acceleration/deceleration reference current (Pr. 61 to Pr. 63)	96
4.2.28 Retry function (Pr. 65, Pr. 67 to Pr. 69)	97
4.2.29 Applied motor (Pr. 71)	99
4.2.30 PWM carrier frequency (Pr. 72, Pr. 240)	100
4.2.31 Voltage input (Pr. 73)	101
4.2.32 Input filter time constant (Pr. 74)	102
4.2.33 Reset selection/disconnection PU detection/PU stop selection (Pr. 75)	102
4.2.34 Alarm code output selection (Pr. 76)	104
4.2.35 Parameter write disable selection (Pr. 77)	105
4.2.36 Reverse rotation prevention selection (Pr. 78)	106
4.2.37 Operation mode selection (Pr. 79)	107
4.2.38 V/F control frequency (voltage) (Pr. 100 to Pr. 109)	110

4.2.39 Computer link operation (Pr. 117 to Pr. 124)	111
4.2.40 PID control (Pr. 128 to Pr. 134)	122
4.2.41 Commercial power supply-inverter switch-over function (Pr. 135 to Pr. 139)	129
4.2.42 Zero current detection (Pr. 152, Pr. 153)	135
4.2.43 RT signal activated condition selection (Pr. 155).....	136
4.2.44 Stall prevention function and current limit function (Pr. 156)	136
4.2.45 OL signal output timer (Pr. 157).....	138
4.2.46 User group selection (Pr. 160, Pr. 173 to Pr. 176).....	139
4.2.47 Watt-hour meter clear/actual operation hour meter clear (Pr. 170, Pr. 171)	140
4.2.48 Input terminal function selection (Pr. 180 to Pr. 186)	140
4.2.49 Output terminal function selection (Pr. 190 to Pr. 195).....	142
4.2.50 User initial value setting (Pr. 199).....	144
4.2.51 Cooling fan operation selection (Pr. 244)	145
4.2.52 Output phase failure protection selection (Pr. 251)	145
4.2.53 Override bias/gain (Pr. 252, Pr. 253)	146
4.2.54 Advanced PID control (Pr. 500 to Pr. 516) (NA, EC versions only)	147
4.2.55 Meter (frequency meter) calibration (Pr. 900, Pr. 901)	158
4.2.56 Frequency setting voltage (current) bias and gain (Pr. 902 to Pr. 905).....	160
4.2.57 PU buzzer control (Pr. 990)	165

5 PROTECTIVE FUNCTIONS

166

5.1 Errors (Alarms)	166
5.1.1 Error (alarm) definitions	166
5.1.2 To know the operating status at the occurrence of an alarm.....	175
5.1.3 Correspondences between digital and actual characters	175
5.1.4 Alarm code output	176
5.1.5 Resetting the inverter.....	176
5.2 Troubleshooting.....	177
5.2.1 Motor remains stopped.....	177
5.2.2 Motor rotates in opposite direction.....	177
5.2.3 Speed greatly differs from the setting	177
5.2.4 Acceleration/deceleration is not smooth.....	177
5.2.5 Motor current is large.....	178
5.2.6 Speed does not increase.....	178
5.2.7 Speed varies during operation.....	178
5.2.8 Operation mode is not changed properly.....	178
5.2.9 Operation panel (FR-DU04) display is not provided	178
5.2.10 POWER lamp is not lit.....	178
5.2.11 Parameter write cannot be performed	178
5.3 Precautions for Maintenance and Inspection	179
5.3.1 Precautions for maintenance and inspection.....	179
5.3.2 Check items	179
5.3.3 Periodic inspection	179
5.3.4 Insulation resistance test using megger	180
5.3.5 Pressure test	180
5.3.6 Daily and Periodic Inspection	180
5.3.7 Replacement of parts	183
5.3.8 Inverter replacement.....	184
5.3.9 Measurement of main circuit voltages, currents and power	185

6 SPECIFICATIONS	187
-------------------------	------------

6.1 Standard Specifications	187
6.1.1 Model specifications	187
6.1.2 Common specifications	189
6.1.3 Outline dimension drawings.....	191

7 OPTIONS	195
------------------	------------

7.1 Option List	195
7.1.1 Stand-alone options.....	195
7.1.2 Inboard dedicated options	197

APPENDICES	198
-------------------	------------

Appendix 1 Data Code List.....	198
--------------------------------	-----

CHAPTER 1

OUTLINE

This chapter gives information on the basic "outline" of this product.

Always read the instructions in this chapter before using the equipment.

1.1 Pre-Operation Information.....	1
1.2 Basic Configuration.....	2
1.3 Structure	3

<Abbreviations>

- DU
Operation panel (FR-DU04)
- PU
Operation panel (FR-DU04) and parameter unit (FR-PU04)
- Inverter
Mitsubishi transistorized inverter FR-F500 series
- Pr.
Parameter number
- PU operation
Operation using the PU (FR-DU04/FR-PU04)
- External operation
Operation using the control circuit signals
- Combined operation
Operation using both the PU (FR-DU04/FR-PU04) and external operation

Chapter 1

Chapter 2

Chapter 3

Chapter 4

Chapter 5

Chapter 6

Chapter 7

1.1 Pre-Operation Information

1.1.1 Precautions for operation

Incorrect handling might cause the inverter to operate improperly, its life to be reduced considerably, or at the worst, the inverter to be damaged. Handle the inverter properly in accordance with the information in each section as well as the precautions and instructions of this manual to use it correctly.

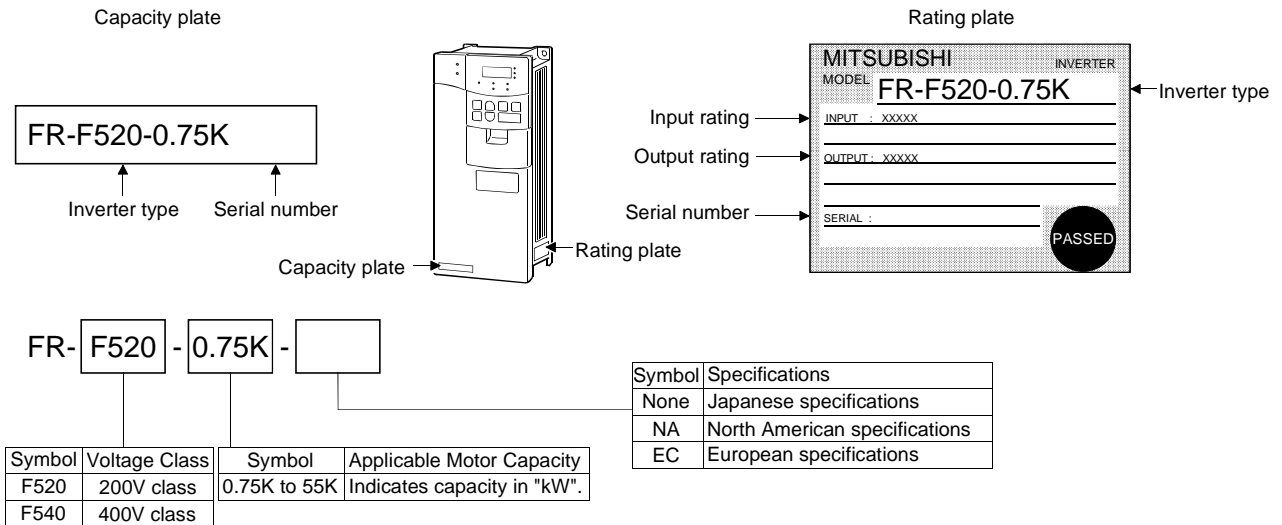
This manual is written for the FR-F500 series transistorized inverters.

For handling information on the parameter unit (FR-PU04), inboard options, stand-alone options, etc., refer to the corresponding manuals.

(1) Unpacking and product check

Unpack the inverter and check the capacity plate on the front cover and the rating plate on the inverter side face to ensure that the product agrees with your order and the inverter is intact.

1) Inverter type



2) Accessory

Instruction manual

If you have found any discrepancy, damage, etc., please contact your sales representative.

(2) Preparations of instruments and parts required for operation

Instruments and parts to be prepared depend on how the inverter is operated. Prepare equipment and parts as necessary. (Refer to page 45.)

(3) Installation

To operate the inverter with high performance for a long time, install the inverter in a proper place, in the correct direction, and with proper clearances. (Refer to page 7.)

(4) Wiring

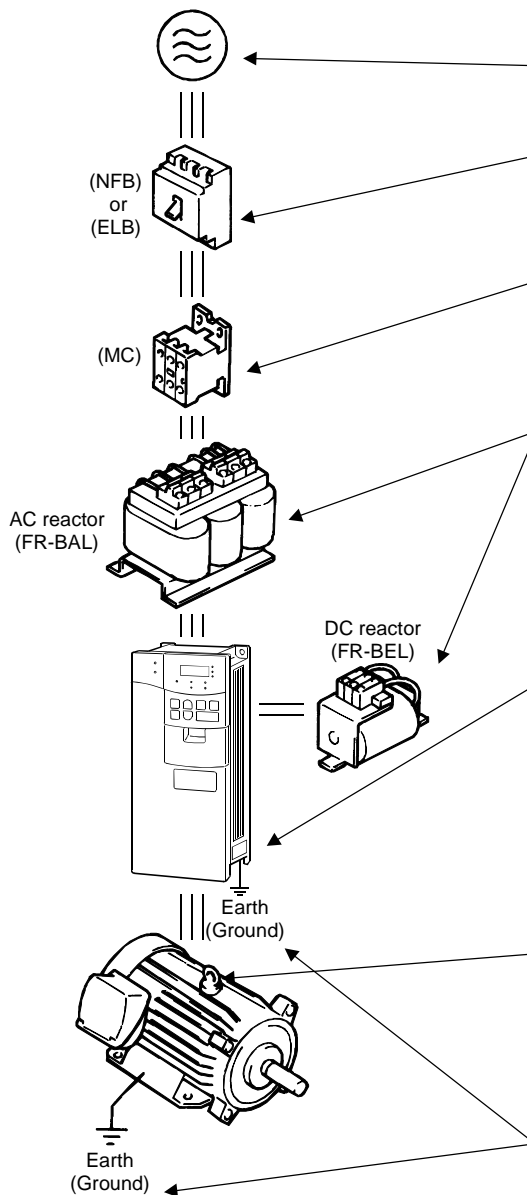
Connect the power supply, motor and operation signals (control signals) to the terminal block. Note that incorrect connection may damage the inverter and peripheral devices. (See page 9.)

1.2 Basic Configuration

1.2.1 Basic configuration

The following devices are required to operate the inverter. Proper peripheral devices must be selected and correct connections made to ensure proper operation. Incorrect system configuration and connections can cause the inverter to operate improperly, its life to be reduced considerably, and in the worst case, the inverter to be damaged.

Please handle the inverter properly in accordance with the information in each section as well as the precautions and instructions of this manual. (For connections of the peripheral devices, refer to the corresponding manuals.)



Name	Description
Power supply	Use the power supply within the permissible power supply specifications of the inverter. (Refer to page 187.)
Earth leakage circuit breaker (ELB) or no-fuse breaker (NFB)	The breaker should be selected with care since a large inrush current flows in the inverter at power on. (Refer to page 39.)
Magnetic contactor	Install the magnetic contactor to ensure safety. Do not use this magnetic contactor to start or stop the inverter. Doing so will cause the inverter life to be shorter. (Refer to page 39.)
Reactors	Reactors must be used when the power factor is to be improved or when the inverter is installed near a large power supply system (1000kVA or more and wiring distance is within 10m (32.81feet)). Make selection carefully.
Inverter	<ul style="list-style-type: none"> The life of the inverter is influenced by ambient temperature. The ambient temperature should be as low as possible within the permissible range. This must be noted especially when the inverter is installed in an enclosure. (Refer to page 7.) Wrong wiring might lead to damage of the inverter. The control signal lines should be kept fully away from the main circuit to protect them from noise. (Refer to page 9.)
Devices connected to the output	Do not connect a power capacitor, surge suppressor or radio noise filter on the output side. Note: When installing a no-fuse breaker (NFB) on the output side, contact the NFB manufacturer for selection of no-fuse breaker.
Earth (Ground)	To prevent an electric shock, always earth (ground) the motor and inverter. For reduction of induction noise from the power line of the inverter, it is recommended to wire the earth (ground) cable by returning it to the earth (ground) terminal of the inverter. (Refer to page 37)

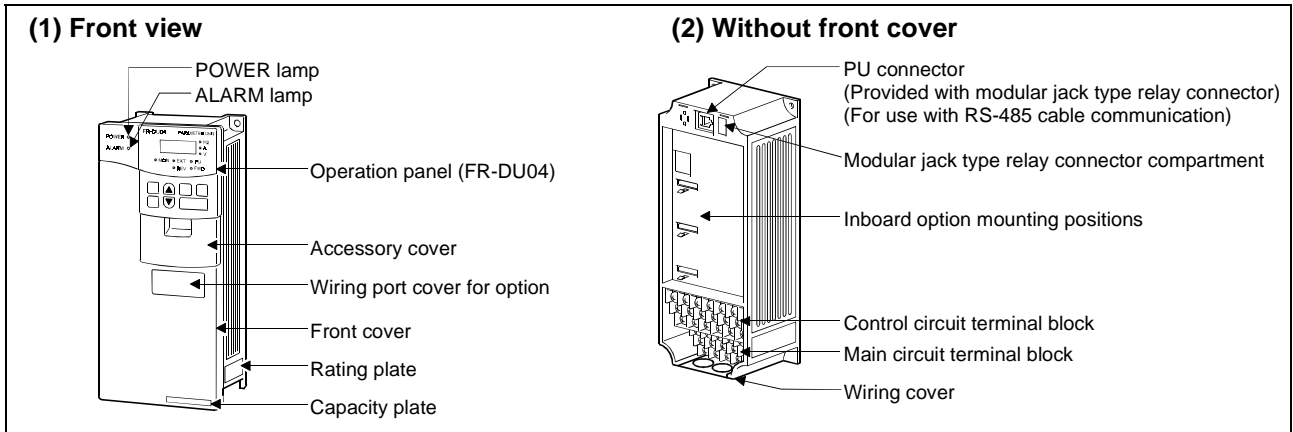
1

Japanese Harmonic Suppression Guideline

The “harmonic suppression guideline for household appliances and general-purpose products” was issued by Ministry of Economy, Trade and Industry (formerly Ministry of International Trade and Industry) in September, 1994. This guideline applies to the FR-F520-0.75K to 3.7K. By connection of the power factor improving reactor (FR-BEL or FR-BAL), this product complies the “harmonic suppression technique for transistorized inverters (input current 20A or less)” established by the Japan Electrical Manufactures’ Association.

1.3 Structure

1.3.1 Appearance and structure



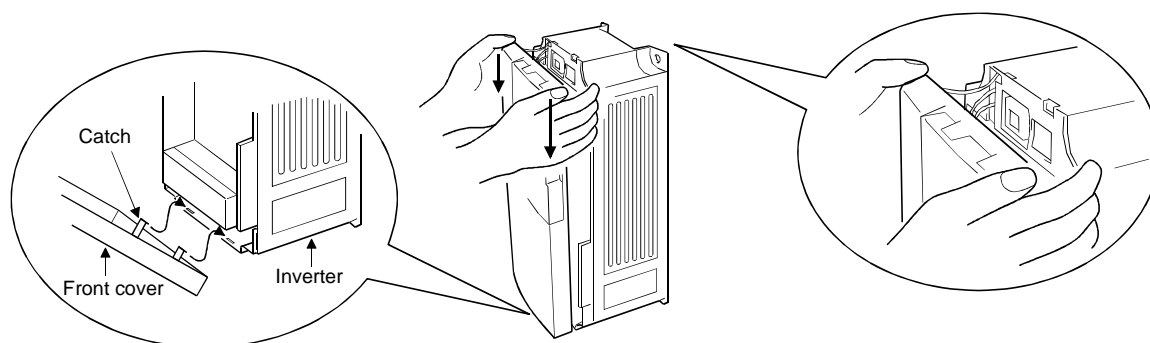
Note: The "EC" version of the FR-F500 uses phoenix type connectors for the control circuit terminal block.

1.3.2 Removal and reinstallation of the front cover

FR-F520-0.75K to 11K, FR-F540-0.75K to 11K

• Removal

- 1) Hold both sides of the front cover top and push the front cover down.
 - 2) Hold down the front cover and pull it toward you to remove.
- (The front cover may be removed with the PU (FR-DU04/FR-PU04) on.)



• Reinstallation

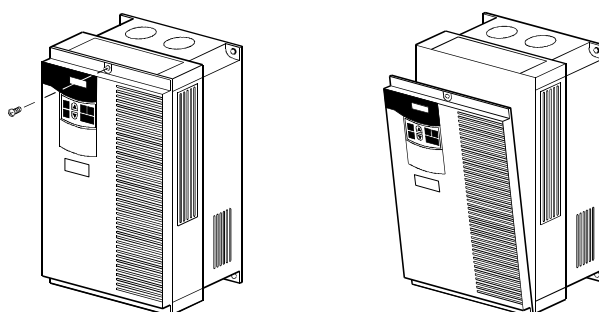
- 1) Insert the catches at the bottom of the front cover into the sockets of the inverter.
- 2) Using the catches as supports, securely press the front cover against the inverter.

Note: When the operation panel is mounted and the front cover is removed, remove the operation panel before reinstalling the front cover.

FR-F520-15K to 22K, FR-F540-15K to 22K

• Removal

- 1) Remove the installation screw at top of the front cover.
 - 2) Hold both ends of the front cover top.
 - 3) Pull the front cover toward you to remove.
- (The front cover may be removed with the PU (FR-DU04/FR-PU04) attached.)



• Reinstallation

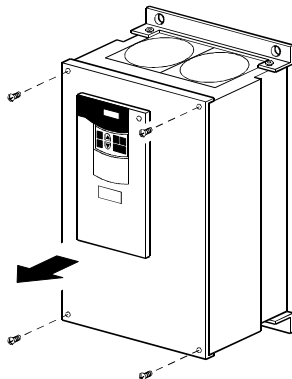
- 1) Insert the catches at the front cover bottom into the sockets of the inverter.
- 2) Using the catches as supports, securely press the front cover against the inverter.
- 3) Fix the front cover with the top screw.

Note: When the operation panel is mounted on the front cover removed, remove the operation panel before reinstalling the front cover.

FR-F520-30K to 55K, FR-F540-30K to 55K

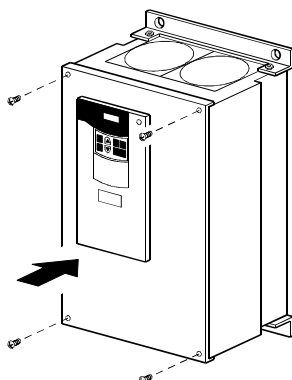
• Removal

- 1) Remove the front cover mounting screws.



• Reinstallation

- 1) Fix the front cover with the mounting screws.

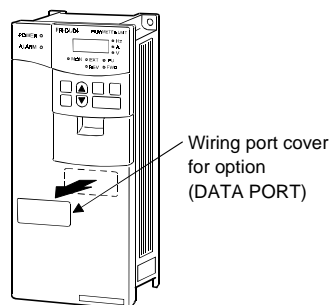


Note: 1. Make sure that the front cover has been reinstalled securely.
 2. The same serial number is printed on the capacity plate of the front cover and the rating plate of the inverter. Before reinstalling the front cover, check the serial number to ensure that the cover removed is reinstalled to the inverter from where it was removed.

REMARKS

• Removal of the wiring port cover for option (DATA PORT)

Push the DATA PORT from the back of the front cover to remove before fitting the communication option.

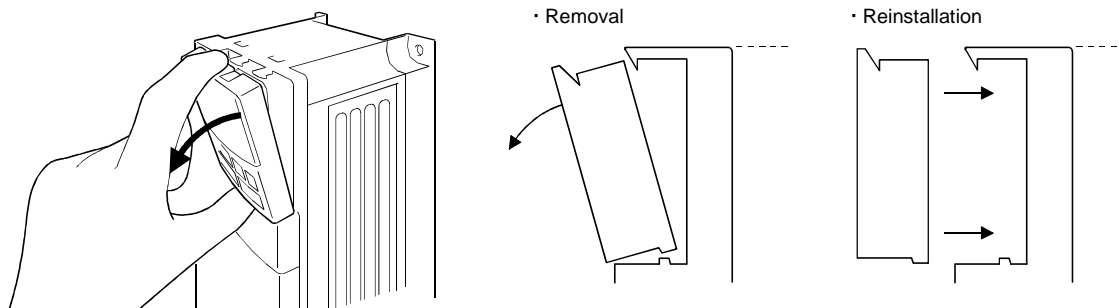


1.3.3 Removal and reinstallation of the operation panel

To ensure safety, remove and reinstall the operation panel after switching power off.

- Removal

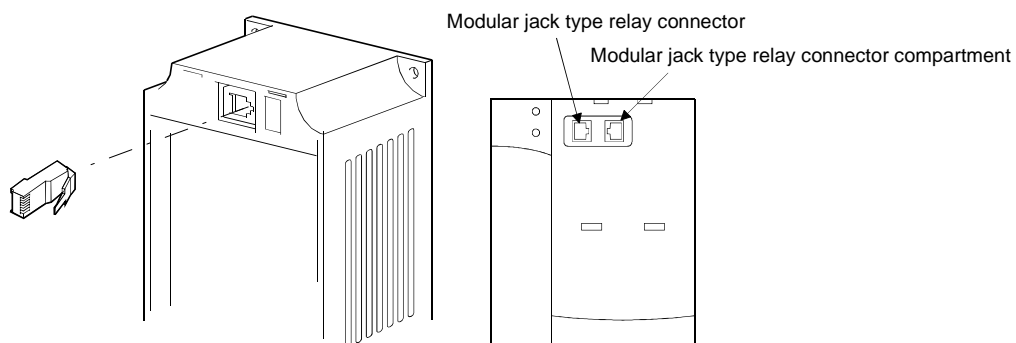
Hold down the top button of the operation panel and pull the operation panel toward you to remove.



To reinstall, insert straight and mount securely.

- Reinstallation using the connection cable

- 1) Remove the operation panel.
- 2) Disconnect the modular jack type relay connector. (Place the disconnected modular jack type relay connector in the modular jack type relay connector compartment.)



- 3) Securely plug one end of the connection cable into the PU connector (modular jack type relay connector) of the inverter and the other end into the operation panel. (For the connection cable, refer to 22 page.)

Note: Install the operation panel only when the front cover is on the inverter.

CHAPTER 2

INSTALLATION AND WIRING

This chapter gives information on the basic "installation and wiring" of this product.

Always read the instructions in this chapter before using the equipment.

2.1 Installation.....	7
2.2 Wiring	9
2.3 Other wiring	30

Chapter 1

Chapter 2

Chapter 3

Chapter 4

Chapter 5

Chapter 6

Chapter 7

2.1 Installation

INSTALLATION AND WIRING

2.1.1 Instructions for installation

1) Handle the unit carefully.

The inverter uses plastic parts. Handle it gently to protect it from damage. Also, hold the unit with even strength and do not apply too much strength to the front cover alone.

2) Install the inverter in a place where it is immune to vibration. (5.9 m/s^2 or less)

Also note the cart, press, etc.

3) Note on ambient temperature

The inverter life is under great influence of ambient temperature. In the place of installation, ambient temperature must be within the permissible range (depending upon the operation mode and conditions (see ambient temperature specifications on page 190). Check that the ambient temperature is within that range in the positions shown in figure 3)).

4) Install the inverter on a non-combustible surface.

The inverter will be very hot (maximum about 150°C (302°F)). Install it on a non-combustible surface (e.g. metal). Also leave sufficient clearances around the inverter.

5) Avoid high temperature and high humidity.

Avoid direct sunlight and places of high temperature and high humidity.

6) The amount of heat generated in an enclosure can be reduced considerably by placing the heatsink outside the enclosure.

Note: 1. Use the option (FR-A5CN□□) for installation. The mounting area should be cut to the panel cutting dimensions.
2. The cooling section outside the enclosure has the cooling fan. Do not use the inverter in any environment where it is exposed to waterdrops, oil mist, dust, etc.

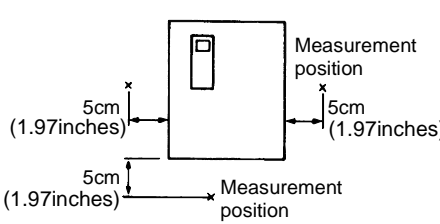
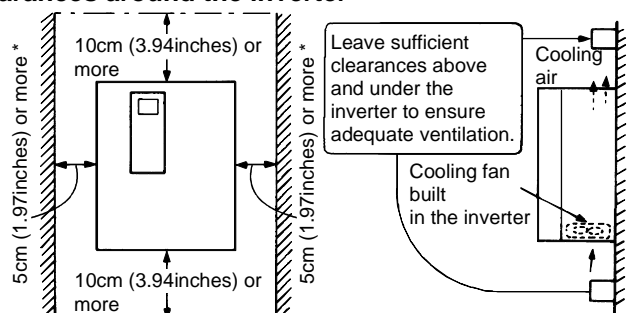
7) Avoid places where the inverter is exposed to oil mist, flammable gases, fluff, dust, dirt etc.

Install the inverter in a clean place or inside a "totally enclosed" panel, which does not accept any suspended matter.

8) Note the cooling method when the inverter is installed in an enclosure.

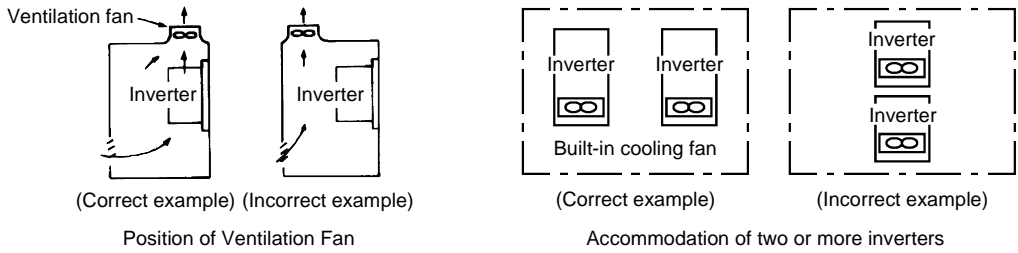
When two or more inverters are installed or a ventilation fan is mounted in an enclosure, the inverters and ventilation fan must be installed in proper positions with extreme care taken to keep the ambient temperatures of the inverters below the permissible value. If they are installed in improper positions, the ambient temperatures of the inverters will rise and ventilation effect will be reduced.

9) Install the inverter securely in the vertical direction with screws or bolts.

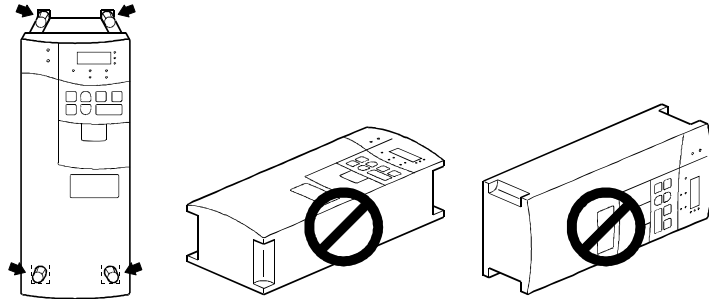
<p>3) Note on ambient temperature</p>  <p>5 cm (1.97inches) Measurement position 5 cm (1.97inches) 5 cm (1.97inches) Measurement position</p>	<p>4) Clearances around the inverter</p>  <p>10cm (3.94inches) or more 5cm (1.97inches) or more 10cm (3.94inches) or more 5cm (1.97inches) or more</p> <p>Leave sufficient clearances above and under the inverter to ensure adequate ventilation.</p> <p>Cooling fan built in the inverter</p> <p>Cooling air</p>
---	---

*: 1cm (0.39inches) or more for model 3.7K or less
These clearances are also necessary for changing the cooling fan.
(The 1.5K or more for 200V class and the 2.2K or more for 400V class are provided with a cooling fan.)

8) For installation in an enclosure



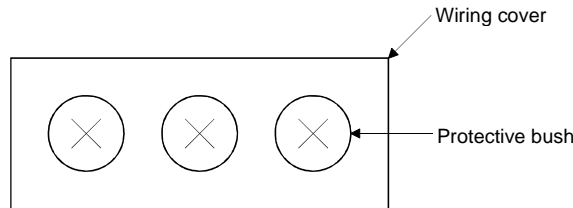
9) Vertical mounting



(1) Wiring cover and handling (22K or less)

1) When cable conduits are not connected

Cut the protective bushes of the wiring cover with nippers or a cutter before running the cables.

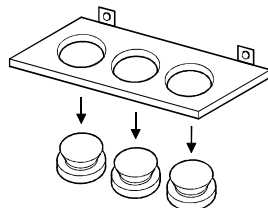


 WARNING

Do not remove the protective bushes. Otherwise, the cable sheathes may be scratched by the wiring cover edges, resulting in a short circuit or earth (ground) fault.

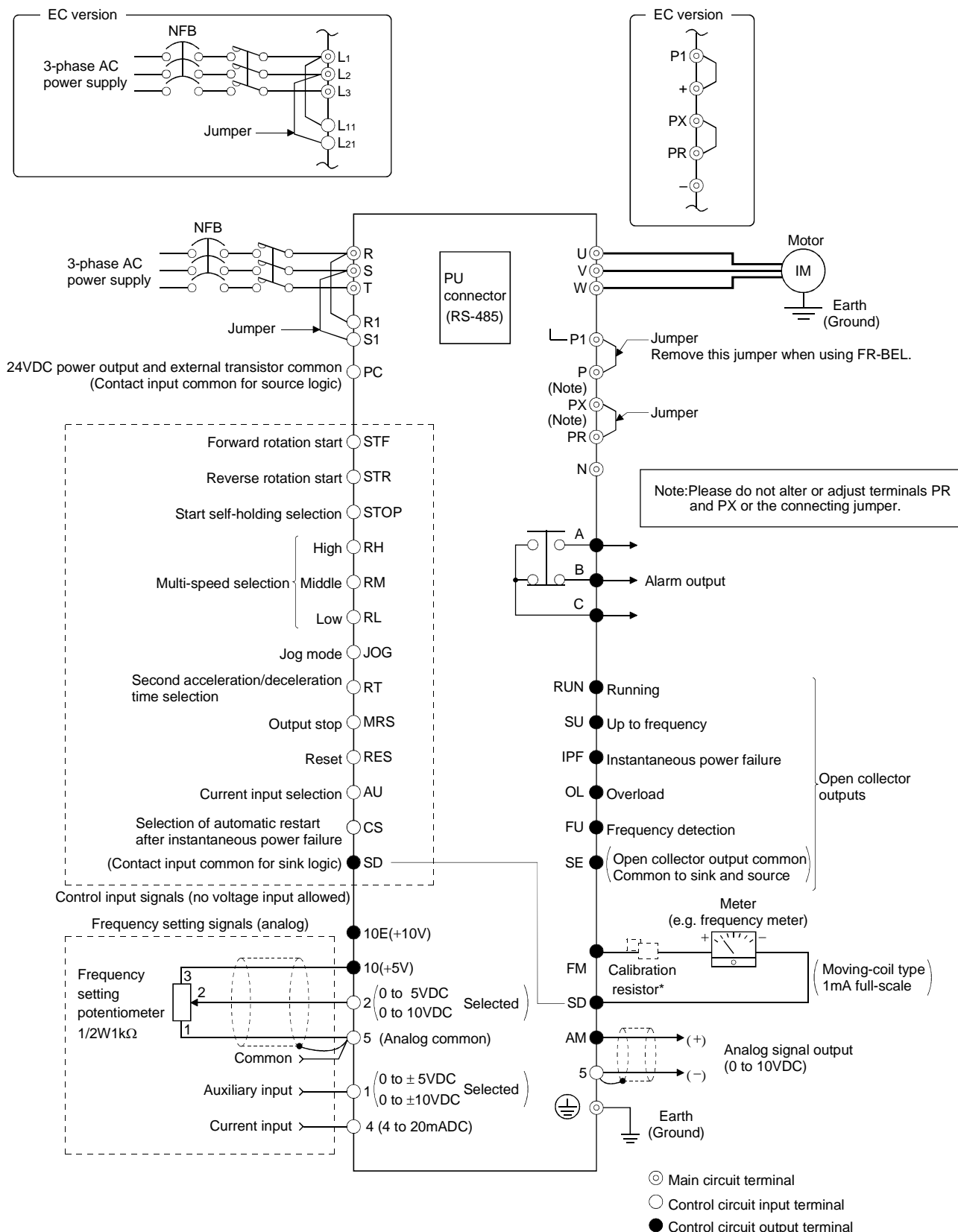
2) When cable conduits are connected

Remove the corresponding protective bushes and connect the cable conduits.



2.2 Wiring


2.2.1 Terminal connection diagram



When using current input as the frequency setting signal, turn the AU signal on.

* Not needed when the operation panel (FR-DU04) or parameter unit (FR-PU04) is used for calibration. Used when calibration must be made near the frequency meter for such a reason as a remote frequency meter. However, the frequency meter needle may not deflect to full-scale if the calibration resistor is connected. In this case, use this resistor and the operation panel or parameter unit together to make calibration.

(1) Description of main circuit terminals

Symbol	Terminal Name	Description
R, S, T (L ₁ , L ₂ , L ₃)	AC power input	Connect to the commercial power supply. Keep these terminals unconnected when using the high power factor converter (FR-HC).
U, V, W	Inverter output	Connect a three-phase squirrel-cage motor.
R1, S1 (L ₁₁ , L ₂₁)	Power supply for control circuit	Connected to the AC power supply terminals R and S (L ₁ and L ₂). To retain the alarm display and alarm output or when using the high power factor converter (FR-HC), remove the jumpers from terminals R-R1 and S-S1 (L ₁ -L ₁₁ and L ₂ -L ₂₁) and apply external power to these terminals.
P, N (+, -)	Brake unit connection	Connect the optional FR-BU brake unit, power regeneration converter (FR-RC) or high power factor converter (FR-HC).
P, P1 (+, P1)	Power factor improving DC reactor connection	Disconnect the jumper from terminals P-P1 (+ -P1) and connect the optional power factor improving reactor (FR-BEL).
PR, PX	Please do not alter or adjust terminals PR and PX of the connecting jumper.	
	Earth (Ground)	For earthing (grounding) the inverter chassis. Must be earthed (grounded).

Note: () Terminal names in parentheses are those of the EC version.

(2) Description of control circuit terminals

Type	Symbol	Terminal Name	Description		
Input signals	Contact input	STF	Forward rotation start	Turn on the STF signal to start forward rotation and turn it off to stop. Acts as a programmed operation start signal in the programmed operation mode. (Turn on to start and turn off to stop.)	When the STF and STR signals are turned on simultaneously, the stop command is given.
		STR	Reverse rotation start	Turn on the STR signal to start reverse rotation and turn it off to stop.	
		STOP	Start self-holding selection	Turn on the STOP signal to select the self-holding of the start signal.	
		RH, RM, RL	Multi-speed selection	Use the RH, RM and RL signals as appropriate to select multiple speeds.	Input terminal function selection (Pr. 180 to Pr. 186) change terminal functions.
		JOG	JOG mode selection	Turn on the JOG signal to select jog operation (factory setting). Jog operation can be performed with the start signal (STF or STR).	
		RT	Second acceleration/ deceleration time selection	Turn on the RT signal to select the second acceleration/ deceleration time. When the second functions such as "second torque boost" and "second V/F (base frequency)" functions have been set, these functions can also be selected by turning on the RT signal.	
		MRS	Output stop	Turn on the MRS signal (20ms or longer) to stop the inverter output. Used to shut off the inverter output to bring the motor to a stop by the magnetic brake.	
		RES	Reset	Used to reset the protective circuit activated. Turn on the RES signal for more than 0.1 s, then turn it off. The signal can always be reset to the factory setting. Setting Pr. 75 enables reset only at an inverter alarm occurrence. (Refer to page 102) Recover in about 1s after resetting.	
		AU	Current input selection	Only when the AU signal is turned on, the inverter can be operated with the 4-20mADC frequency setting signal. Turning on the AU signal makes the voltage input invalid.	Input terminal function selection (Pr. 180 to Pr. 186) change terminal functions.
		CS	Automatic restart after instantaneous power failure selection	With the CS signal on, restart can be made automatically when the power is restored after an instantaneous power failure. Note that this operation requires restart parameters to be set. When the inverter is shipped from the factory, it is set to disallow restart.	
SD	Contact input common (sink)	Common to the contact input terminals and terminal FM. Common output terminal for 24VDC 0.1A power (PC terminal).			
PC	24VDC power and external transistor common Contact input common (source)	When transistor output (open collector output), such as a programmable controller, is connected, connect the external power supply common for transistor output to this terminal to prevent a fault caused by undesirable current. This terminal can be used as a 24VDC, 0.1A power output. When source logic has been selected, this terminal serves as a contact input common.			

Type	Symbol	Terminal Name	Description		
Analog	Frequency setting	10E	Frequency setting power supply	10VDC, permissible load current 10mA	When the frequency setting potentiometer is connected in the factory-set state, connect it to terminal 10. When it is connected to terminal 10E, change the input specifications of terminal 2.
		10		5VDC, permissible load current 10mA	
		2	Frequency setting (voltage)	By entering 0 to 5VDC (0 to 10VDC), the maximum output frequency is reached at 5V (or 10V) and I/O are proportional. Switch between input 0 to 5VDC (factory setting) and 0 to 10VDC from the operation panel. Input resistance 10kΩ. Maximum permissible voltage 20V.	
		4	Frequency setting (current)	By entering 4 to 20mADC, the maximum output frequency is reached at 20mA and I/O is proportional. This input signal is valid only when the AU signal is on (The voltage input is made invalid.). Input resistance approximately 250Ω. Maximum permissible current 30mA.	
		1	Auxiliary frequency setting	By entering 0 to ±5VDC or 0 to ±10VDC, this signal is added to the frequency setting signal of terminal 2 or 4. Switch between input 0 to ±5VDC and 0 to ±10VDC (factory setting) from the operation panel. Input resistance 10kΩ. Maximum permissible voltage ±20V.	
		5	Frequency setting input common	Common to the frequency setting signal (terminal 2, 1 or 4) and analog output terminal AM. Do not earth (ground).	
Output signals	Contact	A, B, C	Alarm output	1 contact output indicating that the output has been stopped by the inverter protective function activated. 230VAC 0.3A, 30VDC 0.3A. Alarm: discontinuity across B-C (continuity across A-C), normal: continuity across B-C (discontinuity across A-C).	
		RUN	Inverter running	Switched low when the inverter output frequency is equal to or higher than the starting frequency (factory set to 0.5Hz, variable). Switched high during stop or DC injection brake operation (*1). Permissible load 24VDC 0.1A.	
	Open collector	SU	Up to frequency	Switched low when the output frequency has reached within ±10% of the set frequency (factory setting, variable). Switched high during acceleration, deceleration or stop (*1). Permissible load 24VDC 0.1A.	
		OL	Overload alarm	Switched low when the stall prevention function has caused stall prevention to be activated. Switched high when stall prevention is reset (*1). Permissible load 24VDC 0.1A.	
		IPF	Instantaneous power failure	Switched low when instantaneous power failure or undervoltage protection is activated (*1). Permissible load 24VDC 0.1A.	
		FU	Frequency detection	Switched low when the output frequency has reached or exceeded the detection frequency set as appropriate. Switched high when below the detection frequency (*1). Permissible load 24VDC 0.1A	
	SE	Open collector output common	Common to the RUN, SU, OL, IPF and FU terminals.		
	Pulse	FM	For meter	One selected from 16 monitoring items, such as output frequency, is output. (*2)	Factory setting of output item: Frequency permissible load current 2mA 1440 pulses/s at 60Hz
		AM	Analog signal output	The output signal is proportional to the magnitude of each monitoring item.	Factory setting of output item: Frequency output signal 0 to 10VDC Permissible load current 1mA
	Communication	RS-485	—	PU connector	With the operation panel connector, communication can be made through RS-485. <ul style="list-style-type: none"> • Conforming Standard : EIA Standard RS-485 • Transmission format : Multi-drop link • Communication speed: Maximum 19200bps • Overall length : 500m (1640.40feet)

*1: Low indicates that the open collector-outputting transistor is on (conducts). High indicates that the transistor is off (does not conduct).

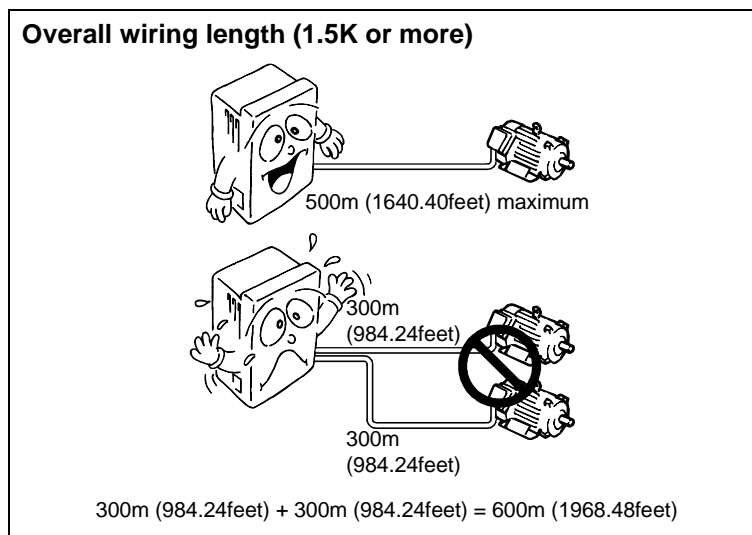
*2: Not output while the inverter is reset.

2.2.2 Wiring of the main circuit

(1) Wiring instructions

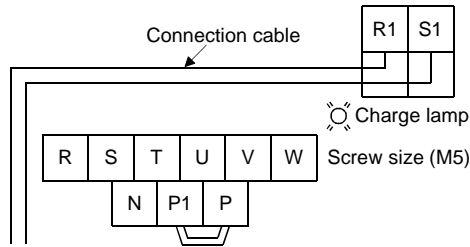
- 1) Crimping terminals with insulation sleeves are recommended for use with the power and motor cables.
- 2) Cut the protective bushes of the wiring cover when running the cables. (22K or less)
- 3) Power must not be applied to the output terminals (U, V, W) of the inverter. Otherwise the inverter will be damaged.
- 4) After wiring, wire off-cuts must not be left in the inverter.
Wire off-cuts can cause an alarm, failure or malfunction. Always keep the inverter clean.
When drilling mounting holes in a control box etc., exercise care to prevent chips and other foreign matter from entering the inverter.
- 5) Use cables of the recommended size for wiring to make the voltage drop 2% or less.
If the wiring distance is long between the inverter and motor, a main circuit cable voltage drop will cause the motor torque to decrease especially at the output of a low frequency. (The selection example at the wiring length of 20m (65.62feet) is given on 16 page.)
- 6) The overall wiring length should be 500m (1640.40feet) maximum.
Especially for long distance wiring, the overcurrent protection may be misactivated or the devices connected to the output side may misoperate or become faulty under the influence of a charging current due to the stray capacitance of the wiring. Therefore, the maximum overall wiring length should be as indicated in the following table. (When two or more motors are connected to the inverter, the total wiring length should be within the indicated value.)

Inverter Capacity	0.75K	1.5K or more
Non-low acoustic noise mode	500m (1640.40feet)	500m (1640.40feet)
Low acoustic noise mode	300m (984.24feet)	500m (1640.40feet)



- 7) Electromagnetic wave interference
The input/output (main circuit) of the inverter includes harmonic components, which may interfere with the communication devices (such as AM radios) used near the inverter. In this case, install the FR-BIF optional radio noise filter (for use in the input side only) or FR-BSF01 or FR-BLF line noise filter to minimize interference.
- 8) Do not install a power capacitor, surge suppressor or radio noise filter (FR-BIF option) in the output side of the inverter.
This will cause the inverter to trip or the capacitor and surge suppressor to be damaged. If any of the above devices are installed, immediately remove them. (If the FR-BIF radio noise filter is connected, switching power off during motor operation may result in E.UVT. In this case, connect the radio noise filter in the primary side of the electromagnetic contactor.)

- 9) When rewiring after operation, make sure that the POWER lamp has gone off, and when more than 10 minutes have elapsed after power-off, check with a meter that the voltage is zero. After that, start rewiring work. For some time after power-off, there is a dangerous voltage in the capacitor.
- 10) Use the space on the left-hand side of the main circuit terminal block to wire the cables for connection of the power supply terminals R1, S1 for the control circuit of the FR-F520-11K.



⚠ CAUTION

- ⚠ Do not use residual current protective device as the only protection against indirect contact.
Protective earth (ground) connection essential.
- ⚠ Do not connect more than 2 wires on the protective earth (ground) terminal.
- ⚠ Use contactor and no fuse breaker EN/IEC standard compliant.
- ⚠ Use transformer or surge absorber EN/IEC standard compliant.

Notes on Earthing (Grounding)

- Leakage currents flow in the inverter. To prevent an electric shock, the inverter and motor must be earthed (grounded).
- Use the dedicated earth (ground) terminal to earth (ground) the inverter. (Do not use the screw in the case, chassis, etc.)
- Use the thickest possible earth (ground) cable. Use the cable whose size is equal to or greater than that indicated below, and minimize the cable length. The earthing (grounding) point should be as near as possible to the inverter.
- Earth (Ground) the motor on the inverter side using one wire of the 4-core cable.

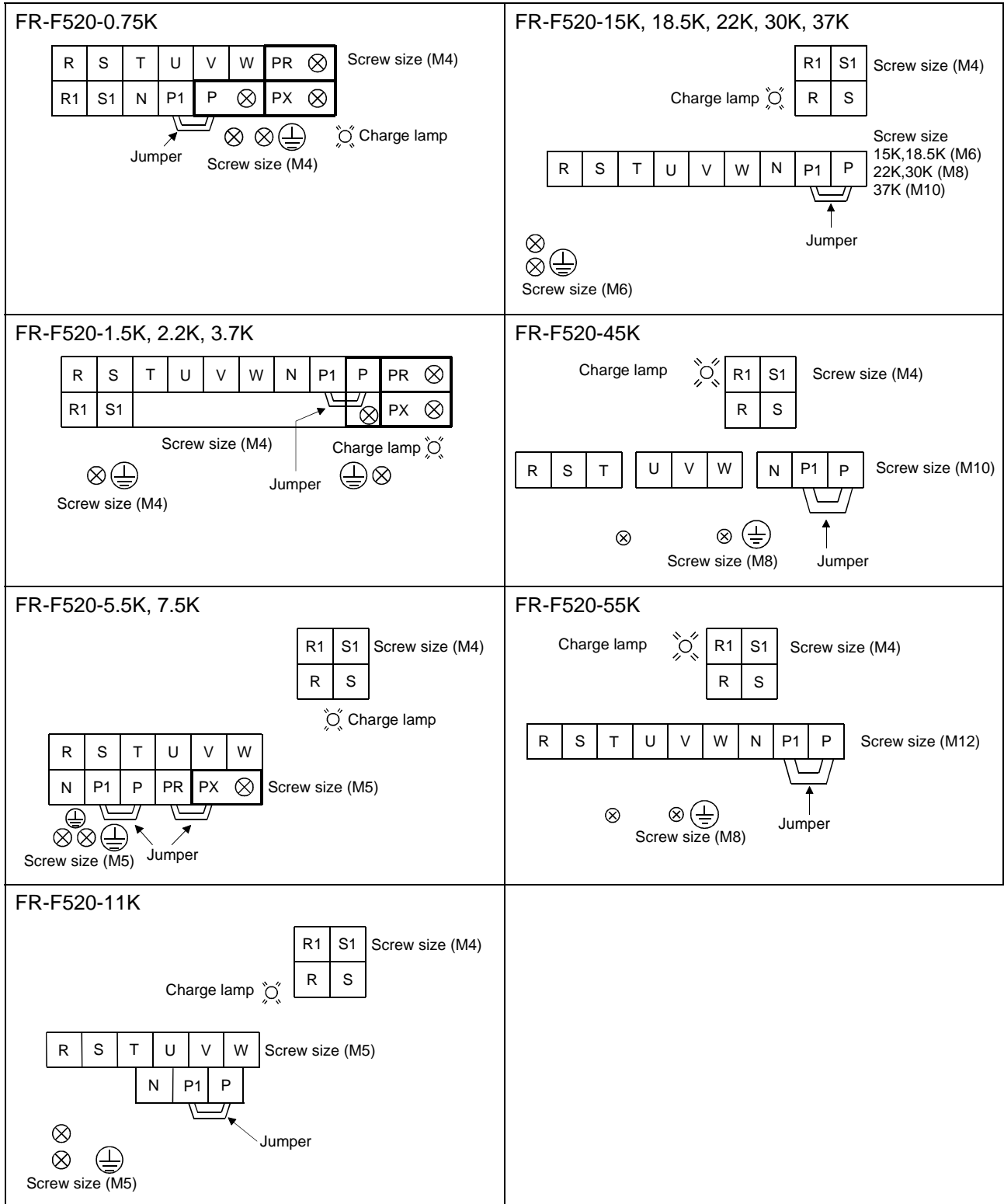
(Unit: mm²)

Motor Capacity	Earth (Ground) Cable Gauge	
	200V class	400V class
2.2 kW (3HP) or less	2	2
3.7 kW (5 HP)	3.5	2
5.5 kW, 7.5 kW (7.5 HP, 10 HP)	5.5	3.5
11 kW to 15 kW (15 to 20 HP)	14	8
18.5 kW to 37 kW (25 to 50 HP)	22	14
45 kW, 55 kW (60 HP, 75 HP)	38	22

(2) Terminal block layout

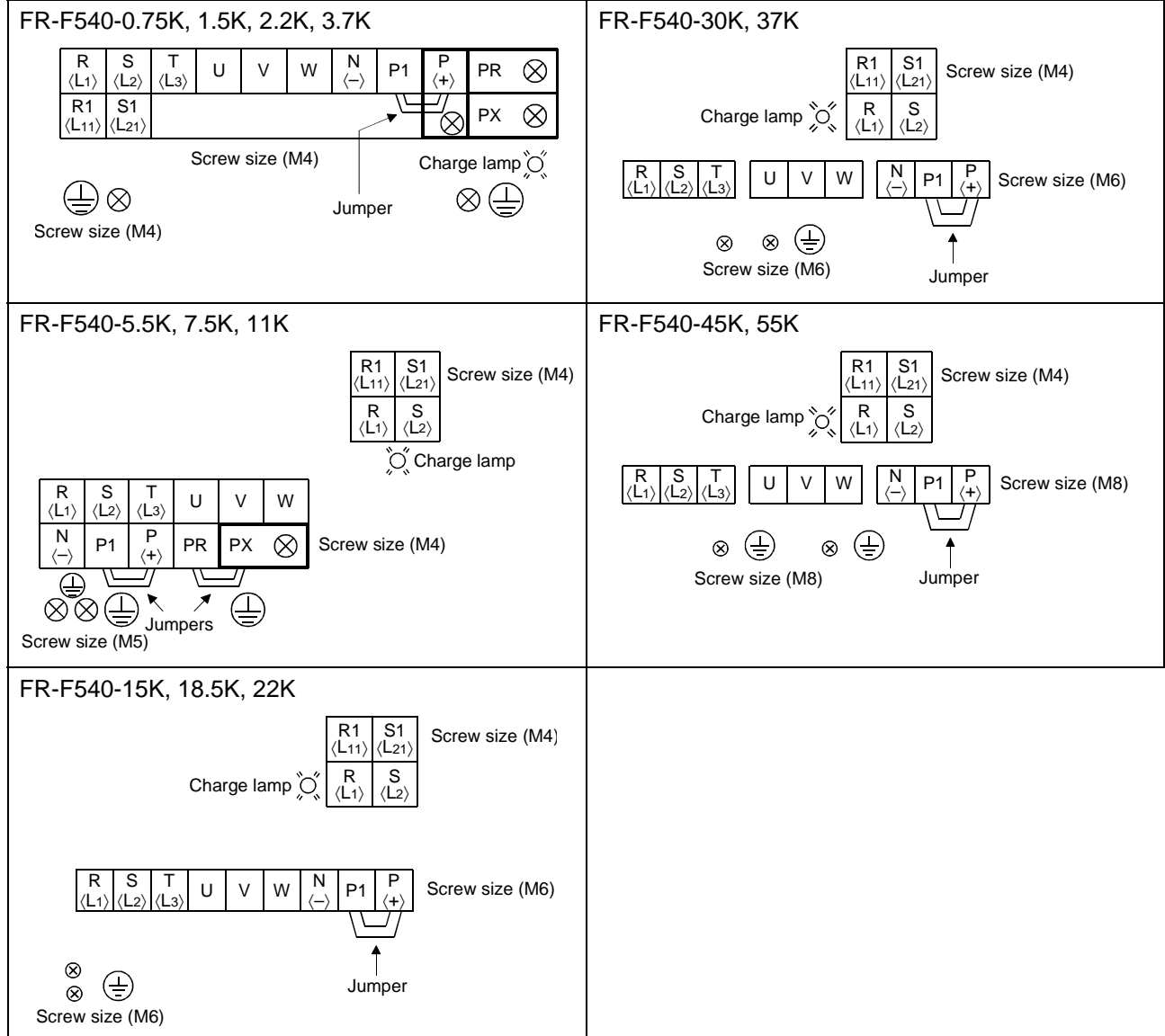
In the main circuit of the inverter, the terminals are arranged as shown below:

1) 200V class



2

2) 400V class



Note: () Terminal names in parentheses are those of the EC version.

(3) Cables, crimping terminals, etc.

The following table lists the cables and crimping terminals used with the inputs (R, S, T) (L₁, L₂, L₃) and outputs (U, V, W) of the inverter and the torques for tightening the screws:

• FR-F520-0.75K to 55K

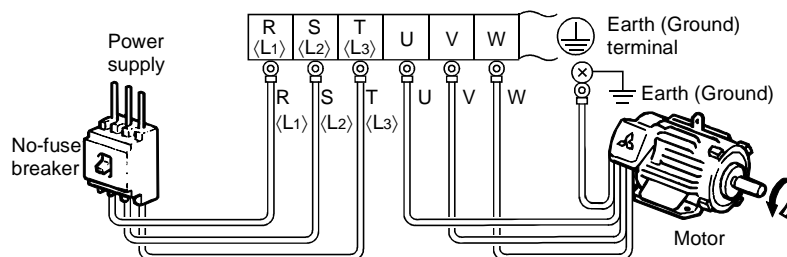
Applicable Inverter Type	Terminal Screw Size	Tightening Torque N·m	Crimping Terminals		HIV Cables (Note 1)				IEC Cables (Note 1)	
					mm ²		AWG		mm ²	
			R, S, T (L ₁ , L ₂ , L ₃)	U, V, W	R, S, T (L ₁ , L ₂ , L ₃)	U, V, W	R, S, T (L ₁ , L ₂ , L ₃)	U, V, W	R, S, T (L ₁ , L ₂ , L ₃)	U, V, W
FR-F520-0.75K to 2.2K	M4	1.5	2-4	2-4	2	2	14	14	2.5	2.5
FR-F520-3.7K	M4	1.5	5.5-4	5.5-4	3.5	3.5	12	12	4	2.5
FR-F520-5.5K	M5	2.5	5.5-5	5.5-5	5.5	5.5	10	10	6	4
FR-F520-7.5K	M5	2.5	14-5	8-5	14	8	6	8	16	6
FR-F520-11K	M5	2.5	14-5	14-5	14	14	6	6	16	10
FR-F520-15K	M6	4.4	22-6	22-6	22	22	4	4	35	16
FR-F520-18.5K	M6	4.4	38-6	38-6	38	38	2	2	35	25
FR-F520-22K	M8	7.8	38-8	38-8	38	38	2	2	35	35
FR-F520-30K	M8	7.8	60-8	60-8	60	60	1/0	1/0	50	50
FR-F520-37K	M10	14.7	80-10	80-10	80	80	3/0	3/0	70	70
FR-F520-45K	M10	14.7	100-10	100-10	100	100	4/0	4/0	—	—
FR-F520-55K	M12	24.5	150-12	150-12	150	150	MCM300	MCM300	—	—

• FR-F540-0.75K to 55K

Applicable Inverter Type	Terminal Screw Size	Tightening Torque N·m	Crimping Terminals		HIV Cables (Note 1)				IEC Cables (Note 1)	
					mm ²		AWG		mm ²	
			R, S, T (L ₁ , L ₂ , L ₃)	U, V, W	R, S, T (L ₁ , L ₂ , L ₃)	U, V, W	R, S, T (L ₁ , L ₂ , L ₃)	U, V, W	R, S, T (L ₁ , L ₂ , L ₃)	U, V, W
FR-F540-0.75K to 3.7K	M4	1.5	2-4 (2.5-4)	2-4 (2.5-4)	2	2	14	14	2.5	2.5
FR-F540-5.5K	M4	1.5	5.5-4 (4-4)	2-4 (2.5-4)	3.5	2	12	14	4	2.5
FR-F540-7.5K	M4	1.5	5.5-4 (4-4)	5.5-4 (4-4)	3.5	3.5	12	12	4	4
FR-F540-11K	M4	1.5	5.5-4 (4-4)	5.5-4 (4-4)	5.5	5.5	10	10	6	6
FR-F540-15K	M6	4.4	14-6 (16-6)	8-6 (10-6)	14	8	6	8	16	10
FR-F540-18.5K	M6	4.4	14-6 (16-6)	8-6 (10-6)	14	8	6	8	16	10
FR-F540-22K	M6	4.4	22-6 (25-6)	14-6 (16-6)	22	14	4	6	25	16
FR-F540-30K	M6	4.4	22-6 (25-6)	22-6 (25-6)	22	22	4	4	25	25
FR-F540-37K	M6	4.4	22-6 (25-6)	22-6 (25-6)	22	22	4	4	25	25
FR-F540-45K	M8	7.8	38-8 (50-8)	38-8 (35-8)	38	38	2	2	50	35
FR-F540-55K	M8	7.8	60-8 (50-8)	60-8 (50-8)	60	60	1/0	1/0	50	50

Note: 1. The cables used should be 75°C (167°F) copper cables.
 2. Tighten the terminal screws to the specified torques.
 Undertightening can cause a short or misoperation.
 Overtightening can cause the screws and unit to be damaged, resulting in a short or misoperation.

(4) Connection of the power supply and motor



The power supply cables must be connected to R, S, T (L₁, L₂, L₃).
 If they are connected to U, V, W, the inverter will be damaged.
 { Phase sequence need not be matched. }
 { For use with a single-phase power supply, the power supply cables must be connected to R and S (L₁ and L₂). }

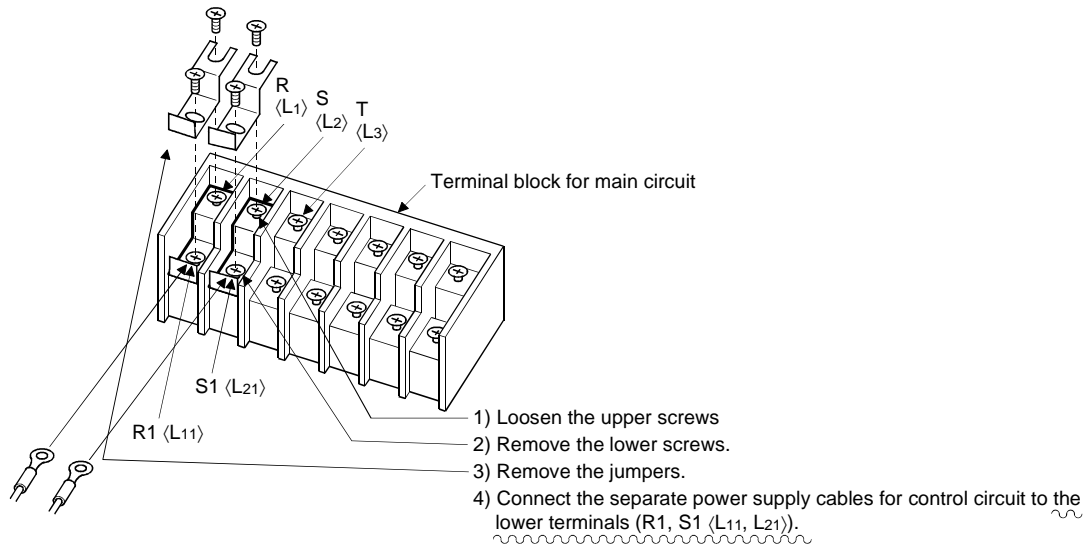
Connect the motor to U, V, W.
 In the above connection, turning on the forward rotation switch (signal) rotates the motor in the counterclockwise (arrow) direction when viewed from the load shaft.

(5) Connecting the control circuit to a power supply separately from the main circuit

If the magnetic contactor (MC) in the inverter power supply is opened when the protective circuit is operated, the inverter control circuit power is lost and the alarm output signal cannot be kept on. To keep the alarm signal on terminals R1 and S1 are available. In this case, connect the power supply terminals R1 and S1 (L11 and L21) of the control circuit to the primary side of the MC.

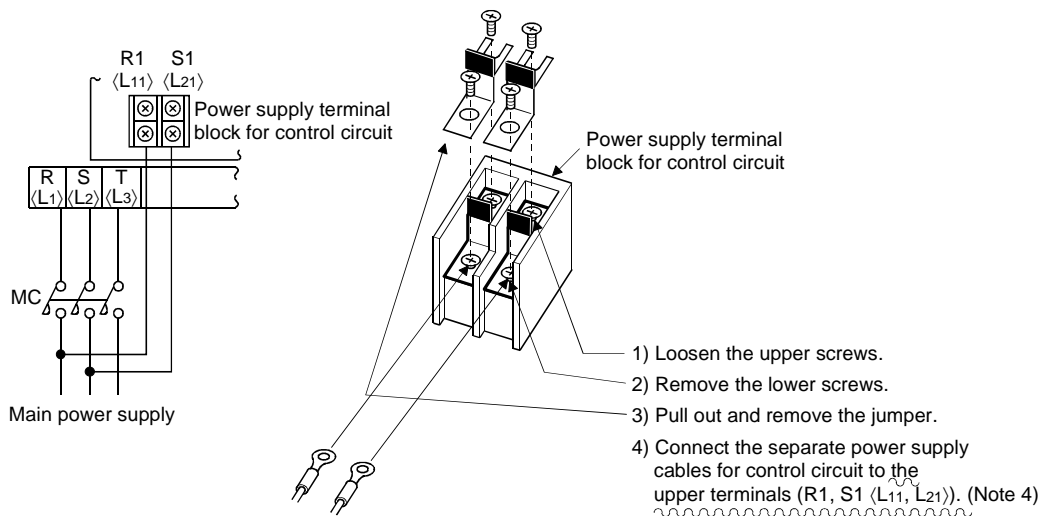
• Model FR-F520-0.75K to 3.7K, FR-F540-0.75K to 3.7K

<Connection procedure>



• Model FR-F520-5.5K to 55K, FR-F540-5.5K to 55K

<Connection procedure>



- Note:
1. When the main circuit power (R, S, T) (L1, L2, L3) is on, do not switch off the control power (terminals R1, S1 (L11, L21)). Otherwise the inverter may be damaged.
 2. When using a separate power supply, the jumpers across R-R1 and S-S1 (L1-L11 and L2-L21) must be removed. Otherwise the inverter may be damaged.
 3. For a different power supply system, which takes the power of the control circuit from other than the primary side of the MC, the voltage should be equal to the main circuit voltage.
 4. For the FR-F520-5.5K to 55K, FR-F540-5.5K to 55K, the power supply cables must not be connected to the lower terminals. If connected, the inverter may be damaged.
 5. Supplying power to only terminals R1 (L11) and S1 (L21) and entering the start signal will result in an error display (E.OC1).

2.2.3 Wiring of the control circuit

(1) Wiring instructions

- 1) Terminals 5, SD and SE are common to the I/O signals and isolated from each other. Do not earth (ground) these terminals. Avoid connecting the terminal SD and 5 and the terminal SE and 5.
- 2) Use shielded or twisted cables for connection to the control circuit terminals and run them away from the main and power circuits (including the 200V relay sequence circuit).
- 3) The frequency-input signals to the control circuit are micro currents. When contacts are required, use two or more parallel micro signal contacts or a twin contact to prevent a contact fault.
- 4) It is recommended to use the cables of 0.75mm² gauge for connection to the control circuit terminals. If the cable gauge used is 1.25mm² or more, the front cover may be lifted when there are many cables running or the cables are run improperly, resulting in an operation panel or parameter unit contact fault.

(2) Terminal block layout

•Japanese and NA version

In the control circuit of the inverter, the terminals are arranged as shown below:

Terminal screw size: M3.5

Tightening torque: 1.2 N·m

A	B	C	PC	AM	10E	10	2	5	4	1
	RL	RM	RH	RT	AU	STOP	MRS	RES	SD	FM
SE	RUN	SU	IPF	OL	FU	SD	STF	STR	JOG	CS

•EC version

Terminal screw size: M3.5

Tightening torque: 1.2 N·m

A	B	C	SD	AM	10E	10	2	5	4	1	RL	RM	RH	RT	AU
SE	RUN	SU	LPF	OL	FU	STOP	MRS	RES	PC	STF	STR	JOG	CS	FM	SD

(3) Changing the control logic

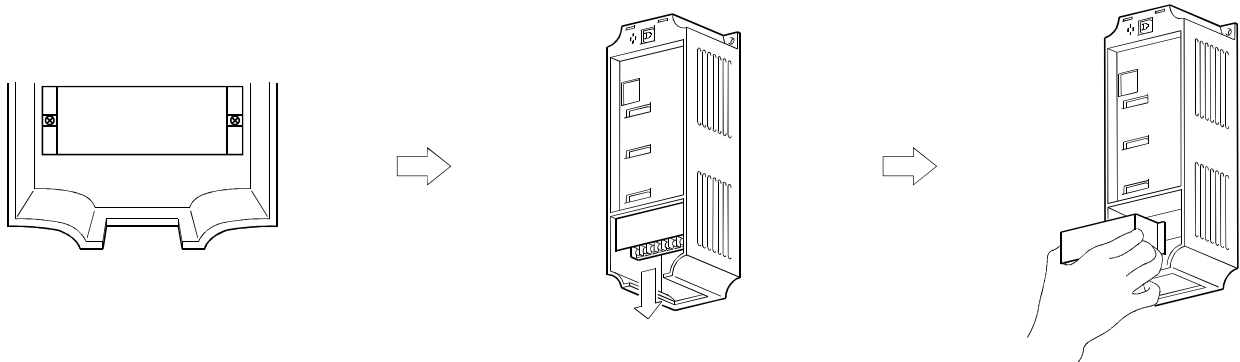
The input signals are set to sink logic for the Japanese and NA version, and to source logic for the EC version.

To change the control logic, the connector on the back of the control circuit terminal block must be moved to the other position.

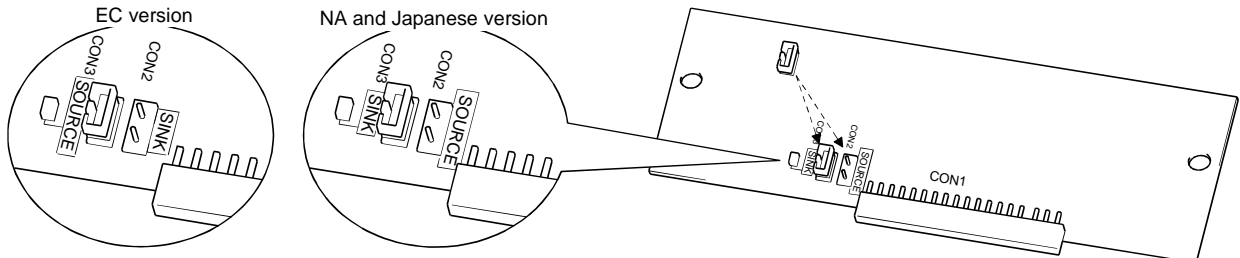
(The output signals may be used in either the sink or source logic independently of the jumper connector position.)

- 1) Loosen the two mounting screws in both ends of the control circuit terminal block. (The screws cannot be removed.)

Pull down the terminal block from the back of the control circuit terminals.



- 2) Remove the jumper connector from the rear surface of the control circuit terminal block and place in required Logic position (either Sink or Source).

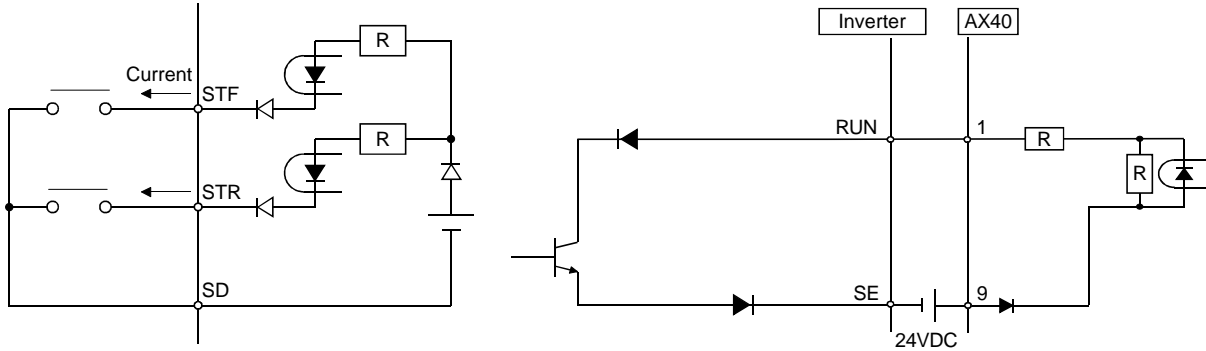


- 3) Using care not to bend the pins of the control circuit connector, reinstall the control circuit terminal block and fix it with the mounting screws.

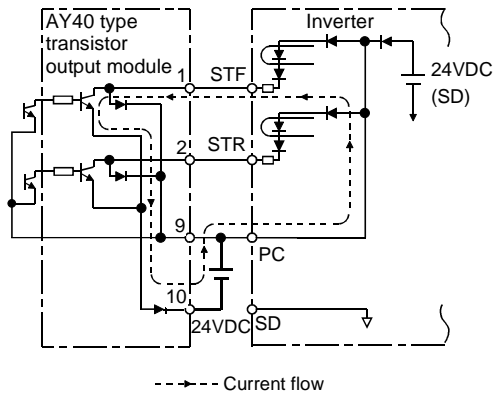
Note: 1. Make sure that the control circuit connector is fitted correctly.
 2. While power is on, never disconnect the control circuit terminal block.
 3. The sink-source logic change-over jumper connector must be fitted in only one of those positions. If it is fitted in both positions at the same time, the inverter may be damaged.

4) Sink logic type

- In this logic, a signal switches on when a current flows out of the corresponding signal input terminal. Terminal SD is common to the contact input signals. Terminal SE is common to the open collector output signals.

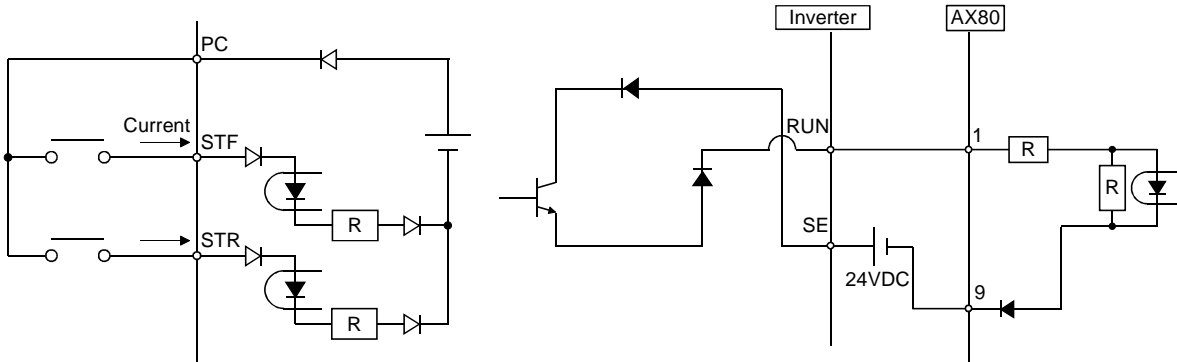


- When using an external power supply for transistor output, use terminal PC as a common to prevent misoperation caused by undesirable current. (Do not connect terminal SD of the inverter with terminal 0V of the external power supply. When using terminals PC-SD as a 24VDC power supply, do not install the power supply in parallel outside the inverter. Doing so may cause misoperation due to undesirable current.)

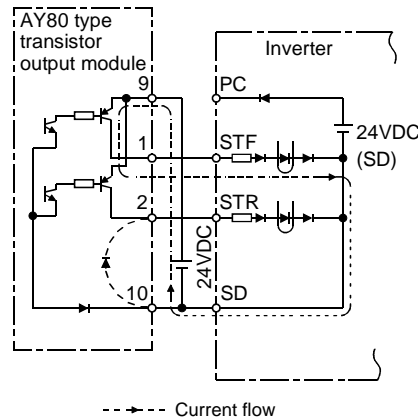


5) Source logic type

- In this logic, a signal switches on when a current flows into the corresponding signal input terminal. Terminal PC is common to the contact input signals. Terminal SE is common to the open collector output signals.



- When using an external power supply for transistor output, use terminal SD as a common to prevent misoperation caused by undesirable current.



(4) How to use terminals "STOP", "CS" and "PC"

1) Using the "STOP" terminal

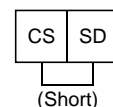
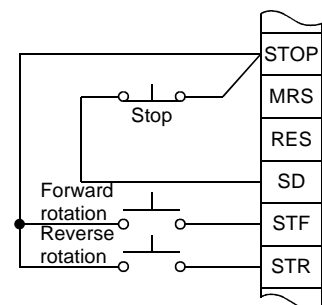
A connection example (for sink logic) for self-holding the start signal (forward rotation, reverse rotation) is shown on the right.

2) Using the "CS" terminal

This terminal is used to perform automatic restart after instantaneous power failure and commercial power supply-inverter switch-over operation.

<Example: Automatic restart after instantaneous power failure in sink logic>

Connect terminals CS-SD and set a value other than "9999" in Pr. 57 "coasting time for automatic restart after instantaneous power failure".



3) Using the "PC" terminal

This terminal can be used as 24VDC-power output using SD as a common terminal.

Specifications: 18V to 26VDC, 0.1A permissible currents

Note that the wiring length should be within 30m (98.43feet).

Do not short terminals PC-SD.

When terminal PC is used as a 24V power supply, leakage current from transistor output cannot be prevented.

2.2.4 Connection to the PU connector

(1) When connecting the operation panel or parameter unit using a connection cable

<Recommended cable connector>

- Parameter unit connection cable (FR-CB2□□) (option) or the following connector and cable.
- Connector: RJ45 connector
Example: 5-554720-3, Tyco Electronics Corporation
- Cable: Cable conforming to EIA568 (e.g. 10BASE-T cable)
Example: SGLPEV-T 0.5mm×4P (Twisted pair cable, 4 pairs), MITSUBISHI CABLE INDUSTRIES, LTD.

Note: The maximum wiring length is 20m (65.62feet).

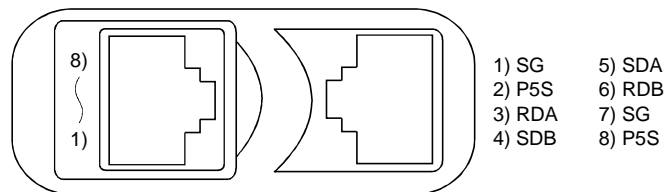
(2) For RS-485 communication

With the operation panel disconnected, the PU connector can be used for communication operation from a personal computer etc.

When the PU connector is connected with a personal, FA or other computer by a communication cable, a user program allows the inverter to be run and monitored and the parameter values to be read and written.

<PU connector pin-outs>

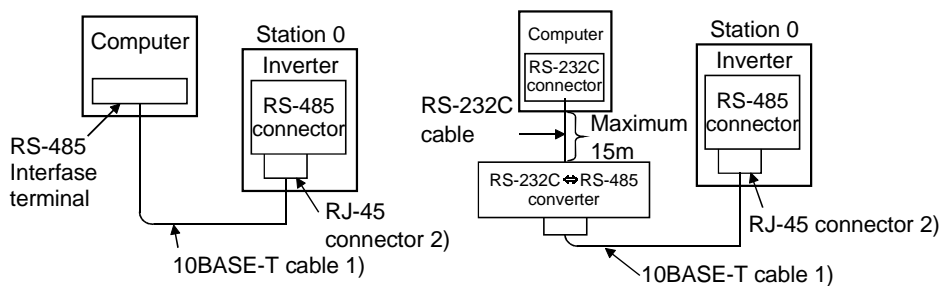
Viewed from the inverter (receptacle side) front



- Note: 1. Do not connect the PU connector to the computer's LAN board, FAX modem socket or telephone modular connector. Otherwise, the product may be damaged due to electrical specification differences.
2. Pins 2) and 8) (P5S) provide power to the operation panel or parameter unit. Do not use these pins for RS-485 communication.
3. Refer to page 111 for the communication parameters.

<System configuration example>

(1) Connection of a computer to the inverter (one-to-one connection)



• Computer - inverter connection cable

For a connection cable between the computer having RS-232C and the inverter (RS-232C ↔ RS-485 converter), refer to the table below.

Examples of commercially available products (as of July, '02)

Type	Maker
FA-T-RS40□*	Mitsubishi Electric Engineering Co., Ltd

* You can not connect multiple inverters with a converter cable (a computer and an inverter are one-to-one connection). As the RS-232C cable and the RS-483 cable (10BASE-T+RJ-45 connector) are provided with a product, no need to prepare a cable and a connector separately. Contact a maker for details of the product.

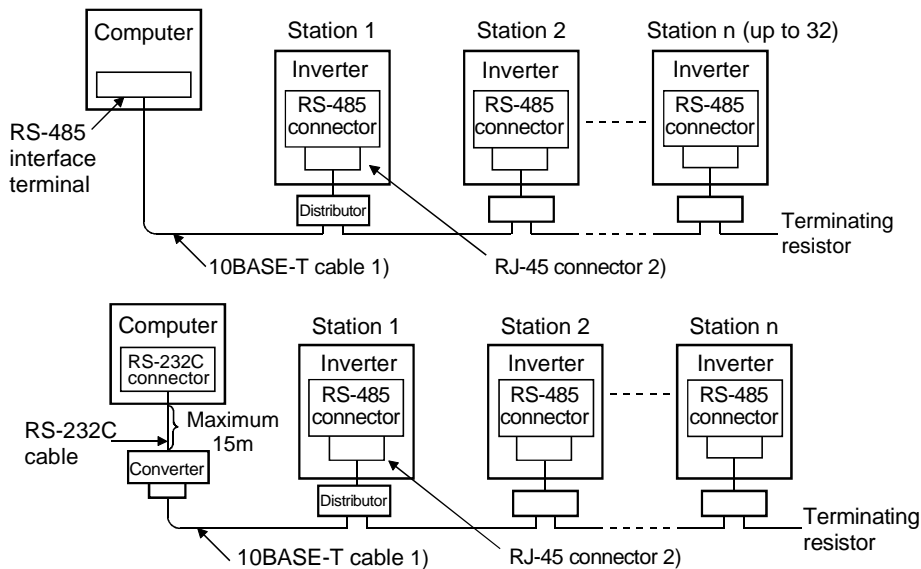
REMARKS

When fabricating the cable on the user side, see below.

Examples of commercially available products (as of July, '02)

	Product	Type	Maker
1)	10BASE-T cable	SGLPEV-T 0.5mm × 4P * Do not use No.2 and No.8 pin (P5S).	Mitsubishi Cable Industries, Ltd.
2)	RJ-45 connector	5-554720-3	Tyco Electronics Corporation

(2) Connection of a computer to multiple inverters (one-to-n connection)



REMARKS

When fabricating the cable on the user side, see below.

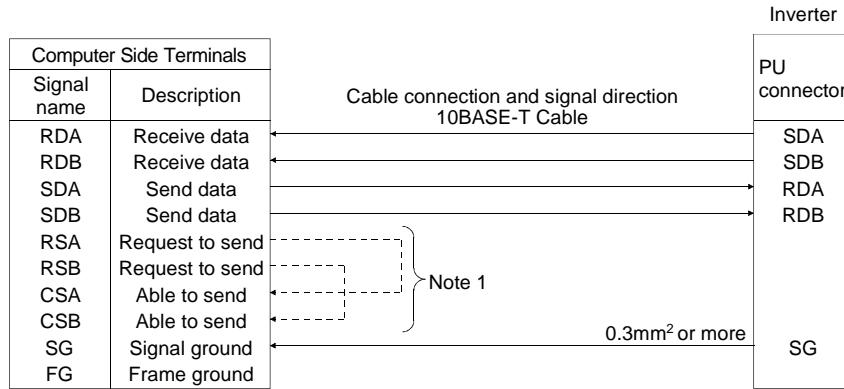
Examples of commercially available products (as of July, '02)

	Product	Type	Maker
1)	10BASE-T cable	SGLPEV-T 0.5mm × 4P *	Mitsubishi Cable Industries, Ltd.
2)	RJ-45 connector	5-554720-3	Tyco Electronics Corporation

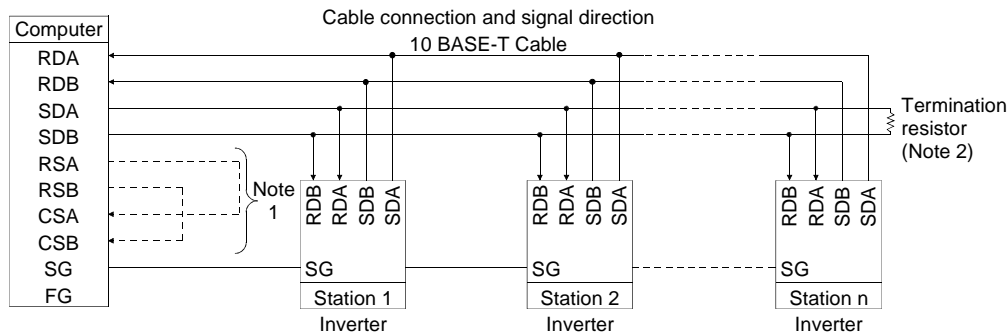
* Do not use No. 2 and No. 8 pin (P5S) of the 10 BASE-T cable.

<Wiring method>

1) Wiring of one RS-485 computer and one inverter



2) Wiring of one RS-485 computer and "n" inverters (several inverters)



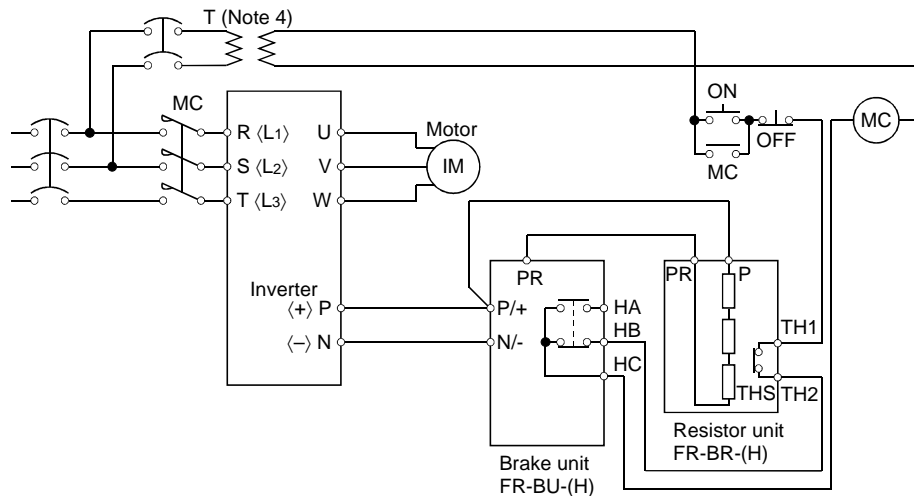
- Note: 1. Make connections in accordance with the instruction manual of the computer used. Fully check the terminal numbers of the computer as they differ between models.
2. There may be the influence of reflection depending on the transmission speed and/or transmission distance. If this reflection hinders communication, provide a terminal resistor. If the PU connector is used to make a connection, use a distributor as a terminal resistor cannot be fitted. Connect the terminal resistor only to the inverter remotest from the computer. (Terminal resistor: 100 Ω)

2.2.5 Connection of stand-alone option units

The inverter accepts a variety of stand-alone option units as required. Incorrect connection will cause inverter damage or accident. Connect and operate the option unit carefully in accordance with the corresponding option unit manual.

(1) Connection of the FR-BU brake unit (option)

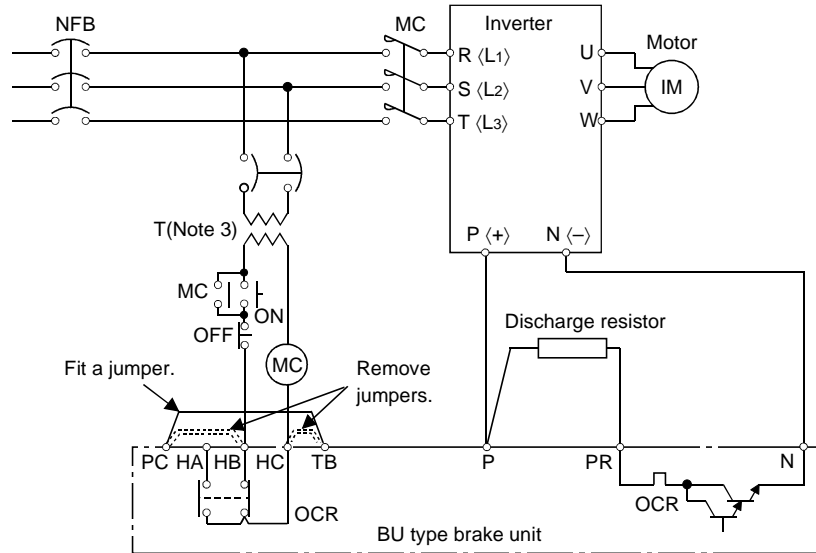
Connect the optional FR-BU brake unit as shown below to improve the braking capability during deceleration.



- Note: 1. Connect the inverter terminals (P, N) (+, -) and FR-BU brake unit terminals so that their terminal signals match with each other. (Incorrect connection will damage the inverter.)
2. The wiring distance between the inverter, brake unit and resistor unit should be within 5m (16.40feet). If twisted wires are used, the distance should be within 10m (32.81feet).
3. When the transistor in the brake unit fails, the brake transistor becomes extremely hot and it has a chance to get fire. Therefore, install a magnetic contactor on the inverter's power supply side to shut off a current in case of failure.
4. For the power supply of 400V class, install a voltage-reducing transformer.

(2) Connection of the conventional BU brake unit (option)

Connect the BU brake unit correctly as shown below. Incorrect connection will damage the inverter. Remove the jumpers from terminals HB-PC and TB-HC and fit a jumper across terminals PC-TB of the brake unit.

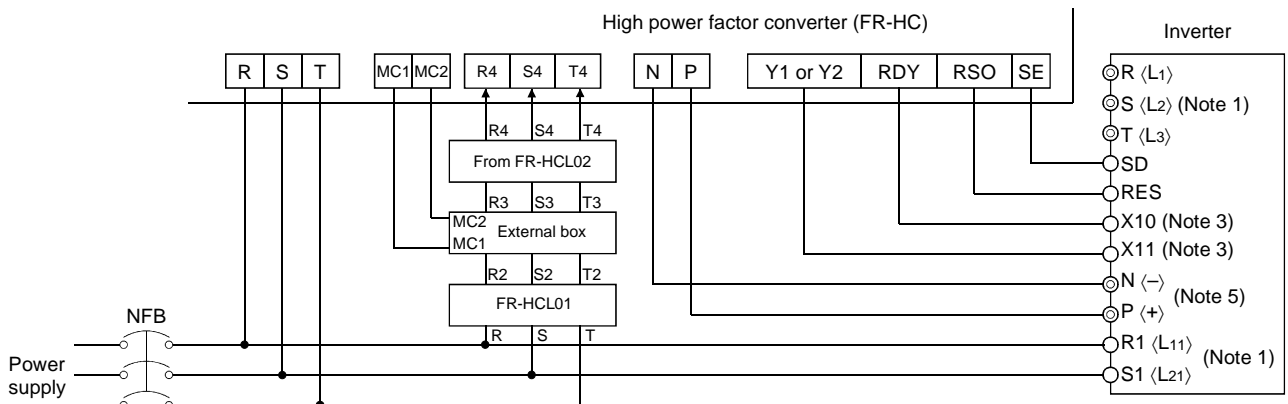


- Note: 1. The wiring distance between the inverter, brake unit and discharge resistor should be within 2m.
If twisted wires are used, the distance should be within 5m (16.40feet).
2. When the transistor in the brake unit fails, the brake transistor becomes extremely hot and it has a chance to get fire. Therefore, install a magnetic contactor on the inverter's power supply side to shut off current in case of failure.
3. For the power supply of 400V class, install a voltage-reducing transformer.

2

(3) Connection of the FR-HC high power factor converter (option)

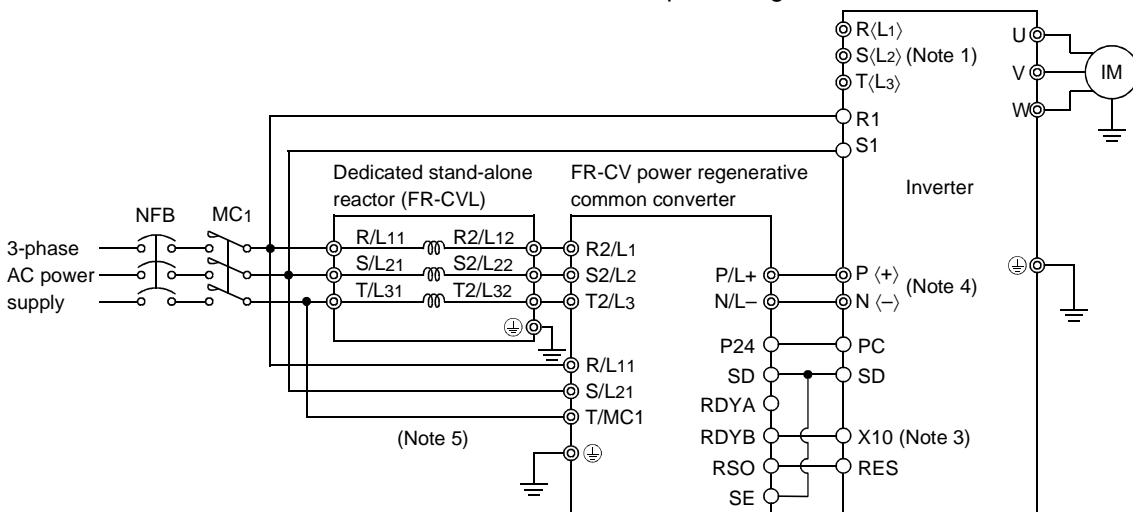
When connecting the high power factor converter (FR-HC) to suppress power harmonics, wire as shown below. Wrong connection will damage the high power factor converter and inverter. After making sure that the wiring is correct, set "2" in Pr. 30 "regenerative function selection".



- Note: 1. Remove the jumpers across terminals R-R1 and S-S1 <L1-L11 and L2-L21> of the inverter and connect the control circuit power supply to terminals R1-S1 <L11-L21>. The power input terminals R, S, T <L1, L2, L3> must be kept open. Accidental connection to these terminals will damage the inverter. Opposite polarity of terminals N, P <- , +> will also damage the inverter.
2. Always match the voltage phases of terminals R, S, T <L1, L2, L3> and terminals R4, S4, T4 before making connection.
3. Use Pr. 180 to Pr. 186 (input terminal function selection) to assign the terminals used for the X10 and X11 signals. Use the X11 signal when using the computer link plug-in option (FR-A5NR). (Refer to page 82)
4. When connecting the FR-HC, use sink logic (factory setting). For source logic, the FR-HC cannot be connected. (For the EC version, select the sink logic.)
5. Do not insert NFB between terminals P-N (P-P, N-N <+P, --N>).

(4) Connection of the power regeneration common converter (FR-CV)

When connecting the FR-CV power regeneration common converter, connect the inverter terminals (P/+, N/-) and FR-CV power regeneration common converter terminals as shown below so that their signals match with each other. After making sure that the wiring is correct, set "2" in Pr. 30 "regenerative function selection". For details, refer to the instruction manual of the FR-CV power regeneration common converter.



- Note: 1. Remove the jumpers across the R/L1-R1/L11 and S/L2-S1/L21 terminals of the inverter, and connect the control circuit power supply across the R1/L11-S1/L21 terminals. The power input terminals R/L1, S/L2, T/L3 must be open. Accidental connection will damage the inverter. Opposite polarity of terminals N/-, P/+ will damage the inverter.
2. The voltage phases of terminals R/L11, S/L21, T/MC1 and terminals R2/L1, S2/L2, T2/L3 must be matched before connection.
3. Use Pr. 180 to Pr. 186 (input terminal function selection) to assign the terminals used for the X10 signal. (Refer to page 140.)
4. Do not insert NFB between terminals P-N (P/L+-P, N/L--N)
5. Make sure terminals R/L11, S/L21, T/MC1 are connected to the power supply. Running the inverter without connecting these terminals will damage the power regeneration common converter.

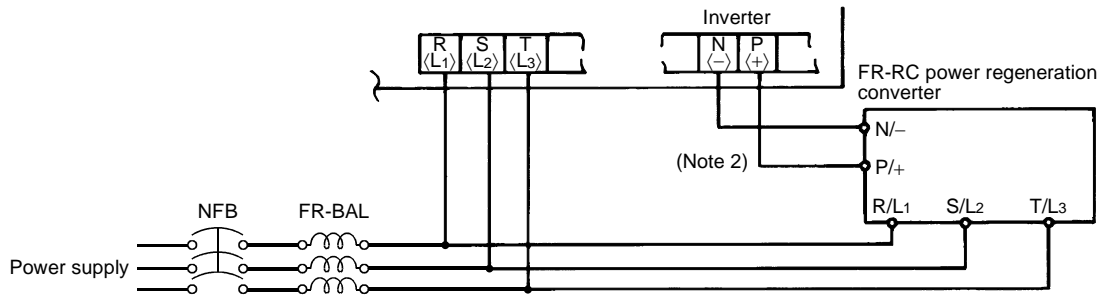
(5) Connection of the FR-RC power regeneration converter (option)

(For power coordination, always install the power factor-improving reactor (FR-BAL).)

When connecting the FR-RC power regeneration converter, connect the inverter terminals (P, N <+, ->) and FR-RC power regeneration converter terminals as shown below so that their signals match with each other.

After making sure that the wiring is correct, set "0" in Pr. 30 "regenerative function selection".

For details, refer to the FR-RC power regeneration converter manual.



Note: 1. How to connect the FR-BAL power factor improving AC reactor (option)

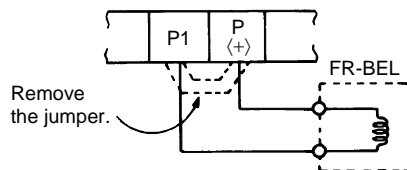
When using two or more inverters in the same system, small impedance between the inverters will cause a regenerative current from the power regeneration converter to leak into the other inverters, resulting in overcurrent alarm of the other inverters. To prevent this, install a power factor improving AC reactor on the power supply side for all the inverters.

2. Do not insert NFB between terminals P-N (P-P/+, N-N/- <+-P, --N>).

(6) Connection of the power factor improving DC reactor (option)

Connect the FR-BEL power factor improving DC reactor <Connection method>

reactor between terminals P1-P (P1- +). In this case, the jumper connected across terminals P1-P (P1- +) must be removed. Otherwise, the reactor will not function.

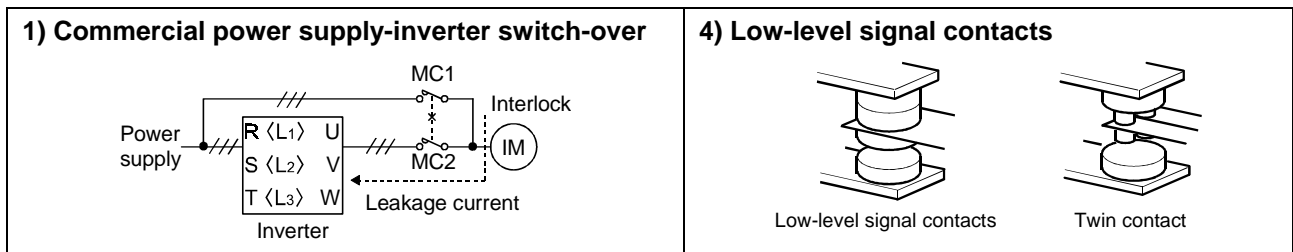


Note: 1. The wiring distance should be within 5m (16.40feet).

2. The size of the cables used should be equal to or larger than that of the power supply cables (R, S, T) (L1, L2, L3).

2.2.6 Design information

- 1) When performing commercial power supply-inverter switch-over operation, securely provide electrical and mechanical interlocks for MC1 and MC2 designed for commercial power supply-inverter switch-over.
When there is a commercial power supply-inverter switch-over circuit as shown below, the inverter will be damaged by leakage current from the power supply due to arcs generated at the time of switch-over or chattering caused by a sequence error.
- 2) If the machine must not be restarted when power is restored after a power failure, provide a magnetic contactor in the inverter's primary circuit and also make up a sequence, which will not switch on the start signal.
If the start signal (start switch) remains on after a power failure, the inverter will automatically restart as soon as the power is restored.
- 3) When the power supply used with the control circuit is different from the one used with the main circuit, make up a circuit which will switch off the main circuit power supply terminals R, S, T (L₁, L₂, L₃) when the power supply terminals R1, S1 (L₁₁, L₂₁) for the control circuit are switched off.
- 4) Since the input signals to the control circuit are on a low level, use two or more parallel micro signal contacts or a twin contact for contact inputs to prevent a contact fault.
- 5) Do not apply a large voltage to the contact input terminals (e.g. STF) of the control circuit.
- 6) Always apply a voltage to the alarm output terminals (A, B, C) via a relay coil, lamp etc.
- 7) Make sure that the specifications and rating match the system requirements.



2.3 Other wiring

2.3.1 Power harmonics

Power harmonics may be generated from the converter section of the inverter, affecting power supply equipment, power capacitors, etc. Power harmonics are different in generation source, frequency and transmission path from radio frequency (RF) noise and leakage currents. Take the following counter measures.

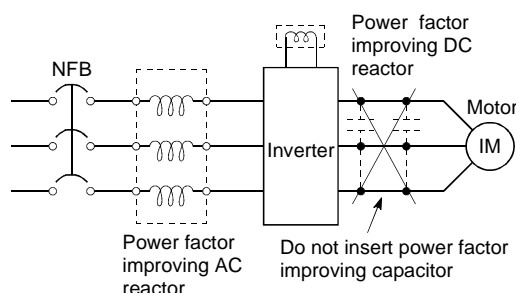
- The differences between harmonics and RF noise are indicated below:

Item	Harmonics	RF Noise
Frequency	Normally 40th to 50th degrees or less, (up to 3kHz or less)	High frequency (several 10kHz to 1GHz order)
Environment	To wire paths, power impedance	Across spaces, distance, laying paths
Quantitative understanding	Logical computation is possible	Occurs randomly, quantitative understanding is difficult.
Generated amount	Approximately proportional to load capacity	According to current fluctuation rate (larger with faster switching)
Immunity of affected device	Specified in standards for each device.	Differs according to maker's device specifications.
Example of safeguard	Install a reactor	Increase the distance.

- Safeguard

The harmonic current generated from the inverter to the power supply differs according to various conditions such as the wiring impedance, whether a power factor improving reactor is used or not, and output frequency and output current on the load side.

For the output frequency and output current, the adequate method is to obtain them under rated load at the maximum operating frequency.



Note: A power factor improving capacitor or surge suppressor on the inverter's output may overheat or be damaged due to the harmonics of the inverter output. Also, since the overcurrent protection is activated by an overcurrent that flows in the inverter, do not insert a capacitor or surge suppressor on the inverter's output when the motor is inverter-driven. To improve the power factor, insert a power factor improving reactor in the inverter's input or DC circuit. For details, refer to the technical information.

2.3.2 Japanese harmonic suppression guidelines

Harmonic currents flow from the inverter to a power receiving point via a power transformer. The harmonic suppression guidelines were established to protect other consumers from these outgoing harmonic currents.

1) "Harmonic suppression guideline for household appliances and general-purpose products"

This guideline was issued by Ministry of Economy, Trade and Industry (formerly Ministry of International Trade and Industry) in September, 1994 and applies to 200V class inverters of 3.7kW (5HP) and less. By installing the FR-BEL or FR-BAL power factor improving reactor, inverters comply with the "harmonic suppression techniques for transistorized inverters (input current 20A or less)" established by the Japan Electrical Manufacturers' Association. Therefore install the optional reactor for the 200V class, 3.7kW (5HP) or less inverter.

2) "Harmonic suppression guideline for specific consumers"

This guideline sets forth the maximum values of harmonic currents outgoing from a high-voltage or especially high-voltage consumer who will install, add or renew harmonic generating equipment. If any of the maximum values are exceeded, this guideline requires that consumer to take certain suppression measures.

Table 1 Maximum Values of Outgoing Harmonic Currents per 1kW Contract Power

Received Power Voltage	5th	7th	11th	13th	17th	19th	23rd	Over 23rd
6.6kV	3.5	2.5	1.6	1.3	1.0	0.9	0.76	0.70
22kV	1.8	1.3	0.82	0.69	0.53	0.47	0.39	0.36
33kV	1.2	0.86	0.55	0.46	0.35	0.32	0.26	0.24

(1) Application of the harmonic suppression guideline for specific consumers

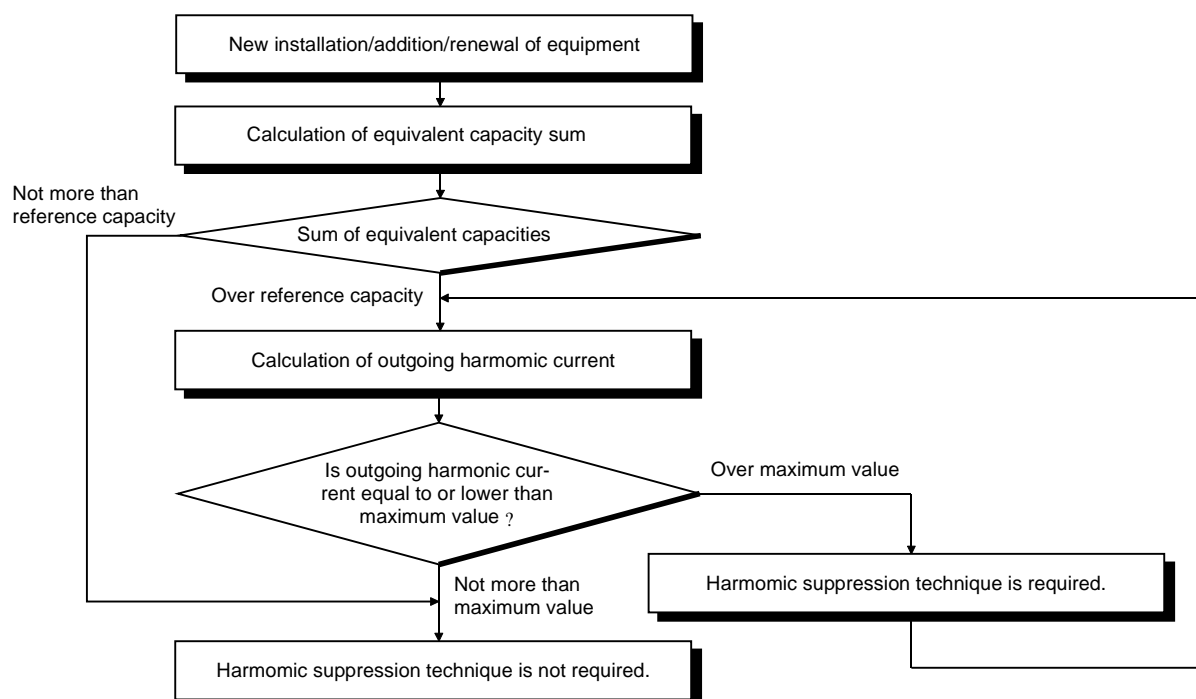


Table 2 Conversion Factors for FR-F500 Series

Class		Circuit Type	Conversion Factor Ki
3	3-phase bridge (Capacitor-smoothed)	Without reactor	K31 = 3.4
		With reactor (AC side)	K32 = 1.8
		With reactor (DC side)	K33 = 1.8
		With reactors (AC, DC sides)	K34 = 1.4
5	Self-exciting 3-phase bridge	When high power factor converter is used	K5 = 0

Table 3 Equivalent Capacity Limits

Received Power Voltage	Reference Capacity
6.6kV	50kVA
22/33kV	300kVA
66kV or more	2000kVA

Table 4 Harmonic Content (Values at the fundamental current of 100%)

Reactor	5th	7th	11th	13th	17th	19th	23rd	25th
Not used	65	41	8.5	7.7	4.3	3.1	2.6	1.8
Used (AC side)	38	14.5	7.4	3.4	3.2	1.9	1.7	1.3
Used (DC side)	30	13	8.4	5.0	4.7	3.2	3.0	2.2
Used (AC, DC sides)	28	9.1	7.2	4.1	3.2	2.4	1.6	1.4

1) Calculation of equivalent capacity (P0) of harmonic generating equipment

The “equivalent capacity” is the capacity of a 6-pulse converter converted from the capacity of consumer’s harmonic generating equipment and is calculated with the following equation. If the sum of equivalent capacities is higher than the limit in Table 3, harmonics must be calculated with the following procedure:

$$P0 = \sum (Ki \times Pi) \text{ [kVA]}$$

Ki: Conversion factor (refer to Table 2)

Pi: Rated capacity* of harmonic generating equipment [kVA]

i: Number indicating the conversion circuit type

* Rated capacity: Determined by the capacity of the applied motor and found in Table 5. It should be noted that the rated capacity used here is used to calculate generated harmonic amount and is different from the power supply capacity required for actual inverter drive.

2) Calculation of outgoing harmonic current

$$\text{Outgoing harmonic current} = \text{fundamental wave current (value converted from received power voltage)} \times \text{operation ratio} \times \text{harmonic content}$$

- Operation ratio: Operation ratio = actual load factor × operation time ratio during 30 minutes
- Harmonic content: Found in Table 4.

Table 5 Rated Capacities and Outgoing Harmonic Currents for Inverter Drive

Applied Motor (kW)	Rated Current [A]		Fundamental Wave Current Converted from 6.6kV (mA)	Rated Capacity (kVA)	Outgoing Harmonic Current Converted from 6.6kV (No reactor, 100% operation ratio)							
	200V	400V			5th	7th	11th	13th	17th	19th	23rd	25th
0.75	2.74 (Note)	1.37	83	0.97	53.95	34.03	7.055	6.391	3.569	2.573	2.158	1.494
1.5	5.50 (Note)	2.75	167	1.95	108.6	68.47	14.20	12.86	7.181	5.177	4.342	3.006
2.2	7.93 (Note)	3.96	240	2.81	156.0	98.40	20.40	18.48	10.32	7.440	6.240	4.320
3.7	13.0 (Note)	6.50	394	4.61	257.1	161.5	33.49	30.34	16.94	12.21	10.24	7.092
5.5	19.1	9.55	579	6.77	376.1	237.4	49.22	44.58	24.90	17.95	15.05	10.42
7.5	25.6	12.8	776	9.07	504.4	318.2	65.96	59.75	33.37	24.06	20.18	13.97
11	36.9	18.5	1121	13.1	728.7	459.6	95.29	86.32	48.20	34.75	29.15	20.18
15	49.8	24.9	1509	17.6	980.9	618.7	128.3	116.2	64.89	46.78	39.24	27.16
18.5	61.4	30.7	1860	21.8	1209	762.6	158.1	143.2	79.98	57.66	48.36	33.48
22	73.1	36.6	2220	25.9	1443	910.2	188.7	170.9	95.46	68.82	57.72	39.96
30	98.0	49.0	2970	34.7	1931	1218	252.5	228.7	127.7	92.07	77.22	53.46
37	121	60.4	3660	42.8	2379	1501	311.1	281.8	157.4	113.5	95.16	65.88
45	147	73.5	4450	52.1	2893	1825	378.3	342.7	191.4	138.0	115.7	80.10
55	180	89.9	5450	63.7	3543	2235	463.3	419.7	234.4	169.0	141.7	98.10

Note: The fundamental wave input currents are indicated because when a motor whose capacity is 3.7kW or less is driven by a more than 3.7kW inverter, e.g. when a 3.7kW motor is driven by a 5.5kW inverter, the transistorized inverter is not covered by the harmonic suppression guideline for household appliances and general-purpose products and must be included in the calculation of harmonic currents for the guideline.

3) Harmonic suppression technique requirement

If the outgoing harmonic current is higher than the maximum value per 1kW (contract power) × contract power, a harmonic suppression technique is required.



4) Harmonic suppression techniques

No.	Item	Description
1	Reactor installation (ACL, DCL)	Install a reactor (ACL) in the AC side of the inverter or a reactor (DCL) in its DC side or both to suppress outgoing harmonic currents.
2	High power factor converter (FR-HC)	The converter circuit is switched on-off to convert an input current waveform into a sine wave, suppressing harmonic currents substantially. The high power factor converter (FR-HC) is used with the standard accessory.
3	Installation of power factor improving capacitor	When used with a series reactor, the power factor improving capacitor has an effect of absorbing harmonic currents.
4	Transformer multi-phase operation	Use two transformers with a phase angle difference of 30° as in λ - Δ , Δ - Δ combination to provide an effect corresponding to 12 pulses, reducing low-degree harmonic currents.
5	AC filter	A capacitor and a reactor are used together to reduce impedance at specific frequencies, producing a great effect of absorbing harmonic currents.
6	Active filter	This filter detects the current of a circuit generating a harmonic current and generates a harmonic current equivalent to a difference between that current and a fundamental wave current to suppress a harmonic current at a detection point, providing a great effect of absorbing harmonic currents.

2.3.3 Inverter-generated noises and their reduction techniques

Some noises enter the inverter to malfunction it and others are radiated by the inverter to malfunction peripheral devices. Though the inverter is designed to be insusceptible to noise, it handles low-level signals, so it requires the following basic measures to be taken. Also, since the inverter chops the outputs at high carrier frequency, that could generate noise. If these noises cause peripheral devices to malfunction, measures should be taken to suppress the noise. The measures differ slightly depending on noise propagation paths.

1) Basic measures

- Do not run the power cables (I/O cables) and signal cables of the inverter in parallel with each other and do not bundle them.
- Use twisted pair shielded cables for the detector connection and control signal cables and connect the sheathes of the shielded cables to terminal SD.
- Earth (Ground) the inverter, motor, etc. at one point.

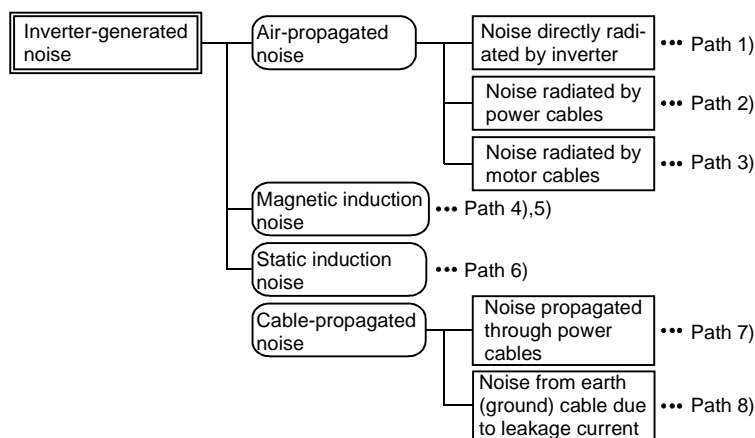
2) Measures against noises which enter and cause misoperation of the inverter

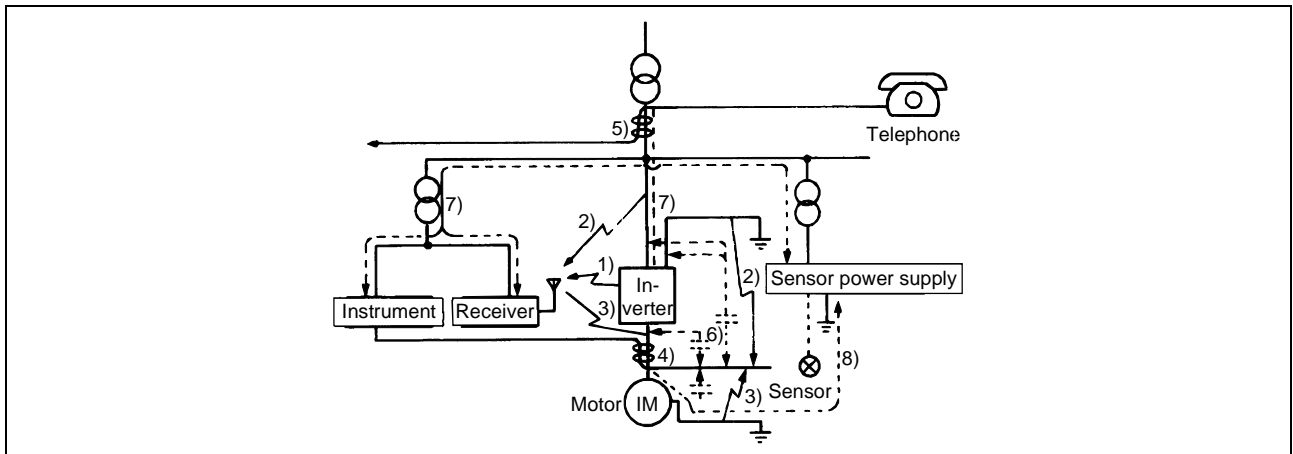
When devices which generate many noises (which use magnetic contactors, magnetic brakes, many relays, for example) are installed near the inverter and the inverter may be effected by noises, the following measures must be taken:

- Provide surge suppressors for devices that generate many noises to suppress noises.
- Fit data line filters (refer to page 35) to signal cables.
- Earth (Ground) the shields of the detector connection and control signal cables with cable clamp metal.

3) Techniques to reduce noises that are radiated by the inverter to malfunction peripheral devices.

Inverter-generated noises are largely classified into those radiated by the cables connected to the inverter and inverter main circuit (I/O), those electromagnetically and electrostatically inducted to the signal cables of the peripheral devices close to the main circuit power supply, and those transmitted through the power supply cables.





Noise Path	Measures
1) 2) 3)	<p>When devices that handle low-level signals and are liable to malfunction due to noises, e.g. instruments, receivers and sensors, are contained in the enclosure that contains the inverter or when their signal cables are run near the inverter, the devices may be malfunctioned by air-propagated noises. The following measures must be taken:</p> <ol style="list-style-type: none"> (1) Install easily affected devices as far away as possible from the inverter. (2) Run easily affected signal cables as far away as possible from the inverter. (3) Do not run the signal cables and power cables (inverter I/O cables) in parallel with each other and do not bundle them. (4) Inset line noise filters into I/O and radio noise filters into input side to suppress cable-radiated noises. (5) Use shielded cables for signal cables and power cables and run them in individual metal conduits to reduce further effects.
4) 5) 6)	<p>When the signal cables are run in parallel with or bundled with the power cables, magnetic and static induction noises may be propagated to the signal cables to malfunction the devices and the following measures must be taken:</p> <ol style="list-style-type: none"> (1) Install easily affected devices as far away as possible from the inverter. (2) Run easily affected signal cables as far away as possible from the inverter. (3) Do not run the signal cables and power cables (inverter I/O cables) in parallel with each other and do not bundle them. (4) Use shielded cables for signal cables and power cables and run them in individual metal conduits to reduce further effects.
7)	<p>When the power supplies of the peripheral devices are connected to the power supply of the inverter within the same line, inverter-generated noise may flow back through the power supply cables to misoperate the devices and the following measures must be taken:</p> <ol style="list-style-type: none"> (1) Install the radio noise filter (FR-BIF) to the power cables (input cables) of the inverter. (2) Install the line noise filter (FR-BLF, FR-BSF01) to the power cables (I/O cables) of the inverter.
8)	<p>When a closed loop circuit is formed by connecting the peripheral device wiring to the inverter, leakage current may flow through the earth (ground) cable of the inverter to affect the device. In such a case, disconnection of the earth (ground) cable of the device may cause the device to operate properly.</p>

• **Data line filter**

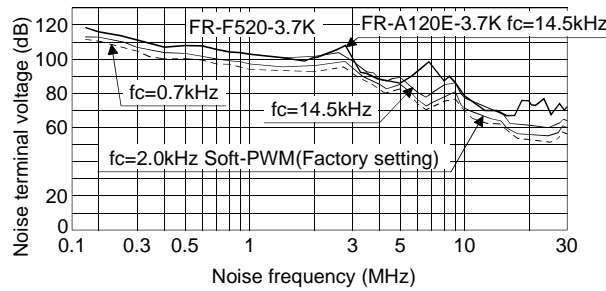
Noise entry can be prevented by providing a data line filter for the detector cable etc.

• Data examples

By decreasing the carrier frequency, the noise terminal voltage* can be reduced. Use Pr. 72 to set the carrier frequency to a low value (1kHz). Though motor noise increases at a low carrier frequency, selection of Soft-PWM in Pr. 240 will make it unoffending.

Differences between Noise Terminal Voltages at Different Carrier Frequencies

Conditions
 • Motor: 3.7kW (5HP)
 • Average terminal voltage [0dB=1μV
 120dB=1V]



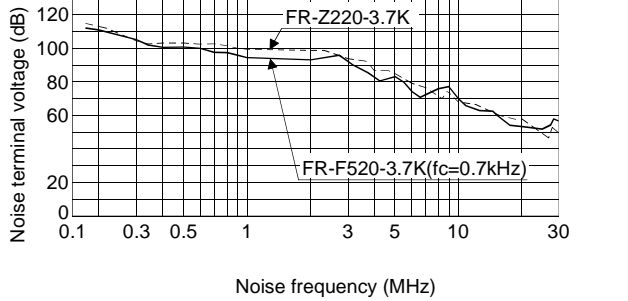
By decreasing the carrier frequency, noise will be about as low as that of our conventional FR-Z200 series.

By using shielded cables as signal cables, induction noise can be reduced greatly (to 1/10 - 1/100). Induction noise can also be reduced by moving the signal cables away from the inverter output cables. (Separation of 30cm (11.81inches) reduces noise to 1/2-1/3.)

By fitting the FR-BSF01 or BLF on the inverter output side, induction noise to the signal cables can be reduced.

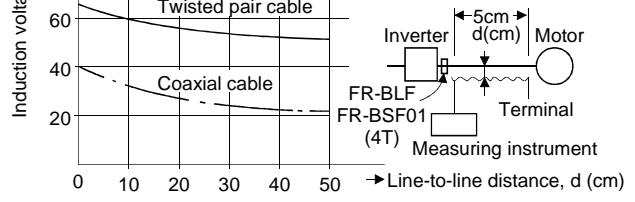
Noise Terminal Voltage of Inverter and Example of Its Reduction by Noise Filters

Conditions
 • Motor:3.7kW (5HP)
 • Average terminal voltage [0dB=1μV
 120dB=1V]



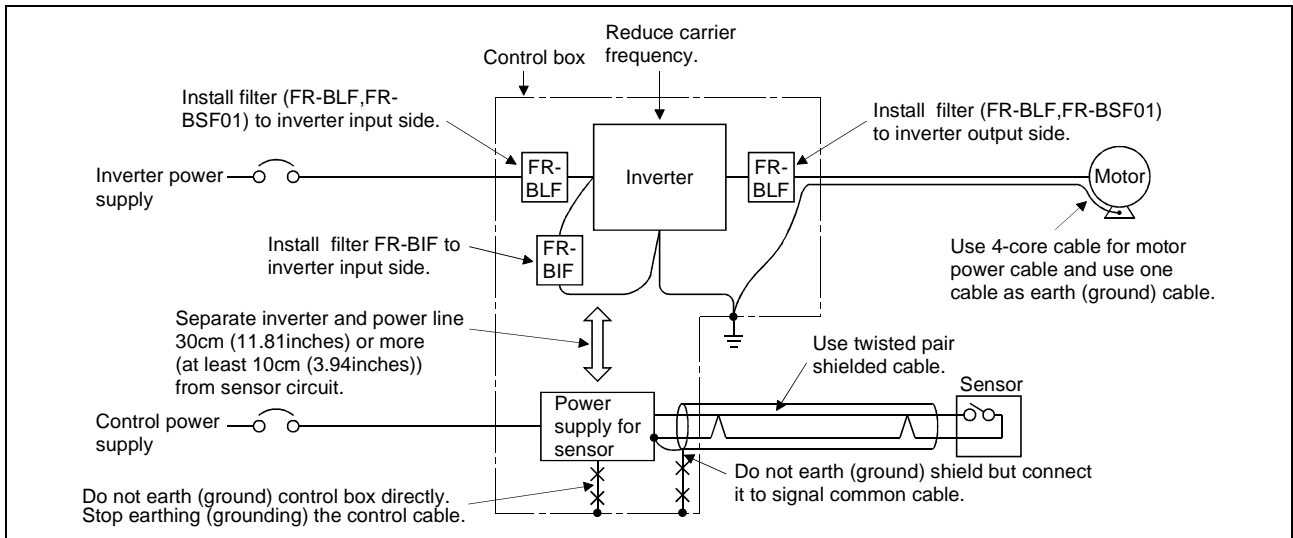
Noise Induced to Signal Cables by Inverter Output Cables

Conditions
 • Inverter: FR-F520-3.7K
 • Motor: SF-JR 4P 3.7kW (5HP)
 • Output frequency: 30Hz
 • Noise form: Normal mode



*Noise terminal voltage: Represents the magnitude of noise propagated from the inverter to the power supply.

● Example of counter measures against noise



2.3.4 Leakage currents and countermeasures

Leakage currents flow through static capacitances existing in the inverter I/O wiring and motor. Since their values depend on the static capacitances, carrier frequency, etc., take the following measures.

(1) To-earth (ground) leakage currents

Leakage currents may flow not only into the inverter's own line but also into the other line through the earth (ground) cable, etc. These leakage currents may operate earth (ground) leakage circuit breakers and earth (ground) leakage relays unnecessarily.

● Countermeasures

- Decrease the carrier frequency (Pr. 72) of the inverter.
Note that motor noise increases. Selection of Soft-PWM (Pr. 240) will make it unoffending.
- By using earth leakage circuit breakers designed for harmonics and surge suppression in the inverter's own line and other line, operation can be performed with the carrier frequency kept high (with low noise).

● To-ground leakage current

- Note that a long wiring length will increase leakage currents. Decrease the carrier frequency of the inverter to reduce leakage currents.
- Higher motor capacity leads to larger leakage currents. Larger leakage currents occur in 400V class than in 200V class.

(2) Line-to-line leakage currents

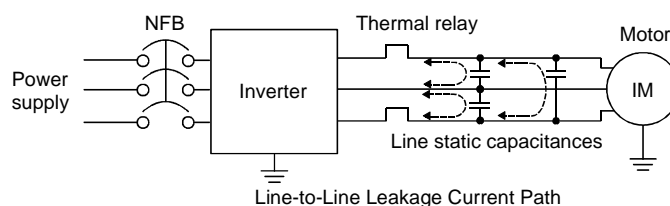
Harmonics of leakage currents flowing in static capacities between the inverter output cables might operate the external thermal relay unnecessarily. When the wiring length is long (50m (164.04feet) or more) for the 400V class small-capacity model (7.5kW (10HP) or less), the external thermal relay is likely to operate unnecessarily because the ratio of the leakage current to the rated motor current increases.

• Line-to-Line Leakage Current Data Example (200V class)

Motor Capacity (kW (HP))	Rated Motor Current (A)	Leakage Current (mA)	
		Wiring length 50m (164.04feet)	Wiring length 100m (328.08feet)
0.4 (1/2)	1.8	310	500
0.75 (1)	3.2	340	530
1.5 (2)	5.8	370	560
2.2 (3)	8.1	400	590
3.7 (5)	12.8	440	630
5.5 (7.5)	19.4	490	680
7.5 (10)	25.6	535	725

Motor: SF-JR 4P
Carrier frequency: 14.5kHz
Cable used: 2mm² 4-core cable

*The leakage current of the 400V class will be approximately twice that of the 200V class.



• Countermeasures

- Use the electronic overcurrent protection (Pr. 9) of the inverter.
- Decrease the carrier frequency. Note that motor noise increases. Selection of Soft-PWM (Pr. 240) will make it unoffending.

To ensure that the motor is protected against line-to-line leakage currents, it is recommended to use a temperature sensor to directly detect motor temperature.

2.3.5 Inverter-driven 400V class motor

In the PWM type inverter, a surge voltage attributable to wiring constants is generated at the motor terminals. Especially for a 400V class motor, the surge voltage may deteriorate the insulation. When the 400V class motor is driven by the inverter, consider the following measures:

• Measures

It is recommended to take either of the following measures:

(1) Rectifying the motor insulation

For the 400V class motor, use an insulation-rectified motor. Specifically,

- 1) Specify the “400V class inverter-driven, insulation-rectified motor”.
- 2) For the dedicated motor such as the constant-torque motor and low-vibration motor, use the “inverter-driven, dedicated motor”.

(2) Suppressing the surge voltage on the inverter side

On the secondary side of the inverter, connect the optional surge voltage suppression filter (FR-ASF-H).

2.3.6 Peripheral devices

(1) Selection of peripheral devices

Check the capacity of the motor to be used with the inverter you purchased. Appropriate peripheral devices must be selected according to the capacity.

Refer to the following list and prepare appropriate peripheral devices:

1) 200V class

Inverter Type	Motor Output (kW (HP))	Power Supply Capacity (kVA)	Rated current of Circuit Breaker (Note 1)		Magnetic Contactor
			Standard	With power factor improving reactor	
FR-F520-0.75K	0.75 (1)	2.1	30AF 10A	30AF 10A	S-N10
FR-F520-1.5K	1.5 (2)	4.0	30AF 15A	30AF 15A	S-N10
FR-F520-2.2K	2.2 (3)	4.8	30AF 20A	30AF 15A	S-N10
FR-F520-3.7K	3.7 (5)	8	30AF 30A	30AF 30A	S-N20, S-N21
FR-F520-5.5K	5.5 (7.5)	11.5	50AF 50A	50AF 40A	S-N25
FR-F520-7.5K	7.5 (10)	16	100AF 60A	50AF 50A	S-N35
FR-F520-11K	11 (15)	20	100AF 75A	100AF 75A	S-N50
FR-F520-15K	15 (20)	27	225AF 125A	100AF 100A	S-N65
FR-F520-18.5K	18.5 (25)	32	225AF 150A	225AF 125A	S-N80
FR-F520-22K	22 (30)	41	225AF 175A	225AF 150A	S-N95
FR-F520-30K	30 (40)	52	225AF 225A	225AF 175A	S-N125
FR-F520-37K	37 (50)	65	400AF 250A	225AF 225A	S-N150
FR-F520-45K	45 (60)	79	400AF 300A	400AF 300A	S-N180
FR-F520-55K	55 (75)	99	400AF 400A	400AF 350A	S-N220

2) 400V class

Inverter Type	Motor Output (kW (HP))	Power Supply Capacity (kVA)	Rated current of Circuit Breaker (Note 1)		Magnetic Contactor
			Standard	With power factor improving reactor	
FR-F540-0.75K	0.75 (1)	2.1	30AF 5A	30AF 5A	S-N10
FR-F540-1.5K	1.5 (2)	4.0	30AF 10A	30AF 10A	S-N10
FR-F540-2.2K	2.2 (3)	4.8	30AF 15A	30AF 10A	S-N10
FR-F540-3.7K	3.7 (5)	8	30AF 20A	30AF 15A	S-N20, S-N21
FR-F540-5.5K	5.5 (7.5)	11.5	30AF 30A	30AF 20A	S-N20, S-N21
FR-F540-7.5K	7.5 (10)	16	30AF 30A	30AF 30A	S-N20, S-N21
FR-F540-11K	11 (15)	20	50AF 50A	50AF 40A	S-N20, (N25) (Note 4)
FR-F540-15K	15 (20)	27	100AF 60A	50AF 50A	S-N25, (N35) (Note 4)
FR-F540-18.5K	18.5 (25)	32	100AF 75A	100AF 60A	S-N35, (N50) (Note 4)
FR-F540-22K	22 (30)	41	100AF 100A	100AF 75A	S-N50
FR-F540-30K	30 (40)	52	225AF 125A	100AF 100A	S-N65
FR-F540-37K	37 (50)	65	225AF 150A	225AF 125A	S-N80
FR-F540-45K	45 (60)	79	225AF 175A	225AF 150A	S-N80, (N95) (Note 4)
FR-F540-55K	55 (75)	99	225AF 200A	225AF 175A	S-N125

Note: 1. Install the NFB according to the inverter capacity(motor capacity).

2. When the breaker on the inverter primary side trips, check for the wiring fault (short circuit), damage of the inner parts of the inverter, etc. Identify the cause of the trip, then remove the cause and power on the breaker.

3. For installations in the United States or Canada, the circuit breaker must be inverse time or instantaneous trip type.

4. Select a magnetic contactor indicated in parenthesis to use it for emergency stop during inverter driving.

(2) Selection of the rated sensitivity current for the earth leakage circuit breaker

When using the earth leakage circuit breaker with the inverter circuit, select its rated sensitivity current as follows, independent of the carrier frequency setting:

- Breaker for harmonic and surge

Rated sensitivity current:

$$I\Delta n \geq 10 \times (I_{g1} + I_{gn} + I_{g2} + I_{gm})$$

- Standard breaker

Rated sensitivity current:

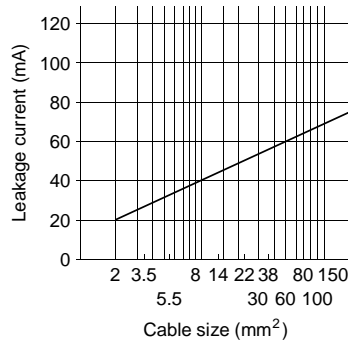
$$I\Delta n \geq 10 \times \{I_{g1} + I_{gn} + 3 \times (I_{g2} + I_{gm})\}$$

I_{g1} , I_{g2} : leakage currents of cable path during commercial power supply operation

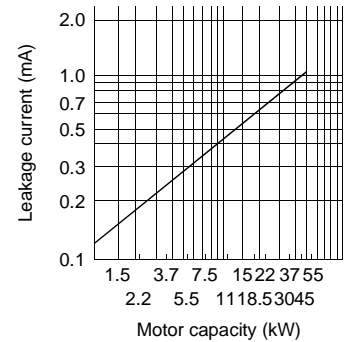
I_{gn}^* : leakage current of noise filter on inverter input side

I_{gm} : leakage current of motor during commercial power supply operation

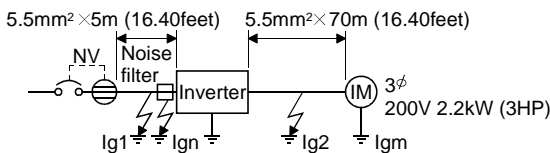
Example of leakage current per 1km for commercial power supply operation when CV cable is routed in metal conduit (200V 60Hz)



Leakage current example of 3-phase induction motor during commercial power supply operation (200V 60Hz)



<Example>



- Note
1. The NV should be installed to the primary (power supply) side of the inverter.
 2. Ground fault in the secondary side of the inverter can be detected at the running frequency of 120Hz or lower.
 3. In the Δ connection neutral point earthing (grounding) system, the sensitivity current is purified against an earth (ground) fault on the inverter secondary side. Earthing (grounding) must be conform to the requirements of national and local safety regulations and electrical code. (JIS, NEC section 250, IEC 536 class 1 and other applicable standards)
 4. When the breaker is installed on the secondary side of the inverter, it may be unnecessarily operated by harmonics if the effective value is less than the rating. In this case, do not install it since the eddy current, hysteresis loss, and the temperature all increase.
 5. The following models are standard breakers
Type BV-C1, BC-V, NVB, NV-L, NV-G2N, NV-G3NA, NV-2F type leakage current relay (except for NV-ZHA), NV with AA neutral wire open-phase protection
The following models are for harmonic surge
NV-C/NV-S/MN series, NV30-FA, NV50-FA, BV-C2, leakage current alarm breaker(NF-Z), NV-ZHA, NV-H
- * Be careful of the leakage current value of the noise filter installed on the inverter input side.

	Breaker for harmonic and surge	Standard Breaker
Leakage current I_{g1} (mA)	$33 \times \frac{5m (16.40feet)}{1000m (3280.80feet)} = 0.17$	
Leakage current I_{gn} (mA)	0 (without noise filter)	
Leakage current I_{g2} (mA)	$33 \times \frac{70m (229.66feet)}{1000m (3280.80feet)} = 2.31$	
Motor leakage current I_{gm} (mA)		0.18
Total leakage current (mA)	2.66	7.64
Reted sensitivity current (mA) ($\geq I_g \times 10$)	30	100

2.3.7 Instructions for compliance with U.S. and Canadian Electrical Codes

(Standard to comply: UL 508C)



(1) Installation

The FR-F500 is UL-listed as a product for use in an enclosure and approval tests were conducted under the following conditions.

• **200V class**

Inverter Model	Minimum Enclosure Volume (Ratio of enclosure volume to inverter volume)	Air Vent Area (Ratio of air vent area in enclosure top and bottom to enclosure surface area)	External Cooling Fan (The following number of fans of 100cfm wind pressure are installed 10cm above the inverter top)
FR-F520-0.75K	150	5.8	0
FR-F520-1.5K	245	1.5	1
FR-F520-2.2K	245	1.5	1
FR-F520-3.7K	245	1.5	1
FR-F520-5.5K	245	1.5	1
FR-F520-7.5K	245	1.5	1
FR-F520-11K	245	1.5	1
FR-F520-15K	370	2.6	2
FR-F520-18.5K	370	2.6	2
FR-F520-22K	370	2.6	2
FR-F520-30K	—	—	2
FR-F520-37K	—	—	2
FR-F520-45K	—	—	2
FR-F520-55K	—	—	2

• **400V class**

Design the enclosure so that the ambient temperature, humidity and ambience of the inverter will satisfy the above specifications. (Refer to page 190)

(2) Branch circuit protection

For installation in United States, branch circuit protection must be provided, in accordance with the National Electrical Code and any applicable local codes.

For installation in Canada, branch circuit protection must be provided in accordance with the Canada Electrical Code and any applicable provincial codes.

(3) Short circuit ratings

• **200V class**

Suitable For Use in A Circuit Capable of Delivering Not More Than 5 or 10kA rms Symmetrical Amperes, 230 or 500 Volts Maximum.

• **400V class**

Suitable For Use in A Circuit Capable of Delivering Not More Than 10kA rms Symmetrical Amperes, 500 Volts Maximum.

(4) Wiring of the power supply and motor

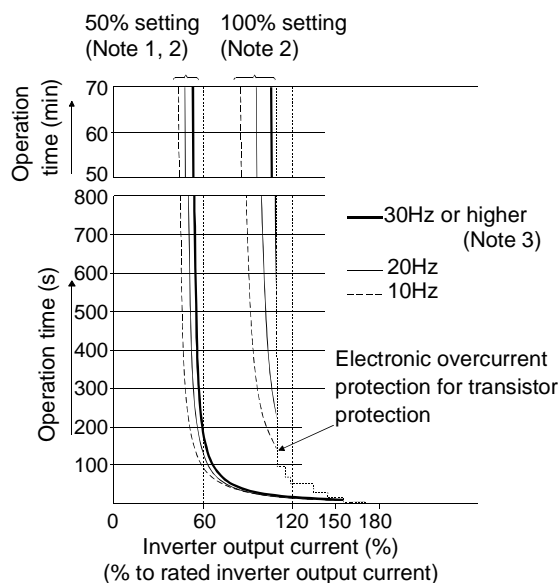
For wiring the input (R, S, T) <L1, L2, L3> and output (U, V, W) terminals of the inverter, use the UL-recognized copper wires (rated at 75°C) and round crimping terminals. To crimp the crimping terminals, use the crimping tool recommended by the terminal maker.

(5) Motor overload protection

When using the electronic overcurrent protection function as motor overload protection, set the rated motor current in Pr.9 "electronic thermal O/L relay".

When connecting two or more motors to the inverter, install external thermal relays for individual motors.

Reference: Motor overload protection characteristics



- Protection activating range
Range on the right of characteristic curve
- Normal operating range
Range on the left of characteristic curve

(Note 1) When you set the 50% value (current value) of the rated inverter output current.

(Note 2) The % value denotes the percentage of the current value to the rated inverter output current, not to the rated motor current.

(Note 3) This characteristic curve will be described even under operation of 6Hz or higher when you set the electronic overcurrent protection dedicated to the Mitsubishi constant-torque motor.

2.3.8 Instructions for compliance with the European Directives

(Only the FR-F540-0.75K to 55K units comply. We are now preparing to apply for for compliance with the other capacity models. The products conforming to the Low Voltage Directive carry the CE mark.)

(1) EMC Directive

1) Our view of transistorized inverters for the EMC Directive

A transistorized inverter is a component designed for installation in a control box and for use with the other equipment to control the equipment/device. Therefore, we understand that the EMC Directive does not apply directly to transistorized inverters. For this reason, we do not place the CE mark on the transistorized inverters. (The CE mark is placed on inverters in accordance with the Low Voltage Directive.) The European power drive manufacturers' organization (CEMEP) also holds this point of view.

2) Compliance

We understand that the transistorized inverters are not covered directly by the EMC Directive, but the machines/equipment into which they have been incorporated are covered by the EMC Directive and must carry the CE marks. Hence, we prepared the technical information "EMC Installation Guidelines" (information number BCN-A21041-202) so that machines and equipment incorporating transistorized inverters may conform to the EMC Directive more easily.

3) Outline of installation method

Install an inverter using the following methods:

- * Use the inverter with a European Standard-compliant noise filter.
- * For wiring between the inverter and motor, use shielded cables or run them in a metal piping and earth (ground) the cables on the inverter and motor sides with the shortest possible distance.
- * Insert a line noise filter and ferrite core into the power and control lines as required.

Full information including the European Standard-compliant noise filter specifications are written in the technical information "EMC Installation Guidelines" (information number BCN-A21041-202). Please contact your sales representative.

(2) Low Voltage Directive

1) Our view of transistorized inverters for the Low Voltage Directive

Transistorized inverters are covered by the Low Voltage Directive (compliant with Standard DIN VDE0160).

2) Compliance

We have self-confirmed our inverters as products compliant to the Low Voltage Directive and place the CE mark on the inverters.

3) Outline of instructions

- * In the 400V class inverters, the rated input voltage range is three-phase, 380V to 415V, 50Hz/60Hz.
- * Connect the equipment to the earth (ground) securely. Do not use an earth leakage circuit breaker as an electric shock protector without connecting the equipment to the earth (ground).
- * Wire the earth (ground) terminal independently. (Do not connect two or more cables to one terminal.)
- * The wire size on pages 13 and 16 are shown for following conditions.
 - Ambient Temp: 40°C (104°F) maximum
 - Wire installation: On wall without duct or conduits

If conditions are different from above, select appropriate wire according to EN60204 ANNEX C TABLE 5.
- * Use the no-fuse breaker and magnetic contactor which conform to the EN or IEC Standard.
- * Use the breaker of type B (breaker that can detect both AC and DC). If not, provide double or enhanced insulation between the inverter and other equipment, or put a transformer between the main power supply and inverter.
- * Use the inverter under the conditions of overvoltage category II and contamination level 2 or less set forth in IEC664.
 - (a) To meet the overvoltage category II, insert an EN or IEC standard-compliant insulating transformer or surge suppressor in the input of the inverter.
 - (b) To meet the contamination level 2, install the inverter in a control box protected against ingress of water, oil, carbon, dust, etc. (IP54 or higher).
- * In the input and output of the inverter, use cables of the type and size set forth in EN60204 Appendix C.
- * The operating capacity of the relay outputs (terminal symbols A, B, C) should be 30VDC, 0.3A. (The relay outputs are basically isolated from the inverter's internal circuitry.)
- * The terminals indicated as the control circuit input and output terminals on page 9 are isolated safely from the main circuit.

Environment

	During operation	In storage	During transportation
Ambient Temperature	-10°C to +50°C (14°F to 122°F)	-20°C to +65°C (-4°F to 149°F)	-20°C to +65°C (-4°F to 149°F)
Ambient Humidity	90% RH or less	90% RH or less	90% RH or less
Maximum Altitude	1,000 m (3280.80feet)	1,000 m (3280.80feet)	10,000 m (32808.00feet)

Details are given in the technical information "Low Voltage Directive Conformance Guide" (information number BCN-A21041-203). Please contact your sales representative.

2.3.9 Earthing (Grounding) (EC version)

(1) Earthing (Grounding) and earth (ground) leakage current

(a) Purpose of earthing (grounding)

Electrical equipment usually has an earthing (grounding) terminal, which must be connected to the earth (ground) before using equipment.

For protection, electric circuits are normally housed inside an insulated case. However, it is impossible to manufacture insulating materials that prevent all current from leaking across them. Therefore it is the function of earth (ground) (safety earth (ground)) to prevent electric shocks when touching the case.

There is, however, another important earthing (grounding) function, which is to prevent equipment that uses very weak signals (Audio equipment, sensors, transducers, etc.) or microprocessors from being affected by Radio Frequency Interference, (RFI) from external sources.

(b) Points to remember when earthing (grounding)

As detailed above there are two entirely different types of earthing (grounding) and to attempt to use the same earth (ground) for both will lead to problems. It is necessary to separate the "safety" earthing (grounding) (a yellow/green wire to prevent electric shocks) from the "RFI" earthing (grounding) (a braided wire strap to counter radio noise).

The inverter output voltage does not take the form of a sine wave but of a modulated pulse waveform causing "noisy" leakage current due to the capacitance of the insulation.

The same type of leakage current will occur in the motor due to the charging and discharging of the insulation from the high frequency waveform. This trend becomes more pronounced with higher carrier frequencies.

To solve this problem it is necessary to use separate "dirty" earthing (grounding) for inverter and motor installations an "clean" earthing (grounding) for equipment such as sensors, computers and audio equipment.

(2) Earthing (Grounding) methods

Two main types of earth (ground)

- 1-To prevent electrical shocks
Yellow and green cable
- 2-To prevent RFI induced malfunction
Braided strap

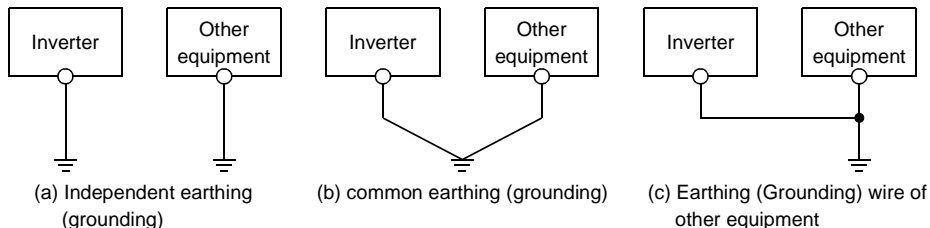
It is important to make a clear distinction between these two, and to keep them separate by following the measures below.

(a) When possible earth (ground) the inverter independently of other equipment.

If independent earthing (grounding) is not possible, use a common earthing (grounding) point.

Avoid connecting earthing (grounding) wires together particularly on high power equipment such as motors and inverters.

Independent earthing (grounding) should always be used between sensitive equipment and inverters.



(b) Safety earths (grounds) should be...

For 400V duty - Special class 3, 10Ω or less

For 200V duty - Class 3, 100Ω or less

(c) The safety earth (ground) should be as thick as possible, minimum thickness as stated in below table.

(d) The earthing (grounding) point should be as close to the inverter as possible, and the wire as short as possible.

(e) The RFI earth (ground) should be a braided strap with a 10mm² minimum cross sectional area, and as short as possible.

(f) The earths (grounds) should be as far away from input and output cables (particularly to equipment sensitive to RFI) as possible, and any distance where they are parallel should be kept to a minimum.

(g) Design in RFI prevention before installation.

(Unit: mm²)

Motor Size	Earth (Ground) Wire Size
	400V Class
3.7kW (5HP) or less	2
5.5kW, 7.5kW (7.5HP, 10HP)	3.5
11kW to 15kW (15 to 20HP)	8
18.5kW to 37kW (25 to 50HP)	14
45kW, 55kW (60HP, 75HP)	22

CHAPTER 3

OPERATION/CONTROL

This chapter provides the basic "operation/control" for use of this product.

Always read this chapter before using the equipment.

3.1 Pre-Operation Information.....	45
3.2 Operation Panel.....	48
3.3 Parameter Checking and Setting	54
3.4 Operation	58

Chapter 1

Chapter 2

Chapter 3

Chapter 4

Chapter 5

Chapter 6

Chapter 7

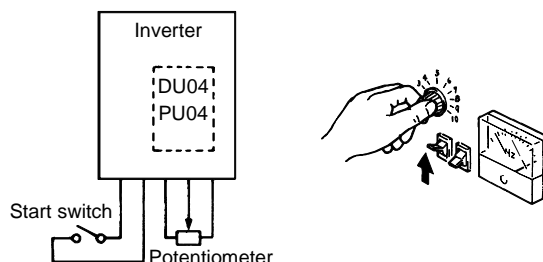
3.1 Pre-Operation Information

3.1.1 Devices and parts to be prepared for operation

The inverter can be operated in any of the "external operation mode", "PU operation mode", "combined operation mode" and "communication operation mode". Prepare required instruments and parts according to the operation mode.

(1) External operation mode (factory setting)

The inverter is operated under the control of external operation signals (frequency setting potentiometer, start switch, etc.) connected to the terminal block. With input power on, switch on the start signal (STF, STR) to start operation.



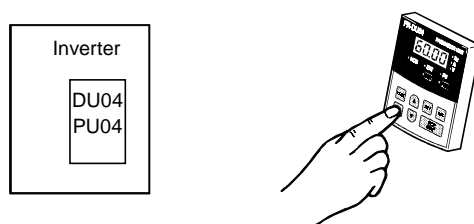
Preparation

- Start signal Switch, relay, etc.
- Frequency setting signal 0 to 5V, 0 to 10V or 4 to 20mA DC signals or multiple speeds from a potentiometer or outside the inverter

Note: Both the start signal and frequency setting signal are required to run the inverter.

(2) PU operation mode

The inverter is operated from the keypad of the PU (FR-DU04/FR-PU04). This mode does not require the operation signals to be connected and is useful for an immediate start of operation.



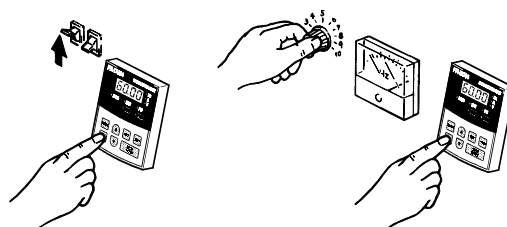
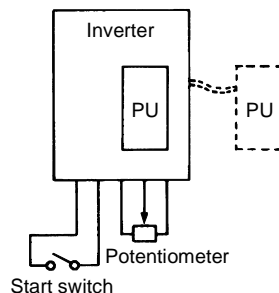
Preparation

- Operation unit..... Operation panel (FR-DU04), parameter unit (FR-PU04)
- Connection cable To be prepared for use of the operation unit away from the inverter.
FR-CB2□□ (option) or the following connector and cable available on the market:
Connector: RJ45 connector
Cable : Cable conforming to EIA568 (e.g. 10BASE-T cable)

(3) External/PU combined operation mode

The inverter is operated with the external operation and PU operation modes combined in any of the following ways:

- 1) The start signal is set with the external signal and the frequency setting signal set from the PU.
- 2) The start signal is set with the run command key of the PU (FR-DU04/FR-PU04) and the frequency setting signal set with the external frequency setting potentiometer.







Preparation

- Start signalSwitch, relay, etc. (for 1)
- Frequency setting signal0 to 5V, 0 to 10V or 4 to 20mA DC signals from a potentiometer or outside the inverter (for 2)
- Operation unit.....Operation panel (FR-DU04), parameter unit (FR-PU04)
- Connection cableTo be prepared for use of the operation unit away from the inverter FR-CB2□□ (option) or the following connector and cable available on the market:
 - Connector: RJ45 connector
 - Cable : Cable conforming to EIA568 (e.g. 10BASE-T cable)

3) Combined operation mode

Change the setting of Pr. 79 "operation mode selection" as follows:

Setting	Description	
	Running frequency setting	Start signal
3	PU (FR-DU04/FR-PU04) <ul style="list-style-type: none"> • Direct setting and /  key setting, Multi-speed setting 	Terminal signal <ul style="list-style-type: none"> • STF • STR
4	Terminal signal <ul style="list-style-type: none"> • 0 to 5VDC across 2-5 • 0 to 10VDC across 2-5 • 4 to 20mADC across 4-5 • Multi-speed selection (Pr. 4 to Pr. 6, Pr. 24 to Pr. 27) • Jog frequency (Pr. 15) 	Parameter unit <ul style="list-style-type: none"> •  key •  key

(4) Communication operation mode

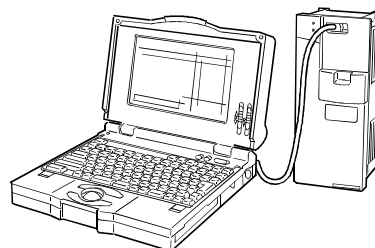
Communication operation can be performed by connecting a personal computer and the PU connector with the RS-485 communication cable.

The inverter setup software (FR-SW□-SETUP-WE (or -WJ for Japanese Version)) is available as a startup support software package for the FR-F500.

Preparation

- Connection cableConnectors and cables available on the market
 - Connector : RJ45 connector
 - Cable : Cable conforming to EIA568 (E.g. 10BASE-T cable)

For the operation environment of inverter setup software, refer to the instruction manual of the inverter setup software.



3.1.2 Power on

Before switching power on, check the following:

- **Installation check**

Make sure that the inverter is installed correctly in a proper location. (Refer to page 7.)

- **Wiring check**

Make sure that the main and control circuits are wired correctly.

Make sure that the options and peripheral devices are selected and connected correctly.

(Refer to page 9.)

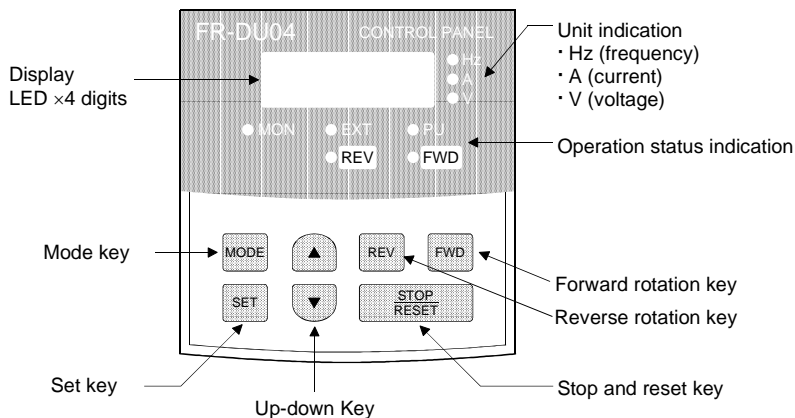
- **Switch power on.**

Power-on is complete when the POWER lamp is lit correctly and the operation panel (FR-DU04) displays correct data.

3.2 Operation Panel

With the operation panel (FR-DU04), you can set the running frequency, monitor the operation command display, set parameters, display an error, and copy parameters.

3.2.1 Names and functions of the operation panel (FR-DU04)



• Key indications

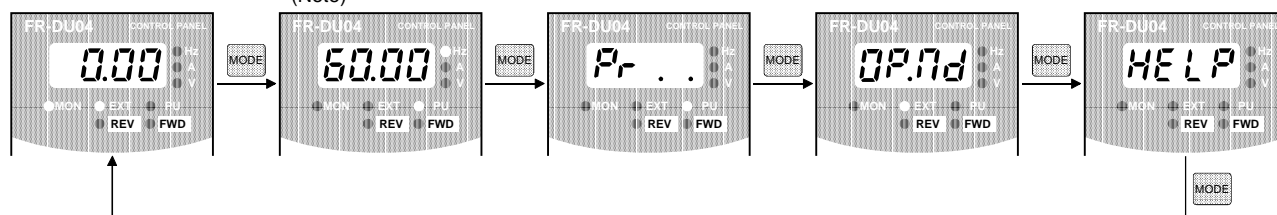
Key	Description
key	You can select the operation mode or setting mode.
key	You can determine the frequency and parameter setting.
key	<ul style="list-style-type: none"> Used to increase or decrease the running frequency consecutively. Hold down this key to change the frequency. Press this key in the setting mode to change the parameter setting consecutively.
key	Used to give a forward rotation command.
key	Used to give a reverse rotation command.
key	<ul style="list-style-type: none"> Used to stop operation. Used to reset the inverter when its output is stopped by the protective function activated (major fault).

• Unit indications, operating status indications

Indication	Description
Hz	Lit to indicate the frequency.
A	Lit to indicate the current.
V	Lit to indicate the voltage.
MON	Lit in the monitor display mode.
PU	Lit in the PU operation mode.
EXT	Lit in the external operation mode.
FWD	Flickers to indicate forward rotation.
REV	Flickers to indicate reverse rotation.

3.2.2 Monitor display changed by pressing the key

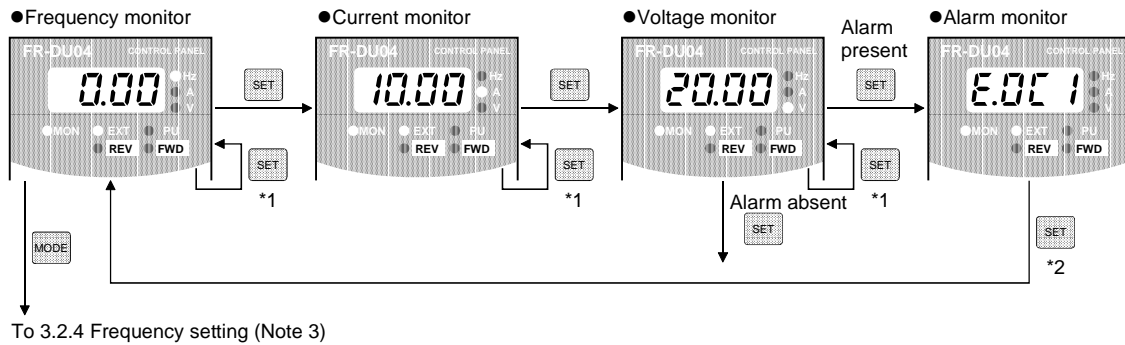
- Monitoring mode
- Frequency setting mode (Note)
- Parameter setting mode
- Operation mode
- Help mode



Note: The frequency setting mode is displayed only in the PU operation mode.

3.2.3 Monitoring

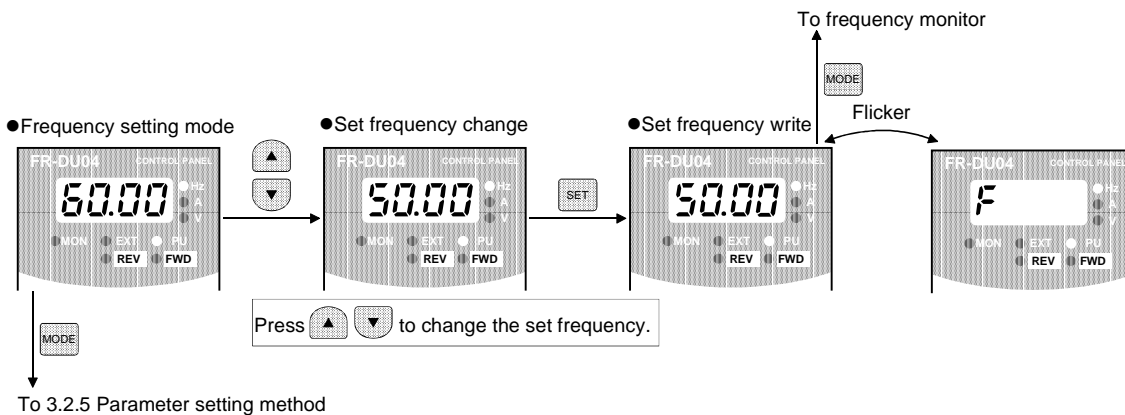
- Operation command indications in the monitoring
 EXT is lit to indicate external operation.
 PU is lit to indicate PU operation.
 Both EXT and PU are lit to indicate PU/external combined operation mode.
- The monitor display can also be changed during operation.



Note: 1. Hold down the **SET** key marked *1 for more than 1.5 s to change the current monitor to the power-on monitor.
 2. Hold down the **SET** key marked *2 for more than 1.5 s to display four errors including the most recent one.
 3. Shifts to the parameter setting mode when in the external operation mode.

3.2.4 Frequency setting

- Used to set the running frequency in the PU operation mode.

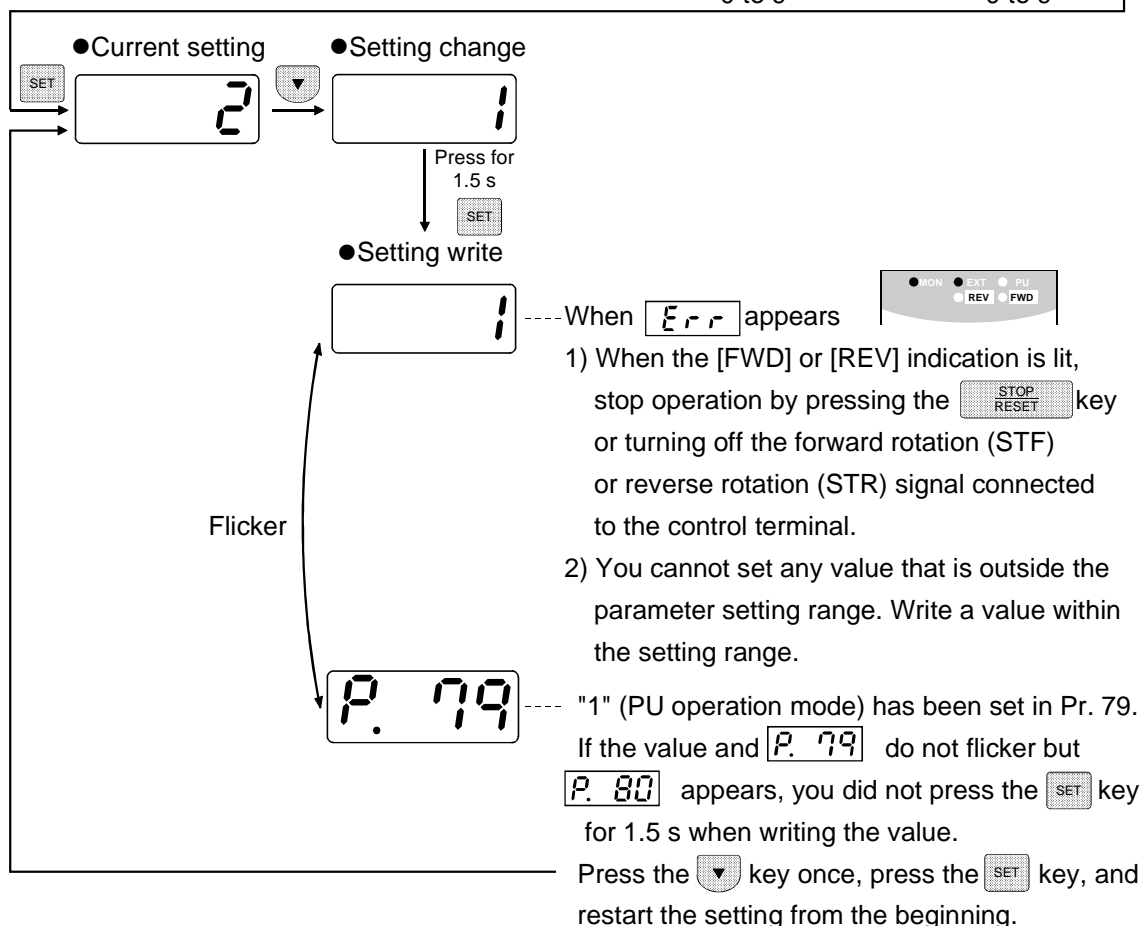
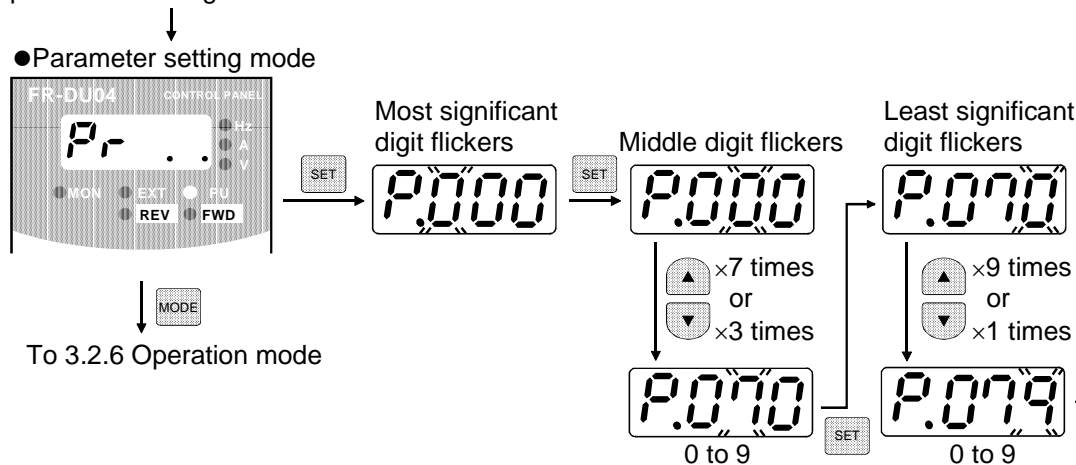


3.2.5 Parameter setting method

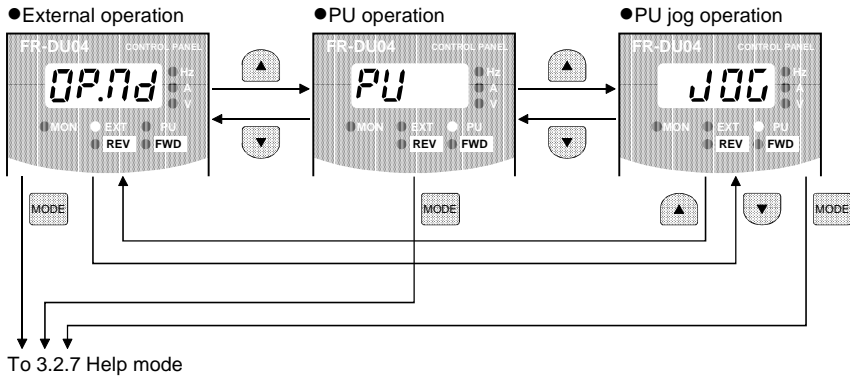
- A parameter value may either be set by updating its parameter number or setting the value digit-by-digit using the key.
- To write the setting, change it and press the key 1.5 s.

Example: To change the Pr. 79 "operation mode selection" setting from "2" (external operation mode) to "1" (PU operation mode)
(For details of Pr.79, refer to page 107.)

Press the key, to choose the parameter setting mode.

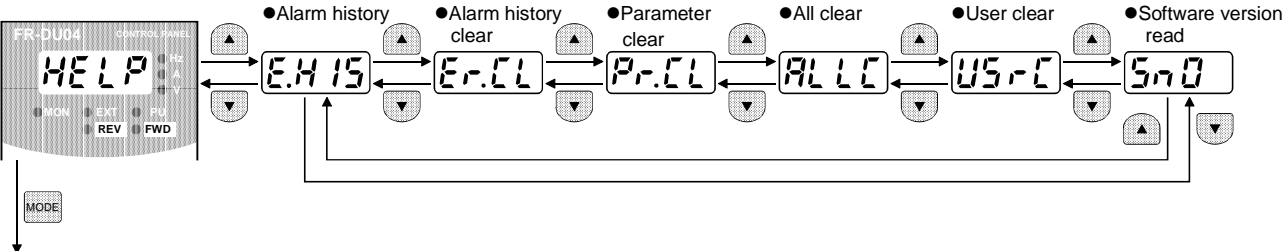


3.2.6 Operation mode



Note: If operation mode changing cannot be made, refer to page 178.

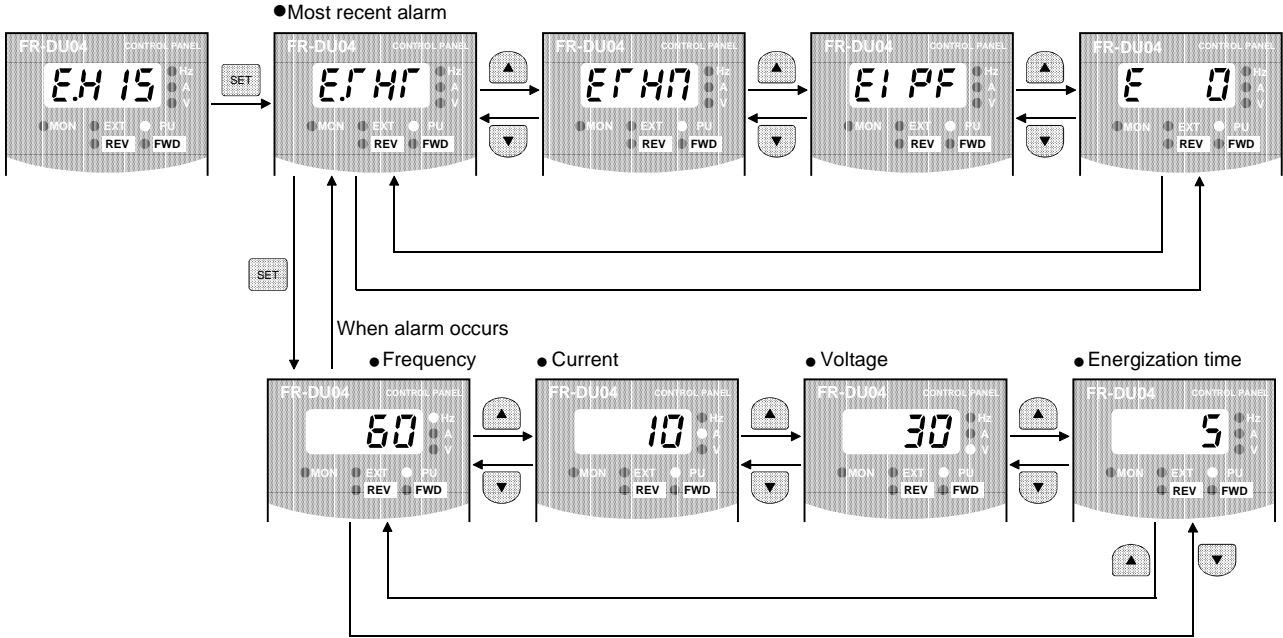
3.2.7 Help mode



To 3.2.3 Monitoring

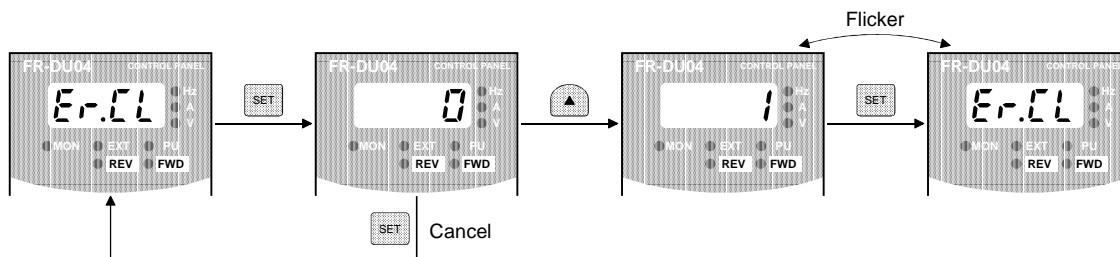
(1) Alarm history

Four past alarms can be displayed with the key.
 (". " is appended to the most recent alarm.)
 (When no alarm exists, E.__0 is displayed.)



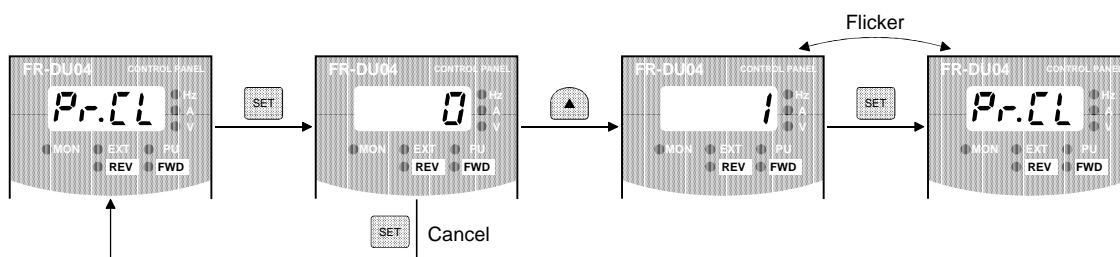
(2) Alarm history clear

Clears all alarm history.



(3) Parameter clear

Initialises the parameter values to the factory settings. The calibration values are not initialized. (Parameter values are not cleared by setting "1" in Pr. 77 "parameter write disable selection".)

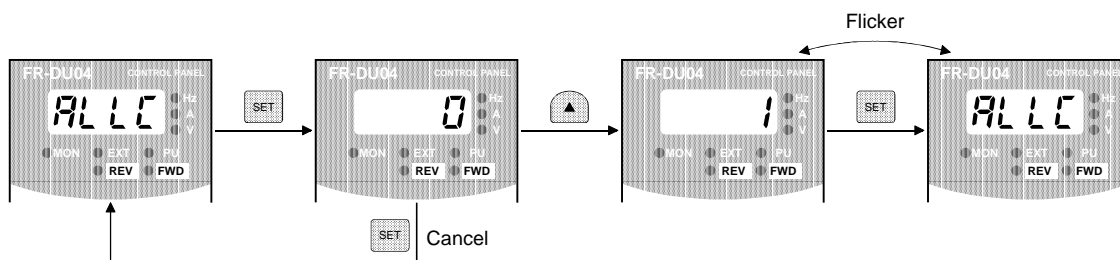


REMARKS

The Pr. 75, Pr. 180 to Pr. 186, Pr. 190 to Pr. 195, and Pr. 900 to Pr. 905 values are not initialized.

(4) All clear

Initialises the parameter values and calibration values to the factory settings.

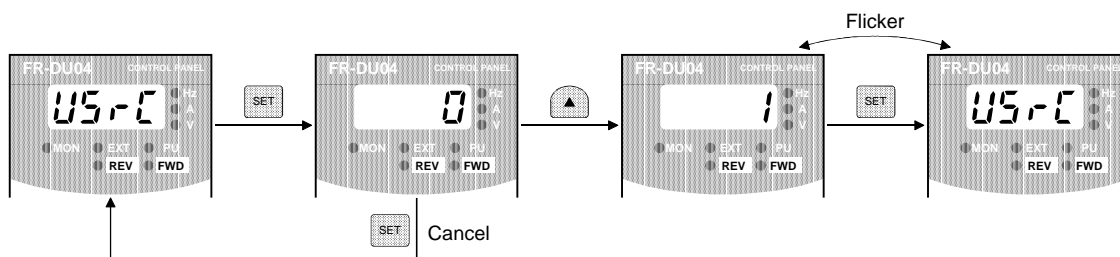


REMARKS

The Pr. 75 value is not initialized.

(5) User clear

Initialises the user-set parameters. The other parameters are initialized to the factory settings.



REMARKS

The Pr. 75, Pr. 180 to Pr. 186, and Pr. 190 to Pr. 195 values are not initialized.

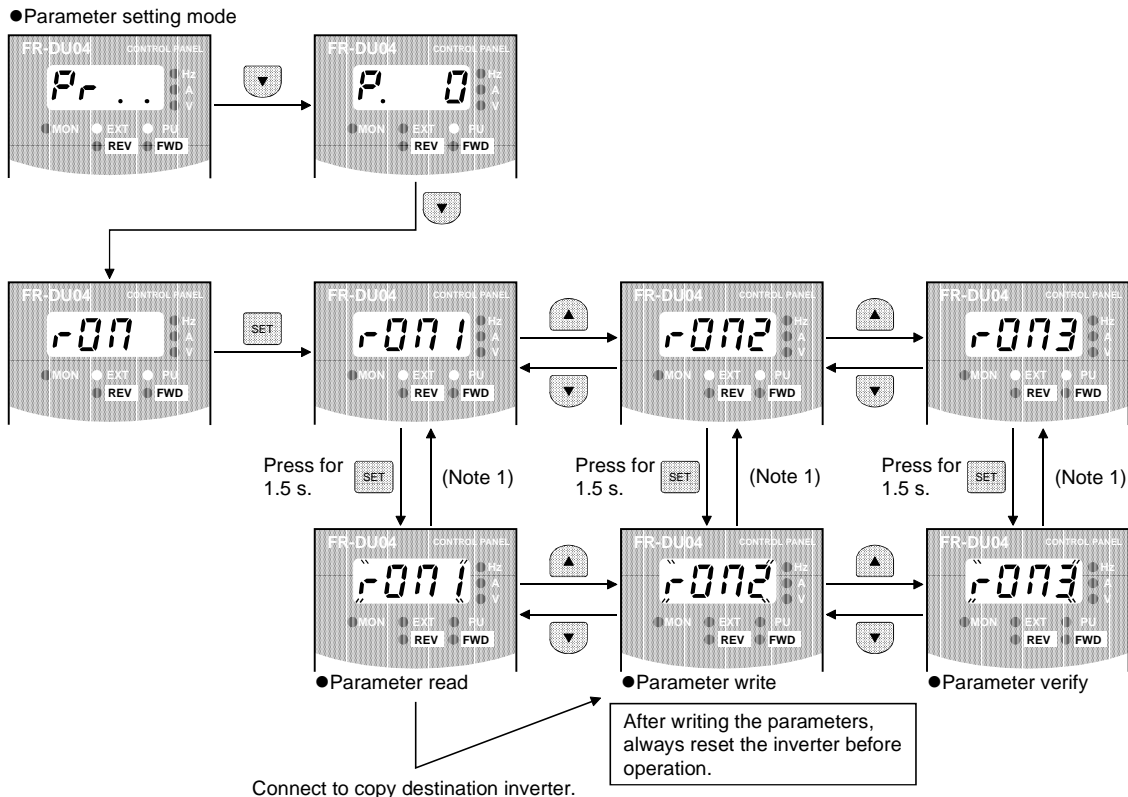
3.2.8 Copy mode

By using the operation panel (FR-DU04), the parameter values can be copied to other FR-F500 series inverters.

1) Operation procedure

After reading the parameter values from the copy source inverter, connect the operation panel to the copy destination inverter, and write the parameter values.

After writing the parameters to the inverter of copy destination, always reset the inverter, e.g. switch power off once, before starting operation.



- Note: 1. While the copy function is being activated, the monitor display flickers. The display returns to the lit-up state on completion of the copy function.
2. If a read error occurs during parameter read, "read error (E.rE1)" is displayed.
3. If a write error occurs during parameter write, "write error (E.rE2)" is displayed.
4. If a data discrepancy occurs during parameter verify, the corresponding parameter number and "verify error (E.rE3)" are displayed alternately. If the direct frequency setting or jog frequency setting is discrepant, "verify error (E.rE3)" flickers. To ignore this display and continue verify, press the **SET** key.
5. When the copy destination inverter is not the FR-F500 series, "model error (E.rE4)" is displayed.

Reference: It is recommended to read the parameter values after completion of parameter setting.

By writing the parameter values from the operation panel fitted to a new inverter after inverter replacement, parameter setup can be completed.

3.3 Parameter Checking and Setting

The inverter is designed to perform simple variable-speed operation with the factory settings of the parameters. Set the necessary parameters according to the load and operation specifications. Use the operation panel (FR-DU04) to set, charge and confirm the parameter values. For full information on the parameters, refer to "CHAPTER 4 PARAMETERS"(Page 62).

3.3.1 Parameter checking

Pr. 160 "user group read selection" is factory-set to display only the simple mode parameters among the parameters. Set the following parameters as required.

(1) Pr. 160 "user group read selection"

Parameter Number	Factory Setting	Setting Range
160	9999	0, 1, 10, 11, 9999

- Setting details

For the setting method and in-depth explanation, refer to page 139.

Pr. 160 Setting	Description
0	All parameters are made accessible for reading and writing.
1	Only the parameters registered in user group 1 are made accessible for reading and writing.
10	Only the parameters registered in user group 2 are made accessible for reading and writing.
11	Only the parameters registered in user groups 1 and 2 are made accessible for reading and writing.
9999	Only the simple mode parameters are made accessible for reading and writing. (Factory setting)

(2) Simple mode parameter list

The following parameters are basic parameters made accessible for reading and writing by setting "9999" in Pr. 160. For details of their functions, refer to Chapter 4 "PARAMETERS" (page 62).

Parameter Number	Name	Application	Refer to
0	Torque boost	Used to compensate for a voltage drop in the low frequency range to improve motor torque reduction in the low speed range.	68
1	Maximum frequency	Used to set the upper and lower limits of the output frequency.	69
2	Minimum frequency		
3	Base frequency	Used to match the inverter outputs (voltage, frequency) to the motor rating.	70
4	Three-speed setting (high speed)	Set these parameters when using the terminals to change the running speeds preset in the parameters.	71
5	Three-speed setting (middle speed)		
6	Three-speed setting (low speed)		
7	Acceleration time	Used to set the acceleration and deceleration times.	72
8	Deceleration time		
9	Electronic thermal O/L relay	Used to set the current value of the electronic overcurrent protection to protect the motor from overheat.	73
10	DC injection brake operation frequency	Used to adjust the stopping accuracy according to the load.	74, 75
11	DC injection brake operation time		
12	DC injection brake voltage		
13	Starting frequency		
14	Load pattern selection	Used to select the optimum output characteristic that matches the application and load characteristics.	76
19	Base frequency voltage	Used to set the base voltage (e.g. motor's rated voltage).	70
52	DU/PU main display data selection	Used to choose the monitoring and output signals.	88
53	PU level display data selection		
54	FM terminal function selection		
55	Frequency monitoring reference	Used to set the frequency and current values, which are referenced, for the level meter.	90
56	Current monitoring reference		
57	Restart coasting time	Used to perform automatic restart operation after instantaneous power failure or commercial power supply-inverter switchover.	91
58	Restart cushion time		

Parameter Number	Name	Application	Refer to
60	Intelligent mode selection	Used to cause the inverter to automatically set the appropriate parameters and perform operation.	95
65	Retry selection	Used to select the alarm whose occurrence will cause the inverter to reset and retry automatically.	97
66	Stall prevention operation reduction starting frequency		79
67	Number of retries at alarm occurrence	Used to set the number of retries to be made when an alarm occurs.	97
68	Retry waiting time	Used to set the number of retries and the waiting time.	97
69	Retry count display erasure		
71	Applied motor	Used to set the thermal characteristic of the electronic overcurrent protection according to the motor used.	99
72	PWM frequency selection	Used to change the motor tone.	100
73	0-5V/0-10V selection	When using the voltage-input signal to perform operation, set the specifications of the frequency setting signal input to across terminals 2-5.	101
74	Filter time constant	Used to set the input section built-in filter constant of an external voltage or current frequency setting signal.	102
75	Reset selection/disconnected PU detection/PU stop selection	Used to choose the reset selection, disconnected PU detection and PU stop selection functions.	102
76	Alarm code output selection	Used to output a 4-bit digital signal from the open collector output terminals as the definition of an alarm that has occurred.	104
77	Parameter write disable selection	Used to enable or disable the write of various parameters to prevent the parameters from being rewritten by accidental operation.	105
78	Reverse rotation prevention selection	Used to prevent reverse operation trouble due to the false input of the start signal.	106
79	Operation mode selection	Use to choose the operation mode of the inverter.	107
160	User group read selection	Used to read the values of the basic parameters or all parameters.	139
180	RL terminal function selection	Used to choose and assign the functions of the input terminals.	140
181	RM terminal function selection		
182	RH terminal function selection		
183	RT terminal function selection		
184	AU terminal function selection		
185	JOG terminal function selection		
186	CS terminal function selection		
190	RUN terminal function selection	Used to choose and assign the functions of the output terminals.	142
191	SU terminal function selection		
192	IPF terminal function selection		
193	OL terminal function selection		
194	FU terminal function selection		
195	A, B, C terminal function selection		
240	Soft-PWM setting	Used to change the motor tone.	100
244	Cooling fan operation selection	Used to control the operation of the cooling fan incorporated in the inverter.	145
900	FM terminal calibration	Used to calibrate the meters connected to terminals FM-SD and AM-5.	158
901	AM terminal calibration		
902	Frequency setting voltage bias	Used to set the magnitude (slope) of the output frequency as desired relative to the frequency setting signal (0 to 5V, 0 to 10V or 4 to 20mA DC).	160
903	Frequency setting voltage gain		
904	Frequency setting current bias		
905	Frequency setting current gain		
990	PU buzzer control	Used to produce or mute the operational sound generated when you press the keys of the operation panel and parameter unit.	165

3.3.2 Main parameter settings

The main parameter settings are given below. For more information, refer to "CHAPTER 4 PARAMETERS".

(1) Setting of maximum frequency (Pr. 1 "maximum frequency")

Set this parameter to define the upper limit of the output frequency.

You can limit the maximum frequency within the range of the frequency set in Pr. 903 or Pr. 905 "frequency setting voltage (current) gain", but change the setting only when necessary.

Factory setting: 120Hz

(2) Setting of minimum frequency (Pr. 2 "minimum frequency")

Set this parameter to define the lower limit of the output frequency.

When you have set the minimum frequency, simply switching the start signal on runs the motor at the preset minimum frequency if the frequency setting is 0Hz. (At this time, the output starts from the starting frequency value for acceleration.)

Factory setting: 0Hz

(3) Setting of acceleration and deceleration times (Pr. 7 "acceleration time", Pr. 8 "deceleration time", Pr. 44 "second acceleration/deceleration time", Pr. 45 "second deceleration time")

Change this time to perform acceleration/deceleration operation at any other time than those factory-set.

Parameter	Factory Setting
Pr. 7 "acceleration time"	7.5K or less ... 5 s, 11K or more ... 15 s or longer
Pr. 8 "deceleration time"	7.5K or less ... 10 s, 11K or more ... 30 s or longer
Pr. 44 "second acceleration/deceleration time"	5 s
Pr. 45 "second deceleration time"	9999 (as set in Pr. 44)

(4) Setting of electronic overcurrent protection (Pr. 9 "electronic thermal O/L relay")

The factory setting is the rated current value of the inverter.

When changing the setting, set the current given for 50Hz on the motor rating plate.

Note: The operation characteristic is based on that of the Mitsubishi standard squirrel-cage motor. Since this parameter is not applicable to a special motor, use an external thermal relay etc. to protect such a motor.

(You can select a constant-torque motor with Pr. 71 "applied motor".)

(5) Selection of load pattern (Pr. 14 "load pattern selection")

Used to select the output characteristic (V/F characteristic) according to the application and load characteristics.

Application	Setting
For constant torque load (e.g. conveyor, cart)	0
For variable torque load (fan, pump)	1 (Factory setting)

Note: When the RT terminal is ON, the second control functions (second acceleration/deceleration, second torque boost, second base frequency) are selected.

(6) When using a voltage input signal to perform operation (Pr. 73 "0 to 5V, 0 to 10V selection")

When using a voltage-input signal to perform operation, set the specifications of the frequency setting voltage signal entered to across terminals 2-5.

1) For 0 to 5VDC

Set "1" (factory setting) in Pr. 73.

2) For 0 to 10VDC

Set "0" in Pr. 73.

• When using a current input signal to perform operation

When using a current input signal to perform operation, input the signal to across terminals 4-5 and short terminals AU-SD.

(7) Setting of frequency setting voltage (current) gain (highest output frequency) (Pr. 903 "frequency setting voltage gain", Pr. 905 "frequency setting current gain")

• For voltage signal: Pr. 903 "frequency setting voltage gain"

• For current signal: Pr. 905 "frequency setting current gain"

When performing operation at any frequency higher than the following factory setting, change the corresponding parameter setting:

Parameter	Factory Setting
Pr. 903 "frequency setting voltage gain"	60Hz at 5V (or 10V) DC
Pr. 905 "frequency setting current gain"	(0Hz at 4mADC), 60Hz at 20mADC

When using the parameter unit to perform operation, the highest output frequency is the maximum frequency (factory-set to 120Hz). (Refer to Pr. 1 "maximum frequency".)

Note: When connecting a frequency meter across terminals FM-SD to monitor the running frequency, you must change the factory setting of Pr. 55 "frequency monitoring reference" to the highest frequency since the output of the FM terminal will be saturated at an output frequency of 100Hz or higher.

3.4 Operation

3.4.1 Pre-operation checks

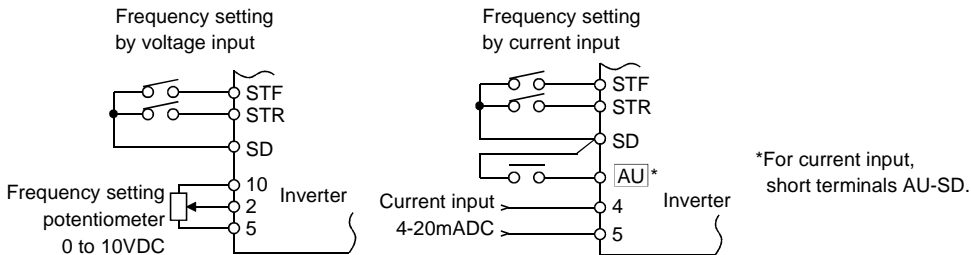
Before starting operation, check the following:

- Safety
Perform test operation after making sure that safety is ensured if the machine should become out of control.
- Machine
Make sure that the machine is free of damage.
- Parameters
Set the parameter values to match the operating machine system environment.
- Test operation
Perform test operation and make sure that the machine operates safely under light load at a low frequency.
After that, start operation.

3.4.2 External operation mode (Operation using external input signals)

(1) Operation at 60Hz

<Wiring example>



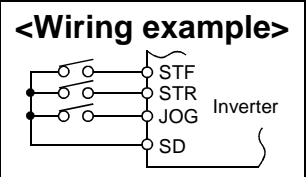
For details of each terminal, refer to page 10.

Step	Description	Image
1	Power-on → Operation mode check Switch power on and make sure that the operation command indication "EXT" is lit. (If it is not lit, press the MODE key to choose the operation mode and press the ▲ / ▼ key to switch to external operation. For operation mode changing, refer to page 51.)	
2	Start Turn on the start switch (STF or STR). The operation status indication "FWD" or "REV" flickers. <div style="border: 1px solid black; padding: 5px; margin-top: 10px;">Note: The motor does not start if both the forward and reverse rotation switches are turned on. If both switches are turned on during operation, the motor decelerates to a stop.</div>	
3	Acceleration → Constant speed Slowly turn the potentiometer (frequency setting potentiometer) full clockwise. The frequency shown on the display increases gradually to 60.00Hz.	
4	Deceleration Slowly turn the potentiometer (frequency setting potentiometer) full counterclockwise. The frequency shown on the display decreases gradually to 0.00Hz. The motor stops running.	
5	Stop Turn off the start switch (STF or STR).	

(2) External jog operation

Keep the start switch (STF or STR) on to perform operation, and switch it off to stop.

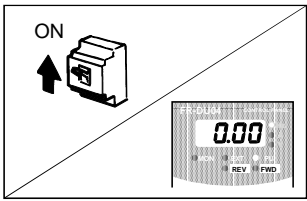
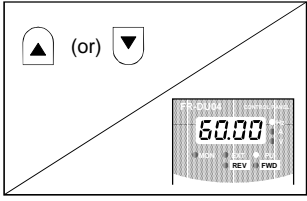
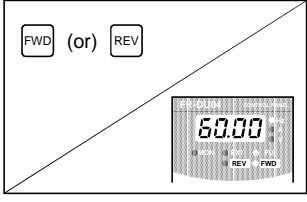
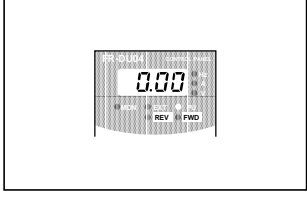
- 1) Set Pr. 15 "jog frequency" and Pr. 16 "jog acceleration/deceleration time".
- 2) Select the external operation mode.
- 3) Switch on the jog signal. Keep the start switch (STF or STR) on to perform operation.
Use any of Pr. 180 to Pr. 186 "input terminal function selection" to assign the terminal used for the jog signal.



3.4.3 PU operation mode (Operation using the operation panel (FR-DU04))

(1) Operation at 60Hz

While the motor is running, repeat the following steps 2 and 3 to vary the speed:

Step	Description	Image
1	Power-on → Operation mode check Switch power on and make sure that the operation command indication "PU" is lit. (If it is not lit, press the MODE key to choose the operation mode and press the ▲ / ▼ key to switch to PU operation. For operation mode changing, refer to page 51.)	
2	Running frequency setting Set the running frequency to 60Hz. First, press the MODE key to select the frequency setting mode. Then, press the ▲ / ▼ key to change the setting, and press the SET key to write the frequency.	
3	Start Press the FWD or REV key. The motor starts running. The monitoring mode is automatically selected and the output frequency is displayed.	
4	Stop Press the STOP/RESET key. The motor is decelerated to a stop.	

(2) PU jog operation

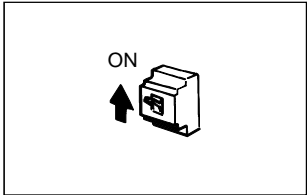
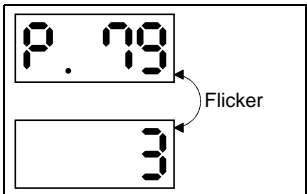
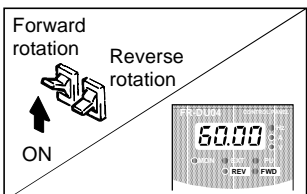




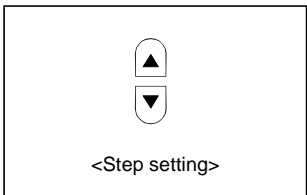
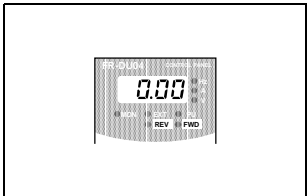
Hold down the **FWD** or **REV** key to perform operation, and release it to stop.

- 1) Set Pr. 15 "jog frequency" and Pr. 16 "jog acceleration/deceleration time".
- 2) Select the PU jog operation. (Press the **MODE** key to choose the operation mode and press the **▲**/**▼** key to switch to PU JOG operation.)
- 3) Hold down the **FWD** or **REV** key to perform operation.
(If the motor remains stopped, check Pr. 13 "starting frequency". The motor will not start if its setting is lower than the starting frequency.)

3.4.4 Combined operation mode (Operation using the external input signals and PU)

When entering the start signal from outside the inverter and setting the running frequency from the PU (Pr. 79 = 3)

The external frequency setting signals and the PU's FWD, REV and STOP keys are not accepted. (Note)

Step	Description	Image
1	Power-on Switch power on.	
2	Operation mode selection Set "3" in Pr. 79 "operation mode selection". The combined operation mode is selected and the operation status indication "EXT" and "PU" are lit.	
3	Start Turn on the start switch (STF or STR). <div style="border: 1px solid black; padding: 5px; width: fit-content;">Note: The motor does not start if both the forward and reverse rotation switches are turned on. If both switches are turned on during operation, the motor decelerates (when Pr. 250 = "9999") to a stop.</div>	
4	Running frequency setting Using the parameter unit, set the running frequency to 60Hz. The operation command indication "REV" or "FWD" flickers. • Select the frequency setting mode and make step setting. <div style="border: 1px solid black; padding: 5px; width: fit-content;">Note: Step setting is the way of changing the frequency consecutively by pressing the /  key. Hold down the /  key to change the frequency.</div>	
5	Stop Turn off the start switch (STF or STR). The motor stops running.	

Note: The stop key is made valid when the Pr. 75 "PU stop selection" value is set to any of 14 to 17.

CHAPTER 4

PARAMETERS

This chapter explains the "parameters" of this product.
Always read the instructions before using the equipment.

4.1 Parameter List	62
4.2 Parameter Function Details.....	68

Note: By making parameter settings, you can change the functions of contact input terminals RL, RM, RH, RT, AU, JOG, CS and open collector output terminals RUN, SU, IPF, OL, FU. Therefore, signal names corresponding to the functions are used in the description of this chapter (except in the wiring examples). Note that they are not terminal names.

Note: The settings in brackets refer to the "EC" version default settings.

Chapter 1

Chapter 2

Chapter 3

Chapter 4

Chapter 5

Chapter 6

Chapter 7

4.1 Parameter List

PARAMETERS

4.1.1 Parameter list

All parameters available when the Pr. 160 "user group read selection" value is "0" are indicated below. The parameters available when the Pr. 160 value is "9999" (Simple mode parameter) are marked in the Parameter Number column with a circle (○).

Function	Parameter Number	Name	Setting Range	Minimum Setting Increments	Factory Setting (EC Version)	Refer To Page:	Customer Setting
Basic functions	○ 0	Torque boost	0 to 30%	0.1%	6%/4%/3% /2% (Note 4)	68	
	○ 1	Maximum frequency	0 to 120Hz	0.01Hz	120Hz	69	
	○ 2	Minimum frequency	0 to 120Hz	0.01Hz	0Hz	69	
	○ 3	Base frequency	0 to 120Hz	0.01Hz	60Hz (50Hz)	70	
	○ 4	Multi-speed setting (high speed)	0 to 120Hz	0.01Hz	60Hz	71	
	○ 5	Multi-speed setting (middle speed)	0 to 120Hz	0.01Hz	30Hz	71	
	○ 6	Multi-speed setting (low speed)	0 to 120Hz	0.01Hz	10Hz	71	
	○ 7	Acceleration time	0 to 3600 s/ 0 to 360 s	0.1 s/ 0.01 s	5 s/15 s (Note 1)	72	
	○ 8	Deceleration time	0 to 3600 s/ 0 to 360 s	0.1 s/ 0.01 s	10 s/30 s (Note 1)	72	
○ 9	Electronic thermal O/L relay	0 to 500A	0.01A	Rated output current	73		
Standard operation functions	○ 10	DC injection brake operation frequency	0 to 120Hz, 9999	0.01Hz	3Hz	74	
	○ 11	DC injection brake operation time	0 to 10 s, 8888	0.1 s	0.5 s	74	
	○ 12	DC injection brake voltage	0 to 30%	0.1%	4%/2% (Note 1)	74	
	○ 13	Starting frequency	0 to 60Hz	0.01Hz	0.5Hz	75	
	○ 14	Load pattern selection	0, 1	1	1	76	
	15	Jog frequency	0 to 120Hz	0.01Hz	5Hz	77	
	16	Jog acceleration/deceleration time	0 to 3600 s/ 0 to 360 s	0.1 s/ 0.01 s	0.5 s	77	
	17	MRS input selection	0,2	1	0	78	
	○ 19	Base frequency voltage	0 to 1000V, 8888, 9999	0.1V	9999 (8888)	70	
	20	Acceleration/deceleration reference frequency	1 to 120Hz	0.01Hz	60Hz (50Hz)	72	
	21	Acceleration/deceleration time increments	0,1	1	0	72	
	22	Stall prevention operation level	0 to 150%, 9999	0.1%	120%	79	
	23	Stall prevention operation level compensation factor at double speed	0 to 200%, 9999	0.1%	9999	79	
	24	Multi-speed setting (speed 4)	0 to 120Hz, 9999	0.01Hz	9999	71	
	25	Multi-speed setting (speed 5)	0 to 120Hz, 9999	0.01Hz	9999	71	
	26	Multi-speed setting (speed 6)	0 to 120Hz, 9999	0.01Hz	9999	71	
	27	Multi-speed setting (speed 7)	0 to 120Hz, 9999	0.01Hz	9999	71	
	28	Multi-speed input compensation	0, 1	1	0	80	
	29	Acceleration/deceleration pattern	0, 1, 2, 3	1	0	81	
	30	Regenerative function selection	0, 2	1	0	82	
	31	Frequency jump 1A	0 to 120Hz, 9999	0.01Hz	9999	83	
32	Frequency jump 1B	0 to 120Hz, 9999	0.01Hz	9999	83		
33	Frequency jump 2A	0 to 120Hz, 9999	0.01Hz	9999	83		
34	Frequency jump 2B	0 to 120Hz, 9999	0.01Hz	9999	83		
35	Frequency jump 3A	0 to 120Hz, 9999	0.01Hz	9999	83		
36	Frequency jump 3B	0 to 120Hz, 9999	0.01Hz	9999	83		
37	Speed display	0,1 to 9998	1	0	84		
38	Automatic torque boost	0 to 200	0.1%	0	85		
39	Automatic torque boost operation starting current	0 to 500	0.01A	0	85		

PARAMETERS

Function	Parameter Number	Name	Setting Range	Minimum Setting Increments	Factory Setting (EC Version)	Refer To Page:	Customer Setting
Output terminal functions	41	Up-to-frequency sensitivity	0 to 100%	0.1%	10%	85	
	42	Output frequency detection	0 to 120Hz	0.01Hz	6Hz	86	
	43	Output frequency detection for reverse rotation	0 to 120Hz, 9999	0.01Hz	9999	86	
Second functions	44	Second acceleration/deceleration time	0 to 3600 s/ 0 to 360 s	0.1 s/0.01 s	5 s	72	
	45	Second deceleration time	0 to 3600 s/0 to 360 s, 9999	0.1 s/0.01 s	9999	72	
	46	Second torque boost	0 to 30%, 9999	0.1%	9999	68	
	47	Second V/F (base frequency)	0 to 120Hz, 9999	0.01Hz	9999	70	
	48	Second stall prevention operation current	0 to 150%	0.1%	120%	87	
	49	Second stall prevention operation frequency	0 to 120Hz, 9999	0.01Hz	0	87	
Display functions	○ 52	DU/PU main display data selection	0, 5, 6, 8, 10 to 14, 17, 20, 23, 24, 25, 100	1	0	88	
	○ 53	PU level display data selection	0 to 3, 5, 6, 8, 10 to 14, 17	1	1	88	
	○ 54	FM terminal function selection	1 to 3, 5, 6, 8, 10 to 14, 17, 21	1	1	88	
	○ 55	Frequency monitoring reference	0 to 120Hz	0.01Hz	60Hz <50Hz>	90	
	○ 56	Current monitoring reference	0 to 500A	0.01A	Rated output current	90	
Automatic restart functions	○ 57	Restart coasting time	0, 0.1 to 5 s, 9999	0.1 s	9999	91	
	○ 58	Restart cushion time	0 to 60 s	0.1 s	1.0 s	91	
Additional function	59	Remote setting function selection	0, 1, 2	1	0	93	
Operation selection functions	○ 60	Intelligent mode selection	0, 3, 4, 9	1	0	95	
	61	Reference I for intelligent mode	0 to 500A, 9999	0.01A	9999	96	
	62	Ref. I for intelligent mode accel.	0 to 150%, 9999	0.1%	9999	96	
	63	Ref. I for intelligent mode decel.	0 to 150%, 9999	0.1%	9999	96	
	○ 65	Retry selection	0 to 5	1	0	97	
	○ 66	Stall prevention operation level reduction starting frequency	0 to 120Hz	0.01Hz	60Hz <50Hz>	79	
	○ 67	Number of retries at alarm occurrence	0 to 10, 101 to 110	1	0	97	
	○ 68	Retry waiting time	0 to 10 s	0.1 s	1 s	97	
	○ 69	Retry count display erasure	0	—	0	97	
	○ 71	Applied motor	0, 1, 2	1	0	99	
	○ 72	PWM frequency selection	0 to 15	1	2	100	
	○ 73	0-5V/0-10V selection	0 to 5, 10 to 15	1	1	101	
	○ 74	Filter time constant	0 to 8	1	1	102	
	○ 75	Reset selection/disconnected PU detection/PU stop selection	0 to 3, 14 to 17	1	14	102	
	5-point flexible V/F characteristics	100	V/F1 (first frequency)	0 to 120Hz, 9999	0.01Hz	9999	110
101		V/F1 (first frequency voltage)	0 to 1000V	0.1V	0	110	
102		V/F2 (second frequency)	0 to 120Hz, 9999	0.01Hz	9999	110	
103		V/F2 (second frequency voltage)	0 to 1000V	0.1V	0	110	
104		V/F3 (third frequency)	0 to 120Hz, 9999	0.01Hz	9999	110	
105		V/F3 (third frequency voltage)	0 to 1000V	0.1V	0	110	
106		V/F4 (fourth frequency)	0 to 120Hz, 9999	0.01Hz	9999	110	

PARAMETERS

Function	Parameter Number	Name	Setting Range	Minimum Setting Increments	Factory Setting (EC Version)	Refer To Page:	Customer Setting
5-point flexible V/F characteristics	107	V/F4 (fourth frequency voltage)	0 to 1000V	0.1V	0	110	
	108	V/F5 (fifth frequency)	0 to 120Hz, 9999	0.01Hz	9999	110	
	109	V/F5 (fifth frequency voltage)	0 to 1000V	0.1V	0	110	
Communication functions	117	Communication station number	0 to 31	1	0	111	
	118	Communication speed	48, 96, 192	1	192	111	
	119	Stop bit length/data length	0, 1 (data length 8) 10, 11 (data length 7)	1	1	111	
	120	Parity check presence/absence	0, 1, 2	1	2	111	
	121	Number of communication retries	0 to 10, 9999	1	1	111	
	122	Communication check time interval	0, 0.1 to 999.8 s, 9999	0.1 s	0 (9999)	111	
	123	Waiting time setting	0 to 150ms, 9999	1ms	9999	111	
	124	CR • LF presence/absence selection	0,1,2	1	1	111	
PID control	128	PID action selection	10, 11, 20, 21 (30, 31 Note 5)	—	10	122	
	129	PID proportional band	0.1 to 1000%, 9999	0.1%	100%	122	
	130	PID integral time	0.1 to 3600 s, 9999	0.1 s	1 s	122	
	131	Upper limit	0 to 100%, 9999	0.1%	9999	122	
	132	Lower limit	0 to 100%, 9999	0.1%	9999	122	
	133	PID action set point for PU operation	0 to 100%	0.01%	0%	122	
	134	PID differential time	0.01 to 10.00 s, 9999	0.01 s	9999	122	
Commercial power supply-inverter switch-over	135	Commercial power supply-inverter switch-over sequence output terminal selection	0, 1	1	0	129	
	136	MC switch-over interlock time	0 to 100.0 s	0.1 s	1.0 s	129	
	137	Start waiting time	0 to 100.0 s	0.1 s	0.5 s	129	
	138	Commercial power supply-inverter switch-over selection at alarm occurrence	0, 1	1	0	129	
	139	Automatic inverter-commercial power supply switch-over frequency	0 to 60.00Hz, 9999	0.01Hz	9999	129	
Backlash	140	Backlash acceleration stopping frequency (Note 2)	0 to 120Hz	0.01Hz	1.00Hz	81	
	141	Backlash acceleration stopping time (Note 2)	0 to 360 s	0.1 s	0.5 s	81	
	142	Backlash deceleration stopping frequency (Note 2)	0 to 120Hz	0.01Hz	1.00Hz	81	
	143	Backlash deceleration stopping time (Note 2)	0 to 360 s	0.1 s	0.5 s	81	
Display	144	Speed setting switch-over	0, 2, 4, 6, 8, 10, 102, 104, 106, 108, 110	1	4	84	
Additional functions	145	Parameter for option (FR-PU04)					
	148	Stall prevention operation level at 0V input	0 to 150%	0.1%	120%	79	
	149	Stall prevention operation level at 10V input	0 to 150%	0.1%	150%	79	

Function	Parameter Number	Name	Setting Range	Minimum Setting Increments	Factory Setting (EC Version)	Refer To Page:	Customer Setting
Current detection	152	Zero current detection level	0 to 200.0%	0.1%	5.0%	135	
	153	Zero current detection period	0 to 1 s	0.01 s	0.5 s	135	
Sub functions	154	Voltage reduction selection during stall prevention operation	0, 1	1	1	79	
	155	RT signal activated condition	0, 10	1	0	136	
	156	Stall prevention operation selection	0 to 31, 100, 101	1	0	136	
	157	OL signal waiting time	0 to 25 s, 9999	0.1 s	0	138	
	158	AM terminal function selection	1 to 3, 5 to 6, 8, 10 to 14, 17, 21	1	1	88	
Additional function	○ 160	User group read selection	0, 1, 10, 11, 9999	1	9999	139	
Automatic restart after instantaneous power failure	162	Automatic restart after instantaneous power failure selection	0, 1	1	0	91	
	163	First cushion time for restart	0 to 20 s	0.1 s	0 s	91	
	164	First cushion voltage for restart	0 to 100%	0.1%	0%	91	
	165	Restart stall prevention operation level	0 to 150%	0.1%	120%	91	
Sub functions	168	Parameters set by the manufacturer. Do not set.					
	169						
Initial monitor	170	Watt-hour meter clear	0	—	0	140	
	171	Actual operation hour meter clear	0	—	0	140	
User functions	173	User group 1 registration	0 to 999	1	0	139	
	174	User group 1 deletion	0 to 999, 9999	1	0	139	
	175	User group 2 registration	0 to 999	1	0	139	
	176	User group 2 deletion	0 to 999, 9999	1	0	139	
Terminal assignment functions	○ 180	RL terminal function selection	0 to 7, 10 to 14, 16, 9999 (24 Note 5)	1	0	140	
	○ 181	RM terminal function selection		1	1	140	
	○ 182	RH terminal function selection		1	2	140	
	○ 183	RT terminal function selection		1	3	140	
	○ 184	AU terminal function selection		1	4	140	
	○ 185	JOG terminal function selection		1	5	140	
	○ 186	CS terminal function selection		1	6	140	
	○ 190	RUN terminal function selection	0 to 5, 8, 10, 11, 13 to 19, 25, 26, 98 to 105, 108, 110, 111, 113 to 116, 125, 126, 198, 199, 9999 (40 to 48 Note 5)	1	0	142	
	○ 191	SU terminal function selection		1	1	142	
	○ 192	IPF terminal function selection		1	2	142	
	○ 193	OL terminal function selection		1	3	142	
○ 194	FU terminal function selection	1		4	142		
○ 195	A, B, C terminal function selection	1	99	142			
Additional function	199	User's initial value setting	0 to 999, 9999	1	0	144	

PARAMETERS

Function	Parameter Number	Name	Setting Range	Minimum Setting Increments	Factory Setting (EC Version)	Refer To Page:	Customer Setting	
Sub functions	○ 240	Soft-PWM setting	0, 1	1	1	100		
	○ 244	Cooling fan operation selection	0, 1	1	0	145		
Additional function	251	Output phase failure protection selection	0, 1	1	1	145		
	252	Override bias	0 to 200%	0.1%	50%	146		
	253	Override gain	0 to 200%	0.1%	150%	146		
Advanced PID control functions (Note 5)	500	Auxiliary motor operation selection	0 to 3	1	0	147		
	501	Motor switch-over selection	0 to 2	1	0	147		
	502	MC switching interlock time	0 to 100s	0.1s	1s	147		
	503	Start waiting time	0 to 100s	0.1s	1s	147		
	504	Auxiliary motor connection-time deceleration time	0 to 3600s	0.1s/0.01s	1s	147		
	505	Auxiliary motor disconnection-time acceleration time	0 to 3600s, 9999	0.1s/0.01s	1s	147		
	506	Output stop detection time	0 to 3600s, 9999	0.1s/0.01s	9999	147		
	507	Output stop detection level	0 to 120Hz	0.01Hz	0Hz	147		
	508	Output stop cancel process value level	0 to 100%	0.1%	100%	147		
	509	Auxiliary motor 1 starting frequency	0 to 120Hz	0.01Hz	60Hz <50Hz	147		
	510	Auxiliary motor 2 starting frequency	0 to 120Hz	0.01Hz	60Hz <50Hz	147		
	511	Auxiliary motor 3 starting frequency	0 to 120Hz	0.01Hz	60Hz <50Hz	147		
	512	Auxiliary motor 1 stopping frequency	0 to 120Hz	0.01Hz	0Hz	147		
	513	Auxiliary motor 2 stopping frequency	0 to 120Hz	0.01Hz	0Hz	147		
	514	Auxiliary motor 3 stopping frequency	0 to 120Hz	0.01Hz	0Hz	147		
	515	Auxiliary motor start delay time	0 to 3600s	0.1s	5s	147		
516	Auxiliary motor stop delay time	0 to 3600s	0.1s	5s	147			
Calibration functions	○ 900	FM terminal calibration	—	—	—	158		
	○ 901	AM terminal calibration	—	—	—	158		
	○ 902	Frequency setting voltage bias	0 to 10V	0 to 60Hz	0.01Hz	0V	0Hz	160
	○ 903	Frequency setting voltage gain	0 to 10V	1 to 120Hz	0.01Hz	5V	60Hz <50Hz	160
	○ 904	Frequency setting current bias	0 to 20mA	0 to 60Hz	0.01Hz	4 mA	0Hz	160
	○ 905	Frequency setting current gain	0 to 20mA	1 to 120Hz	0.01Hz	20 mA	60Hz <50Hz	160
Additional function	○ 990	PU buzzer control	0, 1	1	1	165		
	991	Parameter for option (FR-PU04)						

- Note: 1. The setting depends on the inverter capacity.
 2. Can be accessed when Pr. 29 = 3.
 3. The half-tone screened parameters allow their settings to be changed during operation if 0 (factory setting) has been set in Pr. 77. (Note that the Pr. 72 and Pr. 240 settings cannot be changed during external operation.)
 The parameters which can be changed whilst the inverter is running will also depend upon the setting of Pr. 160 "user group read selection".
 4. The setting depends on the inverter capacity: (0.75K)/(1.5K to 3.7K)/(5.5K, 7.5K)/(11K or more).
 5. Setting may be made for the NA and EC versions only.

4.1.2 List of Parameters Classified by Purposes of Use

Set the parameters according to the operating conditions. The following list indicates purposes of use and parameters.

Purpose of Use		Parameter Numbers
		Parameter numbers which must be set
Related to operation	Switch-over to optimum excitation control operation	Pr. 14, Pr. 60
	Adjustment of acceleration/deceleration time and pattern	Pr. 7, Pr. 8, Pr. 20, Pr. 21, Pr. 160
	Selection of optimum output characteristic for load characteristic	Pr. 3, Pr. 14, Pr. 19, Pr. 60
	Limit of output frequency	Pr. 1, Pr. 2
	Operation over 60Hz	Pr. 903, Pr. 905
	Adjustment of frequency setting signal and output	Pr. 73, Pr. 74, Pr. 902 to Pr. 905
	Adjustment of motor output torque	Pr. 0
	Adjustment of brake operation	Pr. 10, Pr. 11, Pr. 12
	Multi-speed operation	Pr. 1, Pr. 2, Pr. 4, Pr. 5, Pr. 6, Pr. 15, Pr. 24, Pr. 25, Pr. 26, Pr. 27, Pr. 160
	Jog operation	Pr. 15, Pr. 16
	Frequency jump operation	Pr. 31, Pr. 32, Pr. 33, Pr. 34, Pr. 35, Pr. 36
	Automatic restart after instantaneous power failure	Pr. 57, Pr. 58
Optimum acceleration/deceleration within continuous rating range	Pr. 60	
Related to application operation	To perform commercial power supply ↔ inverter switch-over operation	Pr. 135 to Pr. 139, Pr. 160, Pr. 180 to Pr. 186, Pr. 190 to Pr. 195
	Timing of magnetic brake operation	Pr. 42, Pr. 160, Pr. 190 to Pr. 195
	Reversible operation according to analog signal polarity	Pr. 28, Pr. 73
	Sub-motor operation	Pr. 0, Pr. 3, Pr. 7, Pr. 8, Pr. 44, Pr. 45, Pr. 46, Pr. 47
	To make desired output characteristics	Pr. 100 to Pr. 109
	Operation via communication with personal computer	Pr. 117 to Pr. 124, Pr. 160
	Operation under PID control	Pr. 73, Pr. 79, Pr. 128 to Pr. 134, Pr. 160, Pr. 180 to Pr. 186, Pr. 190 to Pr. 195
	Advanced PID control (NA, EC versions only)	Pr. 128, Pr. 130 to Pr. 134, Pr. 180 to Pr. 186, Pr. 190 to Pr. 195, (Pr. 320 to Pr. 322), Pr. 500 to Pr. 516
To make backlash compensation	Pr. 140 to Pr. 143	
To suppress noise	Pr. 72, Pr. 240	
Related to monitoring	Calibration of frequency meter	Pr. 54, Pr. 55, Pr. 56, Pr. 158, Pr. 160, Pr. 900, Pr. 901
	Adjustment of digital frequency meter	Pr. 54, Pr. 55, Pr. 56, Pr. 900
	Display of speed, etc.	Pr. 37, Pr. 52, Pr. 53, Pr. 160
	Clearing of inverter's actual operation time	Pr. 171
	Alarm code output selection	Pr. 76
Related to incorrect operation prevention	Function rewrite prevention	Pr. 77
	Reverse rotation prevention	Pr. 78
	To group parameters	Pr. 160, Pr. 173 to Pr. 176
	To set initial values for parameters	Pr. 199
Others	Assignment of input terminal functions	Pr. 180 to Pr. 186
	Assignment of output terminal functions	Pr. 190 to Pr. 195
	To increase cooling fan life	Pr. 244
	Motor overheat protection	Pr. 9, Pr. 71
	Automatic restart after alarm stop	Pr. 65, Pr. 67, Pr. 68, Pr. 69
	Selection of key beep	Pr. 990
	Inverter reset selection	Pr. 75
	Output phase failure protection selection	Pr. 251

4.2 Parameter Function Details

4.2.1 Torque boost (Pr. 0, Pr. 46)

Pr. 0 "torque boost"

Pr. 46 "second torque boost"

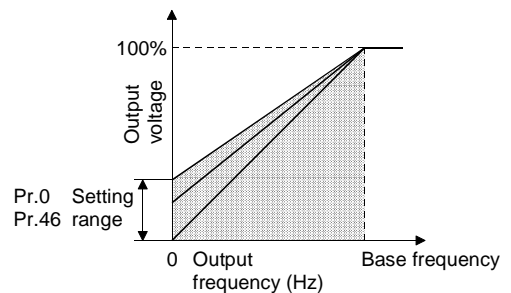
Related parameters

- Pr. 3 "base frequency"
- Pr. 19 "base frequency voltage"
- Pr. 71 "applied motor"
- Pr. 180 to Pr. 186
(input terminal function selection)

You can compensate for a voltage drop in the low frequency range to improve motor torque reduction in the low speed range.

- Motor torque in the low-frequency range can be adjusted to the load to increase the starting motor torque.
- You can select any of the starting torque boosts by terminal switching.

Parameter Number	Factory Setting	Setting Range	Remarks
0	0.75K	6%	—
	1.5K to 3.7K	4%	
	5.5K, 7.5K	3%	
	11K or more	2%	
46	9999	0 to 30%, 9999	9999: Function invalid



<Setting>

- Assuming that the base frequency voltage is 100%, set the 0Hz voltage in %.
- A large setting will cause the motor to overheat. The guideline for maximum value is about 10%.
- Pr. 46 "second torque boost" is valid when the RT signal is on. (Note 3)

Note: 1. When the Pr. 0 setting is either of the following values for 5.5K and 7.5K, it is automatically changed when the Pr.71 setting is changed:

(1) When Pr. 0 setting is 3% (factory setting)

The Pr. 0 setting is changed to 2% automatically when the Pr. 71 setting is changed from [general-purpose motor selection value (0, 2)] to [constant-torque motor selection value (1)].

(2) When Pr. 0 setting is 2%

The Pr. 0 setting is changed to 3% (factory setting) automatically when the Pr. 71 setting is changed from [constant-torque motor selection value (1)] to [general-purpose motor selection value (0, 2)].

2. Increase the setting when the inverter-to-motor distance is long or motor torque in the low-speed range is insufficient, for example. A too large setting may result in an overcurrent trip.
3. The RT signal serves as the second function selection signal and makes the other second functions valid. Refer to page 140 for Pr. 180 to Pr. 186 (input terminal function selection).

4.2.2 Output frequency range (Pr. 1, Pr. 2)

Pr. 1 "maximum frequency"

Pr. 2 "minimum frequency"

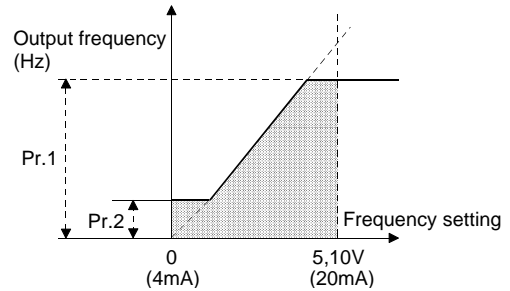
Related parameters

- Pr. 13 "starting frequency"
- Pr. 903 "frequency setting voltage gain"
- Pr. 905 "frequency setting current gain"

Used to clamp the upper and lower limits of the output frequency.

- Can be used to set the upper and lower limits of motor speed.

Parameter Number	Factory Setting	Setting Range
1	120Hz	0 to 120Hz
2	0Hz	0 to 120Hz



<Setting>

- Use Pr. 1 to set the upper limit of the output frequency. If the frequency of the frequency command entered is higher than the setting, the output frequency is clamped at the maximum frequency.
- Use Pr. 2 to set the lower limit of the output frequency.

Note: When the frequency setting analog signal is used to run the motor beyond 60Hz, change the Pr. 903 and Pr. 905 values. If Pr. 1 is only changed, the motor cannot run beyond 60Hz.

! CAUTION

! When the Pr. 2 setting is higher than the Pr. 13 "starting frequency" value, note that the motor will run at the preset frequency according to the acceleration time setting by merely switching the start signal on, even if the command frequency has not been entered.

4.2.3 Base frequency, base frequency voltage (Pr. 3, Pr. 19, Pr. 47)

Pr. 3 "base frequency"

Pr. 19 "base frequency voltage"

Pr. 47 "second V/F (base frequency)"

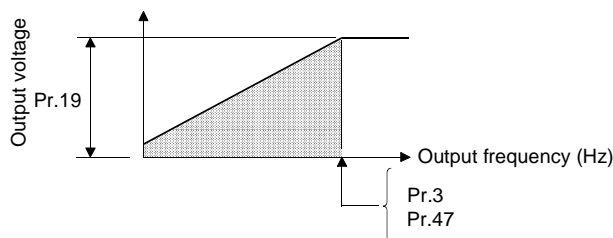
— Related parameters —

Pr. 14 "load pattern selection"
Pr. 71 "applied motor"
Pr. 180 to Pr. 186 (input terminal
function selection)

Used to adjust the inverter outputs (voltage, frequency) to the motor rating.

- When running a standard motor, generally set the rated motor frequency. When running the motor using the commercial power supply-inverter switch-over, set the base frequency to the same value as the power supply frequency.
- If the frequency given on the motor rating plate is "50Hz" only, always set to "50Hz". Leaving it as "60Hz" may make the voltage too low and the torque less, resulting in overload tripping. Care must be taken especially when Pr. 14 "load pattern selection" = 1.

Parameter Number	Factory Setting	Setting Range	Remarks
3	60Hz (50Hz)	0 to 120Hz	
19	9999 (8888)	0 to 1000V, 8888, 9999	8888: 95% of power supply voltage 9999: Same as power supply voltage
47	9999	0 to 120Hz, 9999	9999: Function invalid



<Setting>

- Use Pr. 3 and Pr. 47 to set the base frequency (rated motor frequency).
- Pr. 47 "Second V/F (base frequency)" is valid when the RT signal is on. (Note 3)
- Use Pr. 19 to set the base voltage (e.g. rated motor voltage).

Note: 1. Set 60Hz in Pr. 3 "base frequency" when using a constant-torque motor.
2. When "2" (5-point flexible V/F characteristics) is set in Pr. 71, the Pr. 47 setting is made invalid.
3. The RT signal serves as the second function selection signal and makes the other second functions valid. Refer to page 140 for Pr. 180 to Pr. 186 (input terminal function selection).

4.2.4 Multi-speed operation (Pr. 4 to Pr. 6, Pr. 24 to Pr.27)

Pr. 4 "multi-speed setting (high speed)"

Pr. 5 "multi-speed setting (middle speed)"

Pr. 6 "multi-speed setting (low speed)"

Pr. 24 to Pr. 27 "multi-speed setting (speeds 4 to 7)"

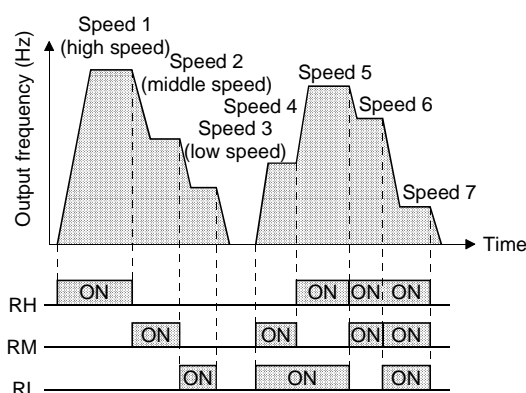
Related parameters

- Pr. 1 "maximum frequency"
- Pr. 2 "minimum frequency"
- Pr. 15 "jog frequency"
- Pr. 28 "multi-speed input compensation"
- Pr. 29 "acceleration/deceleration pattern"
- Pr. 79 "operation mode selection"
- Pr. 180 to Pr. 186 (input terminal function selection)

Used to preset the running speeds in parameters and switch between them using terminals.

- Any speed can be selected by switching on-off the contact signal (RH, RM, RL or REX signal).
- By using these functions with Pr. 15 "jog frequency", Pr. 1 "maximum frequency" and Pr. 2 "minimum frequency", up to 10 speeds can be set.
- Valid in the external operation mode or PU/external combined operation mode (Pr. 79 = 3 or 4).

Parameter Number	Factory Setting	Setting Range	Remarks
4	60Hz	0 to 120Hz	
5	30Hz	0 to 120Hz	
6	10Hz	0 to 120Hz	
24 to 27	9999	0 to 120Hz, 9999	9999: Not selected



<Setting>

- Set the running frequencies in the corresponding parameters.

Each speed (frequency) can be set as desired between 0 and 120Hz during inverter operation.

After the required multi-speed setting parameter has been read, the setting can be changed by pressing the / key. (In this case, when you release the / key, press the key to store the set frequency.

When using the FR-PU04 (option), press the key.)

- Note:
1. The multi-speed settings override the main speeds (across terminals 2-5, 4-5).
 2. The multi-speeds can also be set in the PU or external operation mode.
 3. For 3-speed setting, if two or three speeds are simultaneously selected, priority is given to the frequency setting of the lower signal.
 4. Pr. 24 to Pr. 27 settings have no priority between them.
 5. The parameter values can be changed during operation.
 6. When input terminal assignment is changed using Pr. 180 to Pr. 186, other functions may be affected. Check the functions of the corresponding terminals before making setting.

4.2.5 Acceleration/deceleration time (Pr. 7, Pr. 8, Pr. 20, Pr. 21, Pr. 44, Pr. 45)

Pr. 7 "acceleration time"

Pr. 8 "deceleration time"

Pr. 20 "acceleration/deceleration reference frequency"

Pr. 21 "acceleration/deceleration time increments"

Pr. 44 "second acceleration/deceleration time"

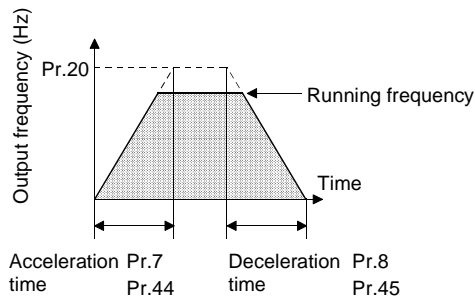
Pr. 45 "second deceleration time"

Related parameters
Pr. 3 "base frequency"
Pr. 29 "acceleration/deceleration pattern"

Used to set motor acceleration/deceleration time.

Set a larger value for a slower speed increase/decrease or a smaller value for a faster speed increase/decrease.

Parameter Number	Factory Setting	Setting Range	Remarks
7	7.5K or less	5 s	0 to 3600 s/0 to 360 s
	11K or more	15 s	
8	7.5K or less	10 s	0 to 3600 s/0 to 360 s
	11K or more	30 s	
20	60Hz (50Hz)	1 to 120Hz	
21	0	0, 1	0: 0 to 3600 s, 1: 0 to 360 s
44	7.5K or less	5 s	0 to 3600 s/0 to 360 s
	11K or more		
45	7.5K or less	9999	0 to 3600 s/0 to 360 s, 9999
	11K or more		



<Setting>

- Use Pr. 21 to set the acceleration/deceleration time and minimum setting increments:
Set value "0" (factory setting) 0 to 3600 s (minimum setting increments: 0.1 s)
Set value "1" 0 to 360 s (minimum setting increments: 0.01 s)
- When you have changed the Pr. 21 setting, set the deceleration time again.
- Use Pr. 7 and Pr. 44 to set the acceleration time required to reach the frequency set in Pr. 20 from 0Hz.
- Use Pr. 8 and Pr. 45 to set the deceleration time required to reach 0Hz from the frequency set in Pr. 20.
- Pr. 44 and Pr. 45 are valid when the RT signal is on. When the RT signal is on, the other second functions such as second torque boost are also selected.
- Set "9999" in Pr. 45 to make the deceleration time equal to the acceleration time Pr. 44.

Note: Changing the Pr. 21 setting changes the acceleration/deceleration setting (Pr. 7, Pr. 8, Pr. 16, Pr. 44, Pr. 45, Pr. 504, Pr. 505)
<Example>
When Pr. 21 = "0", setting "5.0" s in Pr. 7 and "1" in Pr. 21 changes the Pr.7 setting to "0.5" s.

Note: 1. In S-shaped acceleration/deceleration pattern A (refer to page 81), the set time is a period required to reach the base frequency set in Pr. 3.

- Acceleration/deceleration time calculation expression when the set frequency is the base frequency or higher

$$t = \frac{4}{9} \times \frac{T}{(\text{Pr.3})^2} \times f^2 + \frac{5}{9} T$$

T: Acceleration/deceleration time setting(s)

f: Set frequency (Hz)

- Guideline for acceleration/deceleration time at the base frequency of 60Hz (0Hz to set frequency)

Frequency setting (Hz)	60	120
Acceleration/ deceleration time (s)		
5	5	12
15	15	35

2. If the Pr. 20 setting is changed, the settings of calibration functions Pr. 903 and Pr. 905 (frequency setting signal gains) remain unchanged. To adjust the gains, adjust calibration functions Pr. 903 and Pr. 905.
3. When the setting of Pr. 7, Pr. 8, Pr. 44 or Pr. 45 is "0", the acceleration/deceleration time is 0.04 s.
4. If the shortest acceleration/deceleration time is set, the actual motor acceleration/deceleration time cannot be made shorter than the shortest acceleration/deceleration time determined by the mechanical system's J (moment of inertia) and motor torque.

4.2.6 Electronic overcurrent protection (Pr. 9)

Pr. 9 "electronic thermal O/L relay"

Related parameter
Pr. 71 "applied motor"

Set the current of the electronic overcurrent protection to protect the motor from overheat. This feature provides the optimum protective characteristics, including reduced motor cooling capability, at low speed.

Parameter Number	Factory Setting	Setting Range
9	Rated output current	0 to 500A

<Setting>

- Set the rated current [A] of the motor.
(Normally set the rated current value at 50Hz if the motor has both 50Hz and 60Hz rated current.)
- Setting of "0" makes the electronic overcurrent protection (motor protective function) invalid. (The inverter's output transistor protective function is valid.)
- When using a Mitsubishi constant-torque motor, first set "1" in Pr. 71 to choose the 100% continuous torque characteristic in the low-speed range. Then, set the rated motor current in Pr. 9.

Note: 1. When two or more motors are connected to the inverter, they cannot be protected by the electronic overcurrent protection. Install an external thermal relay to each motor.

2. When a difference between the inverter and motor capacities is large and the setting is small, the protective characteristics of the electronic overcurrent protection will be deteriorated. In this case, use an external thermal relay.

3. A special motor cannot be protected by the electronic overcurrent protection. Use an external thermal relay.

4.2.7 DC injection brake (Pr. 10 to Pr. 12)

Pr. 10 "DC injection brake operation frequency"

Pr. 11 "DC injection brake operation time"

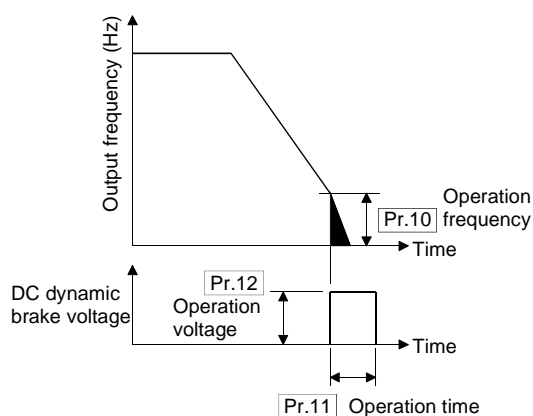
Pr. 12 "DC injection brake voltage"

Related parameters

Pr. 13 "starting frequency"
Pr. 71 "applied motor"

By setting the DC injection brake voltage (torque) at a stop, operation time and operation starting frequency, the stopping accuracy of positioning operation, etc. or the timing of operating the DC injection brake to stop the motor is adjusted according to the load.

Parameter Number	Factory Setting	Setting Range	Remarks
10	3Hz	0 to 120Hz, 9999	9999: Operated at or below Pr. 13 value.
11	0.5 s	0 to 10 s, 8888	8888: Operated when X13 signal switches on.
12	7.5K or less	4%	0 to 30%
	11K or more	2%	



<Setting>

- Use Pr. 10 to set the frequency at which the DC injection brake application is started.
By setting "9999" in Pr. 10, the motor is decelerated to the frequency set in Pr. 13 and braked.
- Use Pr. 11 to set the period during when the brake is operated. By setting "8888" in Pr. 11, the DC injection brake is operated while the X13 signal is on.
- Use any of Pr. 180 to Pr. 186 to assign the terminal used to input the X13 signal.
- Use Pr. 12 to set the percentage of the power supply voltage.
- When using the inverter dedicated motor (constant-torque motor SF-JRCA), change the Pr. 12 setting as follows: 3.7K or less...4%, 5.5K or more...2% (Note 1)

Note: 1. When the Pr. 12 setting is either of the following values for 5.5K and 7.5K, it is automatically changed when the Pr. 71 setting is changed:

- (1) When Pr. 12 setting is 4% (factory setting)
The Pr. 12 setting is changed to 2% automatically when the Pr. 71 setting is changed from [general-purpose motor selection value (0, 2)] to [constant-torque motor selection value (1)].
- (2) When Pr. 12 setting is 2%
The Pr. 12 setting is changed to 4% (factory setting) automatically when the Pr. 71 setting is changed from [constant-torque motor selection value (1)] to [general-purpose motor selection value (0, 2)].

2. When Pr. 11 = "0" or Pr. 12 = "0", DC injection brake operation cannot be performed.

⚠ CAUTION

⚠ Install a mechanical brake. No holding torque is provided.

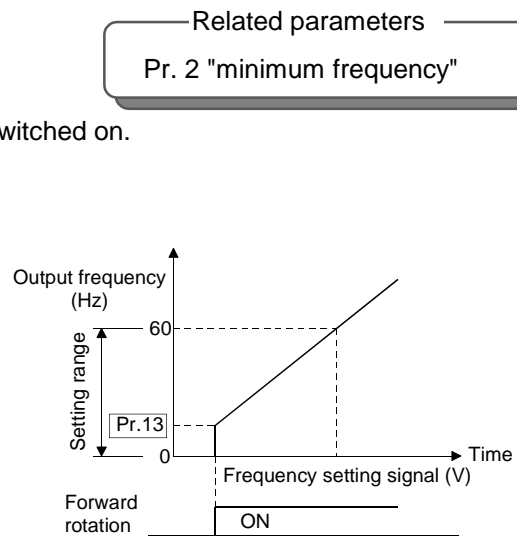
4.2.8 Starting frequency (Pr. 13)

Pr. 13 "starting frequency"

You can set the starting frequency between 0 and 60Hz.

- Set the starting frequency at which the start signal is switched on.

Parameter Number	Factory Setting	Setting Range
13	0.5Hz	0 to 60Hz



Note: The inverter will not start if the frequency setting signal is less than the value set in Pr. 13 "starting frequency".

For example, when 5Hz is set in Pr. 13, the motor will start running when the frequency setting signal reaches 5Hz.

⚠ CAUTION

- ⚠ When the Pr. 13 setting is lower than the Pr. 2 value, note that the motor will start running at the preset speed by merely turning the start signal on, even if the command frequency has not been entered.

4.2.9 Load pattern selection (Pr. 14)

Pr. 14 "load pattern selection"

Related parameters
Pr. 60 "intelligent mode selection"

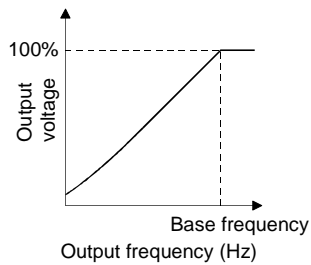
You can select the optimum output characteristic (V/F characteristic) for the application and load characteristics.

When "4" (energy-saving mode) or "9" (optimum magnetic flux control mode) is set in Pr.60 "intelligent mode selection", the output voltage is automatically set by the intelligent mode. (Refer to page 95)

Parameter Number	Factory Setting	Setting Range
14	1	0, 1

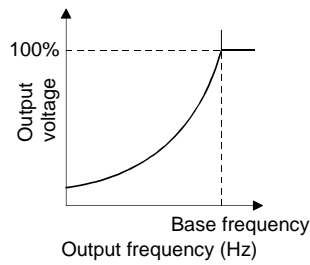
Pr.14=0

For constant-torque loads
(e.g. conveyor, cart)



Pr.14=1

For variable-torque loads
(Fan, pump)



Setting	Output Characteristics	Application
0	For constant-torque load	Conveyor, cart, etc.
1	For variable-torque load	Fan, pump

4.2.10 Jog operation (Pr. 15, Pr. 16)

Pr. 15 "jog frequency"

Pr. 16 "jog acceleration/deceleration time"

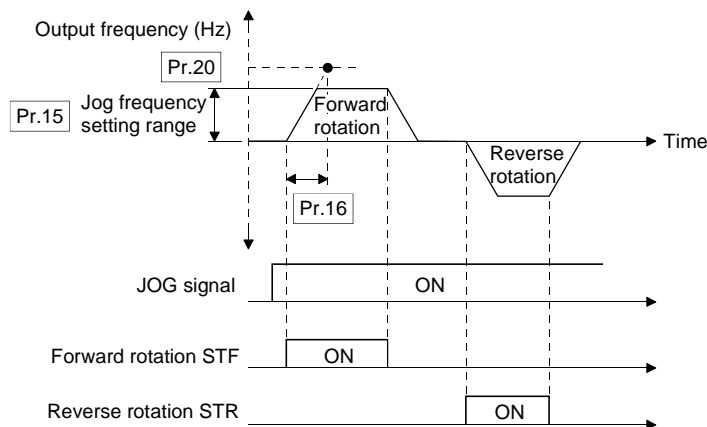
Related parameters

- Pr. 20 "acceleration/deceleration reference frequency"
- Pr. 21 "acceleration/deceleration time increments"
- Pr. 79 "operation mode selection"
- Pr. 180 to Pr. 186
(input terminal function selection)

In the external operation mode, jog operation can be started and stopped by the start signal (STF, STR) with the jog signal ON, after selection of the jog operation function using the input terminal function selection. In the PU operation mode, jog operation can also be performed using the PU (FR-DU04/FR-PU04).

- Set the frequency and acceleration/deceleration time for jog operation

Parameter Number	Factory Setting	Setting Range	Remarks
15	5Hz	0 to 120Hz	
16	0.5 s	0 to 3600 s	When Pr. 21 = 0
		0 to 360 s	When Pr. 21 = 1



- Note: 1. In S-shaped acceleration/deceleration pattern A, the set time is a period of time required to reach Pr. 3 "base frequency".
2. The acceleration time and deceleration time cannot be set separately for jog operation.
3. The value set in Pr. 15 "jog frequency" should be equal to or greater than the Pr. 13 "starting frequency" setting.

4.2.11 MRS input selection (Pr. 17)

Pr. 17 "MRS input selection"

Used to select the logic of the MRS signal.

When the MRS signal switches on, the inverter shuts off the output.

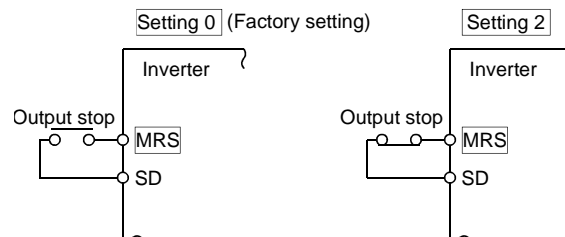
Parameter Number	Factory Setting	Setting Range
17	0	0, 2

<Setting>

Pr. 17 Setting	Specifications of MRS Signal
0	Normally open input
2	Normally closed input (N/C contact input specifications)

<Wiring example>

- For sink logic



Pr. 19 → Refer to Pr. 3.

Pr. 20, Pr. 21 → Refer to Pr. 7, Pr. 8.

4.2.12 Stall prevention (Pr. 22, Pr. 23, Pr. 66, Pr. 148, Pr. 149, Pr. 154)

Pr. 22 "stall prevention operation level"

Pr. 23 "stall prevention operation level

compensation factor at double speed"

Pr. 66 "stall prevention operation level reduction

starting frequency"

Pr. 148 "stall prevention operation level at 0V input"

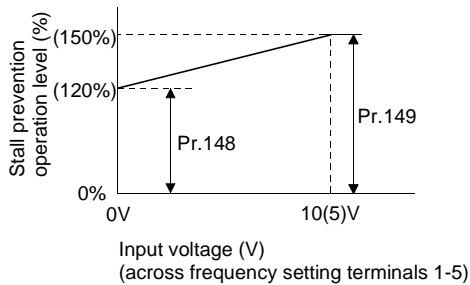
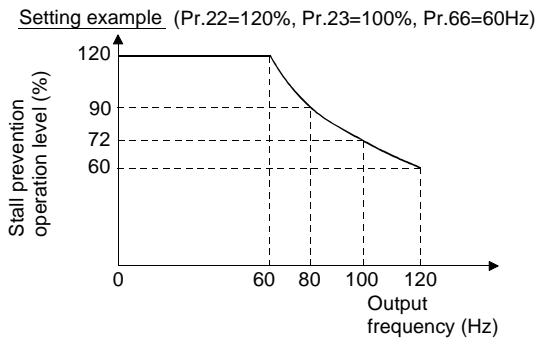
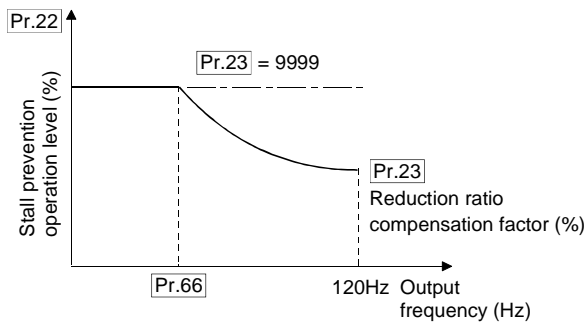
Pr. 149 "stall prevention operation level at 10V input"

Pr. 154 "voltage reduction selection during stall prevention operation"

Related parameters
 Pr. 9 "electronic thermal O/L relay"
 Pr. 48 "second stall prevention operation current"
 Pr. 49 "second stall prevention operation frequency"
 Pr. 73 "0-5V/0-10V selection"
 Pr. 156 "stall prevention operation selection"

- Set the output current level at which the output frequency is adjusted so that the inverter will not come to an alarm stop due to overcurrent etc.
- For high-speed operation at or over the more base frequency, acceleration may not be made because the motor current does not increase. To improve the operation characteristics of the motor in such a case, the stall prevention level in the high-frequency range can be reduced. This is effective for operation of a centrifugal separator up to the high-speed range. Normally, set 60Hz (50Hz) in Pr. 66 and 100% in Pr. 23.
- In order to provide torque during stall prevention, Pr. 154 is factory-set not to reduce the output voltage. The setting of reducing the output voltage further decreases the probability of overcurrent trip occurrence.
- The stall prevention operation level can be varied by entering the analog signal into terminal 1.

Parameter Number	Factory Setting	Setting Range	Remarks
22	120%	0 to 150%, 9999	9999: Analog variable
23	9999	0 to 200%, 9999	9999: Constant according to Pr. 22
66	60Hz (50Hz)	0 to 120Hz	
148	120%	0 to 150%	(Bias)
149	150%	0 to 150%	(Gain)
154	1	0, 1	0: Output voltage reduced 1: Output voltage not reduced



<Setting>

- In Pr. 22, set the stall prevention operation level. Normally set it to 120% (factory setting). Set "0" in Pr. 22 to disable the stall prevention operation.
- To reduce the stall prevention operation level in the high-frequency range, set the reduction starting frequency in Pr. 66 and the reduction ratio compensation factor in Pr. 23.

Calculation expression for stall prevention operation level

$$\text{Stall prevention operation level (\%)} = A + B \times \left[\frac{\text{Pr.22-A}}{\text{Pr.22-B}} \right] \times \left[\frac{\text{Pr.23-100}}{100} \right]$$

where, $A = \frac{\text{Pr.66 (Hz)} \times \text{Pr.22 (\%)}}{\text{output frequency (Hz)}}$, $B = \frac{\text{Pr.66 (Hz)} \times \text{Pr.22 (\%)}}{120\text{Hz}}$

- By setting "9999" (factory setting) in Pr. 23, the stall prevention operation level is constant at the Pr. 22 setting up to 120Hz.
- Set "9999" in Pr. 22 to vary the stall prevention operation level using the analog signal (0-5V/0-10V) entered to the frequency setting auxiliary input terminal [1]. (Use Pr. 73 to select between 10V and 5V.)
- Use Pr. 148 and Pr. 149 to adjust the gain and bias of the analog signal.
- Set "0" in Pr. 154 to reduce the output voltage during stall prevention operation.

Note: 1. When Pr. 22 = "9999", terminal 1 is exclusively used for setting the stall prevention operation level. The auxiliary input and override functions are not activated.

 **CAUTION**

- ⚠ **Do not set a too small value as the stall prevention operation current. Otherwise, torque generated will reduce.**
- ⚠ **Test operation must be performed. Stall prevention operation during acceleration may increase the acceleration time.**
Stall prevention operation during constant speed may change the speed suddenly.
Stall prevention operation during deceleration may increase the deceleration time, increasing the deceleration distance.

Pr. 24 to Pr. 27 → Refer to Pr. 4 to Pr. 6.

4.2.13 Multi-speed input compensation (Pr. 28)

Pr. 28 "multi-speed input compensation"

— Related parameters —

Pr. 4 to Pr. 6, Pr. 24 to Pr. 27 (multi-speed operation)
 Pr. 59 "remote setting function selection"
 Pr. 73 "0-5V/0-10V selection"

By entering a compensation signal into the frequency setting auxiliary input terminal 1 (Note 2), the speeds (frequencies) of multi-speed settings or the speed setting made by remote setting function can be compensated for.

Parameter Number	Factory Setting	Setting Range	Remarks
28	0	0, 1	0: Not compensated 1: Compensated

Note: 1. Use Pr. 73 to select the compensation input voltage between 0 to ±5V and 0 to ±10V.
 2. When any of "4, 5, 14 and 15" is set in Pr. 73, the compensation signal is entered into terminal 2. (Override functions)

4.2.14 Acceleration/deceleration pattern (Pr. 29, Pr.140 to Pr.143)

Pr. 29 "acceleration/deceleration pattern"

Pr. 140 "backlash acceleration stopping frequency"

Pr. 141 "backlash acceleration stopping time"

Pr. 142 "backlash deceleration stopping frequency"

Pr. 143 "backlash deceleration stopping time"

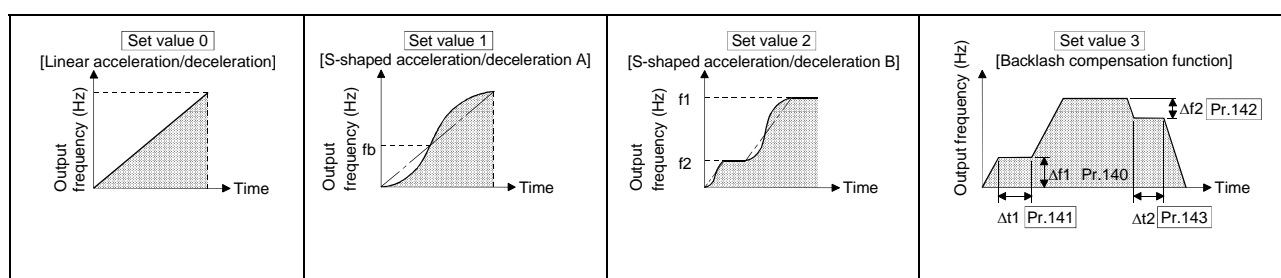
Related parameters

- Pr. 3 "base frequency"
- Pr. 7 "acceleration time"
- Pr. 8 "deceleration time"
- Pr. 20 "acceleration/deceleration reference frequency"
- Pr. 44 "second acceleration/ deceleration time"
- Pr. 45 "second deceleration time"

Set the acceleration/deceleration pattern.

Also, you can suspend acceleration/deceleration at set frequencies and for the time period set in the parameters.

Parameter Number	Factory Setting	Setting Range	Remarks
29	0	0, 1, 2, 3	3: Backlash compensation
140	1.00Hz	0 to 120Hz	Valid when Pr. 29 = 3.
141	0.5 s	0 to 360 s	Valid when Pr. 29 = 3.
142	1.00Hz	0 to 120Hz	Valid when Pr. 29 = 3.
143	0.5 s	0 to 360 s	Valid when Pr. 29 = 3.



<Setting>

Pr. 29 Setting	Function	Description
0	Linear acceleration/ deceleration	Linear acceleration/deceleration is made up/down to the preset frequency (factory setting).
1	S-shaped acceleration/ deceleration A (Note 1)	For machine tool spindles This setting is used when it is necessary to make acceleration/deceleration in a short time up to the 60Hz or higher speed range. In this acceleration/deceleration pattern, f_b (base frequency) is always the inflection point of an S shape, and you can set the acceleration/deceleration time according to the reduction in motor torque in the 60Hz or higher constant-output operation range.
2	S-shaped acceleration/ deceleration B	Prevention of cargo collapse on conveyor, etc. This setting provides S-shaped acceleration/deceleration from f_2 (current frequency) to f_1 (target frequency), easing an acceleration/deceleration shock. This pattern has an effect on the prevention of cargo collapse, etc.
3	Backlash compensation (Note 2, 3)	Backlash compensation for reduction gear, etc. This function stops the speed change temporarily during acceleration/deceleration, reducing a shock generated when a reduction gear backlash is eliminated suddenly. Use Pr. 140 to Pr. 143 to set the stopping times and stopping frequencies in accordance with the above diagrams.

- Note:
- For the acceleration/deceleration time, set the time required to reach the "base frequency" in Pr. 3, not the "acceleration/deceleration reference frequency" in Pr. 20. For details, refer to Pr. 7 and Pr. 8.
 - Pr. 140 to Pr. 143 is accessible when "3" is set in Pr. 29.
 - The acceleration/deceleration time is increased by the stopping time.

4.2.15 Regenerative brake duty (Pr.30)

Pr. 30 "regenerative function selection"

Related parameters

Pr. 180 to Pr. 186
(input terminal function selection)

- Use the optional "high power factor converter (FR-HC)" to reduce harmonics, improve the power factor, or continue the regenerative mode.

Parameter Number	Factory Setting	Setting Range	Remarks
30	0	0, 2	

<Setting>

(1) When using the brake unit, power return converter

- Set "0" in Pr. 30.

(2) When using the high power factor converter (FR-HC) or power regeneration common converter (FR-CV)

- 1) Set "2" in Pr. 30.
- 2) Use any of Pr. 180 to Pr. 186 to assign the following signals to the contact input terminals.
 - X10: FR-HC connection, FR-CV connection (inverter operation enable signal) (Note 1)
To make protective coordination with the high power factor converter (FR-HC) or power regeneration common converter (FR-CV), use the inverter operation enable signal to shut off the inverter output. Enter the RDY signal of the high power factor converter or the RDYB signal of the power regeneration common converter.
 - X11: FR-HC connection (instantaneous power failure detection signal)
When the computer link inboard option (FR-A5NR) is used and the setting is made to hold the pre-instantaneous power failure mode, use this signal to hold that mode. Enter the instantaneous power failure detection signal of the high power factor converter.

* Set "10" and "11" in any of Pr. 180 to Pr. 186 to allocate the terminals used to input the X10 and X11 signals.

Note: 1. The X10 signal may be replaced by the MRS signal.
2. When terminal assignment is changed using Pr. 180 to Pr. 186, the other functions may be affected. Check the functions of the corresponding terminals before making setting.

4.2.16 Frequency jump (Pr. 31 to Pr. 36)

Pr. 31 "frequency jump 1A"

Pr. 32 "frequency jump 1B"

Pr. 33 "frequency jump 2A"

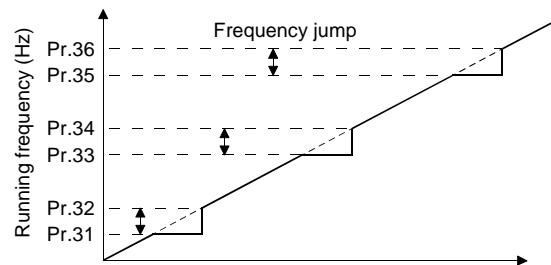
Pr. 34 "frequency jump 2B"

Pr. 35 "frequency jump 3A"

Pr. 36 "frequency jump 3B"

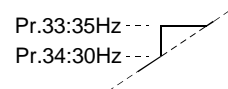
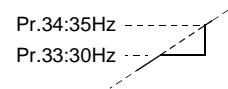
- When it is desired to avoid resonance attributable to the natural frequency of a mechanical system, these parameters allow resonant frequencies to be jumped. Up to three areas may be set, with the jump frequencies set to either the top or bottom point of each area.
- The value set to 1A, 2A or 3A is a jump point and operation is performed at this frequency.

Parameter Number	Factory Setting	Setting Range	Remarks
31	9999	0 to 120Hz, 9999	9999: Function invalid
32	9999	0 to 120Hz, 9999	9999: Function invalid
33	9999	0 to 120Hz, 9999	9999: Function invalid
34	9999	0 to 120Hz, 9999	9999: Function invalid
35	9999	0 to 120Hz, 9999	9999: Function invalid
36	9999	0 to 120Hz, 9999	9999: Function invalid



<Setting>

- To fix the frequency at 30Hz between Pr. 33 and Pr. 34 (30Hz and 35Hz), set 30Hz in Pr. 33 and 35Hz in Pr. 34.
- To jump to 35Hz between 30 and 35Hz, set 35Hz in Pr. 33 and 30Hz in Pr. 34.



Note: 1. During acceleration/deceleration, the running frequency within the set area is valid.

4.2.17 Speed display (Pr. 37, Pr. 144)

Pr. 37 "speed display"

Pr. 144 "speed setting switch-over"

— Related parameters —

Pr. 52 "DU/PU main display data selection"

Pr. 53 "PU level display data selection"

The units of the running speed monitor display of the PU (FR-DU04/FR-PU04), the running speed setting in the PU operation mode, and the parameter setting used for frequency setting can be changed from the frequency to the motor speed or machine speed.

Parameter Number	Factory Setting	Setting Range	Remarks
37	0	0, 1 to 9998	0: Frequency setting added
144	4	0, 2, 4, 6, 8, 10, 102, 104, 106, 108, 110	

<Setting>

- To display the machine speed, set in Pr. 37 the machine speed for 60Hz operation.
- To display the motor speed, set the number of motor poles (2, 4, 6, 8, 10) or the number of motor poles plus 100 (102, 104, 106, 108, 110) in Pr. 144.
- When values have been set in both Pr. 37 and Pr. 144, priority is as follows:
Pr. 144 = 102 to 110 > Pr. 37 = 1 to 9998 > Pr. 144 = 2 to 10
Hence, the half-tone screened settings in the following list become valid.
- When the running speed monitoring has been selected, the parameter setting unit and the running speed setting unit in the PU operation mode depend on the combination of the Pr. 37 and Pr. 144 settings as indicated below:

Running Speed Monitor Display	Parameter Setting Unit Running Speed Setting Unit	Pr. 37 Setting	Pr. 144 Setting
Speed of 4-pole motor (r/min)		0	0
Motor speed (r/min)	Hz	0	2 to 10
	r/min	1 to 9998	102 to 110
Machine speed	r/min	0	102 to 110
	Hz	1 to 9998	0
	r/min	1 to 9998	2 to 10

- Note: 1. In the V/F control mode, the motor speed is converted from the output frequency and does not match the actual speed.
2. When the running speed display has been selected with "0" set in Pr. 37 and "0" in Pr. 144, the monitor display shows the speed reference for a 4-pole motor (1800r/min is displayed at 60Hz).
3. To change the PU main monitor (PU main display) or PU level meter (PU level display), refer to Pr. 52 and Pr. 53.
4. As the operation panel display is 4 digits, "----" is displayed when the monitored value exceeds "9999".

CAUTION

-  **Make sure that the running speed and number of poles set are correct. Otherwise, the motor might run at extremely high speed, damaging the machine.**

4.2.18 Automatic torque boost (Pr. 38, Pr. 39)

Pr. 38 "automatic torque boost"

Pr. 39 "automatic torque boost operation starting current"

Used to detect the load current to control the output voltage (torque) of the inverter automatically.

Parameter Number	Factory Setting	Setting Range	Setting Capacity
38	0	0 to 200	Set the boost compensation (%). Setting "0" makes the automatic torque boost inoperative. Normally set "100" (%) to make the automatic torque boost operative
39	0	0 to 500	Set the automatic torque boost operation starting current (A). Normally set "0" (A).

4.2.19 Up-to-frequency sensitivity (Pr. 41)

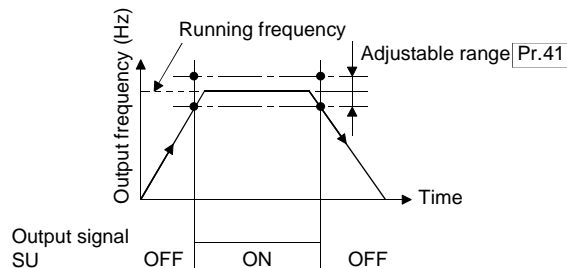
Pr. 41 "up-to-frequency sensitivity"

Related parameters
Pr. 190 to Pr. 195
(output terminal function selection)

The ON range of the up-to-frequency signal (SU) output when the output frequency reaches the running frequency can be adjusted between 0 and ±100% of the running frequency.

This parameter can be used to ensure that the running frequency has been reached or used as the operation start signal etc. for related equipment.

Parameter Number	Factory Setting	Setting Range
41	10%	0 to 100%



Note: 1. When terminal assignment is changed using Pr. 190 to Pr. 195, the other functions may be affected. Check the functions of the corresponding terminals before making setting.

4.2.20 Output frequency detection (Pr. 42, Pr. 43, Pr. 50)

Pr. 42 "output frequency detection"

Pr. 43 "output frequency detection for reverse rotation"

Pr. 50 "second output frequency detection"

Related parameters
Pr. 190 to Pr. 195
(output terminal function selection)

The output frequency signal (FU, FU2) is output when the output frequency reaches or exceeds the setting. This function can be used for electromagnetic brake operation, open signal, etc.

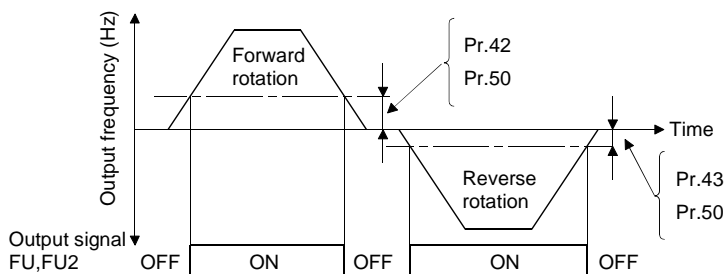
- You can also set the detection of the frequency used exclusively for reverse rotation. This function is effective for switching the timing of electromagnetic brake operation between forward rotation (rise) and reverse rotation (fall) during vertical lift operation, etc.

Parameter Number	Factory Setting	Setting Range	Remarks
42	6Hz	0 to 120Hz	
43	9999	0 to 120Hz, 9999	9999: Same as Pr. 42 setting
50	30Hz	0 to 120Hz	

<Setting>

Refer to the figure below and set the corresponding parameters:

- When Pr. 43 ≠ 9999, the Pr. 42 setting applies to forward rotation and the Pr. 43 setting applies to reverse rotation.



Output Signal

Parameter Number	Output Signal
42	FU
43	
50	FU2

Use Pr. 190 to Pr. 195 to assign the terminals used to output the FU2 signals.

Note: 1. When terminal assignment is changed using Pr. 190 to Pr. 195, the other functions may be affected. Check the functions of the corresponding terminals before making setting.

Pr. 44, Pr. 45 → Refer to Pr. 7.

Pr. 46 → Refer to Pr. 0.

Pr. 47 → Refer to Pr. 3.

4.2.21 Second stall prevention (Pr. 48, Pr. 49)

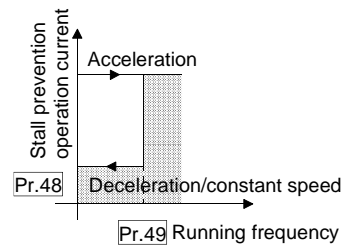
Pr. 48 "second stall prevention operation current"

Pr. 49 "second stall prevention operation frequency"

- Related parameters
- Pr. 22 "stall prevention operation level"
 - Pr. 23 "stall prevention operation level compensation factor at double speed"
 - Pr. 66 "stall prevention operation level reduction starting frequency"
 - Pr. 154 "voltage reduction selection during stall prevention operation"
 - Pr. 180 to Pr. 186 (input terminal function selection)

- The stall prevention operation level can be changed within the range from 0Hz to the frequency set in Pr. 49.
- The stall prevention operation level can be changed by switching the external input signal on-off.

Parameter Number	Factory Setting	Setting Range
48	120%	0 to 150%
49	0	0 to 120Hz, 9999



<Setting>

- Set the stall prevention operation level in Pr. 48.
- Refer to the following list to set values in Pr. 49.

Pr. 49 Setting	Operation
0	Second stall prevention function is not activated.
0.01Hz to 120Hz	Second stall prevention function is activated according to the frequency as shown above.
9999	Second stall prevention function is activated according to the RT signal. RT signal ON..... Stall level Pr. 48 RT signal OFF Stall level Pr. 22

- Note: 1. When Pr. 49 = "9999", setting "0" in Pr. 48 disables the stall prevention function when the RT signal switches on. When Pr. 49 ≠ "9999" and Pr. 48 = "0", the stall prevention operation level is 0% when the frequency is equal to or less than the value set in Pr. 49.
2. When the stall prevention operation level signal input function is selected (Pr. 22 = 9999), setting "9999" in Pr. 49 changes the stall prevention operation level from the value of the stall prevention operation level signal (terminal 1 input) to the value set in Pr. 48 when the RT signal switches on.
3. When the RT signal is on, the second functions such as second acceleration/deceleration time are also selected.
4. When terminal assignment is changed using Pr. 180 to Pr. 186, the other functions may be affected. Check the functions of the corresponding terminals before making setting.

CAUTION

⚠ Do not set a too small value to the second stall prevention operation current. Otherwise, torque generated will decrease.

Pr. 50 → Refer to Pr. 42.

4.2.22 Monitor display / FM, AM terminal function selection (Pr. 52 to Pr. 54, Pr. 158)

Pr. 52 "DU/PU main display data selection"

Pr. 53 "PU level display data selection"

Pr. 54 "FM terminal function selection"

Pr. 158 "AM terminal function selection"

Related parameters

Pr. 37 "speed display"
Pr. 55 "frequency monitoring reference"
Pr. 56 "current monitoring reference"
Pr. 170 "watt-hour meter clear"
Pr. 171 "actual operation hour meter clear"
Pr. 900 "FM terminal calibration"
Pr. 901 "AM terminal calibration"

You can select the signals shown on the operation panel (FR-DU04)/parameter unit (FR-PU04) main display screen and on the parameter unit (FR-PU04) level meter and signals output to the FM and AM terminals.

- There are two different signal outputs: FM pulse train output terminal and AM analog output terminal. Select the signals using Pr. 54 and Pr. 158.

Parameter Number	Factory Setting	Setting Range
52	0	0, 5, 6, 8, 10 to 14, 17, 20, 23, 24, 25, 100
53	1	0 to 3, 5, 6, 8, 10 to 14, 17
54	1	1 to 3, 5, 6, 8, 10 to 14, 17, 21
158	1	1 to 3, 5, 6, 8, 10 to 14, 17, 21

<Setting>


Set Pr. 52 to Pr. 54 and Pr. 158 in accordance with the following table:

Signal Type	Unit	Parameter Setting					Full-Scale Value of FM, AM, Level Meter
		Pr.52		Pr.53	Pr.54	Pr.158	
		DU LED	PU main monitor	PU level meter	FM terminal	AM terminal	
No display	—	x	x	0	x	x	—
Output frequency	Hz	0/100	0/100	1	1	1	Pr. 55
Output current	A	0/100	0/100	2	2	2	Pr. 56
Output voltage	V	0/100	0/100	3	3	3	400V or 800V
Alarm display	—	0/100	0/100	x	x	x	—
Frequency setting	Hz	5	*	5	5	5	Pr. 55
Running speed	r/min	6	*	6	6	6	Pr. 55 value converted into Pr. 37 value
Converter output voltage	V	8	*	8	8	8	400V or 800V
Regenerative brake duty	%	x	*	x	x	x	—
Electronic overcurrent protection load factor	%	10	*	10	10	10	Protection operation level
Output current peak value	A	11	*	11	11	11	Pr. 56
Converter output voltage peak value	V	12	*	12	12	12	400V or 800V
Input power	kW	13	*	13	13	13	Rated power of inverter rating × 2
Output power	kW	14	*	14	14	14	Rated power of inverter rating × 2
Input terminal status	—	x	*	x	x	x	—
Output terminal status	—	x	*	x	x	x	—
Load meter **	%	17	17	17	17	17	Pr. 56
Cumulative operation time	h	20	20	x	x	x	—
Reference voltage output	—	x	x	x	21	21	1440Hz is output to FM terminal. Full-scale voltage is output to AM terminal.
Actual operation time	h	23	23	x	x	x	—
Motor load factor	%	24	24	x	x	x	Rated inverter current × 2
Cumulative power	kWh	25	25	x	x	x	—

When 100 is set in Pr. 52, the monitored values during stop and during operation differ as indicated below:
(The LED on the left of Hz flickers during a stop and is lit during running.)

	Pr. 52		
	0	100	
	During operation/during stop	During stop	During operation
Output frequency	Output frequency	Set frequency	Output frequency
Output current	Output current		
Output voltage	Output voltage		
Alarm display	Alarm display		

- Note: 1. During an error, the output frequency at error occurrence is displayed.
2. During MRS, the values are the same as during a stop.

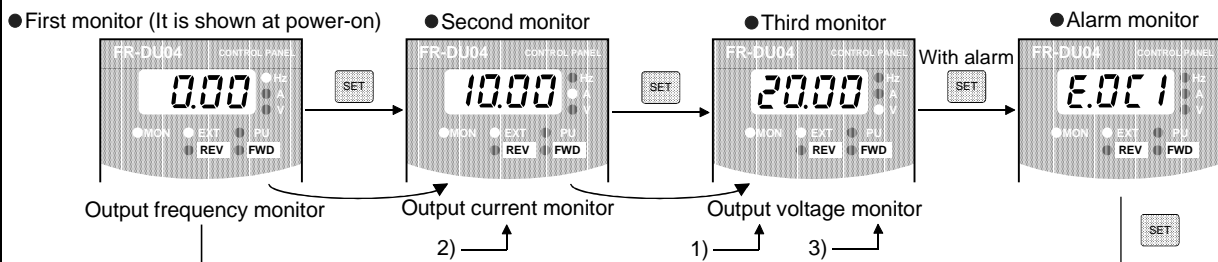
- Note: 1. The monitoring of items marked × cannot be selected.
2. By setting "0" in Pr. 52, the monitoring of "output frequency to alarm display" can be selected in sequence by the  key.
3. "Frequency setting to output terminal status" on the PU main monitor are selected by "other monitor selection" of the parameter unit (FR-PU04).
4. **The load meter is displayed in %, with the current set in Pr. 56 regarded as 100%.
5. The actual operation time displayed by setting "23" in Pr. 52 is calculated using the inverter operation time. (Inverter stop time is not included.) Set "0" in Pr. 171 to clear it.
6. When Pr. 53 = "0", the level meter display of the parameter unit can be erased.
7. By setting "1, 2, 5, 6, 11 or 17" in Pr. 53, the full-scale value can be set in Pr. 55 or Pr. 56.
8. The cumulative operation time and actual operation time are calculated from 0 to 65535 hours, then cleared, and recalculated from 0.
When the operation panel (FR-DU04) is used, the display shows "----" after 9999 or more hours have elapsed.
Whether 9999 or more hours have elapsed or not can be confirmed on the parameter unit (FR-PU04).
9. The actual operation time is not calculated unless the inverter has operated for longer than one hour continuously.
10. When the operation panel (FR-DU04) is used, the display unit is Hz, V or A only.

REMARKS

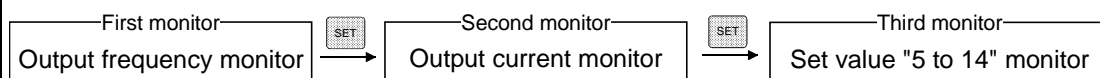
For the monitor set in Pr. 52, its display position depends on the set value.

Factory setting

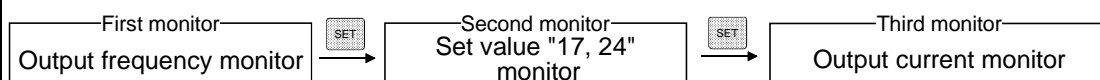
* The monitor displayed at power-on is the first monitor. For the setting method of the first monitor, refer to page 49.



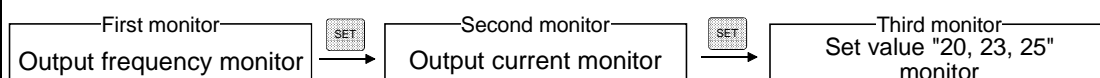
1) Displayed on the third monitor when the set value is "5 to 14"



2) Displayed on the second monitor instead of output current monitor when the set value is "17, 24"



3) Displayed on the third monitor instead of output current monitor when the set value is "20, 23, 25"



4.2.23 Monitoring reference (Pr. 55, Pr. 56)

Pr. 55 "frequency monitoring reference"

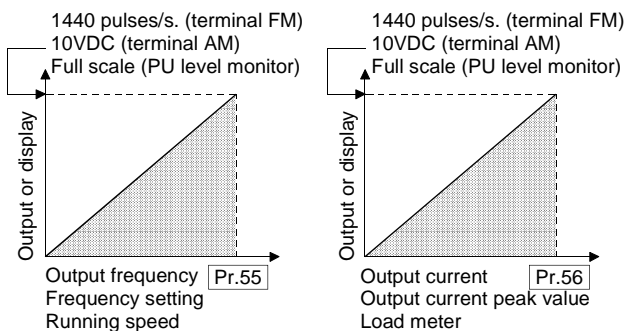
Pr. 56 "current monitoring reference"

Related parameters

- Pr. 37 "speed display"
- Pr. 53 "PU level display data selection"
- Pr. 54 "FM terminal function selection"
- Pr. 158 "AM terminal function selection"
- Pr. 900 "FM terminal calibration"
- Pr. 901 "AM terminal calibration"

Set the frequency or current which is referenced for display when the frequency or current is selected for the FM and AM terminals and PU level meter display.

Parameter Number	Factory Setting	Setting Range
55	60Hz (50Hz)	0 to 120Hz
56	Rated output current	0 to 500A



<Setting>

Referring to the above figures and following table, set Pr. 55 and Pr. 56:

Monitoring Reference Setting Parameter	Monitored Data Selection	PU Level Display Selection Pr. 53 Setting	FM Terminal Function Selection Pr. 54 Setting	AM Terminal Function Selection Pr. 158 Setting
Frequency monitoring reference Pr. 55	Output frequency (Hz)	1	1	1
	Frequency setting (Hz)	5	5	5
	Running speed (Pr. 37)	6	6	6
Current monitoring reference Pr. 56	Output current (A)	2	2	2
	Output current peak value (A)	11	11	11
	Load meter (A)	17	17	17
Setting using Pr. 55, Pr. 56		Set to make the PU level meter indication to be in full-scale.	Set to make the terminal FM pulse train output to be 1440 pulses/s.	Set to make the terminal AM output voltage to be 10V.

- Note: 1. The maximum pulse train output of terminal FM is 2400 pulses/s. If Pr. 55 is not adjusted, the output of terminal FM will be filled to capacity. Therefore, adjust Pr. 55.
 2. The maximum output voltage of terminal AM is 10VDC.

4.2.24 Automatic restart after instantaneous power failure (Pr. 57, Pr. 58, Pr. 162 to Pr. 165)

Pr. 57 "restart coasting time"

Pr. 58 "restart cushion time"

Pr.162 "Automatic restart after instantaneous power failure selection"

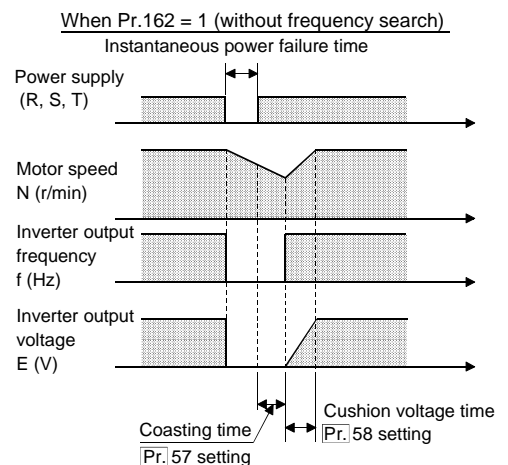
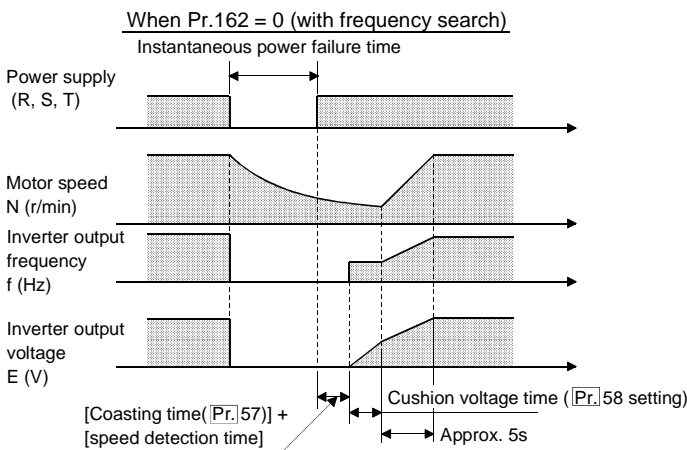
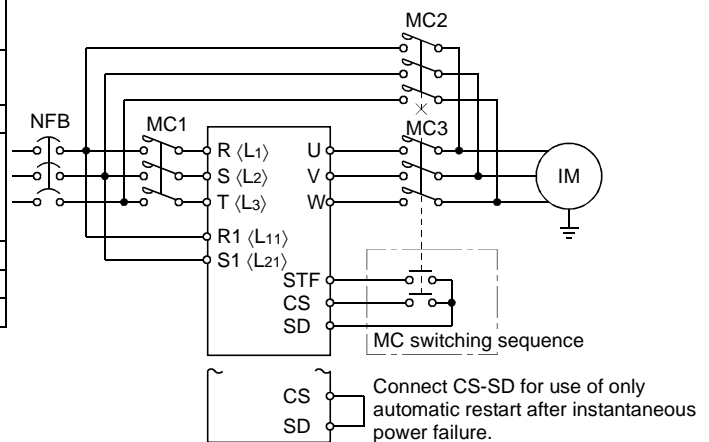
Pr.163 "First cushion time for restart"

Pr.164 "First cushion voltage for restart"

Pr.165 "Restart stall prevention operation level"

- You can restart the inverter without stopping the motor (with the motor coasting) when the commercial power supply is switched to the inverter operation or when the power is restored after an instantaneous power failure. (When restart operation is set to be enabled, an automatic restart after instantaneous power failure is made without the E.UVT (undervoltage protection) or E.IPF (instantaneous power failure protection) alarm output signal being output at occurrence of an instantaneous power failure.)

Parameter Number	Factory Setting	Setting Range	Remarks
57	9999	0, 0.1 to 5 s, 9999	9999: No restart
58	1.0 s	0 to 60 s	
162	0	0, 1	0: Frequency search 1: No frequency search
163	0 s	0 to 20 s	
164	0%	0 to 100%	
165	120%	0 to 150%	





<Setting>

Refer to the figures in the previous page and following table, and set the parameters:

Parameter Number	Setting	Description		
162	0	Frequency search made Frequency search is made after detection of an instantaneous power failure.		
	1	No frequency search Independently of the motor coasting speed, the output voltage is gradually increased with the frequency kept as preset.		
57	0	0.75K to 1.5K	0.5 s coasting time	Generally use this setting.
		2.2K to 7.5K	1.0 s coasting time	
		11K or more	3.0 s coasting time	
	0.1 to 5 s	Waiting time for inverter-triggered restart after power is restored from an instantaneous power failure. (Set this time between 0.1 s and 5 s according to the moment of inertia (J) and torque of the load.)		
	9999	No restart		
58	0 to 60 s	Normally the motor may be run with the factory settings. These values are adjustable to the load (moment of inertia, torque).		
163	0 to 20 s			
164	0 to 100%			
165	0 to 150%			

- Note:
- When restart operation is selected, UVT and IPF among the alarm output signals are not output at occurrence of an instantaneous power failure.
 - If the inverter capacity is more than one rank higher than the motor capacity when Pr.162 = "0" (with speed search), an overcurrent (OCT) alarm may take place, disabling the motor from starting.
 - When Pr. 57 ≠ 9999, the inverter will not run if the CS signal remain off.
 - When Pr. 162 = "0", connection of two or more motors to one inverter will make the inverter function improperly. (The inverter will not start properly.)
 - When Pr. 162 = "0", the DC injection brake is operated instantly on detection of restarting speed. Therefore, if the moment of inertia (J) of the load is small, the speed may reduce.
 - When Pr. 162 = "1", the output frequency before an instantaneous power failure is stored and output at the time of restart. If the power of the inverter control circuit is lost, the frequency before an instantaneous power failure cannot be stored and the inverter will start at 0Hz.
 - The SU and FU signals are not output during restart but are output after the restart cushion time has elapsed.

 **CAUTION**

-  **Provide mechanical interlocks for MC1 and MC2.**
The inverter will be damaged if power is entered into the inverter output section.
-  **When automatic restart after instantaneous power failure has been selected, the motor and machine will start suddenly (after the reset time has elapsed) after occurrence of an instantaneous power failure. Stay away from the motor and machine.**
When you have selected automatic restart after instantaneous power failure, apply the supplied CAUTION seals in easily visible places.

4.2.25 Remote setting function selection (Pr. 59)

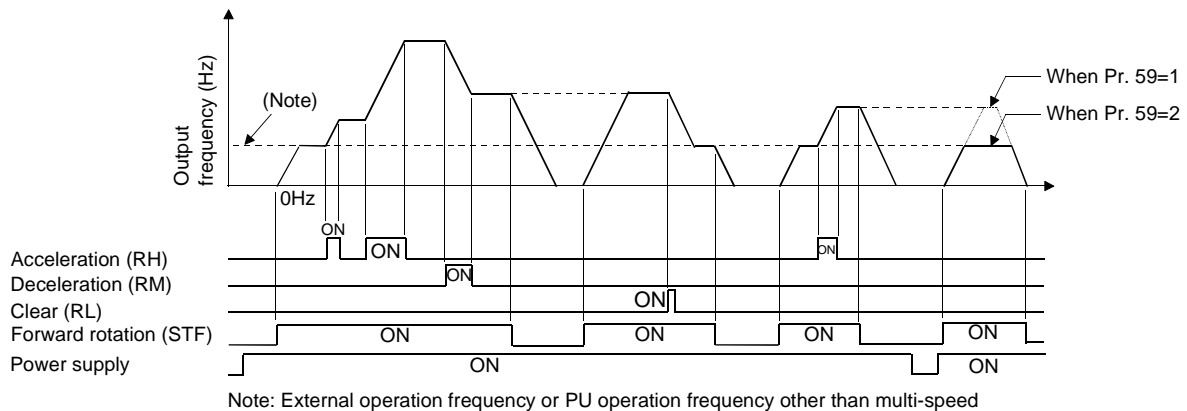
Pr. 59 "remote setting function selection"

- Related parameters
- Pr. 1 "maximum frequency"
 - Pr. 7 "acceleration time"
 - Pr. 8 "deceleration time"
 - Pr. 28 "multi-speed input compensation"
 - Pr. 44 "second acceleration/deceleration time"
 - Pr. 45 "second deceleration time"

If the operator panel is located away from the control box, you can use contact signals to perform continuous variable-speed operation, without using analog signals.

- By merely setting this parameter, you can use the acceleration, deceleration and setting clear functions of the motorized speed setter (FR-FK).
- When the remote function is used, the output frequency of the inverter can be compensated for as follows:
 External operation mode Frequency set by RH/RM operation plus external running frequency other than multi-speeds
 PU operation mode Frequency set by RH/RM operation plus PU running frequency

Parameter Number	Factory Setting	Setting Range
59	0	0, 1, 2



Pr. 59 Setting	Operation	
	Remote setting function	Frequency setting storage function (E ² PROM)
0	No	—
1	Yes	Yes*
2	Yes	No

- Use Pr. 59 to select whether the remote setting function is used or not and whether the frequency setting storage function* in the remote setting mode is used or not. When "remote setting function - yes" is selected, the functions of signals RH, RM and RL are changed to acceleration (RH), deceleration (RM) and clear (RL).

* Frequency setting storage function

The remote setting frequency (frequency set by RH, RM operation) is stored into memory. When power is switched off once, then on again, operation is resumed at this setting of the output frequency. (Pr. 59=1)
 <Frequency setting storage condition>

- Frequency at which the start signal (STF or STR) turns off
- The remotely-set frequency is stored every one minute after one minute has elapsed from when both the RH (acceleration) and RM (deceleration) signals turned off (on). (The frequency is written if the present frequency value compared with the past frequency value every one minute is different.) (The state of the RL signal does not affect writing.)

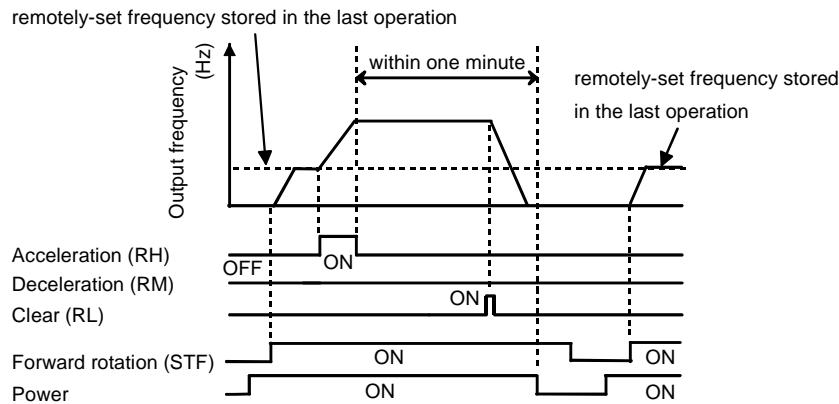
- Note: 1. The frequency can be varied by RH (acceleration) and RM (deceleration) between 0 and 120Hz.
 2. When the acceleration or deceleration signal switches on, the set frequency varies according to the slope set in Pr. 44 or Pr. 45. The output frequency acceleration/deceleration times are as set in Pr. 7 and Pr. 8, respectively. Therefore, the longer preset times are used to vary the actual output frequency.
 3. If the start signal (STF or STR) is off, switching on the acceleration (RH) or deceleration (RM) signal varies the set frequency.

REMARKS

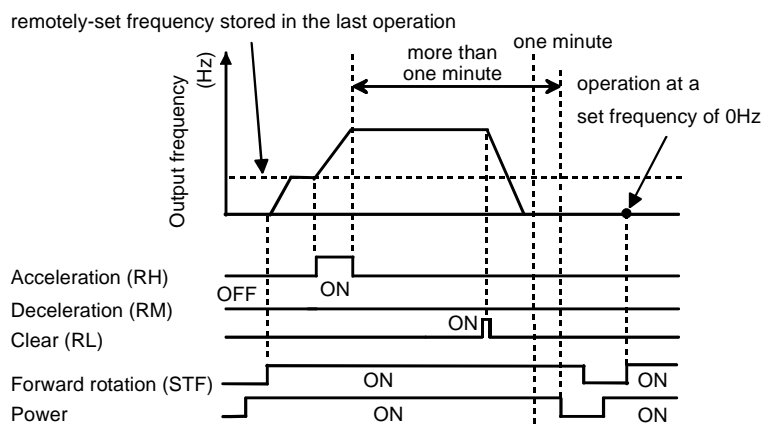
This function is invalid under jog operation and PID control operation.

Setting frequency is "0"

Even when the remotely-set frequency is cleared by turning on the RL (clear) signal after both the RH and RM signals turn off (on), the inverter operates at the remotely-set frequency stored in the last operation if power is reapplied before one minute has elapsed from when both the RH and RM signals turned off (on) .



When the remotely-set frequency is cleared by turning on the RL (clear) signal after both the RH and RM signals turn off (on), the inverter operates at the speed in the remotely-set frequency cleared state if power is reapplied after one minute has elapsed from when both the RH and RM signals turned off (on) .



CAUTION

⚠ When selecting this function, re-set the maximum frequency according to the machine.

4.2.26 Intelligent mode selection (Pr. 60)

Pr. 60 "intelligent mode selection"

Related parameters

Pr. 0 "torque boost"
Pr. 7 "acceleration time"
Pr. 8 "deceleration time"
Pr. 13 "starting frequency"
Pr. 19 "base frequency voltage"

The inverter automatically sets appropriate parameters for operation.

- If you do not set the acceleration and deceleration times and V/F pattern, you can run the inverter as if appropriate values had been set in the corresponding parameters. This operation mode is useful to start operation immediately without making fine parameter settings.
- If the intelligent operation mode has been selected, entry of the jog signal or RT (second function selection) signal during an inverter stop starts ordinary operation, with priority given to jog operation or second function selection. After a start in the intelligent operation mode, neither the JOG signal nor the RT signal is accepted.

Parameter Number	Factory Setting	Setting Range
60	0	0, 3, 4, 9

<Setting>

Pr. 60 Setting	Operation Mode	Description	Automatically Set Parameters
0	Ordinary operation mode	———	———
3	Optimum acceleration/ deceleration mode (Note 2, 3)	Optimum operation can be carried out by fully utilizing the inverter capabilities in the continuous rating range. Self-learning automatically sets the corresponding parameters so that the average current during acceleration/deceleration is equal to the rated current. Appropriate for applications where the load will not vary by a large amount.	Pr. 0, Pr. 7, Pr. 8
4	Energy-saving mode (Note 4)	Tunes the output voltage online to minimize the inverter output power during constant-speed operation. Appropriate for energy-saving applications such as fan and pump operation.	Output voltage
9	Optimum excitation control mode (Note 4)	Optimizes the excitation current as an energy-saving technique to maximize the motor efficiency. Appropriate for further energy-saving applications such as machines which are large in J (inertia moment) and long in acceleration/deceleration time.	Output voltage

Note: 1. When more accurate control is required for your application, set the other parameters as appropriate.

2. Because of the learning system, this control is not valid at the first time in the optimum acceleration/deceleration mode (operation starts from the second cycle). Also, this mode is only valid for frequency setting of 30.01Hz or more.
3. If an overvoltage (OV3) trip has occurred during operation in the optimum acceleration/deceleration mode (setting "3"), re-set Pr. 8 "deceleration time" to a larger value and restart operation in this mode.
4. When "4" (energy-saving mode) or "9" (optimum excitation control mode) has been set to decelerate the motor to a stop, the deceleration time may be longer than the preset value. Also, overvoltage is more likely to occur in this mode when compared to the constant-torque load characteristics, therefore set the deceleration time to a longer value.

4.2.27 Acceleration/deceleration reference current (Pr. 61 to Pr. 63)

Pr. 61 "Reference I for intelligent mode"

Pr. 62 "Ref. I for intelligent mode accel"

Pr. 63 "Ref. I for intelligent mode decel"

— Related parameter —

Pr. 60 "intelligent mode selection"

- Set these parameters to improve performance in the intelligent mode.
- Pr. 61 to Pr. 63 are only valid when any of "3" or "4" is selected for Pr. 60.

Parameter Number	Factory Setting	Setting Range	Remarks
61	9999	0 to 500A, 9999	9999: Referenced from rated inverter current.
62	9999	0 to 150%, 9999	
63	9999	0 to 150%, 9999	

<Setting>

(1) Pr. 61 "Reference I for intelligent mode"

Setting	Reference Current
9999 (factory setting)	Referenced from rated inverter current
0 to 500A	Referenced from setting (rated motor current)

(2) Pr. 62 "Ref. I for intelligent mode accel"

The reference current setting at acceleration can be changed.

Setting	Reference Current
9999 (factory setting)	100% is the optimum value.
0 to 150%	The setting of 0 to 150% is the optimum value.

(3) Pr. 63 "Ref. I for intelligent mode decel "

The reference current setting at deceleration can be changed.

Setting	Reference Current
9999 (factory setting)	100% is the optimum value.
0 to 150%	The setting of 0 to 150% is the optimum value.

4.2.28 Retry function (Pr. 65, Pr. 67 to Pr. 69)

Pr. 65 "retry selection"

Pr. 67 "number of retries at alarm occurrence"

Pr. 68 "retry waiting time"

Pr. 69 "retry count display erasure"

When an alarm occurs, the retry function causes the inverter to automatically reset itself to make a restart and continue operation. You can select whether retry is made or not, alarms reset for retry, number of retries made, and waiting time.

Parameter Number	Factory Setting	Setting Range
65	0	0 to 5
67	0	0 to 10, 101 to 110
68	1 s	0 to 10 s
69	0	0

<Setting>

Use Pr. 65 to select alarms to be reset for retry.

Errors Reset for Retry	Setting					
	0	1	2	3	4	5
Display						
E.OC1	●	●		●	●	●
E.OC2	●	●		●	●	
E.OC3	●	●		●	●	●
E.OV1	●		●	●	●	
E.OV2	●		●	●	●	
E.OV3	●		●	●	●	
E.THM	●					
E.THT	●					
E.IPF	●				●	
E.UVT	●				●	
E.FIN						
E. GF	●				●	
E. LF						
E.OHT	●					
E.OLT	●				●	
E.OPT	●				●	
E.OP1	●				●	
E.OP2	●				●	
E.OP3	●				●	
E. PE	●				●	
E.PUE						
E.RET						
E.CPU						
E. 3						
E. 6						
E. 7						
E.P24						
E.CTE						

Note: ● indicates the errors selected for retry.

- Use Pr. 67 to set the number of retries at alarm occurrence.

Pr. 67 Setting	Number of Retries	Alarm Signal Output
0	Retry is not made.	———
1 to 10	1 to 10 times	Not output.
101 to 110	1 to 10 times	Output.


- Use Pr. 68 to set the waiting time from when an inverter alarm occurs until a restart in the range 0 to 10 s.
- Reading the Pr. 69 value provides the cumulative number of successful restart times made by retry. The setting of "0" erases the cumulative number of times.

Note: 1. The cumulative number in Pr. 69 is incremented by "1" when retry operation is regarded as successful, i.e. when normal operation is continued without any alarm occurring during a period more than four times longer than the time set in Pr. 68.

2. If alarms occur consecutively within a period four times longer than the above waiting time, the operation panel (FR-DU04) may show data different from the most recent data or the parameter unit (FR-PU04) may show data different from the first retry data. The data stored as the error reset for retry is only that of the alarm which occurred the first time.

3. When an inverter alarm is reset at the restart time, the stored data of the electronic overcurrent protection, regeneration converter duty, etc. are not cleared. (Different from the power-on reset.)

 **CAUTION**

 **When you have selected the retry function, stay away from the motor and machine unless required. They will start suddenly (after the reset time has elapsed) after occurrence of an alarm.**

When you have selected the retry function, apply the supplied CAUTION seals in easily visible places.

Pr. 66 → Refer to Pr. 22.

4.2.29 Applied motor (Pr. 71)

Pr. 71 "applied motor"

— Related parameters —

Pr. 0 "torque boost"
 Pr. 12 "DC injection brake voltage"
 Pr. 19 "base frequency voltage"
 Pr. 60 "intelligent mode selection"
 Pr. 100 to Pr. 109
 (V/F frequency/voltage)

Set the motor used.

Parameter Number	Factory Setting	Setting Range
71	0	0, 1, 2

<Setting>

- Refer to the following list and set this parameter according to the motor used.


Pr. 71 Setting	Thermal Characteristics of Electronic Overcurrent Protection	Motor	
		Standard	Constant Torque
0	Thermal characteristics matching a standard motor	○	
1	Thermal characteristics matching the Mitsubishi constant-torque motor		○
2	Thermal characteristics matching a standard motor 5-point flexible V/F characteristics	○	

- For the 5.5K and 7.5K, the Pr. 0 and Pr. 12 settings are automatically changed depending on the Pr. 71 setting.

Pr. 71	0, 2	1
Pr. 0	3%	2%
Pr. 12	4%	2%

Note: 1. When "8888 or 9999" is set in Pr. 19, "2" cannot be set in Pr. 71. To set "2" in Pr. 71, set the appropriate value (other than "9999") in Pr. 19.
 2. When "2" is set in Pr. 71, Pr. 100 to Pr. 109 are displayed on the parameter unit (FR-PU04). In other settings, if any of Pr. 100 to Pr. 109 settings is changed, the new setting is not displayed in the "Default parameter list" and "Set parameter list".

CAUTION

 **Set this parameter correctly according to the motor used.**
 Incorrect setting may cause the motor to overheat and burn.

4.2.30 PWM carrier frequency (Pr. 72, Pr. 240)

Pr. 72 "PWM frequency selection"

Pr. 240 "Soft-PWM setting"

You can change the motor tone.

- By parameter setting, you can select Soft-PWM control which changes the motor tone.
- Soft-PWM control changes motor noise from a metallic tone into an unoffending complex tone.

Parameter Number	Factory Setting	Setting Range	Remarks
72	2	0 to 15	0: 0.7kHz, 15: 14.5kHz
240	1	0, 1	1: Soft-PWM valid

<Setting>

- Refer to the following list and set the parameters:

Parameter Number	Factory Setting	Description
72	0 to 15	PWM carrier frequency can be changed. The setting displayed is in [kHz]. Note that 0 indicates 0.7kHz and 15 indicates 14.5kHz.
240	0	Soft-PWM invalid
	1	When any of "0 to 5" is set in Pr. 72, Soft-PWM is made valid.

Note: 1. A reduced PWM carrier frequency will decrease inverter-generated noise and leakage current but increase motor noise.
2. If the PWM carrier frequency is increased to perform operation in the low acoustic noise mode, continuous operation performed at more than 75% of the rated current may generate motor noise, but this is not an error.

4.2.31 Voltage input (Pr. 73)

Pr. 73 "0-5V/0-10V selection"

— Related parameters —

Pr. 22 "stall prevention operation level"
Pr. 903 "frequency setting voltage gain"
Pr. 905 "frequency setting current gain"

You can select the analog input terminal specifications, the override function and the function to switch between forward and reverse rotation depending on the input signal polarity.

Parameter Number	Factory Setting	Setting Range
73	1	0 to 5, 10 to 15

<Setting>

Pr. 73 Setting	Terminal AU Signal	Terminal 2 Input Voltage	Terminal 1 Input Voltage	Terminal 4 Input, 4 to 20mA	Override Function	Polarity Reversible				
0	OFF (No)	*0 to 10V	0 to ±10V	Invalid	×	No (Note 3)				
1		*0 to 5V	0 to ±10V							
2		*0 to 10V	0 to ±5V							
3		*0 to 5V	0 to ±5V							
4		0 to 10V	*0 to ±10V							
5		0 to 5V	*0 to ±5V		○					
10		*0 to 10V	0 to ±10V							
11		*0 to 5V	0 to ±10V							
12		*0 to 10V	0 to ±5V							
13		*0 to 5V	0 to ±5V							
14		0 to 10V	*0 to ±10V		×	Valid				
15		0 to 5V	*0 to ±5V							
0		ON (Yes)	Invalid				0 to ±10V	Yes *	×	No (Note 3)
1							0 to ±10V			
2							0 to ±5V			
3	0 to ±5V									
4	0 to 10V		Invalid	○						
5	0 to 5V									
10	0 to ±10V									
11	Invalid		0 to ±10V		×	Valid				
12			0 to ±5V							
13			0 to ±5V							
14	0 to 10V		Invalid	○						
15	0 to 5V									

- Note: 1. The value of terminal 1 (frequency setting auxiliary input) is added to the main speed setting signal of terminal 2 or 4.
2. When override has been selected, terminal 1 or 4 is for the main speed setting and terminal 2 is for the override signal (50 to 150% at 0-5V or 0-10V). (If the main speed of terminal 1 or 4 is not input, compensation made by terminal 2 is made invalid.)
3. Indicates that a negative-polarity frequency command signal is not accepted.
4. To change the maximum output frequency at the input of the maximum frequency command voltage (current), use the frequency setting voltage (current) gain, Pr. 903 (Pr. 905). At this time, the command voltage (current) need not be input. Also, the acceleration/deceleration time, which is a slope up/down to the acceleration/deceleration reference frequency, is not affected by the change in Pr. 73 setting.
5. When the Pr. 22 setting is "9999", the value of terminal 1 is for the stall prevention operation level setting.
6. * indicates the main speed setting.

4.2.32 Input filter time constant (Pr. 74)

Pr. 74 "filter time constant"

You can set the input section's internal filter constant for an external voltage or current frequency setting signal.


- Effective for eliminating noise in the frequency setting circuit.
- Increase the filter time constant if steady operation cannot be performed due to noise. A larger setting results in lower response. (The time constant can be set between approximately 1ms to 1s. with the setting of 0 to 8. A larger setting results in a larger filter time constant.)

Parameter Number	Factory Setting	Setting Range
74	1	0 to 8

4.2.33 Reset selection/disconnection PU detection/PU stop selection (Pr. 75)


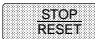
Pr. 75 "reset selection/disconnection PU detection/PU stop selection"

You can select the reset input acceptance, PU (FR-DU04/FR-PU04) connector disconnection detection function and PU stop function.

- Reset selection : You can select the reset function input timing.
- PU disconnection detection : When it is detected that the PU (FR-DU04/FR-PU04) is disconnected from the inverter for more than 1 s, the inverter outputs an alarm code (E.PUE) and comes to an alarm stop.
- PU stop selection : When an alarm occurs in any operation mode, you can stop the motor from the PU by pressing the  key.


Parameter Number	Factory Setting	Setting Range
75	14	0 to 3, 14 to 17

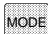

<Setting>

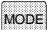
Pr. 75 Setting	Reset Selection	PU Disconnection Detection	PU Stop Selection
0	Reset input normally enabled.	If the PU is disconnected, operation will be continued.	Pressing the  key decelerates the motor to a stop only in the PU operation mode.
1	Reset input enabled only when the protective function is activated.		
2	Reset input normally enabled.	When the PU is disconnected, the inverter output is shut off.	
3	Reset input enabled only when the protective function is activated.		
14	Reset input normally enabled.	If the PU is disconnected, operation will be continued.	Pressing the  key decelerates the motor to a stop in any of the PU, external and communication operation modes.
15	Reset input enabled only when the protective function is activated.		
16	Reset input normally enabled.	When the PU is disconnected, the inverter output is shut off.	
17	Reset input enabled only when the protective function is activated.		


How to make a restart after a stop made by the key from the PU during external operation

(1) Operation panel (FR-DU04)


- 1) After completion of deceleration to a stop, switch off the STF or STR signal.
- 2) Press the  key two times* to call the **OPND** indication.

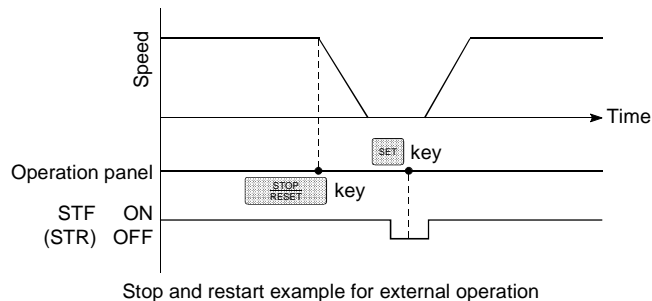
Note: When Pr. 79 = "3", press the  key three times to call the **PU** indication.
Then press the  key and proceed to step 3).

(*: For monitor screen) Refer to page 48 for the monitor display provided by pressing the  key.

- 3) Press the  key.
- 4) Turn on the STF or STR signal.

(2) Parameter unit (FR-PU04)

- 1) After completion of deceleration to a stop, switch off the STF or STR signal.
- 2) Press the  key.
- 3) Switch on the STF or STR signal.



The other way of making a restart other than the above method is to perform a power-reset or to make a reset with the inverter reset terminal.

- Note:
1. By entering the reset signal (RES) during operation, the inverter shuts off output while it is reset, the data of the electronic overcurrent protection and regenerative brake duty are reset, and the motor coasts.
 2. The PU disconnection detection function judges that the PU is disconnected when it is removed from the inverter for more than 1 s. If the PU had been disconnected before power-on, it is not judged as an alarm.
 3. To resume operation, reset the inverter after confirming that the PU is connected securely.
 4. When PU disconnection detection is set and the PU is then disconnected during PU jog operation, the motor decelerates to a stop. The motor will not stop if a PU disconnection alarm occurs.
 5. The Pr. 75 value can be set any time. Also, if parameter (all) clear is executed, this setting will not return to the initial value.
 6. When the motor is stopped by the PU stop function, PS is displayed but an alarm is not output. When the PU connector is used for RS-485 communication operation, the reset selection and PU stop selection functions are valid but the PU disconnection detection function is invalid.
 7. The reset key of the PU is only valid when the protective function is activated, independent of the Pr. 75 setting.

CAUTION

-  Do not reset the inverter with the start signal on.
Otherwise, the motor will start instantly after resetting, which may lead to hazardous conditions.

4.2.34 Alarm code output selection (Pr. 76)

Pr. 76 "alarm code output selection"

— Related parameters —

Pr. 79 "operation mode selection"
Pr. 190 to Pr. 195
(output terminal function selection)

When an alarm occurs, its code can be output as a 4-bit digital signal from the open collector output terminals. When programmed operation has been selected, this parameter also serves to output a group operation signal.

The alarm code can read by a programmable controller etc to show its remedy on a display. Also you can look at the progress of programmed operation.

Parameter Number	Factory Setting	Setting Range
76	0	0, 1, 2

<Setting>

• Alarm code output

Pr. 76 Setting	Output Terminals			
	SU	IPF	OL	FU
0	Alarm code is not output. (Depends on Pr. 190 to Pr. 195).			
1	Alarm code bit 3	Alarm code bit 2	Alarm code bit 1	Alarm code bit 0
2	When an alarm occurs, an alarm code signal is output. (Output signal is the same as in 1.) When operation is normal, an operation status signal is output. (Output signal is the same as in 0.)			

Note: 1. For alarm code definitions, refer to page 176.

2. The Pr. 76 setting overrides the Pr. 190 to Pr. 195 settings. Therefore, if you assign other signals to output terminals SU, IPF, OL and FU using Pr. 190 to Pr. 195, these terminals provide the output signals as listed above when any of "1 to 2" is set in Pr. 76. This should be noted when using the functions which use the output signals to exercise control.

4.2.35 Parameter write disable selection (Pr. 77)

Pr. 77 "parameter write disable selection"

Related parameters

Pr. 79 "operation mode selection"

You can select between write-enable and disable for parameters. This function is used to prevent parameter values from being rewritten by accident.

Parameter Number	Factory Setting	Setting Range
77	0	0, 1, 2

<Setting>

Pr. 77 Setting	Function
0	Write enabled during a stop only. Parameter values may only be written during a stop in the PU operation mode. (Note 1)
1	Write disabled. Values of Pr. 22, Pr. 75, Pr. 77 and Pr. 79 "operation mode selection" can be written.
2	Write enabled even during operation.

Note: 1. The values of the parameters half-tone screened in "4.1.1 Parameter list" can be set at any time. (Pr. 72 and Pr. 240 values cannot be set during external operation.)

2. If Pr. 77 = "2", the values of the following parameters cannot be written during operation. Stop operation when changing their parameter settings.

Parameter Number	Name	Parameter Number	Name
23	Stall prevention operation level compensation factor at double speed	135	Commercial power supply-inverter switch-over sequence output terminal selection
48	Second stall prevention operation current	136	MC switch-over interlock time
49	Second stall prevention operation frequency	137	Start waiting time
60	Intelligent mode selection	138	Commercial power supply-inverter switch-over selection at alarm occurrence
61	Reference current	139	Automatic inverter-commercial power supply switch-over frequency
66	Stall prevention operation reduction starting frequency	180	RL terminal function selection
71	Applied motor	181	RM terminal function selection
79	Operation mode selection	182	RH terminal function selection
100	V/F1 (first frequency)	183	RT terminal function selection
101	V/F1 (first frequency voltage)	184	AU terminal function selection
102	V/F2 (second frequency)	185	JOG terminal function selection
103	V/F2 (second frequency voltage)	186	CS terminal function selection
104	V/F3 (third frequency)	190	RUN terminal function selection
105	V/F3 (third frequency voltage)	191	SU terminal function selection
106	V/F4 (fourth frequency)	192	IPF terminal function selection
107	V/F4 (fourth frequency voltage)	193	OL terminal function selection
108	V/F5 (fifth frequency)	194	FU terminal function selection
109	V/F5 (fifth frequency voltage)	195	A, B, C terminal function selection

3. By setting "1" in Pr. 77, the following clear operations can be inhibited:

- Parameter clear
- All clear
- User clear

4.2.36 Reverse rotation prevention selection (Pr. 78)

Pr. 78 "reverse rotation prevention selection"

Related parameters

Pr. 79 "operation mode selection"

This function can prevent any reverse rotation fault resulting from the misoperation of the start signal.

- Used for a machine which runs only in one direction, e.g. fan, pump.
(The setting of this function is valid for the PU, external and communication operations.)

Parameter Number	Factory Setting	Setting Range
78	0	0, 1, 2

<Setting>

Pr. 78 Setting	Function
0	Both forward and reverse rotations allowed
1	Reverse rotation disallowed
2	Forward rotation disallowed

4.2.37 Operation mode selection (Pr. 79)

Pr. 79 "operation mode selection"

— Related parameters —





Pr. 15 "jog frequency"
 Pr. 4 to Pr. 6, Pr. 24 to 27
 (multi-speed operation)
 Pr. 75 "PU stop selection"
 Pr. 76 "alarm code output selection"
 Pr. 180 to Pr. 186
 (input terminal function selection)

Used to select the operation mode of the inverter.


You can choose any of the operation modes: operation using external signals (external operation), operation from the PU (FR-DU04/FR-PU04) (PU operation), combination of PU operation and external operation (external/PU combined operation), and computer link operation (when used with a communication option such as the FR-A5NR).

Parameter Number	Factory Setting	Setting Range
79	0	0 to 4, 6 to 8

<Setting>

Pr. 79 Setting	Function
0	External operation mode at power-on PU or external operation can be selected.
1	PU operation mode
2	External operation mode
3	External/PU combined operation mode 1 Running frequency Set from the PU (FR-DU04/FR-PU04) (direct setting,  /  key) or external signal input (multi-speed setting only) Start signal External signal input (terminal STF, STR)
4	External/PU combined operation mode 2 Running frequency External signal input (terminal 2, 4, 1, jog, multi-speed selection) Start signal Input from the PU (FR-DU04/FR-PU04) ( key,  key)
6	Switch-over mode Switch-over between PU operation, external operation and computer link operation (when the communication option such as the FR-A5NR is used) modes can be done while running.
7	External operation mode (PU operation interlock) X12 signal ON May be switched to PU operation mode (output stop during external operation) X12 signal OFF Switching to PU operation mode inhibited
8	Switching to other than external operation mode (disallowed during operation) X16 signal ON Switched to external operation mode X16 signal OFF Switched to PU operation mode

Note: 1. Either "3" or "4" may be set to select the PU/external combined operation. These settings differ in starting method.

2. When an alarm occurs in any operation mode, the motor can be stopped from the PU (FR-DU04 / FR-PU04) by pressing the  button. (Refer to PU stop selection on page 102)

(1) Switch-over mode

You can select between PU operation, external operation and computer link operation (when a communication option such as the FR-A5NR is used).

Operation Mode Switching	Switching Operation/Operating Status
External operation to PU operation	1) Select the PU operation mode with the operation panel or parameter unit. <ul style="list-style-type: none"> • Rotation direction is the same as that of external operation. • Set frequency is as set by the potentiometer (frequency setting potentiometer). (Note that the setting will disappear when power is switched off or the inverter is reset.)
External operation to computer link operation	1) Mode change command to computer link mode is transmitted from the computer. <ul style="list-style-type: none"> • Rotation direction is the same as that of external operation. • Set frequency is as set by the potentiometer (frequency setting potentiometer). (Note that the setting will disappear when power is switched off or the inverter is reset.)
PU operation to external operation	1) Press the external operation key of the parameter unit. <ul style="list-style-type: none"> • Rotation direction is determined by the external operation input signal. • Set frequency is determined by the external frequency setting signal.
PU operation to computer link operation	1) Mode change command to computer link mode is transmitted from the computer. <ul style="list-style-type: none"> • Rotation direction and set frequency are the same as those of PU operation.
Computer link operation to external operation	1) The switch-over command to the external mode is sent from the computer. <ul style="list-style-type: none"> • Rotation direction is determined by the external operation input signal. • Set frequency is determined by the external frequency setting signal.
Computer link operation to PU operation	1) Select the PU operation mode with the operation panel or parameter unit. <ul style="list-style-type: none"> • Rotation direction and set frequency are the same as those of computer link operation.

(2) PU operation interlock

When the PU operation interlock signal is switched off, the operation mode is forcibly changed to the external operation mode. This function prevents the inverter from being inoperative by the external command if the mode is accidentally left unswitched from the PU operation mode.

1) Preparation

- Set "7" in Pr. 79 (PU operation interlock).
- Using any of Pr. 180 to Pr. 186 (input terminal function selection), allocate the terminal used to input X12 (PU external interlock signal).
Refer to page 140 for Pr. 180 to Pr. 186 (input terminal function selection).
- When the X12 signal is not assigned, the function of the MRS signal changes from MRS (output stop) to PU external interlock.


Note: When terminal assignment is changed using Pr. 180 to Pr. 186, the other functions may be affected. Check the functions of the corresponding terminals before making setting.

2) Function

X12 (MRS) Signal	Function/Operation
ON	Output stopped during external operation. Operation mode can be switched to PU operation mode. Parameter values can be rewritten in PU operation mode. PU operation allowed.
OFF	Forcibly switched to external operation mode. External operation allowed. Switching to PU operation mode inhibited.

<Function/operation changed by switching on-off the X12 (MRS) signal>

Operating Condition		X12 (MRS) Signal	Operation Mode (Note 4)	Operating Status	Parameter Write	Switching to PU Operation Mode
Operation mode	Status					
PU	During stop	ON → OFF (Note 3)	External	During stop	Allowed → disallowed	Disallowed
	During operation	ON → OFF (Note 3)		If external operation frequency setting and start signal are entered, operation is performed in that status.	Allowed → disallowed	Disallowed
External	During stop	OFF → ON	External	During stop	Disallowed → disallowed	Allowed
		ON → OFF			Disallowed → disallowed	Disallowed
	During operation	OFF → ON		During operation → output stop	Disallowed → disallowed	Disallowed
		ON → OFF		Output stop → During operation	Disallowed → disallowed	Disallowed

Note: 1. When the Pr. 79 setting is 7 and the PU operation interlock signal is OFF, network operation such as computer link cannot be used.
 2. If the X12 (MRS) signal is on, the operation mode cannot be switched to the PU operation mode when the start signal (STF, STR) is on.
 3. The operation mode switches to the external operation mode independently of whether the start signal (STF, STR) is on or off. Therefore, the motor is run in the external operation mode when the X12 (MRS) signal is switched off with either of STF and STR on.
 4. When an alarm occurs, the inverter can be reset by pressing the  key of the operation panel.
 5. When the MRS signal is used as the PU interlock signal, switching the MRS signal on and rewriting the Pr. 79 value to other than 7 in the PU operation mode causes the MRS signal to provide the ordinary MRS function (output stop). Also, as soon as 7 is set in Pr. 79, the MRS signal acts as a PU interlock signal.
 6. When the MRS signal is used as the PU external interlock signal, the signal logic conforms to the Pr. 17 setting. When Pr. 17 = 2, read ON for OFF and OFF for ON in the above explanation.

(3) Operation mode external signal switching function

1) Preparation

Set "8" (switching to other than external operation mode) in Pr. 79. Using any of Pr. 180 to Pr. 186 (input terminal function selection), allocate the terminal used to input the X16 (PU-external operation switching) signal.

Refer to page 140 for Pr. 180 to Pr. 186 (input terminal function selection).

Note: When terminal assignment is changed using Pr. 180 to Pr. 186, the other functions may be affected. Check the functions of the corresponding terminals before making setting.

2) Function

When the X16 signal is switched on in the PU operation mode, the operation mode is forcibly changed to the external operation mode. When the X16 signal is switched off in the external operation mode, the operation mode is changed to the PU operation mode. When the X16 signal is switched off during network operation such as computer link, the operation mode is changed to the PU operation mode as soon as the switch-over command to the external operation mode is sent from the computer. Note that this switch-over may only be made while the inverter is at a stop and cannot be made during operation.

X16 Signal	Operation Mode
ON	External operation mode (cannot be changed to the PU operation mode)
OFF	PU operation mode (cannot be changed to the external operation mode)

4.2.38 V/F control frequency (voltage) (Pr. 100 to Pr. 109)

Pr. 100 "V/F1 (first frequency)"

Pr. 101 "V/F1 (first frequency voltage)"

Pr. 102 "V/F2 (second frequency)"

Pr. 103 "V/F2 (second frequency voltage)"

Pr. 104 "V/F3 (third frequency)"

Pr. 105 "V/F3 (third frequency voltage)"

Pr. 106 "V/F4 (fourth frequency)"

Pr. 107 "V/F4 (fourth frequency voltage)"

Pr. 108 "V/F5 (fifth frequency)"

Pr. 109 "V/F5 (fifth frequency voltage)"

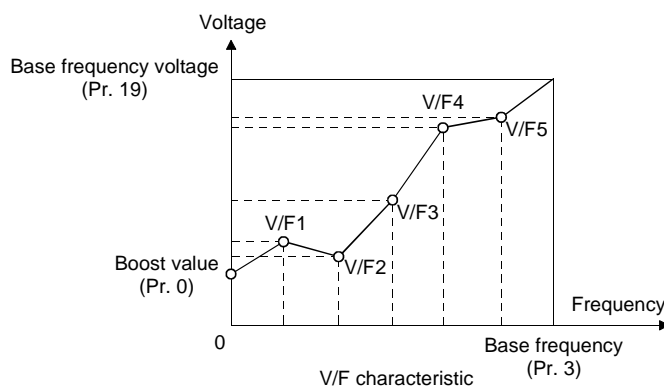
Related parameters

- Pr. 19 "base frequency voltage"
- Pr. 47 "second V/F (base frequency)"
- Pr. 60 "intelligent mode selection"
- Pr. 71 "applied motor"

You can make a dedicated V/F pattern by using V/F (frequency Voltage/Frequency) control to set V/F characteristics from the start to the basic frequency and basic voltage as desired.

- Desired V/F characteristics can be set by presetting V/F1 (first frequency voltage/first frequency), V/F2, V/F3, V/F4 and V/F5 in the corresponding parameters.

Parameter Number	Factory Setting	Setting Range	Remarks
100	9999	0 to 120Hz, 9999	Set "2" in Pr. 71 and a value other than 8888 and 9999 in Pr. 19. These functions are active only when Pr. 60 = 0.
101	0	0 to 1000V	
102	9999	0 to 120Hz, 9999	
103	0	0 to 1000V	
104	9999	0 to 120Hz, 9999	
105	0	0 to 1000V	
106	9999	0 to 120Hz, 9999	
107	0	0 to 1000V	
108	9999	0 to 120Hz, 9999	
109	0	0 to 1000V	



<Setting>

(1) Confirm the settings of Pr. 19, Pr. 60 and Pr. 71.

Parameter Number	Description
19	Set the rated motor voltage. This function is not activated if its value is "9999" and "8888" (factory setting).
60	Set "0" (ordinary operation mode).
71	Set "2" (V/F 5-point flexible characteristic).

(2) Set the desired frequencies and voltages in Pr. 100 to Pr. 109.

- The setting must satisfy the following relationship: $F1 \neq F2 \neq F3 \neq F4 \neq F5 \neq \text{Pr. 3 "base frequency"}$.
If the set frequencies are the same, a write error occurs.
If any frequency setting is "9999", its point is ignored.

Note: 1. The V/F 5-point flexible characteristic functions for V/F control only.
2. These functions are activated only when Pr. 60 = 0.
3. The frequency voltage setting should be equal to or less than the Pr. 3 and Pr. 19 settings.
4. Pr. 19 must be set. (When Pr. 19 = "9999", Pr. 71 cannot be set to "2" (5-point flexible V/F characteristic).)
5. If "2" is set in Pr. 71, Pr. 47 and Pr. 113 do not function.
6. When "2" is set in Pr. 71, the electronic overcurrent protection is calculated for a standard motor.

4.2.39 Computer link operation (Pr. 117 to Pr. 124)

Pr. 117 "Communication station number"

Pr. 118 "communication speed"

Pr. 119 "stop bit length/data length"

Pr. 120 "parity check presence/absence"

Pr. 121 "number of communication retries"

Pr. 122 "communication check time interval"

Pr. 123 "waiting time setting"

Pr. 124 "CR • LF presence/absence selection"

Used to perform required settings for RS-485 communication between the inverter and personal computer. Using the inverter setup software (FR-SW□-SETUP-WE (or -WJ for Japanese version)), parameter setting, monitoring, etc. can be done efficiently.

- The motor can be run from the PU connector of the inverter using RS-485 communication.
Communication specifications

Conforming standard		RS-485	
Number of inverters connected		1:N (maximum 32 inverters)	
Communication speed		Selected between 19200, 9600 and 4800bps	
Control protocol		Asynchronous	
Communication method		Half-duplex	
Communication specifications	Character system	ASCII (7 bits/8 bits) selectable	
	Stop bit length	Selectable between 1 bit and 2 bits.	
	Terminator	CR/LF (presence/absence selectable)	
	Check system	Parity check	Selected between presence (even/odd) or absence
		Sumcheck	Present
	Waiting time setting	Selectable between presence or absence	

- For the data codes of the parameters, refer to the data code list in the appendices.

REMARKS

For computer link operation, set the value "8888" as 65520 (HFFF0) and the value "9999" as 65535 (HFFFF).

Parameter Number	Factory Setting	Setting Range
117	0	0 to 31
118	192	48, 96, 192
119	1	Data length 8 0, 1
		Data length 7 10, 11
120	2	0, 1, 2
121	1	0 to 10, 9999
122*	0 <9999>	0, 0.1 to 999.8 s, 9999
123	9999	0 to 150ms, 9999
124	1	0, 1, 2

* To make communication, set any value other than 0 in Pr. 122 "communication check time interval".

<Setting>

To make communication between the personal computer and inverter, the communication specifications must be set to the inverter initially. If initial setting is not made or there is a setting fault, data transfer cannot be made.

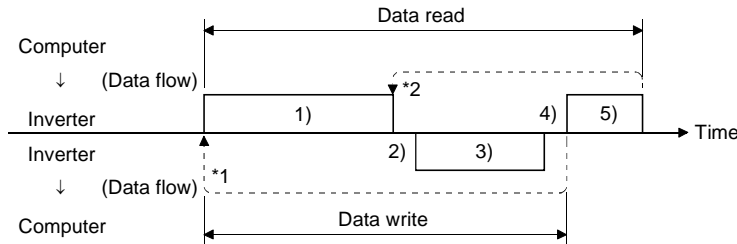
Note: After making the initial setting of the parameters, always reset the inverter. After you have changed the communication-related parameters, communication cannot be made until the inverter is reset.

Parameter Number	Description	Setting	Description
117	Communication station number	0 to 31	Communication station number specified for communication from the PU connector. Set the inverter communication station numbers when two or more inverters are connected to one personal computer.
118	Communication speed	48	4800 bps
		96	9600 bps
		192	19200 bps
119	Stop bit length/data length	8 bits	0 Stop bit length 1 bit
			1 Stop bit length 2 bits
		7 bits	10 Stop bit length 1 bit
			11 Stop bit length 2 bits
120	Parity check presence/absence	0	Absent
		1	Odd parity present
		2	Even parity present
121	Number of communication retries	0 to 10	Set the permissible number of retries at occurrence of data receive error. If the number of consecutive errors exceeds the permissible value, the inverter will come to an alarm stop.
		9999 (65535)	If a communication error occurs, the inverter will not come to an alarm stop. At this time, the inverter can be coasted to a stop by MRS or RES input. During a communication error (H0 to H5), the minor fault signal (LF) is switched on. Allocate the used terminal with any of Pr. 190 to Pr. 195 (output terminal function selection).
122	Communication check time interval	0	No communication
		0.1 to 999.8	Set the communication check time [s] interval.
		9999	If a no-communication state persists for longer than the permissible time, the inverter will come to an alarm stop.
123	Waiting time setting	0 to 150ms	Set the waiting time between data transmission to the inverter and response.
		9999	Set with communication data.
124	CR • LF presence/absence selection	0	Without CR • LF
		1	With CR • Without LF
		2	With CR • LF

<Computer programming>

(1) Communication protocol

Data communication between the computer and inverter is performed using the following procedure:



- *1. If a data error is detected and a retry must be made, execute retry operation from the user program. The inverter comes to an alarm stop if the number of consecutive retries exceeds the parameter setting.
- *2. On receipt of a data error occurrence, the inverter returns “reply data 3)” to the computer again. The inverter comes to an alarm stop if the number of consecutive data errors reaches or exceeds the parameter setting.

(2) Communication operation presence/absence and data format types

Communication operation presence/absence and data format types are as follows:

No.	Operation	Run Command	Running Frequency	Parameter Write	Inverter Reset	Monitoring	Parameter Read
1)	Communication request is sent to the inverter in accordance with the user program.	A'	A	A	A	B	B
2)	Inverter data processing time	Present	Present	Present	Absent	Present	Present
3)	Reply data from the inverter (Data 1) is checked for error)	No error* (Request accepted)	C	C	Absent	E E'	E
		With error (request rejected)	D	D	Absent	F	F
4)	Computer processing delay time	Absent	Absent	Absent	Absent	Absent	Absent
5)	Answer from computer in response to reply data 3) (Data 3) is checked for error)	No error* (No inverter processing)	Absent	Absent	Absent	G	G
		With error (Inverter outputs 3) again.)	Absent	Absent	Absent	Absent	H

* In the communication request data given from the computer to the inverter, 10ms or more is also required after "no data error (ACK)". (Refer to page 115)

(3) Data format

Hexadecimal data is used. Data is automatically transferred in ASCII between the computer and inverter.

• Data format types

1) Communication request data from computer to inverter

[Data write]

Format A	*3 ENQ	Inverter station number	Instruction code	*5 Waiting time	Data	Sum check	*4						
	1	2	3	4	5	6	7	8	9	10	11	12	13

Format A'	*3 ENQ	Inverter station number	Instruction code	*5 Waiting time	Data	Sum check	*4				
	1	2	3	4	5	6	7	8	9	10	11

[Data read]

Format B	*3 ENQ	Inverter station number	Instruction code	*5 Waiting time	Sum check	*4			
	1	2	3	4	5	6	7	8	9

Note: 1. The inverter communication station numbers may be set between H00 and H1F (stations 0 and 31) in hexadecimal.

2. *3 indicates the control code.

3. *4 indicates the CR or LF code.

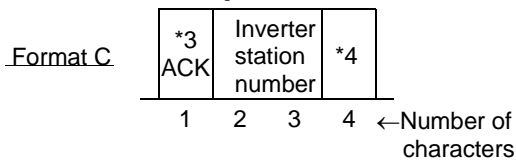
When data is transmitted from the computer to the inverter, codes CR (carriage return) and LF (line feed) are automatically set at the end of a data group on some computers. In this case, setting must also be made from the inverter according to the computer.

Also, the presence and absence of the CR and LF codes can be selected using Pr. 124.

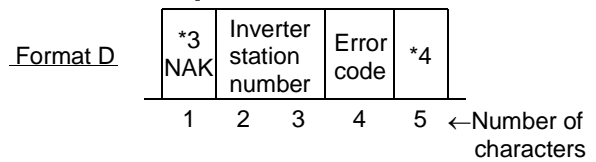
4. *5: When Pr. 123 "waiting time setting" ≠ 9999, create the communication request data with no "waiting time" in the data format. (The number of characters decreases by 1.)

2) Reply data from inverter to computer during data write

[No data error detected]

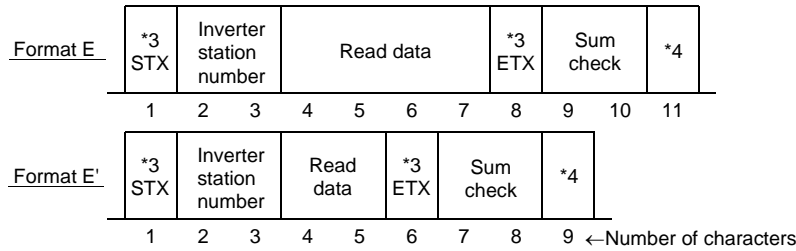


[Data error detected]

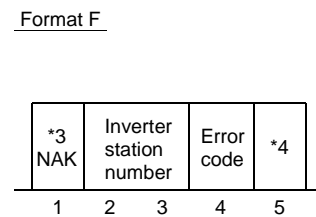


3) Reply data from inverter to computer during data read

[No data error detected]

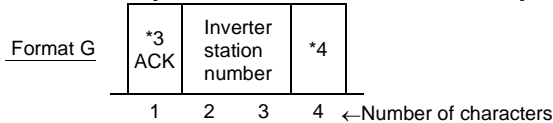


[Data error detected]

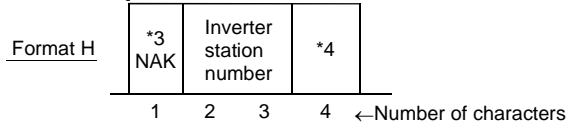


4) Send data from computer to inverter during data read

[No data error detected]



[Data error detected]



(4) Data definitions

1) Control codes

Signal	ASCII Code	Description
STX	H02	Start of Text (Start of data)
ETX	H03	End of Text (End of data)
ENQ	H05	Enquiry (Communication request)
ACK	H06	Acknowledge (No data error detected)
LF	H0A	Line Feed
CR	H0D	Carriage Return
NAK	H15	Negative Acknowledge (Data error detected)

2) Inverter communication station number

Specify the communication station number of the inverter which communicates with the computer.

3) Instruction code

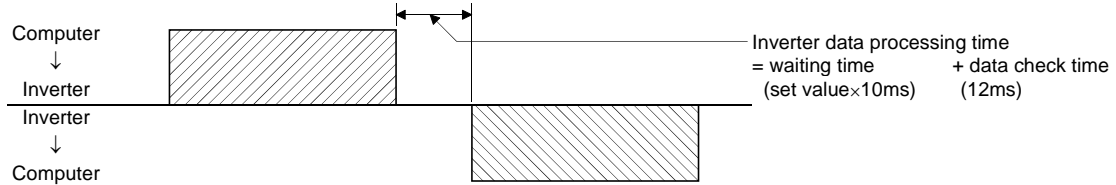
Specify the processing request (e.g. operation, monitoring) given by the computer to the inverter. Hence, the inverter can be run and monitored in various ways by specifying the instruction code as appropriate. (Refer to page 198)

4) Data

Indicates the data such as frequency and parameters transferred to and from the inverter. The definitions and ranges of set data are determined in accordance with the instruction codes. (Refer to page 198)

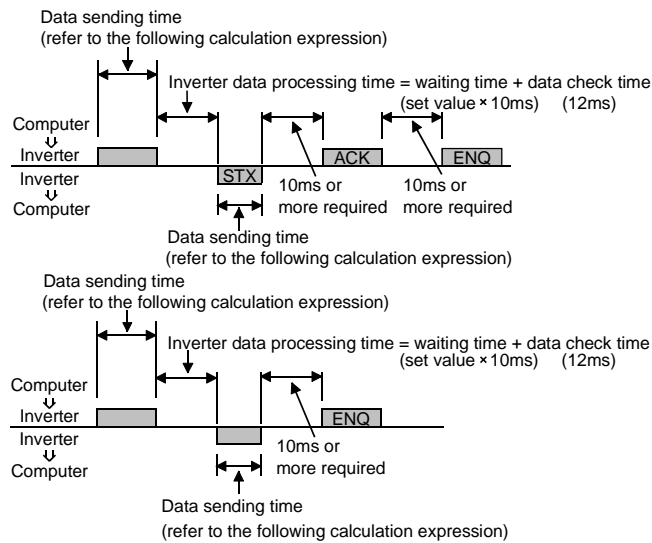
5) Waiting time

Specify the waiting time between the receipt of data at the inverter from the computer and the transmission of reply data. Set the waiting time in accordance with the response time of the computer between 0 and 150ms in 10ms increments (e.g. 1 = 10ms, 2 = 20ms).



Note: If the Pr. 123 "waiting time setting" value is not 9999, create the communication request data with no "waiting time" in the data format. (The number of characters is decremented by 1.)

6) Response time



[Data sending time calculation expression]

$$\frac{1}{\text{Communication speed (bps)}} \times \text{Number of data characters (Refer to page 113)} \times \text{Communication specification (Total number of bits) (See below)} = \text{Data sending time (s)}$$

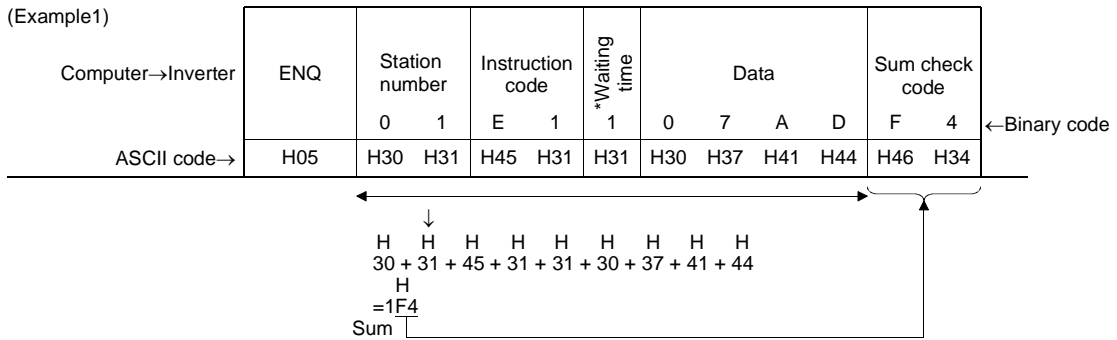
● Communication specification

Name	Number of Bits
Stop bit length	1 bit
	2 bits
Data length	7 bits
	8 bits
Parity check	Yes 1 bit
	No 0 bits

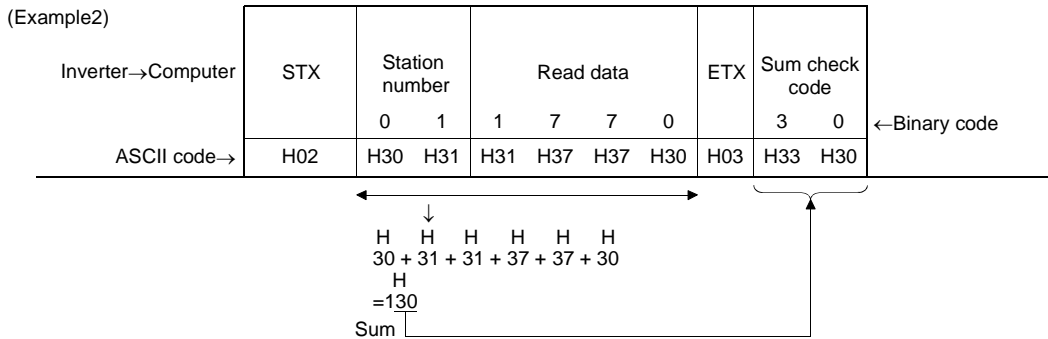
In addition to the bits in the above table, 1 bit is required for the start bit.
 Minimum total number of bits ... 9 bits
 Maximum total number of bits ... 12 bits

7) Sum check code

The sum check code is 2-digit ASCII (hexadecimal) representing the lower 1 byte (8 bits) of the sum (binary) derived from the checked ASCII data.



*When Pr. 123 "waiting time setting" ≠ 9999, create the communication request data with no "waiting time" in the data format. (The number of characters is decreased by 1.)



8) Error code

If any error is found in the data received by the inverter, its definition is sent back to the computer together with the NAK code. (Refer to page 120)

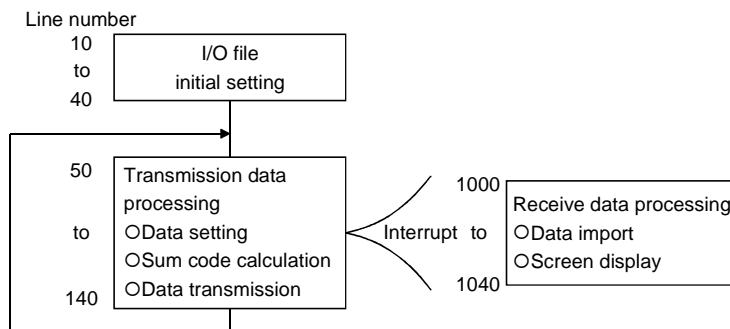
(5) Instructions for the program

- 1) If the data from the computer is in error, the inverter will not accept that data. Hence, always insert a data-error retry program in the user program.
- 2) Since any data communication, such as operation command or monitoring, is always requested by the computer, the inverter will not return data without the computer's request. Hence, design the program so that the computer gives a data read request for monitoring, etc. as required.
- 3) Program example

When the operation mode is switched to communication operation

10 OPEN "COM1: 9600, E, 8, 2, HD" AS #1	Initial setting of I/O file
20 COMST1, 1, 1: COMST1, 2, 1	: Communication file opening
30 ON COM (1) GOSUB*REC	: Circuit control signal (RS, ER) ON/OFF setting
40 COM (1) ON	: Interrupt definition at data receive
50 D\$= "01FB10002"	: Interrupt enable
60 S=0	Transmission data setting
70 FOR I=1 TO LEN (D\$)	
80 A\$=MID\$ (D\$, I, 1)	
90 A=ASC (A\$)	Sum code calculation
100 S=S+A	
110 NEXTI	
120 D\$=CHR\$ (&H5) +D\$+RIGHT\$ (HEX\$ (S) , 2)	: Addition of control and sum codes
130 PRINT#1, D\$	Data transmission
140 GOTO 50	
1000 *REC	Interrupt data receive
1010 IF LOC (1)=0 THEN RETURN	: Interrupt occurrence at data receive
1020 PRINT "RECEIVE DATA"	
1030 PRINT INPUT\$ (LOC (1) , #1)	
1040 RETURN	

General flowchart



⚠ CAUTION

- ⚠ When the inverter's communication check time interval is not set, interlocks are provided to disable operation to prevent hazard. Always set the communication check time interval before starting operation.
- ⚠ Data communication is not started automatically but is made only when the computer provides a communication request. If communication is disabled during operation due to signal cable breakage etc, the inverter cannot be stopped. When the communication check time interval has elapsed, the inverter will come to an alarm stop (E.PUE).
The inverter can be coasted to a stop by switching on its RES signal or by switching power off.
- ⚠ If communication is halted due to signal cable breakage, computer fault etc., the inverter does not detect such a fault. This should be fully noted.

<Setting items and set data>

After completion of parameter setting, set the instruction codes and data and start communication from the computer to allow various types of operation control and monitoring.

No.	Item		Instruction Code	Description	Number of Data Digits																																																																																										
1	Operation mode	Read	H7B	H0000: Communication option operation H0001: External operation H0002: Communication operation (PU connector)	4 digits																																																																																										
		Write	HFB	H0000: Communication option operation H0001: External operation H0002: Communication operation (PU connector)																																																																																											
2	Monitoring	Output frequency [speed]	H6F	H0000 to HFFFF: Output frequency (hexadecimal) in 0.01Hz increments [Speed (hexadecimal) in r/min increments if Pr. 37 = 1 to 9998 or Pr. 144 = 2 to 10, 102 to 110.]	4 digits																																																																																										
		Output current	H70	H0000 to HFFFF: Output current (hexadecimal) in 0.01A increments	4 digits																																																																																										
		Output voltage	H71	H0000 to HFFFF: Output voltage (hexadecimal) in 0.1V increments	4 digits																																																																																										
		Special monitor	H72	H0000 to HFFFF: Monitored data selected by instruction code HF3	4 digits																																																																																										
		Special monitor selection No.	Read H73	<table border="1"> <thead> <tr> <th colspan="6">H01 to H0E Monitor selection data</th> </tr> <tr> <th>Data</th> <th>Description</th> <th>Increments</th> <th>Data</th> <th>Description</th> <th>Increments</th> </tr> </thead> <tbody> <tr> <td>H01</td> <td>Output frequency</td> <td>0.01Hz</td> <td>H0A</td> <td>Electronic overcurrent protection load factor</td> <td>0.1%</td> </tr> <tr> <td>H02</td> <td>Output current</td> <td>0.01A</td> <td>H0B</td> <td>Output current peak value</td> <td>0.01A</td> </tr> <tr> <td>H03</td> <td>Output voltage</td> <td>0.1V</td> <td>H0C</td> <td>Converter output voltage peak value</td> <td>0.1V</td> </tr> <tr> <td>H05</td> <td>Frequency setting</td> <td>0.01Hz</td> <td>H0D</td> <td>Input power</td> <td>0.01kW</td> </tr> <tr> <td>H06</td> <td>Running speed</td> <td>r/min</td> <td>H0E</td> <td>Output power</td> <td>0.01kW</td> </tr> <tr> <td>H08</td> <td>Converter output voltage</td> <td>0.1V</td> <td></td> <td></td> <td></td> </tr> </tbody> </table>			H01 to H0E Monitor selection data						Data	Description	Increments	Data	Description	Increments	H01	Output frequency	0.01Hz	H0A	Electronic overcurrent protection load factor	0.1%	H02	Output current	0.01A	H0B	Output current peak value	0.01A	H03	Output voltage	0.1V	H0C	Converter output voltage peak value	0.1V	H05	Frequency setting	0.01Hz	H0D	Input power	0.01kW	H06	Running speed	r/min	H0E	Output power	0.01kW	H08	Converter output voltage	0.1V				2 digits																																								
		H01 to H0E Monitor selection data																																																																																													
		Data	Description	Increments	Data	Description	Increments																																																																																								
H01	Output frequency	0.01Hz	H0A	Electronic overcurrent protection load factor	0.1%																																																																																										
H02	Output current	0.01A	H0B	Output current peak value	0.01A																																																																																										
H03	Output voltage	0.1V	H0C	Converter output voltage peak value	0.1V																																																																																										
H05	Frequency setting	0.01Hz	H0D	Input power	0.01kW																																																																																										
H06	Running speed	r/min	H0E	Output power	0.01kW																																																																																										
H08	Converter output voltage	0.1V																																																																																													
Write HF3																																																																																															
Alarm definition	H74 to H77	<p>H0000 to HFFFF: Two most recent alarm definitions Read data: [Example] H30A0 (Previous alarm THT) (Most recent alarm OPT)</p> <table border="1"> <tr> <td style="text-align: center;">b15</td> <td style="text-align: center;">b8b7</td> <td style="text-align: center;">b0</td> </tr> <tr> <td style="text-align: center;">0</td><td style="text-align: center;">0</td><td style="text-align: center;">1</td> </tr> <tr> <td style="text-align: center;">1</td><td style="text-align: center;">0</td><td style="text-align: center;">0</td> </tr> <tr> <td style="text-align: center;">0</td><td style="text-align: center;">0</td><td style="text-align: center;">0</td> </tr> <tr> <td style="text-align: center;">0</td><td style="text-align: center;">1</td><td style="text-align: center;">0</td> </tr> <tr> <td style="text-align: center;">1</td><td style="text-align: center;">0</td><td style="text-align: center;">0</td> </tr> <tr> <td style="text-align: center;">0</td><td style="text-align: center;">0</td><td style="text-align: center;">0</td> </tr> <tr> <td style="text-align: center;">0</td><td style="text-align: center;">0</td><td style="text-align: center;">0</td> </tr> </table> <p style="text-align: center;"> Previous alarm (H30) Most recent alarm (HA0) </p> <p>Alarm data</p> <table border="1"> <thead> <tr> <th>Data</th> <th>Description</th> <th>Data</th> <th>Description</th> <th>Data</th> <th>Description</th> </tr> </thead> <tbody> <tr> <td>H00</td> <td>No alarm</td> <td>H50</td> <td>IPF</td> <td>HB0</td> <td>PE</td> </tr> <tr> <td>H10</td> <td>0C1</td> <td>H51</td> <td>UVT</td> <td>HB1</td> <td>PUE</td> </tr> <tr> <td>H11</td> <td>0C2</td> <td>H60</td> <td>OLT</td> <td>HB2</td> <td>RET</td> </tr> <tr> <td>H12</td> <td>0C3</td> <td>H80</td> <td>GF</td> <td>HC1</td> <td>CTE</td> </tr> <tr> <td>H20</td> <td>0V1</td> <td>H81</td> <td>LF</td> <td>HC2</td> <td>P24</td> </tr> <tr> <td>H21</td> <td>0V2</td> <td>H90</td> <td>OHT</td> <td>HF3</td> <td>E. 3</td> </tr> <tr> <td>H22</td> <td>0V3</td> <td>HA0</td> <td>OPT</td> <td>HF6</td> <td>E. 6</td> </tr> <tr> <td>H30</td> <td>THT</td> <td>HA1</td> <td>OP1</td> <td>HF7</td> <td>E. 7</td> </tr> <tr> <td>H31</td> <td>THM</td> <td>HA2</td> <td>OP2</td> <td></td> <td></td> </tr> <tr> <td>H40</td> <td>FIN</td> <td>HA3</td> <td>OP3</td> <td></td> <td></td> </tr> </tbody> </table>			b15	b8b7	b0	0	0	1	1	0	0	0	0	0	0	1	0	1	0	0	0	0	0	0	0	0	Data	Description	Data	Description	Data	Description	H00	No alarm	H50	IPF	HB0	PE	H10	0C1	H51	UVT	HB1	PUE	H11	0C2	H60	OLT	HB2	RET	H12	0C3	H80	GF	HC1	CTE	H20	0V1	H81	LF	HC2	P24	H21	0V2	H90	OHT	HF3	E. 3	H22	0V3	HA0	OPT	HF6	E. 6	H30	THT	HA1	OP1	HF7	E. 7	H31	THM	HA2	OP2			H40	FIN	HA3	OP3			4 digits
b15	b8b7	b0																																																																																													
0	0	1																																																																																													
1	0	0																																																																																													
0	0	0																																																																																													
0	1	0																																																																																													
1	0	0																																																																																													
0	0	0																																																																																													
0	0	0																																																																																													
Data	Description	Data	Description	Data	Description																																																																																										
H00	No alarm	H50	IPF	HB0	PE																																																																																										
H10	0C1	H51	UVT	HB1	PUE																																																																																										
H11	0C2	H60	OLT	HB2	RET																																																																																										
H12	0C3	H80	GF	HC1	CTE																																																																																										
H20	0V1	H81	LF	HC2	P24																																																																																										
H21	0V2	H90	OHT	HF3	E. 3																																																																																										
H22	0V3	HA0	OPT	HF6	E. 6																																																																																										
H30	THT	HA1	OP1	HF7	E. 7																																																																																										
H31	THM	HA2	OP2																																																																																												
H40	FIN	HA3	OP3																																																																																												

PARAMETERS

No.	Item	Instruction Code	Description	Number of Data Digits																									
3	Run command	HFA	<table style="width: 100%; border-collapse: collapse;"> <tr> <td style="text-align: right;">b7</td> <td style="text-align: center;">0</td> <td style="text-align: center;">0</td> <td style="text-align: center;">0</td> <td style="text-align: center;">0</td> <td style="text-align: center;">0</td> <td style="text-align: center;">0</td> <td style="text-align: center;">1</td> <td style="text-align: center;">0</td> <td style="text-align: left;">b0</td> </tr> </table> <p>b0: _____ b1: Forward rotation (STF) b2: Reverse rotation (STR) b3: _____ b4: _____ b5: _____ b6: _____ b7: _____</p> <p>(For example 1) [Example 1] H02 ... Forward rotation [Example 2] H00 ... Stop</p>	b7	0	0	0	0	0	0	1	0	b0	2 digits															
b7	0	0	0	0	0	0	1	0	b0																				
4	Inverter status monitor	H7A	<table style="width: 100%; border-collapse: collapse;"> <tr> <td style="text-align: right;">b7</td> <td style="text-align: center;">0</td> <td style="text-align: center;">0</td> <td style="text-align: center;">0</td> <td style="text-align: center;">0</td> <td style="text-align: center;">0</td> <td style="text-align: center;">0</td> <td style="text-align: center;">1</td> <td style="text-align: center;">0</td> <td style="text-align: left;">b0</td> </tr> </table> <p>b0: Inverter running (RUN) * b1: Forward rotation b2: Reverse rotation b3: Up to frequency (SU) * b4: Overload (OL) * b5: Instantaneous power failure (IPF) * b6: Frequency detection (FU) * b7: Alarm occurrence *</p> <p>(For example 1) [Example 1] H02 ... During forward rotation [Example 2] H80 ... Stop due to alarm</p> <p>*The output data depends on the Pr. 190 to Pr. 195 settings.</p>	b7	0	0	0	0	0	0	1	0	b0	2 digits															
b7	0	0	0	0	0	0	1	0	b0																				
5	Set frequency read (E ² PROM)	H6E	Reads the set frequency (RAM or E ² PROM). H0000 to H2EE0: 0.01Hz increments (hexadecimal)	4 digits																									
	Set frequency read (RAM)	H6D																											
	Set frequency write (E ² PROM)	HEE																											
	Set frequency write (RAM)	HED																											
6	Inverter reset	HFD	H9696: Resets the inverter. As the inverter is reset on start of communication by the computer, the inverter cannot send reply data back to the computer.	4 digits																									
7	Alarm definition batch clear	HF4	H9696: Batch clear of alarm history	4 digits																									
8	All clear	HFC	All parameters return to the factory settings. Any of four different clear operations is performed according to the data. <table border="1" style="width: 100%; border-collapse: collapse; margin-top: 10px;"> <thead> <tr> <th style="text-align: left;">Pr. Data</th> <th>Communi- cation Pr.</th> <th>Calibration</th> <th>Other Pr.*</th> <th>HEC HF3 HFF</th> </tr> </thead> <tbody> <tr> <td>H9696</td> <td style="text-align: center;">○</td> <td style="text-align: center;">×</td> <td style="text-align: center;">○</td> <td style="text-align: center;">○</td> </tr> <tr> <td>H9966</td> <td style="text-align: center;">○</td> <td style="text-align: center;">○</td> <td style="text-align: center;">○</td> <td style="text-align: center;">○</td> </tr> <tr> <td>H5A5A</td> <td style="text-align: center;">×</td> <td style="text-align: center;">×</td> <td style="text-align: center;">○</td> <td style="text-align: center;">○</td> </tr> <tr> <td>H55AA</td> <td style="text-align: center;">×</td> <td style="text-align: center;">○</td> <td style="text-align: center;">○</td> <td style="text-align: center;">○</td> </tr> </tbody> </table> <p>When all parameter clear is executed for H9696 or H9966, communication-related parameter settings also return to the factory settings. When resuming operation, set the parameters again. *Pr. 75 value is not cleared.</p>	Pr. Data	Communi- cation Pr.	Calibration	Other Pr.*	HEC HF3 HFF	H9696	○	×	○	○	H9966	○	○	○	○	H5A5A	×	×	○	○	H55AA	×	○	○	○	4 digits
Pr. Data	Communi- cation Pr.	Calibration	Other Pr.*	HEC HF3 HFF																									
H9696	○	×	○	○																									
H9966	○	○	○	○																									
H5A5A	×	×	○	○																									
H55AA	×	○	○	○																									
9	User clear	HFC	H9669: User clear is made. <table border="1" style="width: 100%; border-collapse: collapse; margin-top: 10px;"> <thead> <tr> <th>Communi- cation Pr.</th> <th>Calibration</th> <th>Other Pr.*</th> <th>HEC HF3 HFF</th> </tr> </thead> <tbody> <tr> <td style="text-align: center;">○</td> <td style="text-align: center;">×</td> <td style="text-align: center;">○</td> <td style="text-align: center;">○</td> </tr> </tbody> </table> <p>*Pr. 75, Pr. 180 to Pr. 186 and Pr. 190 to Pr. 195 values are not cleared.</p>	Communi- cation Pr.	Calibration	Other Pr.*	HEC HF3 HFF	○	×	○	○	4 digits																	
Communi- cation Pr.	Calibration	Other Pr.*	HEC HF3 HFF																										
○	×	○	○																										
10	Parameter write	H80 to HE3	Refer to the data list (page 198) and write and/or read parameter values as required.	4 digits																									
11	Parameter read	H00 to H63																											
12	Link parameter expansion setting	Read	Parameter description is changed according to the H00 to H09 setting. Refer to the parameter data code list (page 198) for details of the setting value.	2 digits																									
		Write			HFF																								

PARAMETERS

No.	Item		Instruction Code	Description	Number of Data Digits
13	Second parameter changing (Code FF = 1)	Read	H6C	When setting the bias/gain (Instruction code H5E to H61, HDE to HE1) parameter H00: Offset/gain H01: Analog H02: Analog value of terminal	2 digits
		Write	HEC		

REMARKS

Once the HFF, HEC or HF3 instruction code is written, the set value is held, but is reset to 0 when the inverter is reset or all clear is performed.

<Error Code List>

The corresponding error code in the following list is displayed if an error is detected in any communication request data from the computer.

Error Code	Item	Definition	Inverter Operation
H0	Computer NAK error	The number of errors consecutively detected in communication request data from the computer is greater than allowed number of retry times.	Brought to an alarm stop (E.OPT) if error occurs continuously more than the allowable number of retry times.
H1	Parity error	The parity check result does not match the specified parity.	
H2	Sum check error	The sum check code in the computer does not match that of the data received by the inverter.	
H3	Protocol error	Data received by the inverter is in the wrong protocol, data receive is not completed within the given time, or CR and LF are not as set in the parameter.	
H4	Framing error	The stop bit length is not as specified.	
H5	Overrun error	New data has been sent by the computer before the inverter completes receiving the preceding data.	
H6	_____	_____	_____
H7	Character error	The character received is invalid (other than 0 to 9, A to F, control code).	Does not accept receive data but is not brought to alarm stop.
H8	_____	_____	_____
H9	_____	_____	_____
HA	Mode error	Parameter write was attempted in other than the computer link operation mode or during inverter operation.	Does not accept or receive data but is not brought to alarm stop.
HB	Instruction code error	The specified command does not exist.	
HC	Data range error	Invalid data has been specified for parameter write, frequency setting, etc.	
HD	_____	_____	_____
HE	_____	_____	_____
HF	_____	_____	_____

(6) Communication specifications for RS-485 communication

Operation Location	Item	Operation Mode		
		Communication Operation from PU Connector	External Operation	Computer Link Operation (inboard option used)
Computer user program via PU connector	Run command (start)	Enable	Disable	Disable
	Running frequency setting	Enable	Enable (Combined operation mode)	Disable
	Monitoring	Enable	Enable	Enable
	Parameter write	Enable (*4)	Disable (*4)	Disable (*4)
	Parameter read	Enable	Enable	Enable
	Inverter reset	Enable (*2)	Enable (*2)	Enable (*2)
	Stop command (*3)	Enable	Enable	Enable
Computer user program via inboard option	Run command	Disable	Disable	Enable (*1)
	Running frequency setting	Disable	Disable	Enable (*1)
	Monitoring	Enable	Enable	Enable
	Parameter write	Disable (*4)	Disable (*4)	Enable (*4)
	Parameter read	Enable	Enable	Enable
	Inverter reset	Disable	Disable	Enable (*2)
	Stop command (*3)	Disable	Disable	Enable
Control circuit terminal	Inverter reset	Enable	Enable	Enable
	Run command	Disable	Enable	Enable (*1)
	Running frequency setting	Disable	Enable	Enable (*1)

(*1) As set in the operation and speed command source parameters.

(*2) At occurrence of RS-485 communication fault, the inverter cannot be reset from the computer.

(*3) As set in Pr. 75.

(*4) As set in Pr. 77.

(7) Operation at alarm occurrence

Fault Location	Status		Operation Mode		
			Communication Operation (PU connector)	External Operation	Computer link Operation (inboard option used)
Inverter fault	Inverter operation		Stop	Stop	Stop
	Communication	PU connector	Continued	Continued	Continued
		Inboard option	Continued	Continued	Continued
Communication error (Communication from PU connector)	Inverter operation		Stop/continued (*5)	Continued	Continued
	Communication	PU connector	Stop	Stop	Stop
		Inboard option	Continued	Continued	Continued
Communication error (Inboard option)	Inverter operation		Continued	Continued	Stop/continued (*6)
	Communication	PU connector	Continued	Continued	Continued
		Inboard option	Stop	Stop	Stop

(*5) Can be selected using the corresponding parameter (factory-set to continue)

(*6) Can be selected using the corresponding parameter (factory-set to stop)

(8) Communication error

Fault Location	Error Message
Communication error (Error in communication from PU connector)	E.PUE
Communication error (Computer link inboard option)	E.OP1 to E.OP3

4.2.40 PID control (Pr. 128 to Pr. 134)

Pr. 128 "PID action selection"

Pr. 129 "PID proportional band"

Pr. 130 "PID integral time"

Pr. 131 "upper limit"

Pr. 132 "lower limit"

Pr. 133 "PID action set point for PU operation"

Pr. 134 "PID differential time"

Related parameters

- Pr. 73 "0-5V/0-10V selection"
- Pr. 79 "operation mode selection"
- Pr. 180 to Pr. 186
(input terminal function selection)
- Pr. 190 to Pr. 195
(output terminal function selection)
- Pr. 500 to Pr. 516
(Advanced PID control)
(NA, EC versions only)
- Pr. 902 to Pr. 905
(frequency setting voltage
(current) biases and gains)

The inverter can be used to exercise process control, e.g. flow rate, air volume or pressure.

- The voltage input signal (0 to ±5V or 0 to ±10V) or Pr. 133 setting is used as a set point and the 4 to 20mADC current input signal used as a feedback value to constitute a feedback system for PID control.
- Refer to page 147 for advanced PID control. (NA, EC versions only)

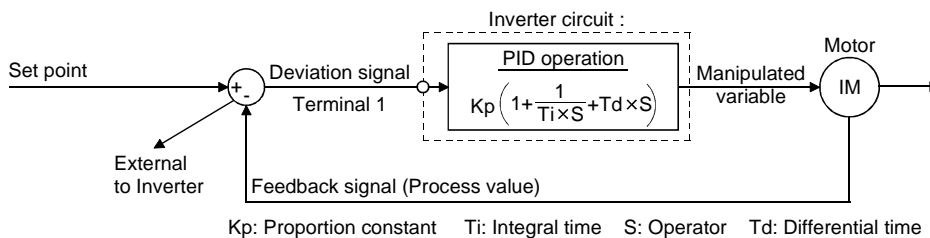
Parameter Number	Factory Setting	Setting Range	Remarks
128	10	10, 11, 20, 21, (30, 31 Note)	30, 31: Setting valid only under advanced PID control
129	100%	0.1 to 1000%, 9999	9999: No proportional control
130	1 s	0.1 to 3600 s, 9999	9999: No integral control
131	9999	0 to 100%, 9999	9999: Function invalid
132	9999	0 to 100%, 9999	9999: Function invalid
133	0%	0 to 100%	
134	9999	0.01 to 10.00 s, 9999	9999: No differential control

Note: Setting may be made for the NA and EC versions only.

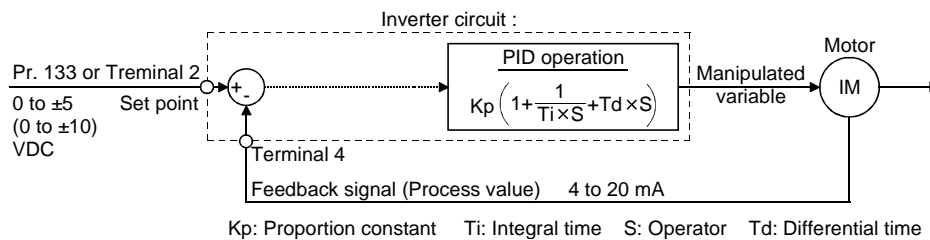
<Setting>

(1) Basic PID control configuration

Pr. 128 = 10, 11



Pr. 128 = 20, 21



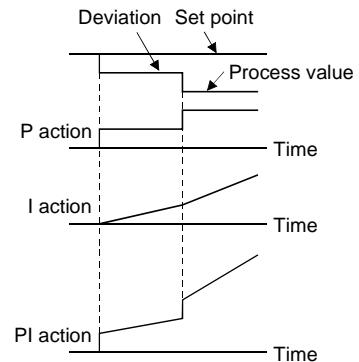
(2) PID action overview

1) PI action

A combination of proportional control action (P) and integral control action (I) for providing a manipulated variable in response to deviation and changes with time.

[Operation example for stepped changes of process value]

Note: PI action is the sum of P and I actions.

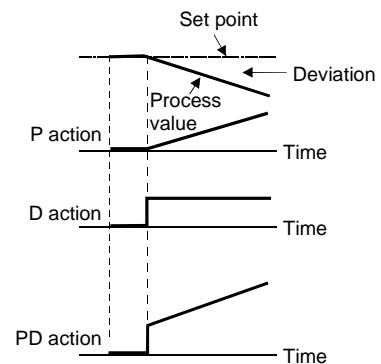


2) PD action

A combination of proportional control action (P) and differential control action (D) for providing a manipulated variable in response to deviation speed to improve the transient characteristic.

[Operation example for proportional changes of process value]

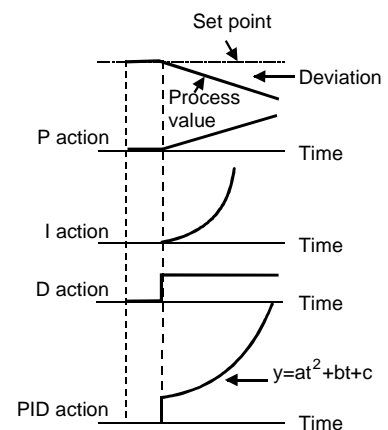
Note: PD action is the sum of P and D actions.



3) PID action

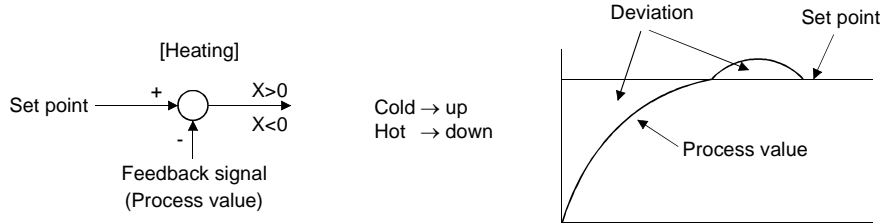
The PI action and PD action are combined to utilize the advantages of both actions for control.

Note: The PID action is the sum of the P, I and D actions.



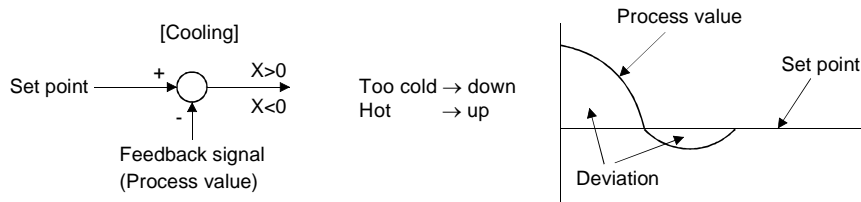
4) Reverse action

Increases the manipulated variable (output frequency) if deviation $X = (\text{set point} - \text{process value})$ is positive, and decreases the manipulated variable if deviation is negative.



5) Forward action

Increases the manipulated variable (output frequency) if deviation $X = (\text{set point} - \text{process value})$ is negative, and decreases the manipulated variable if deviation is positive.

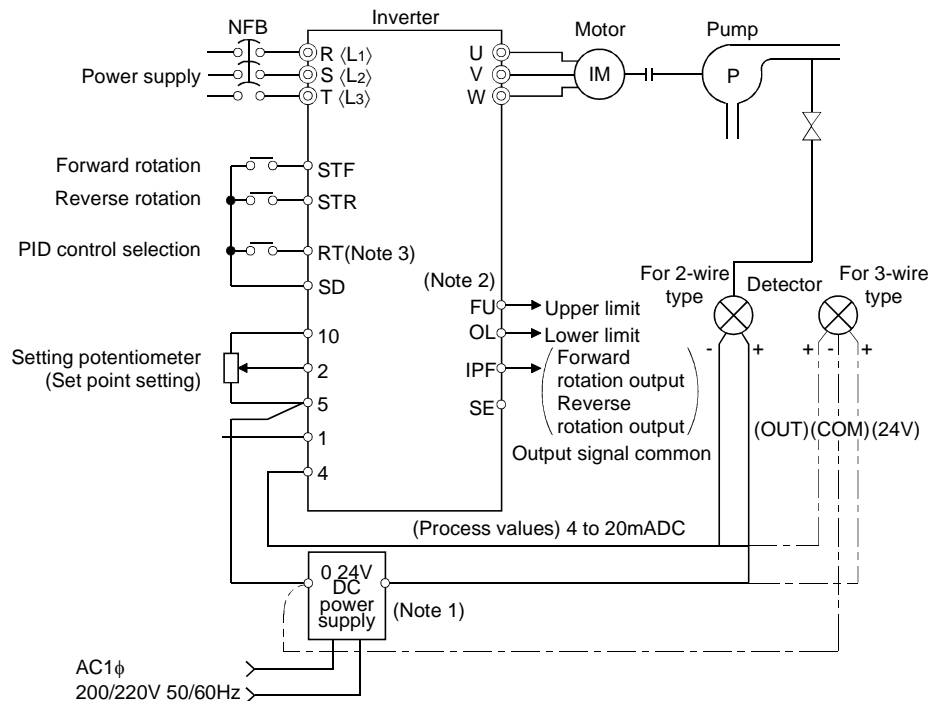


Relationships between deviation and manipulated variable (output frequency)

	Deviation	
	Positive	Negative
Reverse action	↗	↘
Forward action	↘	↗

(3) Wiring example

- Sink logic
- Pr. 128 = 20
- Pr. 183 = 14
- Pr. 192 = 16
- Pr. 193 = 14
- Pr. 194 = 15



Note: 1. The power supply must be selected in accordance with the power specifications of the detector used.
 2. The output signal terminals used depends on the Pr. 191 to Pr. 194 settings.
 3. The input signal terminals used depends on the Pr. 180 to Pr. 186 settings.

(4) I/O signals

Signal	Terminal Used	Function	Description	Remarks	
Input	X14	Depending on Pr. 180 to Pr. 186	PID control selection	Switch on X14 to select PID control.	Set any of "10, 11, 20 and 21" in Pr. 128.
	2	2	Set point input	Enter the set point for PID control.	Pr. 128 = 20, 21
	1	1	Deviation signal input	Enter the deviation signal calculated externally.	Pr. 128 = 10, 11
	4	4	Process value input	Enter the 4-20mADC process value signal from the detector.	Pr. 128 = 20, 21
Output	FUP	Depending on Pr. 191 to Pr. 195	Upper limit output	Output to indicate that the process value signal exceeded the upper limit value.	(Pr. 128 = 20, 21)
	FDN		Lower limit output	Output to indicate that the process value signal exceeded the lower limit value.	
	RL		Forward (reverse) rotation direction output	"Hi" is output to indicate that the output indication of the parameter unit is forward rotation (FWD) or "Low" to indicate that it is reverse rotation (REV) or stop (STOP).	(Pr. 128 = 10, 11, 20, 21)
	SE	SE	Output terminal common	Common to terminals FUP, FDN and RL	

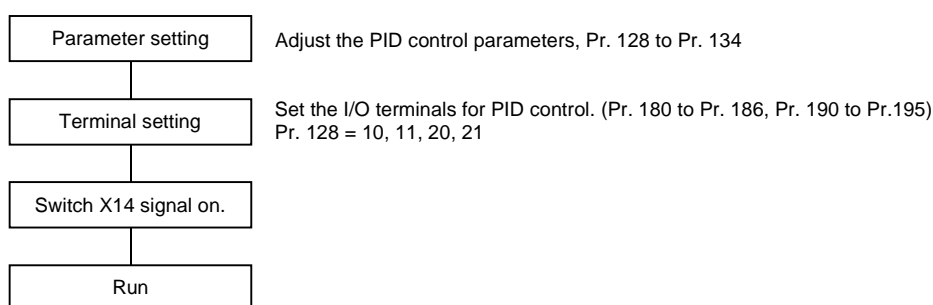
- To start PID control or Advanced PID control, switch on the X14 signal. When this signal is off, ordinary inverter operation is performed without the PID action being done.
- Enter the set point across inverter terminals 2-5 or into Pr. 133 and enter the process value signal across inverter terminals 4-5. At this time, set "20" or "21" in Pr. 128.
- When entering an externally calculated deviation signal, enter it across terminals 1-5. At this time, set "10" or "11" in Pr. 128.

Item	Entry	Description	
Set point	Across terminals 2-5	Set 0V as 0% and 5V as 100%.	When "1, 3, 5, 11, 13 or 15" is set in Pr. 73 (5V selected for terminal 2).
		Set 0V as 0% and 10V as 100%.	When "0, 2, 4, 10, 12 or 14" is set in Pr. 73 (10V selected for terminal 2).
	Pr. 133	Set the set point (%) in Pr. 133.	
Deviation signal	Across terminals 1-5	Set -5V as -100%, 0V as 0% and +5V as +100%.	When "2, 3, 5, 12, 13 or 15" is set in Pr. 73 (5V selected for terminal 1).
		Set -10V as -100%, 0V as 0% and +10V as +100%.	When "0, 1, 4, 10, 11 or 14" is set in Pr. 73 (10V selected for terminal 1).
Process value	Across terminals 4-5	4mADC is equivalent to 0% and 20mADC to 100%.	

(5) Parameter setting

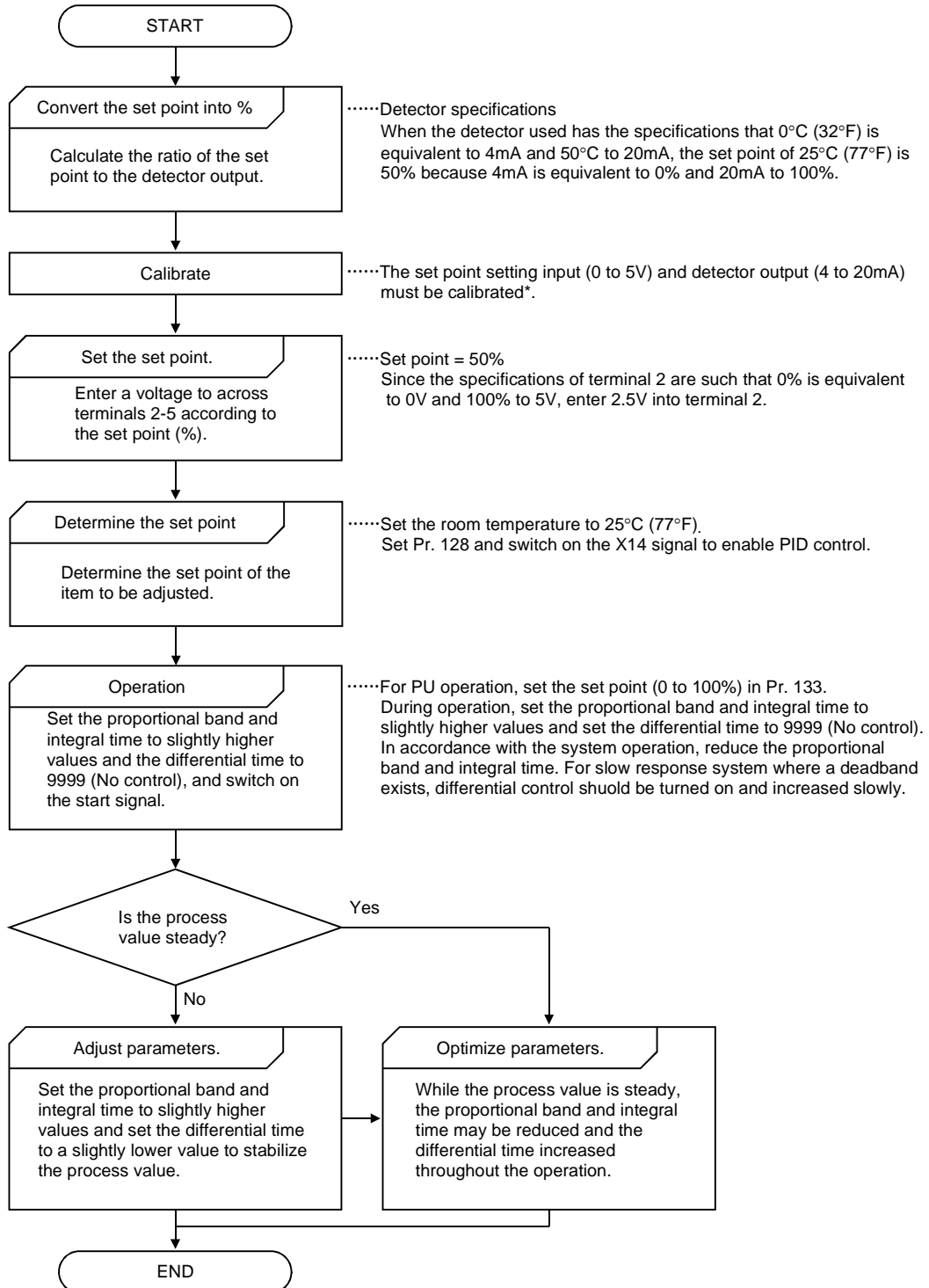
Parameter Number	Setting	Name	Description		
128	10	PID action selection	For heating, pressure control, etc.	Deviation value signal input (terminal 1)	PID reverse action
	11		For cooling, etc.		PID forward action
	20		For heating, pressure control, etc.	Set point (terminal 2 or Pr. 133), Process value input, (terminal 4)	PID reverse action
	21		For cooling, etc.		PID forward action
	30	Valid only under advanced PID control (NA, EC versions only) Refer to page 151.			
	31	Valid only under advanced PID control (NA, EC versions only) Refer to page 151.			
129	0.1 to 1000%	PID proportional band	If the proportional band is narrow (parameter setting is small), the manipulated variable varies greatly with a slight change of the process value. Hence, as the proportional band narrows, the response sensitivity (gain) improves but the stability deteriorates, e.g. hunting occurs. Gain $K = 1/\text{proportional band}$.		
	9999		No proportional control		
130	0.1 to 3600 s	PID integral time	Time only required for the integral (I) action to provide the same manipulated variable as that for the proportional (P) action. As the integral time decreases, the set point is reached earlier but hunting occurs more easily.		
	9999		No integral control.		
131	0 to 100%	Upper limit	Set the upper limit. If the feedback value exceeds the setting, the FUP signal is output. (Process value of 4mA is equivalent to 0% and 20mA to 100%.)		
	9999		No function		
132	0 to 100%	Lower limit	Set the lower limit. If the feedback value falls below the setting, the FDN signal is output. (Process value of 4mA is equivalent to 0% and 20mA to 100%.)		
	9999		No function		
133	0 to 100%	PID action set point for PU operation	Only valid for the PU command in the PU operation or PU/external combined mode. For external operation, the voltage across 2-5 is the set point. (Pr. 902 value is equivalent to 0% and Pr. 903 value to 100%.)		
134	0.01 to 10.00 s	PID differential time	Time only required for the differential (D) action to provide the same process value as that for the proportional (P) action. As the differential time increases, greater response is made to the deviation change.		
	9999		No differential control.		

(6) Adjustment procedure



(7) Calibration example

(A detector of 4mA at 0°C (32°F) and 20mA at 50°C (122°F) is used to adjust the room temperature to 25°C (77°F) under PID control. The set point is given to across inverter terminals 2-5 (0-5V).)



*When calibration is required, use Pr. 902 and Pr. 903 (terminal 2) or Pr. 904 and Pr. 905 (terminal 4) to calibrate the detector output and set point setting input in the PU mode during an inverter stop.

<Set point input calibration>

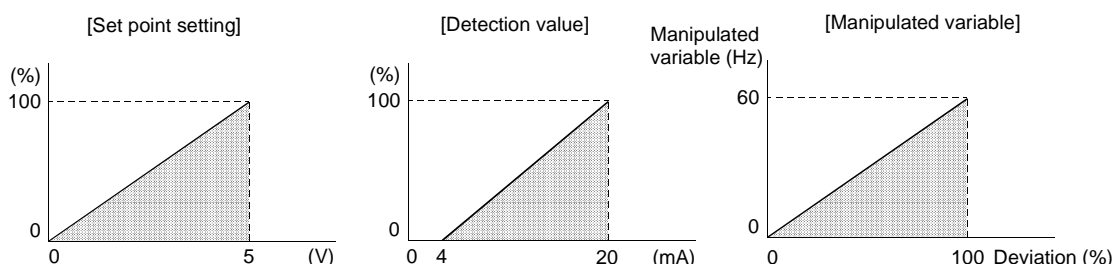
1. Apply the input voltage of 0% set point setting (e.g. 0V) to across terminals 2-5.
2. Make calibration using Pr. 902. At this time, enter the frequency (e.g. 0Hz) which should be output by the inverter at the deviation of 0%.
3. Apply the voltage of 100% set point setting (e.g. 5V) to across terminals 2-5.
4. Make calibration using Pr. 903. At this time, enter the frequency (e.g. 60Hz) which should be output by the inverter at the deviation of 100%.

<Detector output calibration>

1. Apply the output current of 0% detector setting (e.g. 4mA) to across terminals 4-5.
2. Make calibration using Pr. 904.
3. Apply the output current of 100% detector setting (e.g. 20mA) to across terminals 4-5.
4. Make calibration using Pr. 905.

Note: The frequencies set in Pr. 904 and Pr. 905 should be the same as set in Pr. 902 and Pr. 903.

The results of the above calibration are as shown below:



- Note:
1. If the multi-speed (RH, RM, RL) signal or jog operation (JOG) signal is entered with the X14 signal on, PID control is stopped and multi-speed or jog operation is started.
 2. When "20" or "21" is set in Pr. 128, note that the input across inverter terminals 1-5 is added to the set point across terminals 2-5.
 3. When "6" (switch-over mode) is selected for Pr. 79, PID is made invalid.
 4. When "9999" is set in Pr. 22, the stall prevention level is the value entered from terminal 1. To use terminal 1 as the edit input terminal for PID, set a value other than "9999" in Pr. 22.
 5. When the terminal functions are changed using Pr. 180 to Pr. 186 and/or Pr. 190 to Pr. 195, the other functions may be affected. Confirm the functions of the corresponding terminals before making settings.
 6. When you have chosen the PID control, the minimum frequency is as set in Pr. 902 and the maximum frequency is as set in Pr. 903.
(The settings of Pr. 1 "maximum frequency" and Pr. 2 "minimum frequency" are also valid.)

4.2.41 Commercial power supply-inverter switch-over function (Pr. 135 to Pr. 139)

Pr. 135 "commercial power supply-inverter switch-over sequence output terminal selection"

Pr. 136 "MC switch-over interlock time"

Pr. 137 "start waiting time"

Pr. 138 "commercial power supply-inverter switch-over selection at alarm occurrence"

Pr. 139 "automatic inverter-commercial power supply switch-over frequency"

Related parameters

Pr. 11 "DC injection brake operation time"

Pr. 57 "restart coasting time"

Pr. 58 "restart cushion time"

Pr. 180 to Pr. 186

(input terminal function selection)

Pr. 190 to Pr. 195

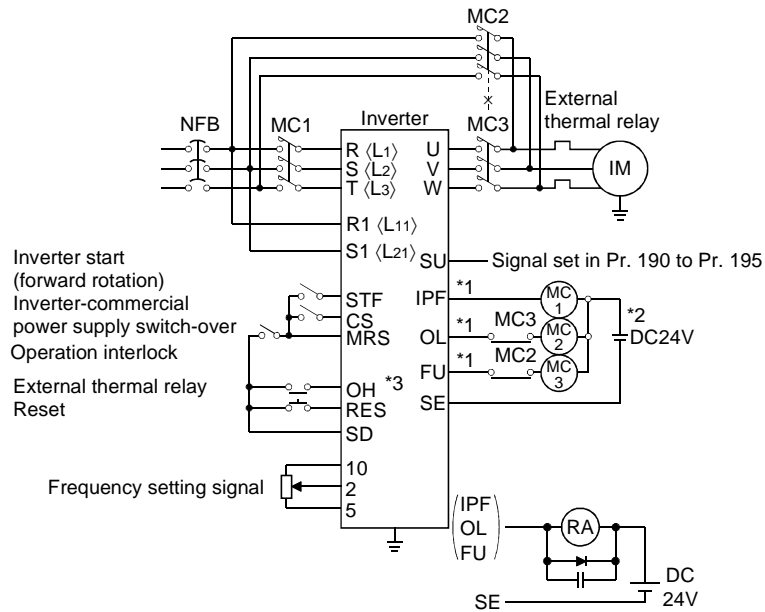
(output terminal function selection)

The inverter contains a complicated sequence circuit for commercial power supply-inverter operation switch-over. Hence, the magnetic contactors for switch-over can be interlocked easily by merely entering the start, stop or automatic switch-over select signal.

Parameter Number	Factory Setting	Setting Range	Remarks
135	0	0, 1	
136	0.1 s	0 to 100.0 s	
137	0.5 s	0 to 100.0 s	
138	0	0,1	
139	9999	0 to 60.0Hz, 9999	9999: No automatic switch-over

(1) Wiring example

Sink logic, Pr. 185 = 7, Pr. 186 = 6, Pr. 192 = 17, Pr. 193 = 18, Pr. 194 = 19



Note: ·This switch-over function is used in the external operation mode. Always connect terminals R1, S1 (L11, L21) to a different power supply (power supply different from the one for MC1) to ensure proper operation.
·MC2 and MC3 must be mechanically interlocked.

*1. Note the sequence output terminal capacities. The terminals used depend on the Pr. 190 to Pr. 194 settings.

Output Terminal Capacity	Permissible Output Terminal Load
Inverter's open collector outputs (IPF, OL, FU)	24VDC 0.1A
FR-A5AR (option output)	230VAC 0.3A 30VDC 0.3A

*2. When connecting an AC power supply, connect the FR-A5AR option and use the contact output.
When connecting a DC power supply, install the following protective diode.

*3. The terminals used depend on the Pr. 180 to Pr. 186 settings.

• Roles of the magnetic contactors (MC1, MC2, MC3)

Magnetic Contactor	Place of Installation	Role
MC1	Between power supply and inverter	Normally shorted with the following exception: Opened only when an inverter fault occurs (shorted again by resetting)
MC2	Between power supply and motor	Shorted for commercial power supply operation, opened for inverter operation Shorted when an inverter fault occurs (selected with parameter, except for external thermal relay operation)
MC3	Between inverter output and motor	Shorted for inverter operation, opened for commercial power supply operation Opened when an inverter fault occurs

<I/O signals>

1) When this function is used (Pr. 135 = "1"), the input signals are switched on-off as indicated below:

Signal	Terminal Used	Function	On-Off	MC Operation (O: ON, x: OFF)		
				MC1	MC2	MC3
MRS	MRS	Operation enable/disable selection	Commercial power supply-inverter operation enableON	○	—	—
			Commercial power supply-inverter operation disableOFF	○	×	Unchanged
CS	Depending on Pr. 180 to Pr.186	Inverter-commercial power supply switch-over	Inverter operationON	○	×	○
			Commercial power supply operationOFF	○	○	×
STF (STR)	STF (STR)	Inverter operation command (invalid for commercial power supply) (Note)	Forward (reverse) rotationON	○	×	○
			StopOFF	○	×	○
OH	Depending on Pr. 180 to Pr.186	External thermal relay input	Motor normal ...ON	○	—	—
			Motor faultOFF	×	×	×
RES	RES	Operating condition initialization	Initialization.....ON	Unchanged	×	Unchanged
			Normal operationOFF	○	—	—

Note: • In the above MC Operation field, [-] indicates that MC1 is on, MC2 is off and MC3 is on in inverter operation and MC1 is on, MC2 is on and MC3 is off in commercial power supply operation. [Unchanged] indicates that the status before signal-on or -off is held.

- The CS signal only functions when the MRS signal is on. STF (STR) only functions when MRS and CS are on.
- MC1 switches off when an inverter fault occurs.
- If the MRS signal is not switched on, neither commercial power supply nor inverter operation can be performed.
- For the RES signal, reset input acceptance selection can be made using reset selection (Pr. 75).

2) The output signals are output as follows:

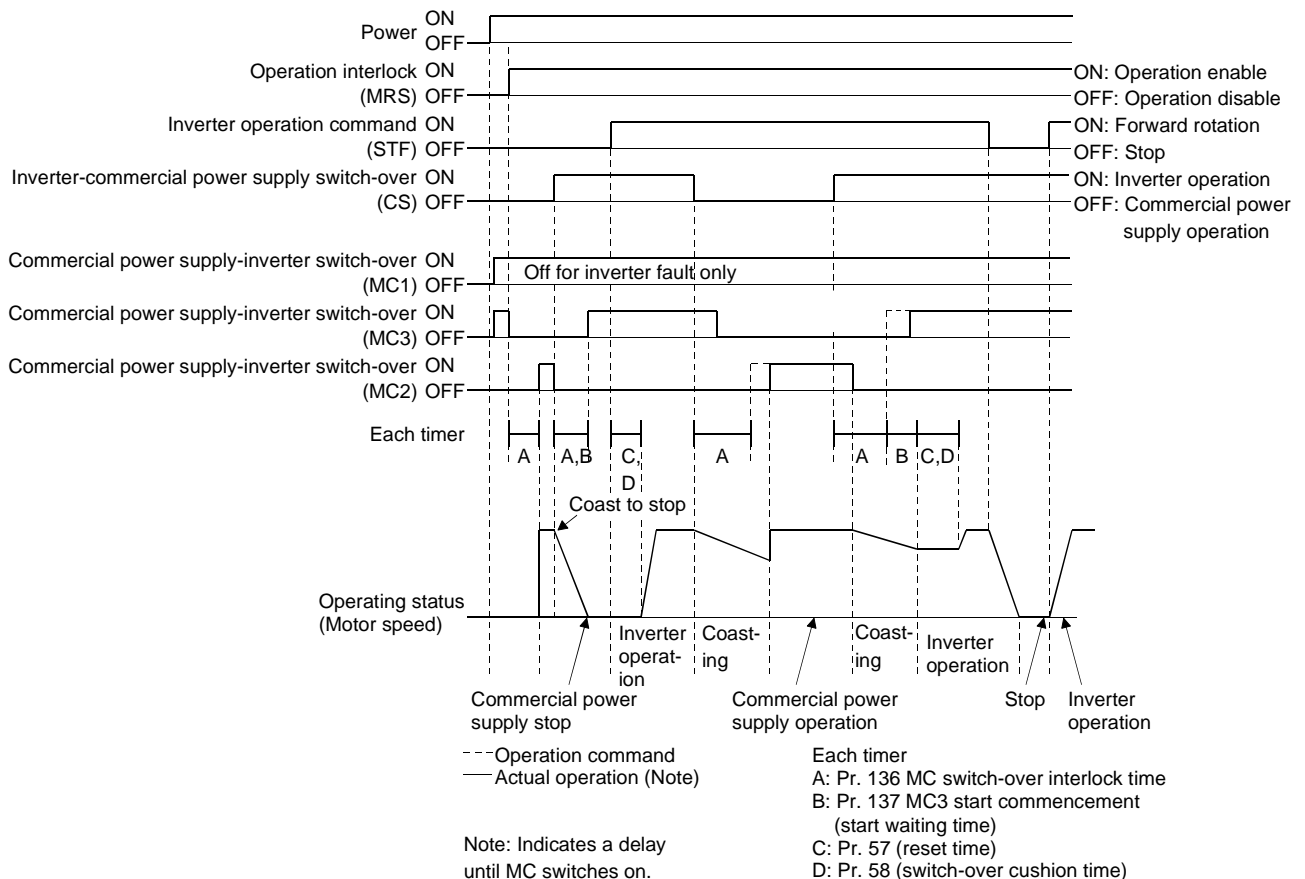
Signal	Terminal Used	Description
MC1	Depending on Pr. 190 to Pr. 195	MC1's operation signal is output
MC2		MC2's operation signal is output
MC3		MC3's operation signal is output

(2) Parameter setting

Parameter Number	Name	Setting	Description
135	Commercial power supply-inverter switch-over sequence output terminal selection	0	Sequence output is not provided. (Pr. 136, Pr. 137, Pr. 138 and Pr. 139 settings are ignored.)
		1	Sequence output is provided. When MC1 to MC3 are assigned with Pr. 190 to Pr. 195 (output terminal function selection), open collector outputs are provided. When they are not assigned, relay outputs are provided from the FR-A5AR (option).
136	MC switch-over interlock time	0 to 100.0 s	Sets the MC2 and MC3 operation interlock time.
137	Start waiting time	0 to 100.0 s	Set a slightly longer (about 0.3 to 0.5 s) value than the time from when the ON signal enters inverter operation MC3 to when it actually switches on.
138	Commercial power supply-inverter switch-over selection at alarm occurrence	0	Stops inverter operation and coasts the motor. The inverter stops when an inverter fault occurs (both MC2 and MC3 switch off).
		1	Stops inverter operation and automatically switches inverter operation to commercial power supply operation. When an inverter fault occurs, inverter operation is automatically switched to commercial power supply operation (MC2: ON, MC3: OFF).
139	Automatic inverter-commercial power supply switch-over frequency	0 to 60.0Hz	The motor is started and run by the inverter up to the set frequency, and when the output frequency reaches or exceeds the set frequency, inverter operation is automatically switched to commercial power supply operation. Start and stop are controlled by the inverter operation command (STF or STR).
		9999	Automatic switch-over is not done.

Note: 1. Pr. 139 functions when Pr. 135 setting is other than "0".
 2. When the motor started by the inverter reaches the automatic switch-over frequency, inverter operation is switched to commercial power supply operation. If the inverter's run command value is then lowered to or below the switch-over frequency, commercial power supply operation is not automatically switched to inverter operation.
 Switch off the inverter operation command signal (STF or STR) to switch commercial power supply operation to inverter operation and decelerate the motor to a stop.

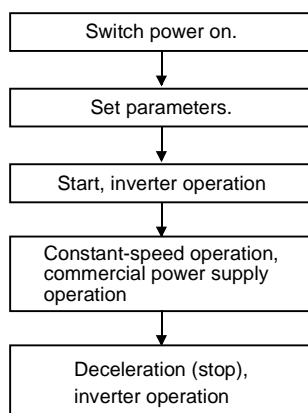
<Operation sequence>



(3) Operation procedure

1) Operation procedure for running

Operation pattern



- Pr. 135 = "1" (inverter's open collector output terminals)
- Pr. 136 = "2.0 s"
- Pr. 137 = "1.0 s" (Set the value equal to or longer than the time from when MC3 switches on actually until the inverter and motor are connected. If it is shorter, restart may not function properly.)
- Pr. 57 = "0.5 s"
- Pr. 58 = "0.5 s" (Always set this parameter when commercial power supply operation is switched to inverter operation.)

2) Signal on-off after parameter setting

	MRS	CS	STF	MC1	MC2	MC3	Remarks
Power on	OFF (OFF)	OFF (OFF)	OFF (OFF)	OFF→ON (OFF→ON)	OFF (OFF)	OFF→ON (OFF→ON)	External operation mode (PU operation mode)
At start (Inverter)	OFF→ON	OFF→ON	OFF→ON	ON	OFF	ON	
Constant speed (Commercial power supply)	ON	ON→OFF	ON	ON	OFF→ON	ON→OFF	After MC3 switches off, MC2 switches on. (Motor coasts during this period.) Waiting time 2s.
Switched to inverter operation for deceleration (Inverter)	ON	OFF→ON	ON	ON	ON→OFF	OFF→ON	After MC2 switches off, MC3 switches on. (Motor coasts during this period.) Waiting time 4s.
Stop	ON	ON	ON→OFF	ON	OFF	ON	

- Note:
1. This function is only activated when R1 and S1 are connected to a different power supply (power supply which is not connected to MC1).
 2. This function is only valid in the external operation or PU (speed command) and external (run command) operation mode when the Pr. 135 value is other than "0". When the Pr. 135 value is other than "0" in the operation mode other than the above, MC1 and MC3 switch on.
 3. MC3 is on when the MRS and CS signals are on and STR is off, but when the motor run by the commercial power supply was coasted to a stop at the last time, it restarts after the time set in Pr. 137 has elapsed.
 4. Inverter operation is enabled when the MRS, STF and CS signals switch on. In other cases (MRS is on), commercial power supply operation is performed.
 5. When the CS signal is switched off, the motor is switched over to commercial power supply operation. Note that when the STF (STR) signal is switched off, the motor is decelerated to a stop by the inverter.
 6. When both MC2 and MC3 are off and MC2 or MC3 is then switched on, the motor restarts after the waiting time set in Pr. 136 has elapsed.
 7. If the Pr. 135 setting is other than 0, the Pr. 136 and Pr. 137 settings are ignored in the PU operation mode.
Also, the inverter's input terminals (STF, CS, MRS, OH) return to their ordinary functions.
 8. When the commercial power supply-inverter switch-over sequence is selected, the PU operation interlock function (Pr. 79 = 7) is not activated if it has been set.
 9. When the terminal functions are changed using Pr. 180 to Pr. 186 and/or Pr. 190 to Pr. 195, the other functions may be affected. Confirm the functions of the corresponding terminals before making settings.

Pr. 140 to Pr. 143 → Refer to Pr. 29.

Pr. 144 → Refer to Pr. 37.

Pr. 148, Pr. 149 → Refer to Pr. 22.

4.2.42 Zero current detection (Pr. 152, Pr. 153)

Pr. 152 "zero current detection level"

Pr. 153 "zero current detection period"

Related parameters
Pr. 190 to Pr. 195
(output terminal function selection)

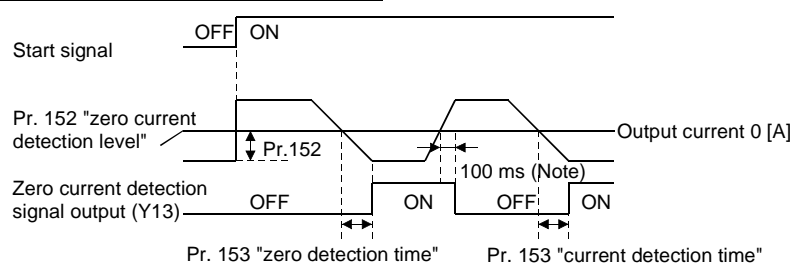
When the inverter's output current falls to "0", torque will not be generated. This may cause a drop due to gravity when the inverter is used in vertical lift application.

To prevent this, the output current "zero" signal can be output from the inverter to close the mechanical brake when the output current has fallen to "zero".

- If the output current remains lower than the Pr. 152 setting during inverter operation for longer than the time set in Pr. 153, the zero current detection (Y13) signal is output from the inverter's open collector output terminal.

(Use any of Pr. 190 to Pr. 195 to assign the terminal used for Y13 signal output.)

Parameter Number	Factory Setting	Setting Range
152	5.0%	0 to 200.0%
153	0.5 s	0 to 1 s



<Setting>

Refer to the following list and set the parameters:

Parameter Number	Description
152	Set the zero current detection level. Set this parameter to define the percentage of the rated current at which the zero current will be detected.
153	Set the zero current detection period. Set this parameter to define the period from when the output current drops below the Pr. 152 value until the zero current detection signal (Y13) is output.

- Note: 1. If the current falls below the preset detection level but the timing condition is not satisfied, the zero current detection signal is held on for about 100ms.
2. Changing the terminal function using any of Pr. 190 to Pr. 195 may affect the other functions. Confirm the functions of the corresponding terminals before making settings.

⚠ CAUTION

- ⚠ The zero current detection level setting should not be too high, and the zero current detection time setting not too long. Otherwise, the detection signal may not be output when torque is not generated at a low output current.
- ⚠ To prevent the machine and equipment from resulting in hazardous conditions by use of the zero current detection signal, install a safety backup such as an emergency brake.

Pr. 154 → Refer to Pr. 22.

4.2.43 RT signal activated condition selection (Pr. 155)

Pr. 155 "RT signal activated condition"

Related parameters

Pr. 14 "load pattern selection"
 Pr. 44 to Pr. 49
 (second function selection)
 Pr. 180 to Pr. 186
 (input terminal function selection)

- Set the condition of activating the RT terminal to select the second control functions by switching on-off the RT signal.

Parameter Number	Factory Setting	Setting Range
155	0	0, 10

<Setting>

Refer to the following table and set the parameter:

Pr. 155 Setting	Description
0	Made valid immediately by switching the RT signal on-off.
10	Made valid only when the RT signal is on at constant speed. (Invalid during acceleration/deceleration)

4.2.44 Stall prevention function and current limit function (Pr. 156)

Pr. 156 "stall prevention operation selection"

Related parameters

Pr. 22 "stall prevention operation level"
 Pr. 23 "stall prevention operation level compensation factor at double speed"
 Pr. 48 "second stall prevention operation current"
 Pr. 49 "second stall prevention operation frequency"
 Pr. 154 "voltage reduction selection during stall prevention operation"
 Pr. 157 "OL signal output waiting time"

You can make setting to disable stall prevention caused by overcurrent, and setting to disable the high-response current limit which limits the current to prevent the inverter from resulting in an overcurrent trip if an excessive current occurs due to sudden load variation or ON-OFF, etc. on the output side of the running inverter. Set the OL signal output delay with Pr.157.

● Stall prevention

If the current exceeds the limit value, the output frequency of the inverter is automatically varied to reduce the current.

● High-response Current limit

If the current exceeds the limit value, the output of the inverter is shut off to prevent an overcurrent.

Parameter Number	Factory Setting	Setting Range
156	0	0 to 31, 100, 101

<Setting>

Refer to the following table and set the parameter as required:

Pr. 156 Setting	Fast-Response Current Limit ○...Activated ●...Not activated	Stall Prevention Operation Selection ○...Activated ●...Not activated			OL Signal Output ○...Operation continued ●...Operation not continued (Note 1)
		Acceleration	Constant speed	Deceleration	
0	○	○	○	○	○
1	●	○	○	○	○
2	○	●	○	○	○
3	●	●	○	○	○
4	○	○	●	○	○
5	●	○	●	○	○
6	○	●	●	○	○
7	●	●	●	○	○
8	○	○	○	●	○
9	●	○	○	●	○
10	○	●	○	●	○
11	●	●	○	●	○
12	○	○	●	●	○
13	●	○	●	●	○
14	○	●	●	●	○
15	●	●	●	●	○
16	○	○	○	○	●
17	●	○	○	○	●
18	○	●	○	○	●
19	●	●	○	○	●
20	○	○	●	○	●
21	●	○	●	○	●
22	○	●	●	○	●
23	●	●	●	○	●
24	○	○	○	●	●
25	●	○	○	●	●
26	○	●	○	●	●
27	●	●	○	●	●
28	○	○	●	●	●
29	●	○	●	●	●
30	○	●	●	●	●
31	●	●	●	●	●
100	Driving	○	○	○	○
	Regenerative	●	●	●	○
101 (Note 4)	Driving	●	○	○	○
	Regenerative	●	●	●	○

- Note 1: When "Operation not continued for OL signal output" is selected, the "E.OLT" alarm code (stopped by stall prevention) is displayed and operation stopped.
(Alarm stop display "E.OLT")
- 2: If the load is heavy, the lift is predetermined, or the acceleration/deceleration time is short, the stall prevention may be activated and the motor not stopped in the preset acceleration/deceleration time. Therefore, set optimum values to the Pr. 156 stall prevention operation level.
(When the output voltage reduces during stall prevention operation, an overcurrent trip will be less liable to occur but the torque decreases. Set "0" in Pr. 154 when the torque may be reduced.)
- 3: In vertical lift applications, make setting so the fast-response current limit is not activated. Torque may not be produced, causing a gravity drop.
- 4: At the setting of "101", the fast-response current limit can be disabled in the driving mode as compared to the setting of "100".

! CAUTION

! Always perform test operation.

Stall prevention operation performed during acceleration may increase the acceleration time.

Stall prevention operation performed during constant speed may cause sudden speed changes.

Stall prevention operation performed during deceleration may increase the deceleration time, increasing the deceleration distance.

4.2.45 OL signal output timer (Pr. 157)

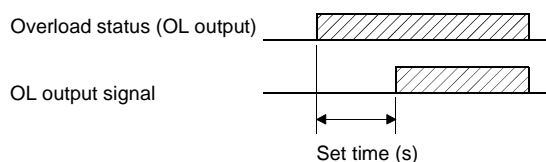
Pr. 157 "OL signal waiting time"

Related parameters

Pr. 190 to Pr. 195
(output terminal function selection)

Use this parameter to set whether the overload alarm signal (OL signal) is output immediately or a preset period of time after occurrence of an overload status.

Parameter Number	Factory Setting	Setting Range	Remarks
157	0	0 to 25 s, 9999	9999: No signal output



<Setting>

Refer to the following table and set the parameter:

Pr. 157 Setting	Description
0	Output immediately.
0.1 to 25	Output after the set time (s) has elapsed.
9999	Overload alarm signal is not output.

Pr. 158 → Refer to Pr. 54.

4.2.46 User group selection (Pr. 160, Pr. 173 to Pr. 176)

Pr. 160 "user group read selection"

Pr. 173 "user group 1 registration"

Pr. 174 "user group 1 deletion"

Pr. 175 "user group 2 registration"

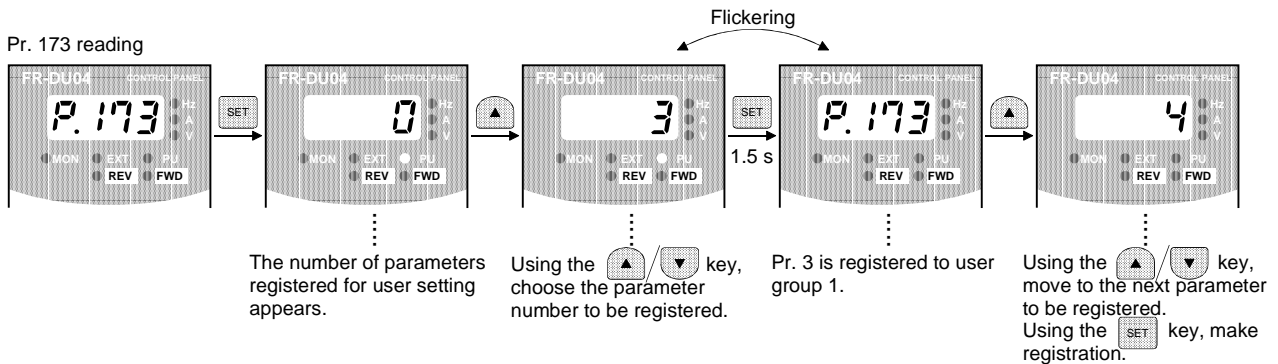
Pr. 176 "user group 2 deletion"

- Pr. 160 "user group read selection" is used to limit the parameters which may be read.
- From among all parameters, a total of 32 parameters can be registered to two different user groups. The registered parameters may only be accessed for reading and writing. Parameters other than those registered to the user groups cannot be read.

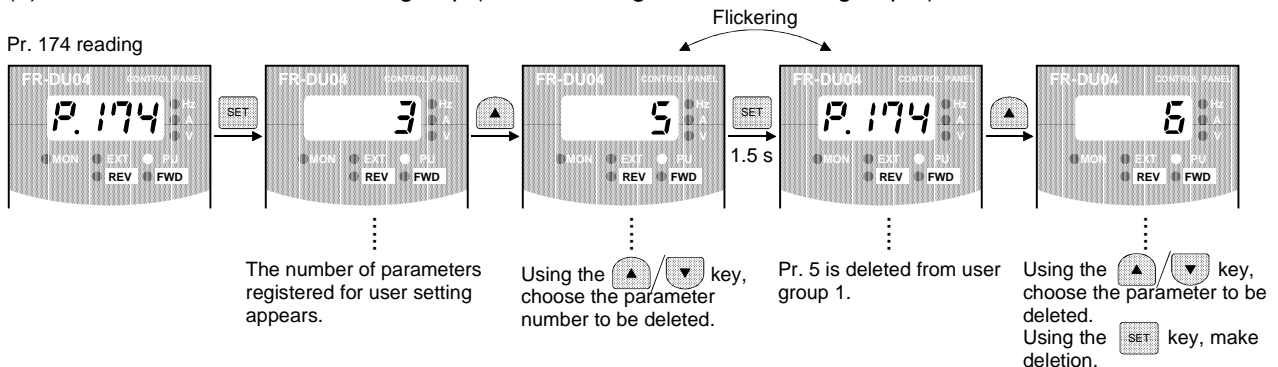
Parameter Number	Factory Setting	Setting Range	Remarks
160	9999	0, 1, 10, 11, 9999	
173	0	0 to 999	
174	0	0 to 999, 9999	9999: Batch deletion
175	0	0 to 999	
176	0	0 to 999, 9999	9999: Batch deletion

<Examples of use>

(1) Parameter registration to user group (when registering Pr. 3 to user group 1)



(2) Parameter deletion from user group (when deleting Pr. 5 from user group 1)



(3) By setting the required value in Pr. 160, make the user groups valid or invalid.

Pr. 160 Setting	Description
0	All parameters can be accessed for reading and writing.
1	Parameters registered to user group 1 may only be accessed for reading and writing.
10	Parameters registered to user group 2 may only be accessed for reading and writing.
11	Parameters registered to user groups 1 and 2 may only be accessed for reading and writing.
9999	Simple mode parameters may only be accessed for reading and writing. For more information, refer to page 54.

- Note:
1. Pr. 77, Pr. 160 and Pr. 991 values can always be read independently of the user group setting.
 2. When Pr. 173 or Pr. 174 is read, the number of parameters registered to user group 1 appears. When Pr. 175 or Pr. 176 is read, the number of parameters registered to user group 2 appears.
 3. "0" set in the second digit of the 2-digit Pr. 160 setting is not displayed. However, it is displayed when "0" is set in the first digit only.
 4. When "9999" is set in Pr. 174 or Pr. 176, the parameters registered to the corresponding user group is batch-deleted.

Pr. 162 to Pr. 165 → Refer to Pr. 57.

4.2.47 Watt-hour meter clear/actual operation hour meter clear (Pr. 170, Pr. 171)

Pr. 170 "watt-hour meter clear"

Pr. 171 "actual operation hour meter clear"

Related parameter
Pr. 52 "DU/PU main display data selection"

You can clear the watt-hour value and actual operation hour monitoring function.

Parameter Number	Factory Setting	Setting Range
170	0	0
171	0	0

<Setting>

Write "0" in the parameters to clear the watt-hour value and actual operation hour.

REMARKS

The watt-hour value is monitored at the Pr. 52 setting of "25", and the actual operation hour at the Pr. 52 setting of "23".

Pr. 173 to Pr. 176 → Refer to Pr. 160.

4.2.48 Input terminal function selection (Pr. 180 to Pr. 186)

Pr. 180 "RL terminal function selection"

Pr. 181 "RM terminal function selection"

Pr. 182 "RH terminal function selection"

Pr. 183 "RT terminal function selection"

Pr. 184 "AU terminal function selection"

Pr. 185 "JOG terminal function selection"

Pr. 186 "CS terminal function selection"

Use these parameters to select/change the input terminal functions.

Parameter Number	Terminal Symbol	Factory Setting	Factory-Set Terminal Function	Setting Range
180	RL	0	Low-speed operation command (RL)	0 to 7, 10 to 14, 16, 17, 9999 (24 may also be set for the NA and EC versions only.)
181	RM	1	Middle-speed operation command (RM)	
182	RH	2	High-speed operation command (RH)	
183	RT	3	Second function selection (RT)	
184	AU	4	Current input selection (AU)	
185	JOG	5	Jog operation selection (JOG)	
186	CS	6	Automatic restart after instantaneous power failure selection (CS)	

<Setting>

Refer to the following list and set the parameters:

Setting	Signal Name	Functions		Relevant Parameters
0	RL	Pr. 59 = 0	Low-speed operation command	Pr. 4 to Pr. 6 Pr. 24 to Pr. 27 Pr. 232 to Pr. 239
		Pr. 59 = 1, 2*	Remote setting (setting clear)	Pr. 59
1	RM	Pr. 59 = 0	Middle-speed operation command	Pr. 4 to Pr. 6, Pr. 24 to Pr. 27, Pr. 232 to Pr. 239
		Pr. 59 = 1, 2*	Remote setting (deceleration)	Pr. 59
2	RH	Pr. 59 = 0	High-speed operation command	Pr. 4 to Pr. 6, Pr. 24 to Pr. 27, Pr. 232 to Pr. 239
		Pr. 59 = 1, 2*	Remote setting (acceleration)	Pr. 59
3	RT	Second function selection		Pr. 44 to Pr. 50
4	AU	Current input selection		Refer to page 10
5	JOG	Jog operation selection		Pr. 15, Pr. 16
6	CS	Automatic restart after instantaneous power failure selection		Pr. 57, Pr. 58, Pr. 162 to Pr. 165
7	OH	External thermal relay input** The externally provided overheat protection thermal relay, motor-embedded temperature relay, etc is operated to stop the inverter.		Refer to page 166
10	X10	FR-HC, FR-CV connection (inverter operation enable)		Pr. 30
11	X11	FR-HC connection (instantaneous power failure detection) (Only when FR-A5NR option is fitted)		Pr. 30
12	X12	PU operation external interlock		Pr. 79
13	X13	External DC injection brak start		Pr. 10 to Pr. 12
14	X14	PID control valid terminal		Pr. 128 to Pr. 134
16	X16	PU-external operation switch-over		Pr. 79
24	X24	PID forward-reverse action switching function (NA, EC versions only)		Pr. 500 to Pr. 516
9999		No function		

*: When Pr. 59 = "1" or "2", the functions of the RL, RM, RH and RT signals change as listed above.

** : Operated when the relay contact "opens".

- Note:
- One function can be assigned to two or more terminals. In this case, the terminal inputs are OR'ed.
 - The speed command priorities are higher in order of jog, multi-speed setting (RH, RM, RL) and AU.
 - When the X10 signal (inverter operation enable signal for FR-HC, FR-CV connection) is not set, the MRS terminal shares this function.
 - Use common terminals to assign the multi-speeds (7 speeds) and remote setting. They cannot be set individually.
(Common terminals are used since these functions are designed for speed setting and need not be set at the same time.)
 - When "7" is set in Pr. 79 and the PU operation external interlock (X12) signal is not assigned, the MRS signal acts as this function.

4.2.49 Output terminal function selection (Pr. 190 to Pr. 195)

Pr. 190 "RUN terminal function selection"

Pr. 191 "SU terminal function selection"

Pr. 192 "IPF terminal function selection"

Pr. 193 "OL terminal function selection"

Pr. 194 "FU terminal function selection"

Pr. 195 "A, B, C terminal function selection"

You can change the functions of the open collector and contact output terminals.

Parameter Number	Terminal Symbol	Factory Setting	Factory-Set Terminal Function	Setting Range
190	RUN	0	Inverter running	0 to 5, 8, 10, 11, 13 to 19, 25, 26, 98 to 105, 108, 110, 111, 113 to 116, 125, 126, 198, 199, 9999 (40 to 48 Note)
191	SU	1	Up to frequency	
192	IPF	2	Instantaneous power failure/undervoltage	
193	OL	3	Overload alarm	
194	FU	4	Output frequency detection	
195	A, B, C	99	Alarm output	

Note: Setting may be made for the NA and EC versions only.

<Setting>



Refer to the following table and set the parameters:

Setting		Signal Name	Function	Operation	Related parameter
Positive logic	Negative logic				
0	100	RUN	Inverter running	Output during operation when the inverter output frequency rises to or above the starting frequency.	—
1	101	SU	Up to frequency	Refer to Pr. 41 "up-to-frequency sensitivity". (Note 1)	Pr. 41
2	102	IPF	Instantaneous power failure or undervoltage	Output when an instantaneous power failure or undervoltage occurs.	—
3	103	OL	Overload alarm	Output while stall prevention function is activated.	Pr. 22, Pr. 23, Pr. 66, Pr. 148, Pr. 149, Pr. 154
4	104	FU	Output frequency detection	Refer to Pr. 42, Pr. 43 (output frequency detection).	Pr. 42, Pr. 43
5	105	FU2	Second output frequency detection	Refer to Pr. 50 (second output frequency detection).	Pr. 50
8	108	THP	Electronic overcurrent protection pre-alarm	Output when the cumulative electronic overcurrent protection value reaches 85% of the preset level.	Pr. 9
10	110	PU	PU operation mode	Output when the PU operation mode is selected.	—
11	111	RY	Inverter operation ready	Output when the inverter can be started by switching the start signal on or while it is running.	—
13	113	Y13	Zero current detection	Refer to Pr. 152 and Pr. 153 (zero current detection).	Pr. 152, Pr. 153
14	114	FDN	PID lower limit	Refer to Pr. 128 to Pr. 134 (PID control).	Pr. 128 to Pr. 134
15	115	FUP	PID upper limit		
16	116	RL	PID forward-reverse rotation output		

PARAMETERS

Setting		Signal Name	Function	Operation	Related parameter
Positive logic	Negative logic				
17	—	MC1	Commercial power supply-inverter switch-over MC1	Refer to Pr. 135 to Pr.139 (commercial power supply-inverter switch-over).	Pr. 135 to Pr. 139
18	—	MC2	Commercial power supply-inverter switch-over MC2		
19	—	MC3	Commercial power supply-inverter switch-over MC3		
25	125	FAN	Fan fault output	Output only when a fan fault occurs.	Pr. 244
26	126	FIN	Fin overheat pre-alarm	Output when the heatsink temperature reaches about 85% of the fin overheat protection temperature.	—
40	—	SLEEP	Output at stop	Refer to Pr. 500 to Pr. 516 (advanced PID control). (Page 147) (Setting may be made for the NA and EC versions only.)	Pr. 500 to Pr. 516
41	—	R01	Commercial power supply side motor 1 connection R01		
42	—	R02	Commercial power supply side motor 2 connection R02		
43	—	R03	Commercial power supply side motor 3 connection R03		
44	—	R04	Commercial power supply side motor 4 connection R04		
45	—	RI01	Inverter side motor 1 connection RI01		
46	—	RI02	Inverter side motor 2 connection RI02		
47	—	RI03	Inverter side motor 3 connection RI03		
48	—	RI04	Inverter side motor 4 connection RI04		
98	198	LF	Minor fault output	Output when a light fault (fan fault or communication error alarm) occurs.	Pr. 121, Pr. 244
99	199	ABC	Alarm output	Output when the inverter's protective function is activated to stop the output (major fault).	—
9999	—		No function	—	—

0 to 99: Positive logic
100 to 199: Negative logic

- Note: 1. When the frequency setting is varied with the analog signal or the / key of the operation panel, note that the output of the SU (up-to-frequency) signal may alternate between ON and OFF due to that varying speed and the timing of the varying speed dependent on the acceleration/deceleration time setting.
(Such alternation will not take place when the acceleration/deceleration time setting is "0 s".)
2. The same function may be set to more than one terminal.
 3. When the function is activated, the terminal conducts with the settings of 0 to 99 and does not conduct with the settings of 100 to 199.
 4. Pr. 190 to Pr. 195 do not function if the values set are other than the above.
 5. When Pr. 76 = 1 or 3, the output signals of the SU, IPF, OL and FU output terminals conform to Pr. 76. When an inverter alarm occurs, the signal outputs are switched over to alarm code outputs.
 6. The output assignment of the RUN terminal and alarm output relay conforms to the above setting independently of Pr. 76.

4.2.50 User initial value setting (Pr. 199)

Pr. 199 "user's initial value setting"

Related parameter
Pr. 77 "parameter write disable selection"

Among the parameters, you can set user-only parameter initial values. These values may be set to 16 parameters.

By performing user clear operation from the operation panel or parameter unit, you can initialize the parameters to the user-set initial values. Note that the parameters of which initial values have not been set are initialized to the factory settings by user clear operation.

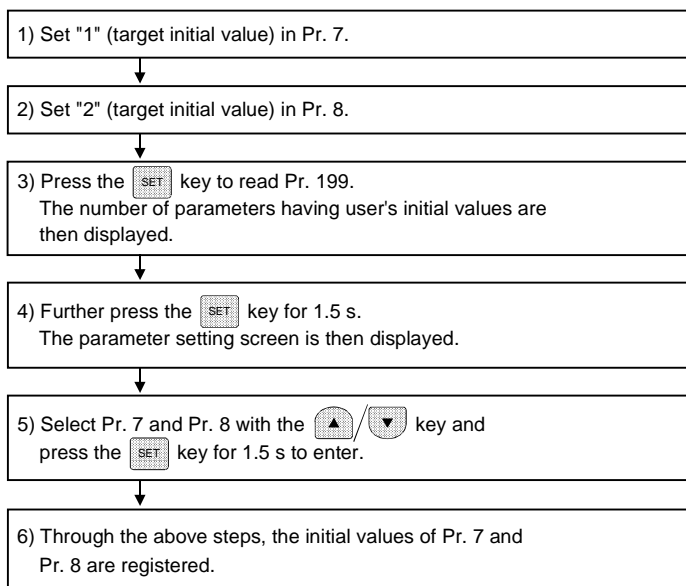
- You can read the user's initial value list in the help mode of the parameter unit (FR-PU04).

Parameter Number	Factory Setting	Setting Range
199	0	0 to 999, 9999

The read Pr. 199 value is displayed as the number of parameters registered.

<Setting example>

- (1) To set "1" in Pr. 7 and "2" in Pr. 8 as user's initial values. (Operation from the FR-DU04)



The settings of the parameters whose numbers are set in Pr. 199 (i.e. Pr. 7 = 1, Pr. 8 = 2 in the above example) are user's initial values.

- (2) Deletion of user's initial values

By writing "9999" to Pr. 199 (and pressing the SET key for 1.5 s), the user's initial values registered are batch-deleted.

- Note:
1. When user's initial values for Pr. 902 to Pr. 905 are set, one parameter uses the area of two parameters for registration.
 2. As this setting is concerned with user-cleared initial values, the parameter numbers which cannot be cleared cannot be set.
 3. The operation panel (FR-DU04) cannot be used to refer to user's initial values.

Pr. 240 → Refer to Pr. 72.

4.2.51 Cooling fan operation selection (Pr. 244)

Pr. 244 "cooling fan operation selection"

You can control the operation of the cooling fan built in the inverter (200V class...1.5K or more, 400V class...2.2K or more).

Parameter Number	Factory Setting	Setting Range
244	0	0, 1

<Setting>

Setting	Description
0	Operated at power on (independently of whether the inverter is running or at a stop).
1	Cooling fan on-off control valid (The cooling fan is always on while the inverter is running. During a stop, the inverter status is monitored and the fan switches on-off according to temperature.)

<Reference>

In either of the following cases, fan operation is regarded as faulty, [FN] is shown on the operation panel, and the fan fault (FAN) and light fault (LF) signals are output. Use Pr. 190 to Pr. 195 (Output terminal function selection) to allocate the terminals used to output the FAN and LF signals.

1) Pr. 244 = "0"

When the fan comes to a stop with power on.

2) Pr. 244 = "1"

When the fan stops during the fan ON command while the inverter is running.

Note: When the terminal functions are changed using Pr. 190 to Pr. 195, the other functions may be affected. Make setting after confirming the functions of the corresponding terminals.

4.2.52 Output phase failure protection selection (Pr. 251)

Pr. 251 "output phase failure protection selection"

You can disable the output phase failure protection (E.LF) function which will stop the inverter output if one of the three phases (U, V, W) on the output side (load side) of the inverter opens.

Parameter Number	Setting Range	Minimum Setting Increments	Factory Setting	Description
251	0, 1	1	1	0: Without output phase failure protection 1: With output phase failure protection

4.2.53 Override bias/gain (Pr. 252, Pr. 253)

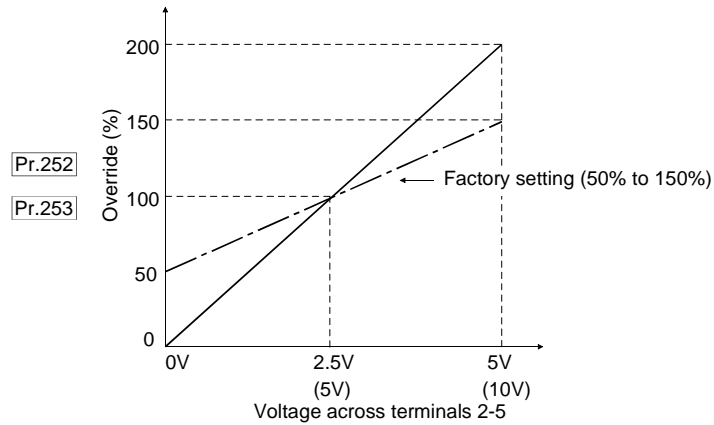
Pr. 252 "override bias"

Pr. 253 "override gain"

Related parameter
Pr. 73 "0-5V/0-10V selection"

When you have selected override in Pr. 73 "0 to 5V, 0 to 10V selection", you can increase the override range of 50%-150% (to 0%-200%) and make setting as desired.

Parameter Number	Setting Range	Minimum Setting Increments	Factory Setting
252	0 to 200%	0.1%	50%
253	0 to 200%	0.1%	150%



4.2.54 Advanced PID control (Pr. 500 to Pr. 516) (NA, EC versions only)

Pr. 500 "Auxiliary motor operation selection"

Pr. 501 "Motor switch-over selection"

Pr. 502 "MC switching interlock time"

Pr. 503 "Start waiting time"

Pr. 504 "Auxiliary motor connection-time deceleration time"

Pr. 505 "Auxiliary motor disconnection-time acceleration time"

Pr. 506 "Output stop detection time"

Pr. 507 "Output stop detection level"

Pr. 508 "Output stop cancel process value level"

Pr. 509 "Auxiliary motor 1 starting frequency"

Pr. 510 "Auxiliary motor 2 starting frequency"

Pr. 511 "Auxiliary motor 3 starting frequency"

Pr. 512 "Auxiliary motor 1 stopping frequency"

Pr. 513 "Auxiliary motor 2 stopping frequency"

Pr. 514 "Auxiliary motor 3 stopping frequency"

Pr. 515 "Auxiliary motor start delay time"

Pr. 516 "Auxiliary motor stop delay time"

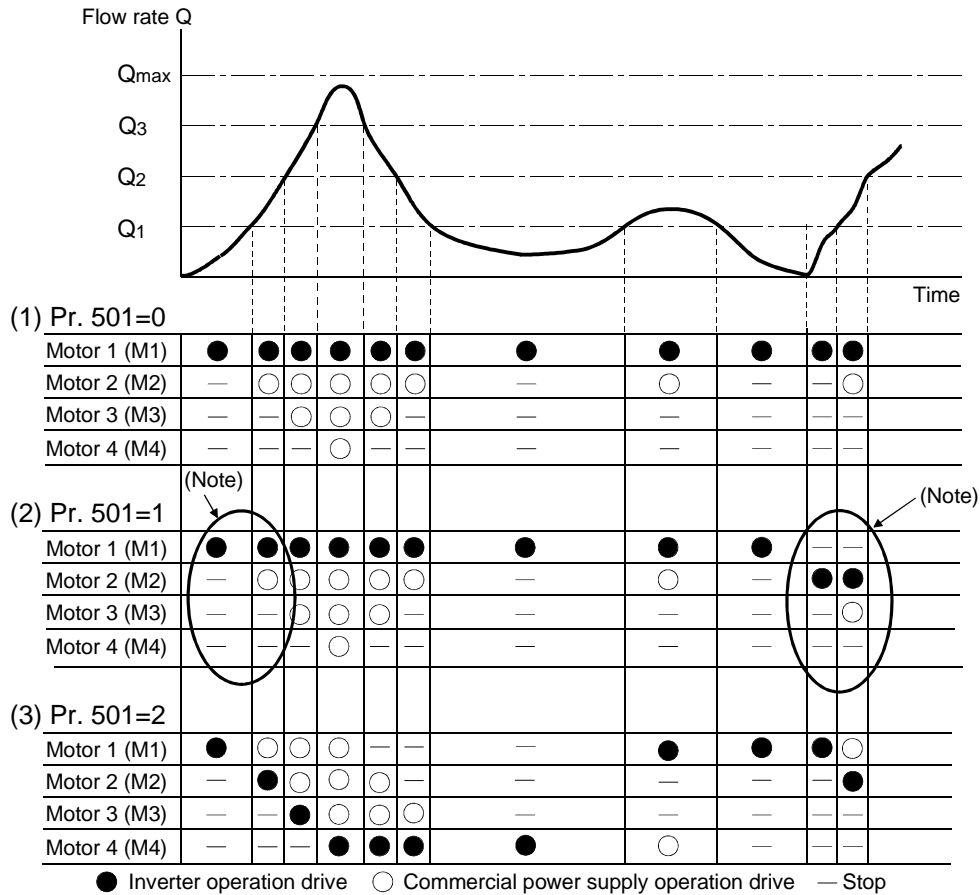
Related parameters
 Pr. 128 to Pr.134 (PID control)
 Pr. 180 to Pr. 186
 (input terminal function selection)
 Pr. 190 to Pr. 195
 (output terminal function selection)

With the advanced PID control functions, you can control pumps/fans using several motors (maximum of 4 motors).

<Operation outline>

- Set the number of commercial power supply operation motors in Pr. 500 "auxiliary motor operation selection", and the motor switch-over method in Pr. 501 "motor switch-over selection".

Pr. Number	Name	Setting Range	Setting Increments	Factory Setting	Description
500	Auxiliary motor operation selection	0 to 3	1	0	Set the number of auxiliary motors to be run. (1 to 3 motors) 0: Auxiliary motors are not run.
501	Motor switch-over selection	0 to 2	1	0	0: Basic Method 1: Alternative Method 2: Direct Method



(1) Pr. 501 "motor switch-over selection" = "0" (Basic Method)

The inverter-driven motor is always fixed, and the MCs between power supply and motors are turned on/off by the output frequency to increase/decrease the number of motors run by commercial power supply.

(2) Pr. 501 "motor switch-over selection" = "1" (Alternative Method)

During operation, as in the basic method (Pr. 501 = 0), the inverter-driven motor is fixed, and the number of motors run by commercial power supply is controlled by the output frequency. When the output is stopped by the sleep function, the MC between inverter and motor is switched over to change the inverter-driven motor.

Note: At this time, if the sequence of starting the motors was from M1 to M2 to M3 last time, it will be from M2 to M3 to M1 this time.

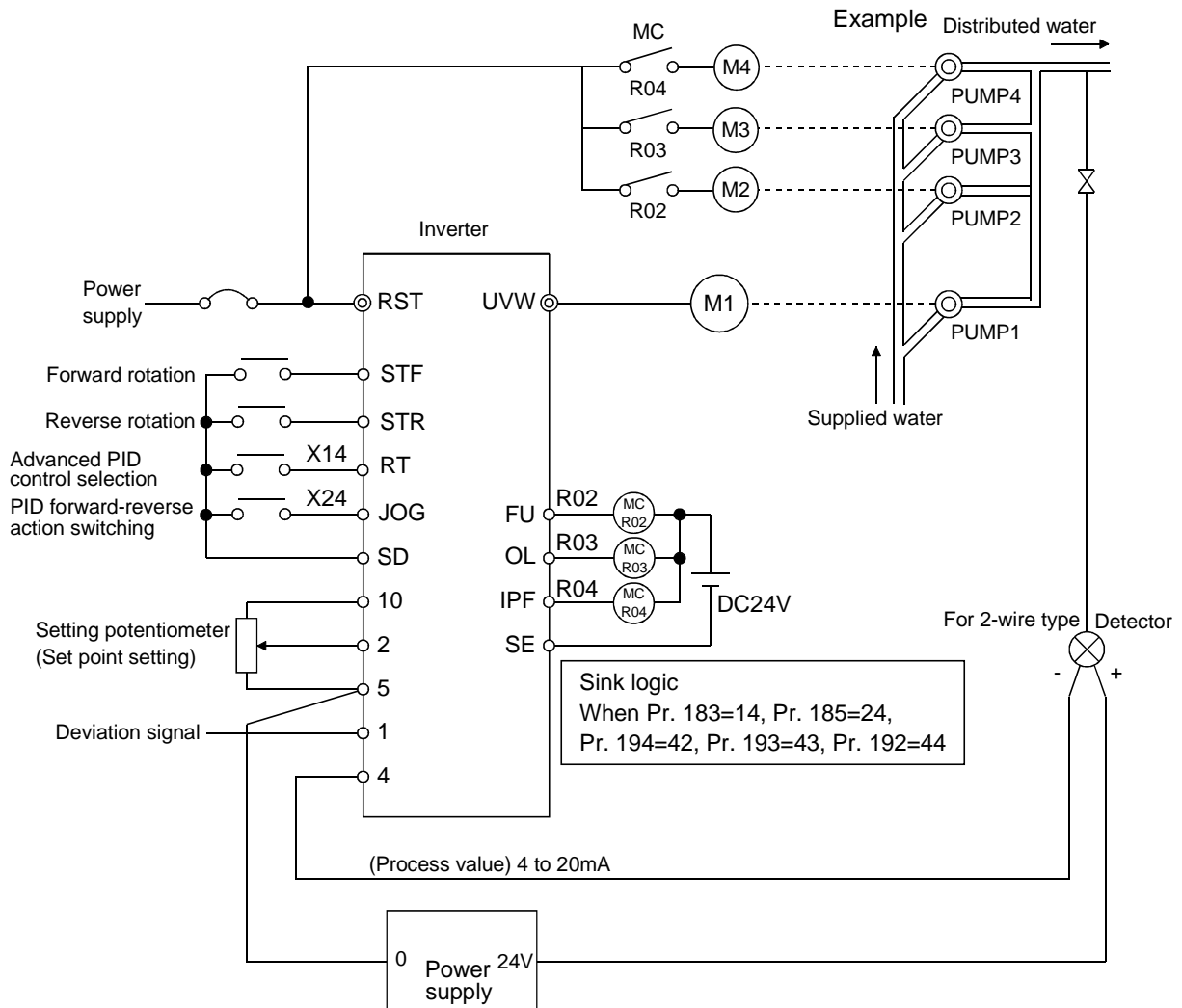
(3) Pr. 501 "motor switch-over selection" = "2" (Direct Method)

When the start signal is entered, the motor is started by the inverter. When the conditions for starting the next motor are enabled, the MCs between inverter and motor and between power supply and motor are switched over to change the inverter-driven motor to commercial power supply operation, starting the next motor by the inverter. Reversely, when the conditions for stopping the motors are enabled during running of several motors, the motors are stopped, beginning with the one started first (run by the commercial power supply).

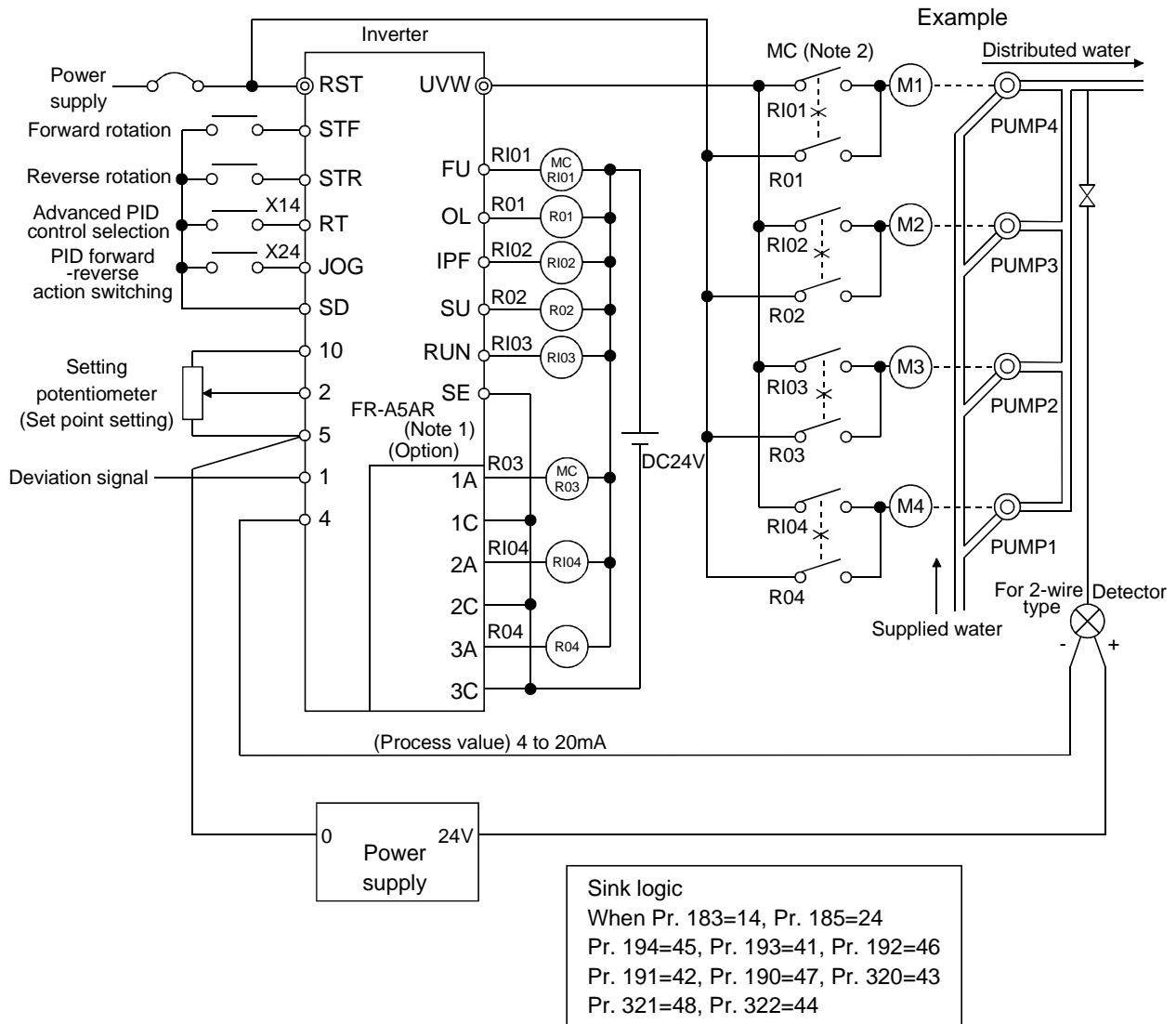
- Note:
- When the inverter is reset, the sequence of starting the motors to be driven returns to the initial status. (Pr. 501 = 1 or 2)
 - You cannot write values to Pr. 500 and Pr. 501 during operation. Also when the Pr. 500 or Pr. 501 setting is changed in a stop state, the sequence of starting the motors to be driven returns to the initial status.

<System configuration>

(1) Pr. 501 "motor switch-over selection" = 0 (Basic Method)



(2) Pr. 501 "motor switch-over selection" = 1 (Alternative Method), 2 (Direct Method)



Note: 1. When driving three or more motors, use the inboard option (FR-A5AR).
 2. Always provide mechanical interlocks for the MCs.

● Assign the advanced PID control selection signal X14 to any terminal using any of Pr. 180 to Pr. 186 (input terminal function selection).

X14 signal	ON	Advanced PID control valid
	OFF	Advanced PID control invalid

● PID control

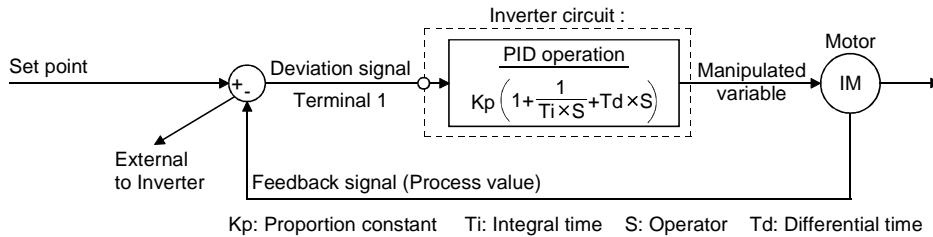
PID actions are performed as set in Pr. 128 to Pr. 134 (PID control). (Refer to page 122)

In this advanced PID control, a voltage input (0 to ±5V or 0 to ±10V) may also be used as a process value.

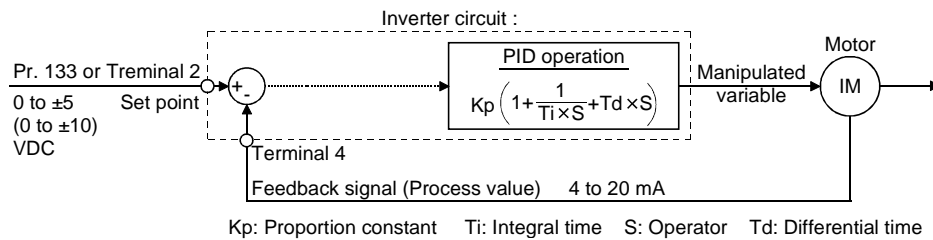
<Setting>

Advanced PID control configuration

Pr.128 = 10, 11

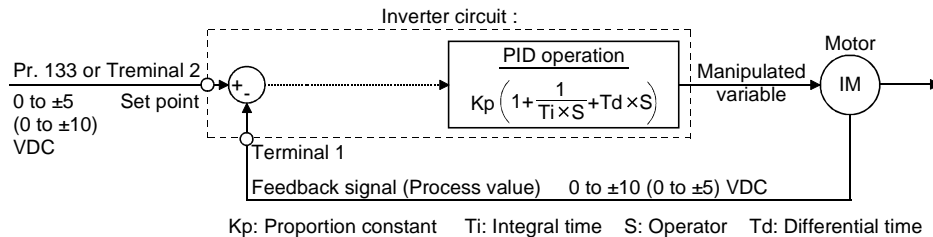


Pr.128 = 20, 21



* Input the process value of 4 to 20 mA at No.4 terminal.

Pr.128 = 30, 31



* Input the process value of 0 to ±10VDC (0 to ±5VDC) at No.1 terminal.

Parameter Number	Name	Setting	Description	
128	PID action selection	10	Refer to page 126.	
		11		
		20		
		21		
		30	Set point (terminal 2 or Pr.133), Process value input, (terminal 1)	PID reverse action
		31		PID forward action

● PID forward-reverse action switching function

Use the X24 signal to switch between the forward and reverse actions under the control of the external signal. Assign the signal X24 to any terminal using any of Pr. 180 to Pr. 186 (input terminal function selection). (Refer to page 140)

Parameter Number	Name	Setting Range	Description
180 to 186	Input terminal function selection	24	X24 signal

- At PID reverse action setting (Pr. 128 = 10, 20, 30): Turning on the X24 signal starts a forward action. A reverse action is performed when the X24 signal is off.
- At PID forward action setting (Pr. 128 = 11, 21, 31): Turning on the X24 signal starts a reverse action. A forward action is performed when the X24 signal is off.

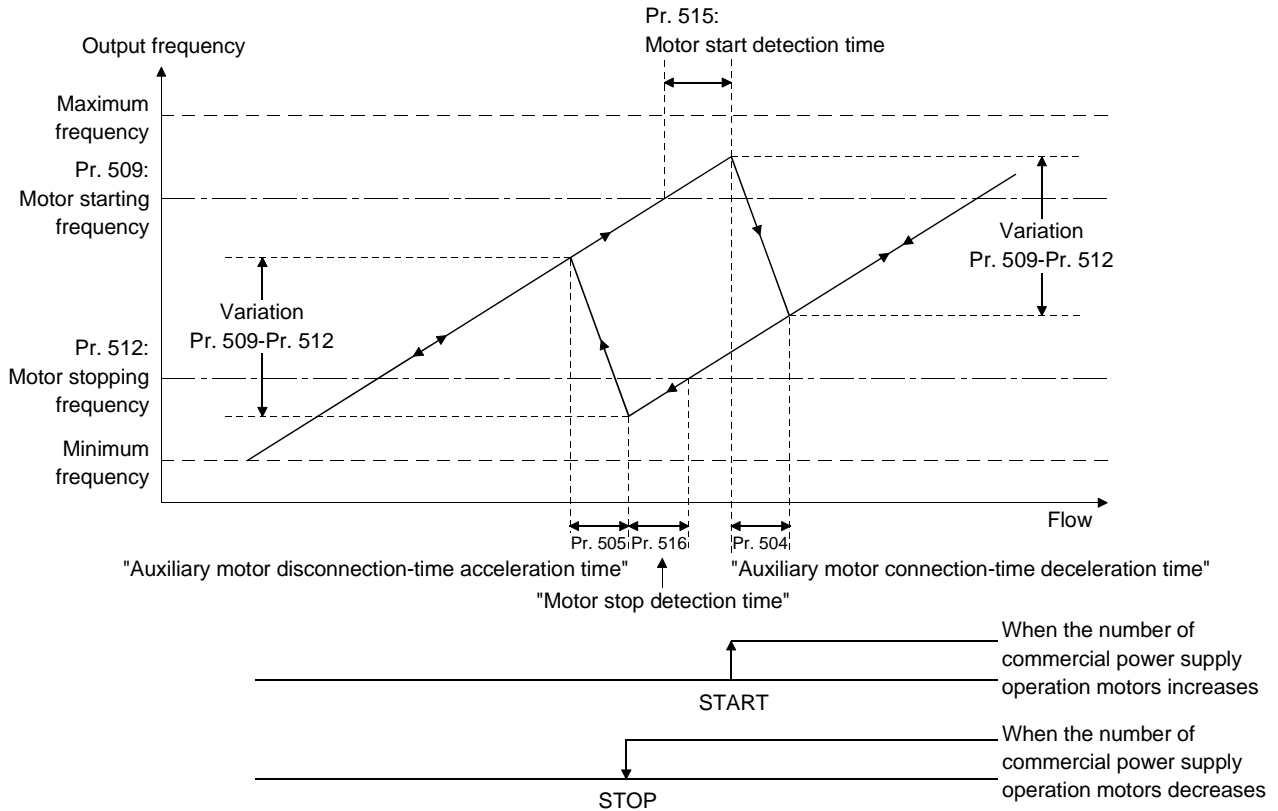
- Assign the motor control signals (SLEEP, R01 to R04, RI01 to RI04) to Pr. 190 to Pr. 195 (output terminal function selection) or assign them to Pr. 320 to Pr. 322 (RA1, RA21, RA3 output selection) using the inboard option (FR-A5AR). (The functions of the output terminals are positive logic only.) (Refer to page 142)

Parameter Number	Name
190	RUN terminal function selection
191	SU terminal function selection
192	IPF terminal function selection
193	OL terminal function selection
194	FU terminal function selection
320	RA1 output selection (valid only when the FR-A5AR is used)
321	RA2 output selection (valid only when the FR-A5AR is used)
322	RA3 output selection (valid only when the FR-A5AR is used)

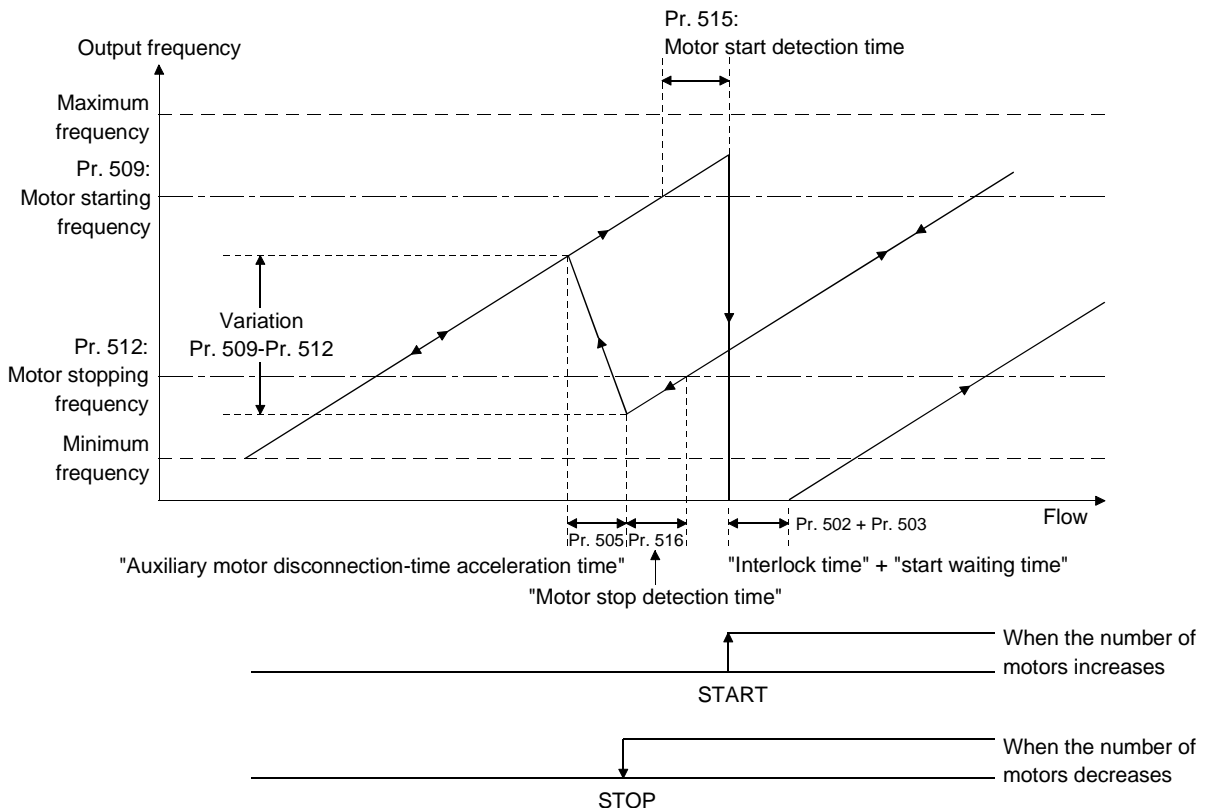
Setting Range	Description		
	Set value	Signal name	Function
40, 41, 42, 43, 44, 45, 46, 47, 48	40	SLEEP	Output at stop
	41	R01	Commercial power supply side motor 1 connection R01
	42	R02	Commercial power supply side motor 2 connection R02
	43	R03	Commercial power supply side motor 3 connection R03
	44	R04	Commercial power supply side motor 4 connection R04
	45	RI01	Inverter side motor 1 connection RI01
	46	RI02	Inverter side motor 2 connection RI02
	47	RI03	Inverter side motor 3 connection RI03
48	RI04	Inverter side motor 4 connection RI04	

<Motor switch-over timing>

- (1) Pr. 501 "motor switch-over selection" = 0 (Basic method)
- Pr. 501 "motor switch-over selection" = 1 (Alternative method)
- Switch-over timing at start and stop of auxiliary motor 1



- (2) Pr. 501 "motor switch-over selection" = 2 (Direct method)
- Switch-over timing at start and stop of auxiliary motor 1



- You can set the output frequency of the inverter-operated motor at which the commercial power supply operation motors start. When the output frequency higher than the preset value continues for longer than the time set in Pr. 515, the commercial power supply motors start. In this case, the starting sequence depends on the pattern in Pr. 501. Here, the Pr. 509 value means the set value at which the commercial power supply motors start when the number of commercial power supply motors running is 0.

Parameter Number	Name	Setting Range	Setting Increments	Factory Setting <EC version>
509	Auxiliary motor 1 starting frequency	0 to 120Hz	0.01Hz	60Hz <50Hz>
510	Auxiliary motor 2 starting frequency	0 to 120Hz	0.01Hz	60Hz <50Hz>
511	Auxiliary motor 3 starting frequency	0 to 120Hz	0.01Hz	60Hz <50Hz>

- You can set the output frequency of the inverter-operated motor at which the commercial power supply operation motors stop. When the output frequency lower than the preset value continues for longer than the time set in Pr. 516, the commercial power supply motors stop. In this case, the stopping sequence depends on the pattern in Pr. 501. Here, the Pr. 512 value means the set value at which the commercial power supply motors stop when the number of commercial power supply motors running is 1.

Parameter Number	Name	Setting Range	Setting Increments	Factory Setting
512	Auxiliary motor 1 stopping frequency	0 to 120Hz	0.01Hz	0Hz
513	Auxiliary motor 2 stopping frequency	0 to 120Hz	0.01Hz	0Hz
514	Auxiliary motor 3 stopping frequency	0 to 120Hz	0.01Hz	0Hz

- You can set the delay time until the auxiliary motor is started. The auxiliary motor starts actually when the time set in Pr. 515 elapses after the output frequency of the inverter operation motor has risen to or above the value set in any of Pr. 509 to Pr. 511.

Parameter Number	Name	Setting Range	Setting Increments	Factory Setting
515	Auxiliary motor start delay time	0 to 3600s	0.1s	5s

- You can set the delay time until the auxiliary motor is stopped. The auxiliary motor stops actually when the time set in Pr. 516 elapses after the output frequency of the inverter operation motor has dropped to or below the value set in any of Pr. 512 to Pr. 514.

Parameter Number	Name	Setting Range	Setting Increments	Factory Setting
516	Auxiliary motor stop delay time	0 to 3600s	0.1s	5s

- You can set the MC switching interlock time (e.g. time from when RI01 turns off until R01 turns on) when Pr. 501 = 2.

Parameter Number	Name	Setting Range	Setting Increments	Factory Setting
502	MC switching interlock time	0 to 100s	0.1s	1s

- You can set the time from MC switch-over to a start (time from when RI01 turns off and RI02 turns on until inverter output starts) when Pr. 501 = 2. Set this time a little longer than the MC switching time.

Parameter Number	Name	Setting Range	Setting Increments	Factory Setting
503	Start waiting time	0 to 100s	0.1s	1s

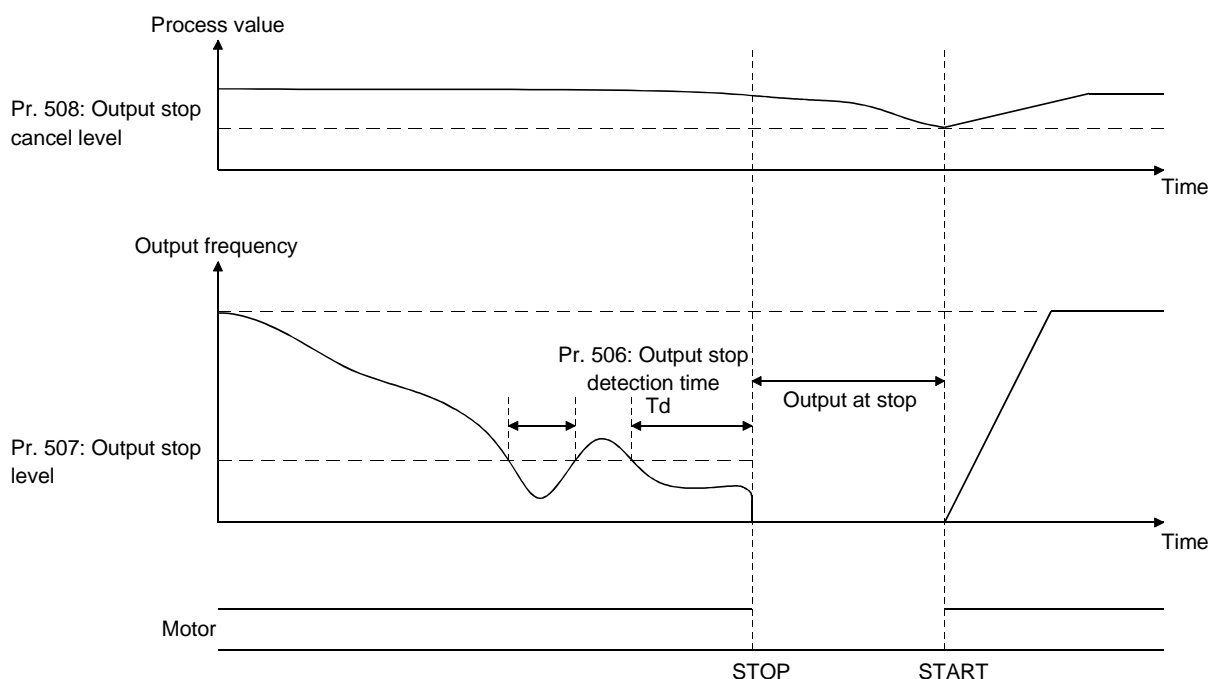
- You can set the deceleration time for decreasing the output frequency of the inverter if a motor connection occurs under advanced PID control. When the setting is 9999, the output frequency is not forcibly changed.

Parameter Number	Name	Setting Range	Setting Increments	Factory Setting
504	Auxiliary motor connection-time deceleration time	0 to 3600s	0.1s/0.01s	1s

- You can set the acceleration time for increasing the output frequency of the inverter if a motor disconnection occurs under advanced PID control. When the setting is 9999, the output frequency is not forcibly changed.

Parameter Number	Name	Setting Range	Setting Increments	Factory Setting
505	Auxiliary motor disconnection-time acceleration time	0 to 3600s, 9999	0.1s/0.01s	1s

<Output stop detection>



- The output stops if the output frequency continues to be lower than the Pr. 507 value for longer than the time set in Pr. 506.
When the setting is 9999, the output stop function is not performed.
Also, an output stop is not detected when the process value is not more than the Pr. 508 value or when the start signal is off. It is not detected during auxiliary motor operation either.

Parameter Number	Name	Setting Range	Setting Increments	Factory Setting
506	Output stop detection time	0 to 3600s, 9999	0.1s	9999

- You can set the set the output frequency value at which an output stop is detected. The output is stopped when the output frequency continues to be lower than the Pr. 507 value for longer than the time set in Pr. 506.

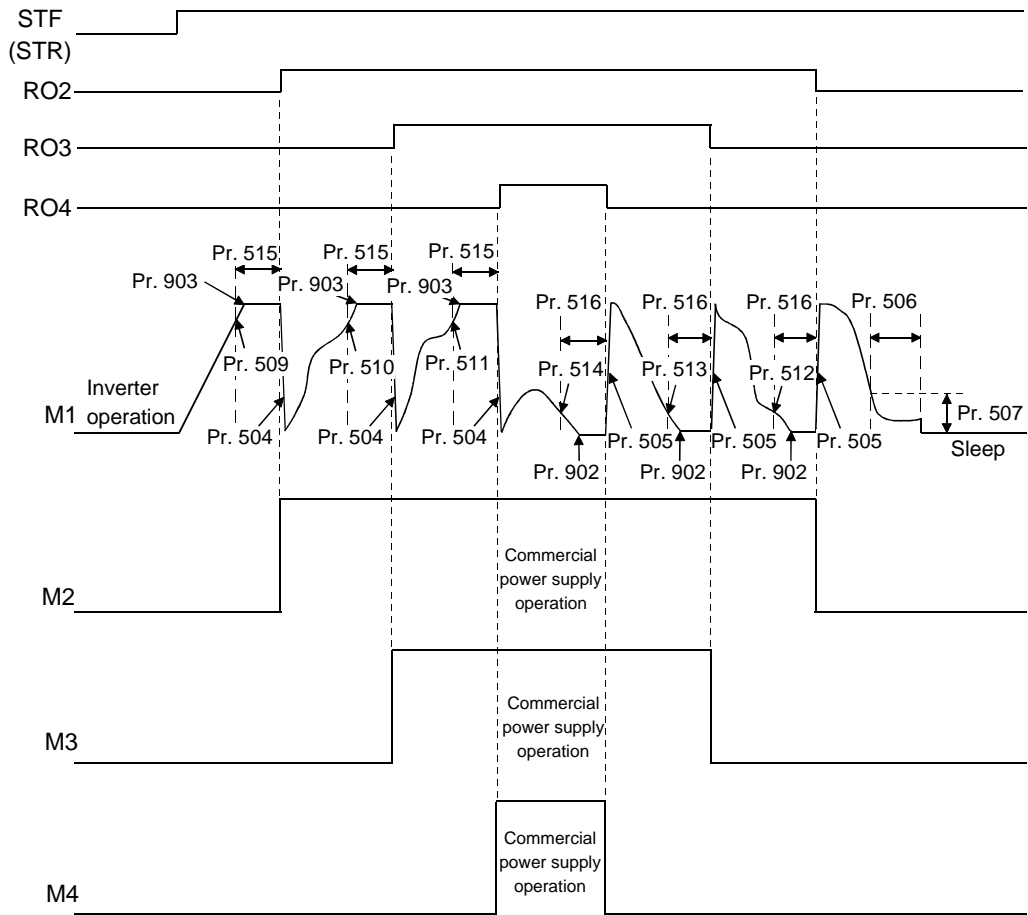
Parameter Number	Name	Setting Range	Setting Increments	Factory Setting
507	Output stop detection level	0 to 120Hz	0.01Hz	0Hz

- You can set the process value at which a restart is made after the output stop. Set the ratio of the process value to the set point.

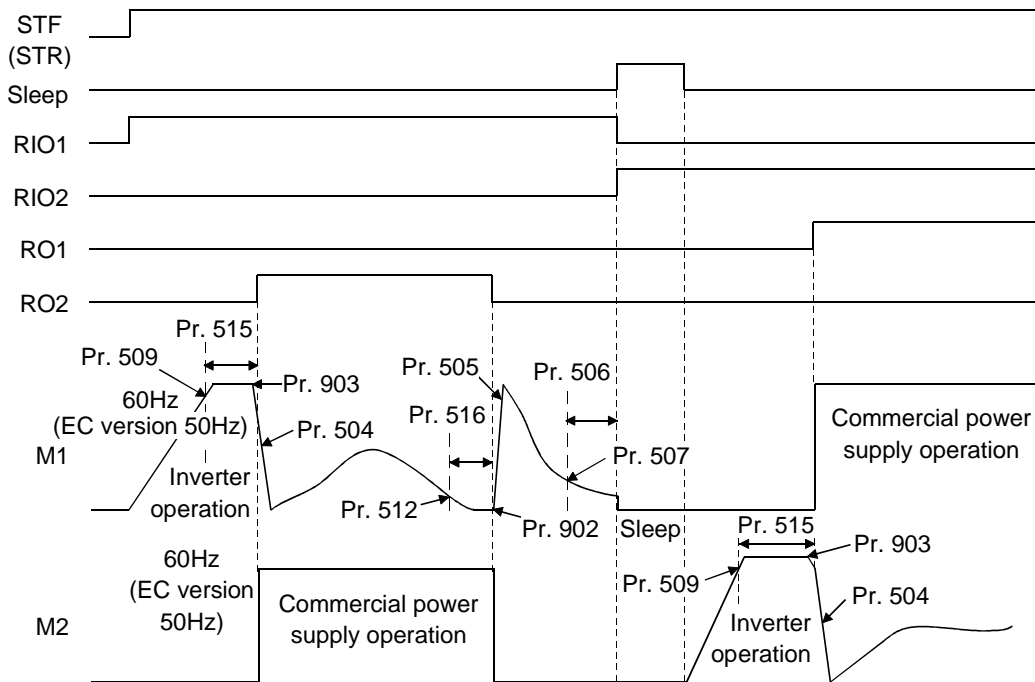
Parameter Number	Name	Setting Range	Setting Increments	Factory Setting
508	Output stop cancel process value level	0 to 100%	0.1%	100%

<Status transition chart>

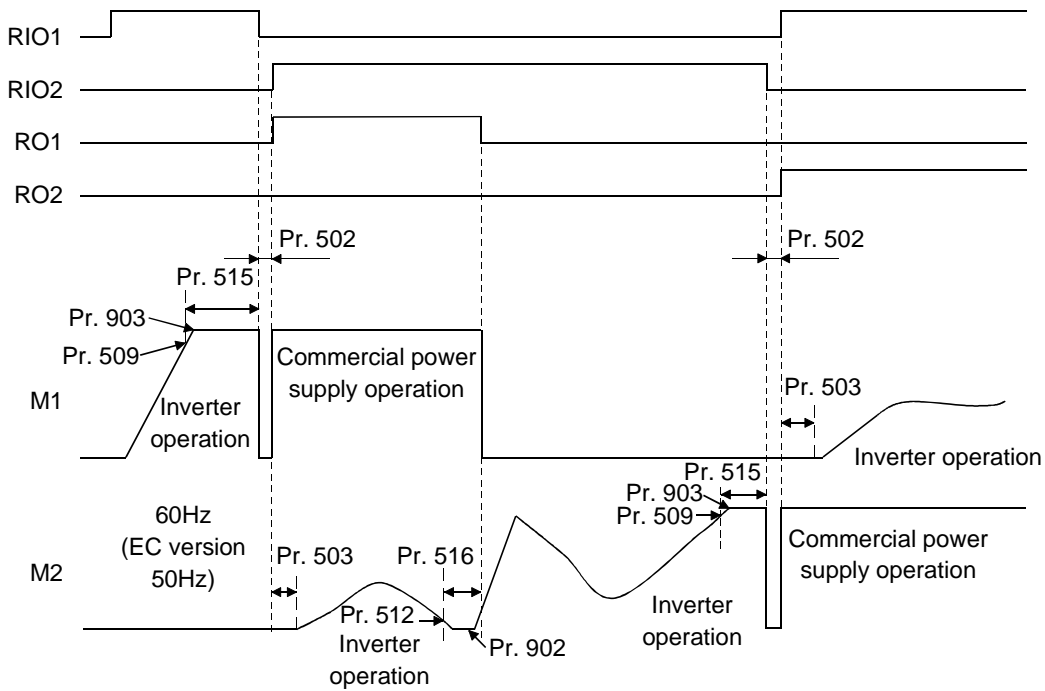
(1) Pr. 501 "motor switch-over selection" = 0 (Basic method) (For four motors)



(2) Pr. 501 "motor switch-over selection" = 1 (Alternative method) (For two motors)



(3) Pr. 501 "motor switch-over selection" = 2 (Direct method) (For two motors)



Note: 1. If the start signal is turned off during operation, the MCs (R01 to R04) turn off and the inverter decelerates.
 2. If an error occurs during operation, the MCs (R01 to R04) turn off and the inverter shuts off the output.
 3. If the MRS signal is turned on during operation, the motor driven by the inverter is shut off and the activated MC turns off after the Pr. 516 set time has elapsed.

4.2.55 Meter (frequency meter) calibration (Pr. 900, Pr. 901)

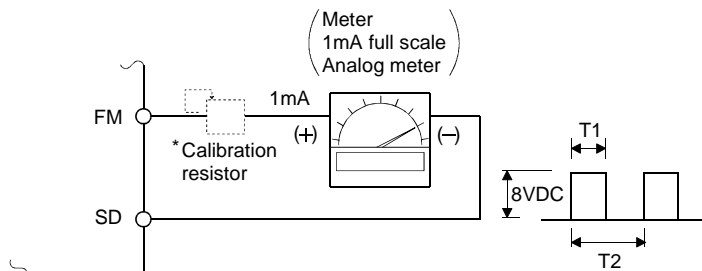
Pr. 900 "FM terminal calibration"

Pr. 901 "AM terminal calibration"

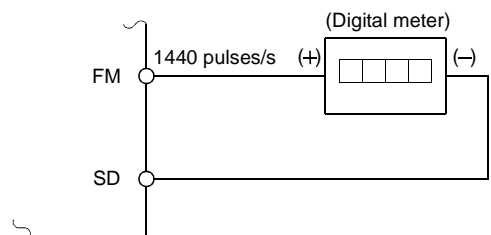
Related parameters

- Pr. 54 "FM terminal function selection"
- Pr. 55 "frequency monitoring reference"
- Pr. 56 "current monitoring reference"
- Pr. 158 "AM terminal function selection"

- By using the operation panel/parameter unit, you can calibrate a meter connected to terminal FM to full scale.
- Terminal FM provides the pulse output. By setting Pr. 900, you can calibrate the meter connected to the inverter from the parameter unit without providing a calibration resistor.
- You can display a digital value on a digital counter using the pulse train signal from terminal FM. A 1440 pulses/s output is provided at the full scale value as explained in the section of Pr. 54. When the running frequency has been selected for monitoring, the ratio of this FM terminal output frequency can be set in Pr. 55.



Pulse width T1 :Adjusted with Pr. 900
 Pulse period T2 :Set in Pr. 55 (frequency monitoring)
 Set in Pr. 56 (current monitoring)



Note: The parameter is factory-set to 1mA full-scale or 1440 pulses/s FM output frequency at 60Hz.

* Not needed when the operation panel (FR-DU04) or parameter unit (FR-PU04) is used for calibration. Used when calibration must be made near the frequency meter for such a reason as a remote frequency meter. However, the frequency meter needle may not deflect to full-scale if the calibration resistor is connected.

In this case, use this resistor and the operation panel or parameter unit together to make calibration.

- Terminal AM is factory-set to provide a 10VDC output in the full-scale state of each monitored data. Pr. 901 allows the output voltage ratio (gain) to be adjusted according to the meter reading. Note that the maximum output voltage is 10VDC.

(1) Calibration of terminal FM

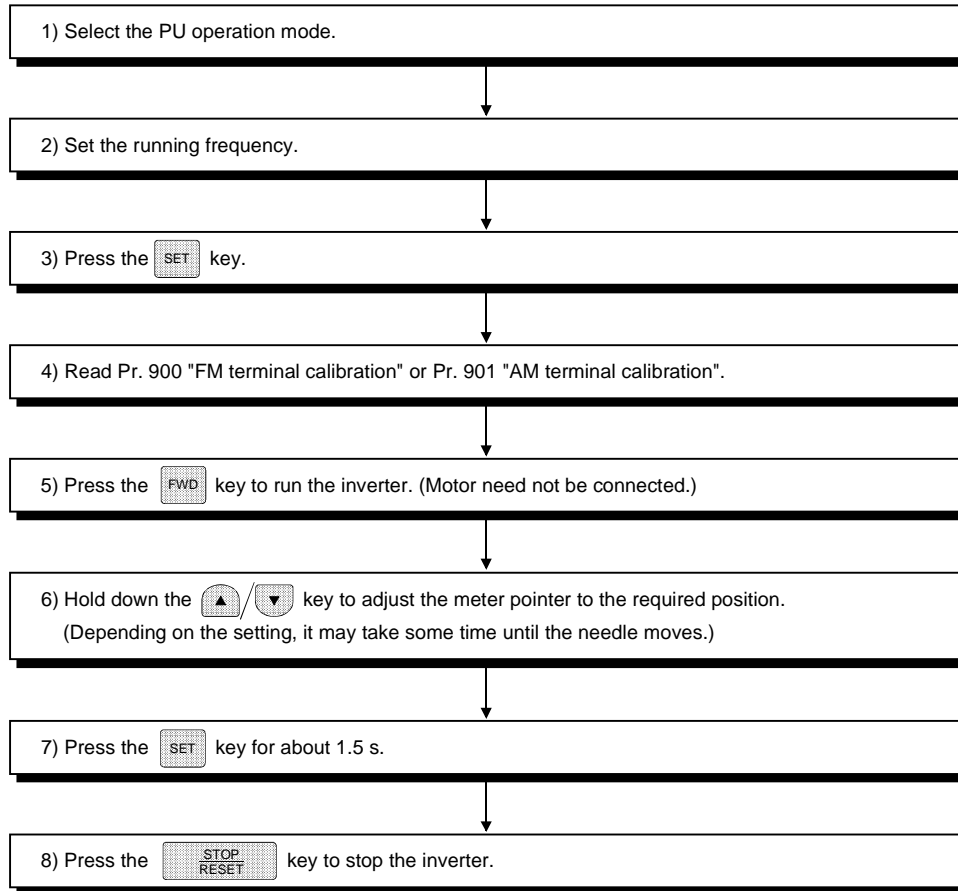
- 1) Connect a meter (frequency meter) across inverter terminals FM-SD. (Note the polarity. FM is the positive terminal.)
- 2) When a calibration resistor has already been connected, adjust the resistance to "0" or remove the resistor.
- 3) Set any of "1 to 3, 5, 6, 8, 10 to 14, 17 and 21" in Pr. 54.
 When the running frequency or inverter output current has been selected as the output signal, preset in Pr. 55 or Pr. 56 the running frequency or current at which the output signal is 1440 pulses/s.
 At this 1440 pulses/s, the meter is normally deflected to full scale.

(2) Calibration of terminal AM

- 1) Connect a 0-10VDC meter (frequency meter) across inverter terminals AM-5. (Note the polarity. AM is the positive terminal.)
- 2) Set any of "1 to 3, 5, 6, 8, 10 to 14, 17 and 21" in Pr. 158.
 When the running frequency or inverter output current has been selected as the output signal, preset in Pr. 55 or Pr. 56 the running frequency or current at which the output signal is 10V.
- 3) When outputting a signal which cannot achieve a 100% value easily by operation, e.g. output current, set "21" in Pr. 158 and perform the following operation. After that, set "2" (output current, for example) in Pr. 158.

<Operation procedure>

- When operation panel (FR-DU04) is used

**REMARKS**

Calibration can also be made for external operation. Set the frequency in the external operation mode and make calibration in accordance with steps 4) to 8).

- Note:
1. Pr. 900 is factory-set to 1mA full-scale or 1440 pulses/s FM output frequency at 60Hz. The maximum pulse train output of terminal FM is 2400 pulses/s.
 2. When a frequency meter is connected across terminals FM-SD to monitor the running frequency, the FM terminal output is filled to capacity at the factory setting if the maximum output frequency reaches or exceeds 100Hz. In this case, the Pr. 55 setting must be changed to the maximum frequency.
 3. For the operation procedure using the parameter unit (FR-PU04), refer to the FR-PU04 instruction manual.
 4. Calibration can also be made during operation.

4.2.56 Frequency setting voltage (current) bias and gain (Pr. 902 to Pr. 905)

Pr. 902 "frequency setting voltage bias"

Pr. 903 "frequency setting voltage gain"

Pr. 904 "frequency setting current bias"

Pr. 905 "frequency setting current gain"

Related parameters

Pr. 20 "acceleration/deceleration reference frequency"

Pr. 73 "0-5V/0-10V selection"

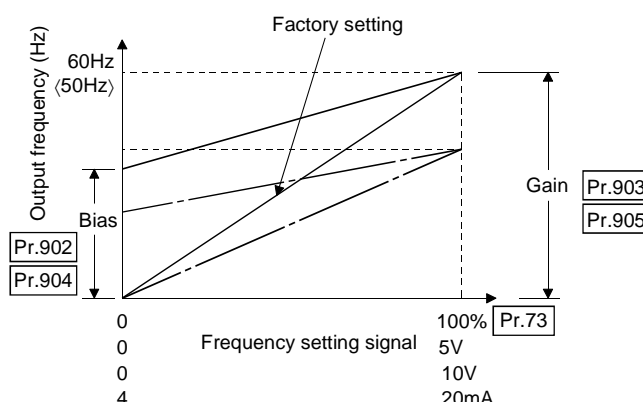
Pr. 79 "operation mode selection"

You can set the magnitude (slope) of the output frequency as desired in relation to the frequency setting signal (0 to 5V, 0 to 10V or 4 to 20mADC).

The "bias" and "gain" functions are used to adjust the relationship between the input signal entered from outside the inverter to set the output frequency, e.g. 0 to 5VDC, 0 to 10VDC or 4 to 20mADC, and the output frequency.

- Use Pr. 902 to set the bias frequency at 0V.
- Use Pr. 903 to set the output frequency relative to the frequency command voltage set in Pr. 73.
- Use Pr. 904 to set the bias frequency at 4mA.
- Use Pr. 905 to set the output frequency relative to the 20mA frequency command current (4 to 20mA).

Parameter Number	Factory Setting		Setting Range	
902	0V	0Hz	0 to 10V	0 to 60Hz
903	5V	60Hz (50Hz)	0 to 10V	1 to 120Hz
904	4mA	0Hz	0 to 20mA	0 to 60Hz
905	20mA	60Hz (50Hz)	0 to 20mA	1 to 120Hz



<Setting>

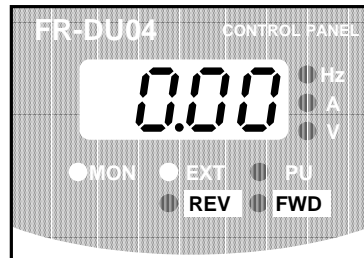
- (1) The frequency setting voltage biases and gains may be adjusted in either of the following three ways:
 - 1) Any point can be adjusted with a voltage applied across terminals 2-5.
 - 2) Any point can be adjusted with no voltage applied across terminals 2-5.
 - 3) Bias voltage is not adjusted.
- (2) The frequency setting current biases and gains may be adjusted in either of the following three ways:
 - 1) Any point can be adjusted with a current flowing at terminal 4.
 - 2) Any point can be adjusted with no current flowing at terminal 4.
 - 3) Bias current is not adjusted.

Pr. 903 "frequency setting voltage gain"

(Pr.902, Pr. 904, Pr. 905 can also be adjusted similarly.)

<Adjustment procedure> When using the frequency setting signal from the operation panel (FR-DU04) to set the frequency.

(1) Power-on (monitoring mode)



(2) Choose the PU operation mode.

1) Using the **MODE** key, make sure that the PU operation mode has been selected.

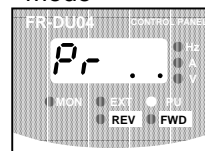
●Monitoring mode



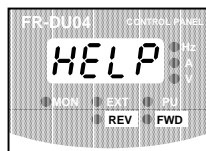
●Frequency setting mode



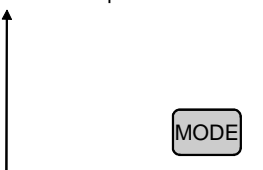
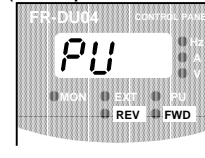
●Parameter setting mode



●Help mode



●Operation mode (PU operation mode)



Confirm that the PU operation mode

(**PU**) has been chosen.

In the JOG operation mode (**JOG**)

or external operation mode (**OPND**),

press the **▲/▼** key to display **PU**.

If **PU** cannot be displayed by pressing

the **▲/▼** key in the external operation mode

(**OPND**)

(if Pr. 79 "operation mode selection" ≠ "0"),

refer to 2) and set "1" (PU operation mode)

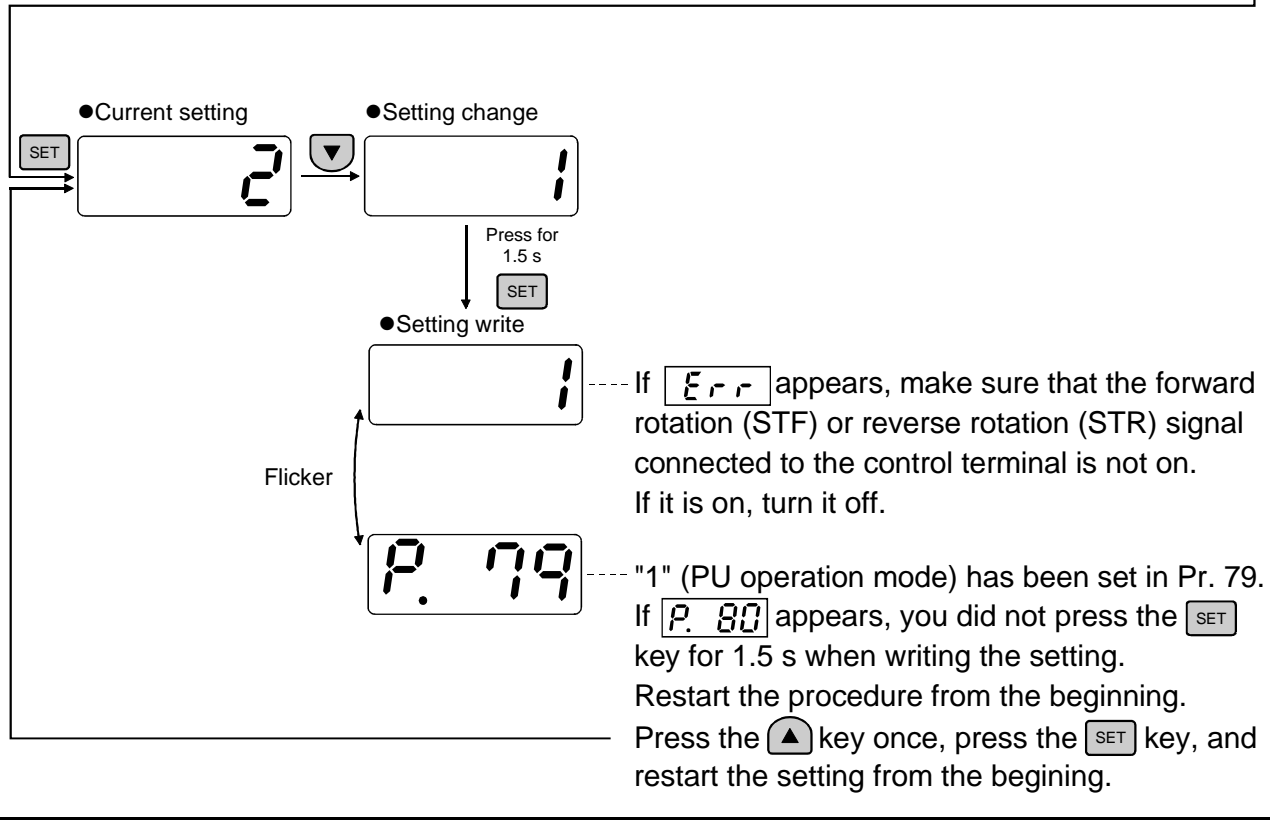
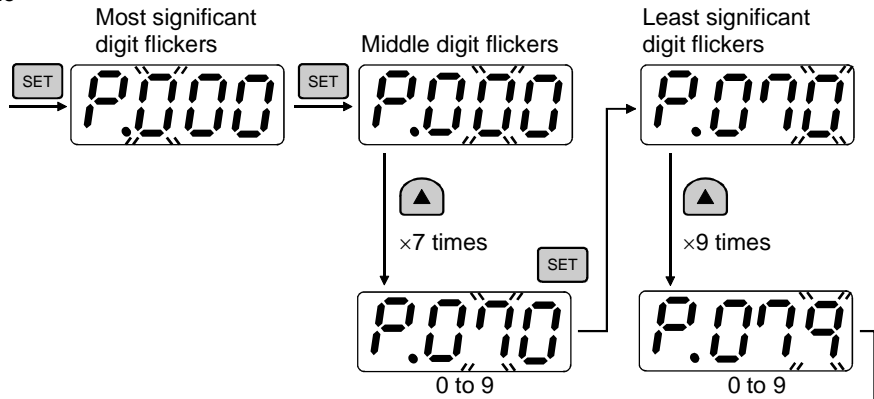
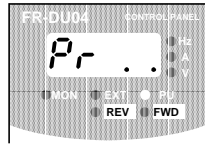
in Pr. 79 "operation mode selection".

2) Set "1" (PU operation mode) in Pr. 79 "operation mode selection".

Example: To change the external operation mode (Pr. 79=2) to the PU operation mode (Pr. 79=1)

Using the **MODE** key, choose the "parameter setting mode" as in 1).

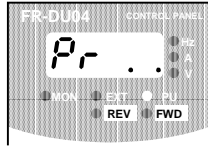
●Parameter setting mode



(3) Read Pr. 903 and show the current setting of the gain frequency.
 (Pr. 902, Pr. 904 and Pr. 905 can also be adjusted similarly.)

●Parameter setting mode

Using the **MODE** key, choose the "parameter setting mode" as in (2)-1).



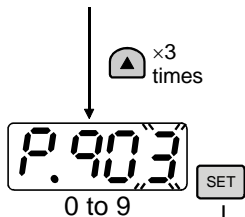
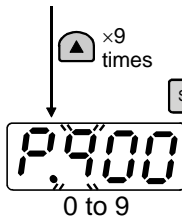
Most significant digit flickers.



Middle digit flickers.



Least significant digit flickers.

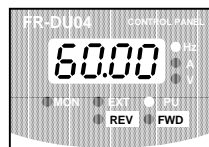


Current setting of gain frequency



(4) Set a gain frequency in Pr. 903 and show the analog voltage value across terminals 2-5 in %. (when setting the frequency to 80Hz)

Current setting of gain frequency



●Changing the gain frequency



Press to change the set frequency.

Press for 1.5 s



● Analog voltage value (%) across terminals 2-5



In any of the methods in (5) to (7) on the following page, continue the setting until the analog voltage value flickers. If you end the setting here, the gain frequency change will not be reflected.

- When not adjusting the gain voltage → go to (5) -1)
- When adjusting any point by applying a voltage → go to (5) -2)
- When adjusting any point without applying a voltage → go to (5) -3)

(5) -1) How to adjust the gain frequency only without the voltage being adjusted

- Analog voltage value (%) across terminals 2-5
- Press the ▲ or ▼ key once to display the current analog voltage adjustment.

Example: When analog voltage adjustment value is 100%(5V)

(5) -2) How to adjust any point by applying a voltage across terminals 2-5 (e.g. from the external potentiometer) (current: across terminals 4-5) (When applying 5V)

- Analog voltage value (%) across terminals 2-5
- Apply a 5V voltage. (Turn the external potentiometer connected across terminals 2-5 to maximum.)

(5) -3) How to adjust any point without applying a voltage across terminals 2-5 (without a current flowing across terminals 4-5) (when changing from 4V (80%) to 5V (100%))


- Analog voltage value (%) across terminals 2-5
- Press the ▲ or ▼ key once to display the current analog voltage calibration value.
- Set the gain voltage (%) with the ▲/▼ key. [0(%) for 0V (0mA), 100(%) for 5V (10V, 20mA)]

(6) Press the SET key to shift to the next parameter.

(7) Re-set Pr. 79 "operation mode selection" according to the operation mode to be used.

- Note: 1. If the Pr. 903 or Pr. 905 (gain adjustment) value is changed, the Pr. 20 value does not change. The input signal to terminal 1 (frequency setting auxiliary input) is added to the frequency setting signal.
2. For the operation procedure using the parameter unit (FR-PU04), refer to the FR-PU04 instruction manual.

CAUTION

 **Be careful when setting the bias frequency at 0V to any value other than "0". Even without the speed command, the motor will start running at the set frequency by merely switching on the start signal.**

4.2.57 PU buzzer control (Pr. 990)

Pr. 990 "PU buzzer control"

You can make the buzzer "beep" when you press any key of the operation panel or parameter unit.

Parameter Number	Factory Setting	Setting Range	Remarks
990	1	0, 1	0: Without beep, 1: With beep

CHAPTER 5

PROTECTIVE FUNCTIONS

This chapter explains the "protective functions" of this product.

Always read the instructions before using the equipment.

5.1 Errors (Alarms) 166
5.2 Troubleshooting 177
5.3 Precautions for Maintenance and Inspection 179

Chapter 1

Chapter 2

Chapter 3

Chapter 4

Chapter 5

Chapter 6

Chapter 7


5.1 Errors (Alarms)

PROTECTIVE FUNCTIONS

If any fault has occurred in the inverter, the corresponding protective function is activated to bring the inverter to an alarm stop and automatically give the corresponding error (alarm) indication on the PU display.

If your fault does not correspond to any of the following errors or if you have any other problem, please contact your sales representative.


- When the protective function is activated, take the corresponding corrective action, then reset the inverter, and resume operation.
- Resetting method


When the protective function is activated and the inverter has stopped its output, the inverter output is kept stopped (and the motor is coasted to a stop). Unless reset, therefore, the inverter cannot restart. To reset, use any of the following methods: switch power off once, then on again; short reset terminal RES-SD for more than 0.1 s, then open; or press the  key of the operation panel or parameter unit (use the help function of the parameter unit). If RES-SD are kept shorted, the operation panel shows "Err." and the parameter unit indicates that the inverter is being reset.

5.1.1 Error (alarm) definitions

(1) Major faults

When the protective function is activated, the inverter output is shut off and the alarm is output.

Operation Panel Indication	E.OC1		FR-PU04	OC During Acc
Name	Overcurrent shut-off during acceleration			
Description	When the inverter output current reaches or exceeds approximately 150% of the rated current during acceleration, the protective circuit is activated to stop the inverter output. This indication also appears when the start signal is input with power supplied to only the R1 <L11> and S1 <L21> terminals.			
Check point	Check for sudden acceleration. Check for long descending acceleration time of lift applications. Check for output short circuit. Check that main circuit power (R, S, T <L1, L2, L3>) is supplied.			
Corrective action	<ul style="list-style-type: none"> • Increase the acceleration time. (Decrease descending acceleration time of lift applications.) • If "E.OC1" is always lit at a start, disconnect the motor once and then start the inverter. If "E.OC1" is still lit, contact your sales representative. • Supply main circuit power (R, S, T <L1, L2, L3>). 			

Operation Panel Indication	E.OC2		FR-PU04	Stedy Spd OC
Name	Overcurrent shut-off during constant speed			
Description	When the inverter output current reaches or exceeds approximately 150% of the rated current during constant speed, the protective circuit is activated to stop the inverter output.			
Check point	Check for sudden load change. Check for output short circuit.			
Corrective action	Keep load stable.			

PROTECTIVE FUNCTIONS

Operation Panel Indication	E.OC3	E.Oc3	FR-PU04	OC During Dec
Name	Overcurrent shut-off during deceleration			
Description	When the inverter output current reaches or exceeds approximately 150% of the rated current during deceleration (other than acceleration or constant speed), the protective circuit is activated to stop the inverter output.			
Check point	Check for sudden speed reduction. Check for output short circuit. Check for too fast operation of motor's mechanical brake.			
Corrective action	Increase the deceleration time. Check mechanical brake operation.			

Operation Panel Indication	E.OV1	E.Ov1	FR-PU04	OV During Acc
Name	Regenerative overvoltage shut-off during acceleration			
Description	If regenerative energy causes the inverter's internal main circuit DC voltage to reach or exceed the specified value, the protective circuit is activated to stop the inverter output. It may also be activated by a surge voltage generated in the power supply system.			
Check point	Check for too slow acceleration. (i.e. during descending acceleration with lifting load)			
Corrective action	Decrease the acceleration time.			

Operation Panel Indication	E.OV2	E.Ov2	FR-PU04	Stedy Spd OV
Name	Regenerative overvoltage shut-off during constant speed			
Description	If regenerative energy causes the inverter's internal main circuit DC voltage to reach or exceed the specified value, the protective circuit is activated to stop the inverter output. It may also be activated by a surge voltage generated in the power supply system.			
Check point	Check for sudden load change.			
Corrective action	<ul style="list-style-type: none"> • Keep load stable. • Use the brake unit or power regeneration common converter (FR-CV) as required. 			

Operation Panel Indication	E.OV3	E.Ov3	FR-PU04	OV During Dec
Name	Regenerative overvoltage shut-off during deceleration or stop			
Description	If regenerative energy causes the inverter's internal main circuit DC voltage to reach or exceed the specified value, the protective circuit is activated to stop the inverter output. It may also be activated by a surge voltage generated in the power supply system.			
Check point	Check for sudden speed reduction.			
Corrective action	<ul style="list-style-type: none"> • Increase the deceleration time. (Set the deceleration time which matches the inertia moment of the load.) • Decrease the braking duty. • Use the brake unit or power regeneration common converter (FR-CV) as required. 			

PROTECTIVE FUNCTIONS

Operation Panel Indication	E.THM	E.THM	FR-PU04	Motor Overload
Name	Motor overload shut-off (electronic overcurrent protection) (Note 1)			
Description	The electronic overcurrent protection in the inverter detects motor overheat due to overload or reduced cooling capability during constant-speed operation. When 85% of the preset value is reached, pre-alarm (TH indication) occurs. When the specified value is reached, the protective circuit is activated to stop the inverter output. When a special motor such as a multi-pole motor or two or more motors are run, provide a thermal relay in the inverter output side since the motor(s) cannot be protected by the electronic overcurrent protection.			
Check point	Check the motor for use under overload.			
Corrective action	<ul style="list-style-type: none"> • Reduce the load weight. • For a constant-torque motor, change the Pr. 71 setting to the constant-torque motor setting. 			

Operation Panel Indication	E.THT	E.THT	FR-PU04	Inv. Overload
Name	Inverter overload shut-off (electronic overcurrent protection) (Note 1)			
Description	If a current of more than 120% of the rated output current flows and overcurrent shut-off does not occur (150% or less), inverse-time characteristics cause the electronic overcurrent protection to be activated to stop the inverter output in order to protect the output transistors. (Overload immunity 120%, 60s.)			
Check point	Check the motor for use under overload.			
Corrective action	Reduce the load weight.			

Note 1: Resetting the inverter initializes the internal heat integrating data of the electronic overcurrent protection.

Operation Panel Indication	E.IPF	E.IPF	FR-PU04	Inst. Pwr. Loss
Name	Instantaneous power failure protection			
Description	If a power failure occurs for longer than 15ms (this also applies to inverter input shut-off), the instantaneous power failure protective function is activated to stop the inverter output in order to prevent the control circuit from malfunctioning. At this time, the alarm warning output contacts open (across terminals B-C) and close (across terminals A-C). (Note 2) If a power failure persists for longer than 100ms, the alarm warning output is not provided, and the inverter restarts if the start signal is on upon power restoration. (The inverter continues operating if an instantaneous power failure is within 15ms.)			
Check point	Find the cause of instantaneous power failure occurrence.			
Corrective action	<ul style="list-style-type: none"> • Remedy the instantaneous power failure. • Prepare a backup power supply for instantaneous power failure. • Set the function of automatic restart after instantaneous power failure. (Refer to page 91.) 			

Note 2: When an instantaneous power failure occurs, the alarm display and alarm output are not provided, but the inverter performs protective operation to prevent a fault from occurring in itself. In some operating status (load size, acceleration/deceleration time setting, etc.), overcurrent or other protection may be activated upon power restoration.

PROTECTIVE FUNCTIONS

Operation Panel Indication	E.UVT	<i>E.UVT</i>	FR-PU04	Under Voltage
Name	Undervoltage protection			
Description	If the power supply voltage of the inverter reduces, the control circuit will not operate properly and will result in decreased motor torque or increased heat generation. To prevent this, if the power supply voltage reduces below 150V (approximately 300V for the 400V class), this function stops the inverter output. When a jumper is not connected across P-P1 <+ - P1>, the undervoltage protective function is activated.			
Check point	Check for start of large-capacity motor. Check that a jumper or DC reactor is connected across terminals P-P1 <+ - P1>.			
Corrective action	Check the power supply system equipment such as power supply. Connect a jumper or DC reactor across terminals P-P1 <+ - P1>.			

Operation Panel Indication	E.FIN	<i>E.FIN</i>	FR-PU04	H/Sink O/Temp
Name	Fin overheat			
Description	If the heatsink overheats, the overheat sensor is actuated to stop the inverter output.			
Check point	<ul style="list-style-type: none"> • Check for too high ambient temperature. • Check for heatsink clogging. 			
Corrective action	Set the ambient temperature to within the specifications.			

Operation Panel Indication	E.GF	<i>E. GF</i>	FR-PU04	Ground Fault
Name	Output side earth (ground) fault overcurrent protection			
Description	This function stops the inverter output if an earth (ground) fault overcurrent flows due to an earth (ground) fault which occurred in the inverter's output (load) side.			
Check point	Check for a earth (ground) fault in the motor and connection cable.			
Corrective action	Remedy the earth (ground) fault portion.			

Operation Panel Indication	E.OHT	<i>E.OHT</i>	FR-PU04	OH Fault
Name	External thermal relay operation (Note 3)			
Description	If the external thermal relay designed for motor overheat protection or the internally mounted temperature relay in the motor switches on (contacts open), the inverter output is stopped. If the relay contacts are reset automatically, the inverter will not restart unless it is reset.			
Check point	<ul style="list-style-type: none"> • Check for motor overheating. • Check that the value of 7 (OH signal) is set correctly in any of Pr. 180 to Pr. 186 (input terminal function selection). 			
Corrective action	Reduce the load and operating duty.			

Note 3: This function is activated only when OH has been set to any of Pr. 180 to Pr. 186 (input terminal function selection).

PROTECTIVE FUNCTIONS

Operation Panel Indication	E.OLT	<i>E.OLT</i>	FR-PU04	Still Prev STP (OL shown during stall prevention operation)
Name	Stall prevention			
Description	The running frequency has fallen to 0 by stall prevention activated. (OL while stall prevention is being activated.)			
Check point	Check the motor for use under overload.			
Corrective action	Reduce the load weight.			

Operation Panel Indication	E.OPT	<i>E.OPT</i>	FR-PU04	Option Fault
Name	Option alarm			
Description	Stops the inverter output if two or more communication options are fitted. (Note 4) When the high power factor converter is connected, this alarm appears if an AC power supply is accidentally connected to R, S, T <L ₁ , L ₂ , L ₃ >.			
Check point	<ul style="list-style-type: none"> • Check that the number of communication options fitted is one. • When the high power factor converter is connected, check for an AC power supply connected to the R, S, T <L₁, L₂, L₃> terminals. 			
Corrective action	<ul style="list-style-type: none"> • Reduce the communication options used to one. • Check the parameter (Pr. 30) setting and wiring. • When the high power factor converter is connected, connecting an AC power supply to the R, S, T <L₁, L₂, L₃> terminals may have damaged the inverter. Contact your sales representative. 			

Note 4: The FR-A5NR (relay output/computer link) allows you to fit one more communication option. In this case, only the relay output function may be used and the computer link function is unusable.

Operation Panel Indication	E.OP1 to OP3	<i>E.OP1 to OP3</i>	FR-PU04	Option slot alarm 1 to 3
Name	Option slot alarm			
Description	Stops the inverter output if a functional alarm occurs in the plug-in option loaded in the corresponding slot (e.g. communication alarm of the communication option, contact fault of the plug-in option other than a communication option)			
Check point	<ul style="list-style-type: none"> • Check for a wrong option function setting and operation. • Check that the plug-in option is connected to the connector securely. (1 to 3 indicate the option slot numbers.) • Check the communication cable for wire breakage. • Check that the termination resistor is fitted properly. 			
Corrective action	<ul style="list-style-type: none"> • Confirm the option function setting, etc. • Connect the plug-in option securely. 			

Operation Panel Indication	E.PE	<i>E. PE</i>	FR-PU04	Corrupt Memry
Name	Parameter storage device alarm			
Description	Stops the inverter output if a fault occurs in the E ² PROM device which stores parameter settings.			
Check point	Check for too many number of parameter write times.			
Corrective action	Change the inverter.			

PROTECTIVE FUNCTIONS

Operation Panel Indication	E.PUE	E.PUE	FR-PU04	PU Leave Out
Name	Parameter unit disconnection			
Description	This function stops the inverter output if communication between the inverter and PU is suspended, e.g. the operation panel or PU is disconnected, when "2", "3", "16" or "17" was set in Pr. 75 "reset selection/disconnected PU detection/PU stop selection". This function stops the inverter output if the number of successive communication errors is greater than the permissible number of retries when the Pr. 121 value is other than "9999" for RS-485 communication from the PU connector. This function stops the inverter output if communication is broken for the time set in Pr. 122.			
Check point	<ul style="list-style-type: none"> • Check for loose fitting of the DU or PU. • Check the Pr. 75 setting. 			
Corrective action	Fit the DU and PU securely.			

Operation Panel Indication	E.RET	E.rEr	FR-PU04	Retry No Over
Name	Retry count exceeded			
Description	If operation cannot be resumed properly within the number of retries set, this function stops the inverter output.			
Check point	Find the cause of alarm occurrence.			
Corrective action	Eliminate the cause of the error preceding this error indication.			

Operation Panel Indication	E.CPU	E.CPU	FR-PU04	CPU Fault
Name	CPU error			
Description	If the arithmetic operation of the built-in CPU does not end within a predetermined period, the inverter self-determines it as an alarm and stops the output.			
Check point	_____			
Corrective action	<ul style="list-style-type: none"> • Make connection securely. 			

Operation Panel Indication	E. 3	E. 3	FR-PU04	Fault 3
Name	Option fault			
Description	The inverter output is stopped if a contact fault occurs at the connector between the inverter and communication option, a fault of the communication option itself, etc. occurs.			
Check point	<ul style="list-style-type: none"> • Check that the communication option is plugged in the connector securely. (3 indicate the option slot numbers.) • Check for excess noises around the inverter. 			
Corrective action	<ul style="list-style-type: none"> • Take measures against noises if there are devices producing excess noises around the inverter. • Contact your sales representative. 			

PROTECTIVE FUNCTIONS

Operation Panel Indication	E. 6	E. 6	FR-PU04	Fault 6
	E. 7	E. 7		Fault 7
Name	CPU error			
Description	This function stops the inverter output if a communication error occurs in the built-in CPU.			
Check point	<ul style="list-style-type: none"> • Check for excess electrical noises around the inverter. 			
Corrective action	<ul style="list-style-type: none"> • Connect devices securely. • If there are any devices generating excess electrical noises around the inverter, take measures against noises. • Contact your sales representative. 			

Operation Panel Indication	E.P24	E.P24	FR-PU04	E. P24
Name	24VDC power output short circuit			
Description	When the 24VDC power output from the PC terminal is shorted, this function shuts off the power output. At this time, all external contact inputs switch off. The inverter cannot be reset by entering the RES signal. To reset, use the operation panel or switch power off, then on again.			
Check point	Check for a short circuit in the PC terminal output.			
Corrective action	Remedy the short circuit portion.			

Operation Panel Indication	E.CTE	E.CTE	FR-PU04	—
Name	Operation panel power supply short circuit			
Description	When the operation panel power supply (P5S of the PU connector) is shorted, this function shuts off the power supply output. At this time, the operation panel (parameter unit) cannot be used and RS-485 communication from the PU connector cannot be made. To reset, enter the RES signal or switch power off, then on again.			
Check point	Check for a short circuit in the PU connector cable.			
Corrective action	Check the PU and cable.			

Operation Panel Indication	E.LF	E. LF	FR-PU04	—
Name	Output phase failure protection			
Description	This function stops the inverter output if one of the three phases (U, V, W) on the inverter's output side (load side) results in open phase.			
Check point	<ul style="list-style-type: none"> • Check the wiring (Check the motor for a fault.) • Check that the capacity of the used motor is not smaller than the inverter capacity. 			
Corrective action	<ul style="list-style-type: none"> • Wire the cables properly. • Check the setting of Pr. 251 "output phase failure protection selection". 			

(2) Minor fault

When the protective function is activated, the output is not shut off. You can make parameter setting to output the minor fault signal. (Set "98" in any of Pr. 190 to Pr. 195 (output terminal function selection). Refer to page 142)

Operation Panel Indication	FN	<i>F_n</i>	FR-PU04	Fan Failure
Name	Fan fault			
Description	For the inverter which contains a cooling fan, FN appears on the operation panel when the cooling fan stops due to a fault or operates differently from the setting of Pr. 244 "cooling fan operation selection".			
Check point	Check the cooling fan for a fault.			
Corrective action	Change the fan.			



(3) Warnings

Operation Panel Indication	OL	<i>OL</i>	FR-PU04	OL
Name	Stall prevention (Over current)			
Description	During acceleration	If a current of more than 120% (Note 5) of the rated inverter current flows in the motor, this function stops the increase in frequency until the overload current reduces to prevent the inverter from resulting in overcurrent shut-off. When the overload current has reduced below 120%, this function increases the frequency again.		
	During constant-speed operation	If a current of more than 120% (Note 5) of the rated inverter current flows in the motor, this function lowers the frequency until the overload current reduces to prevent overcurrent shut-off. When the overload current has reduced below 120%, this function increases the frequency up to the set value.		
	During deceleration	If a current of more than 120% (Note 5) of the rated inverter current flows in the motor, this function stops the decrease in frequency until the overload current reduces to prevent the inverter from resulting in overcurrent shut-off. When the overload current has reduced below 120%, this function decreases the frequency again.		
Check point	Check the motor for use under overload.			
Corrective action	The acceleration/deceleration time may change. Increase the stall prevention operation level with Pr. 22 "stall prevention operation level" or disable stall prevention with Pr. 156 "stall prevention operation selection".			

Note 5: The stall prevention operation current may be set as desired. It is factory-set to 120%.

PROTECTIVE FUNCTIONS

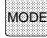
Operation Panel Indication	oL	oL	FR-PU04	oL
Name	Stall prevention (overvoltage)			
Description	During deceleration	If the regenerative energy of the motor increases too much to exceed the brake capability, this function stops the decrease in frequency to prevent overvoltage shut-off. As soon as the regenerative energy has reduced, deceleration resumes.		
Check point	Check for sudden speed reduction.			
Corrective action	The deceleration time may change. Increase the deceleration time with Pr. 8 "deceleration time".			

Operation Panel Indication	PS	PS	FR-PU04	PS
Name	PU stop			
Description	A stop made by pressing the  key of the PU has been set in Pr. 75 "PU stop selection".			
Check point	Check for a stop made by pressing the  key of the operation panel.			
Corrective action	Refer to page 102.			

Operation Panel Indication	TH	TH	FR-PU04	TH
Name	Electronic overcurrent protection prealarm			
Description	This alarm appears if the cumulative value of the electronic overcurrent protection reaches 85% of the preset level. If it reaches 100% of the preset level, motor overload shutoff (E.THM) occurs.			
Check point	Check for large load or sudden acceleration.			
Corrective action	Reduce the load volume or the frequency of operation.			

Operation Panel Indication	Err.	Err		
Description	<p>This alarm appears if:</p> <ul style="list-style-type: none"> • The RES signal is on. • You attempted to set any parameter value in the external operation mode. • You attempted to change the operation mode during operation. • You attempted to set any parameter value outside its setting range. • You attempted to set any parameter value during operation (while signal STF or STR is ON). • You attempted to make parameter setting when Pr. 77 "parameter write disable selection" has been set to disable parameter write. 			
Corrective action	Perform operation correctly.			

5.1.2 To know the operating status at the occurrence of an alarm

When any alarm has occurred, the display automatically switches to the indication of the corresponding protective function (error). By pressing the  key at this point without resetting the inverter, the display shows the output frequency. In this way, it is possible to know the running frequency at the occurrence of the alarm. This also applies to the current.

After resetting, you can confirm the data in the alarm history (refer to page 51).

5.1.3 Correspondences between digital and actual characters

There are the following correspondences between the actual alphanumeric characters and the digital characters displayed on the operation panel:

Actual	Digital
0	0
1	1
2	2
3	3
4	4
5	5
6	6
7	7
8	8
9	9

Actual	Digital
A	A
B	b
C	C
D	d
E	E
F	F
G	G
H	H
I	I
J	J
L	L

Actual	Digital
M	m
N	n
O	O
o	o
P	P
S	S
T	T
U	U
V	V
r	r
-	-

5.1.4 Alarm code output

By setting Pr. 76 "alarm code output selection", an alarm definition can be output as a 4-bit digital signal. This signal is output from the open collector output terminals equipped as standard on the inverter. Correlations between alarm definitions and alarm codes are as follows.


Operation Panel Display (FR-DU04)	Output Terminal Signal On-Off				Alarm Code	Alarm Output (across B-C)
	SU	IPF	OL	FU		
E.OC1	0	0	0	1	1	Provided (Open)
E.OC2	0	0	1	0	2	
E.OC3	0	0	1	1	3	
E.OV1	0	1	0	0	4	Provided (Open)
E.OV2						
E.OV3						
E.THM	0	1	0	1	5	Provided (Open)
E.THT	0	1	1	0	6	
E.IPF	0	1	1	1	7	Provided (Open)
E.UVT	1	0	0	0	8	Provided (Open)
E.FIN	1	0	0	1	9	Provided (Open)
E. GF	1	0	1	1	B	Provided (Open)
E.OHT	1	1	0	0	C	Provided (Open)
E.OLT	1	1	0	1	D	Not provided (Closed) (Provided when OLT is displayed (Open))
E.OPT	1	1	1	0	E	Provided (Open)
E.OP1 to E.OP3	1	1	1	0	E	Provided (Open)
E. PE	1	1	1	1	F	Provided (Open)
E.PUE						Provided (Open)
E.RET						Provided (Open)
E.LF						Provided (Open)
E.CPU						Provided (Open)
E. 3						Provided (Open)
E. 6						Provided (Open)
E. 7						Provided (Open)

(Note) 0: Output transistor OFF, 1: Output transistor ON (common terminal SE)
The alarm output assumes that Pr. 195 setting is "99" (factory setting).

5.1.5 Resetting the inverter

The inverter can be reset by performing any of the following operations. Note that the electronic overcurrent protection's internal heat calculation value and the number of retries are cleared (erased) by resetting the inverter.

Recover in about 1s after resetting.

Operation 1: Using the operation panel (FR-DU04), press the  key to reset the inverter.

Operation 2: Switch power off once, then switch it on again.

Operation 3: Switch on the reset signal (RES).

5.2 Troubleshooting

PROTECTIVE FUNCTIONS

POINT: Check the corresponding areas. If the cause is still unknown, it is recommended to initialize the parameters (return to factory settings), re-set the required parameter values, and check again.

5.2.1 Motor remains stopped

1) Check the main circuit

- Check that a proper power supply voltage is applied (operation panel display is provided).
- Check that the motor is connected properly.
- Check that the conductor across P1-P<+> is connected.

2) Check the input signals

- Check that the start signal is input.
- Check that both the forward and reverse rotation start signals are not input.
- Check that the frequency setting signal is not zero.
- Check that the AU signal is on when the frequency setting signal is 4 to 20mA.
- Check that the output stop signal (MRS) or reset signal (RES) is not on.
- Check that the CS signal is not off when automatic restart after instantaneous power failure is selected (Pr. 57 = other than "9999").
- Check that the sink/source jumper connector is fitted securely.

3) Check the parameter settings

- Check that the Pr. 160 "user group read selection" setting is correct.
- Check that the reverse rotation prevention (Pr. 78) is not selected.
- Check that the operation mode (Pr. 79) setting is correct.
- Check that the bias and gain (Pr. 902 to Pr. 905) settings are correct.
- Check that the starting frequency (Pr. 13) setting is not greater than the running frequency.
- Check that various operational functions (such as three-speed operation), especially the maximum frequency (Pr. 1), are not zero.

4) Check the load

- Check that the load is not too heavy.
- Check that the shaft is not locked.

5) Others

- Check that the ALARM lamp is not lit.
- Check that the Pr. 15 "jog frequency" setting is not lower than the Pr. 13 "starting frequency" value.

5.2.2 Motor rotates in opposite direction

- Check that the phase sequence of output terminals U, V and W is correct.
- Check that the start signals (forward rotation, reverse rotation) are connected properly.

5.2.3 Speed greatly differs from the setting

- Check that the frequency setting signal is correct. (Measure the input signal level.)
- Check that the following parameter settings are proper: Pr. 1, Pr. 2, Pr. 19, Pr. 902 to Pr. 905.
- Check that the input signal lines are not affected by external noise. (Use shielded cables)
- Check that the load is not too heavy.

5.2.4 Acceleration/deceleration is not smooth

- Check that the acceleration and deceleration time settings are not too short.
- Check that the load is not too heavy.
- Check that the torque boost (Pr. 0, Pr. 46) setting is not too large to activate the stall function.

5.2.5 Motor current is large

- Check that the load is not too heavy.
- Check that the torque boost (Pr. 0, Pr. 46) setting is not too large.
- Check that the set value of the load pattern selection (Pr. 14) is proper for the application.

5.2.6 Speed does not increase

- Check that the maximum frequency (Pr. 1) setting is correct.
- Check that the load is not too heavy. (In agitators, etc., load may become heavy in winter.)
- Check that the torque boost (Pr. 0, Pr. 46) setting is not too large to activate the stall prevention function.
- Check that the brake resistor is not connected to terminals P<+>-P1 accidentally.

5.2.7 Speed varies during operation

- 1) Inspection of load
 - Check that the load is not varying.
- 2) Inspection of input signal
 - Check that the frequency setting signal is not varying.
 - Check that the frequency setting signal is not affected by induced noise.
 - Check that a malfunction does not occur due to an undesirable current when the transistor output unit is connected, for example. (Refer to page 18.)

5.2.8 Operation mode is not changed properly

- If the operation mode is not changed properly, check the following:
- 1) External input signal Check that the STF or STR signal is off.
When it is on, the operation mode cannot be changed.
 - 2) Parameter setting Check the Pr. 79 setting.
When the setting of Pr. 79 "operation mode selection" is "0" (factory setting), switching input power on places the inverter in the external operation mode. Press the operation panel's **MODE** key two times and press the **▲** key (press the **PU** key for the parameter unit (FR-PU04)). This changes the external operation mode into the PU operation mode. For any other setting (0 to 4, 6 to 8), the operation mode is limited according to the setting.
(For the detail of Pr.79, refer to 107 page)

5.2.9 Operation panel (FR-DU04) display is not provided

- Make sure that the operation panel is connected securely with the inverter.

5.2.10 POWER lamp is not lit

- Make sure that the wiring and installation are correct.

5.2.11 Parameter write cannot be performed

- Check that operation is not being performed (signal STF or STR is not ON).
- Check that the **SET** key (**WRITE** key) is pressed for longer than 1.5 s.
- Check that you are not attempting to make parameter setting outside the setting range.
- Check that you are not attempting to make parameter setting in the external operation mode.
- Check the setting of Pr. 77 "parameter write inhibit selection".

5.3 Precautions for Maintenance and Inspection

PROTECTIVE FUNCTIONS

The transistorized inverter is a static unit mainly consisting of semiconductor devices. Daily inspection must be performed to prevent any fault from occurring due to adverse influence by the operating environment, such as temperature, humidity, dust, dirt and vibration, changes in the parts with time, service life, and other factors.

5.3.1 Precautions for maintenance and inspection

For some short time after the power is switched off, a high voltage remains in the smoothing capacitor. When accessing the inverter for inspection, switch power off. When more than 10 minutes have elapsed, make sure that the voltage across the main circuit terminals P-N <+ - -> of the inverter is 30VDC or less using a meter, etc.

5.3.2 Check items

(1) Daily inspections

- Check the following:
 - 1) Motor operation fault
 - 2) Improper installation environment
 - 3) Cooling system fault
 - 4) Unusual vibration and noise
 - 5) Unusual overheating and discoloration
- During operation, check the inverter input voltages using a meter.

(2) Cleaning

Always run the inverter in a clean state.

When cleaning the inverter, gently wipe dirty areas with a soft cloth immersed in neutral detergent or ethanol.

Note: Do not use solvent, such as acetone, benzene, toluene and alcohol, as they will cause the inverter surface paint to peel off.

Do not use detergent or alcohol to clean the display and other sections of the operation panel (FR-DU04) or parameter unit (FR-PU04) as these sections may deform.

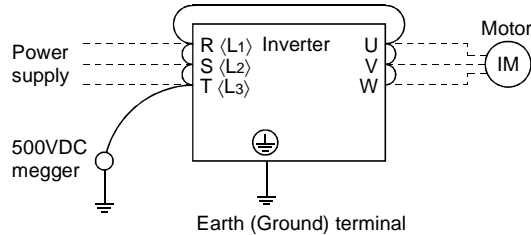
5.3.3 Periodic inspection

Check the areas inaccessible during operation and requiring periodic inspection. For periodic inspection, consult us.

- 1) Cooling system fault : Clean the air filter, etc.
- 2) Tightening check and retightening : The screws and bolts may become loose due to vibration, temperature changes, etc. Check and tighten them. Tighten them according to the specified tightening torque.
- 3) Check the conductors and insulating materials for corrosion and damage.
- 4) Measure insulation resistance.
- 5) Check and change the cooling fan and relay.

5.3.4 Insulation resistance test using megger

- 1) Before performing the insulation resistance test using a megger on the external circuit, disconnect the cables from all terminals of the inverter so that the test voltage is not applied to the inverter.
- 2) For the continuity test of the control circuit, use a meter (high resistance range) and do not use the megger or buzzer.
- 3) For the inverter, conduct the insulation resistance test on the main circuit only as shown below and do not perform the test on the control circuit. (Use a 500VDC megger.)



5.3.5 Pressure test

Do not conduct a pressure test. The inverter's main circuit uses semiconductors, which may be deteriorated if a pressure test is made.

5.3.6 Daily and Periodic Inspection

Area of Inspection	Inspection Item	Description	Interval			Method	Criterion	Instrument	Customer's check
			Daily	Periodic					
				1 year	2 years				
General	Surrounding environment	Check ambient temperature, humidity, dust, dirt, etc.	○			(Refer to page 7)	Ambient temperature: (constant torque) -10°C to +50°C (14°F to 122°F), non-freezing. (Variable torque) -10°C to +40°C (14°F to 104°F), non-freezing Ambient humidity: 90% or less, non-condensing.	Thermometer, hygrometer, recorder	
	Overall unit	Check for unusual vibration and noise.	○			Visual and auditory checks.	No fault.		
	Power supply voltage	Check that main circuit voltage is normal.	○			Measure voltage across inverter terminals R-S-T (L ₁ -L ₂ -L ₃).	Within permissible AC voltage fluctuation (Refer to page 187)	Meter, digital multimeter	
Main circuit	General	(1) Check with megger (across main circuit terminals and earth (ground) terminal). (2) Check for loose screws and bolts. (3) Check for overheating of each part. (4) Clean.			○	(1) Disconnect all cables from inverter and measure across terminals R, S, T, U, V, W (L ₁ , L ₂ , L ₃ , U, V, W) and earth (ground) terminal with megger. (2) Re-tighten. (3) Visual check.	(1) 5M Ω or more. (2), (3) No fault.	500VDC class megger	
	Conductors, cables	(1) Check conductors for distortion. (2) Check cable sheaths for breakage.		○	○	(1), (2) Visual check.	(1), (2) No fault.		
	Terminal block	Check for damage.		○		Visual check.	No fault		

* For periodic inspection, consult Mitsubishi.

PROTECTIVE FUNCTIONS

Area of Inspection	Inspection Item	Description	Interval			Method	Criterion	Instrument	Customer's check
			Daily	Periodic*					
				1 year	2 years				
Main circuit	Inverter module, Converter module	Check resistance across terminals.			○	Disconnect cables from inverter and measure across terminals R, S, T, ↔ P, N and U, V, W, ↔ P, N (L1, L2, L3 ↔ +, - and U, V, W, ↔ +, -) with a meter range of 100Ω.	(Refer to page 182)	Analog meter	
	Relay	(1) Check for chatter during operation. (2) Check for rough surface on contacts.		○	○	(1) Auditory check. (2) Visual check.	(1) No fault. (2) No fault.		
	Resistor	(1) Check for crack in resistor insulation. (2) Check for open cable.		○	○	(1) Visual check. Cement resistor, wire-wound resistor. (2) Disconnect one end and measure with a meter.	(1) No fault. (2) Error should be within ±10% of indicated resistance value.	Meter, digital multimeter	
Control circuit Protective circuit	Operation check	(1) Check balance of output voltages across phases with inverter operated independently. (2) Perform sequence protective operation test to make sure of no fault in protective and display circuits.		○	○	(1) Measure voltage across inverter output terminals U-V-W. (2) Simultaneously connect or disconnect inverter protective circuit output terminals.	(1) Phase-to-phase voltage balance within 4V(8V) for 200V(400V). (2) Fault must occur because of sequence.	Digital multimeter, rectifier type voltmeter	
Cooling system	Cooling fan	(1) Check for unusual vibration and noise. (2) Check for loose connection.	○		○	(1) Turn by hand with power off. (2) Visual check	No unusual vibration, unusual noise.		
Display	Display	(1) Check if LED lamp is blown. (2) Clean.	○		○	(1) Light indicator lamps on panel. (2) Clean with rag.	(1) Check that lamps are lit.		
	Meter	Check that reading is normal.	○			Check reading of meters on panel.	Must satisfy specified and management values.	Voltmeter, ammeter, etc.	
Motor	General	(1) Check for unusual vibration and noise. (2) Check for unusual odor.	○		○	(1) Auditory, sensory, visual checks. (2) Check for unusual odor due to overheating, damage, etc.	(1), (2) No fault.		
	Insulation resistance	Check with megger (across terminals and earth (ground) terminal).			○	Disconnect cables from U, V, W, including motor cables.	5M Ω or more	500V megger	

Note: Values in parentheses are those of the 400V class.

*For periodic inspection, consult Mitsubishi.

• Checking the inverter and converter modules

<Preparation>

- 1) Disconnect the external power supply cables (R, S, T) (L1, L2, L3) and motor cables (U, V, W).
- 2) Prepare a meter. (Use 100Ω range.)

<Checking method>

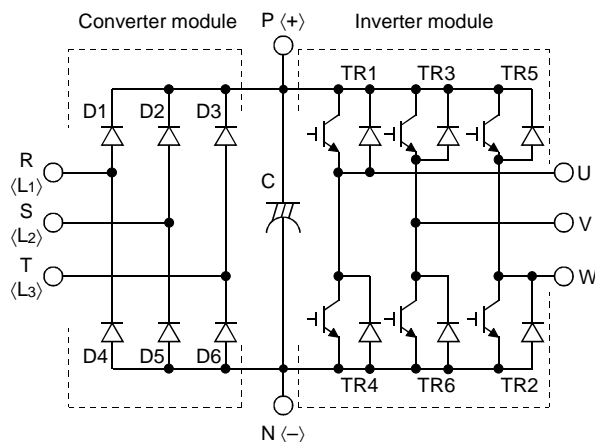
Change the polarity of the tester alternately at the inverter terminals R, S, T, U, V, W, P and N (L1, L2, L3, U, V, W, + and -), and check for continuity.

Note: 1. Before measurement, check that the smoothing capacitor is discharged.
 2. At the time of discontinuity, due to the smoothing capacitor, the tester may not indicate ∞. At the time of continuity, the measured value is several to several ten's-of ohms depending on the module type, circuit tester type, etc. If all measured values are almost the same, the modules are without fault.

<Module device numbers and terminals to be checked>

		Tester Polarity		Measured Value			Tester Polarity		Measured Value
		⊕	⊖				⊕	⊖	
Converter module	D1	R (L1)	P (+)	Discontinuity	D4	R (L1)	N (-)	Continuity	
		P (+)	R (L1)	Continuity		N (-)	R (L1)	Discontinuity	
	D2	S (L2)	P (+)	Discontinuity	D5	S (L2)	N (-)	Continuity	
		P (+)	S (L2)	Continuity		N (-)	S (L2)	Discontinuity	
	D3	T (L3)	P (+)	Discontinuity	D6	T (L3)	N (-)	Continuity	
		P (+)	T (L3)	Continuity		N (-)	T (L3)	Discontinuity	
Inverter module	TR1	U	P (+)	Discontinuity	TR4	U	N (-)	Continuity	
		P (+)	U	Continuity		N (-)	U	Discontinuity	
	TR3	V	P (+)	Discontinuity	TR6	V	N (-)	Continuity	
		P (+)	V	Continuity		N (-)	V	Discontinuity	
	TR5	W	P (+)	Discontinuity	TR2	W	N (-)	Continuity	
		P (+)	W	Continuity		N (-)	W	Discontinuity	

(Assumes the use of an analog meter.)



5.3.7 Replacement of parts

The inverter consists of many electronic parts such as semiconductor devices.

The following parts may deteriorate with age because of their structures or physical characteristics, leading to reduced performance or failure of the inverter. For preventive maintenance, the parts must be replaced periodically.

The part replacement guidelines for the inverter are indicated in the following table. Lamps and other short-life parts must also be changed during periodic inspection.

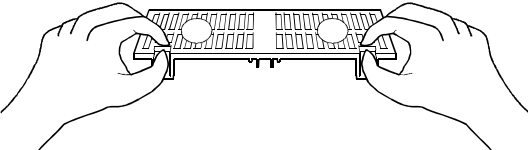
Replacement Parts of the Inverter

Part Name	Standard Replacement Interval	Description
Cooling fan	2 to 3 years	Replace (as required)
Main circuit smoothing capacitor	10 years	Replace (as required)
On-board smoothing capacitor	10 years	Replace the board (as required)
Relays	—	Replace as required

Note: For part replacement, contact the nearest Mitsubishi FA center.

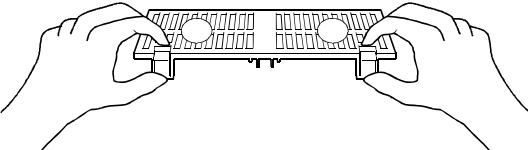
(1) Cooling fan

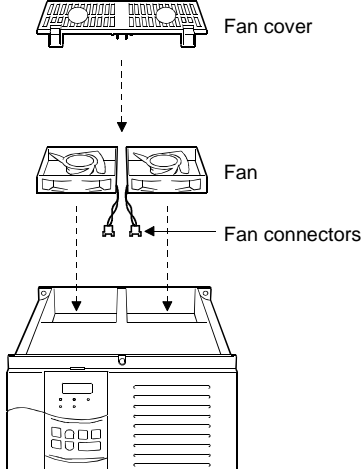
The cooling fan is used to cool heat-generating parts such as the main circuit semiconductors. The life of the cooling fan bearing is usually 10,000 to 35,000 hours. Hence, the cooling fan must be changed every 2 to 3 years if the inverter is run continuously. When unusual noise and/or vibration is noticed during inspection, the cooling fan must be changed immediately.

- Removal
 - 1) Push the catches from above and remove the fan cover.
 - 2) Disconnect the fan connector(s).
 - 3) Remove the fan.
- Reinstallation
 - 1) After confirming the orientation of the fan, reinstall the fan so that the arrow on the left of "AIR FLOW" faces up.

↑ AIR FLOW

<Fan side face>

 - 2) Reconnect the fan connectors.
When wiring, use care to avoid the cables being caught by the fan.
 - 3) Reinstall the fan cover.



<Example: FR-F540-5.5K>

(2) Smoothing capacitors

A large-capacity aluminum electrolytic capacitor is used for smoothing the DC in the main circuit, and an aluminum electrolytic capacitor is also used for stabilizing the control power in the control circuit. Their characteristics are adversely affected by ripple current, etc. This is greatly influenced by the ambient temperature and operating conditions. When the inverter is operated in an ordinary, air-conditioned environment, change the capacitors about every 10 years.

Check the following:

- 1) Case (side faces and bottom face for expansion)
- 2) Sealing plate (for remarkable warping and extreme cracks)
- 3) Explosion-proof valve (for excessive valve expansion and operation)
- 4) Appearance, external cracks, discoloration, leakage. When the measured capacitance of the capacitor has reduced below 85% of the rating, change the capacitor.

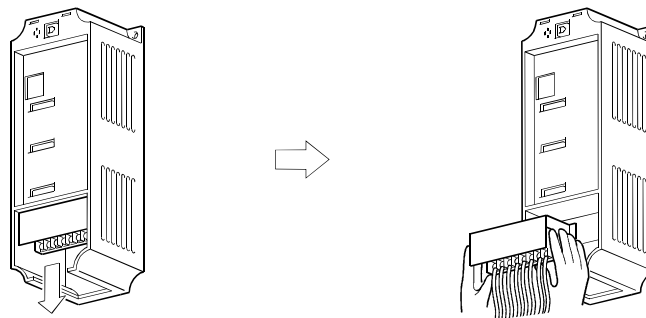
(3) Relays

To prevent a contact fault, etc., relays must be changed according to the number of accumulative switching times (switching life).

5.3.8 Inverter replacement

The inverter can be changed with the control circuit wiring kept connected. Before replacement, remove the screws in the wiring cover of the inverter.

- 1) Remove the mounting screws in both ends of the control circuit terminal block.
- 2) Pull down the terminal block from the back of the control circuit terminals.



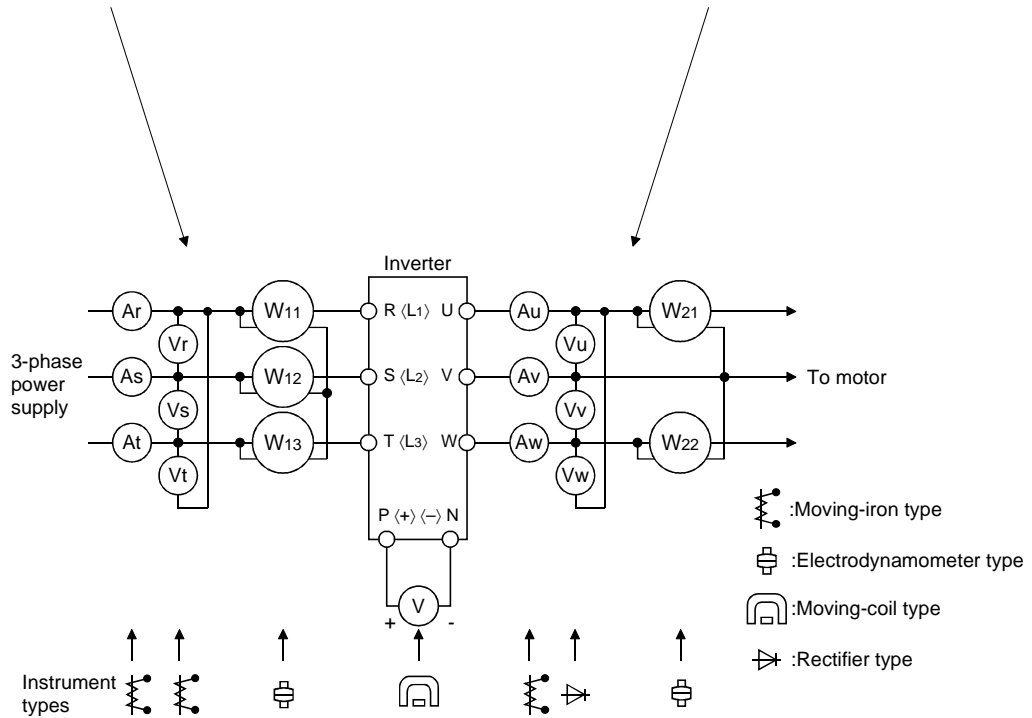
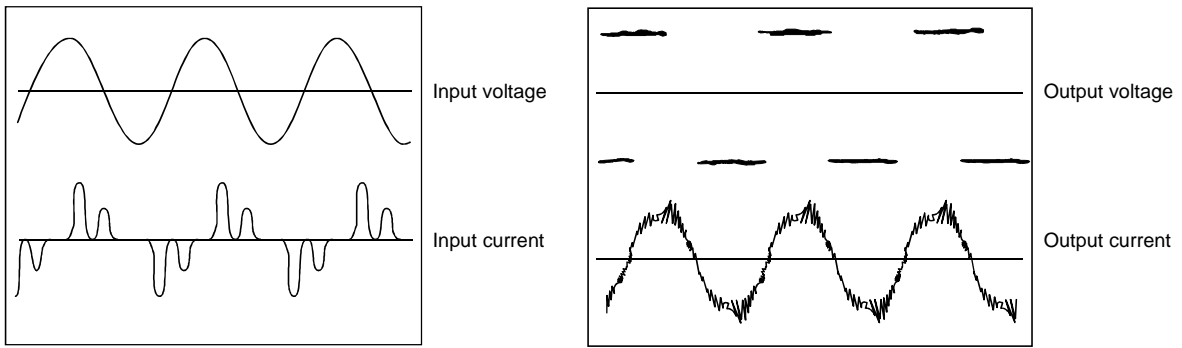
- 3) When installing the terminal block to a new inverter, exercise care not to bend the pins of the control circuit terminal block connector.

5.3.9 Measurement of main circuit voltages, currents and power

Measurement of voltages and currents

Since the voltages and currents on the inverter power supply and output sides include harmonics, accurate measurement depends on the instruments used and circuits measured.

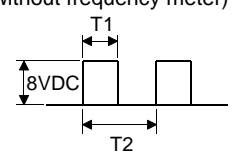
When instruments for commercial frequency are used for measurement, measure the following circuits using the instruments given on the next page.



Typical Measuring Points and Instruments

Note: Use an FFT to measure the output voltage accurately. Accurate measurement cannot be made if you use a tester or general measuring instrument.

Measuring Points and Instruments

Item	Measuring Point	Measuring Instrument	Remarks (Reference Measured Value) *	
Power supply voltage V ₁	Across R-S, S-T and T-R (Across L ₁ -L ₂ , L ₂ -L ₃ and L ₃ -L ₁)	Moving-iron type AC voltmeter	Commercial power supply Within permissible AC voltage fluctuation (Refer to 187 page)	
Power supply side current I ₁	R, S and T line currents (L ₁ , L ₂ and L ₃ line currents)	Moving-iron type AC ammeter		
Power supply side power P ₁	At R, S and T, and across R-S, S-T and T-R (At L ₁ , L ₂ and L ₃ , and across L ₁ -L ₂ , L ₂ -L ₃ and L ₃ -L ₁)	Electrodynamic type single-phase wattmeter	P ₁ = W ₁₁ + W ₁₂ + W ₁₃ (3-wattmeter method)	
Power supply side power factor Pf ₁	Calculate after measuring power supply voltage, power supply side current and power supply side power. $Pf_1 = \frac{P_1}{\sqrt{3} V_1 \times I_1} \times 100\%$			
Output side voltage V ₂	Across U-V, V-W and W-U	Rectifier type AC voltmeter (Note 1) (Not moving-iron type)	Difference between phases is within ±1% of maximum output voltage.	
Output side current I ₂	U, V and W line currents	Moving-iron type AC ammeter (Note 3)	Current should be equal to or less than rated inverter current. Difference between phases is 10% or lower.	
Output side power P ₂	At U, V and W, and across U-V and V-W	Electrodynamic type single-phase wattmeter	P ₂ = W ₂₁ + W ₂₂ 2-wattmeter method (or 3-wattmeter method)	
Output side power factor Pf ₂	Calculate in similar manner to power supply side power factor. $Pf_2 = \frac{P_2}{\sqrt{3} V_2 \times I_2} \times 100\%$			
Converter output	Across P-N (Across + and -)	Moving-coil type (such as tester)	POWER lamp lit 1.35 × V ₁ Maximum 380V (760V) during regenerative operation	
Frequency setting signal	Across 2 (+) -5		0 to 5V/0 to 10VDC	"5" is common.
	Across 1 (+) -5		0 to ±5V/0 to ±10VDC	
Frequency setting power supply	Across 4 (+) -5		4 to 20mADC	"5" is common.
	Across 10 (+) -5		5VDC	
Frequency meter signal	Across 10E (+) -5		10VDC	SD is common.
	Across FM (+) -SD		Approximately 5VDC at maximum frequency (without frequency meter)  Pulse width T1: Adjusted by Pr.900 Pulse cycle T2: Set by Pr.55 (Valid for frequency monitoring only)	
	Across AM (+) -5		Approximately 10VDC at maximum frequency (without frequency meter)	
Start signal	Across STF, STR, RH, RM, RL,		20 to 30VDC when open. ON voltage: 1V or less	
Select signal	JOG, RT, AU, STOP, CS (+) -SD			
Reset	Across RES (+) -SD			
Output stop	Across MRS (+) -SD			
Alarm signal	Across A-C Across B-C	Moving-coil type (such as tester)	Continuity check (Note 2) <At OFF> <At ON> Across A-C: Discontinuity Continuity Across B-C: Continuity Discontinuity	

Note 1. A tester cannot measure accurately.
 2. When Pr. 195 "A, B, C terminal function selection" setting is positive logic.
 3. When the carrier frequency exceeds 5kHz, do not use the instrument since using it may increase eddy-current losses produced in metal parts inside the instrument, leading to burnout.
 In this case, use an approximate effective value type instrument.
 * Values in parentheses are those of the 400V class.

CHAPTER 6

SPECIFICATIONS

This chapter provides the "specifications" of this product.
Always read the instructions before using the equipment.

6.1 Standard Specifications 187

Chapter 1

Chapter 2

Chapter 3

Chapter 4

Chapter 5

Chapter 6

Chapter 7

6.1 Standard Specifications

SPECIFICATIONS

6.1.1 Model specifications

- Japanese version

FR-F520-0.75K to 55K

- NA version

FR-F520-11K to 55K-NA

Type FR-F520-□□K		0.75	1.5	2.2	3.7	5.5	7.5	11	15	18.5	22	30	37	45	55		
Applicable motor capacity (Note 1)	kW	0.75	1.5	2.2	3.7	5.5	7.5	11	15	18.5	22	30	37	45	55		
	HP	1	2	3	5	7.5	10	15	20	25	30	40	50	60	75		
Output	Rated capacity (kVA) (Note 2)		1.5	2.7	3.7	5.7	8.8	11.8	17.1	22.1	26.7	32.4	43.4	53.3	64.8	80.6	
	Continuous current (A)		4.1	7.0	9.6	15	23	31	45	58	70	85	114	140	170	212	
	Overload capacity (Note 3)		120% 60 s, 150% 0.5 s (inverse-time characteristics)														
	Voltage (Note 4)		Three phase, 200V to 220V 50Hz, 200V to 240V 60Hz										Three phase, 200V to 220V 50Hz, 200V to 230V 60Hz				
	Regenerative braking torque	Maximum value/ Permissible duty	15% torque/continuous														
Power supply	Rated input AC voltage, frequency		Three phase, 200V to 220V 50Hz, 200V to 240V 60Hz										Three phase, 200V to 220V 50Hz, 200V to 230V 60Hz				
	Permissible AC voltage fluctuation		170 to 242V 50Hz, 170 to 264V 60Hz										170 to 242V 50Hz, 170 to 253V 60Hz				
	Permissible frequency fluctuation		±5%														
	Power supply system capacity (kVA) (Note 5)	Without DC reactor	2.1	4.0	4.8	8.0	11.5	16	20	27	32	41	52	65	79	99	
		When DC reactor is fitted	1.2	2.6	3.3	5.0	8.1	10	16	19	24	31	41	50	61	74	
Protective structure (JEM 1030)		Enclosed type (IP20) (Note 6)										Open type (IP00)					
Cooling system		Self-cooling	Forced air cooling														
Approx. weight (kg (lbs)), with DU		2.5 (5.5)	3.5 (7.7)	3.5 (7.7)	3.5 (7.7)	6.0 (13.2)	6.0 (13.2)	8.0 (17.6)	13.0 (28.7)	13.0 (28.7)	13.0 (28.7)	21.0 (46.2)	30.0 (66.1)	40.0 (88.2)	55.0 (121.3)		

● **Japanese version, EC version**

FR-F540-0.75K to 55K (-EC)

● **NA version**

FR-F540-11K to 55K-NA

Type FR-F540-□□K	0.75	1.5	2.2	3.7	5.5	7.5	11	15	18.5	22	30	37	45	55		
Applicable motor capacity (kW) (Note 1)	0.75	1.5	2.2	3.7	5.5	7.5	11	15	18.5	22	30	37	45	55		
Output	Rated capacity (kVA) (Note 2)	1.5	2.7	3.7	5.7	8.8	12.2	17.5	22.1	26.7	32.8	43.4	53.3	64.8	80.8	
	Rated current (A)	2.0	3.5	4.8	7.5	11.5	16	23	29	35	43	57	70	85	106	
	Overload current capacity (Note 3)	120% 60 s, 150% 0.5 s (inverse-time characteristics)														
	Voltage (Note 4)	Three phase, 380V to 480V 50Hz/60Hz														
	Regenerative braking torque	Maximum value/Permissible duty	15% torque/continuous													
Power supply	Rated input AC voltage, frequency	Three phase, 380V to 480V 50Hz/60Hz														
	Permissible AC voltage fluctuation	323 to 528V 50Hz/60Hz														
	Permissible frequency fluctuation	±5%														
	Power supply system capacity (kVA) (Note 5)	Without DC reactor	2.1	4.0	4.8	8.0	11.5	16	20	27	32	41	52	65	79	99
		When DC reactor is fitted	1.2	2.6	3.3	5.0	8.1	10	16	19	24	31	41	50	61	74
Protective structure (JEM 1030)	Enclosed type (IP20) (Note 6)										Open type (IP00)					
Cooling system	Self-cooling			Forced air cooling												
Approx. weight (kg (lbs)), with DU	3.0 (6.6)	3.0 (6.6)	3.0 (6.6)	3.0 (6.6)	5.5 (12.1)	6.0 (13.23)	7.0 (15.4)	13.0 (28.66)	13.0 (28.66)	13.0 (28.66)	24.0 (52.91)	24.0 (52.91)	35.0 (77.16)	36.0 (79.37)		

- Note: 1. The applicable motor capacity indicated is the maximum capacity applicable when Mitsubishi 4-pole standard motor is used.
2. The rated output capacity indicated assumes that the output voltage is 220V for the 200V class or 440V for the 400V class.
3. The overload capacity indicated in % is the ratio of the overload current to the inverter's rated current. For repeated duty, allow time for the inverter and motor to return to or below the temperatures under 100% load.
4. The maximum output voltage does not exceed the power supply voltage. The maximum output voltage can be changed within the setting range. However, the pulse voltage value of the inverter output side voltage remains unchanged at about $\sqrt{2}$ that of the power supply.
5. The power supply capacity changes with the values of the power supply side inverter impedances (including those of the input reactor and cables).
6. The open type (IP00) is used when the inboard option is fitted after removal of the option wiring port cover.

6.1.2 Common specifications

Control specifications	Control system		Soft-PWM control/high carrier frequency PWM control (V/F control), Optimum excitation control	
	Output frequency range		0.5 to 120Hz	
	Frequency setting resolution	Analog input	0.015Hz/60Hz (terminal 2 input: 12 bits/0 to 10V, 11 bits/0 to 5V, terminal 1 input: 12 bits/-10 to +10V, 11 bits/-5 to +5V)	
		Digital input	0.01Hz	
	Frequency accuracy		Within $\pm 0.2\%$ of maximum output frequency ($25^{\circ}\text{C} \pm 10^{\circ}\text{C}$ for analog input, within 0.01% of set output frequency for digital input)	
	Voltage/frequency characteristic		Base frequency set as required between 0 and 120Hz. Constant torque or variable torque pattern can be selected.	
	Torque boost		Manual and automatic torque boosts	
	Acceleration/deceleration time setting		0 to 3600 s (acceleration and deceleration can be set individually), linear or S-pattern acceleration/deceleration mode can be selected.	
	DC injection brake		Operation frequency (0 to 120Hz), operation time (0 to 10 s), operation voltage (0 to 30%) variable	
Stall prevention operation level		Operation current level can be set (0 to 150% variable), presence or absence can be selected.		
Operational specifications	Frequency setting signal	Analog input	0 to 5VDC, 0 to 10VDC, 0 to ± 10 VDC, 4 to 20mADC	
		Digital input	3-digit BCD or 12-bit binary using operation panel or parameter unit (when the FR-A5AX option is used)	
	Start signal		Available individually for forward rotation and reverse rotation. Start signal self-holding input (3-wire input) can be selected.	
	Input signals	Multi-speed selection		Up to 7 speeds can be selected. (Each speed can be set between 0 and 120Hz, running speed can be changed during operation from the PU (FR-DU04/FR-PU04).)
		Second acceleration/deceleration time selection		0 to 3600 s (up to two different acceleration and deceleration times can be set individually.)
		Jog operation selection		Provided with jog operation mode select terminal (Note 1)
		Current input selection		Input of frequency setting signal 4 to 20mADC (terminal 4) is selected.
		Selection of automatic restart after an instantaneous power failure		Selection of whether automatic restart is made or not after an instantaneous power failure
		External thermal relay input		Thermal relay contact input when the thermal relay provided externally is used to stop the inverter
		FR-HC connection		Inverter operation enable input and instantaneous power failure detection input
		External DC injection braking start signal		External input for DC injection braking start
		PID control valid		Selection for exercising PID control
		PU-external operation switch-over		External selection between PU and external operation
		PU operation external interlock		External interlock switch-over of PU operation
	Output stop		Instantaneous shut-off of inverter output (frequency, voltage)	
Alarm reset		Alarm retained at the activation of protective function is reset.		
Operation functions		Maximum/minimum frequency setting, frequency jump operation, external thermal relay input selection, polarity reversible operation, automatic restart operation after instantaneous power failure, commercial power supply-inverter switch-over operation, forward/reverse rotation prevention, operation mode selection, PID control, computer link operation (RS-485)		
Output signals	Operating status		5 different signals can be selected from inverter running, up to frequency, instantaneous power failure (undervoltage), frequency detection, second frequency detection, during PU operation, overload alarm, electronic overcurrent protection pre-alarm, zero current detection, PID lower limit, PID upper limit, PID forward/reverse rotation, commercial power supply-inverter switch-over MC1, 2, 3, operation ready, fan fault and fin overheat pre-alarm minor fault. Open collector output.	
	Alarm (inverter trip)		Contact output...change-over contact (230VAC 0.3A, 30VDC 0.3A) Open collector...alarm code (4 bit) output	
	For meter		1 signal can be selected from output frequency, motor current (steady or peak value), output voltage, frequency setting, running speed, converter output voltage (steady or peak value), electronic overcurrent protection load factor, input power, output power, load meter and reference voltage output. Pulse train output (1440 pulses/s/full scale) and analog output (0 to 10VDC).	

Use Pr. 180 to Pr. 186 for selection.

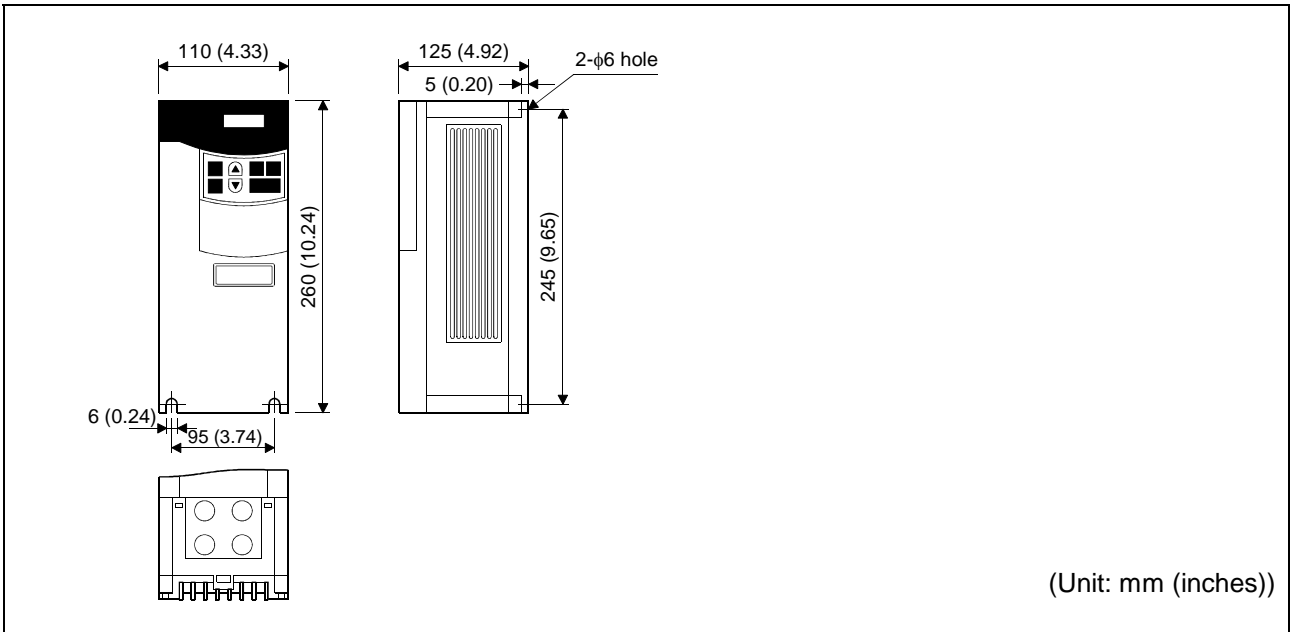
SPECIFICATIONS

Display	PU (FR-DU04 /FR-PU04)	Operating status	Selection can be made from output frequency, motor current (steady or peak value), output voltage, frequency setting, running speed, overload, converter output voltage (steady or peak value), electronic overcurrent protection load factor, input power, output power, load meter, total energization time, actual operation time, total power and motor load factor.
		Alarm definition	Alarm definition is displayed when protective function is activated. 8 alarm definitions are stored. (Four alarm definitions are only displayed on the operation panel.)
	Additional display on parameter unit (FR-PU04) only	Operating status	Input terminal signal states, output terminal signal states, option fitting status, terminal assignment status
		Alarm definition	Output voltage/current/frequency/cumulative ON time immediately before activation of protective function
		Interactive guidance	Operation guide and troubleshooting by help function
Protective/alarm functions			Overcurrent shut-off (during acceleration, deceleration, constant speed), regenerative overvoltage shut-off, undervoltage, instantaneous power failure, overload shut-off (electronic overcurrent protection), ground fault current, output short circuit, main circuit device overheat, stall prevention, overload alarm, heatsink overheat, fan fault, option fault, parameter error, PU disconnection, retry count exceeded, output phase failure, CPU error, 24VDC power output short circuit, operation panel power supply short circuit
Environment	Ambient temperature		-10°C to +50°C (14°F to 122°F) (non-freezing) (-10°C to +40°C (14°F to 104°F) for totally enclosed structure specification attachment FR-A5CV)
	Ambient humidity		90%RH or less (non-condensing)
	Storage temperature (Note 2)		-20°C to +65°C (-4°F to +149°F)
	Ambience		Indoors. (No corrosive and flammable gases, oil mist, dust and dirt.)
	Altitude, vibration		Maximum 1000m (3280.80feet) above sea level for standard operation. After that derate by 3% for every extra 500m (1640.40feet) up to 2500m (8202.00feet) (91%). 5.9 m/s ² or less (conforming to JIS C 0040)

Note: 1. Jog operation may also be performed from the operation panel or parameter unit.
2. Temperature applicable for a short period in transit, etc.

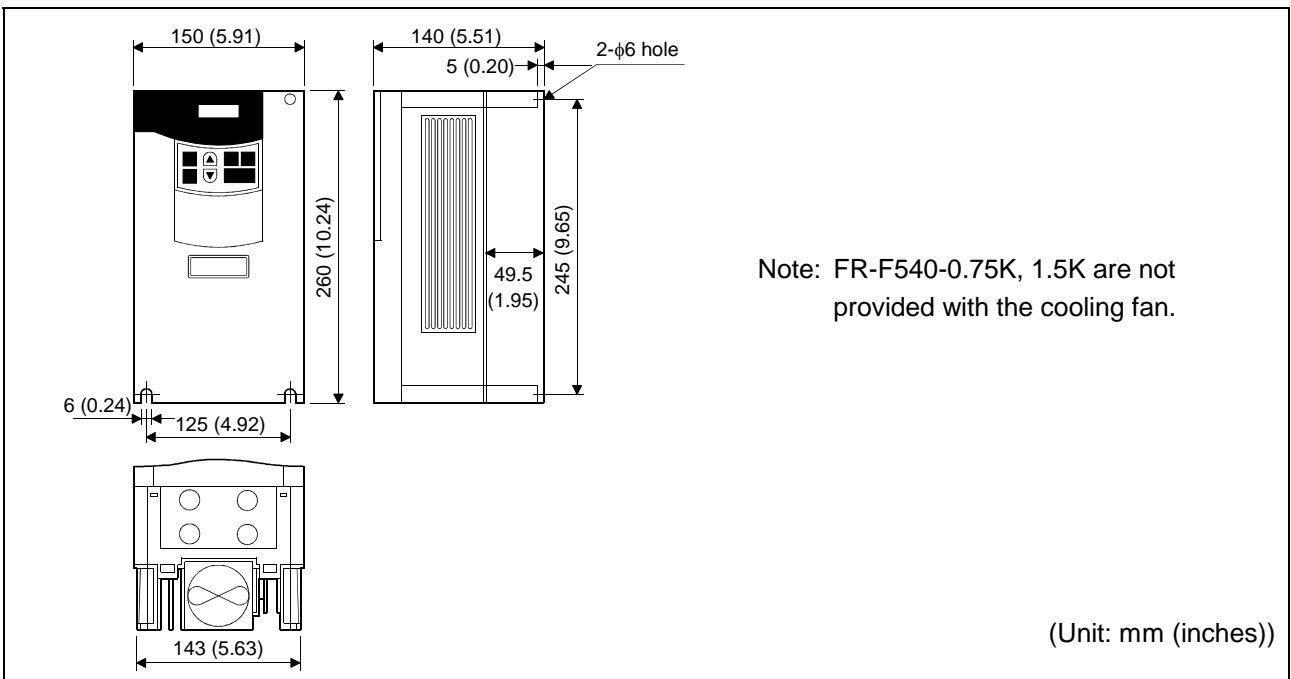
6.1.3 Outline dimension drawings

● **FR-F520-0.75K**



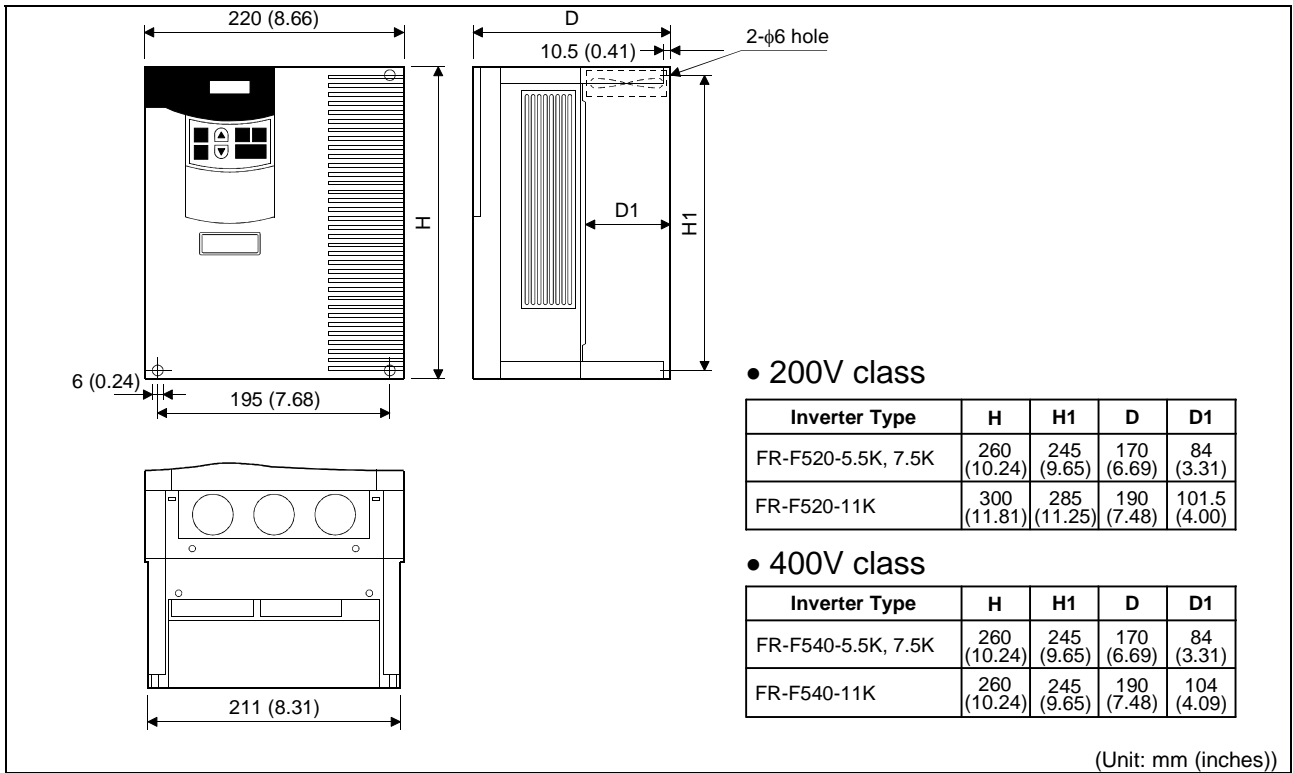
● **FR-F520-1.5K, 2.2K, 3.7K**

● **FR-F540-0.75K, 1.5K, 2.2K, 3.7K**

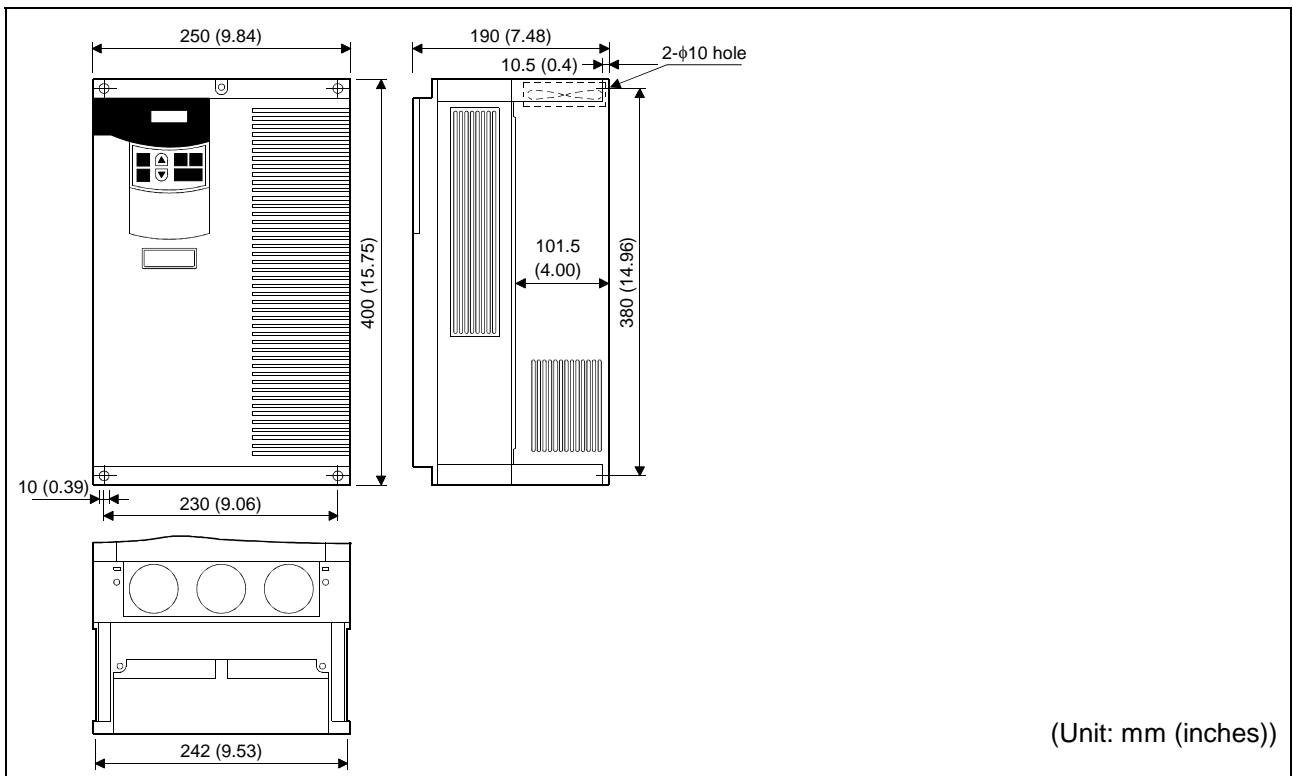


SPECIFICATIONS

- FR-F520-5.5K, 7.5K, 11K
- FR-F540-5.5K, 7.5K, 11K

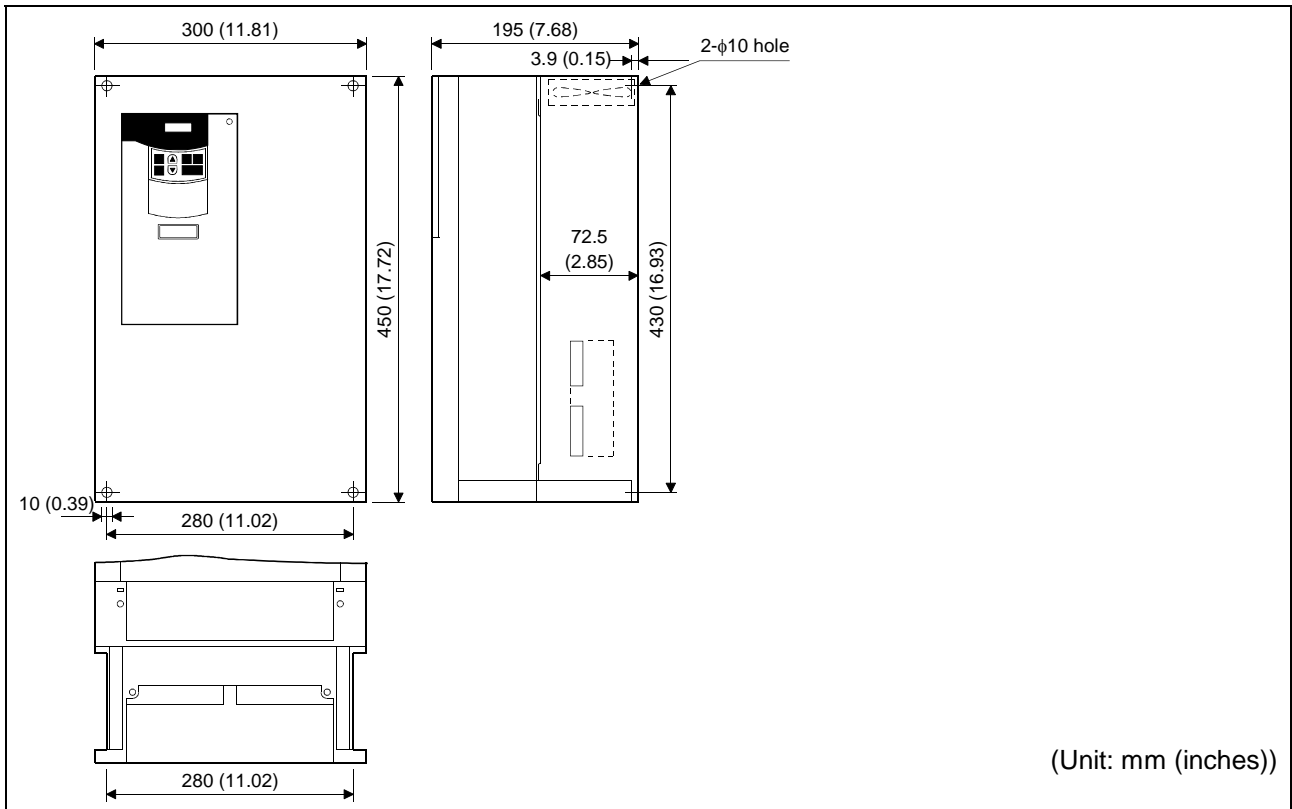


- FR-F520-15K, 18.5K, 22K
- FR-F540-15K, 18.5K, 22K



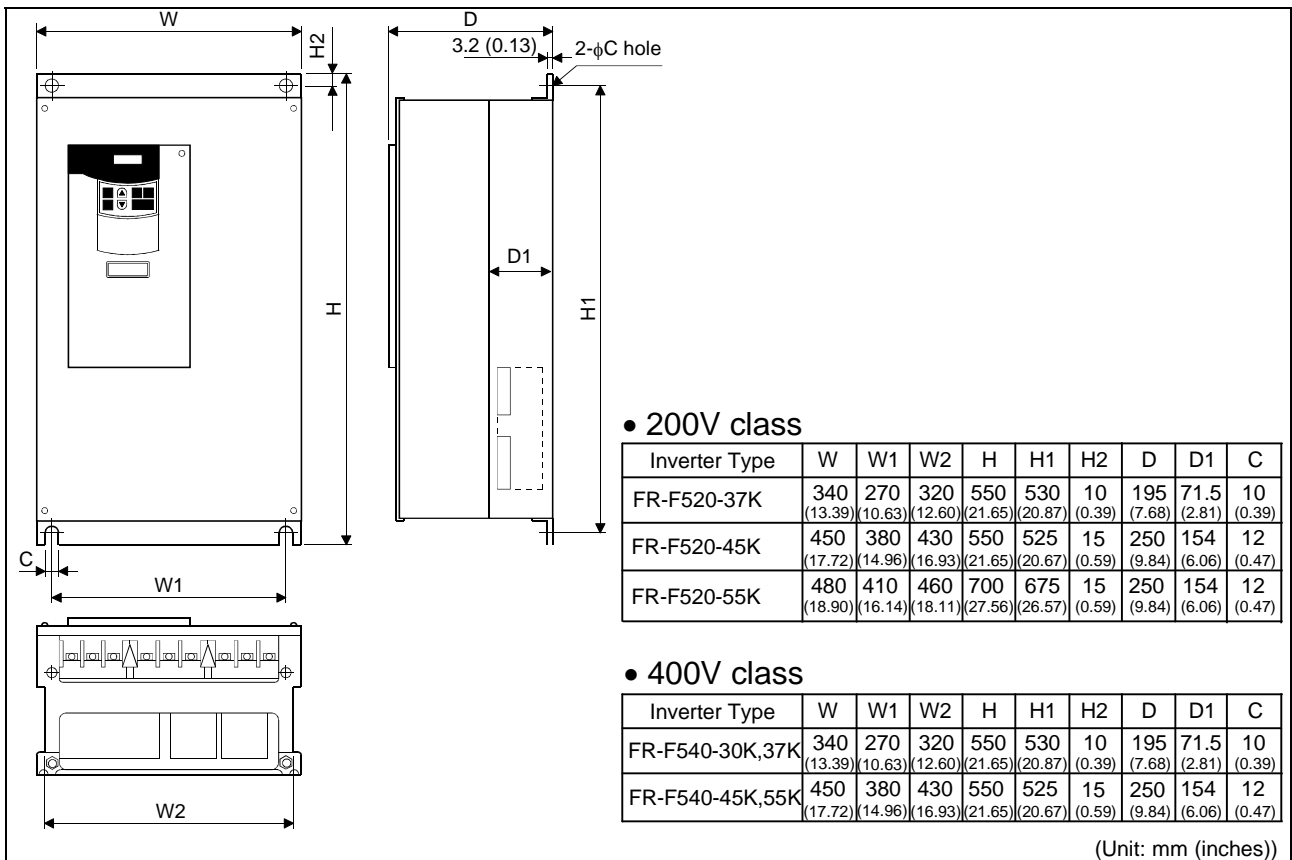
SPECIFICATIONS

● FR-F520-30K



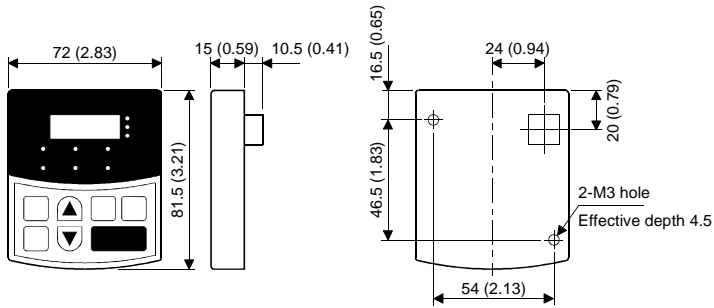
● FR-F520-37K, 45K, 55K

● FR-F540-30K, 37K, 45K, 55K

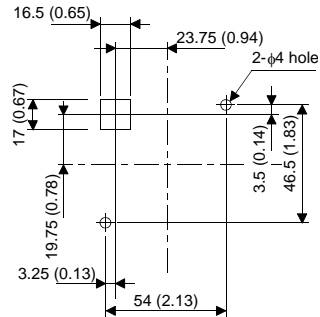


● **Operation panel (FR-DU04)**

<Outline drawing>



<Panel cutting dimension drawing>

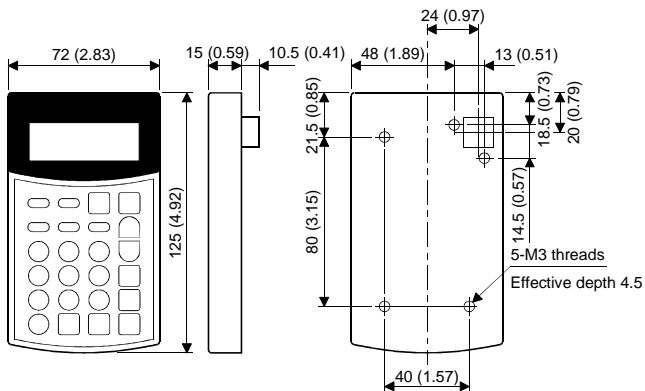


(Unit: mm (inches))

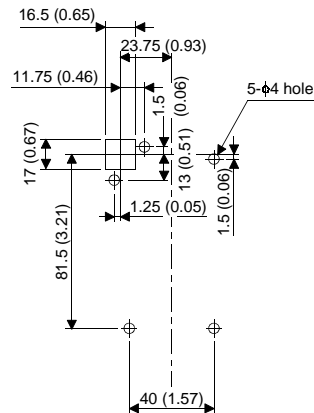
Select the installation screw length which will not exceed the effective installation screw depth.

● **Parameter unit (FR-PU04)**

<Outline drawing>



<Panel cutting dimension drawing>



(Unit: mm (inches))

Select the installation screw length which will not exceed the effective installation screw depth.

CHAPTER 7

OPTIONS

This chapter describes the "options" of this product.
Always read the instructions before using the equipment.

7.1 Option List..... 195

Chapter 1

Chapter 2

Chapter 3

Chapter 4

Chapter 5

Chapter 6

Chapter 7

7.1 Option List

OPTIONS

7.1.1 Stand-alone options

Name	Type	Application, Specifications, etc.	Applicable Inverter
Parameter unit (8 languages)	FR-PU04	Interactive parameter unit using LCD display (For use in Japanese, English, German, French, Spanish, Italian, Swedish and Finnish)	Common to all models
Parameter unit connection cable	FR-CB2□□	Cable for connection of the operation panel or parameter unit.	
Heatsink outside attachment	FR-A5CN□□	Used to place only the heat generating section of the inverter in the back of the control box.	1.5K to 55K, according to capacity
Totally enclosed structure attachment	FR-A5CV□□	By installing this option, the inverter meets the totally enclosed structure specifications (IP40).	0.75K to 22K, according to capacity
Attachment for conduit connection	FR-A5FN□□	Used to connect a conduit directly.	30K to 55K, according to capacity
FR-A100E series installation interchange attachment	FR-A5AT□□	Mounting plate used to make the mounting dimensions identical to those of the FR-A100E series models.	0.75K to 55K, according to capacity
EMC Directive compatible noise filter (Note 3)	SF□□	Noise filter conforming to the EMC Directive (EN50081-2)	0.75K to 55K, according to capacity
Surge voltage suppressing filter	FR-ASF-H□□	Suppresses surge voltages on the inverter output side.	0.75K to 55K, according to capacity
Power factor improving DC reactor	FR-BEL-(H)□□ (Note 1)	Used to improve the inverter input power factor (overall power factor about 95%) and cooperate with the power supply.	0.75K to 55K, according to capacity
Power factor improving AC reactor	FR-BAL-(H)□□ (Note 1)	Used to improve the inverter input power factor (overall power factor about 90%) and cooperate with the power supply.	0.75K to 55K, according to capacity
Radio noise filter	FR-BIF-(H)□□ (Note 1)	For radio noise reduction	Common to all models
Line noise filter	FR-BSF01	For line noise reduction (applies to small capacities of 3.7kW or less)	
	FR-BLF	For line noise reduction	
BU brake unit	BU-1500 to 15K, H7.5K to H30K	Used to improve the braking capability of the inverter (for high-inertia load or negative load).	According to capacity
Brake unit	FR-BU-15K to 55K, H15K to H55K	Used to improve the braking capability of the inverter (for high-inertia load or negative load). Use the brake unit and resistor unit together.	
Resistor unit	FR-BR-15K to 55K, H15K to H55K		
Power regeneration converter	FR-RC-15K to 55K, H15K to H55K	High-function brake unit which can return motor-generated braking energy to the power supply.	
Power regeneration common converter	FR-CV 7.5K to 30K(-AT), 37K, 55K, H7.5K to H30K(-AT), H37K, H55K (Note 5)	High-function unit which can return motor-generated braking energy back to the power supply in common converter system.	
High power factor converter	FR-HC7.5K to 55K, H7.5K to H55K	The high power factor converter switches the converter circuit on-off to convert the input current waveform into a sine wave to suppress harmonics considerably. (Used with the standard accessories.)	

OPTIONS

Name	Type	Application, Specifications, etc.	Applicable Inverter
Manual controller	FR-AX (Note 4)	For independent operation. With frequency meter, frequency setting potentiometer and start switch.	Common to all models
DC tach. follower	FR-AL (Note 4)	For joint operation using external signals. (0 to 5VDC, 0 to 10VDC) (1VA) (Note 2)	
Three speed selector	FR-AT (Note 4)	For three-speed (high, middle, low) switching operation. (1.5VA)	
Motorized speed setter	FR-FK (Note 4)	For remote operation. Allows operation to be controlled from several places. (5VA)	
Ratio setter	FR-FH (Note 4)	For ratio control. Allows ratios to be set to five inverters. (3VA)	
PG follower (Note 4)	FR-FP	For follow-up operation using the signal of a pilot generator (PG). (2VA)	
Master controller (Note 4)	FR-FG	For parallel operation of several (up to 35) inverters. (5VA)	
Soft starter (Note 4)	FR-FC	For soft start and stop. Allows parallel operation and acceleration/deceleration. (3VA)	
Deviation detector (Note 4)	FR-FD	For synchronous operation. Used with a deviation sensor and synchro. (5VA)	
Preamplifier (Note 4)	FR-FA	Can be used as A/V conversion or operational amplifier. (3VA)	
Pilot generator (Note 4)	QVAH-10	For follow-up operation. 70/35VAC 500Hz (at 2500r/min)	
Deviation sensor (Note 4)	YVGC-500W-NS	For synchronous operation (mechanical deviation detection). Output 90VAC/90°	
Frequency setting potentiometer (Note 4)	WA2W 1kΩ	For frequency setting. Wire-wound type. 2W 1KΩ B characteristic.	
Frequency meter (Note 4)	YM206NRI 1mA	Dedicated frequency meter (up to 120Hz scale). Moving-coil DC ammeter.	
Calibration resistor (Note 4)	RV24YN 10kΩ	For calibration of the frequency meter. Carbon-film type. B characteristic.	
Inverter setup software	FR-SW□-SETUP-WE	Supports steps from inverter start-up to maintenance. (WJ is Japanese version.)	

Note: 1. "H" in the type code indicates 400V class. Power supply specifications of FR series controllers and setters: 200VAC 50Hz, 200V/220VAC 60Hz, 115VAC 60Hz.

2. Rated power consumption
3. The intercompatibility attachment (FR-A5AT□□) is required to mount the inverter, with the exception of some models.
4. Options available in Japan only.
5. For the FR-CV (Power Regeneration Common Converter), –AT in the type code indicates a model for installation inside an enclosure. The model without the –AT type code indicates a model with a heatsink outside mounting structure. Since the structure for the 37K or more capacities can be converted into either model by changing the feet positions, –AT is not included in the type code for the 37K or more capacities.

7.1.2 Inboard dedicated options

• Inboard options

Name	Type	Function	
12-bit digital input	FR-A5AX	<ul style="list-style-type: none"> Input interface used to set the inverter frequency accurately using external 3-digit BCD or 12-bit binary-coded digital signals. Gains and offsets can also be adjusted. 	
Digital output	FR-A5AY	<ul style="list-style-type: none"> Among standard output signals of the inverter, this option outputs any 7 selected signals from open collector output terminals. 	
Extension analog output		<ul style="list-style-type: none"> Outputs extra 16 signals which can be monitored on the FM and AM terminals such as output frequency, output voltage and output current, etc. 20mADC or 5V(10V)DC meter can be connected. 	
Relay output	FR-A5AR	<ul style="list-style-type: none"> Among 26 standard output signals of the inverter, this option outputs any 3 selected signals from relay contact output terminals. 	
Auxiliary Control (Note2)	FR-A5AC	<ul style="list-style-type: none"> Eight 120VAC inputs which implement the input terminal functions of the inverter. Two relay outputs which are selected from among standard outputs. 	
Analog input-output function (Note2)	FR-A5AN	<ul style="list-style-type: none"> One isolated 4-20mA input which can set the frequency command to the inverter. Two Isolated 4-20mA outputs which can be connected to an analog meter or other compatible device. 	
Supported communication	Computer link	FR-A5NR	<ul style="list-style-type: none"> Operation/monitoring/parameter change of the inverter can be performed under the control of a user program from a computer, e.g. personal computer or FA controller, connected by a communication cable.
	Relay output		<ul style="list-style-type: none"> Any one output signal can be selected from among the standard output signals of the inverter and output as a relay contact (contactor) signal.
	Profibus DP (Note 3)	FR-A5NP, FR-A5NPA	<ul style="list-style-type: none"> Operation/monitoring/parameter change of the inverter can be performed from a computer or PLC.
	DeviceNet™ (Note 4)	FR-A5ND	
	CC-Link (Note 5)	FR-A5NC	
Modbus Plus (Note 6)	FR-A5NM		

- Note: 1. Three inboard options may be mounted at the same time (the number of the same options mountable is only one, and only one of the communication options may be mounted.)
 2. NA version only.
 3. Profibus is a registered trademark of PROFIBUS User Organization.
 4. DeviceNet™ is a registered trademark of ODVA(Open DeviceNet Vender Association, Inc.).
 5. CC-Link is a registered trademark of CC-Link Partner Association. CC-Link stands for Control & Communication Link.
 6. Modbus plus is a registered trademark of Schneider Electric.

Pr.342 E²PROM write selection (when used with the FR-A5NR or FR-A5NC)

Pr.342 "E²PROM write selection" is valid for computer link operation with an option (FR-A5NR) or CC-Link communication operation with an option (FR-A5NC).

Parameter Number	Factory Setting	Setting Range
342	0	0, 1

Parameter Number	Name	Instruction Code	Data Setting	Description
342	E ² PROM write selection	H2A: Read HAA: Write (When HFF=3)	0	Parameters are written to E ² PROM when parameter write is performed from the master.
			1	Parameters are written to RAM when parameter write is performed from the master.

When write to RAM is set, new parameter settings are cleared at power-off of the inverter. Therefore, when the inverter is powered on again, the parameter settings are the values stored into E²PROM previously.

Note: When changing the parameter values frequently, set "1" in Pr. 342 to write them to RAM. Performing frequent parameter write with "E²PROM write" set will shorten the life of the E²PROM.

APPENDICES

This chapter provides the "appendices" for use of this product.

Always read the instructions before using the equipment.

Appendix 1 Data Code List	198
---------------------------------	-----

Appendix 1 Data Code List

Function	Parameter Number	Name	Data Codes		
			Read	Write	Link Parameter Extension Setting (Instruction code 7F/FF)
Basic functions	0	Torque boost	00	80	0
	1	Maximum frequency	01	81	0
	2	Minimum frequency	02	82	0
	3	Base frequency	03	83	0
	4	Multi-speed setting (high speed)	04	84	0
	5	Multi-speed setting (middle speed)	05	85	0
	6	Multi-speed setting (low speed)	06	86	0
	7	Acceleration time	07	87	0
	8	Deceleration time	08	88	0
Standard operation functions	9	Electronic thermal O/L relay	09	89	0
	10	DC injection brake operation frequency	0A	8A	0
	11	DC injection brake operation time	0B	8B	0
	12	DC injection brake voltage	0C	8C	0
	13	Starting frequency	0D	8D	0
	14	Load pattern selection	0E	8E	0
	15	Jog frequency	0F	8F	0
	16	Jog acceleration/deceleration time	10	90	0
	17	MRS input selection	11	91	0
	19	Base frequency voltage	13	93	0
	20	Acceleration/deceleration reference frequency	14	94	0
	21	Acceleration/deceleration time increments	15	95	0
	22	Stall prevention operation level	16	96	0
	23	Stall prevention operation level compensation factor at double speed	17	97	0
	24	Multi-speed setting (speed 4)	18	98	0
	25	Multi-speed setting (speed 5)	19	99	0
	26	Multi-speed setting (speed 6)	1A	9A	0
	27	Multi-speed setting (speed 7)	1B	9B	0
	28	Multi-speed input compensation	1C	9C	0
	29	Acceleration/deceleration pattern	1D	9D	0
	30	Regenerative function selection	1E	9E	0
	31	Frequency jump 1A	1F	9F	0
	32	Frequency jump 1B	20	A0	0
	33	Frequency jump 2A	21	A1	0
	34	Frequency jump 2B	22	A2	0
	35	Frequency jump 3A	23	A3	0
	36	Frequency jump 3B	24	A4	0
	37	Speed display	25	A5	0
	38	Automatic torque boost	26	A6	0
	39	Automatic torque boost operation starting current	27	A7	0
Output terminal functions	41	Up-to-frequency sensitivity	29	A9	0
	42	Output frequency detection	2A	AA	0
	43	Output frequency detection for reverse rotation	2B	AB	0
Second functions	44	Second acceleration/deceleration time	2C	AC	0
	45	Second deceleration time	2D	AD	0
	46	Second torque boost	2E	AE	0
	47	Second V/F (base frequency)	2F	AF	0
	48	Second stall prevention operation current	30	B0	0
	49	Second stall prevention operation frequency	31	B1	0
	50	Second output frequency detection	32	B2	0
Display functions	52	DU/PU main display data selection	34	B4	0
	53	PU level display data selection	35	B5	0
	54	FM terminal function selection	36	B6	0
	55	Frequency monitoring reference	37	B7	0
	56	Current monitoring reference	38	B8	0
Rated output current	57	Restart coasting time	39	B9	0
	58	Restart cushion time	3A	BA	0

Function	Parameter Number	Name	Data Codes		
			Read	Write	Link Parameter Extension Setting (Instruction code 7F/FF)
Additional function	59	Remote setting function selection	3B	BB	0
Operation selection functions	60	Intelligent mode selection	3C	BC	0
	61	Reference I for intelligent mode	3D	BD	0
	62	Ref. I for intelligent mode accel	3E	BE	0
	63	Ref. I for intelligent mode decel	3F	BF	0
	65	Retry selection	41	C1	0
	66	Stall prevention operation level reduction starting frequency	42	C2	0
	67	Number of retries at alarm occurrence	43	C3	0
	68	Retry waiting time	44	C4	0
	69	Retry count display erasure	45	C5	0
	71	Applied motor	47	C7	0
	72	PWM frequency selection	48	C8	0
	73	0-5V/0-10V selection	49	C9	0
	74	Filter time constant	4A	CA	0
	75	Reset selection/disconnected PU detection/PU stop selection	4B	CB	0
	76	Alarm code output selection	4C	CC	0
77	Parameter write disable selection	4D	CD (Note)	0	
78	Reverse rotation prevention selection	4E	CE	0	
79	Operation mode selection	4F	CF (Note)	0	
5-point flexible V/F characteristics	100	V/F1 (first frequency)	00	80	1
	101	V/F1 (first frequency voltage)	01	81	1
	102	V/F2 (second frequency)	02	82	1
	103	V/F2 (second frequency voltage)	03	83	1
	104	V/F3 (third frequency)	04	84	1
	105	V/F3 (third frequency voltage)	05	85	1
	106	V/F4 (fourth frequency)	06	86	1
	107	V/F4 (fourth frequency voltage)	07	87	1
	108	V/F5 (fifth frequency)	08	88	1
109	V/F5 (fifth frequency voltage)	09	89	1	
Communication functions	117	Communication station number	11	91	1
	118	Communication speed	12	92	1
	119	Stop bit length/data length	13	93	1
	120	Parity check presence/absence	14	94	1
	121	Number of communication retries	15	95	1
	122	Communication check time interval	16	96	1
	123	Waiting time setting	17	97	1
124	CR • LF presence/absence selection	18	98	1	
PID control	128	PID action selection	1C	9C	1
	129	PID proportional band	1D	9D	1
	130	PID integral time	1E	9E	1
	131	Upper limit	1F	9F	1
	132	Lower limit	20	A0	1
	133	PID action set point for PU operation	21	A1	1
134	PID differential time	22	A2	1	
Commercial power supply-inverter switch-over	135	Commercial power supply-inverter switch-over sequence output terminal selection	23	A3	1
	136	MC switch-over interlock time	24	A4	1
	137	Start waiting time	25	A5	1
	138	Commercial power supply-inverter switch-over selection at alarm occurrence	26	A6	1
	139	Automatic inverter-commercial power supply switch-over frequency	27	A7	1

Function	Parameter Number	Name	Data Codes		
			Read	Write	Link Parameter Extension Setting (Instruction code 7F/FF)
Backlash	140	Backlash acceleration stopping frequency	28	A8	1
	141	Backlash acceleration stopping time	29	A9	1
	142	Backlash deceleration stopping frequency	2A	AA	1
	143	Backlash deceleration stopping time	2B	AB	1
Display	144	Speed setting switch-over	2C	AC	1
	145	PU display language selection	2D	AD	1
Additional functions	148	Stall prevention operation level at 0V input	30	B0	1
	149	Stall prevention operation level at 10V input	31	B1	1
Current detection	152	Zero current detection level	34	B4	1
	153	Zero current detection period	35	B5	1
Sub functions	154	Voltage reduction selection during stall prevention operation	36	B6	1
	155	RT activated condition	37	B7	1
	156	Stall prevention operation selection	38	B8	1
	157	OL signal output waiting time	39	B9	1
	158	AM terminal function selection	3A	BA	1
Additional function	160	User group read selection	00	80	2
Restart after instantaneous power failure	162	Automatic restart after instantaneous power failure selection	02	82	2
	163	First cushion time for restart	03	83	2
	164	First cushion voltage for restart	04	84	2
	165	Restart stall prevention operation level	05	85	2
Initial monitor	170	Watt-hour meter clear	0A	8A	2
	171	Actual operation hour meter clear	0B	8B	2
User functions	173	User group 1 registration	0D	8D	2
	174	User group 1 deletion	0E	8E	2
	175	User group 2 registration	0F	8F	2
	176	User group 2 deletion	10	90	2
Terminal assignment functions	180	RL terminal function selection	14	94	2
	181	RM terminal function selection	15	95	2
	182	RH terminal function selection	16	96	2
	183	RT terminal function selection	17	97	2
	184	AU terminal function selection	18	98	2
	185	JOG terminal function selection	19	99	2
	186	CS terminal function selection	1A	9A	2
	190	RUN terminal function selection	1E	9E	2
	191	SU terminal function selection	1F	9F	2
	192	IPF terminal function selection	20	A0	2
	193	OL terminal function selection	21	A1	2
	194	FU terminal function selection	22	A2	2
195	A, B, C terminal function selection	23	A3	2	
Additional function	199	User's initial value setting	27	A7	2

Function	Parameter Number	Name	Data Codes		
			Read	Write	Link Parameter Extension Setting (Instruction code 7F/FF)
Sub function	240	Soft-PWM setting	30	B0	2
	244	Cooling fan operation selection	34	B4	2
Additional function	251	Output phase failure protection selection	3B	BB	2
	252	Override bias	3C	BC	2
	253	Override gain	3D	BD	2
12-bit digital input	300	BCD code input bias	00	80	3
	301	BCD code input gain	01	81	3
	302	Binary input bias	02	82	3
	303	Binary input gain	03	83	3
	304	Selection of whether digital input and analog compensation input are enabled or disabled	04	84	3
	305	Data read timing signal on/off selection	05	85	3
Analog output, digital output	306	Analog output signal selection	06	86	3
	307	Setting for zero analog output	07	87	3
	308	Setting for maximum analog output	08	88	3
	309	Analog output signal voltage/current switch-over	09	89	3
	310	Analog meter voltage output selection	0A	8A	3
	311	Setting for zero analog meter voltage output	0B	8B	3
	312	Setting for maximum analog meter voltage output	0C	8C	3
	313	Y0 output selection	0D	8D	3
	314	Y1 output selection	0E	8E	3
	315	Y2 output selection	0F	8F	3
	316	Y3 output selection	10	90	3
	317	Y4 output selection	11	91	3
	318	Y5 output selection	12	92	3
	319	Y6 output selection	13	93	3
Relay output	320	RA1 output selection	14	94	3
	321	RA2 output selection	15	95	3
	322	RA3 output selection	16	96	3
Computer link function	330	RA output selection	1E	9E	3
	331	Inverter station number	1F	9F	3
	332	Communication speed	20	A0	3
	333	Stop bit length	21	A1	3
	334	Parity check yes/no	22	A2	3
	335	Communication retry count	23	A3	3
	336	Communication check time interval	24	A4	3
	337	Waiting time setting	25	A5	3
	338	Operation command write	26	A6	3
	339	Speed command write	27	A7	3
	340	Link start up mode selection	28	A8	3
	341	CR • LF yes/no selection	29	A9	3
342	E ² PROM write selection	2A	AA	3	

Function	Parameter Number	Name	Data Codes			
			Read	Write	Link Parameter Extension Setting (Instruction code 7F/FF)	
DeviceNet function	345	DeviceNet Address Startup Data (Lower byte)	2D	AD	3	
	346	DeviceNet Baudrate Startup Data (Lower byte)	2E	AE	3	
Advanced PID control functions	500	Auxiliary motor operation	00	80	5	
	501	Motor switch-over selection	01	81	5	
	502	MC switching interlock time	02	82	5	
	503	Start waiting time	03	83	5	
	504	Auxiliary motor connection-time deceleration time	04	84	5	
	505	Auxiliary motor disconnection-time acceleration time	05	85	5	
	506	Output stop detection time	06	86	5	
	507	Output stop detection level	07	87	5	
	508	Output stop cancel process value level	08	88	5	
	509	Auxiliary motor 1 starting frequency	09	89	5	
	510	Auxiliary motor 2 starting frequency	0A	8A	5	
	511	Auxiliary motor 3 starting frequency	0B	8B	5	
	512	Auxiliary motor 1 stopping frequency	0C	8C	5	
	513	Auxiliary motor 2 stopping frequency	0D	8D	5	
	514	Auxiliary motor 3 stopping frequency	0E	8E	5	
515	Auxiliary motor start delay time	0F	8F	5		
516	Auxiliary motor stop delay time	10	90	5		
Calibration functions	900	FM terminal calibration	5C	DC	1	
	901	AM terminal calibration	5D	DD	1	
	902	Frequency setting voltage bias	5E	DE	1	
	903	Frequency setting voltage gain	5F	DF	1	
	904	Frequency setting current bias	60	E0	1	
	905	Frequency setting current gain	61	E1	1	
	990	PU buzzer control	5A	DA	9	
	991	PU contrast adjustment	5B	DB	9	
	—	Second parameter switch-over	6C	EC	—	
	—	Frequency setting	Running frequency (RAM)	6D	ED	—
	—		Running frequency (E ² PROM)	6E	EE	—
	—	Monitor	Frequency monitor	6F	—	—
	—		Output current monitor	70	—	—
	—		Output voltage monitor	71	—	—
	—		Special monitor	72	—	—
	—		Special monitor selection No.	73	F3	—
	—	Alarm display	Most recent No. 1, No. 2/alarm display clear	74	F4	—
	—		Most recent No. 3, No. 4	75	—	—
	—		Most recent No. 5, No. 6	76	—	—
	—		Most recent No. 7, No. 8	77	—	—
	—	Inverter status monitor/run command		7A	FA	—
	—	Operation mode acquisition		7B	FB	—
	—	All clear		—	FC	—
	—	Inverter reset		—	FD	—
	—	Link parameter extension setting		7F	FF	—

Note: Note that read and write of the Pr. 77 and Pr. 79 values are enabled for computer link operation that uses the PU connector, but write is disabled for computer link operation that uses the option (FR-A5NR).

REVISIONS

* The manual number is given on the bottom left of the back cover.

Print Data	*Manual Number	Revision
Dec., 1998	IB(NA)-66868-A	First edition
Mar., 1999	IB(NA)-66868-B	<p>Addition</p> <ul style="list-style-type: none"> • Three-phase, 200V power input specifications
Jul., 2000	IB(NA)-66868-C	<p>Addition</p> <ul style="list-style-type: none"> • FR-F520-11K to 55K-NA • FR-F540-11K to 55K-NA • Advanced PID control (Pr. 500 to Pr. 516) (NA, EC versions only) <p>Modification</p> <ul style="list-style-type: none"> • Alarm displays (E. 6, E. 7) • Instructions for compliance with U.S. and Canadian Electrical Codes • Factory setting of Pr. 9 "electronic thermal O/L relay"
Jan., 2001	IB(NA)-66868-D	<p>Modification</p> <ul style="list-style-type: none"> • Instructions for compliance with U.S. and Canadian Electrical Codes
Mar., 2001	IB(NA)-66868-E	<p>Addition</p> <ul style="list-style-type: none"> • FR-A5AC, FR-A5AN (NA version only) <p>Modification</p> <ul style="list-style-type: none"> • Factory setting of Pr. 509 to Pr. 511
Feb., 2003	IB(NA)-66868-F	<p>Addition</p> <ul style="list-style-type: none"> • FR-A5NPA <p>Modification</p> <ul style="list-style-type: none"> • Advanced PID control (Pr.500 to Pr.516) (NA, EC version only)
Oct., 2003	IB(NA)-66868-G	<p>Modification</p> <ul style="list-style-type: none"> • Error correction

For maximum Safety

- Mitsubishi transistorized inverters are not designed or manufactured to be used in equipment or systems in situations that can affect or endanger human life.
- When considering this product for operation in special applications such as machinery or systems used in passenger transportation, medical, aerospace, atomic power, electric power, or submarine repeating applications, please contact your nearest Mitsubishi sales representative.
- Although this product was manufactured under conditions of strict quality control, you are strongly advised to install safety devices to prevent serious accidents when it is used in facilities where breakdowns of the product are likely to cause a serious accident.
- Please do not use this product for loads other than 3-phase induction motors.