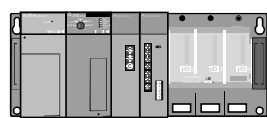
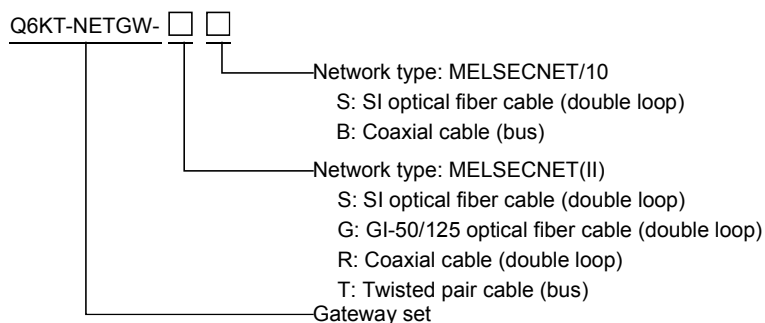


## Components of the MELSECNET(II), MELSECNET/10 gateway set

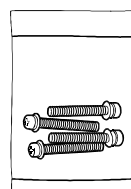
### 1. Components

Module	Accessory	Quantity					
		Set model name Q6KT-NETGW-□□					
		SS	GS	RS	RB	TS	TB
Power supply module	A1S61PN	1					
CPU module	Q2ASCPU	1					
Base unit	A1S35B	1					
	Mounting screw (M5×25mm) 4 pieces						
MELSECNET(II) data link module	A1SJ71AP21	1	-	-	-	-	-
	A1SJ71AP21-S3	-	1	-	-	-	-
	A1SJ71AR21	-	-	1	1	-	-
	A1SJ71AT21B Terminal resistor (110Ω, 1/2W)	-	-	-	-	1	1
MELSECNET/10 network module	A1SJ71QLP21	1	1	1	-	1	-
	A1SJ71QBR11 F-type connector (A6RCON-F)	-	-	-	1	-	1

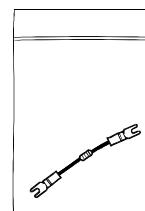
### 2. Set model name



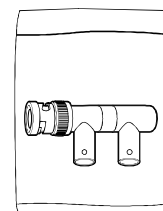
- Base unit (A1S35B)
- MELSECNET/10 network module
- MELSECNET(II) data link module
- CPU module (Q2ASCPU)
- Power supply module (A1S61PN)



Mounting screw  
(M5×25mm) 4 pieces



Terminal resistor



F-type connector

### 3. About Manuals

The following manuals are also related to this product.

Please read the relevant manuals thoroughly before use and handle the product correctly with full attention to the safety.

In necessary, order them by quoting the details in the tables below.

Manual Name	Manual Number (Model code)
Q2AS(H)CPU(S1) User's Manual Describes the performance, functions, and handling of the Q2ASCPU, Q2ASCPU-S1, Q2ASHCPU, and Q2ASHCPU-S1, and the specifications and handling of the power supply, memory card and base unit. (Sold separately)	SH-3599 (13J858)
For QnA/Q4AR MELSECNET/10 Network System Reference Manual Describes the MELSECNET/10 overview, specifications, part names and settings. (Sold separately)	IB-66690 (13JF78)
type MELSECNET, MELSECNET/B Data Link System Reference Manual Describes the MELSECNET(II) and MELSECNET/B overview, specifications, part names and settings. (Sold separately)	IB-66350 (13JF70)