



**MITSUBISHI
ELECTRIC**

CL2XY16-DTP1C5V CC-Link/LT Remote I/O Module

User's Manual (Hardware)

Thank you very much for purchasing this product.

Please read this manual thoroughly before starting to use the product and handle the product properly.

CC-Link/LT

MODEL	CL2XY16-DTP1C5V-U
MODEL CODE	13JP27
IB(NA)-0800260-E(1806)MEE	

● SAFETY PRECAUTIONS ●

(Read these precautions before using this product.)

Before using this product, please read this manual and the relevant manuals carefully and pay full attention to safety to handle the product correctly.

In this manual, the safety precautions are classified into two levels:

"⚠ WARNING" and "⚠ CAUTION".



Indicates that incorrect handling may cause hazardous conditions, resulting in death or severe injury.



Indicates that incorrect handling may cause hazardous conditions, resulting in minor or moderate injury or property damage.

Under some circumstances, failure to observe the precautions given under "⚠ CAUTION" may lead to serious consequences.

Observe the precautions of both levels because they are important for personal and system safety.

Make sure that the end users read this manual and then keep the manual in a safe place for future reference.

[DESIGN PRECAUTIONS]

WARNING

- Refer to Chapter 3 of this manual for the operation status of the module in case a communication error occurs in the data link.
- Output could be switched on or off when a problem occurs in the remote I/O modules. So build an external monitoring circuit that will monitor any output signals that could cause a serious accident.

CAUTION

- Do not have control cables and communication cables bundled with or placed near by the main circuit and/or power cables. Wire those cables at least 100mm(3.94 inch) away from the main circuit and/or power cables. It may cause malfunction due to noise interference.

[INSTALLATION PRECAUTIONS]

CAUTION

- Use the module in an environment that meets the general specifications contained in this manual. Using this module in an environment outside the range of the general specifications could result in electric shock, fire, erroneous operation, and damage to or deterioration of the product.
- Do not directly touch the module's conductive parts. Doing so could cause malfunction or trouble in the module.
- Securely fix the module in place using the DIN rail. If the module is not securely fixed, it may fall off or cause malfunction.

[WIRING PRECAUTIONS]

WARNING

- Perform installation and wiring after disconnecting the power supply at all phases externally. If the power is not disconnected at all phases an electric shock or product damage may result.

CAUTION

- Wire the module correctly upon verifying the product's rated voltage and the connector pin arrangement. Connecting to a power supply different from rating or miss-wiring may cause fire and/or product failure.
- Make sure foreign objects do not get inside the module, such as dirt and wire chips. It may cause fire, product failure or malfunction.

[STARTING AND MAINTENANCE PRECAUTIONS]

WARNING

- Do not touch the connector pins when the power is on. It may cause an electric shock or malfunction.
- Before cleaning the module, be sure to shut off all the phases of the power supply externally. Failure to do so may cause failure or malfunction of the modules.

[STARTING AND MAINTENANCE PRECAUTIONS]

CAUTION

- Do not disassemble or modify the module. Doing so may cause failure, malfunction, injury, or fire.
- The module case is made of resin; do not drop it or subject it to strong shock. A module damage may result.
- Make sure to switch all phases of the external power supply off before installing or removing the module to/from the panel. Failure to do so may cause failure or malfunction of the modules.
- Before touching the module, always touch grounded metal, etc. to discharge static electricity from the human body, etc.
Not doing so can cause the module to fail or malfunction.

[DISPOSAL PRECAUTIONS]

CAUTION

- When disposing of this product, treat it as industrial waste.

● PRÉCAUTIONS DE SÉCURITÉ ●

(Lire ces précautions avant toute utilisation du produit.)

Avant d'utiliser ce produit, lire attentivement ce manuel ainsi que les manuels auxquels il renvoie, et toujours considérer la sécurité comme de la plus haute importance en manipulant le produit correctement.

Dans ce manuel, les précautions de sécurité sont classées en deux niveaux, à savoir : "AVERTISSEMENT" et "ATTENTION"

AVERTISSEMENT

Attire l'attention sur le fait qu'une négligence peut créer une situation de danger avec risque de mort ou de blessures graves.

ATTENTION

Attire l'attention sur le fait qu'une négligence peut créer une situation de danger avec risque de blessures légères ou de gravité moyennes ou risque de dégâts matériels.

Dans certaines circonstances, le non-respect d'une précaution de sécurité introduite sous le titre "ATTENTION" peut avoir des conséquences graves. Les précautions de ces deux niveaux doivent être observées dans leur intégralité car elles ont trait à la sécurité des personnes et aussi du système. Veiller à ce que les utilisateurs finaux lisent ce manuel qui doit être conservé soigneusement à portée de main pour s'y référer autant que de besoin.

[Précautions lors de la conception]

AVERTISSEMENT

- Pour l'état opérationnel du module en cas d'erreur de communication dans la liaison de données, se reporter au Chapitre 3 du présent manuel.
- La sortie pourrait se trouver activée ou désactivée à la survenance d'un problème dans le module E/S distant. On constituera donc un circuit de surveillance externe couvrant tous les signaux de sortie qui pourraient être à l'origine d'un accident grave.

ATTENTION

- Ne pas grouper ni placer à proximité les câbles de commande ou câbles de communication avec les câbles des circuits principaux et/ou d'alimentation. Câbler en plaçant ces câbles à une distance d'au moins 100mm (3,94 pouces) des câbles des circuits principaux ou de l'alimentation. Cela pourrait être à l'origine d'un bruit parasite entraînant des dysfonctionnements.

[Précautions d'installation]

ATTENTION

- *Utiliser le module dans un environnement conforme aux spécifications générales présentées dans ce manuel. L'utilisation de ce module dans un environnement autre que celui prévu dans les spécifications générales peut être à l'origine d'un choc électrique, d'un départ de feu ou d'un dysfonctionnement, ou peut endommager ou détériorer le produit.*
- *Éviter tout contact direct avec les parties conductrices du module. Cela pourrait être à l'origine de dysfonctionnements ou autres problèmes avec le module.*
- *Fixer fermement le module en place sur le rail DIN. Si le module n'est pas fermement fixé, il risque de tomber ou il peut y avoir des dysfonctionnements.*

[Précautions de câblage]

AVERTISSEMENT

- *Effectuer l'installation et le câblage après avoir déconnecté l'alimentation externe sur toutes les phases. Si l'alimentation n'a pas été coupée sur toutes les phases, il y a risque d'électrocution ou d'endommagement du produit.*

ATTENTION

- *Câbler le module correctement après vérification de la tension nominale du produit et de l'affectation des broches de connecteur. Le raccordement d'une alimentation de tension nominale différente ou une erreur de câblage peuvent être à l'origine d'un départ de feu et/ou d'une panne du produit.*
- *Veiller à éviter toute pénétration d'impuretés, copeaux de câblage ou autre corps étranger dans le module. Cela pourrait être à l'origine d'un départ de feu, ou du panne ou d'un dysfonctionnement du produit.*

[Précautions de démarrage et de maintenance]

AVERTISSEMENT

- *Ne pas toucher aux broches de connecteur quand l'appareil est sous tension. Cela pourrait être à l'origine d'un choc électrique ou d'un dysfonctionnement.*
- *Avant de nettoyer le module, vérifier sur l'alimentation externe a bien été coupée sur toutes les phases.
Faute de quoi, il y a risque de panne ou de dysfonctionnement des modules.*

[Précautions de démarrage et de maintenance]

ATTENTION

- *Ne pas démonter ni modifier le module. Cela pourrait être à l'origine de pannes, de dysfonctionnements, de blessures ou d'un départ de feu.*
- *Ne pas faire tomber ou soumettre le module à des chocs car son boîtier en plastique est fragile. Il pourrait en résulter un endommagement du module.*
- *Avant d'installer le module dans le tableau ou de l'en retirer, il est indispensable de couper l'alimentation externe sur toutes les phases. Faute de quoi, il y a risque de panne ou de dysfonctionnement des modules.*
- *Avant de toucher au module, se débarrasser de la charge électrostatique qu'accumule le corps humain en touchant un objet métallique raccordé à la terre.
Faute de quoi, il y a risque de panne ou de dysfonctionnement du module.*

[Précaution de mise au rebut]

ATTENTION

- *Lors de sa mise au rebut, ce produit doit être traité comme un déchet industriel.*

● CONDITIONS OF USE FOR THE PRODUCT ●

(1) Mitsubishi programmable controller ("the PRODUCT") shall be used in conditions;

- i) where any problem, fault or failure occurring in the PRODUCT, if any, shall not lead to any major or serious accident; and
- ii) where the backup and fail-safe function are systematically or automatically provided outside of the PRODUCT for the case of any problem, fault or failure occurring in the PRODUCT.

(2) The PRODUCT has been designed and manufactured for the purpose of being used in general industries.

MITSUBISHI SHALL HAVE NO RESPONSIBILITY OR LIABILITY (INCLUDING, BUT NOT LIMITED TO ANY AND ALL RESPONSIBILITY OR LIABILITY BASED ON CONTRACT, WARRANTY, TORT, PRODUCT LIABILITY) FOR ANY INJURY OR DEATH TO PERSONS OR LOSS OR DAMAGE TO PROPERTY CAUSED BY the PRODUCT THAT ARE OPERATED OR USED IN APPLICATION NOT INTENDED OR EXCLUDED BY INSTRUCTIONS, PRECAUTIONS, OR WARNING CONTAINED IN MITSUBISHI'S USER, INSTRUCTION AND/OR SAFETY MANUALS, TECHNICAL BULLETINS AND GUIDELINES FOR the PRODUCT.

("Prohibited Application")

Prohibited Applications include, but not limited to, the use of the PRODUCT in;

- Nuclear Power Plants and any other power plants operated by Power companies, and/or any other cases in which the public could be affected if any problem or fault occurs in the PRODUCT.
- Railway companies or Public service purposes, and/or any other cases in which establishment of a special quality assurance system is required by the Purchaser or End User.
- Aircraft or Aerospace, Medical applications, Train equipment, transport equipment such as Elevator and Escalator, Incineration and Fuel devices, Vehicles, Manned transportation, Equipment for Recreation and Amusement, and Safety devices, handling of Nuclear or Hazardous Materials or Chemicals, Mining and Drilling, and/or other applications where there is a significant risk of injury to the public or property.

Notwithstanding the above, restrictions Mitsubishi may in its sole discretion, authorize use of the PRODUCT in one or more of the Prohibited Applications, provided that the usage of the PRODUCT is limited only for the specific applications agreed to by Mitsubishi and provided further that no special quality assurance or fail-safe, redundant or other safety features which exceed the general specifications of the PRODUCTS are required. For details, please contact the Mitsubishi representative in your region.

CONTENTS

1. OVERVIEW.....	1
2. SPECIFICATIONS	1
2.1 General Specifications.....	1
2.2 Performance specifications	3
3. PART NAMES.....	5
4. HANDLING PRECAUTIONS	9
5. WIRING.....	10
5.1 External wiring	10
5.2 Connection and wiring of the connector for I/O interface	12
6. EXTERNAL DIMENSIONS	13

1. OVERVIEW

This user's manual explains specifications and names of individual parts of the CL2XY16-DTP1C5V type CC-Link/LT remote I/O module (hereinafter abbreviated as remote I/O module).

2. SPECIFICATIONS

2.1 General Specifications

The General specifications for the remote I/O module are shown in the following table.

Item	Specifications					
Operating ambient temperature <i>Température ambiante de fonctionnement</i>	0 to 55°C 0 à 55 °C					
Storage ambient temperature	-25 to 75°C					
Operating ambient humidity	5 to 95%RH, non-condensing					
Storage ambient humidity						
Vibration resistance	Compliant with JIS B 3502 and IEC 61131-2	Under intermittent vibration	Frequency	Constant acceleration	Half amplitude	Sweep count
			5 to 8.4Hz	—	3.5mm	10 times each in X, Y, Z directions
		Under continuous vibration	8.4 to 150Hz	9.8m/s ²	—	
			5 to 8.4Hz	—	1.75mm	—
8.4 to 150Hz	4.9m/s ²	—				
Shock resistance	Compliant with JIS B 3502 and IEC 61131-2 (147 m/s ² , 3 times each in 3 directions X, Y, Z)					
Operating atmosphere	No corrosive gases					
Operating altitude	0 to 2000m					
Installation location	Inside a control panel *3					
Overvoltage category *1	II or less					
Pollution degree *2	2 or less					

- *1 This indicates the section of the power supply to which the equipment is assumed to be connected between the public electrical power distribution network and the machinery within premises. Category II applies to equipment for which electrical power is supplied from fixed facilities. The surge voltage withstand level for up to the rated voltage of 300 V is 2500 V.
- *2 This index indicates the degree to which conductive material is generated in terms of the environment in which the equipment is used. Pollution level 2 is when only non-conductive pollution occurs. A temporary conductivity caused by condensing must be expected occasionally.
- *3 It can also be used in an environment other than on the control panel if the conditions such as usage ambient temperature and humidity are satisfied.

2.2 Performance specifications

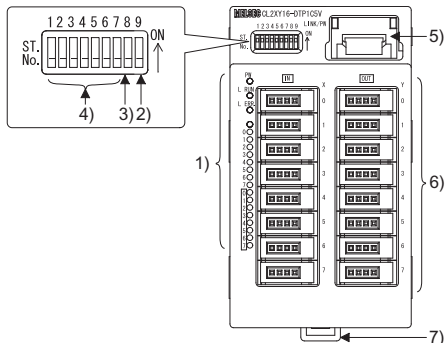
The performance specifications for the remote I/O module are shown in the following table.

Type		CL2XY16-DTP1C5V					
Input specifications			Output specifications				
Number of inputs		8 points		Number of outputs		8 points	
Isolation method		Photocoupler isolation		Isolation method		Photocoupler isolation	
Rated load voltage		24V DC (Common with the module power supply)		Rated load voltage		24V DC (Common with the module power supply)	
Rated input current		Approx. 4mA		Max. load current		0.1A/point 0.8A/1 common	
Max. simultaneous ON input points		100%		Max. inrush current		0.7A 10ms or lower	
ON voltage/ON current		19V or more/3mA or more		Leakage current at OFF		0.1mA or lower	
OFF voltage/OFF current		11V or lower/1.7mA or lower		Voltage drop at ON		0.3V or lower (TYP.) 0.1A, 0.6V or lower (MAX.) 0.1A	
Input resistance		5.6kΩ		Output method		Sink type	
Protect function		-		Protect function		Overload protection function ,Overheat protection function	
Response time	Response time setting	0.5ms (High speed response type)	1.5ms (Standard type)	1.5ms (Standard type)	OFF →ON	0.5ms or lower	
	OFF →ON	TYP. 0.05ms	-				
	ON→ OFF	MAX. 0.1ms	1.5ms				
	ON→ OFF	TYP. 0.2ms	-		ON→ OFF	0.5ms or lower (Resistive load)	
Input method		Positive common		Surge suppression		Zener diode	
Common wiring method		8 points/1 common (sensor connector 3-wire type)		Common wiring method		8 points/1 common (sensor connector 2-wire type)	
Number of stations occupied		In 4-point mode: Occupies 2 stations In 8 or 16-point mode: Occupies 1 station					
Module power supply	Voltage	24V DC (-15 to +20%) (ripple ratio : within 5%)					
	Current consumption	50mA or lower (When 24V DC and all point is on)					
	Current on startup	90mA or lower (24V DC)					
Noise durability		DC type noise voltage 500Vp-p, noise width 1μs, noise carrier frequency 25 to 60Hz (noise simulator condition) First transient/noise burst IEC 61000-4-4 : 1kV					

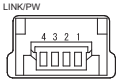
Item \ Type	CL2XY16-DTP1C5V
Withstand voltage	500V AC for 1 minute between primary (external DC terminal) and secondary (internal circuit)
Insulation resistance	10M Ω or more between primary (external DC terminal) and secondary (internal circuit) when measured with a 500V DC insulation resistance tester
Protection class	IP2X
Weight	0.08kg
I/O part connection method	Open sensor connector (e-CON) \times 16 (Connector plugs are sold separately (compatible wire size: 0.08 to 0.5 mm ² , depending on the connector plug used). Refer to the CC-Link/LT Catalog.)
Module installation method	DIN rail installation, Can be installed in six directions

3. PART NAMES

This section explains the names of the components for the remote I/O module.



Connector for I/O interface <i>Connecteur pour interface E/S</i>		Pin No. <i>Broche N°</i>	Signal name <i>Nom de signal</i>	Pin No. <i>Broche N°</i>	Signal name <i>Nom de signal</i>	Pin No. <i>Broche N°</i>	Signal name <i>Nom de signal</i>	Pin No. <i>Broche N°</i>	Signal name <i>Nom de signal</i>
	C	1	+24V	C	1	+24V	C	1	+24V
	O	2	+V	O	2	+V	O	2	NC
	N	3	24G	N	3	24G	N	3	NC
	1	4	X0	5	4	X4	9	4	Y0
	C	1	+24V	C	1	+24V	C	1	+24V
	O	2	+V	O	2	+V	O	2	NC
	N	3	24G	N	3	24G	N	3	NC
	2	4	X1	6	4	X5	10	4	Y1
	C	1	+24V	C	1	+24V	C	1	+24V
	O	2	+V	O	2	+V	O	2	NC
	N	3	24G	N	3	24G	N	3	NC
	3	4	X2	7	4	X6	11	4	Y2
	C	1	+24V	C	1	+24V	C	1	+24V
	O	2	+V	O	2	+V	O	2	NC
	N	3	24G	N	3	24G	N	3	NC
	4	4	X3	8	4	X7	12	4	Y3

Connector for CC-Link/LT interface <i>Connecteur pour interface CC-Link/LT</i>	Pin No. <i>Broche N°</i>	Signal name <i>Nom de signal</i>
	1	+24V
	2	DA
	3	DB
	4	24G

No.	Item	Description																								
1)	Operating status indicator LEDs	LED name	Confirmation details																							
		PW	On: Power supply on. Off: The power supply is turned off or the voltage drop is too large.																							
		L RUN	On: Normal communication. Off: Communication cutoff (time expiration error).																							
		L ERR.	On: Indicates that a communication data error has occurred or the setting switch is outside the allowable range. Flicker at regular intervals: Indicates that the setting switch has been changed while current is being conducted. (The module continues to operate even while the LED is flickering. The changed settings will be reflected when the power has been restored.) Flicker at irregular intervals: Indicates that the terminal resistor is left unconnected or that the module or connection cable are affected by noise. Off: Normal communication.																							
		0 to 7	Displays the ON/OFF status of the input (turned on in the ON status and turned off in the OFF status).																							
		<input type="checkbox"/> 0 to <input type="checkbox"/> 7	Displays the ON/OFF status of the output (turned on in the ON status and turned off in the OFF status).																							
2)	Output hold setting switch * (SW9)	Specifies whether to maintain or turn off the output of the remote I/O module in case the communication stops. The switch is set to OFF at shipment from the factory. ON: Maintain output OFF: Turn output off																								
3)	Response time setting switch * (SW8)	Set the response time (OFF→ON/ON→OFF time) of the remote I/O module. OFF is set as default (factory-set). Noise may be taken in as input, if high speed response type is set. Be sure to set response time in consideration of the environment. ON: 0.5ms (High speed response type) OFF: 1.5ms (Standard type)																								
4)	Station number setting switches * (SW1 to 7)	<p>Select "10", "20" or "40" to set the ten's place of the station number. Select "1", "2", "4" or "8" to set the one's place of the station number. All switches are set to OFF at shipment from the factory. Always set the station number within the range of 1 to 64. A setting error occurs and "L ERR." LED flickers if the value outside the range 1 to 64 is set. (Example) Set the switches as below when setting the station number to 32:</p> <table border="1"> <thead> <tr> <th rowspan="2">Station number</th> <th colspan="3">Ten's place</th> <th colspan="4">One's place</th> </tr> <tr> <th>40 (SW1)</th> <th>20 (SW2)</th> <th>10 (SW3)</th> <th>8 (SW4)</th> <th>4 (SW5)</th> <th>2 (SW6)</th> <th>1 (SW7)</th> </tr> </thead> <tbody> <tr> <td>32</td> <td>OFF</td> <td>ON</td> <td>ON</td> <td>OFF</td> <td>OFF</td> <td>ON</td> <td>OFF</td> </tr> </tbody> </table>		Station number	Ten's place			One's place				40 (SW1)	20 (SW2)	10 (SW3)	8 (SW4)	4 (SW5)	2 (SW6)	1 (SW7)	32	OFF	ON	ON	OFF	OFF	ON	OFF
Station number	Ten's place				One's place																					
	40 (SW1)	20 (SW2)	10 (SW3)	8 (SW4)	4 (SW5)	2 (SW6)	1 (SW7)																			
32	OFF	ON	ON	OFF	OFF	ON	OFF																			

No.	Item	Description
5)	Connector for CC-Link/LT interface	Connector for connecting the CC-Link/LT communication line, module power supply and load power supply.
6)	Connector for I/O interface	Sensor connector for connecting output signals.
7)	Hook for DIN rail	Hook for installing the module on a DIN rail.

*Set up using a slotted screwdriver with a tip width of 0.9 mm or less.

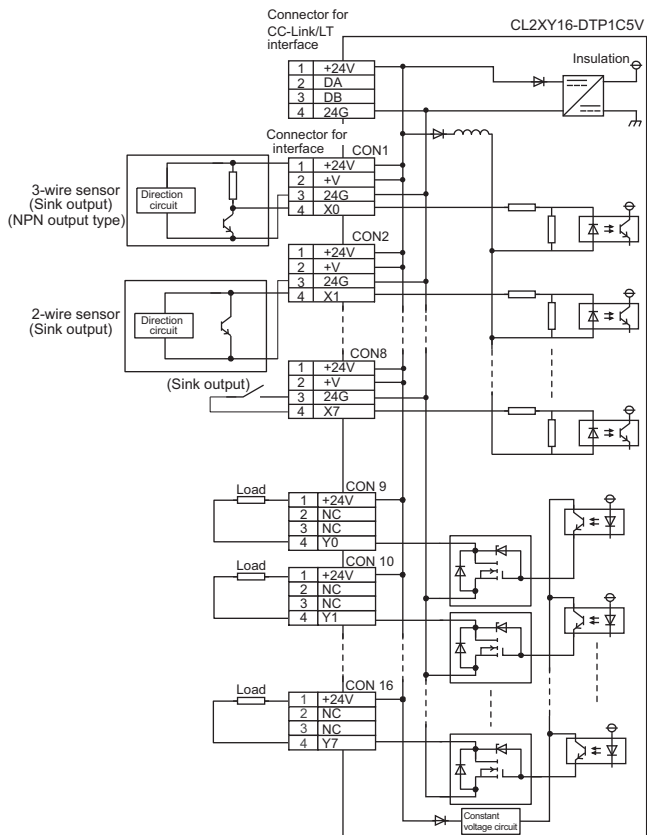
4. HANDLING PRECAUTIONS

- (1) When using a DIN rail, attach the DIN rail after taking the following items into consideration:
 - (a) Applicable DIN rail types (conform to JIS C 2812)
 - TH35-7.5Fe
 - TH35-7.5Al
 - (b) Interval between the DIN rail's installation screws
 - Tighten the screws using a pitch of 200mm (7.87in.) or less when attaching a DIN rail.
- (2) To attach the remote I/O module to the DIN rail, press the centerline area of the DIN rail hook beneath the module until a click is heard.
- (3) When installing the remote I/O module into a panel, etc., provide 15mm (0.59 in.) or more of space between the top and bottom of the module and other structures or parts so that good ventilation and ease of operation when exchanging modules can be secured.

5. WIRING

5.1 External wiring

Câblage externe



English	French
Connector for CC-Link/LT interface	<i>Connecteur pour interface CC-Link/LT</i>
Insulation	<i>Isolation</i>
Connector for interface	<i>Connecteur pour interface</i>
3-wire sensor(Sink output)(NPN output type)	<i>Capteur 3-fils(Sortie dissipateur)(type de sortie NPN)</i>
2-wire sensor(Sink output)	<i>Capteur fil-2(Sortie dissipateur)</i>
Direction circuit	<i>Circuit à direction</i>
(Sink output)	<i>(Sortie dissipateur)</i>
Load	<i>Charge</i>
Constant voltage circuit	<i>Circuit à tension constante</i>

All +24V pin are connected within the module (common).

The module power and load power are supplied via the power adapter.

Toutes les broches +24V sont connectées à l'intérieur du module (commun).

L'alimentation du module et l'alimentation de la charge se font via l'adaptateur d'alimentation.

5.2 Connection and wiring of the connector for I/O interface

Wire the connector for I/O Interface according to the following procedure:

- (1) Verify that the plug cover is installed in the plug unit.

Caution: Do not push the plug cover into the plug unit before the cable is inserted.

Once a plug is pressure-displaced, it can no longer be reused.

- (2) Insert the cable^{*1} until it makes contact with the plug unit.

*1 Keep the current within the allowable range of the connected cable.

Point

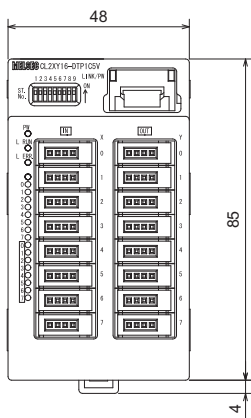
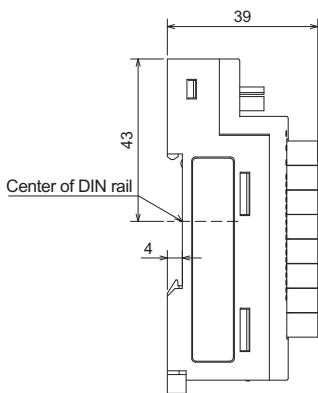
- When inserting the cable, confirm that it has been inserted completely. If the cable is not inserted completely, it may cause contact failures.
- If the cross section of the cable is not round, the cable cannot be inserted smoothly. Cut the cable tip using pliers, etc., and make it as round as possible, then insert it.
- When inserting the cable, the cable may stick out from the front of the cover. In such a case, pull the cable backward so that the tip of the cable stays within the plug cover.

- (3) Using a pliers or special tool, push the plug cover into the plug unit, and pressure-displace it. After performing pressure displacement, verify that the plug cover is securely attached to the plug unit, as shown in the figure at right.

Point

While performing pressure displacement, the plug cover may rise because it is not latched against the plug unit correctly. This condition indicates that pressure displacement is incomplete. Push the plug cover until it is securely installed in the plug unit.

6. EXTERNAL DIMENSIONS



Unit: mm

WARRANTY

Mitsubishi will not be held liable for damage caused by factors found not to be the cause of Mitsubishi; machine damage or lost profits caused by faults in the Mitsubishi products; damage, secondary damage, accident compensation caused by special factors unpredictable by Mitsubishi; damages to products other than Mitsubishi products; and to other duties.

Country/ Region	Sales office/ Tel	Country/ Region	Sales office/ Tel
USA	MITSUBISHI ELECTRIC AUTOMATION, INC. 500 Corporate Woods Parkway, Vernon Hills, IL 60061, U.S.A. Tel : +1-847-478-2100	Turkey	MITSUBISHI ELECTRIC TURKEY A.Ş Ümraniye Branch Serifali Mahallesi Nutuk Sokak No:5, TR-34775 Ümraniye/Istanbul, Turkey Tel : +90-216-526-3990
Mexico	MITSUBISHI ELECTRIC AUTOMATION, INC. Mexico Branch Mariano Escobedo #69, Col. Zona Industrial, Tlalpan/Edo. Mexico, C.P.54030 Tel : +52-55-3067-7500	UAE	MITSUBISHI ELECTRIC EUROPE B.V. Dubai Branch Dubai Silicon Oasis, P.O.BOX 341241, Dubai, U.A.E. Tel : +971-4-3724716
Brazil	MITSUBISHI ELECTRIC DO BRASIL COMÉRCIO E SERVIÇOS LTDA. Avenida Adelinno Cardana, 293, 21 andar, Bethaville, Barueri SP, Brazil Tel : +55-11-4689-3000	South Africa	ADROIT TECHNOLOGIES 20 Waterford Office Park, 189 Witkoppen Road, Fourways, South Africa Tel : +27-11-658-8100
Germany	MITSUBISHI ELECTRIC EUROPE B.V. German Branch Mitsubishi-Electric-Platz 1, 40882 Ratingen, Germany Tel : +49-2102-496-0	China	MITSUBISHI ELECTRIC AUTOMATION (CHINA) LTD. No.1386 Hongqiao Road, Mitsubishi Electric Automation Center, Shanghai, China Tel : +86-21-2322-3030
UK	MITSUBISHI ELECTRIC EUROPE B.V. UK Branch Travellers Lane, Hatfield, Hertfordshire, AL10 8XB, U.K. Tel : +44-1707-28-8780	Taiwan	SETSUYO ENTERPRISE CO., LTD. 6F, No.105, Wugong 3rd Road, Wugu District, New Taipei City 24889, Taiwan Tel : +886-2-2299-2499
Ireland	MITSUBISHI ELECTRIC EUROPE B.V. Irish Branch Westgate Business Park, Ballymount, Dublin 24, Ireland Tel : +353-1-4198800	Korea	MITSUBISHI ELECTRIC AUTOMATION KOREA CO., LTD. 7F-9F, Gangseo Hangang Xi-tower A, 401, Yangcheon-ro, Gangseo-Gu, Seoul 07528, Korea Tel : +82-2-3660-9530
Italy	MITSUBISHI ELECTRIC EUROPE B.V. Italian Branch Centro Direzionale Colleoni-Palazzo Sirio Viale Colleoni 7, 20864 Agrate Brianza(Milano) Italy Tel : +39-039-60531	Singapore	MITSUBISHI ELECTRIC ASIA PTE. LTD. 307, Alexandra Road, Mitsubishi Electric Building, Singapore 159943 Tel : +65-6473-2308
Spain	MITSUBISHI ELECTRIC EUROPE, B.V. Spanish Branch Carretera de Rubí, 76-80-Apdo. 420, 08190 Sant Cugat del Vallés (Barcelona), Spain Tel : +34-935-65-3131	Thailand	MITSUBISHI ELECTRIC FACTORY AUTOMATION (THAILAND) CO., LTD. 12th Floor, SV City Building, Office Tower 1, No. 896/19 and 20 Rama 3 Road, Kwaeng Bangpompang, Khet Yannawa, Bangkok 10120, Thailand Tel : +66-2682-6522
France	MITSUBISHI ELECTRIC EUROPE B.V. French Branch 25, Boulevard des Bouvets, 92741 Nanterre Cedex, France Tel : +33-1-55-68-55-68	Vietnam	MITSUBISHI ELECTRIC VIETNAM COMPANY LIMITED Hanoi Branch 6th Floor, Detech Tower, 8 Ton That Thuyet Street, My Dinh 2 Ward, Nam Tu Liem District, Hanoi, Vietnam Tel : +84-4-3937-8075
Czech Republic	MITSUBISHI ELECTRIC EUROPE B.V. Czech Branch Avenir Business Park, Radlicka 751/113e, 158 00 Praha5, Czech Republic Tel : +420-251-551-470	Indonesia	PT. MITSUBISHI ELECTRIC INDONESIA Gedung Jaya 11th Floor, JL. Mh. Thamrin No.12, Jakarta Pusat 10340, Indonesia Tel : +62-21-3192-6461
Poland	MITSUBISHI ELECTRIC EUROPE B.V. Polish Branch ul. Krakowska 50, 32-083 Balice, Poland Tel : +48-12-347-65-00	India	MITSUBISHI ELECTRIC INDIA PVT. LTD. Pune Branch Emerald House, EL-3, J Block, M.I.D.C., Bhosari, Pune-411026, Maharashtra, India Tel : +91-20-2710-2000
Sweden	MITSUBISHI ELECTRIC EUROPE B.V. (Scandinavia) Fjellevägen 8, SE-22736 Lund, Sweden Tel : +46-8-625-10-00	Australia	MITSUBISHI ELECTRIC AUSTRALIA PTY. LTD. 348 Victoria Road, P.O. Box 11, Rydalmere, N.S.W 2116, Australia Tel : +61-2-9684-7777
Russia	MITSUBISHI ELECTRIC (RUSSIA) LLC St. Petersburg Branch Piskarevsky pr. 2, bld 2, lit "Sch", BC "Benuea", office 720; 195027 St. Petersburg, Russia Tel : +7-812-633-3497		

MITSUBISHI ELECTRIC CORPORATION

HEAD OFFICE : TOKYO BUILDING, 2-7-3 MARUNOUCHI, CHIYODA-KU, TOKYO 100-8310, JAPAN
NAGOYA WORKS : 1-14, YADA-MINAMI 5-CHOME, HIGASHI-KU, NAGOYA, JAPAN

When exported from Japan, this manual does not require application to the Ministry of Economy,
Trade and Industry for service transaction permission.

Specifications subject to change without notice.