



Mitsubishi Industrial Robot

CR750-Q/CR751-Q Controller

RV-2F-Q Series

Standard Specifications Manual

Safety Precautions

Always read the following precautions and the separate "Safety Manual" before starting use of the robot to learn the required measures to be taken.

-  **CAUTION** All teaching work must be carried out by an operator who has received special training. (This also applies to maintenance work with the power source turned ON.)
Enforcement of safety training
-  **CAUTION** For teaching work, prepare a work plan related to the methods and procedures of operating the robot, and to the measures to be taken when an error occurs or when restarting. Carry out work following this plan. (This also applies to maintenance work with the power source turned ON.)
Preparation of work plan
-  **WARNING** Prepare a device that allows operation to be stopped immediately during teaching work. (This also applies to maintenance work with the power source turned ON.)
Setting of emergency stop switch
-  **CAUTION** During teaching work, place a sign indicating that teaching work is in progress on the start switch, etc. (This also applies to maintenance work with the power source turned ON.)
Indication of teaching work in progress
-  **DANGER** Provide a fence or enclosure during operation to prevent contact of the operator and robot.
Installation of safety fence
-  **CAUTION** Establish a set signaling method to the related operators for starting work, and follow this method.
Signaling of operation start
-  **CAUTION** As a principle turn the power OFF during maintenance work. Place a sign indicating that maintenance work is in progress on the start switch, etc.
Indication of maintenance work in progress
-  **CAUTION** Before starting work, inspect the robot, emergency stop switch and other related devices, etc., and confirm that there are no errors.
Inspection before starting work

The points of the precautions given in the separate "Safety Manual" are given below. Refer to the actual "Safety Manual" for details.

- ⚠ DANGER** When automatic operation of the robot is performed using multiple control devices (GOT, programmable controller, push-button switch), the interlocking of operation rights of the devices, etc. must be designed by the customer.
- ⚠ CAUTION** Use the robot within the environment given in the specifications. Failure to do so could lead to a drop or reliability or faults. (Temperature, humidity, atmosphere, noise environment, etc.)
- ⚠ CAUTION** Transport the robot with the designated transportation posture. Transporting the robot in a non-designated posture could lead to personal injuries or faults from dropping.
- ⚠ CAUTION** Always use the robot installed on a secure table. Use in an instable posture could lead to positional deviation and vibration.
- ⚠ CAUTION** Wire the cable as far away from noise sources as possible. If placed near a noise source, positional deviation or malfunction could occur.
- ⚠ CAUTION** Do not apply excessive force on the connector or excessively bend the cable. Failure to observe this could lead to contact defects or wire breakage.
- ⚠ CAUTION** Make sure that the workpiece weight, including the hand, does not exceed the rated load or tolerable torque. Exceeding these values could lead to alarms or faults.
- ⚠ WARNING** Securely install the hand and tool, and securely grasp the workpiece. Failure to observe this could lead to personal injuries or damage if the object comes off or flies off during operation.
- ⚠ WARNING** Securely ground the robot and controller. Failure to observe this could lead to malfunctioning by noise or to electric shock accidents.
- ⚠ CAUTION** Indicate the operation state during robot operation. Failure to indicate the state could lead to operators approaching the robot or to incorrect operation.
- ⚠ WARNING** When carrying out teaching work in the robot's movement range, always secure the priority right for the robot control. Failure to observe this could lead to personal injuries or damage if the robot is started with external commands.
- ⚠ CAUTION** Keep the jog speed as low as possible, and always watch the robot. Failure to do so could lead to interference with the workpiece or peripheral devices.
- ⚠ CAUTION** After editing the program, always confirm the operation with step operation before starting automatic operation. Failure to do so could lead to interference with peripheral devices because of programming mistakes, etc.
- ⚠ CAUTION** Make sure that if the safety fence entrance door is opened during automatic operation, the door is locked or that the robot will automatically stop. Failure to do so could lead to personal injuries.
- ⚠ CAUTION** Never carry out modifications based on personal judgments, or use non-designated maintenance parts. Failure to observe this could lead to faults or failures.

 **WARNING**

When the robot arm has to be moved by hand from an external area, do not place hands or fingers in the openings. Failure to observe this could lead to hands or fingers catching depending on the posture.

 **CAUTION**

Do not stop the robot or apply emergency stop by turning the robot controller's main power OFF. If the robot controller main power is turned OFF during automatic operation, the robot accuracy could be adversely affected. Moreover, it may interfere with the peripheral device by drop or move by inertia of the arm.

 **CAUTION**

Do not turn off the main power to the robot controller while rewriting the internal information of the robot controller such as the program or parameters. If the main power to the robot controller is turned off while in automatic operation or rewriting the program or parameters, the internal information of the robot controller may be damaged.

 **DANGER**

Do not connect the Handy GOT when using the GOT direct connection function of this product. Failure to observe this may result in property damage or bodily injury because the Handy GOT can automatically operate the robot regardless of whether the operation rights are enabled or not.

 **DANGER**

Do not connect the Handy GOT to a programmable controller when using an iQ Platform compatible product with the CR7xx-Q controller. Failure to observe this may result in property damage or bodily injury because the Handy GOT can automatically operate the robot regardless of whether the operation rights are enabled or not.

 **DANGER**

Do not remove the SSCNET III cable while power is supplied to the multiple CPU system or the servo amplifier. Do not look directly at light emitted from the tip of SSCNET III connectors or SSCNET III cables of the Motion CPU or the servo amplifier. Eye discomfort may be felt if exposed to the light. (Reference: SSCNET III employs a Class 1 or equivalent light source as specified in JIS C 6802 and IEC60825-1 (domestic standards in Japan).)

 **DANGER**

Do not remove the SSCNET III cable while power is supplied to the controller. Do not look directly at light emitted from the tip of SSCNET III connectors or SSCNET III cables. Eye discomfort may be felt if exposed to the light. (Reference: SSCNET III employs a Class 1 or equivalent light source as specified in JIS C 6802 and IEC60825-1 (domestic standards in Japan).)

 **DANGER**

Attach the cap to the SSCNET III connector after disconnecting the SSCNET III cable. If the cap is not attached, dirt or dust may adhere to the connector pins, resulting in deterioration connector properties, and leading to malfunction.

 **CAUTION**

Make sure there are no mistakes in the wiring. Connecting differently to the way specified in the manual can result in errors, such as the emergency stop not being released. In order to prevent errors occurring, please be sure to check that all functions (such as the teaching box emergency stop, customer emergency stop, and door switch) are working properly after the wiring setup is completed.

CAUTION

Use the network equipments (personal computer, USB hub, LAN hub, etc) confirmed by manufacturer. The thing unsuitable for the FA environment (related with conformity, temperature or noise) exists in the equipments connected to USB. When using network equipment, measures against the noise, such as measures against EMI and the addition of the ferrite core, may be necessary. Please fully confirm the operation by customer. Guarantee and maintenance of the equipment on the market (usual office automation equipment) cannot be performed.

CAUTION

To maintain the security (confidentiality, integrity, and availability) of the robot and the system against unauthorized access, DoS*¹ attacks, computer viruses, and other cyberattacks from unreliable networks and devices via network, take appropriate measures such as firewalls, virtual private networks (VPNs), and antivirus solutions.

Mitsubishi Electric shall have no responsibility or liability for any problems involving robot trouble and system trouble by unauthorized access, DoS attacks, computer viruses, and other cyberattacks.

*1 DoS: A denial-of-service (DoS) attack disrupts services by overloading systems or exploiting vulnerabilities, resulting in a denial-of-service (DoS) state.

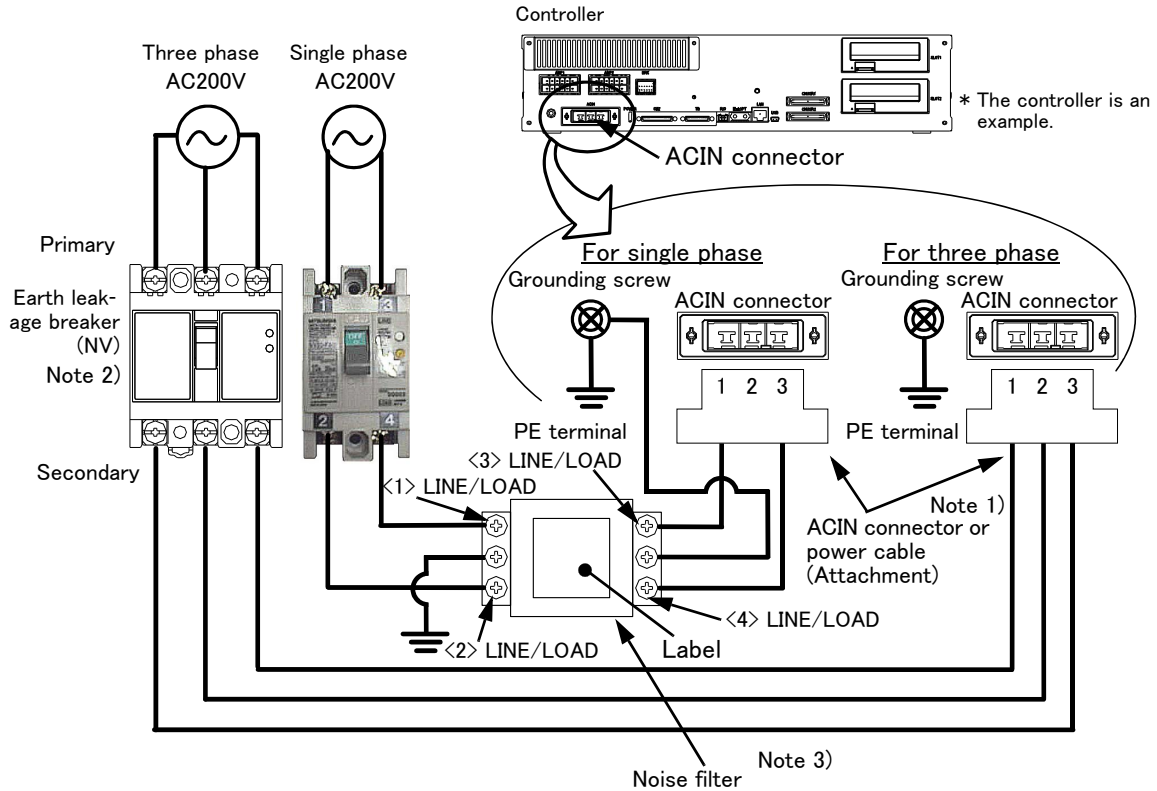
*CR751-D or CR751-Q controller

Notes of the basic component are shown.



CAUTION

Please install the earth leakage breaker in the primary side supply power supply of the controller of CR751-D or CR751-Q because of leakage protection.



Note 1) Crimping swage is recommended for connecting the attachment ACIN connector (soldering is also possible)
Recommendation compression tools: 234171-1(Tyco Electronics)

Note 2) The earth leakage breaker is the customer preparation. Always use the cover below.

Recommendation: For single primary power supply NV30FAU-2P-10A-AC100-240V-30mA, (Cover: TCS-05FA2)

For three primary power supply NV30FAU-3P-10A-AC100-240V-30mA, (Cover: TCS-05FA3)

Note 3) If necessary, as shown in the figure, connects the noise filter between ACIN terminal blocks and primary power supply.
(Recommended noise filter: SUP-EL20-ER6 *OKAYA ELECTRIC INDUSTRIES)

- 1) Please prepare the following: Leakage current breaker (with the terminal cover), cable for connecting the primary power supply (AWG #14 (2mm² or above), cables to ground the primary power supply (AWG #12 (3.5mm² or above).
The secondary power cable (with the ACIN connector) for single phase or three phase power is supplied with the product to match the specifications. When you build a cable suitable for your environment using the ACIN connector and the ACIN terminal supplied, prepare a secondary power cable (AWG #14 (2mm² or above).
- 2) Confirm that the primary power matches the specifications.
- 3) Confirm that the primary power is OFF and that the earth leakage breaker power switch is OFF.
- 4) Connect the secondary power cable.
 - a) When using the supplied power cable with the ACIN connector
Refer to the figure above and connect the cable from the secondary side of the earth leakage breaker.
 - b) When building a power cable using the ACIN connector and the ACIN terminals supplied
Connect the ACIN terminals with the secondary power cable (prepared by customers), and insert the ACIN terminals to the ACIN connector pins with the following numbers. Crimping caulking is recommended to connect the ACIN terminals.
For single phase: 1 and 3
For three phase: 1, 2, and 3
Refer to the figure above and connect the cable from the secondary side of the earth leakage breaker.
- 5) Connect this ACIN connector to the ACIN connector on the front of the controller.
- 6) Connect the grounding cable to the PE terminal. (M4 screw)
- 7) Connect the primary power cable to the primary side terminal of the earth leakage breaker.

■Revision history

Date of print	Specifications No.	Details of revisions
2012-06-14	BFP-A8902	<ul style="list-style-type: none"> • First print.
2012-07-19	BFP-A8902-A	<ul style="list-style-type: none"> • The error in writing of the connector name and the example of the connection in "3.9.1 Wiring of the Additional Axis Interface" was corrected. ("ExtOPT" was mistake(CR750 drive unit))
2012-10-09	BFP-A8902-B	<ul style="list-style-type: none"> • The power supply capacity was corrected. • The notes were added to "Fig 3-28: Example of EMC noise filter installation". • The lithium battery (ER6) was added to The United Nations' Recommendations on the Transport of Dangerous Goods. • The notes about installation of the controller and the robot arm were added. (neither direct rays nor the heat of lighting)
2012-10-11	BFP-A8902-C	<ul style="list-style-type: none"> • "Fig.2-5 : Wiring and piping for hand" was corrected.
2012-10-18	BFP-A8902-D	<ul style="list-style-type: none"> • The user's guide of KC mark was added.
2012-11-26	BFP-A8902-E	<ul style="list-style-type: none"> • "1.3 CE marking specifications" was added. • The statement about trademark registration was added. • The machine-cable extension option was corrected to the replacement type. • The machine-cable extension option of CE specification was added. • The RIO cable was added to Wiring and piping system diagram for hand. • The robot type of KC mark was added. • The notes about the input-output connected to the controller were added. (do not ground the + side of 24V power supply prepared by customer) • "Declaration of Incorporation" was added. • The robot type of KC mark was added. • "Fig.2-13: Outside dimensions (CE marking/KC mark specification)" was added.
2012-12-21	BFP-A8902-F	<ul style="list-style-type: none"> • EC-Statement of Compliance was added. • Note of the external emergency stop were added (opens the connector terminal at factory shipping). • The terminator was added to the connector of the hand input cable. • The connection place of machine cable connector CN2 of the CR751 controller was corrected. (Error in writing)
2013-02-15	BFP-A8902-G	<ul style="list-style-type: none"> • The operation panel of CR751 drive unit was deleted. • 1.2.1 How to identify the robot model was corrected.
2013-03-19	BFP-A8902-H	<ul style="list-style-type: none"> • The metal plate which fixes CR750 controller vertically was changed. (upward compatibility) • "Table 3-2: Robot CPU unit standard specification" was added.
2013-07-19	BFP-A8902-J	<ul style="list-style-type: none"> • "6.4 EMC installation guideline" was added. • "Declaration of Incorporation" and "EC-Statement of Compliance" were updated. • The cautions of operating in a low temperature environment or after a prolonged stop in "6.3 Precautions for handling" were modified. • The caution about fumigation of wood packing was added to "6.3 Precautions for handling".
2013-09-04	BFP-A8902-K	<ul style="list-style-type: none"> • "Fig.6-11: Limitations when connecting the relay etc. (CR750)" and "Fig.6-12: Limitations when connecting the relay etc. (CR751)" were corrected. (Error output → Emergency stop output, Contactor controloutput for additional axes → Error output) • "Table 2-2: Value of each counter-force" was added. • Distinction of the sink/sauce of "Fig.2-8 : Wiring and piping system diagram for hand and example the solenoid valve installation" was eliminated.
2014-01-08	BFP-A8902-M	<ul style="list-style-type: none"> • The cable fixation plate was added to "Fig.3-5: Outside dimensions of drive unit (CR751)". • An illustration of hand output cable was corrected. • Conditions for the flexed type cables were corrected. • The explanation of Allowable inertia (Maximum) is added. • The note about an ambient temperature was added to "2.1.1 Basic specifications". • The description of "MELFA BASIC IV" was added to "Table 3-1: Specifications of controller". • The type name of the SSCNET III cable (5m) was corrected to MR-J3BUS5 M-A.
2014-03-31	BFP-A8902-N	<ul style="list-style-type: none"> • The description of stopper for operating range change was modified. • The grounding representation was corrected. • The dimension which installed the solenoid valve set (option) was added to the outside dimensions. • The types of the ACIN terminal were added.

Date of print	Specifications No.	Details of revisions
2014-08-20	BFP-A8902-P	<ul style="list-style-type: none"> • The cover and corporate logo mark of this manual was changed. • The statement about trademark registration was modified. • The explanation of CR751 drive unit was modified. • A connection space for a machine cable was added. • The description about screw holes using for tooling wiring and piping was added. • A safety relay in “example of safety measures (wiring example 5)” both CR750 and CR751 controller were changed. • ”Declaration of Incorporation” and “EC-Statement of Compliance” were updated.
2014-12-17	BFP-A8902-R	<ul style="list-style-type: none"> • Correction of errors in the Specifications discussion materials. (Network vision sensor: 4D-2CG5***-PKG was deleted.) • The corporate logo mark of illustrations in this manual was changed. • The number of Hand open/close input/output points was corrected. (error: 8/8)
2015-03-10	BFP-A8902-T	<ul style="list-style-type: none"> • The description about the specification of RV-2FL/2FLB were added. • ”Declaration of Incorporation” and “EC-Statement of Compliance” were updated. (RV-2FL series was added)
2015-11-18	BFP-A8902-U	<ul style="list-style-type: none"> • Maximum resultant velocity of RV-2FL/2FLB was corrected. (error. 4,206mm/sec) • Transportation precaution of the lithium battery was modified. • Note1) in “Table3-6: Function of the key switch interface” was corrected.
2015-12-14	BFP-A8902-V	<ul style="list-style-type: none"> • The figures of “Position of center of gravity for loads” were modified. • Circuit diagrams in “3.6.1 Connection of the external emergency stop” and “6.1.7 Examples of safety measures” were modified.
2015-04-07	BFP-A8902-W	<ul style="list-style-type: none"> • Windows10 was supported by RT ToolBox2. • ”EC DECLARATION OF CONFORMITY” pages were deleted.
2017-05-22	BFP-A8902-X	<ul style="list-style-type: none"> • Contact information of the authorized representative was updated.
2017-09-25	BFP-A8902-Y	<ul style="list-style-type: none"> • ”2.8 About Overhaul” was modified.
2018-06-01	BFP-A8902-AA	<ul style="list-style-type: none"> • Description of countermeasures against unauthorized access was added. • Referenced Standard (Requirement of Chinese standardized law) was added. • Notes were added to section 3.6. • Environmental conditions of electromagnetic noise was modified. • ”3.9 Magnet contactor control connector output (AXMC) for addition axes” was modified.
2018-12-25	BFP-A8902-AB	<ul style="list-style-type: none"> • ”3.7 Mode changeover switch input” was modified.
2020-10-30	BFP-A8902-AC	<ul style="list-style-type: none"> • Amended the precautions regarding the prevention of unauthorized access. • Added “Appendix 1: Origin position adjustment of J2 axis”. • Corrected other mistakes and changed some sections.
2021-01-29	BFP-A8902-AD	<ul style="list-style-type: none"> • Updated contents for the optional product “MELFA-3D Vision 3.0 (3F-53U-WINM)”.
2021-06-25	BFP-A8902-AE	<ul style="list-style-type: none"> • Corrected examples of safety measures. (Fig. 6-1 to 6-4, 6-6 to 6-9) • Corrected limitations when connecting the relay etc. (Fig. 6-11, 12) • Added “Appendix 1: Classification of functions using external input/output signals”.
2021-11-30	BFP-A8902-AF	<ul style="list-style-type: none"> • Corrected the explanation of the parameter “SRVON”. • Corrected other mistakes and changed some sections.
2022-01-31	BFP-A8902-AG	<ul style="list-style-type: none"> • Revised “6.4 EMC installation guideline”. • Corrected other mistakes and changed some sections.

■ Introduction

This series provides compact vertical multi-joint robots for use in machine processes and assemblies. This series is especially designed to answer the needs of users who want to create compact and highly flexible production facilities to cope with shortened product life cycles as well as the diffusion of small and high density product groups in recent years, such as personal computer related devices, information terminal devices and small car-mounted electronic devices.

However, to comply with the target application, a work system having a well-balanced robot arm, peripheral devices or robot and hand section must be structured.

When creating these standard specifications, we have edited them so that the Mitsubishi robot's characteristics and specifications can be easily understood by users considering the implementation of robots. However, if there are any unclear points, please contact your nearest Mitsubishi branch or dealer.

Mitsubishi hopes that you will consider these standard specifications and use our robots.

Note that in this specification document the specifications related to the robot arm is described [Page 8, "2 Robot arm"](#), the specifications related to the controller [Page 43, "3 Controller"](#), and software functions and a command list [Page 93, "4 Software"](#) separately.

This document has indicated the specification of the following types robot.

*RV-2F-Q/RV-2FB-Q/RV-2FL-Q/RV-2FLB-Q series

Note) Indicates it as RV-2F series.

· About CE Marking in the automization system

The Guidelines of the measures against EMC in the automization system manufactured by the customer is shown in [Page 117, "6.4 EMC installation guideline"](#).

Please refer to it and carry out the measures against EMC of the automization system of the customer.

- No part of this manual may be reproduced by any means or in any form, without prior consent from Mitsubishi.
- The contents of this manual are subject to change without notice.
- The specifications values are based on Mitsubishi standard testing methods.
- The information contained in this document has been written to be accurate as much as possible. Please interpret that items not described in this document "cannot be performed." or "alarm may occur".
Please contact your nearest dealer if you find any doubtful, wrong or skipped point.
- This specifications is original.
- Microsoft, Windows, Windows XP, Windows Vista, Windows 7, Windows 8, Windows 8.1, Windows 10 are either registered trademarks or trademarks of Microsoft Corporation in the United States and/or other countries.
- The official name of Windows® is Microsoft®Windows®Operating System.
- Windows®XP, Windows Vista®, Windows® 7, Windows® 8, Windows® 8.1, Windows® 10 are either product names of Microsoft Corporation in the United States.
- Ethernet is registered trademarks or trademarks of Xerox Corporation in the United States.
- All other company names and production names in this document are the trademarks or registered trademarks of their respective owners.
- Referenced Standard (Requirement of Chinese standardized law): This Product is designed and manufactured accordance with GB 11291.1.
- Illustrations in this Instruction Manual may differ from the actual products.

Contents

	Page
1 General configuration	1-1
1.1 Structural equipment	1-1
1.1.1 Standard structural equipment	1-1
1.1.2 Special specifications	1-1
1.1.3 Options	1-1
1.1.4 Maintenance parts	1-1
1.2 Model type name of robot	1-2
1.2.1 How to identify the robot model	1-2
1.2.2 Combination of the robot arm and the controller	1-2
1.3 CE marking/KC mark specifications	1-3
1.4 Indirect export	1-3
1.5 Instruction manuals	1-3
1.6 Contents of the structural equipment	1-4
1.6.1 Robot arm	1-4
1.6.2 Controller	1-5
1.7 Contents of the Option equipment and special specification	1-6
2 Robot arm	2-8
2.1 Standard specifications	2-8
2.1.1 Basic specifications	2-8
2.1.2 The counter-force applied to the installation surface	2-9
2.2 Definition of specifications	2-10
2.2.1 Pose repeatability	2-10
2.2.2 Rated load (mass capacity)	2-11
2.2.3 Vibrations at the Tip of the Arm during Low-Speed Operation of the Robot	2-12
2.2.4 Collision detection	2-12
2.2.5 Protection specifications	2-12
(1) Types of protection specifications	2-12
2.3 Names of each part of the robot	2-13
2.4 Outside dimensions • Operating range diagram	2-14
(1) RV-2F/2FB (standard specification (CR750/CR751), CE Marking specification (CR751))	2-14
(2) RV-2F/2FB (CE Marking/KC mark specification (CR750))	2-15
(3) RV-2F/2FB operating range (Common to the standard/CE Marking/KC mark specification)	2-16
(4) RV-2FL/2FLB (standard specification (CR750/CR751), CE Marking specification (CR751))	2-17
(5) RV-2FL/2FLB (CE Marking specification (CR750))	2-18
(6) RV-2FL/2FLB operating range (Common to the standard/CE Marking specification)	2-19
2.4.1 Outside dimensions of machine cables	2-20
(1) Connection with the CR750 controller (For standard specification)	2-20
(2) Connection with the CR750 controller (For CE Marking/KC mark specification)	2-20
(3) Connection with the CR751 controller (For standard/CE Marking/KC mark specification)	2-20
2.5 Tooling	2-22
2.5.1 Wiring and piping for hand	2-22
(1) RV-2F series (standard specification (CR750/751), CE Marking specification (CR751))	2-22
(2) RV-2F series (CE Marking/KC mark specification (CR750))	2-23
2.5.2 Internal air piping	2-24
2.5.3 Internal wiring for the hand output cable	2-24
2.5.4 Internal wiring for the hand input cable	2-24
2.5.5 Wiring and piping system diagram for hand	2-25
2.5.6 Electrical specifications of hand input/output	2-26
2.5.7 Air supply circuit example for the hand	2-27
2.5.8 About the Installation of Tooling Wiring and Piping	2-27
2.6 Shipping special specifications, options, and maintenance parts	2-28
2.6.1 Shipping special specifications	2-28
2.7 Options	2-29
(1) Machine cable extension	2-30
(2) Stopper for changing the operating range	2-35

Contents

	Page
(3) Solenoid valve set	2-36
(4) Hand input cable	2-38
(5) Hand output cable	2-39
(6) Hand curl tube	2-40
2.8 About Overhaul	2-41
2.9 Maintenance parts	2-42
3 Controller	3-43
3.1 Standard specifications	3-43
3.1.1 Basic specifications	3-43
3.1.2 Protection specifications and operating supply	3-44
3.2 Names of each part	3-45
3.2.1 Drive unit	3-45
(1) CR750 drive unit	3-45
(2) CR751 drive unit	3-47
3.2.2 Robot CPU	3-49
3.3 Outside dimensions/Installation dimensions	3-50
3.3.1 Outside dimensions	3-50
(1) CR750 drive unit	3-50
(2) CR751 drive unit	3-51
(3) Outside dimensions of robot CPU unit	3-52
(4) Battery unit outside dimension	3-53
3.3.2 Installation dimensions	3-54
(1) CR750 drive unit	3-54
(2) CR751 drive unit	3-56
(3) Robot CPU Unit installation dimensions	3-58
3.4 External input/output	3-59
3.4.1 Types	3-59
3.5 Dedicated input/output	3-60
3.6 Emergency stop input and output etc.	3-63
3.6.1 Connection of the external emergency stop	3-63
(1) CR750 drive unit	3-64
(2) CR751 drive unit	3-68
3.6.2 Special stop input (SKIP)	3-71
(1) CR750 drive unit	3-71
(2) CR751 drive unit	3-72
3.6.3 Door switch function	3-73
3.6.4 Enabling device function	3-73
(1) When door is opening	3-73
(2) When door is closing	3-74
(3) Automatic Operation/Jog Operation/Brake Release and Necessary Switch Settings	3-74
3.7 Mode changeover switch input	3-75
(1) Specification of the key switch interface	3-75
(2) Connection of the mode changeover switch input	3-77
3.8 Additional Axis Function	3-78
3.8.1 Wiring of the Additional Axis Interface	3-78
(1) CR750 drive unit	3-78
(2) CR751 drive unit	3-79
(3) Example of the installation of the noise filter	3-80
3.9 Magnet contactor control connector output (AXMC) for addition axes	3-82
(1) Example circuit	3-82
(2) Image of how to connect the controller connector	3-84
3.10 Options	3-85
(1) Teaching pendant (T/B)	3-86
(2) MELSOFT RT ToolBox2/RT ToolBox2 mini	3-89
(3) Instruction Manual (bookbinding)	3-91

Contents

	Page
3.11 Maintenance parts	3-92
4 Software	4-93
4.1 List of commands	4-93
4.2 List of parameters	4-96
5 Instruction Manual	5-98
5.1 The details of each instruction manuals	5-98
6 Safety	6-99
6.1 Safety	6-99
6.1.1 Self-diagnosis stop functions	6-99
6.1.2 External input/output signals that can be used for safety protection measures	6-100
6.1.3 Precautions for using robot	6-100
(1) Robot installation	6-100
(2) Prevention of contact with operator	6-100
(3) Work procedures	6-100
(4) Training	6-100
(5) Daily inspection and periodic inspection	6-101
6.1.4 Safety measures for automatic operation	6-101
6.1.5 Safety measures for teaching	6-101
6.1.6 Safety measures for maintenance and inspections, etc.	6-101
6.1.7 Examples of safety measures	6-102
(1) CR750 drive unit	6-102
(2) CR751 drive unit	6-107
(3) External emergency stop connection [supplementary explanation]	6-112
6.2 Working environment	6-115
(1) Power supply	6-115
(2) Noise	6-115
(3) Temperature and humidity	6-115
(4) Vibration	6-115
(5) Installation environment	6-115
6.3 Precautions for handling	6-115
6.4 EMC installation guideline	6-117
6.4.1 Outlines	6-117
6.4.2 EMC	6-117
6.4.3 EMC measures	6-118
6.4.4 Component parts for EMC measures	6-118
(1) Ferrite core	6-118
(2) Line noise filter	6-118
7 Appendix	Appendix-119
Appendix 1 : Classification of functions using external input/output signals	Appendix-119
Appendix 2 : Specifications discussion material	Appendix-120

1 General configuration

1.1 Structural equipment

Structural equipment consists of the following types.

1.1.1 Standard structural equipment

The following items are enclosed as a standard.

- (1) Robot arm
- (2) Controller (CPU unit + Drive unit)
- (3) The connecting cable for the CPU unit and the drive unit
- (4) Machine cable
- (5) Robot arm installation bolts
- (6) Safety manual, CD-ROM (Instruction manual)
- (7) Guarantee card

1.1.2 Special specifications

For the special specifications, some standard configuration equipment and specifications have to be changed before factory shipping. Confirm the delivery date and specify the special specifications at the order.

1.1.3 Options

User can install options after their delivery.

1.1.4 Maintenance parts

Materials and parts for the maintenance use.

1.2 Model type name of robot

1.2.1 How to identify the robot model

RV - 2F L ▲ - ● Q ◆ -Sxx
 (a) (b) (c) (d) (e) (f) (g)

- (a). RV-2FIndicates the RV-2F series
- (b). LIndicates long arm type.
 Ex)
 Omitted: Standard type
 L: Long arm type
- (c). ▲Indicates the existence of the brake.
 Ex)
 Omitted: J2, J3, and J5 axse have a brake.
 B: All axes have a brake.
- (d). ●Indicates the controller type.
 Ex.)
 Omitted: CR750 controller
 1: CR751 controller
- (e). Q.....Indicates the controller type.
 Q: iQ Platform
- (f). ◆Technical standard of Conformity.
 Ex.)
 Omitted: No conformity of technical standard.
 1: Conforms to the CE Marking specification.
- (g). -SxxIndicates a special model. In order, limit special specification.

1.2.2 Combination of the robot arm and the controller

Table 1-1 : Combination of the robot arm and the controller

Robot arm					Controller
Type name	Protection specification	Arm length	Brake	Axial constitution	
RV-2F-Q	Standard specifica- tion	Standard arm	Only J2, J3, and J5 axes	6-axis type	CR750-02VQ-1
RV-2FL-Q		Long arm			
RV-2FB-Q		Standard arm	All axes		
RV-2FLB-Q		Long arm			
RV-2F-1Q		Standard arm	Only J2, J3, and J5 axes		CR751-02VQ-0
RV-2FL-1Q		Long arm			
RV-2FB-1Q		Standard arm	All axes		
RV-2FLB-1Q		Long arm			

1.3 CE marking/KC mark specifications

The robot shown in [Table 1-2](#) is the CE marking/KC mark specification.

Table 1-2 : Robot models with CE marking/KC mark specifications

Specification	Robot type	Controller	External signal logic	Language setting
CE marking	RV-2FB-Q1-S15	CR750-02VQ1-1-S15	Source type	English (ENG)
	RV-2FLB-Q1-S15			
	RV-2FB-1Q1-S15	CR751-02VQ1-0-S15		
	RV-2FLB-1Q1-S15			
KC mark	RV-2FB-1Q1-S19	CR751-02VQ1-0-S19		

1.4 Indirect export

The display in English is available by setting parameter LNG as "ENG."

1.5 Instruction manuals

The instruction manuals supplied in CD-ROM, except for the Safety Manual. This CD-ROM (electronic manual) includes instruction manuals in both Japanese and English versions.

1.6 Contents of the structural equipment

1.6.1 Robot arm

The list of structural equipment is shown in below.

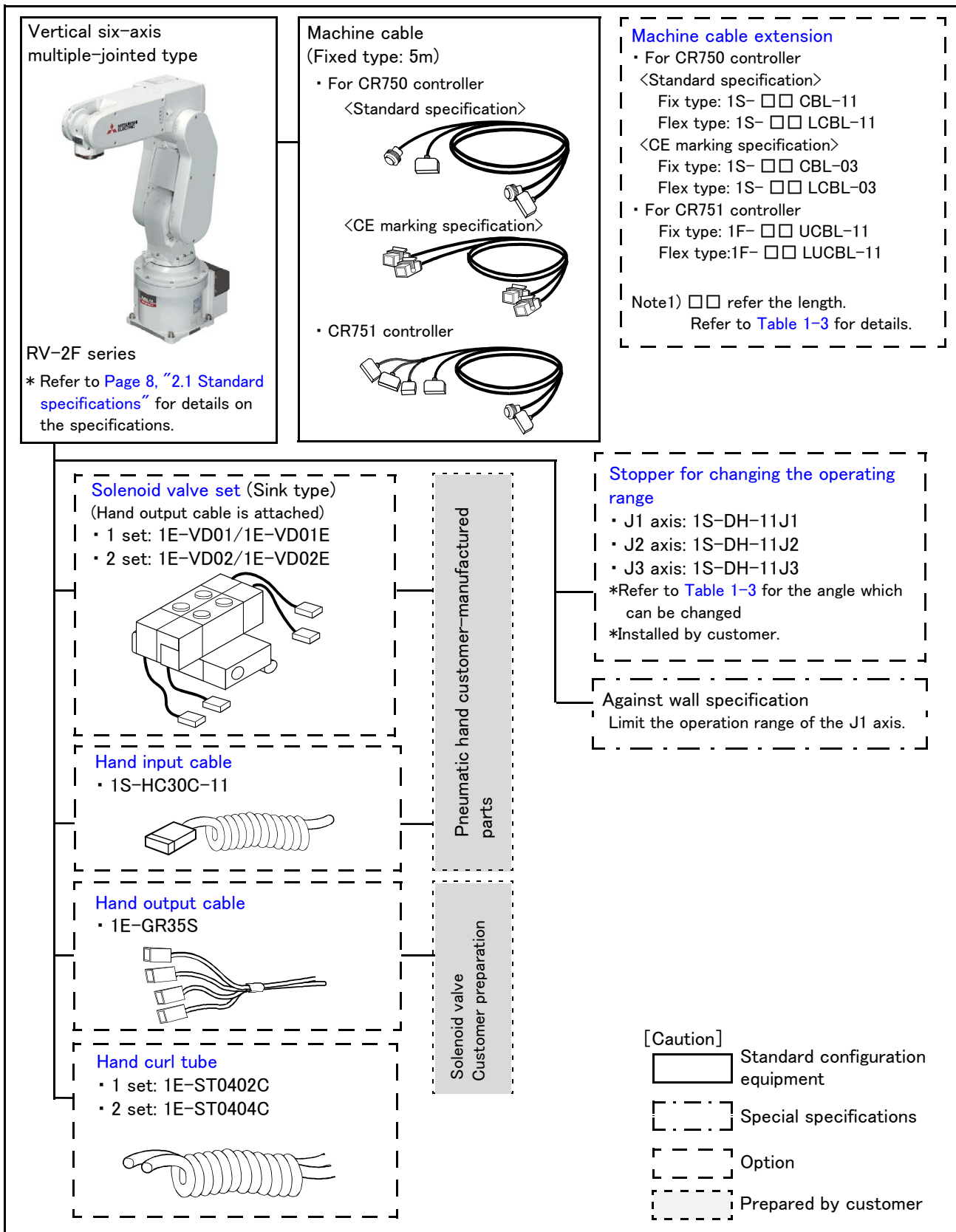


Fig.1-1 : Structural equipment (Robot arm)

1.7 Contents of the Option equipment and special specification

A list of all Optional equipment and special specifications are shown below.

Table 1-3 : The list of robot option equipment and special

Item	Type	Specifications	Classification Note1)		Description
			CR750	CR751	
Stopper for changing the operating range	1S-DH-11J1	J1 axis + side: +210、+150、+90 deg. - side: -210、-150、-90 deg. One place selection is possible each for + side / - side. Standard specification is +/-240 deg.	○	○	This must be installed by the customer.
	1S-DH-11J2	J2 axis + side: +30 deg. - side: -30 deg. One place selection is possible each for + side / - side. Standard specification is +/-120 deg	○	○	
	1S-DH-11J3	J3 axis + side: +70 deg. - side: Nothing Standard specification is 0 to +160 deg	○	○	
Extended machine cable	1S- □□ CBL-11	For fixing (Set of power and signal)	○	-	"□□" in type shows the length of the cables as follows. 10=10m, 15=15m For standard specification
	1S- □□ LCBL-11	For flexing (Set of power and signal)	○	-	"□□" in type shows the length of the cables as follows. 05=5m, 10=10m, 15=15m For standard specification
	1S- □□ CBL-03	For fixing (Set of power and signal)	○	-	"□□" in type shows the length of the cables as follows. 10=10m, 15=15m For CE marking specification
	1S- □□ LCBL-03	For flexing (Set of power and signal)	○	-	"□□" in type shows the length of the cables as follows. 05=5m, 10=10m, 15=15m For CE marking specification
	1F- □□ UCBL-11	For fixing (Set of power and signal)	-	○	"□□" in type shows the length of the cables as follows. 10=10m, 15=15m
	1F- □□ LUCBL-11	For flexing (Set of power and signal)	-	○	"□□" in type shows the length of the cables as follows. 05=5m, 10=10m, 15=15m
Solenoid valve set	1E-VD01/1E-VD01E	1 set (Sink type)/(Source type)	○	○	A solenoid valve set for the pneumatic hand
	1E-VD02/1E-VD01E	2 set (Sink type)/(Source type)	○	○	
Hand input cable	1S-HC30C-11	Robot side: connector. Hand side: wire.	○	○	The cable is connected to the sensor by the customer.
Hand output cable	1E-GR35S	Robot side: connector Hand side: wire	○	○	The cable is connected to the hand output connector by the customer. Attaches the cable clamp (drip proof type) Straight cable 600mm (total length)
Hand curl tube	1E-ST0402C	For solenoid valve 1set: ϕ 4x2	○	○	Curl type air tube
	1E-ST0404C	For solenoid valve 2set: ϕ 4x4	○	○	

Note1) Distinction of ○ (is option) and □ (is special specification at shipping) is shown for each pair with the drive unit.

Table 1-4 : The list of drive unit option equipment and special specification

Item	Type	Specifications	Classification Note1)		Description
			CR750	CR751	
Simple teaching pendant	R32TB	Cable length 7m	○	-	With 3-position enable switch IP65
	R32TB-15	Cable length 15m	○	-	
	R33TB	Cable length 7m	-	○	
	R33TB-15	Cable length 15m	-	○	
Highly efficient teaching pendant	R56TB	Cable length 7m	○	-	
	R56TB-15	Cable length 15m	○	-	
	R57TB	Cable length 7m	-	○	
	R57TB-15	Cable length 15m	-	○	
RT ToolBox2 (Personal computer Support software)	3D-11C-WINE	CD-ROM	○	○	Windows XP, Windows Vista, Windows 7, Windows 8, Windows 8.1, Windows 10 (With the simulation function)
RT ToolBox2 mini (Personal computer Support software mini)	3D-12C-WINE	CD-ROM	○	○	Windows XP, Windows Vista, Windows 7, Windows 8, Windows 8.1, Windows 10
Robot CPU unit connection cable set	2Q-RC-CBL □□ M	Cable length 05, 20, 30m	□	□	This option include TU, DISP, EMI and SSCNET cables.
TU cable for robot	2Q-TUCBL □ M	Cable length 05, 20, 30m	□	□	For communication between robot CPU and DU.
DISP cable for robot	2Q-DISPCBL □ M	Cable length 05, 20, 30m	□	□	For communication between robot CPU and DU.
EMI cable for robot	2Q-EMICBL □ M	Cable length 05, 20, 30m	□	□	For a robot CPU emergency stop input.
SSCNET III cable for robot	MR-J3BUS □ M-A	Cable length 05, 20m	□	□	For the servo communication between robot CPU and DU .
	MR-J3BUS30M-B	Cable length 30m	□	□	
Instruction Manual	5F-RE01-PE01	RV-2F-Q series	○	○	

Note1) Distinction of ○ (is option) and □ (is special specification at shipping) is shown for each pair with the drive unit.

2 Robot arm

2.1 Standard specifications

2.1.1 Basic specifications

Table 2-1 : Standard specifications of robot

Item		Unit	Specifications	
Type			RV-2F/2FB ^{Note1)}	RV-2FL/2FLB ^{Note1)}
Degree of freedom			6	
Installation posture			On floor, hanging (against wall ^{Note2)})	
Structure			Vertical, multiple-joint type	
Drive system			AC servo motor (RV-2F/2FL: J2, J3, J5 axes have the brake) (RV-2FB/2FLB: All axes have the brake)	
Position detection method			Absolute encoder	
Arm length	Upper arm	mm	230	310
	Fore arm		270	335
Operating range	Waist (J1)	Degree	480 (-240 to +240)	
	Shoulder (J2)		240 (-120 to +120)	237 (-117 to +120)
	Elbow (J3)		160 (0 to +160)	
	Wrist twist (J4)		400 (-200 to +200)	
	Wrist pitch (J5)		240 (-120 to +120)	
	Wrist roll (J6)		720 (-360 to +360)	
Speed of motion	Waist (J1)	Degree/s	300	225
	Shoulder (J2)		150	105
	Elbow (J3)		300	165
	Wrist twist (J4)		450	412
	Wrist pitch (J5)		450	
	Wrist roll (J6)		720	
Maximum resultant velocity ^{Note3)}		mm/sec	4,950	4,200
Load	Maximum ^{Note4)}	kg	3.0	
	Rating		2.0	
Pose repeatability ^{Note5)}		mm	±0.02	
Ambient temperature ^{Note6)}		°C	0 to 40	
Mass		kg	19	21
Allowable moment load	Wrist twist (J4)	N · m	4.17	
	Wrist pitch (J5)		4.17	
	Wrist roll (J6)		2.45	
Allowable inertia (Maximum) ^{Note7)}	Wrist twist (J4)	kg · m ²	0.18 (0.27)	
	Wrist pitch (J5)		0.18 (0.27)	
	Wrist roll (J6)		0.04 (0.1)	
Arm reachable radius front p-axis center point		mm	504	649
Tool wiring			Hand input 4 point / hand output 4 point	
Tool pneumatic pipes			Primary side: $\phi 4 \times 4$ (Base to fore arm section)	
Supply pressure		MPa	0.5 ± 10%	
Protection specification ^{Note8)}			IP30 (All axis)	
Degree of cleanliness			—	
Painting color			Light gray (Equivalent to Munsell: 0.6B7.6/0.2)	

Note1) RV-2FB/2FLB is with the brake to all the axes.

Note2) When used by mounting on the wall, a special specification that limits the operating range of the J1 axis will be used. Please give an order separately.

Note3) This is the value on the mechanical interface surface when all axes are combined.

Note4) The maximum load capacity is the mass with the mechanical interface posture facing down word at the $\pm 10^\circ$ limit.

Note5) The pose repeatability details are given in Page 10, "2.2.1 Pose repeatability"

Note6) Sets the robot's operating environmental temperature as parameter OLTMX. Corresponding to the environment, the continuous control action performance and the overload-protection function are optimized. (Refers to "Optimizing the overload level" described in "Chapter 5 Functions set with parameters" of separate instruction manual/ Detailed explanations of functions and operations for details.)

Note7) The allowable inertia values are the values at the rated load mass. The values in parentheses are the values at the maximum load mass. By controlling the optimum acceleration/deceleration, the allowable inertia (maximum) can be supported.

Note8) The protection specification details are given in [Page 12, "2.2.5 Protection specifications"](#).

2.1.2 The counter-force applied to the installation surface

The counter-force applied to the installation surface for the strength design of the robot installation surface is shown.

Table 2-2 : Value of each counter-force

Item	Unit	Value
Falls moment: M_L	N · m	240
Torsion moment: M_T	N · m	150
Horizontal translation force: F_H	N	700
Vertical translation force: F_V	N	820

2.2 Definition of specifications

The accuracy of pose repeatability mentioned in catalogs and in the specification manual is defined as follows.

2.2.1 Pose repeatability

For this robot, the pose repeatability is given in accordance with JIS B 8432 (Pose repeatability). Note that the value is based on 100 measurements (although 30 measurements are required according to JIS).

[Caution] The specified "pose repeatability" is not guaranteed to be satisfied under the following conditions.

[1] Operation pattern factors

- 1) When an operation that approaches from different directions and orientations are included in relation to the teaching position during repeated operations
- 2) When the speed at teaching and the speed at execution are different

[2] Load fluctuation factor

- 1) When work is present/absent in repeated operations

[3] Disturbance factor during operation

- 1) Even if approaching from the same direction and orientation to the teaching position, when the power is turned OFF or a stop operation is performed halfway

[4] Temperature factors

- 1) When the operating environment temperature changes
- 2) When accuracy is required before and after a warm-up operation

[5] Factors due to differences in accuracy definition

- 1) When accuracy is required between a position set by a numeric value in the robot's internal coordinate system and a position within the actual space
- 2) When accuracy is required between a position generated by the pallet function and a position within the actual space

2.2.2 Rated load (mass capacity)

The robot's mass capacity is expressed solely in terms of mass, but even for tools and works of similar mass, eccentric loads will have some restrictions. When designing the tooling or when selecting a robot, consider the following issues.

- (1) The tooling should have the value less or equal than the smaller of the tolerable inertia and the tolerable moment found in [Page 8, "2.1.1 Basic specifications"](#).
- (2) [Fig. 2-1](#) shows the distribution dimensions for the center of gravity in the case where the volume of the load is relatively small. Use this figure as a reference when designing the tooling.
- (3) Even if the load is force, not the mass, design the tooling so that moment does not exceed the allowable moment. Refer to [Page 8, "2.1 Standard specifications"](#) for details of allowable moment value.

[Caution] The mass capacity is greatly influenced by the operating speed of the robot and the motion posture. Even if you are within the allowable range mentioned previously, an overload or generate an overcurrent alarm could occur. In such cases, it will be necessary to change the time setting for acceleration/deceleration, the operating speed, and the motion posture.

[Caution] The overhang amount of the load, such as the mass capacity and the allowable moment of inertia defined in this section, are dynamic limit values determined by the capacity of the motor that drives axes or the capacity of the speed reducer. Therefore, it does not guarantee the accuracy on all areas of tooling. Guaranteed accuracy is measured from the center point of the mechanical interface surface. Please note that if the point of operation is kept away from the mechanical interface surface by long and low-rigid tooling, the positioning accuracy may deteriorate or may cause vibration.

[Caution] Even within the allowable range previously mentioned, an overload alarm may be generated if an ascending operation continues at a micro-low speed. In such a case, it is necessary to increase the ascending speed.

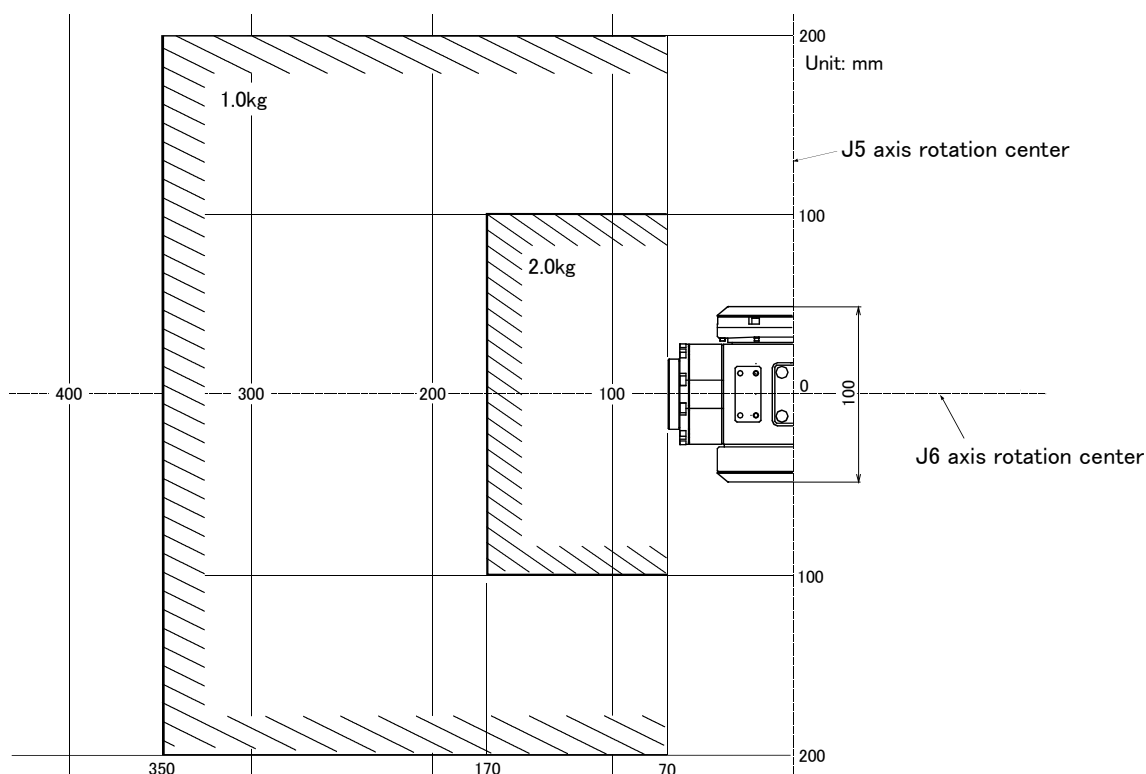


Fig.2-1 : Position of center of gravity for loads (for loads with comparatively small volume)

2.2.3 Vibrations at the Tip of the Arm during Low-Speed Operation of the Robot

Vibrations at the tip of the arm may increase substantially during the low-speed operation of the robot, depending on the combination of robot operation, hand mass and hand inertia. This problem occurs when the vibration count specific to the robot arm and the vibration count of the arm driving force are coming close to each other. These vibrations at the tip of the arm can be reduced by taking the following measures:

- 1) Lower the robot's operating speed by approximately 5% from high speed using the OvrD command.
- 2) Change and move the teaching points of the robot.
- 3) Change the hand mass and hand inertia.

2.2.4 Collision detection

This series have the "collision detection function" which detects the abnormalities by the collision of the robot arm, however initial setting is in invalid condition.

The enable/disable of this function can be changed by parameter: COL and command: ColChk, this function is effective for protect of the robot and of the peripheral equipment.

The abnormalities are detected by the robot's kinetics model, presuming torque necessary for movement at any time. Therefore, the setting parameter (HNDDAT*, WRKDAT*) of the hand and the work piece conditions should be right. And, it may be detected as the collision in movement as speed and motor torque are changed rapidly. (for example, the movement near the place of the origin by linear interpolation, the reversal movement, the cold condition, the operation after long term stoppage)

In such a case, by adjusting the value of the setting parameter (COLLVL, COLLVLJG) of the collision detection level according to actual use environment, the sensitivity of collision detection can be optimized and the damage risk can be reduced further. And, in the operation after the low temperature or long term stoppage, please operate by accustoming at low speed (warm-up), or use the warm-up operation mode.

Refer to the separate instruction manual "Detailed explanations of functions and operations" for details of related parameter.

Table 2-3 : Factory-shipments condition

	JOG operation	Automatic
RV-2F series	Invalid	Invalid

2.2.5 Protection specifications

(1) Types of protection specifications

The robot arm has protection specifications that comply with the IEC Standards. The protection specifications and applicable fields are shown in [Table 2-4](#).

Table 2-4 : Protection specifications and applicable fields

Type	Protection specifications (IEC Standards value)	Classification	Applicable field	Remarks
RV-2F series	Robot arm: IP30 (all axes)	General environment specifications	General assembly Slightly dusty environment	

The IEC IP symbols define the degree of protection against solids and fluids, and do not indicate a protective structure against the entry of oil.

The IEC standard is described by the following "Information" And, the corrosion of the rust etc. may occur to the robot with the liquids.

【Information】

- The IEC IP30

The protection standard for approach in the dangerous spot in the tool. It indicates the protective structure that the proximity probe 2.5mm in diameter must not advance.

2.3 Names of each part of the robot

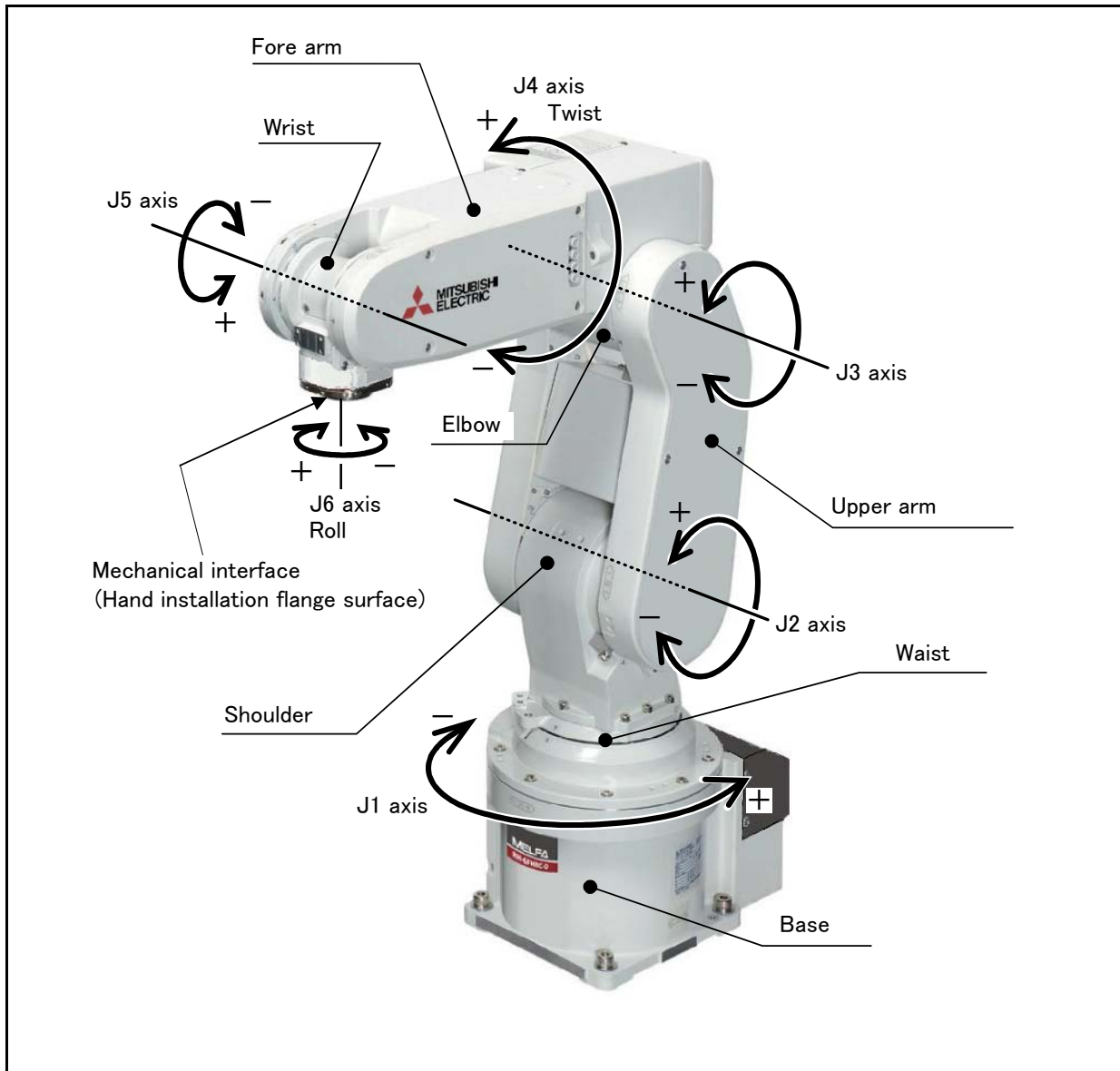


Fig.2-2 : Names of each part of the robot

2.4 Outside dimensions • Operating range diagram

(1) RV-2F/2FB (standard specification (CR750/CR751), CE Marking specification (CR751))

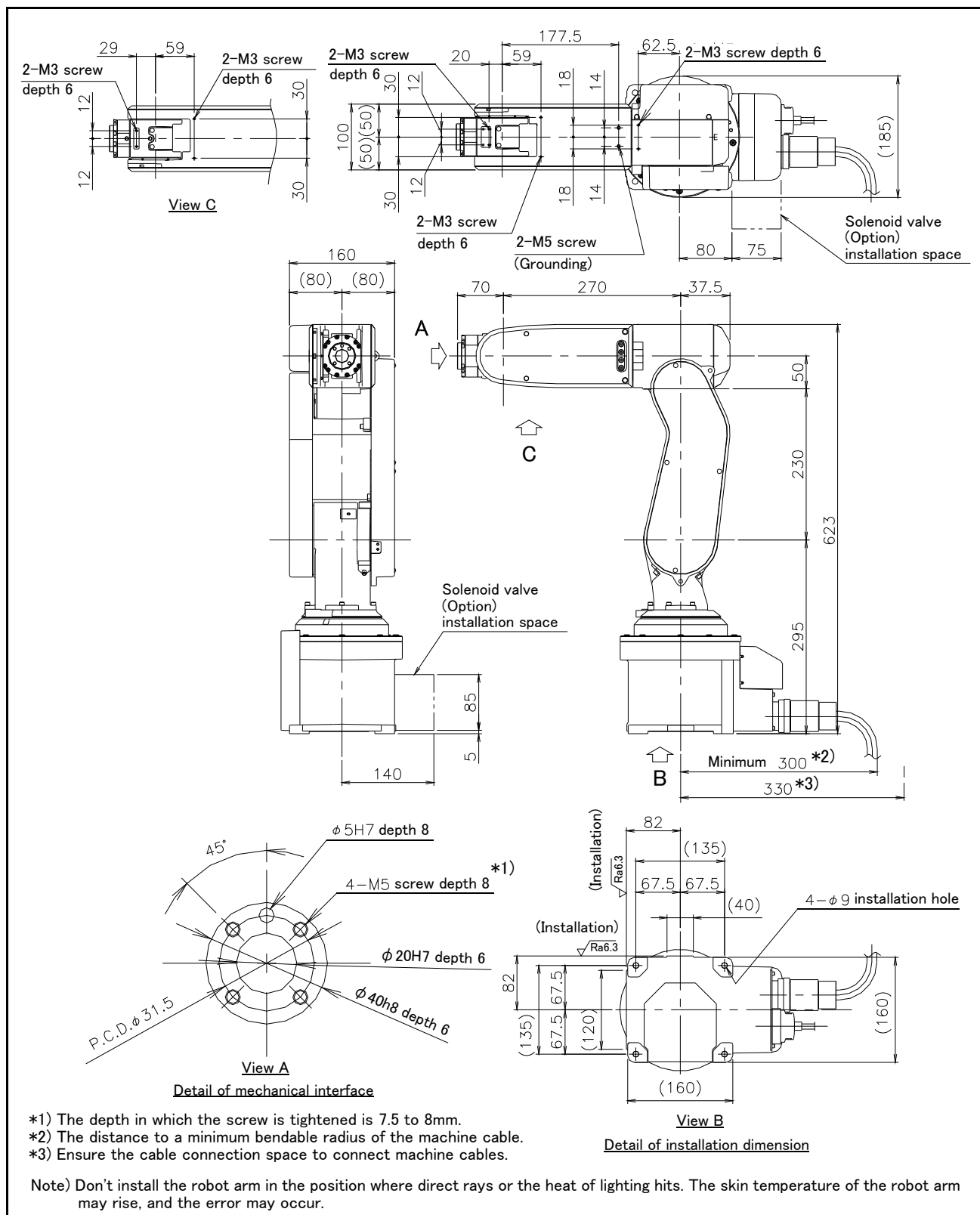


Fig.2-3 : RV-2F/2FB outside dimensions (standard specification (CR750/CR751), CE Marking specification (CR751))

(2) RV-2F/2FB (CE Marking/KC mark specification (CR750))

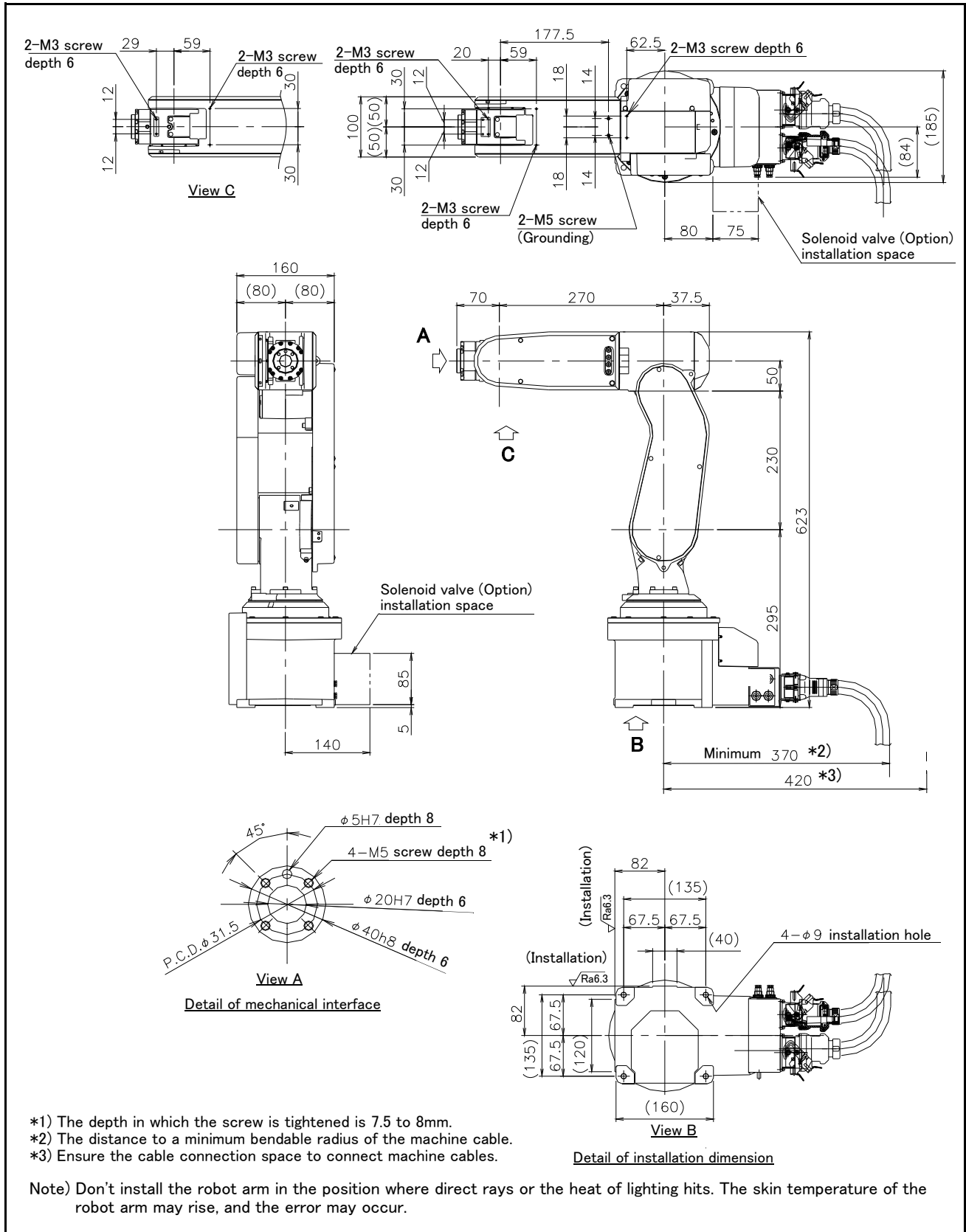


Fig.2-4 : RV-2F/2FB outside dimensions (CE Marking/KC mark specification (CR750))

(4) RV-2FL/2FLB (standard specification (CR750/CR751), CE Marking specification (CR751))

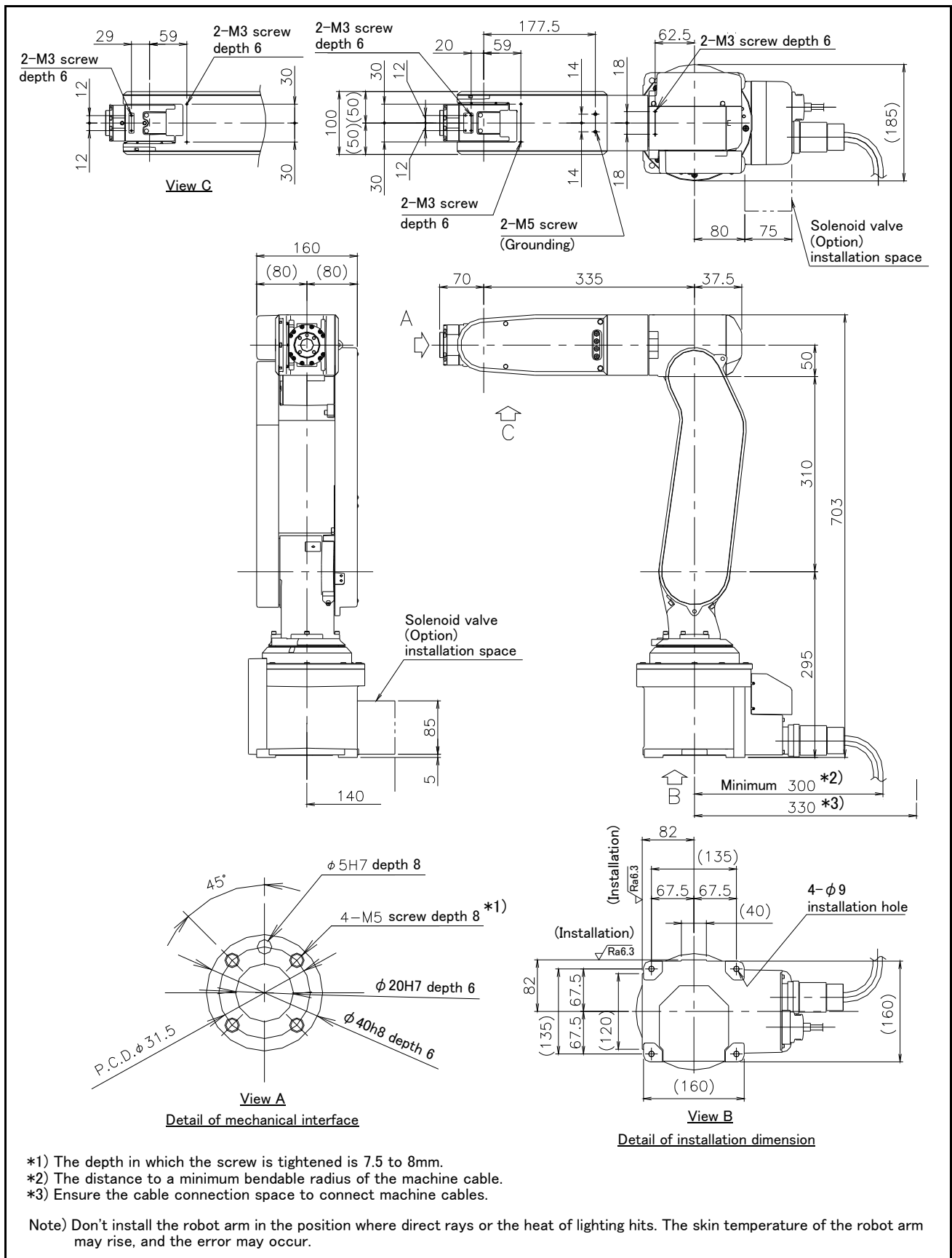


Fig.2-6 : RV-2FL/2FLB outside dimensions (standard specification (CR750/CR751), CE Marking specification (CR751))

(5) RV-2FL/2FLB (CE Marking specification (CR750))

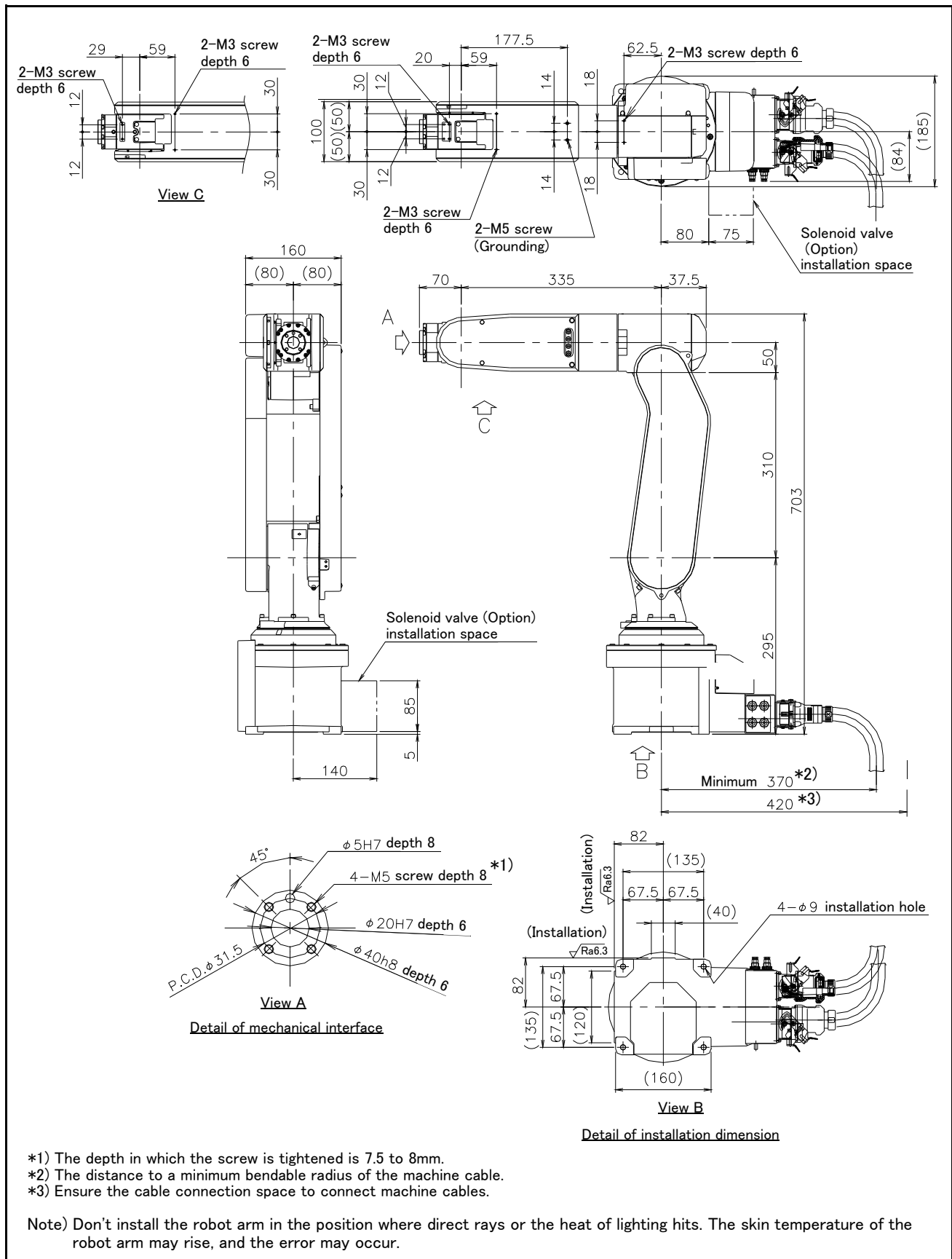


Fig.2-7 : RV-2FL/2FLB outside dimensions (CE Marking specification (CR750))

(6) RV-2FL/2FLB operating range (Common to the standard/CE Marking specification)

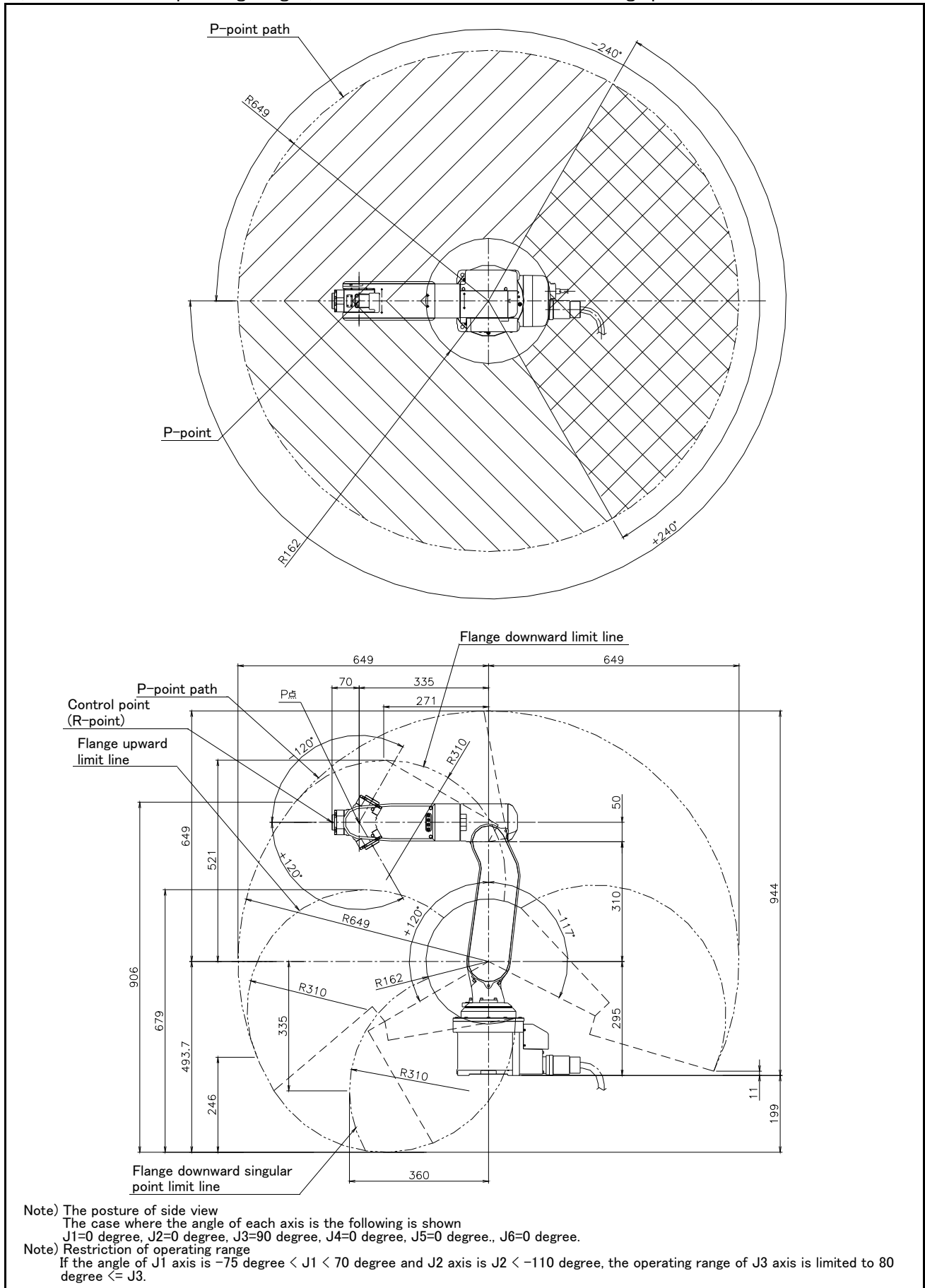
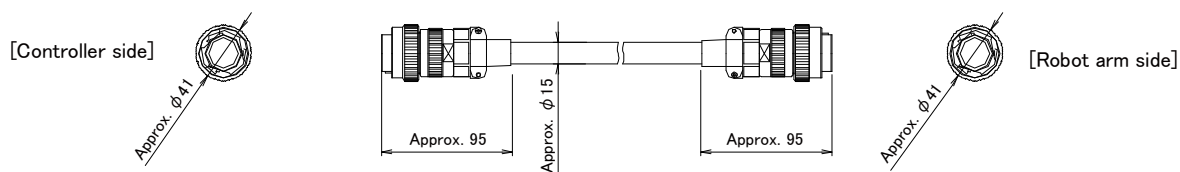


Fig.2-8 : RV-2FL/2FLB operating range diagram (Common to the standard/CE Marking specification)

2.4.1 Outside dimensions of machine cables

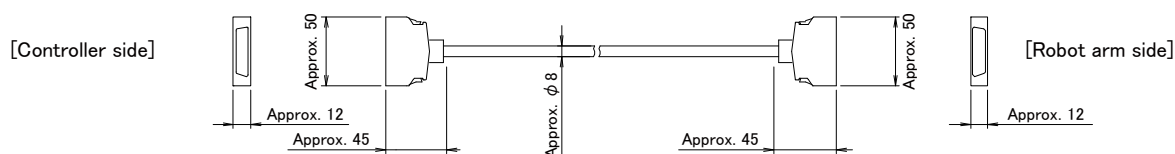
(1) Connection with the CR750 controller (For standard specification)

1) Power cable



Note) If using an optional machine cable extension, refer to Page 30, "(1) Machine cable extension" in a diameter of the cable.

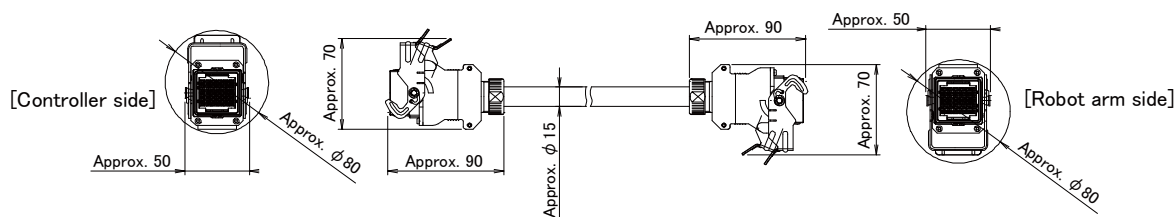
2) Signal cable



Note) If using an optional machine cable extension, refer to Page 30, "(1) Machine cable extension" in a diameter of the cable.

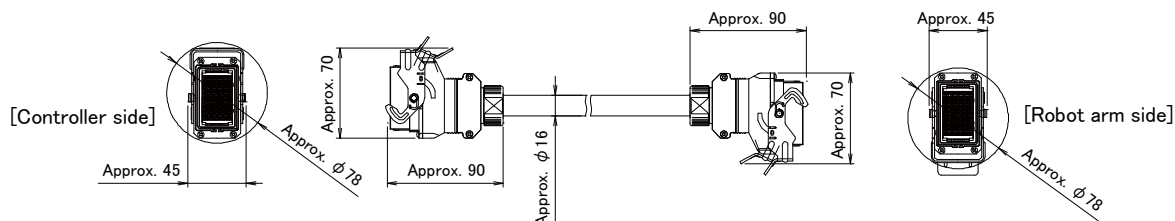
(2) Connection with the CR750 controller (For CE Marking/KC mark specification)

1) Power cable



Note) If using an optional machine cable extension, refer to Page 30, "(1) Machine cable extension" in a diameter of the cable.

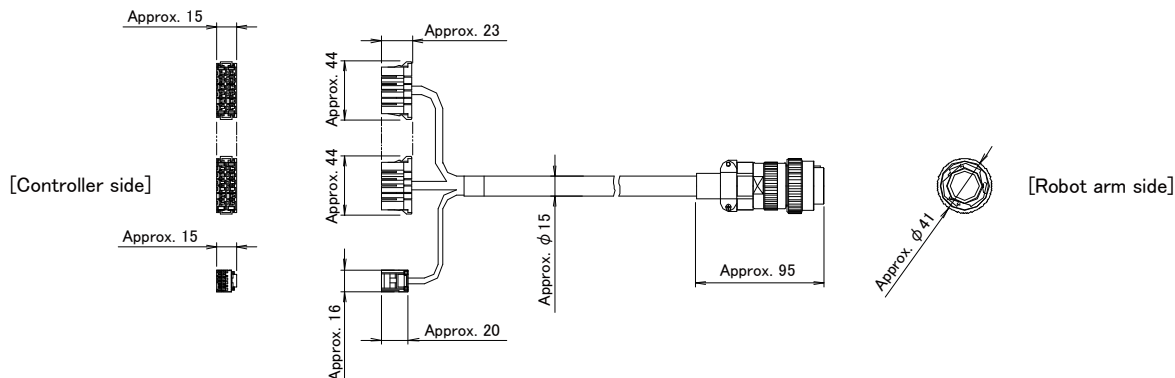
2) Signal cable



Note) If using an optional machine cable extension, refer to Page 30, "(1) Machine cable extension" in a diameter of the cable.

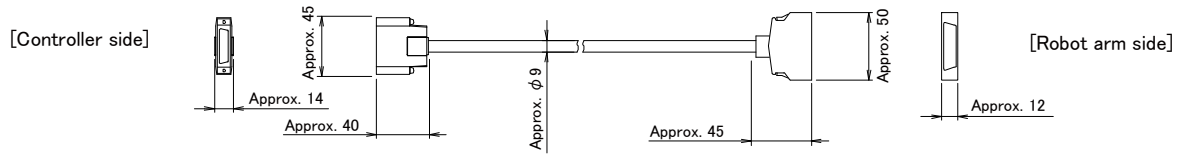
(3) Connection with the CR751 controller (For standard/CE Marking/KC mark specification)

1) Power cable



Note) If using an optional machine cable extension, refer to Page 30, "(1) Machine cable extension" in a diameter of the cable.

2) Signal cable



Note) If using an optional machine cable extension, refer to [Page 30, "\(1\) Machine cable extension"](#) in a diameter of the cable.

2.5 Tooling

2.5.1 Wiring and piping for hand

Shows the wiring and piping configuration for a standard-equipped hand.

(1) RV-2F series (standard specification (CR750/751), CE Marking specification (CR751))

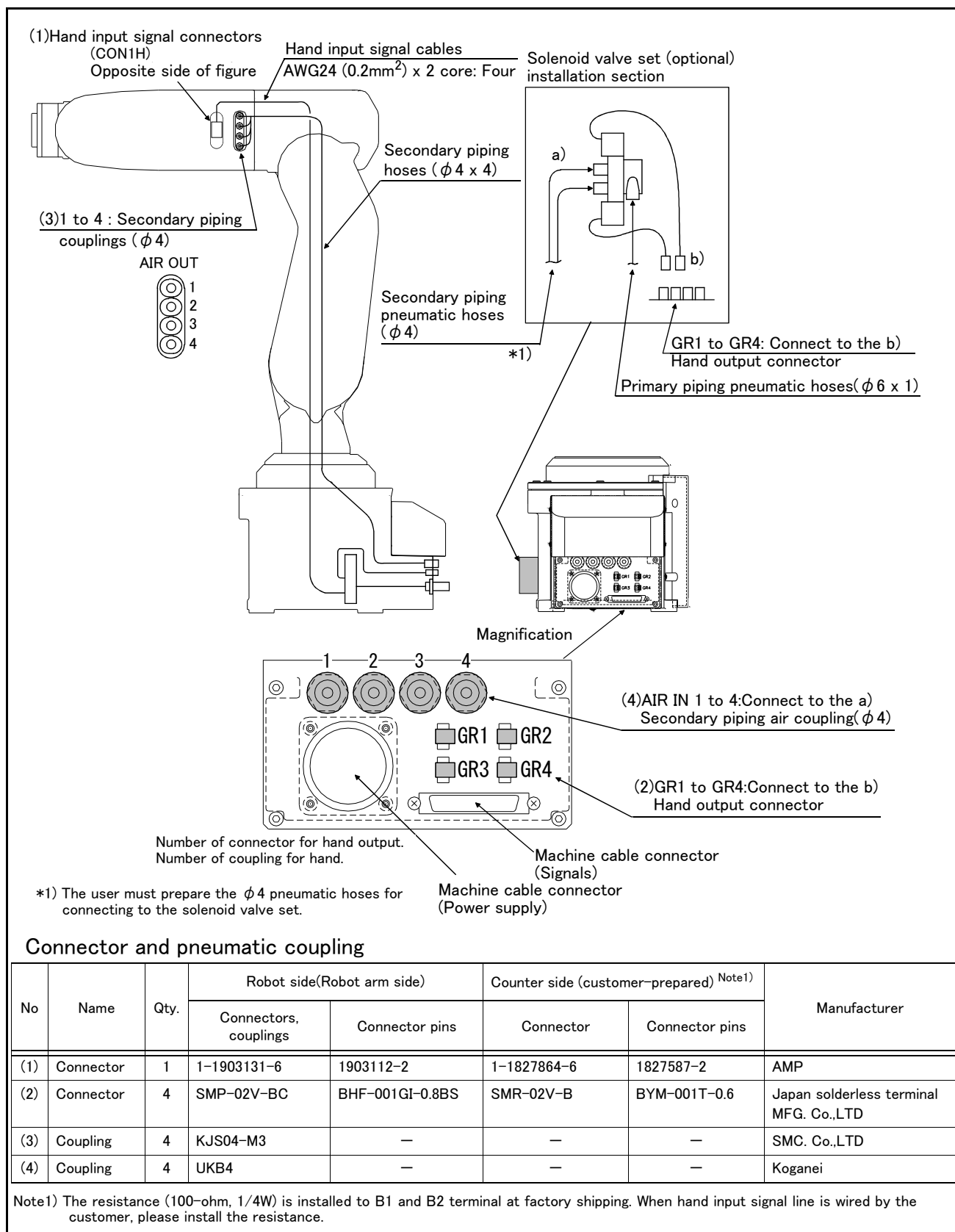


Fig.2-9 : Wiring and piping for hand (standard specification (CR750/751), CE Marking specification (CR751))

(2) RV-2F series (CE Marking/KC mark specification (CR750))

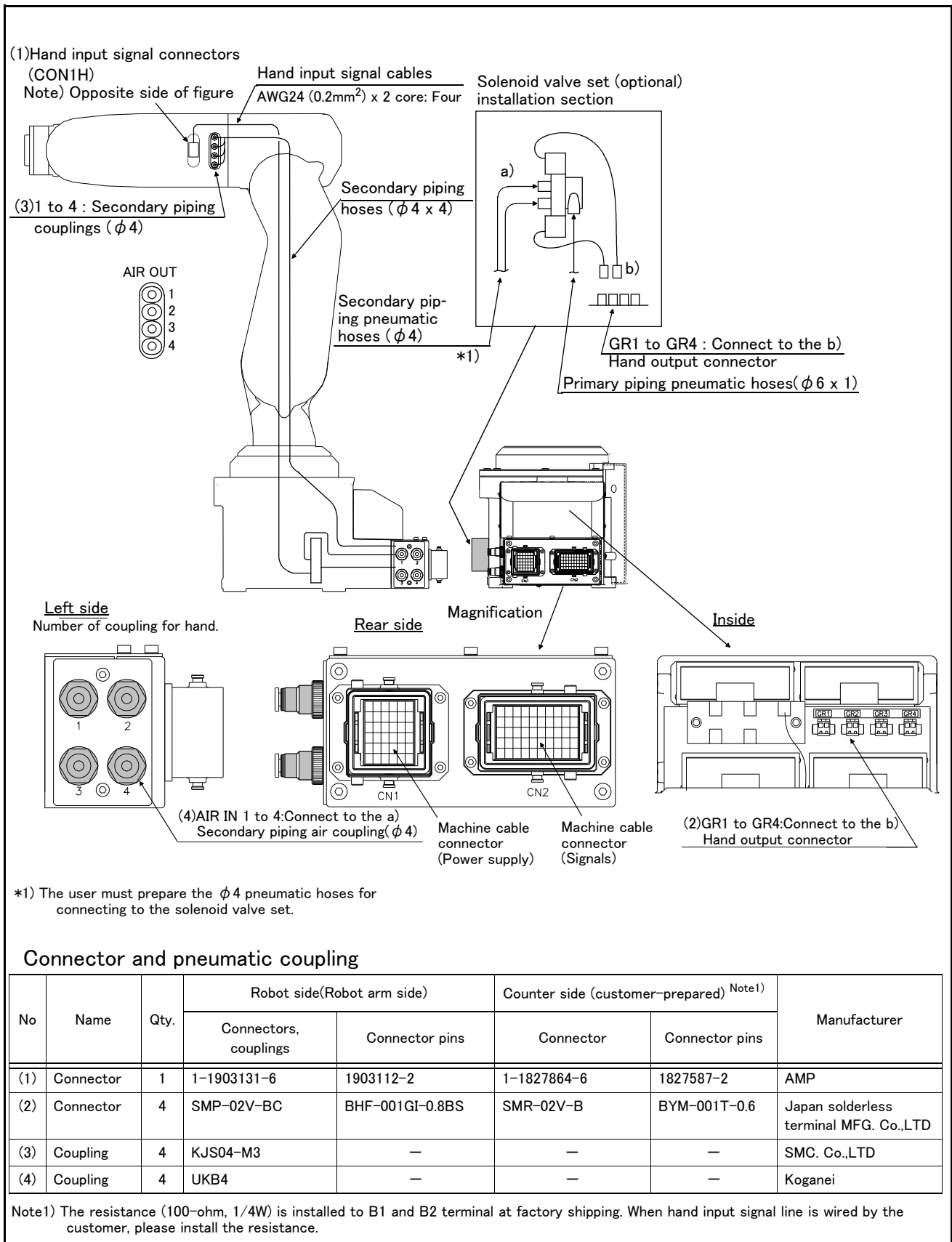


Fig.2-10 : Wiring and piping for hand (CE Marking/KC mark specification (CR750))

2.5.2 Internal air piping

- 1) The robot has four $\phi 4 \times 2.5$ urethane hoses from the pneumatic entrance on the base section to the forearm side. The hose end section has four coupling bridges for a $\phi 4$ hose on both the base and forearm side
- 2) The robot can have up to two pneumatic valve sets on the side of base (optional). (Refer to [Page 36](#), "(3) Solenoid valve set")

2.5.3 Internal wiring for the hand output cable

- 1) The hand output cable extends from the connector of the base section to the back side of the base section. (AWG#24(0.2mm²) x 2: 8 cables) The cable terminals have connector bridges for four hand outputs. The connector names are GR1 to GR4.

2.5.4 Internal wiring for the hand input cable

The hand check input cable is wired to four points on the forearm side from the base. To extend the wiring to the outside of the arm, a separate cable (optional "hand input cable "1S-HC30C-11" is recommended) is required.

Note) Refer to [Page 38](#), "(4) Hand input cable" for wiring diagram, and always should connect the 100-ohm resistance to B1 and B2 terminals .

2.5.5 Wiring and piping system diagram for hand

Shows the wiring and piping configuration for a standard-equipped hand.

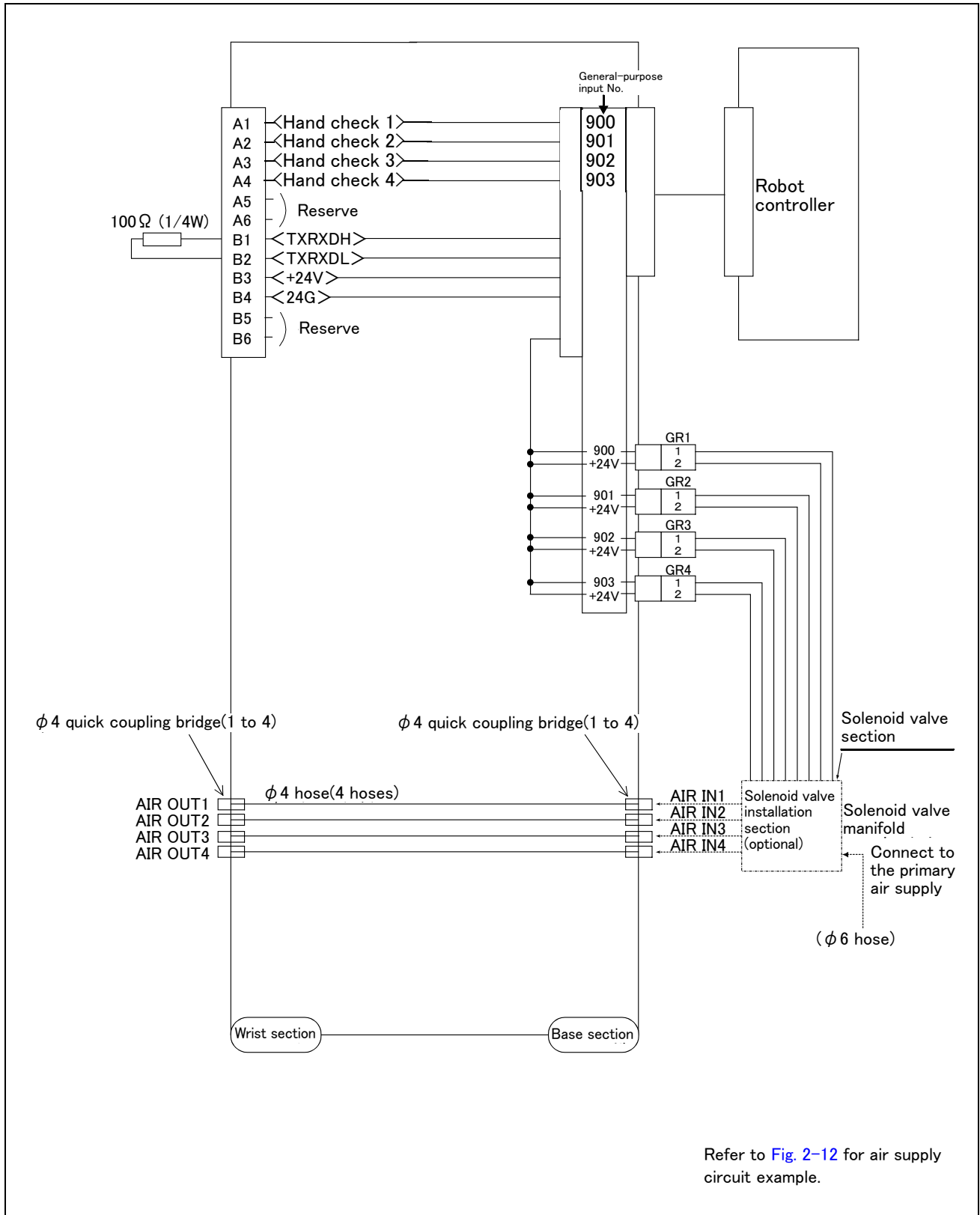


Fig.2-11 : Wiring and piping system diagram for hand and example the solenoid valve installation

2.5.6 Electrical specifications of hand input/output

Table 2-5 : Electrical specifications of input circuit

Item	Specifications	Internal circuit	
Type	DC input	<div style="display: flex; flex-direction: column; align-items: center;"> <div style="text-align: center; margin-bottom: 20px;"> <p><Sink type></p> </div> <div style="text-align: center;"> <p><Source type></p> </div> <p style="margin-top: 20px;">* HCn = HC1 to HC4</p> </div>	
No. of input points	8		
Insulation method	Photo-coupler insulation		
Rated input voltage	24VDC		
Rated input current	approx. 7mA		
Working voltage range	DC10.2 to 26.4V (ripple rate within 5%)		
ON voltage/ON current	8VDC or more/2mA or more		
OFF voltage/OFF current	4VDC or less/1mA or less		
Input resistance	Approx. 3.3kΩ		
Response time	OFF-ON		10ms or less (DC24V)
	ON-OFF		10ms or less (DC24V)

Table 2-6 : Electrical specifications of output circuit

Item	Specification	Internal circuit	
Type	Transistor output	<div style="display: flex; flex-direction: column; align-items: center;"> <div style="text-align: center; margin-bottom: 20px;"> <p><Sink type></p> </div> <div style="text-align: center;"> <p><Source type></p> </div> <p style="margin-top: 20px;">* GRn = GR1 to GR4</p> </div>	
No. of output points	8		
Insulation method	Photo coupler insulation		
Rated load voltage	DC24V		
Rated load voltage range	DC21.6 to 26.4VDC		
Max. current load	0.1A/ 1 point (100%)		
Current leak with power OFF	0.1mA or less		
Maximum voltage drop with power ON	DC0.9V(TYP.)		
Response time	OFF-ON		2ms or less (hardware response time)
	ON-OFF		2ms or less (resistance load) (hardware response time)
Protects	Protects the over-current (0.9A)		

2.5.7 Air supply circuit example for the hand

An example of pneumatic supply circuitry for the hand is shown below.

- (1) Make sure that a surge voltage protection circuit such as a diode is connected to the solenoid coil in parallel.
- (2) When the factory pneumatic pressure drops, as a result of the hand clamp strength weakening, there can be damage to the work. To prevent it, install a pressure switch to the source of the air as shown in Fig. 2-12 and use the circuit described so that the robot stops when pressure drops. Use a hand with a spring-pressure clamp, or a mechanical lock-type hand, that can be used in cases where the pressure switch becomes damaged.
- (3) The optional hand and solenoid valve are of an oilless type. If they are used, don't use any lubricator.
- (4) If the air supply temperature (primary piping) used for the tool etc. is lower than ambient air temperature, the dew condensation may occur on the coupling or the hose surface.

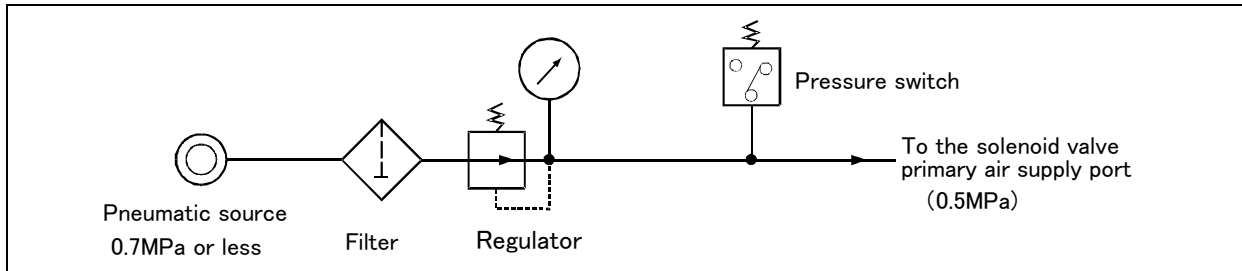


Fig.2-12 : Air supply circuit example for the hand

2.5.8 About the Installation of Tooling Wiring and Piping

The customer is required to provide tooling wiring, piping and metal fixtures.

Screw holes are provided on the robot arm for the installation of tooling wiring, piping and metal fixtures. (Refer to the [Page 14, "2.4 Outside dimensions • Operating range diagram"](#).)

The length of wiring and piping and the installation position on the robot must be adjusted according to the work to be done by the robot. Please use the following example as reference.

<Precautions>

- A hand input cable and a hand curl cable are available as optional accessories for your convenience.
- After performing wiring and piping to the robot, operate the robot at low speed to make sure that each part does not interfere with the robot arm and the peripheral devices.
- Please be aware that dust may be generated from friction if wires and pipes come into contact with the robot arm when using it according to the clean specifications.
- If you install metal fixtures and a solenoid valve using the screw holes on the No.2 arm portion, add the mass of the metal fixtures and the solenoid valve to mass of a hand and set to parameter: HNDDAT. Moreover, Fix the parts, such as a solenoid valve, firmly to prevent the parts getting shaky during operation of a robot.

2.6 Shipping special specifications, options, and maintenance parts

2.6.1 Shipping special specifications

■ What are shipping special specifications?

Shipping special specifications are changed before shipping from the factory. Consequently, it is necessary to confirm the delivery date by the customer.

To make changes to the specifications after shipment, service work must be performed at the work site or the robot must be returned for service.

■ How to order

- (1) Confirm beforehand when the factory special specifications can be shipped, because they may not be immediately available.
- (2) Specify, before shipping from our company.
- (3) Specified method ····· Specify the part name, model, and robot model type.

2.7 Options

■ What are options?

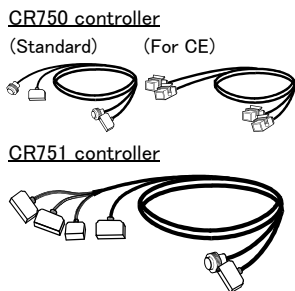
There are a variety of options for the robot designed to make the setting up process easier for customer needs. customer installation is required for the options. Options come in two types: "set options" and "single options".

1. Set optionsA combination of single options and parts that together, from a set for serving some purpose.
2. Single optionsThat are configured from the fewest number of required units of a part. Please choose customer's purpose additionally.

(1) Machine cable extension

- Order type: For CR750 controller.....● Fixed 1S- □□ CBL-11 (Standard specification)
 - Flexed 1S- □□ LCBL-11 (Standard specification)
 - Fixed 1S- □□ CBL-03 (CE marking specification)
 - Flexed 1S- □□ LCBL-03 (CE marking specification)
 - For CR751 controller.....● Fixed 1F- □□ UCBL-11
 - Flexed 1F- □□ LUCBL-11
- Note) The numbers in the boxes □□ refer the length.

■ Outline



The distance between the robot controller and the robot arm is extensible by this option.
 A fixed type and flexible type are available.
 The fix and flexible types are both configured of the motor signal cable and motor power cable.

■ Configuration

Table 2-7 : Configuration equipment and types

Part name	Type Note1)	Qty.		Mass (kg) Note2)	Remarks	
		Fixed	Flexed			
CR750 controller						
Standard specification						
Fixed	Set of signal and power cables	1S- □□ CBL-11	1 set	-	7.6(10m) 10.9(15m)	10m, or 15m each
	Motor signal cable		(1 cable)	-		
	Motor power cable		(1 cable)	-		
Flexed	Set of signal and power cables	1S- □□ LCBL-11	-	1 set	6.2.(5m) 11.0(10m) 15.4(15m)	5m, 10m, or 15m each
	Motor signal cable		-	(1 cable)		
	Motor power cable		-	(1 cable)		
CE marking specification						
Fixed	Set of signal and power cables	1S- □□ CBL-03	1 set	-	7.6(10m) 10.9(15m)	10m, or 15m each
	Motor signal cable		(1 cable)	-		
	Motor power cable		(1 cable)	-		
Flexed	Set of signal and power cables	1S- □□ LCBL-03	-	1 set	6.2.(5m) 11.0(10m) 15.4(15m)	5m, 10m, or 15m each
	Motor signal cable		-	(1 cable)		
	Motor power cable		-	(1 cable)		
Nylon clamp	NK-14N		-	2 pcs.	-	for motor signal cable
Nylon clamp	NK-18N		-	2 pcs.	-	for motor power cable
Silicon rubber			-	4 pcs.	-	
CR751 controller						
Fixed	Set of signal and power cables	1F- □□ UCBL-11	1 set	-	7.6(10m) 10.9(15m)	10m, or 15m each
	Motor signal cable		(1 cable)	-		
	Motor power cable		(1 cable)	-		
Flexed	Set of signal and power cables	1F- □□ LUCBL-11	-	1 set	6.2.(5m) 11.0(10m) 15.4(15m)	5m, 10m, or 15m each
	Motor signal cable		-	(1 cable)		
	Motor power cable		-	(1 cable)		
Nylon clamp	NK-14N		-	2 pcs.	-	for motor signal cable
Nylon clamp	NK-18N		-	2 pcs.	-	for motor power cable
Silicon rubber			-	4 pcs.	-	

Note1) The numbers in the boxes □□ refer the length.
 Note2) Mass indicates one set.

■ Specifications

The specifications for the fixed type cables are the same as those for standard cables.
Shows usage conditions for flexed type cables in [Table 2-8](#).

Table 2-8 : Conditions for the flexed type cables

Item		Specifications	
Cable ^{Note1)}		1S- □□ LCBL-11/1F- □□ LUCBL-11	1S- □□ LCBL-03
Minimum flexed radius		100mm or more	
Cableveyor, etc., occupation rate		50% or less	
Maximum movement speed		2,000mm/s or less	
Guidance of life count		7.5 million times (With silicone grease coating)	
Environmental proof		IP30	IP54
Cable configuration	Motor signal cable	φ 6 x 6	φ 6 x 5, φ 8.5 x 1, and φ 1.7 x 1
	Motor power cable	φ 6.5 x 10	

Note1) The square in the cable name indicates the cable length.

[Caution] The guidance of life count may greatly differ according to the usage state items related to [Table 2-8](#) and to the amount of silicon grease applied in the cableveyor.

Recommendation grease: G-501 (Supplier: Shin-Etsu Chemical Co., Ltd.)

[Caution] When a cableveyor is used, partitions are required to avoid overlapping or riding up of the cables. Also, adjust the cable length to eliminate tension or excessive looseness, and fix it securely.

■ Cable configuration

The configuration of the flexible cable is shown in [Table 2-9](#). Refer to this table when selecting the cableveyor.

Table 2-9 : Cable configuration (Flexed type)

Item	Motor signal cable			Motor power cable
1S- □□ LCBL-11/1F- □□ LUCBL-11 ^{Note1)}				
No. of cores	AWG#24(0.2mm ²)-4P			AWG #18 (0.75mm ²)-3C
Finish dimensions	Approx. φ 6mm			Approx. φ 6.5mm
No. of cables used	6 cables			10 cables
No. in total	6 cables			10 cables
1S- □□ LCBL-03 ^{Note1)}				
No. of cores	AWG#24(0.2mm ²)-4P	AWG#24(0.2mm ²)-7P	AWG#18(0.75mm ²)	AWG #18 (0.75mm ²)-3C
Finish dimensions	Approx. φ 6mm	Approx. φ 8.5mm	Approx. φ 1.7mm	Approx. φ 6.5mm
No. of cables used	5 cables	1 cable	1 cable	10 cables
No. in total	7 cables			10 cables

Note1) The square in the cable name indicates the cable length.

■ Fixing the flexible cable

- (1) Connect the connector to the robot arm.
- (2) Wind the silicon rubber around the cable at a position 300 to 400 mm from the side of robot arm and drive unit as shown in Fig. 2-13 (CR750: standard specification), Fig. 2-14 (CR750: CE Marking/KC mark specification) or Fig. 2-15 (CR751), and fix with the nylon clamp to protect the cable from external stress.

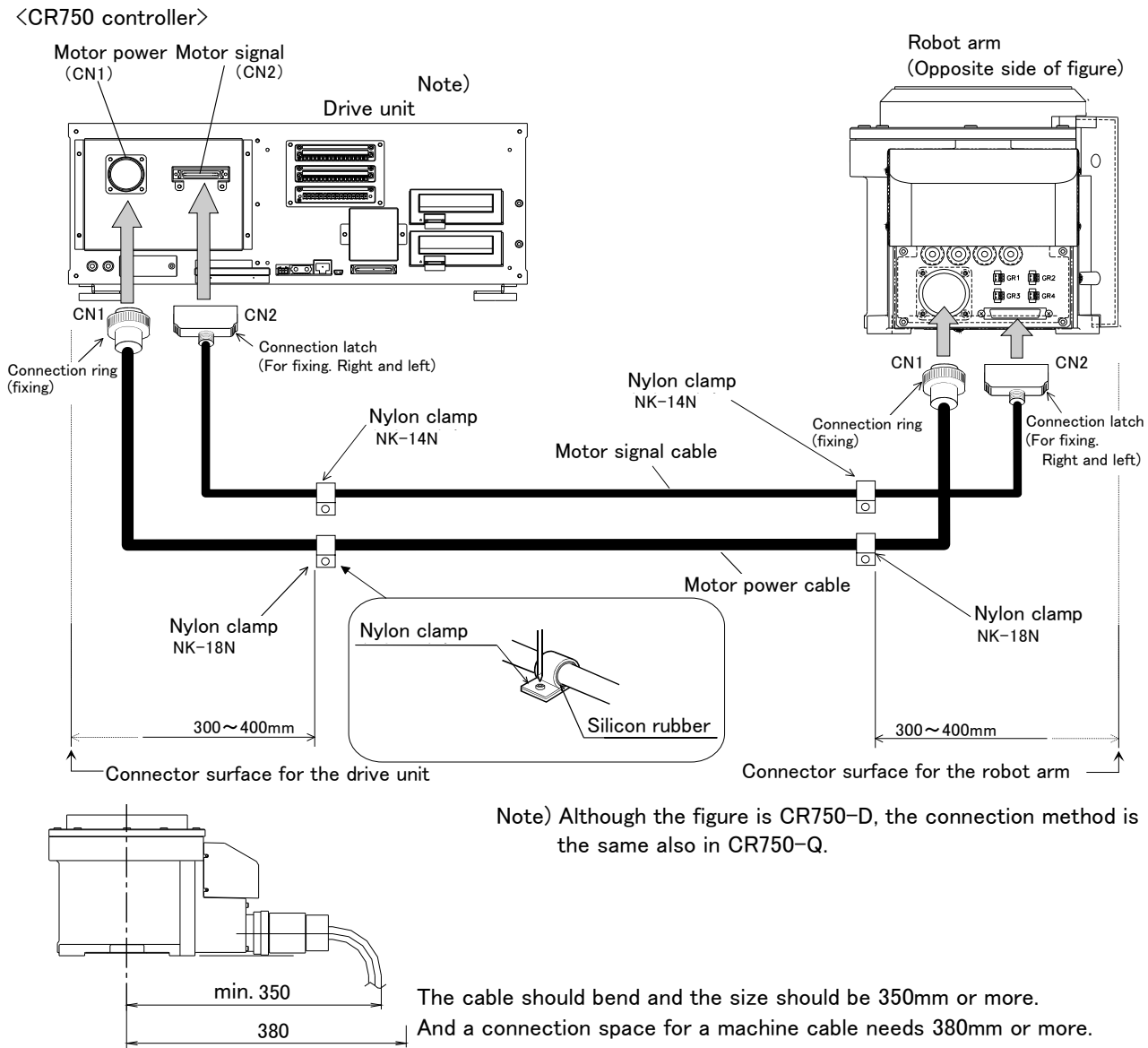
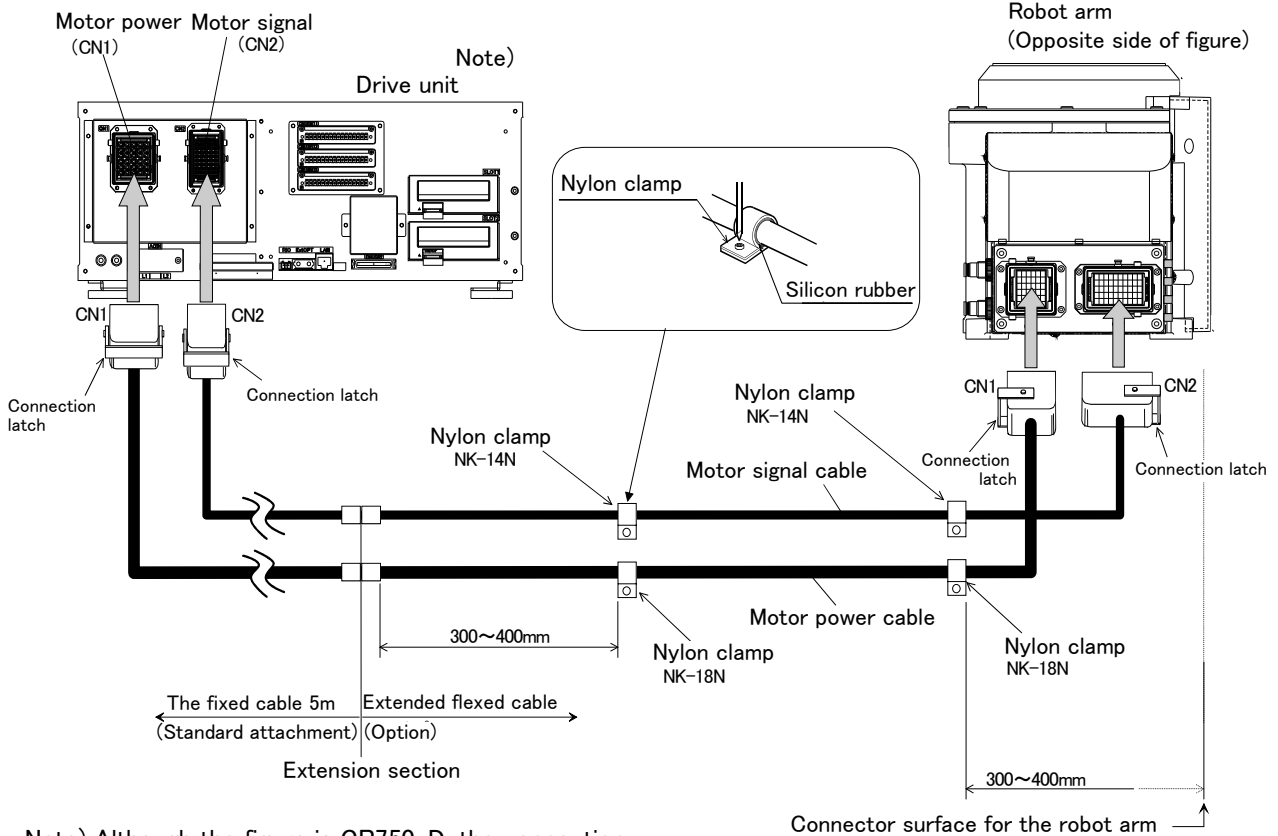


Fig.2-13 : Fixing the flexible cable (CR750: standard specification)

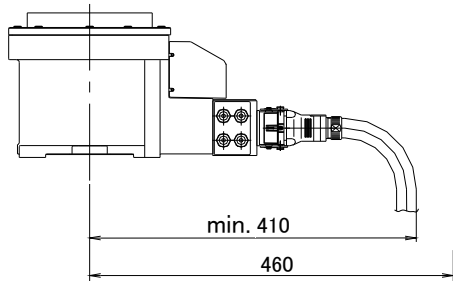
<CR750 controller CE marking specification>



Note) Although the figure is CR750-D, the connection method is the same also in CR750-Q.

CAUTION

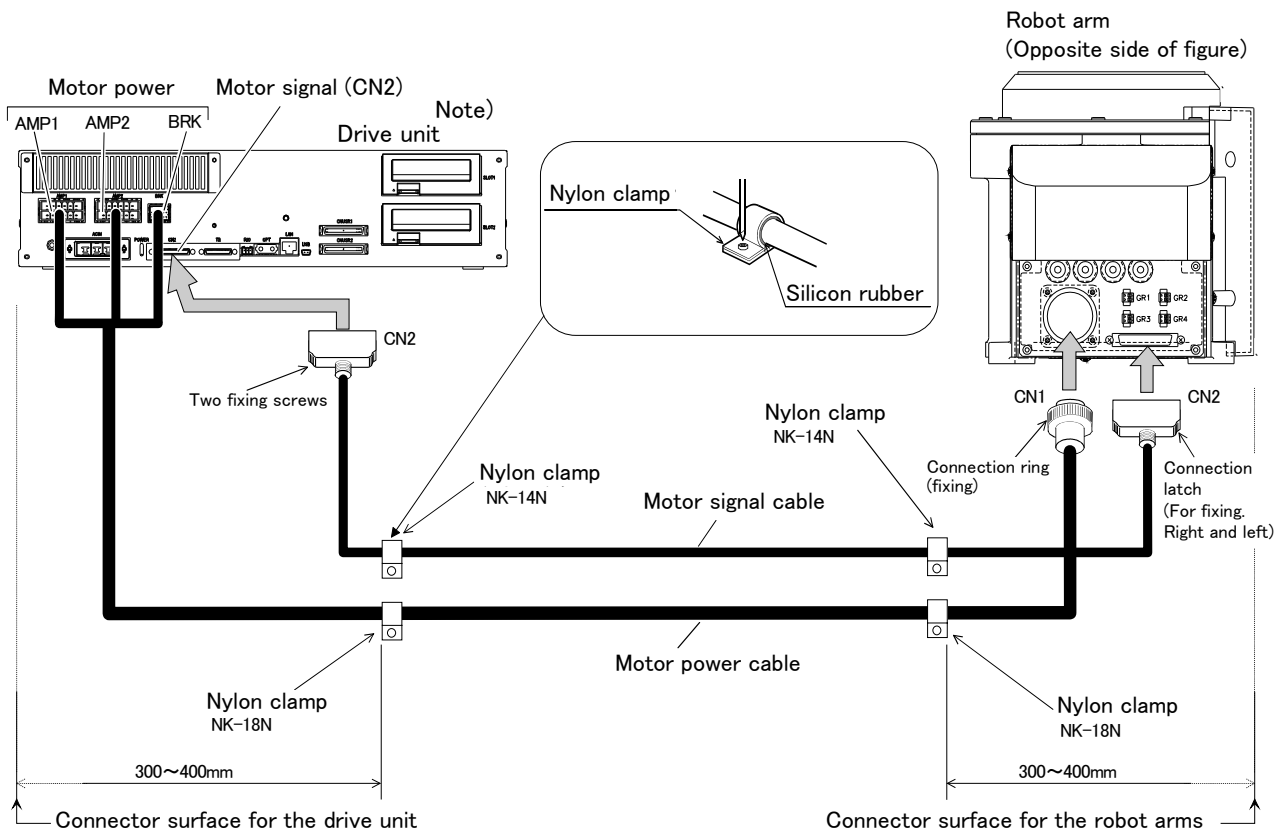
Cover the extension connection section with the cover etc. so that the connector latch part may not touch easily.



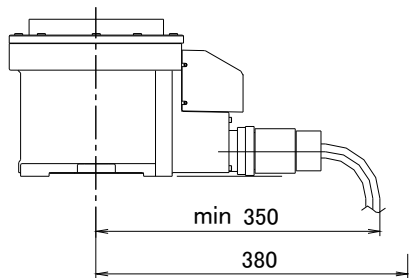
The cable should bend and the size should be 410mm or more. And a connection space for a machine cable needs 460mm or more.

Fig.2-14 : Fixing the flexible cable (CR750 CE Marking/KC mark specification)

<CR751controller>



Note) Although the figure is CR750-D, the connection method is the same also in CR750-Q.



The cable should bend and the size should be 350mm or more.
 And a connection space for a machine cable needs 380mm or more.

Fig.2-15 : Fixing the flexible cable (CR751)

(2) Stopper for changing the operating range

- Order type J1 axis: 1S-DH-11J1
J2 axis: 1S-DH-11J2
J3 axis: 1S-DH-11J3

■ Outline



The operating range of J1, J2 or J3 axis is limited by the robot arm's mechanical stopper and the controller parameters.
If the axis could interfere with the peripheral devices, etc., and the operating range need to be limited, use this.

■ Configuration

Table 2-10 : Configuration devices

Part name	Type	Qty.	Mass(kg)	Remarks
Stopper for changing the operating range	1S-DH-11J1	1 pcs.	0.5	Variable stopper block: One set Fixing stopper: Two blocks Installation screw (M5 x 20): Six screws
	1S-DH-11J2	1 pcs.	0.1	Stopper A: One block Stopper B: One block Installation screw (M4 x 10): Four screws
	1S-DH-11J3	1 pcs.	0.1	Stopper: One set Installation screw (M4 x 10): One screw (M4 x 25): One screw

■ Specifications

Table 2-11 : Specifications

Axis		Standard	Changeable angle ^{Note1)}
J1	+ side	+240 degree	Change to +210(+217), +150(+155) or +90 (+93) degree are possible.
	- side	-240 degree	Change to -210(-217), -150(-155) or -90 (-93) degree are possible.
J2	+ side	+120 degree	Change to +30(+33) degree is possible.
	- side	-120 degree (RV-2F/2FB)	Change to -30(-33) degree is possible.
		-117 degree (RV-2FL/2FLB)	
J3	+ side	+160 degree	Nothing
	- side	0 degree	Change to +70(+69) degree is possible.

Note 1) The number in bracket () shows the mechanical stopper's installation position.

Note 2) Change of the operating range has limitation of combination. Change the operating range to +/-150, +/-90, +210 to -90, +90 to -210, +150 to -90 or +90 to -150 degree are possible.

Table 2-12 : Operating range change combination of the J1 axis.

	+210	+150	+90
-210	x	x	○
-150	x	○	○
-90	○	○	○

O: Possible. X: Impossible.

The operating range change stopper installs in the position (near 0 degree) that the J1 axis has turned to the front.

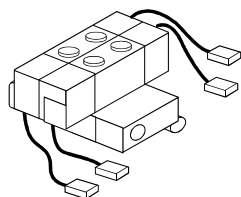
Note 3) Change the operating range to +70 to +160 degree is possible.

- (1) The changeable angle shown in Table 2-11 indicates the operation range by the software. The changeable angle of + side and - side can be changed independently.
- (2) The operating range is changed with robot arm settings (installation of the stopper) and parameter settings. Refer to the separate "Instruction Manual/ROBOT ARM SETUP & MAINTENANCE" and "Instruction Manual/Detailed Explanation of Functions and Operations" for details.

(3) Solenoid valve set

- Order type : One set : 1E-VD01(Sink type)/1E-VD01E(Source type)
Two sets : 1E-VD02(Sink type)1E-VD02E(Source type)

■ Outline



The solenoid valve set is an option that is used for controlling toolings when various toolings, such as the hand, are installed at the end of the arm. Also, for easy installation of this electromaagnetic set onto the robot, it comes equipped with a manifold, couplings, connectors, among other things.

■ Configuration

Table 2-13 : Configuration equipment

Part name	Type	Q'ty		Remark
		One set	Two sets	
Solenoid valve set (1 set)	1E-VD01/1E-VD01E	1 pc.	—	M3 x 25 two screws (installation screws).
Solenoid valve set (2 sets)	1E-VD02/1E-VD02E	—	1 pc.	

■ Specifications

Table 2-14 : Valve specifications

Item	Specifications
Number of positions	2
Port	5 Note1)
Valve function	Double solenoid
Operating fluid	Clean air Note2)
Operating method	Internal pilot method
Effective sectional area (CV value)	1.5mm ² (0.08)
Oiling	Unnecessary
Operating pressure range	0.2 to 0.7MPa
Response time	12msec or less
Max. operating frequency	5Hz
Ambient temperature	5 to 50 °C

Note1) Couplings of unused solenoid valves must be blocked with plugs. If they are not blocked, supplied air will blow out from the couplings, lowering the air pressure of the solenoid valves being used and making them nonfunctional.

Recommended plugs: KQ2P-04 plug made by SMC

Note2)

CAUTION The air to be provided must be clean, i.e., filtered with a mist separator or air filter. Failing to do so may lead to malfunctions.

Table 2-15 : Solenoid specifications

Item	Specifications
Method	Built-in fly-wheel diodes with surge protection
Operation voltage	DC24V ±10%
Current value	40mA
Insulation	B type
Insulation resistance	100MΩ or more
Surge protection	Fly-wheel diode

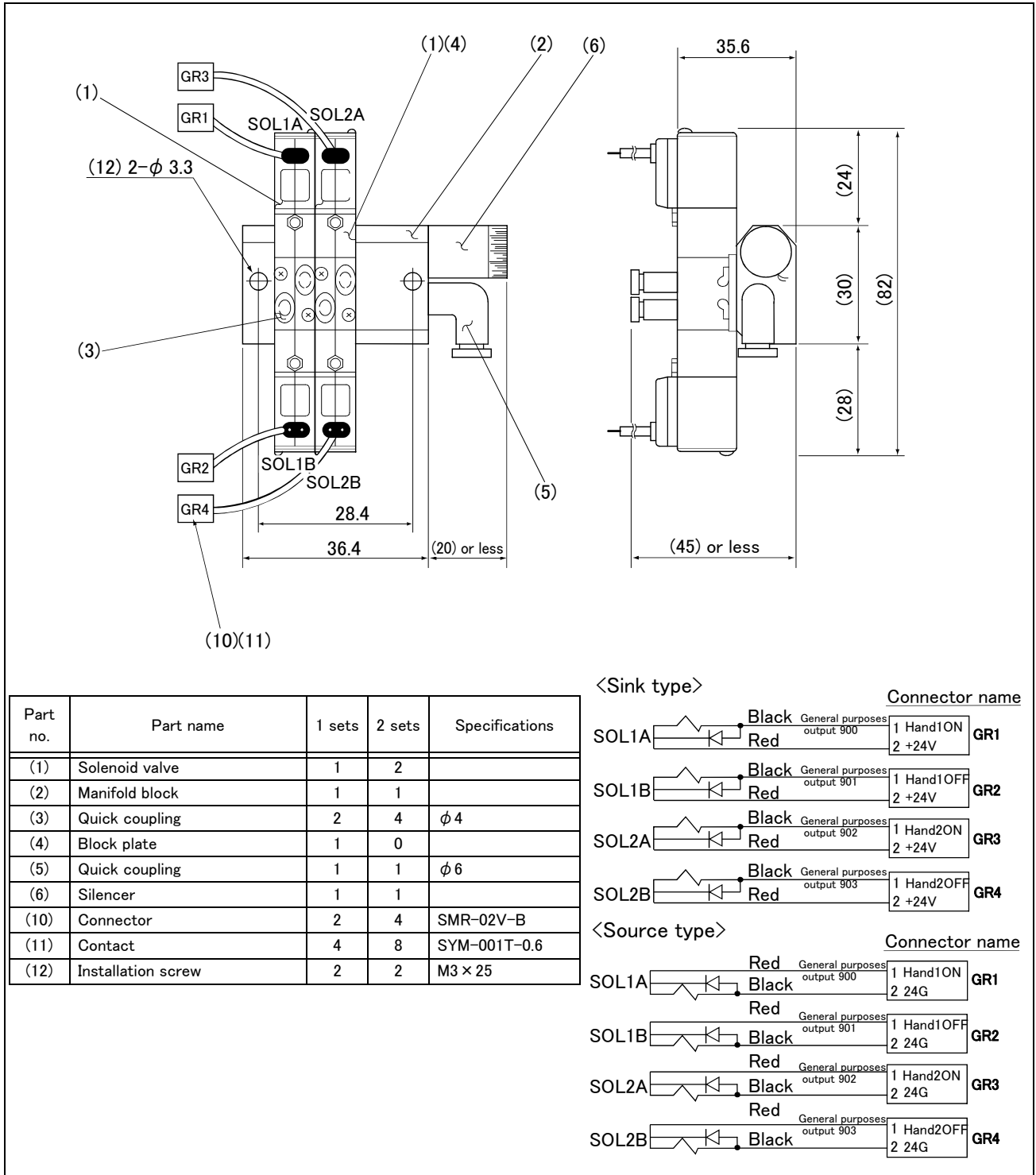


Fig.2-16 : Outline dimensional drawing

(4) Hand input cable

■ Order type: 1S-HC30C-11

■ Outline



The hand input cable is used for customer-designed pneumatic hands. It is necessary to use this to receive the hand's open/close confirmation signals and grasping confirmation signals, at the controller. One end of the cable connects to the connector for hand input signals, which is in the wrist section of the hand. The other end of the cable connected to the sensor inside the hand customer designed.

■ Configuration

Table 2-16 : Configuration equipment

Part name	Type	Qty.	Mass (kg) ^{Note1)}	Remarks
Hand input cable	1S-HC30C-11	1 cable	0.2	

Note1) Mass indicates one set.

■ Specifications

Table 2-17 : Specifications

Item	Specifications	Remarks
Size x cable core	AWG#24 (0.2 mm ²) × 12 cores	One-sided connector, one-sided cable bridging
Total length	700mm (Including the curl section, which is 300mm long)	

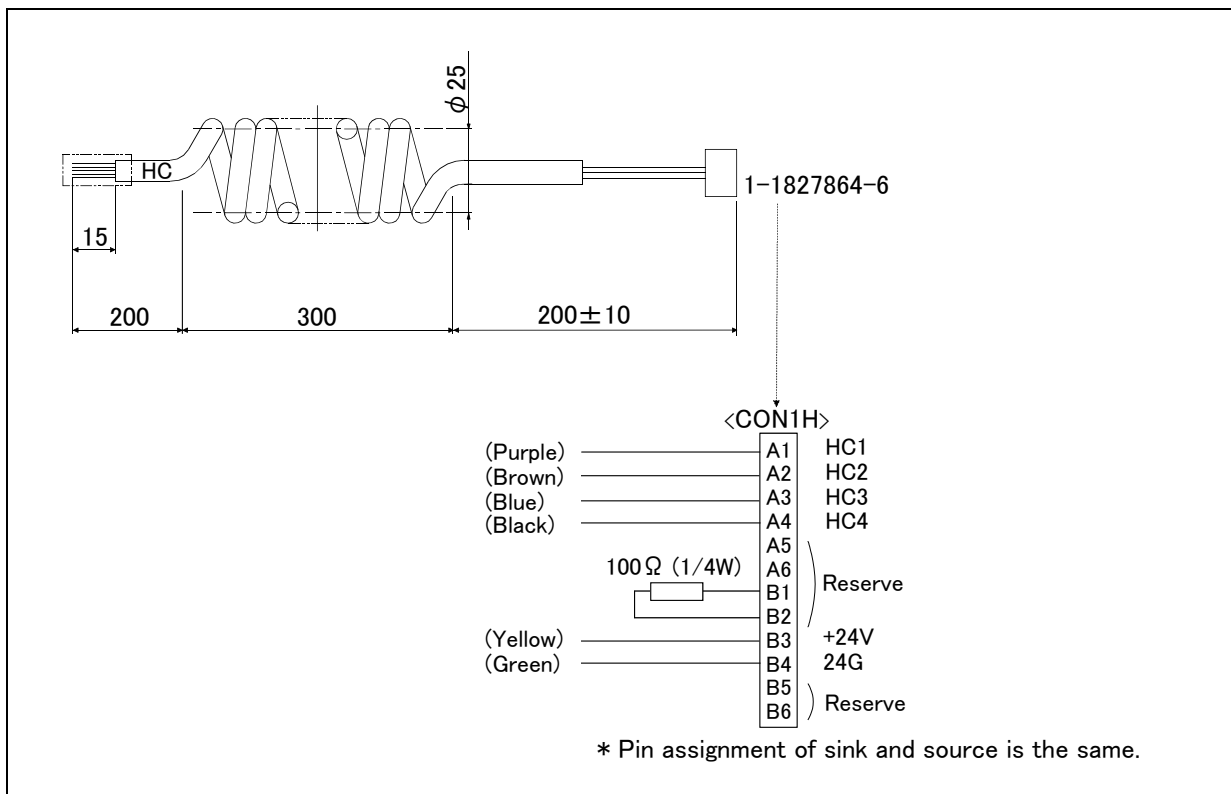
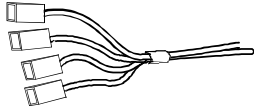


Fig.2-17 : Outside dimensional drawing and pin assignment

(5) Hand output cable

■ Order type: 1E-GR35S

■ Outline



The hand output cable (solenoid valve connection cable) is an option that is used when a solenoid valve other than one of the solenoid valve set options, is used. One end of the cable has a connector that connects to the input terminal inside the robot. The other end of the cable is connected.

■ Configuration

Table 2-18 : Configuration equipment

Part name	Type	Qty.	Mass (kg) ^{Note1)}	Remarks
Hand output cable	1E-GR35S	1 cable	0.1	

Note1) Mass indicates one set.

■ Specifications

Table 2-19 : Specifications

Item	Specifications	Remarks
Size x Cable core	AWG#22(0.3mm ²) × 8 cores	One side connector and one side cable connection
Total length	350mm	

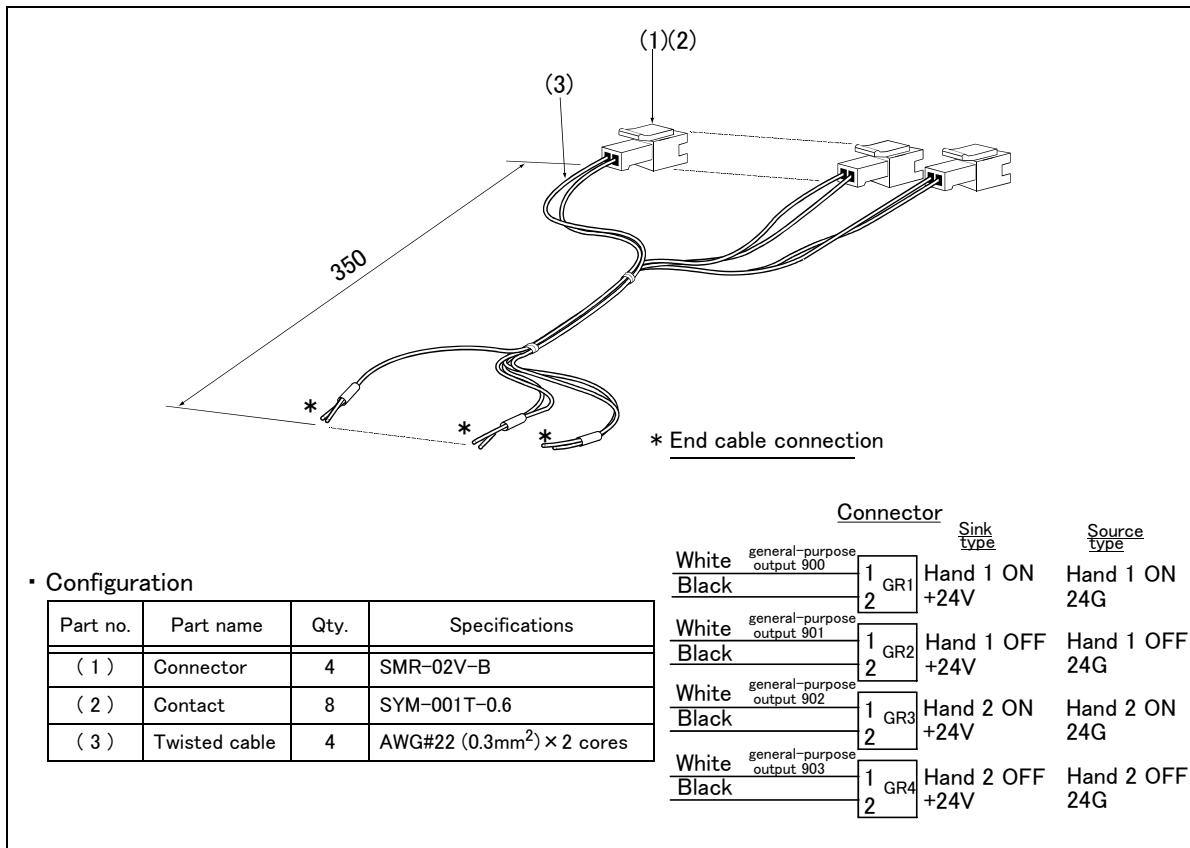
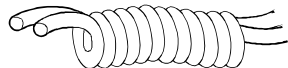


Fig.2-18 : Outline dimensional drawing and pin assignment

(6) Hand curl tube

- Order type: One set :1E-ST0402C
Two sets :1E-ST0404C

■ Outline



The hand curl tube is a curl tube for the pneumatic hand.

■ Configuration

Table 2-20 : Configuration equipment

Part name	Type	Qty.	Mass(kg) ^{Note1)}	Remarks
Hans curl tube (One set: 2 pcs.)	1E-ST0402C	1 pc.	0.1	φ 4 tube, 2pcs.
Hans curl tube (Two set: 4 pcs.)	1E-ST0404C	1 pc.	0.1	φ 4 tube, 4pcs.

Note1) Mass indicates one set.

■ Specifications

Table 2-21 : Specifications

Item	Specifications
Material	Urethane
Size	Outside diameter: φ 4 x Inside diameter: φ 2.5

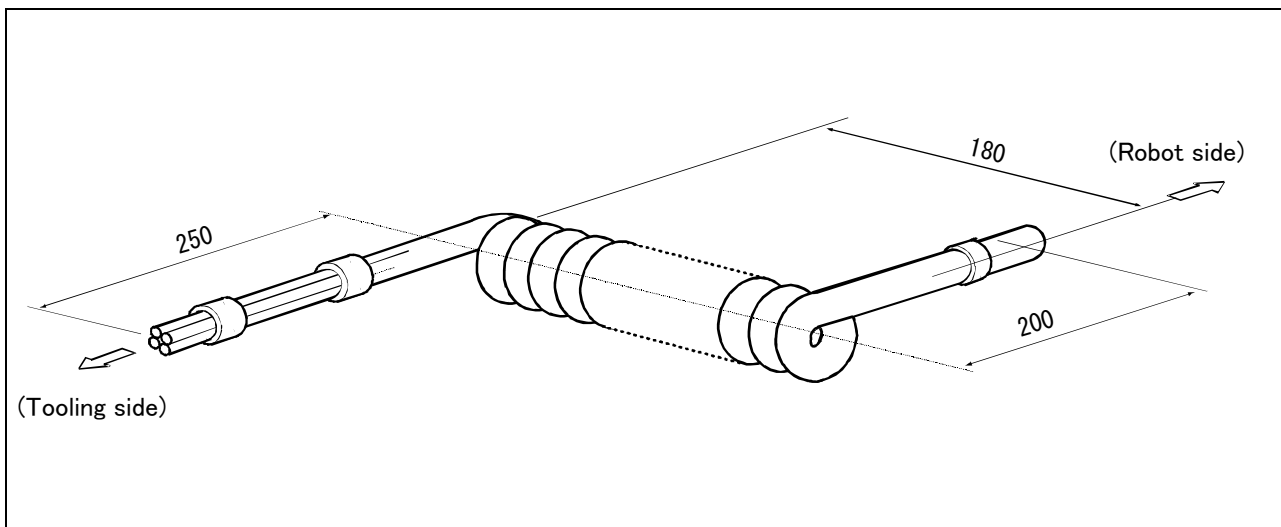


Fig.2-19 : Outline dimensional drawing

2.8 About Overhaul

Robots which have been in operation for an extended period of time can suffer from wear and other forms of deterioration. In regard to such robots, we define overhaul as an operation to replace parts running out of specified service life or other parts which have been damaged, so that the robots may be put back in shape for continued use. As a rule of thumb, it is recommended that overhaul be carried out before the total amount of servo-on time reaches the specified time (24,000 hours for the robot arm and 36,000 hours for the controller) (See Fig. 2-20.). However, the degree of the equipment's wear and deterioration presumably varies depending on their operating conditions. Especially for operation with high load and frequency, the maintenance cycle may be shorter. For details on the part selection for replacement and the timing of overhaul, contact your dealer.

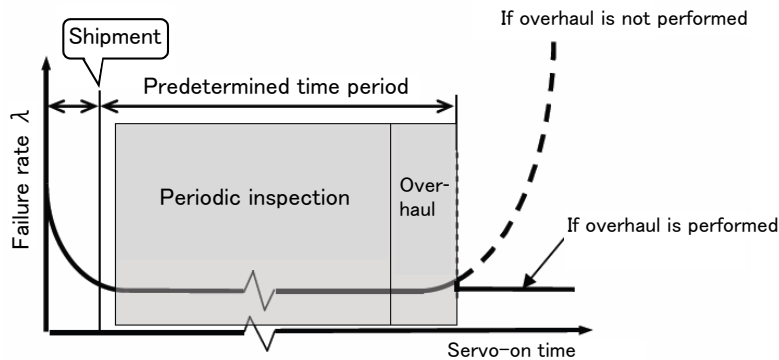


Fig.2-20 : Periodic inspection/overhaul periods

2.9 Maintenance parts

The consumable parts used in the robot arm are shown in [Table 2-22](#). Purchase these parts from the designated maker or dealer when required. Some Mitsubishi-designated parts differ from the maker's standard parts. Thus, confirm the part name, robot arm and controller serial No. and purchase the parts from the dealer.

Table 2-22 : Consumable part list

No.	Part name	Type ^{Note1)}	Usage place	Qty.	Supplier
1	Grease		Reduction gears of each axis	As needed	Mitsubishi Electric
2	Lithium battery	ER6V	In the battery cover	4 pcs.	

Note1) Confirm the robot arm serial No., and contact the dealer or service branch of Mitsubishi Electric Co., for the type.

3 Controller

3.1 Standard specifications

3.1.1 Basic specifications

Use the robot CPU unit which consists of CR750-Q/CR751-Q/CR760-Q controllers, equipping the base unit of the sequencer of the MELSEC-Q series of our company. Specifications such as the power supply and outside dimension of the robot CPU unit are the same as the sequencer's specification. Refer to Page 49 "Fig. 3-3"(Names of each part), Page 52 "Fig. 3-6" and Page 53 "Fig. 3-7" (Outside dimensions)

Although the specification with which the robot CPU unit and the drive unit (box which mounts the servo amplifier for the robots, the safety circuit, etc.) were put together is shown in Table 3-1, the specification of the drive unit is mainly described.

Table 3-1 : Specifications of controller

Item	Unit	Specification	Remarks	
Type		CR750-02VQ-1 CR751-02VQ-0		
Number of control axis		Simultaneously 6		
Memory capacity	Programmed positions	point	13,000	
	No. of steps	step	26,000	
	Number of program		256	
Robot language		MELFA-BASIC IV, V		
Teaching method		Pose teaching method, MDI method ^{Note1)}		
External input and output	Input and output	point	0/0	Multi-CPU shared device Input 8192/Output 8192 (Max.)
	Dedicated input/output		Assign to the multi-CPU shared device.	
	Hand open/close input/output	point	4/4	Built-in
	Emergency stop input	point	1	Duplicated
	Door switch input	point	1	Duplicated
	Enabling device input	point	1	Duplicated
	Emergency stop output	point	1	Duplicated
	Mode output	point	1	Duplicated
	Robot error output	point	1	Duplicated
	Addition axis synchronization	point	1	Duplicated
Mode changeover switch input	point	1	Duplicated (CR751 controller only)	
Interface	RS-422	port	1	Only for T/B
	Ethernet	port	1	10BASE-T/100BASE-Tx
	Additional axis interface	Channel	1	SSCNET III (Connects with MR-J3-BS, MR-J4-B series)
Power source	Input voltage range	V	Single phase, AC180 to 253	
	Power capacity	kVA	0.5	Does not include rush current. ^{Note2)}
	Power supply frequency	Hz	50/60	
Outline dimensions ^{Note3)}	mm	CR750 controller 430(W) x 425(D) x 174(H)	Excluding protrusions	
		CR751 controller 430(W) x 425(D) x 98(H)		
Mass	kg	CR750: Approx. 16		
		CR751: Approx. 12		
Construction		Self-contained floor type, Opened type. Installation vertically or horizontally	IP20 ^{Note4)}	
Operating temperature range	°C	0 to 40		
Ambient humidity	%RH	45 to 85	Without dew drops	
Grounding	Ω	100 or less	100Ω or less (class D grounding) ^{Note5)}	
Paint color		Dark gray	Equivalent to Munsell: 3.5PB3.2/0.8	

Note1) Pose teaching method: The method to register the current position of the robot arm.
MDI method: The method to register by inputting the numerical value Immediate.

Note2) The power capacity is the rating value for normal operation. The power capacity does not include the rush current when the power is turned ON. The power capacity is a guideline and the actual operation is affected by the input power voltage. The power consumption in the specific operation pattern with the RV-2F is approx. 0.33kW. The short circuit breaker should use the following.

* Operate by the current leakage under the commercial frequency domain (50–60Hz). If sensitive to the high frequency ingredient, it will become the cause in which below the maximum leak current value carries out the trip.

Note3) Refer to Page 50, "3.3.1 Outside dimensions" for details.

Note4) This controller is standard specification. (Refer to Page 44, "3.1.2 Protection specifications and operating supply".)

Note5) The robot must be grounded by the customer.

Table 3-2 : Robot CPU unit standard specification

Item		Unit	Specification	Remarks
Type			Q172DRCPU	
Interface	Addition axis synchronization	port	1	
Power source	Power capacity (DC5V)	A	1.25	
Outline dimension		mm	98(W) x 27.4(D) x 119.3(H)	
Mass		kg	0.33	
Operating temperature range		°C	0 to 55	
Ambient humidity		%RH	5 to 95	Without dew drops

3.1.2 Protection specifications and operating supply

A protection method complying with the IEC Standard IP20 (Opened type) is adopted for the controller. The IEC IP symbols refer only to the degree of protection between the solid and the fluids, and don't indicated that any special protection has been constructed for the prevention against oil and water.

【Information】

- The IEC IP20

It indicates the protective structure that prevents an iron ball $12^{+0.05}_0$ mm diameter, which is being pressed with the power of $3.1 \text{ kg} \pm 10\%$, from going through the opening in the outer sheath of the supplied equipment.

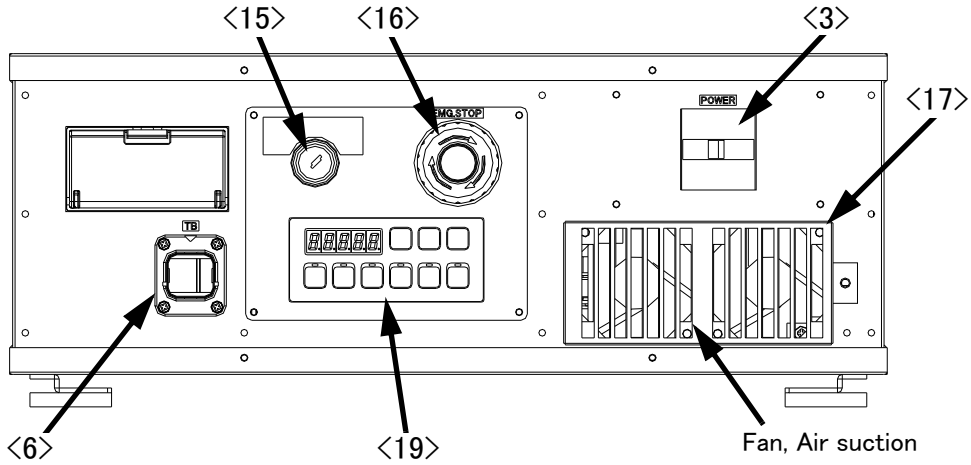
Refer to the section Page 115, "6.2 Working environment" for details on the working environment.

3.2 Names of each part

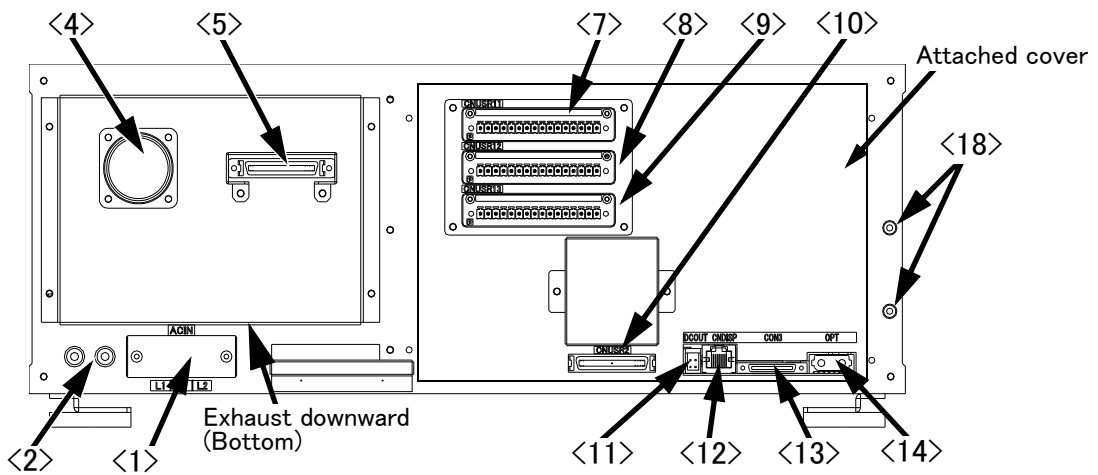
3.2.1 Drive unit

(1) CR750 drive unit

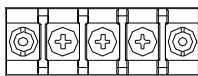
Drive unit (Front side)



Drive unit (Rear side)



<1>: ACIN terminal



There are two types (Type A and C) of terminal. Refer to next page for details.

<19>: The operation panel

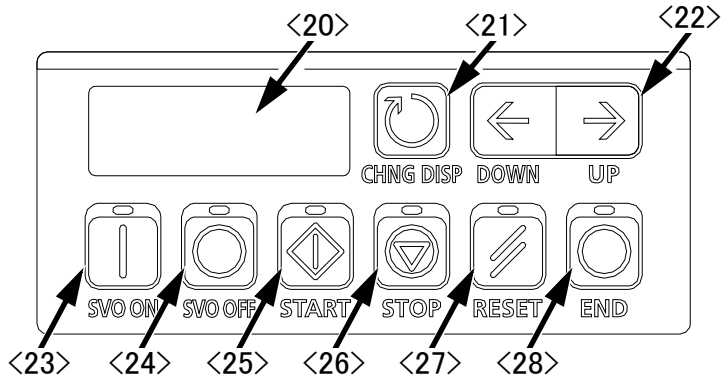
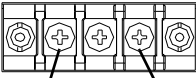
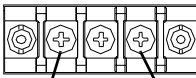


Fig.3-1 : Names of drive unit parts (CR750)

- <1> ACIN terminal The terminal box for AC power source (single phase, AC200V) input. (Inner side of a cover)
There are two types of the terminal and the terminal differs depending on the specification (CE or non-CE).

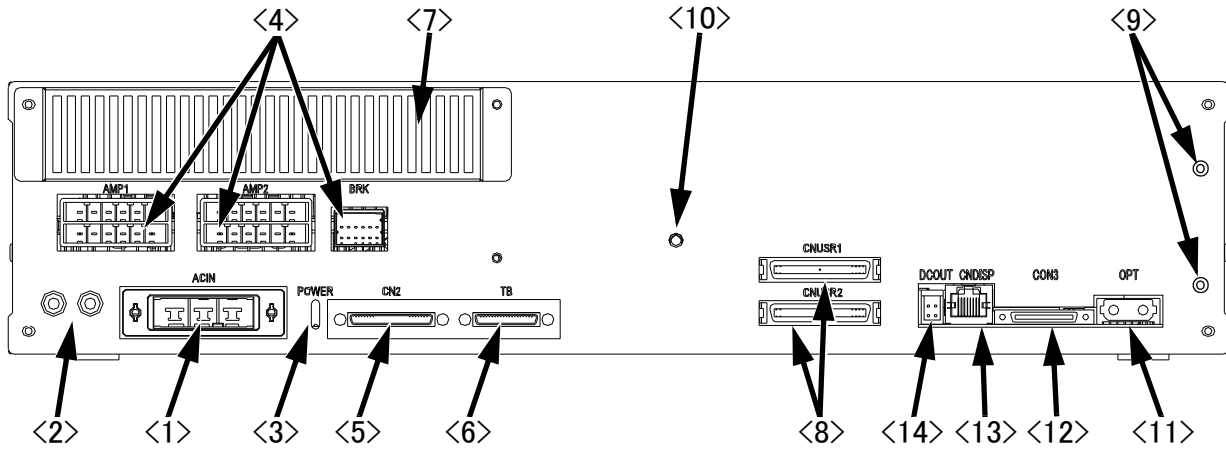
Specification	Non-CE specification	CE specification
Type of ACIN terminal	<p><u>Type A:</u> For single phase</p>  <p>L1 L2</p> <p>Connect the primary power supply to L1 and L2 terminal.</p>	<p><u>Type C:</u> For single phase</p>  <p>L1 N</p> <p>Connect the primary power supply to L1 and N terminal.</p>

Refer to a separate manual "INSTRUCTION MANUAL/Controller setup, basic operation, and maintenance" for how to connect a power cable.

- <2> PE terminal The screw for grounding of the cable. (M4 screw x 2 place)
- <3> Power switch This turns the control power ON/OFF. (With earth leakage breaker function)
- <4> Machine cable connector (motor signal) (CN1)
Connect with the CN1 connector of the robot arm.
- <5> Machine cable connector (motor power) (CN2)
Connect with the CN2 connector of the robot arm.
- <6> T/B connection connector (TB) This is a dedicated connector for connecting the T/B. When not using T/B, connect the attached dummy connector.
- <7><8><9><10> CNUSR connector The connector for input/ output connection dedicated for robot. (a plug connector attached)
<7>: CNUSR11, <8>: CNUSR12, <9>: CNUSR13, <10>: CNUSR2
Refer to a separate manual "INSTRUCTION MANUAL/Controller setup, basic operation, and maintenance" for the connection method and the further description of pin assign.
Note) <9>: CNUSR13 connector is not used in this controller.
- <11> DCOUT connector (DCOUT) For emergency stop
- <12> CNDISP connector (CNDISP) For LAN of T/B connection
- <13> CON3 connector (CON3) For RS422 of T/B connection
- <14> OPT connector (OPT) For SSCNETIII connection
- <15> Mode key switch This key switch changes the robot's operation mode.
AUTOMATIC Operations from the controller or external equipment are valid. Operations for which the operation mode must be at the external device or T/B are not possible. (Exclude the start of automatic operation.)
MANUAL When the T/B is valid, only operations from the T/B are valid. Operations for which the operation mode must be at the external device or controller are not possible.
- <16> Emergency stop switch This switch stops the robot in an emergency state. The servo turns OFF.
- <17> Filter cover There is an air filter inside the cover.
- <18> Grounding terminal The grounding terminal for connecting cables of option card. (M3 screw x 2 places)
- <19> Operation panel The operation panel for servo ON/OFF, START/STOP the program etc.
- <20> Display panel (STATUS.NUMBER) The alarm No., program No., override value (%), etc., are displayed.
- <21> CHNGDISP button This button changes the details displayed on the display panel in the order of "Override" → "Line No." → "Program No." → "User information." → "Maker information.."
- <22> UP/DOWN button This scrolls up or down the details displayed on the "STATUS. NUMBER" display panel.
- <23> SVO.ON button This turns ON the servo power. (The servo turns ON.)
- <24> SVO.OFF button This turns OFF the servo power. (The servo turns OFF.)
- <25> START button This executes the program and operates the robot. The program is run continuously.
- <26> STOP button This stops the robot immediately. The servo does not turn OFF.
- <27> RESET button This resets the error. This also resets the program's halted state and resets the program.
- <28> END button This stops the program being executed at the last line or End statement.

(2) CR751 drive unit

Drive unit (Front side)



Drive unit (Rear side)

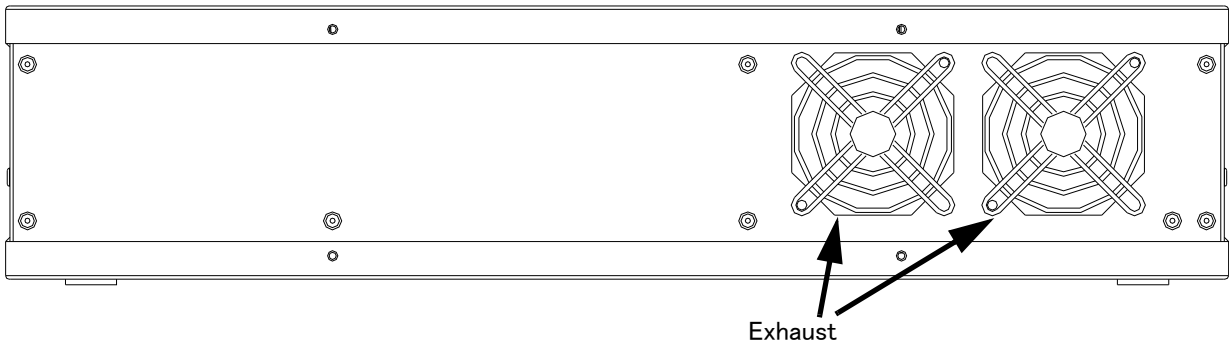


Fig.3-2 : Names of drive unit parts (CR751)

- <1> ACIN connectorThe connector for AC power source (single phase, AC200V) input (a socket housing and a terminal are attached).
Refer to a separate manual “INSTRUCTION MANUAL/Controller setup, basic operation, and maintenance” for how to connect a power cable.
- <2> PE terminalThe screw for grounding of the cable. (M4 screw x 2 place)
- <3> POWER lampLamp of control power source
- <4> Machine cable connector (motor power)
AMP1, AMP2: Motor power, BRK: Motor brake
- <5> Machine cable connector (motor signal)
CN2: Motor signal
- <6>T/B connection connector (TB)This is a dedicated connector for connecting the R33TB. When not using T/B, connect the attached dummy plug.
- <7>Filter coverThere is an air filter inside this cover.
- <8>CNUSR connectorThe connector for input/ output connection dedicated for robot.
(CNUSR1、 CNUSR2) (a plug connector attached)
Refer to a separate manual “INSTRUCTION MANUAL/Controller setup, basic operation, and maintenance” for the connection method and the further description of pin assign.
- <9>Grounding terminalThe grounding terminal for connecting cables of option card. (M3 screw x 2 places)
- <10>Power supply charge lamp (CRARGE)
The lamp is to ensure safe timing (prevent electric shocks) when removing the cover (users are not normally required to remove the cover).
This lamp is illuminated (red) when electrical energy accumulates on the controller’s power supply circuit board due to the robot’s servo being ON.

After turning the control power OFF and allowing a few minutes to pass,
the lamp will go out.

- <11>OPT connector (OPT).....For SSCNETIII connection
- <12>CON3 connector (CON3).....For RS422 of T/B connection
- <13>CNDISP connector (CNDISP).....For LAN of T/B connection
- <14>DCOUT connector (DCOUT).....For emergency stop

3.2.2 Robot CPU

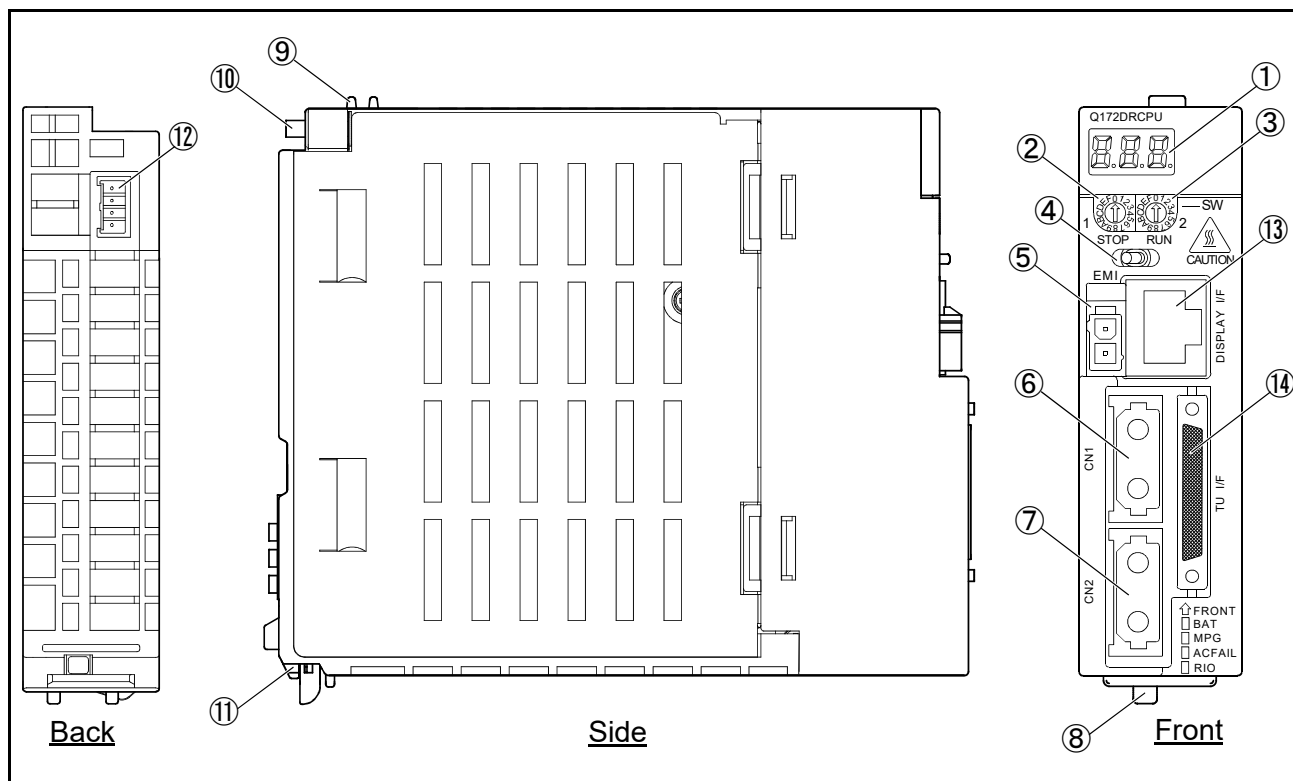


Fig.3-3 : Names of each part of the robot CPU

- ① Seven segments LEDIndicates operational status and error information
- ② Rotary switch (SW1).....Set up operation mode. Always set it as "0."
- ③ Rotary switch (SW2).....Set up operation mode. Always set it as "0."
- ④ RUN/STOP switch.....Unused
- ⑤ Emergency stop input (EMI)*1) ...Connects with the connector (DCOUT) of the controller by the EMI cable for robot. (For the emergency stops)
- ⑥ CN1 connector*2)Connects with the connector (OPT) of the controller by the SSCNET III cable for robot. (For the robot-arm servo amplifier connection)
- ⑦ CN2 connector*2)Connect to the servo amplifier of the addition axis (Eight axes)
- ⑧ Lever for unit installationUse this lever, when installing the unit in the base unit.
- ⑨ Hook for unit fixing*3)The hook which fixes the unit to the base unit (For the support at installation)
- ⑩ Unit fixing screw.....The screw for fixing to the base unit (M3 × 13)
- ⑪ The projection for unit fixingThe projection for fixing to the base unit
- ⑫ Battery connector (BAT)*4)The connector for connection with battery holder unit Q170DBATC.
- ⑬ The connector for the networks (DISPLAY I/F)
Connects with the connector (CNDISP) of the controller by the DISP cable for robot. (For the LAN of T/B)
- ⑭ RS422 connector (TU I/F).....Connects with the connector (CON3) of the controller by the TU cable for robot. (For the RS-422 of T/B)

*1) Please be sure to use the emergency stop input cable. The emergency stop cannot be canceled if it does not use. If it manufactures the emergency stop input cable in the customer, cable length should use 30m or less.

*2) Please store in the duct or fix the cable section near robot CPU with the bunch wire rod so that prudence of the cable is not applied to CN1 and CN2 connector section.

*3) It is equipment for the support when installing the unit in the basic base unit. Please be sure to fix the unit to the basic base unit with the attached fixing screw.

*4) Please be sure to use the external battery. Unless the battery cable is connected surely, the program in SRAM with a built-in robot CPU, the parameter, origin position data, etc. are not held.

3.3 Outside dimensions/Installation dimensions

3.3.1 Outside dimensions

(1) CR750 drive unit

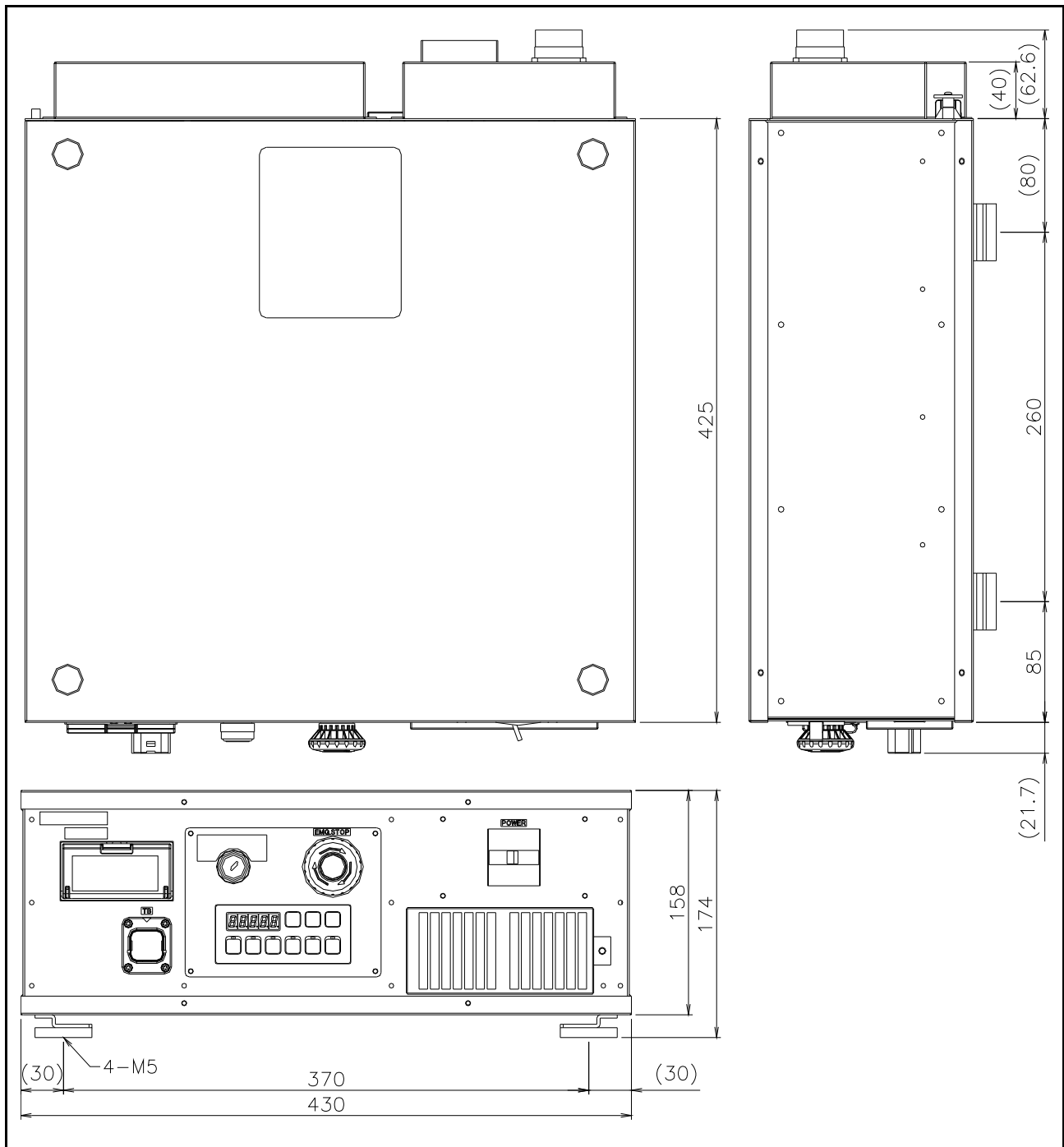


Fig.3-4 : Outside dimensions of drive unit (CR750)

(3) Outside dimensions of robot CPU unit

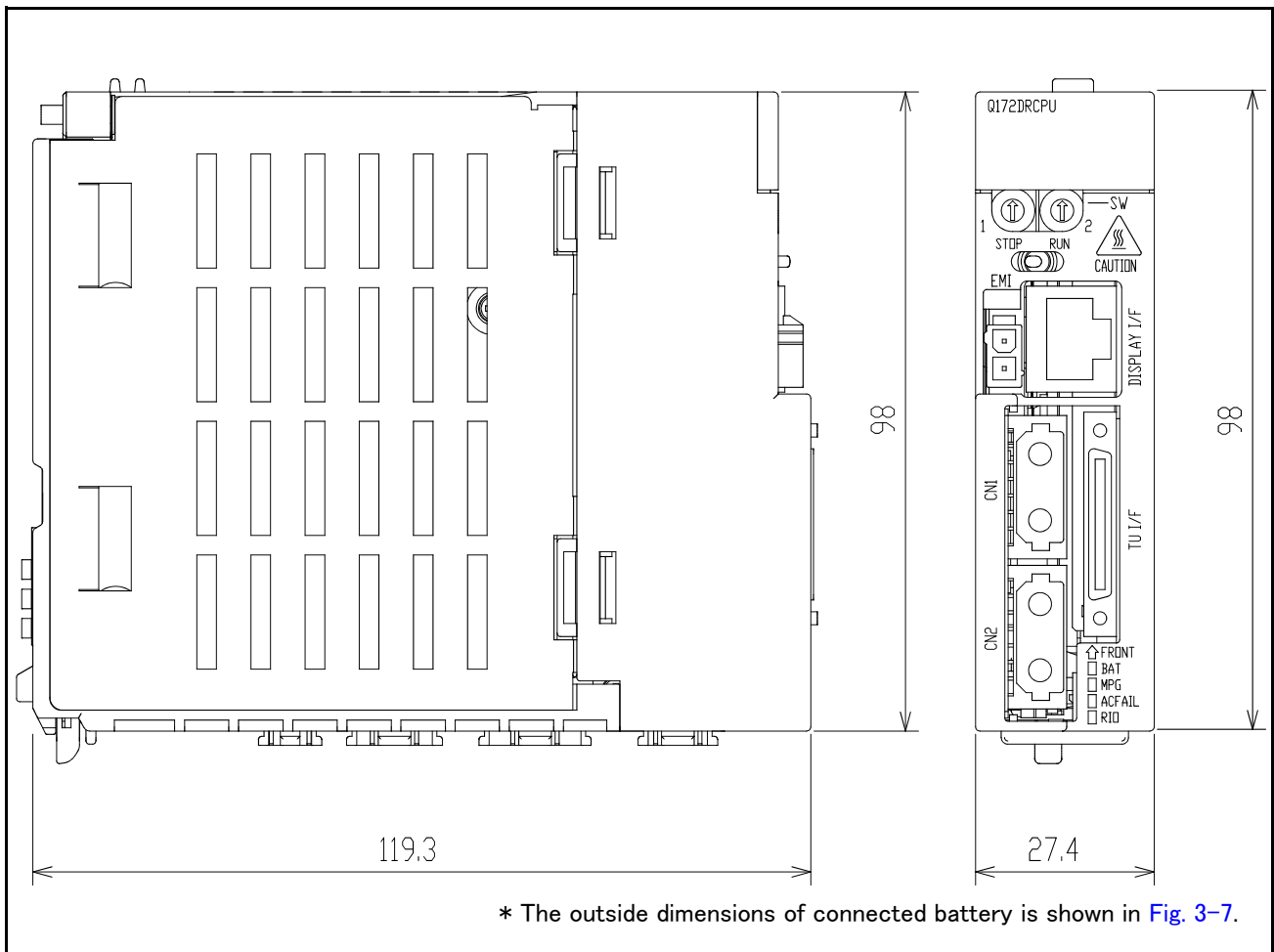


Fig.3-6 : Outside dimensions of robot CPU

(4) Battery unit outside dimension

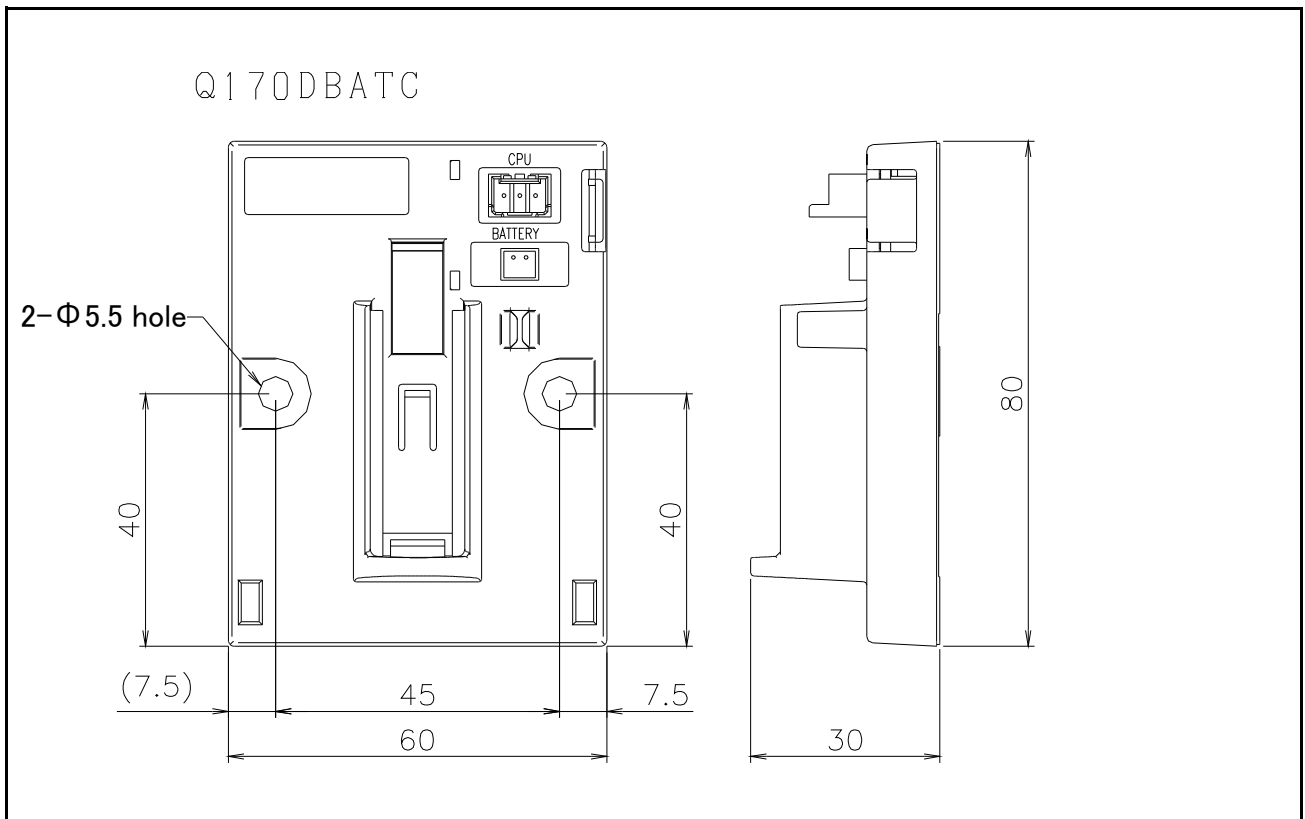
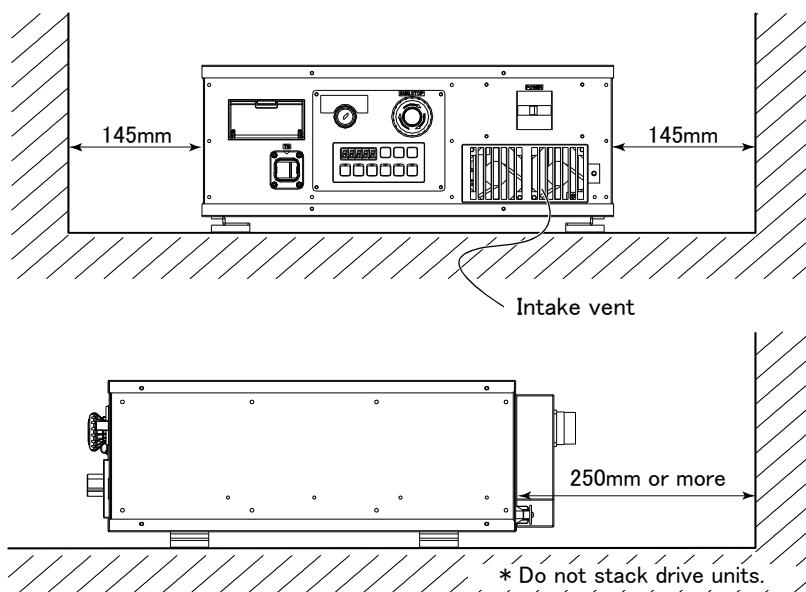


Fig.3-7 : Outside dimensions of battery unit

3.3.2 Installation dimensions

(1) CR750 drive unit

<Placed horizontally>



<Placed vertically>

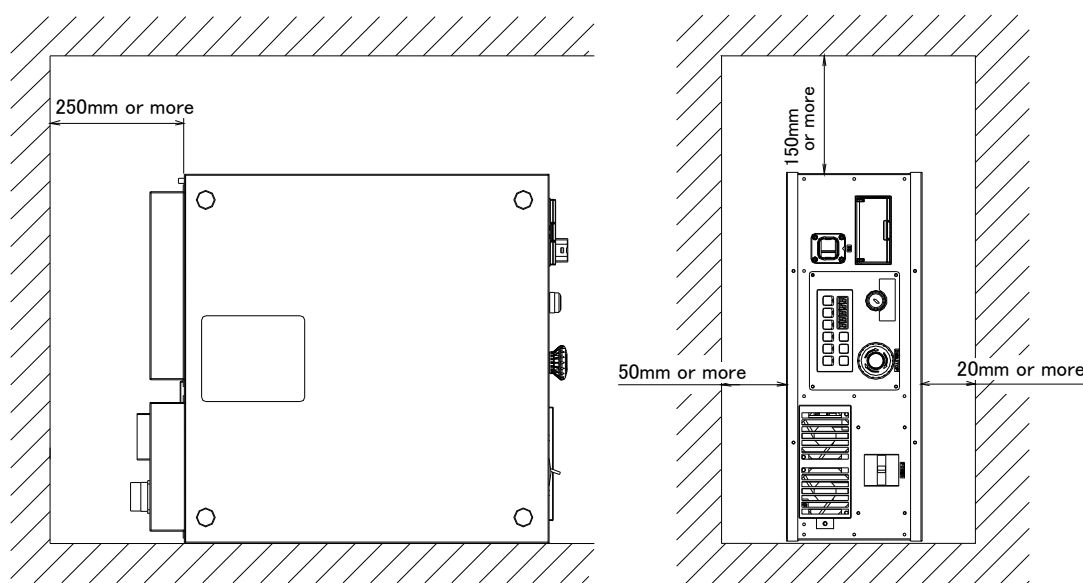


Fig.3-8 : Installation of controller (CR750)

CAUTION

Fixing installation section sure for prevention from the fall, when using the drive unit placing vertically. The reference figure of the metal plate for fixing is shown in Fig. 3-9. You should install the metal plate for fixation to the drive unit with M4 x 8 or the shorter screw. The screw projection length inside the controller (side board thickness is 1.2 mm) surely makes 6.8 mm or less.

CAUTION

When storing the drive unit in a cabinet, etc., take special care to the heat radiating properties and ventilation properties so that the ambient temperature remains within the specification values. And, don't install the drive unit in the position where direct rays or the heat of lighting hits. The skin temperature of the drive unit may rise, and the error may occur.

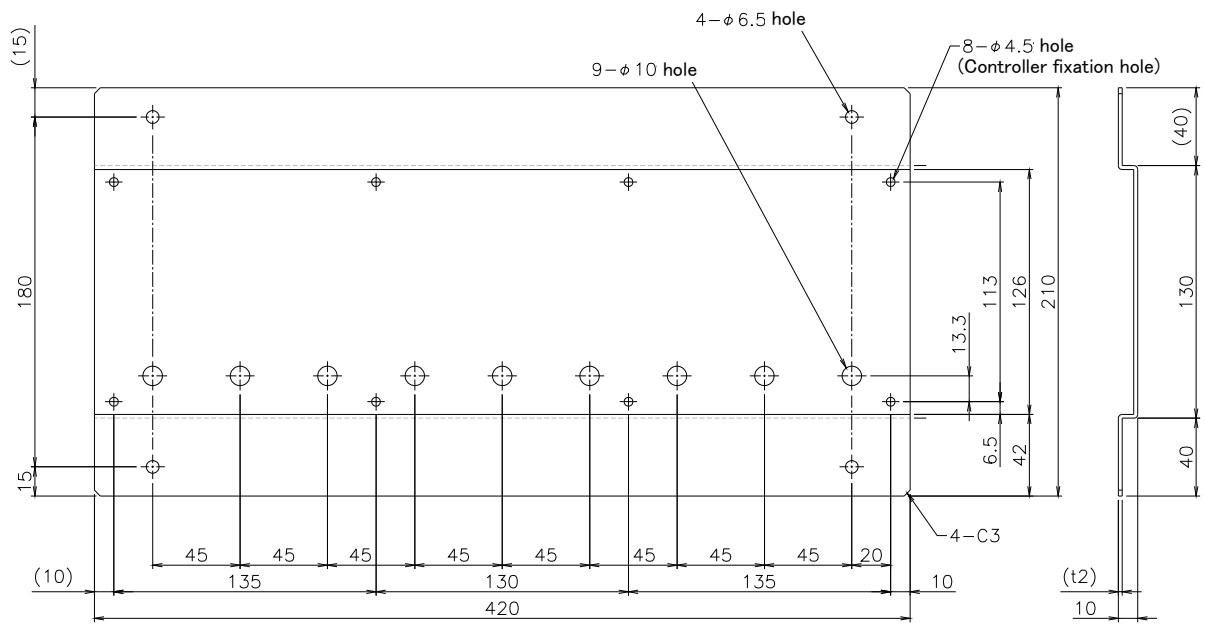
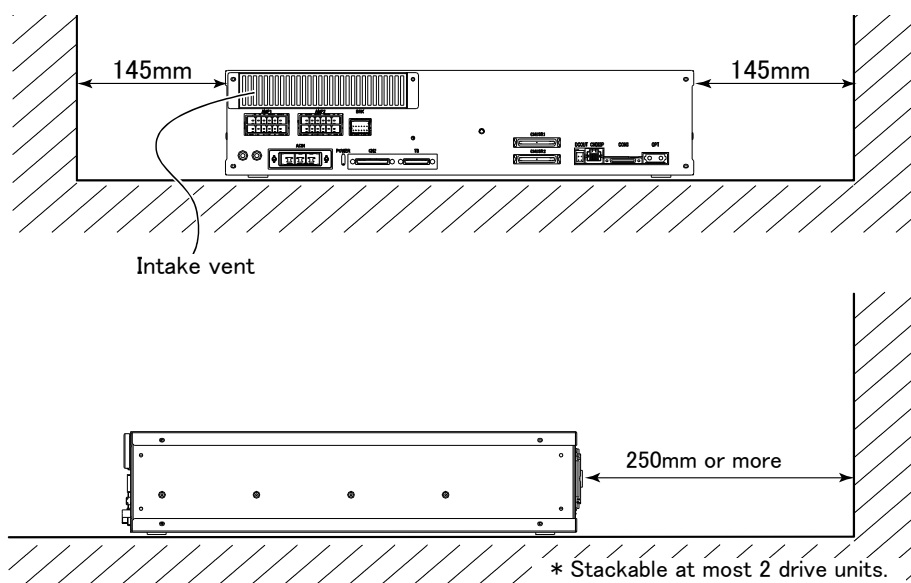


Fig.3-9 : Metal plate for fixation to placing vertically (Reference for CR750)

(2) CR751 drive unit

<Placed horizontally>



<Placed vertically>

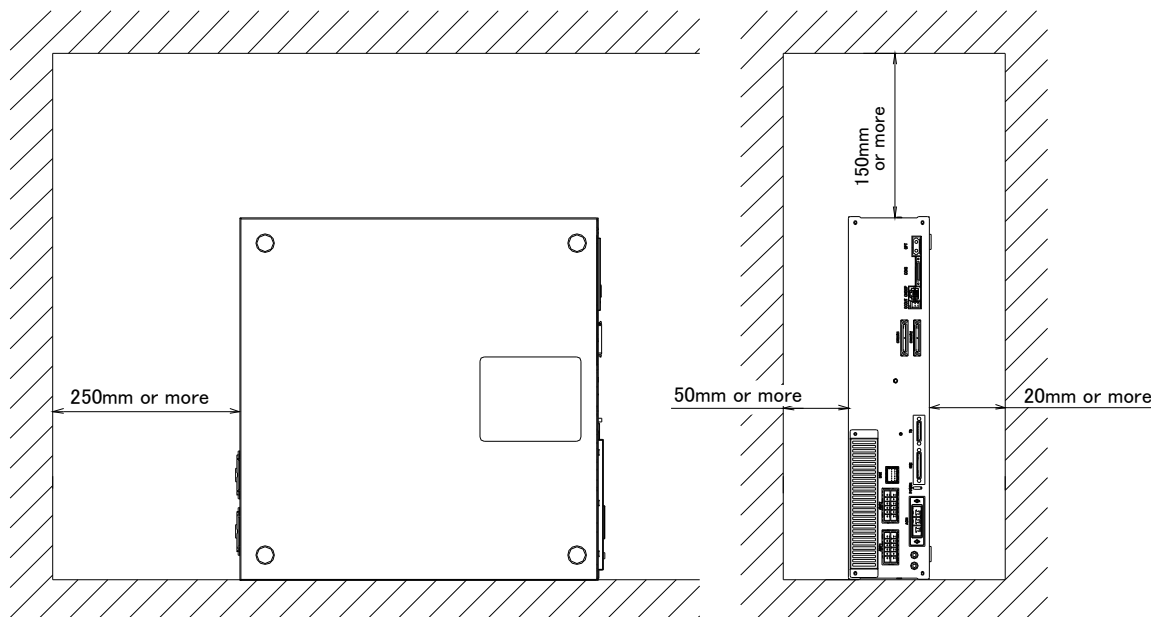


Fig.3-10 : Installation of controller (CR751)

CAUTION

Fixing installation section sure for prevention from the fall, when using the drive unit placing vertically. The reference figure of the metal plate for fixing is shown in Fig. 3-11. You should install the metal plate for fixation to the controller with M4 x 8 or the shorter screw. The screw projection length inside the drive unit (side board thickness is 1.2mm) surely makes 6.8mm or less.

CAUTION

When storing the drive unit in a cabinet, etc., take special care to the heat radiating properties and ventilation properties so that the ambient temperature remains within the specification values. And, don't install the drive unit in the position where direct rays or the heat of lighting hits. The skin temperature of the drive unit may rise, and the error may occur.

(3) Robot CPU Unit installation dimensions

Because to improve ventilation and to make unit replacement easy, please secure the following distance between the upper and lower sides of the unit and the structure, etc.

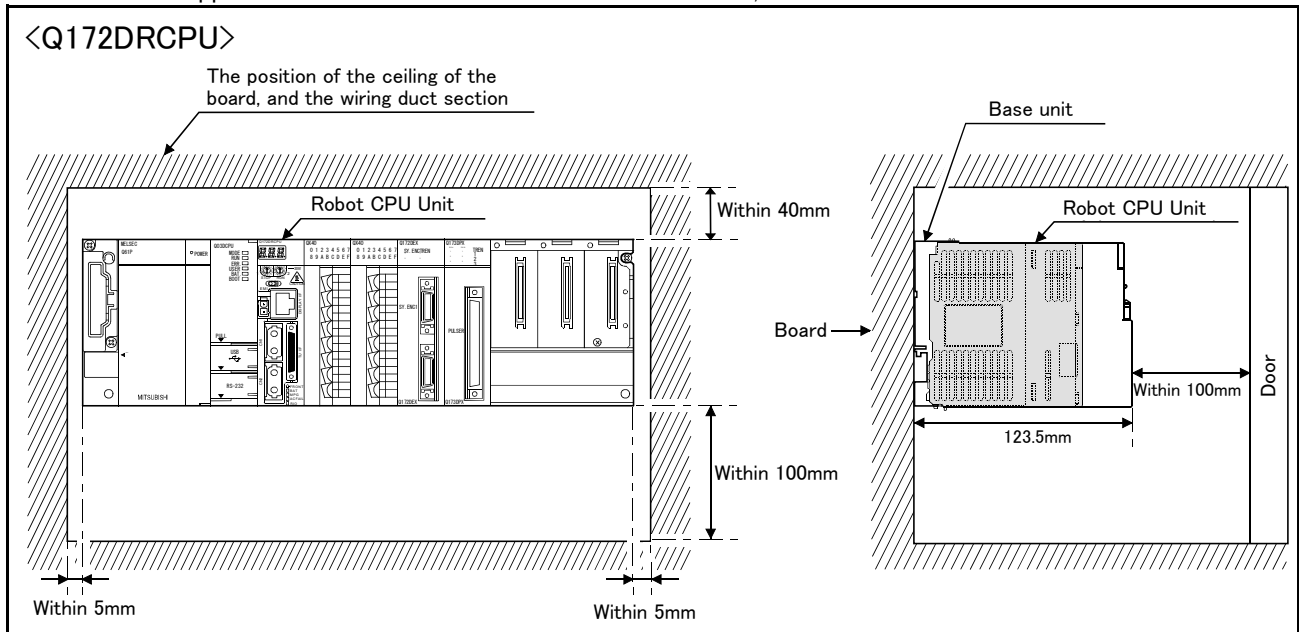


Fig.3-12 : Installation of robot CPU Unit

3.4 External input/output

3.4.1 Types

- (1) Dedicated input/output..... These inputs and outputs carry out the robot remote operation and status display.
- (2) General-purpose input/output..... These are inputs and outputs that the customer can program for peripheral device control.
- (3) Hand input/output..... These are inputs and outputs related to the hand that the customer can program.
- (4)Emergency stop/Door switch input..... Information on wiring the emergency stop and wiring used to ensure safety can be found on [Page 63, "3.6 Emergency stop input and output etc."](#) and on [Page 102, "6.1.7 Examples of safety measures"](#).

<For Reference>

Linking our GOT1000 Series (GT15) display equipment to the robot controller over the Ethernet permits you to control robot controller's input/output from a GOT (graphic operation terminal).

3.5 Dedicated input/output

Show the main function of dedicated input/output in the [Table 3-3](#). Refer to attached instruction manual “Detailed explanations of functions and operations” in the product for the other functions. Each parameter indicated with the parameter name is used by designated the signal No., assigned in the order of input signal No. and output signal No.

Table 3-3 : Dedicated input/output list

Parameter name	Input			Output	
	Name	Function	Note1) Level	Name	Function
TEACHMD	None			Teaching mode output signal	Outputs that the teaching mode is entered.
ATTOPMD	None			Automatic mode output signal	Outputs that the automatic mode is entered.
ATEXTMD	None			Remote mode output signal	Outputs that the remote mode is entered.
RCREADY	None			Controller power ON complete signal	Outputs that external input signals can be received.
AUTOENA	Automatic operation enabled input signal	Allows automatic operation.	L	Automatic operation enabled output signal	Outputs the automatic operation enabled state.
START	Start input signal	Starts all slots.	E	Operating output signal	Outputs that the slot is operating.
STOP	Stop input signal	Stops all slots. The input signal No. is fixed to 0. Note) Use the emergency stop input for stop inputs related to safety.	L	Wait output signal	Outputs that the slot is temporarily stopped.
STOP2	Stop input signal	The program during operation is stopped. Unlike the STOP parameter, change of the signal number is possible. Notes) Specification is the same as the STOP parameter.	L	Wait output signal	Outputs that the slot is temporarily stopped. Notes) Specification is the same as the STOP parameter.
SLOTINIT	Program reset input signal	Resets the wait state.	E	Program selection enabled output signal	Outputs that the slot is in the program selection enabled state.
ERRRESET	Error reset input signal	Resets the error state.	E	Error occurring output signal	Outputs that an error has occurred.
CYCLE	Cycle stop input signal	Carries out cycle stop.	E	In cycle stop operation output signal	Outputs that the cycle stop is operating.
SRVOFF	Servo ON enabled input signal	Turns the servo OFF for all mechanisms.	L	Servo ON enabled output signal	Outputs servo-on disable status. (Echo back)
SRVON	Servo ON input signal	Powers on the robot servos. For multiple mechanisms, it powers on the servos of all the mechanisms.	E	In servo ON output signal	Outputs the servo ON state. For multiple mechanisms, the output is performed when at least one of the mechanisms is in the servo ON state.
IOENA	Operation rights input signal	Requests the operation rights for the external signal control.	L	Operation rights output signal	Outputs the operation rights valid state for the external signal control.
MELOCK	Machine lock input signal	Sets/resets the machine lock state for all mechanisms.	E	In machine lock output signal	Outputs the machine lock state.
SAFEPOS	Evasion point return input signal	Requests the evasion point return operation.	E	In evasion point return output signal	Outputs that the evasion point return is taking place.
OUTRESET	General-purpose output signal reset	Resets the general-purpose output signal.	E	None	
EMGERR	None			Emergency stop output signal	Outputs that an emergency stop has occurred.
S1START : S32START	Start input	Starts each slot.	E	In operation output	Outputs the operating state for each slot.

Parameter name	Input			Output	
	Name	Function	Level	Name	Function
S1STOP : S32STOP	Stop input	Stops each slot.	L	In wait output	Outputs that each slot is temporarily stopped.
PRGSEL	Program selection input signal	Designates the setting value for the program No. with numeric value input signals.	E	None	
OVRDSEL	Override selection input signal	Designates the setting value for the override with the numeric value input signals.	E	None	
IODATA Note2)	Numeric value input (start No., end No.)	Used to designate the program name, override value., mechanism value.	L	Numeric value output (start No., end No.)	Used to output the program name, override value., mechanism No.
PRGOUT	Program No. output request	Requests output of the program name.	E	Program No. output signal	Outputs that the program name is being output to the numeric value output signal.
LINEOUT	Line No. output request	Requests output of the line No.	E	Line No. output signal	Outputs that the line No. is being output to the numeric value output signal.
OVRDOUT	Override value output request	Requests the override output.	E	Override value output signal	Outputs that the override value is being output to the numeric value output signal.
ERROUT	Error No. output request	Requests the error No. output.	E	Error No. output signal	Outputs that the error No. is being output to the numeric value output signal.
JOGENA	Jog valid input signal	Validates jog operation with the external signals	E	Jog valid output signal	Outputs that the jog operation with external signals is valid.
JOGM	Jog mode input 2-bit	Designates the jog mode.	L	Jog mode output 2-bit	Outputs the current jog mode.
JOG+	Jog feed + side for 8-axes	Requests the + side jog operation.	L	None	
JOG-	Jog feed - side for 8-axes	Requests the - side jog operation.	L	None	
HNDCTRL1 : HNDCTRL3	None			Mechanism 1 hand output signal status : Mechanism 3 hand output signal status	Mechanism 1: Outputs the status of general-purpose outputs 900 to 907. Mechanism 2: Outputs the status of general-purpose outputs 910 to 917. Mechanism 3: Outputs the status of general-purpose outputs 920 to 927.
HNDSTS1 : HNDSTS3	None			Mechanism 1 hand input signal status : Mechanism 3 hand input signal status	Mechanism 1: Outputs the status of hand inputs 900 to 907. Mechanism 2: Outputs the status of hand inputs 910 to 917. Mechanism 3: Outputs the status of hand inputs 920 to 927.
HNDERR1 : HNDERR3	Mechanism 1 hand error input signal : Mechanism 3 hand error input signal	Requests the hand error occurrence.	L	Mechanism 1 hand error output signal : Mechanism 3 hand error output signal	Outputs that a hand error is occurring.

Parameter name	Input Note1)			Output	
	Name	Function	Level	Name	Function
AIRERR1 : AIRERR3	Pneumatic pressure error 1 input signal : Pneumatic pressure error 3 input signal	Request the pneumatic pressure error occurrence.	L	Pneumatic pressure error 1 output signal. : Pneumatic pressure error 3 output signal.	Outputs that a pneumatic pressure error is occurring.
M1PTEXC : M3PTEXC	None		L	Maintenance parts replacement time warning signal	Outputs that the maintenance parts have reached the replacement time.
USER-AREA ^{Note3)}	None			User-designated area 8-points	Outputs that the robot is in the user-designated area.

Note1) The level indicates the signal level.

L: Level signal → The designated function is validated when the signal is ON, and is invalidated when the signal is OFF.

E: Edge signal → The designated function is validated when the signal changes from the OFF to ON state, and the function maintains the original state even when the signal then turns OFF.

Note2) Four elements are set in the order of input signal start No., end No., output signal start No. and end No.

Note3) Up to eight points can be set successively in order of start output signal No. and end output signal No.

3.6 Emergency stop input and output etc.

Do wiring of the external emergency stop, the special stop input, the door switch, and the enabling device from the "special input/output" terminal connector.

Table 3-4 : Special input/output terminal

Item	Name	Function
Input	Emergency stop	Applies the emergency stop. Dual emergency line
Input	Special stop input	Applies the stop. (Refer to Page 71, "3.6.2 Special stop input (SKIP)")
Input	Door switch	Servo-off. Dual line, normal close (Page 73, "3.6.3 Door switch function")
Input	Enabling device	Servo-off. Dual line, normal close (Page 73, "3.6.4 Enabling device function")
Output	Robot error output	Contact is opening during error occurrence.
Output	Emergency stop output	The point of contact opens under occurrence of emergency stop of external input signal, emergency stop of OP, emergency stop of T/B.
Output	Mode output	MANUAL mode: contactor is opening, AUTOMATIC mode: contactor is closing.
Output	Magnet contactor control connector output for addition axes	When an additional axis is used, the servo ON/OFF status of the additional axis can be synchronized with the robot arm. (Page 82, "3.9 Magnet contactor control connector output (AXMC) for addition axes")

*At the time of the power supply OFF, the output point of contact is always open.

[Note] The contact capacity of each input/output terminal is DC24V/10mA – 100mA. Don't connect the equipment except for this range. The use exceeding contact capacity causes failure. In the customer's system, do not ground the + side of 24V power supply prepared by customer for connect to the controller. (related with emergency stop and parallel input/output) If it connects with the controller under the condition that the + side is grounded, it will lead to failure of controller.

[Note] If a stop signal or servo OFF signal is input simultaneously with a door switch open/emergency stop input, the error, H056n "Servo sys. error (A/D)" may occur. When a door switch open/emergency stop is input, the robot turns off the servo after it stops. It is unnecessary to input a stop signal or servo OFF signal. To input a stop signal or servo OFF signal with a door switch open/emergency stop input, wait for 100ms or more after a door switch open/emergency stop input.

Pin number assignment of each terminal and the circuit diagram are shown in Fig. 3-14 (CR750) or Fig. 3-18 (CR751).

3.6.1 Connection of the external emergency stop

The external emergency stop input and door switch input and enabling device input are opened at shipment as shown in Fig. 3-14 (CR750) or Fig. 3-18 (CR751).

Connect the external emergency stop switch and door switch with the following procedure.

And, the example of the connection and notes of the emergency stop are described in Page 102, "6.1.7 Examples of safety measures" Refer to it together

[Caution] The emergency stop circuit is duplicated inside the drive unit. The emergency stop switch uses a double contact-type switch, so please be sure to fix both of the contacts to the connector pins as shown below in order to ensure the wiring is duplicated. An error will continue to occur in the event that only one of the pins is connected.

- 1) Please prepare the emergency stop switch, door switch and enabling device.
 - a) External emergency stop switch
 - CR750 drive unit.....CNUSR11 connector "between 3 and 4" and CNUSR12 Connector "between 3 and 4".
 - CR751 drive unit.....CNUSR1 connector "between 2 and 27" and "between 7 and 32".
 - b) Door switch
 - CR750 drive unit.....CNUSR11 connector "between 7 and 8" and CNUSR12 connector "between 7 and 8".
 - CR751 drive unit.....CNUSR1 connector "between 4 and 29" and "between 9 and 34".
 - c) Enabling device
 - CR750 drive unit.....CNUSR11 connector "between 9 and 10" and CNUSR12 connector "between 9 and 10".
 - CR751 drive unit.....CNUSR1 connector "between 5 and 30" and "between 10 and 35".

[Caution] Be sure to use a shield cable for the emergency stop wiring cable. And when operating in an environment that is easily affected by noise, be sure to fix the attached ferrite core (model number:

E04SR301334, manufacturer: Seiwa Electric Mfg. Co., Ltd.). Be sure to place the ferrite core more than 30 cm from the connecting terminal section.

CAUTION Make sure there are no mistakes in the wiring. Connecting differently to the way specified in the manual can result in errors, such as the emergency stop not being released. In order to prevent errors occurring, please be sure to check that all functions (such as the teaching box emergency stop, customer emergency stop, and door switch) are working properly after the wiring setup is completed.

CAUTION You should always connect doubly connection of the emergency stop, the door switch, and the enabling switch. In connection of only one side, if the relay of customer use should break down, it may not function correctly. The robot output contacts (error output, emergency stop output, mode output, addition axis contactor control output) are duplicated output contacts that are wired in series. As with emergency stop switches and door switches, ensure that all connections to customer devices are duplicated to achieve redundancy.

CAUTION Please make sure to wire the multiple emergency stop switches so that they each function independently. Check and make sure that the emergency stop doesn't only function under an AND condition (when multiple emergency stop switches are ON at the same time).

(1) CR750 drive unit

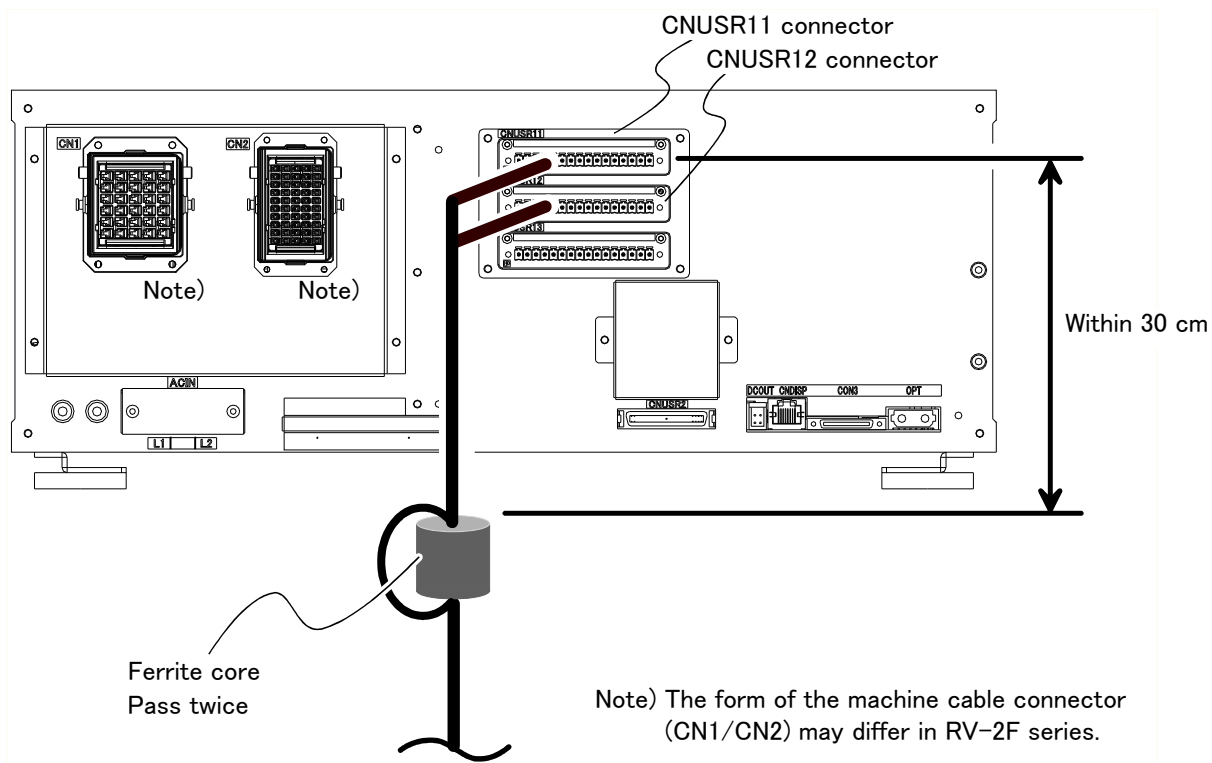


Fig.3-13 : Emergency stop cable connection (CR750)

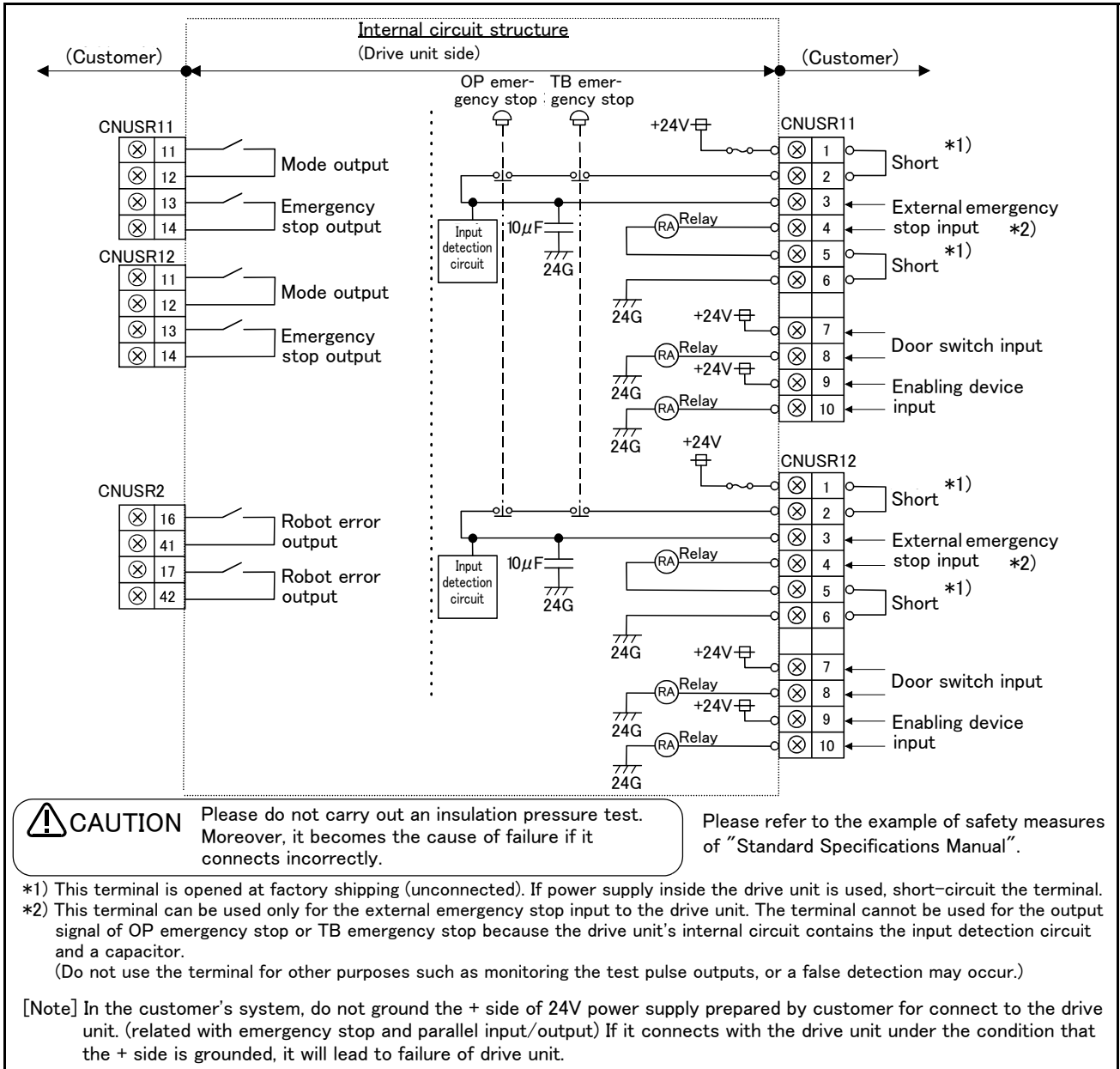


Fig.3-14 : External emergency stop connection (CR750)

CAUTION

Place the emergency stop switch in an easily operable position, and be sure to wire it to the emergency stop correctly by referencing [Page 102, "6.1.7 Examples of safety measures"](#).

This is a necessary measure in order to ensure safe operation so that the robot can be stopped immediately by pressing the emergency stop switch in the event that the robot malfunctions.

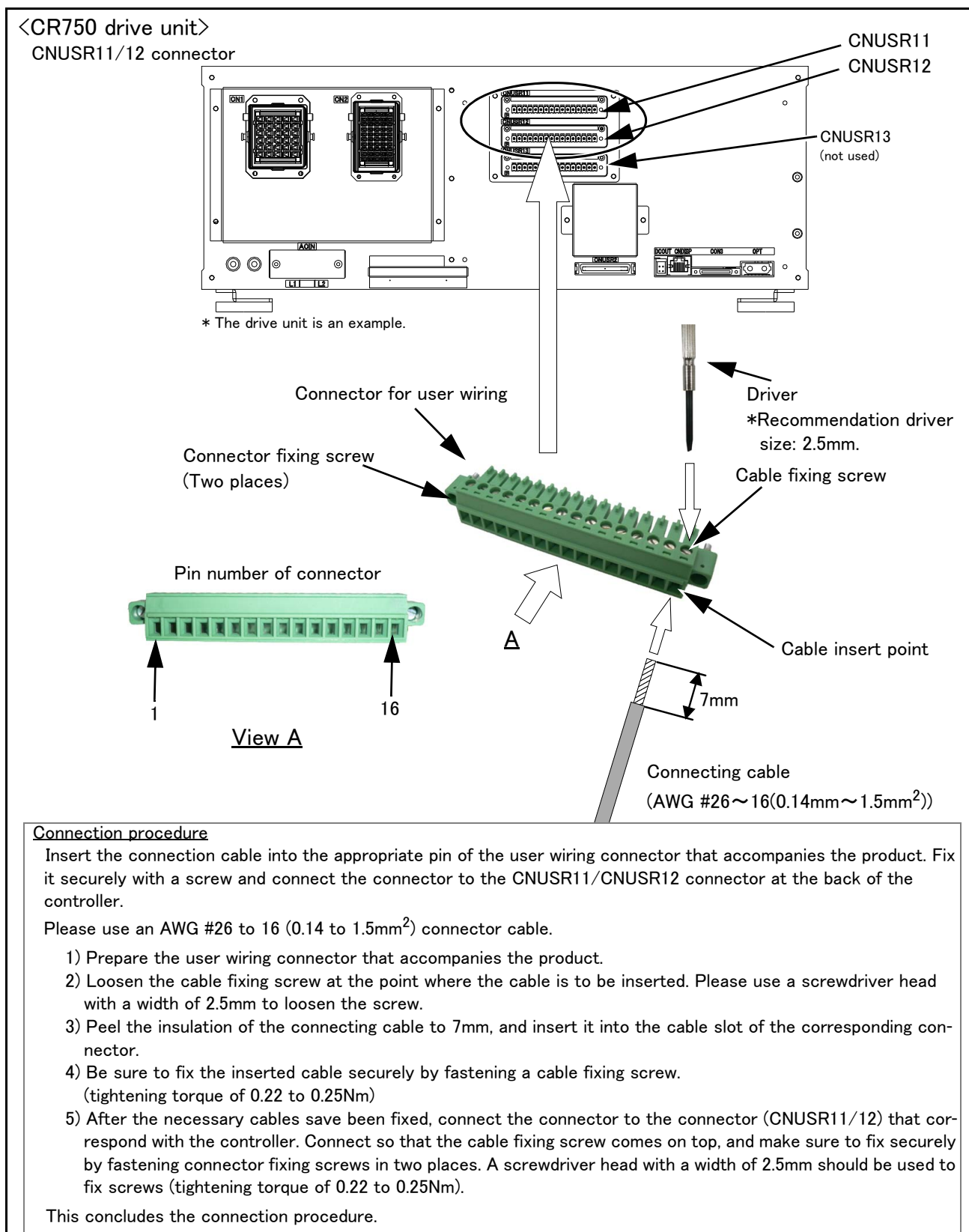


Fig.3-15 : Method of wiring for external emergency stop connection (CR750 (CNUSR11/12))

⚠ CAUTION

Makes sure that there is no mistake when connecting to the target connectors. Connecting incorrectly will result in the robot breaking down or malfunctioning. The connector on the controller side that connects to the user wiring connector is CNUSR11 or CNUSR12. Be careful not to connect to CNUSR13 as the robot will not operate properly.

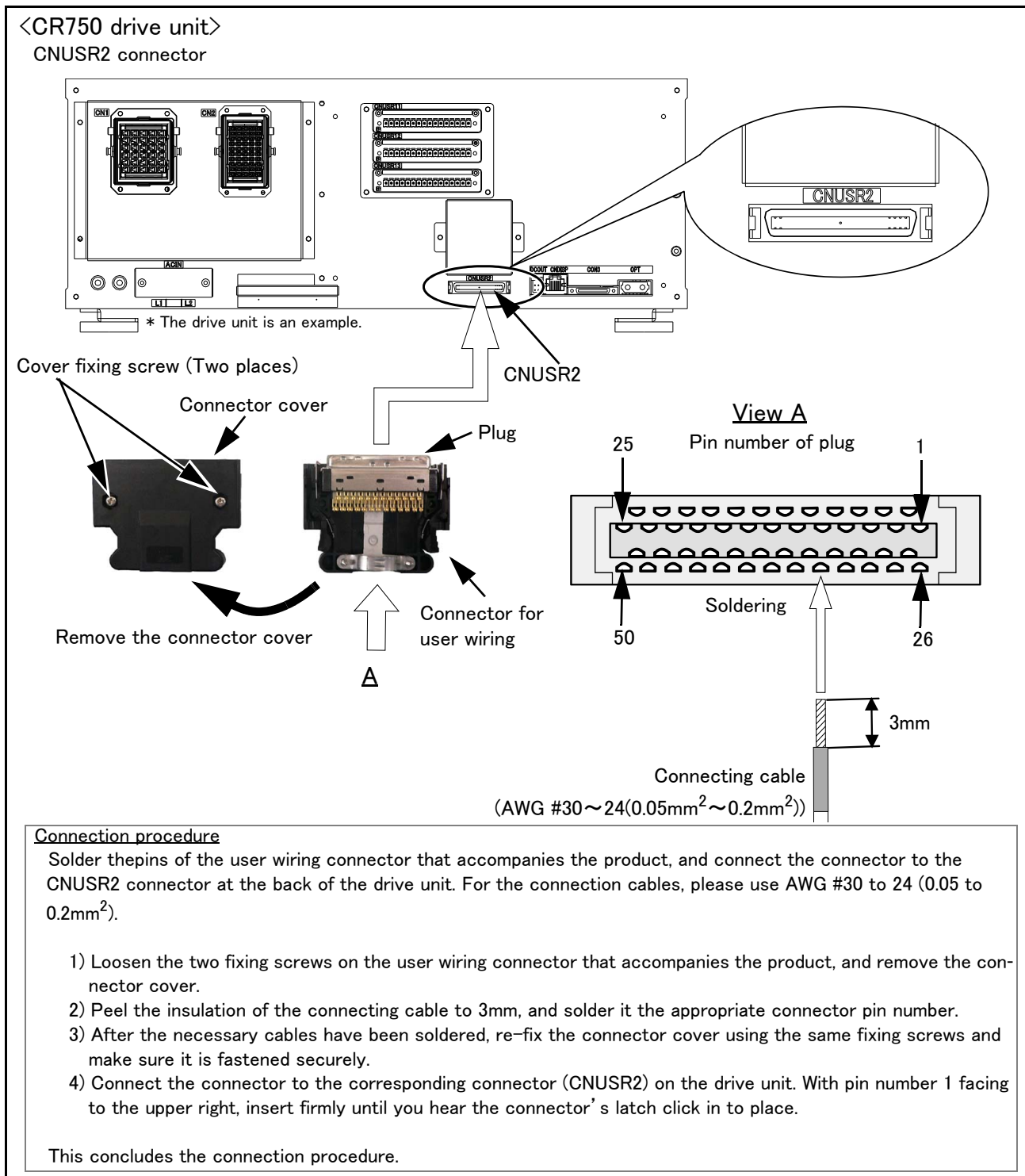


Fig.3-16 : Method of wiring for external emergency stop connection (CR750 (CNUSR2))

CAUTION

When soldering please take care to only connect to the specified pin number. Connecting to a different pin number or short-circuiting with another pin will result in the robot breaking down or malfunctioning.

(2) CR751 drive unit

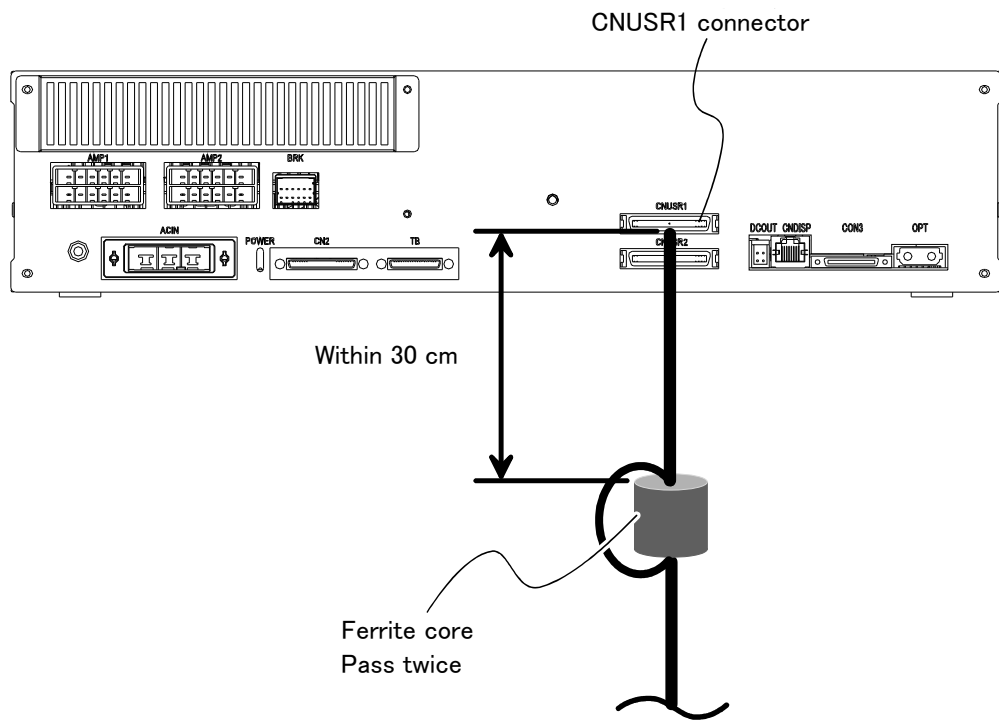


Fig.3-17 : Emergency stop cable connection (CR751)

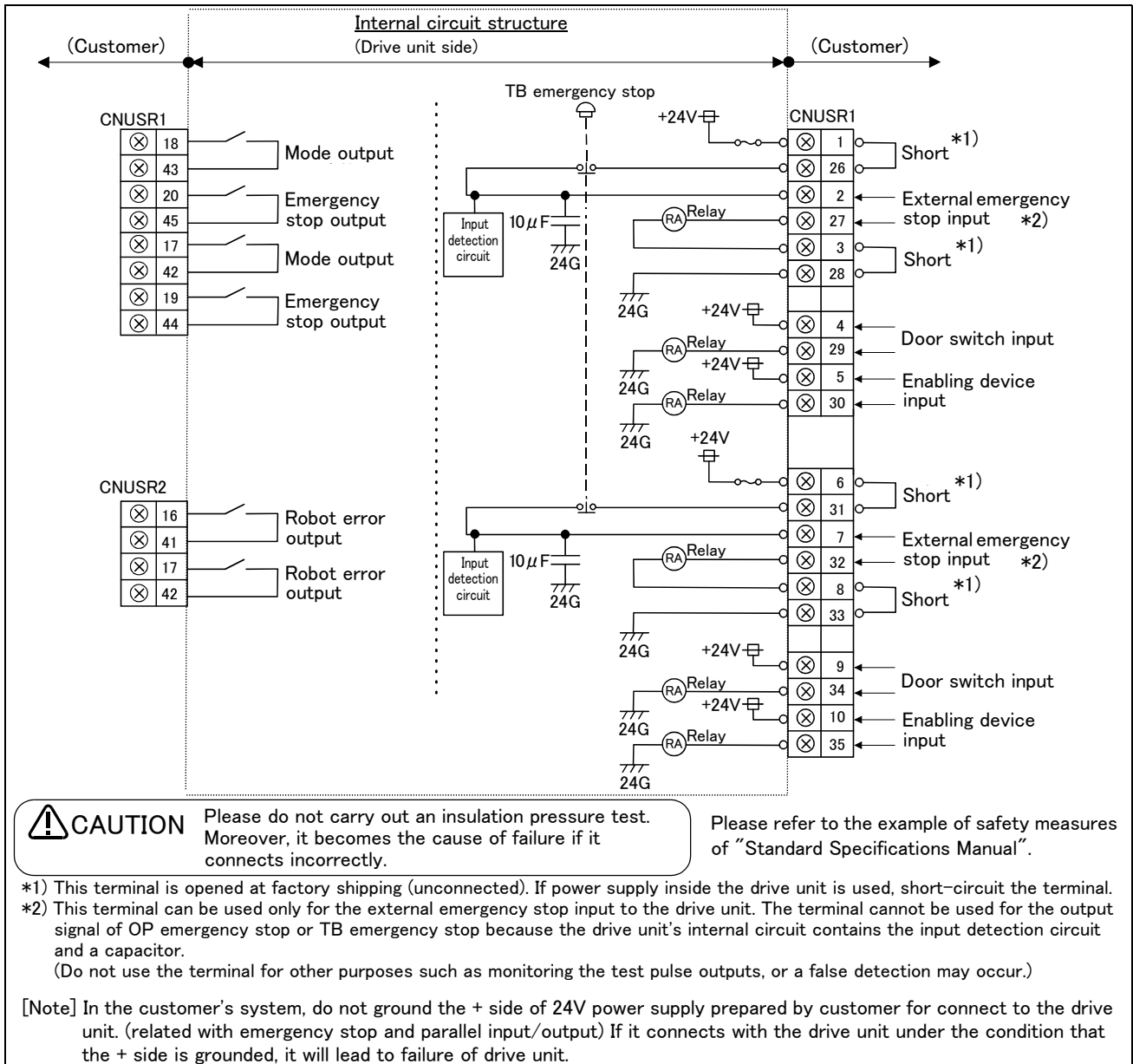


Fig.3-18 : External emergency stop connection (CR751)

CAUTION

Place the emergency stop switch in an easily operable position, and be sure to wire it to the emergency stop correctly by referencing [Page 102, "6.1.7 Examples of safety measures"](#).

This is a necessary measure in order to ensure safe operation so that the robot can be stopped immediately by pressing the emergency stop switch in the event that the robot malfunctions.

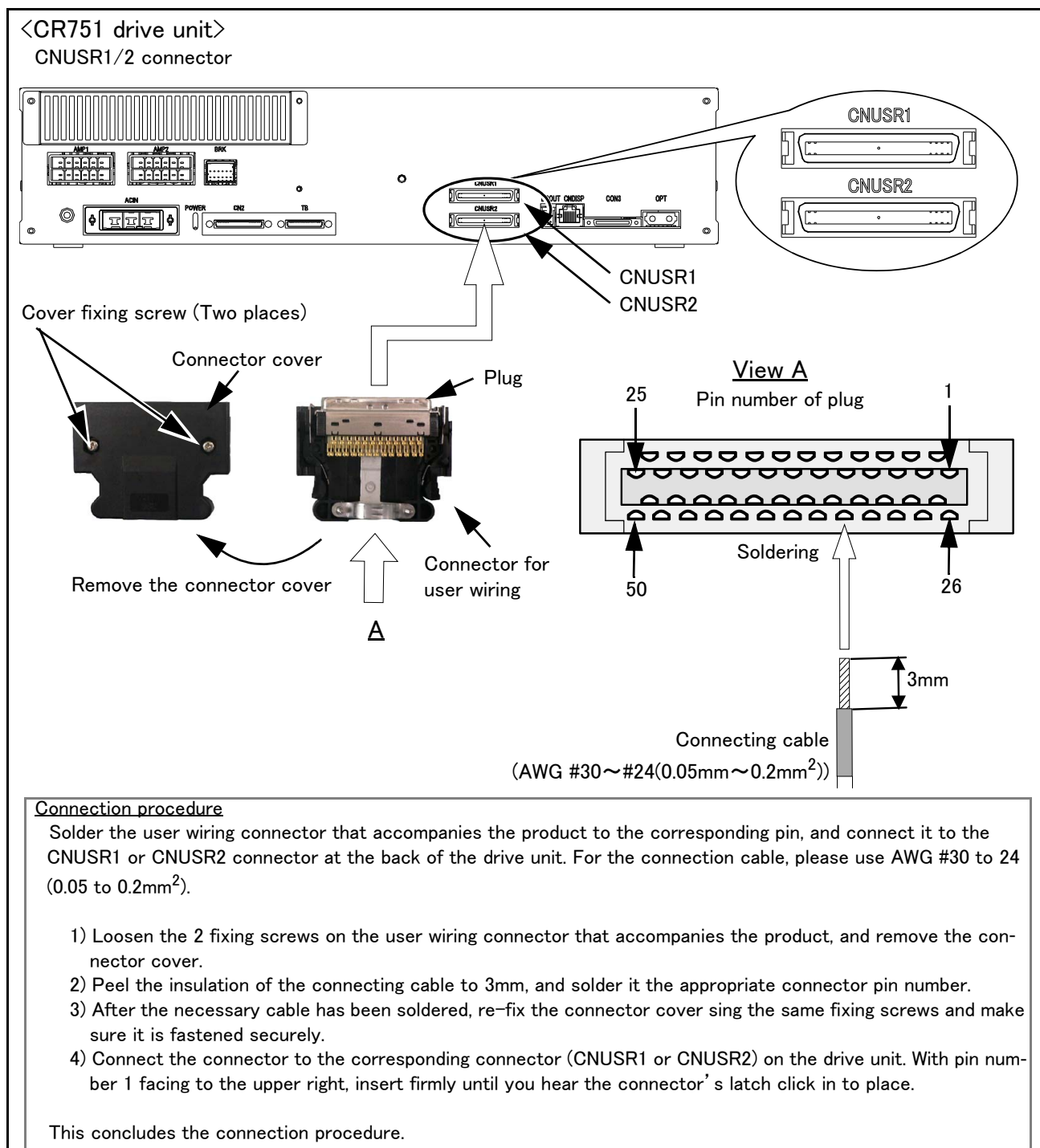


Fig.3-19 : Method of wiring for external emergency stop connection (CR751 (CNUSR1/2))

⚠ CAUTION

When soldering please take care to only connect to the specified pin number. Connecting to a different pin number or short-circuiting with another pin will result in the robot breaking down or malfunctioning.

The connectors on the drive unit side are CNUSR1 (upper side) and CNUSR2 (lower side). Make sure that there is no mistake when connecting to the target connectors. Connecting incorrectly will result in the robot breaking down or malfunctioning.

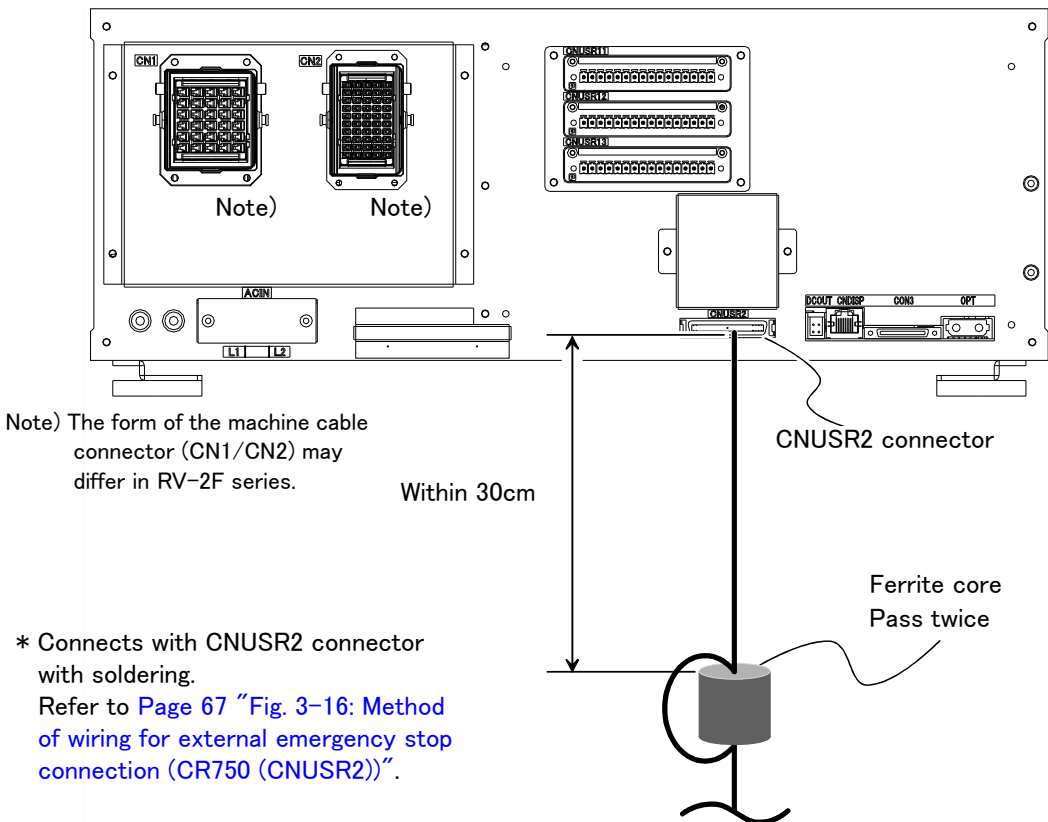
3.6.2 Special stop input (SKIP)

The skip is the input signal to stop the robot. The pin 9, 34 of the CNUSR2 connector shown in Fig. 3-20 (CR750) or Fig. 3-21 (CR751).

Table 3-5 : Special stop input electric specification

Item		Specifications	Internal circuit
Type		DC input	
No. of input point		1	
Insulation method		Photo-coupler insulation	
Rated input voltage		DC24V	
Rated input current		Approx. 11mA	
Working voltage range		DC 21.6 ~ 26.4V (Ripple rate within 5%)	
ON voltage/ON current		DC 8V or more / 2mA or more	
OFF voltage/OFF current		DC 4V or less / 1mA or less	
Input resistance		Approx. 2.2 k Ω	
Response time	OFF → ON	1ms or less	
	ON → OFF	1ms or less	
Common method		1 point per common	
External wire connection method		Connector	

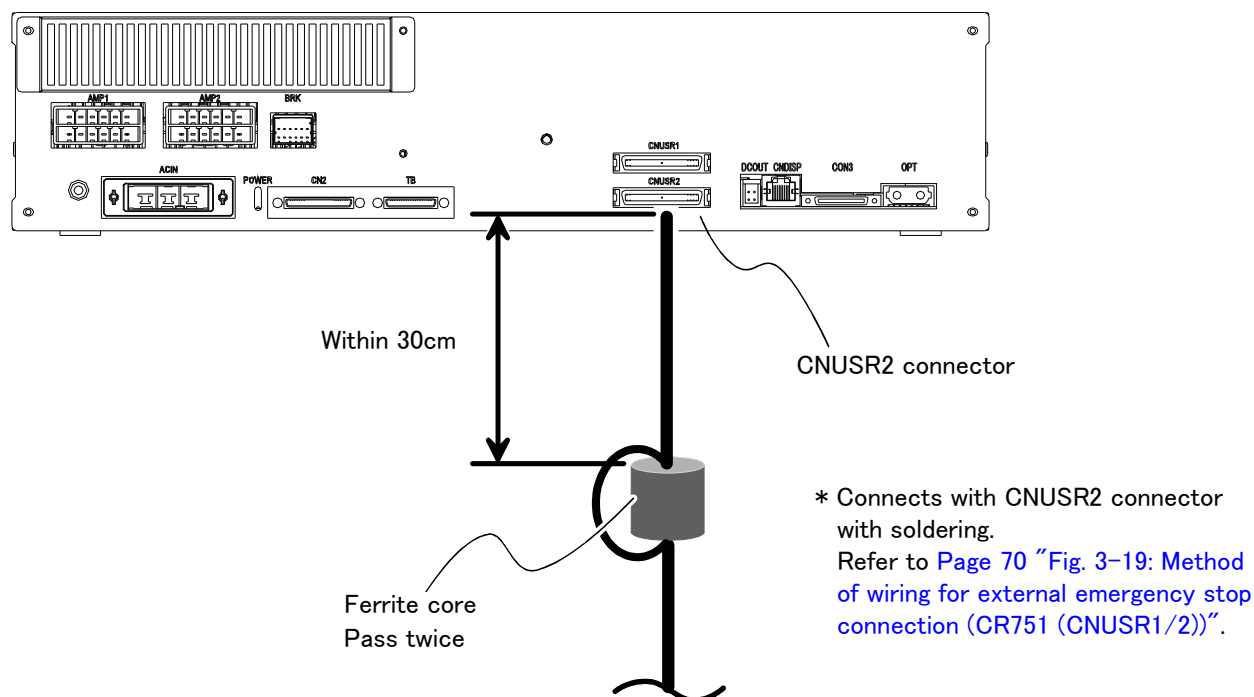
(1) CR750 drive unit



Note) In the customer's system, do not ground the + side of 24V power supply prepared by customer for connect to the controller. (related with emergency stop and parallel input/output) If it connects with the controller under the condition that the + side is grounded, it will lead to failure of controller.

Fig.3-20 : Connection of the special-stop-input (CR750)

(2) CR751 drive unit



Note) In the customer's system, do not ground the + side of 24V power supply prepared by customer for connect to the controller. (related with emergency stop and parallel input/output) If it connects with the controller under the condition that the + side is grounded, it will lead to failure of controller.

Fig.3-21 : Connection of the special-stop-input (CR751)

3.6.3 Door switch function

This function retrieves the status of the switch installed on the door of the safety fence, etc., and stops the robot when the door is opened. This differs from an emergency stop in that the servo turns OFF when the door is opened and an error does not occur. Follow the wiring example shown in Page 65 "Fig. 3-14: External emergency stop connection (CR750)" or Page 69 "Fig. 3-18: External emergency stop connection (CR751)", and Page 102, "6.1.7 Examples of safety measures". Those figure explains the wire is contact closes when the door is closed. Details of this function according to the robot status are shown below.

- *During automatic operationWhen the door is opened, the servo turns OFF and the robot stops. An error occurs. The process of the restoration: Close the door, reset the alarm, turn on the servo, and restart
- *During teaching.....Even when the door is opened, the servo can be turned ON and the robot moved using the teaching pendant.

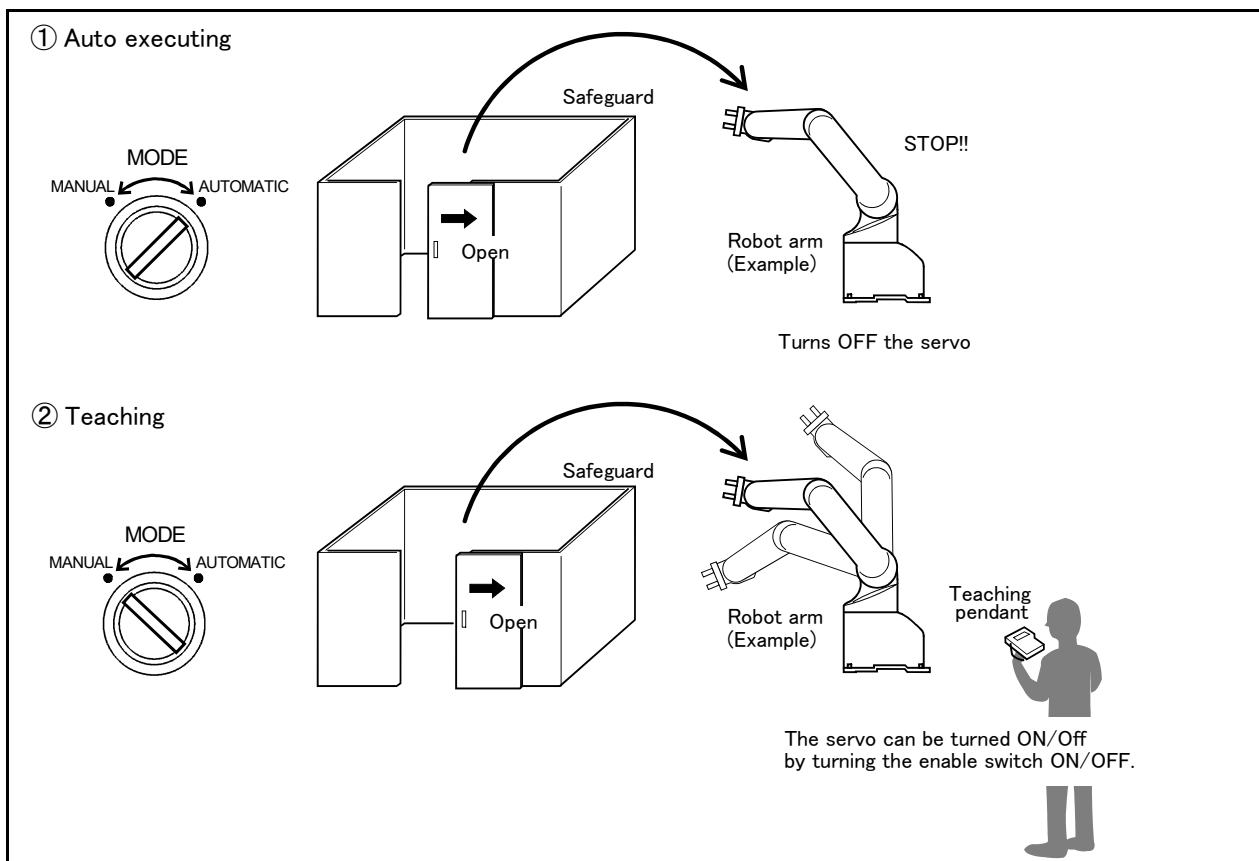


Fig.3-22 : Door switch function

3.6.4 Enabling device function

When the abnormalities occur in teaching operations etc., the robot's servo power can be immediately cut only by switch operation of the enabling device*1) (servo-off), and the safety increases. To use the robot safely, please be sure to connect the enabling device.

(1) When door is opening

Please do teaching by two-person operations. One person has T/B, the other has enabling device. Turn on the servo power, in the condition that both of switches are pushed. (Enable switch of T/B and enabling device) Then the jog operation will be available. You can off the servo power only by releasing the switch of the enabling device. And, care that the servo-on and releasing the brake cannot be done in the condition that the switch of the enabling device is released.

*1) Recommendation products: HE1G-L20MB (IDEC)

(2) When door is closing

You can turn on the servo power by operation of only T/B. In this case perform jog operation outside the safeguard sure.

(3) Automatic Operation/Jog Operation/Brake Release and Necessary Switch Settings

The following is a description of various operations performed on the robot and switch settings that are required.

Table 3-6 : Various operations and necessary switch settings

No	Operation	Related switch settings ^{Note1)}					Description
		Mode of controller	T/B enable/disable	T/B enable switch	Enabling device input terminal	Door switch input terminal	
1	Jog operation	Manual	Enable	ON	Close(ON)	—	If the enabling device input is set to Close (On), the state of door switch input does not matter.
2	Jog operation ^{Note2)}	Manual	Enable	ON	Open(OFF)	Close (Door Close)	If the enabling device input is set to Open (Off), door switch input must be in a state of Close
3	Brake release ^{Note3)}	Manual	Enable	ON	Close(ON)	—	Irrespective of the state of door switch input, enabling device input must be in a state of Close (On).
4	Automatic operation	Automatic	Disable	—	—	Close (Door Close)	Door switch input must always be in a state of Close (Door Close).

Note1) “—” in the table indicates that the state of switch concerned does not matter.

Refer to the following for operation of each switch.

- Mode of CR750 controller:Page 45, “3.2 Names of each part”
- Mode of CR751 controller:Page 75, “3.7 Mode changeover switch input”
- T/B enable/disable:.....Page 86, “(1) Teaching pendant (T/B)”
- T/B enable switch:Page 86, “(1) Teaching pendant (T/B)”
- Enabling device input terminal:.....Page 102, “6.1.7 Examples of safety measures”
- Door switch input terminal:.....Page 102, “6.1.7 Examples of safety measures”

Note2) Jog operation, if door switch input is set for Close (Door Close), must be performed outside the safety barrier.

Note3) It is imperative that brake release operation be carried out by two persons. One person turns on the enabling device (“Close” on the enabling device input terminal) while the other manipulates the T/B. Brake release can be effected only when both of the enabling switch device and the T/B enable switch are placed in intermediate position (lightly gripped position). At this point, the state of door switch input does not matter.

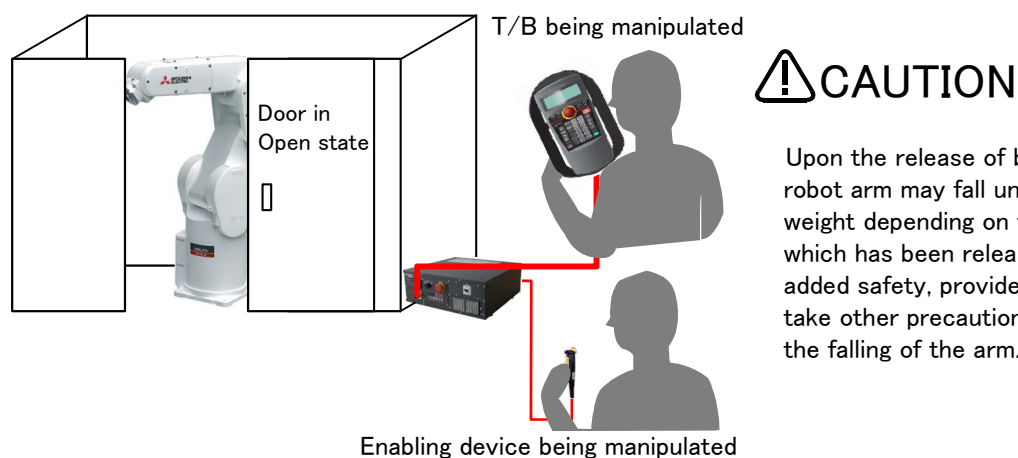


Fig.3-23 : Brake release operation

3.7 Mode changeover switch input

Connect the key switch of customer prepared and change the right of robot's operation by switch operation. The key switch can be installed in the operation panel of customer preparation.

<Right of operation (mode)>

AUTOMATIC.....The operation from external equipment becomes available. Operation which needs the right of operation from T/B cannot be performed. It is necessary to set the parameter for the rights of operation to connection with external equipment. Refer to the separate volume, "Instruction Manual/Detailed Explanation of Functions and Operations" for detail.

MANUALWhen T/B is available, only the operation from T/B becomes available. Operation which needs the right of operation from external equipment cannot be performed.

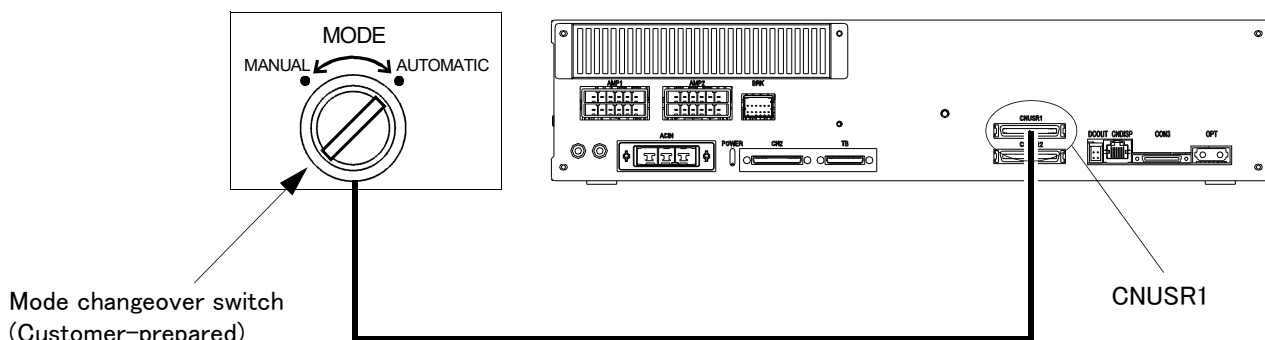


Fig.3-24 : Mode changeover switch image figure (CR751)

(1) Specification of the key switch interface

The function and specification of the key switch interface are shown below.

Table 3-7 : Function of the key switch interface

Pin number and Function (Connector: CNUSR1)		Change mode ^{Note1)}	
Pin number	Function	MANUAL	AUTOMATIC
49	1st line KEY input	Open	Close
24	Internal power supply of 1st line KEY input +24V output		
50	2nd line KEY input	Open	Close
25	Internal power supply of 2nd line KEY input +24V output		

Note1) The mode changes by both opening or both closing between 49-24 pin and between 50-25 pin. When input states differ between two lines, error H0044 (OP Mode key line is faulty) will occur.

[Note] For the input/output cable (CNUSR connector cable) that connects customer's system and the controller, prevent ground faults from occurring at the + side of the 24V power supply prepared by customer. A ground fault may lead to a failure of the protection device in the controller.

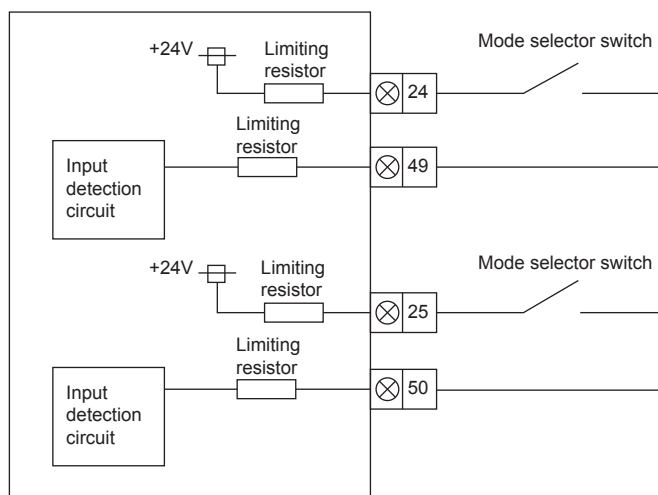


Fig.3-25 : Mode selector switch connection diagram

Table 3-8 : Specification of the mode changeover switch input

Item	Specification	Remarks
Rated voltage	DC24V	Supply from the drive unit.
Current rating	Approx. 10mA	Select the switch or button which operates normally in 24V/10mA.
Input resistance	Approx. 2.2k Ω	
Response time (OFF- \rightarrow ON)	Approx. 15ms	Example: The response time the program starts, after pushing the run button.
Common method	1 point per common	
Connection method	Connector	
Conformity electric wire size	AWG#24 to #30	0.2 to 0.05 mm ²
Maker/Type	-	Manufacturer: 3M / 10150-3000PE, 10350-52Y0-008 (cover)

(2) Connection of the mode changeover switch input

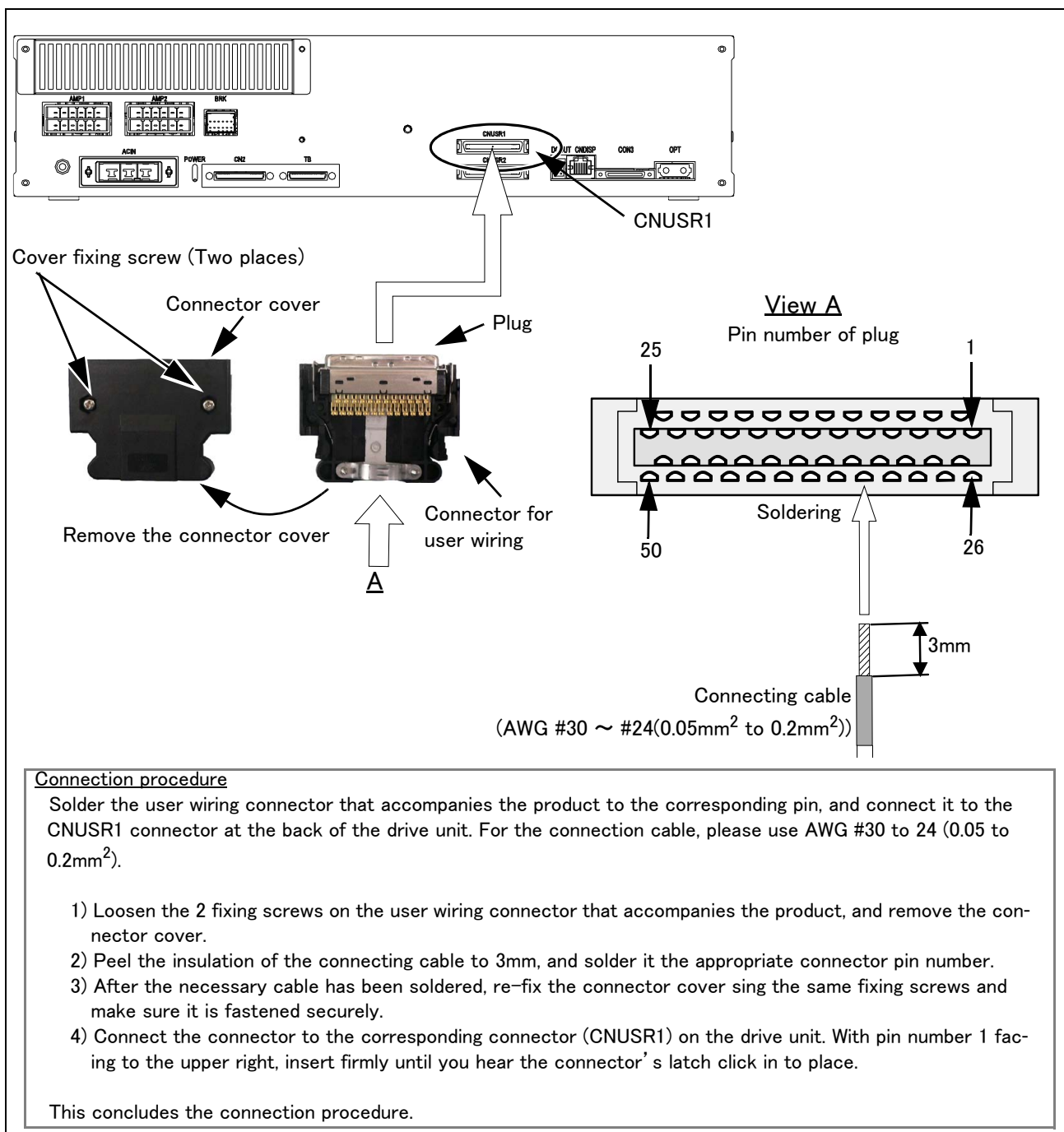


Fig.3-26 : Connection of the mode changeover switch input (CR751)

3.8 Additional Axis Function

This controller is equipped with an additional axis interface for controlling an additional axis when a traveling axis or rotary table is added to the robot. A maximum of eight axes of servo motors can be controlled at the same time by connecting a general-purpose servo amplifier (MR-J3-B, MR-J4-B series) that supports Mitsubishi's SSCNET III. Refer to the separate "Additional axis function Instruction Manual" for details on the additional axis function.

3.8.1 Wiring of the Additional Axis Interface

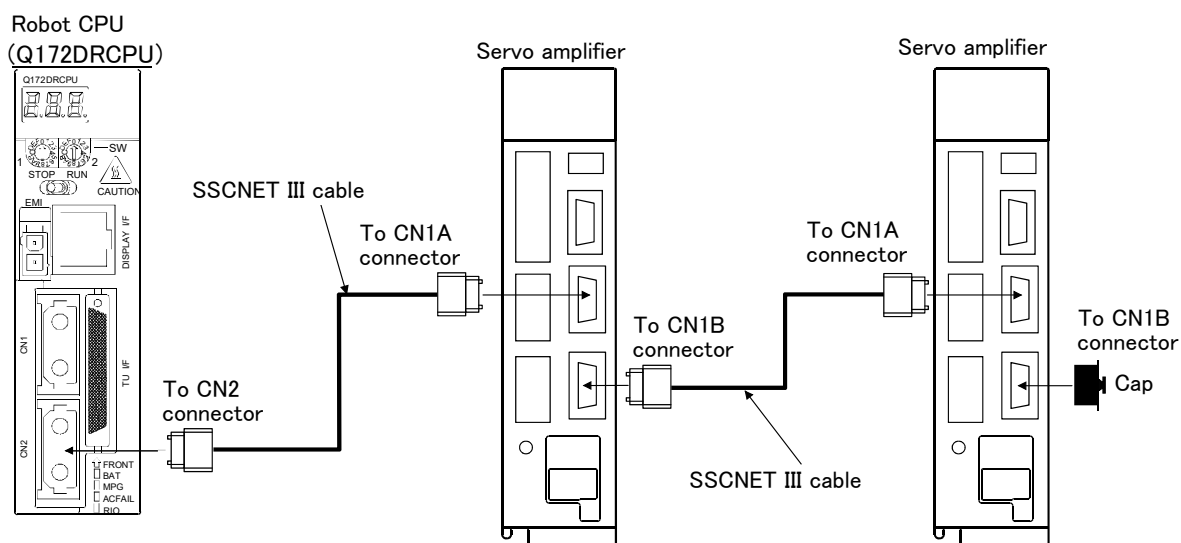
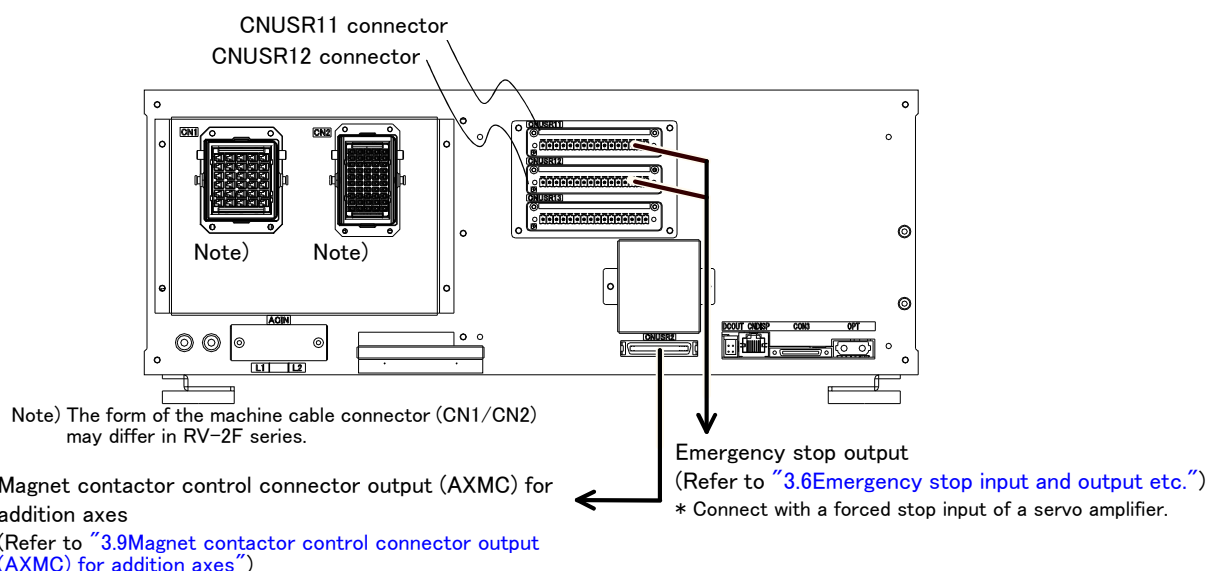
Table 3-9 shows the connectors for additional axes inside the drive unit. Fig. 3-27 (CR750) and Fig. 3-28 (CR751) shows a connection example (configuration example).

Table 3-9 : Dedicated connectors inside the drive unit

Name	Connector name	Details
Connector for additional axes	CN2(Robot CPU) ^{Note1)}	The connector for connecting the general-purpose servo amplifier.

Note1) Since the CN1 connector is used for the robot arms, it cannot be used for the addition axis.

(1) CR750 drive unit



* It cannot communicate, if connection of CN1A and CN1B is mistaken.

Fig.3-27 : Example of addition axis connection (CR750)

(2) CR751 drive unit

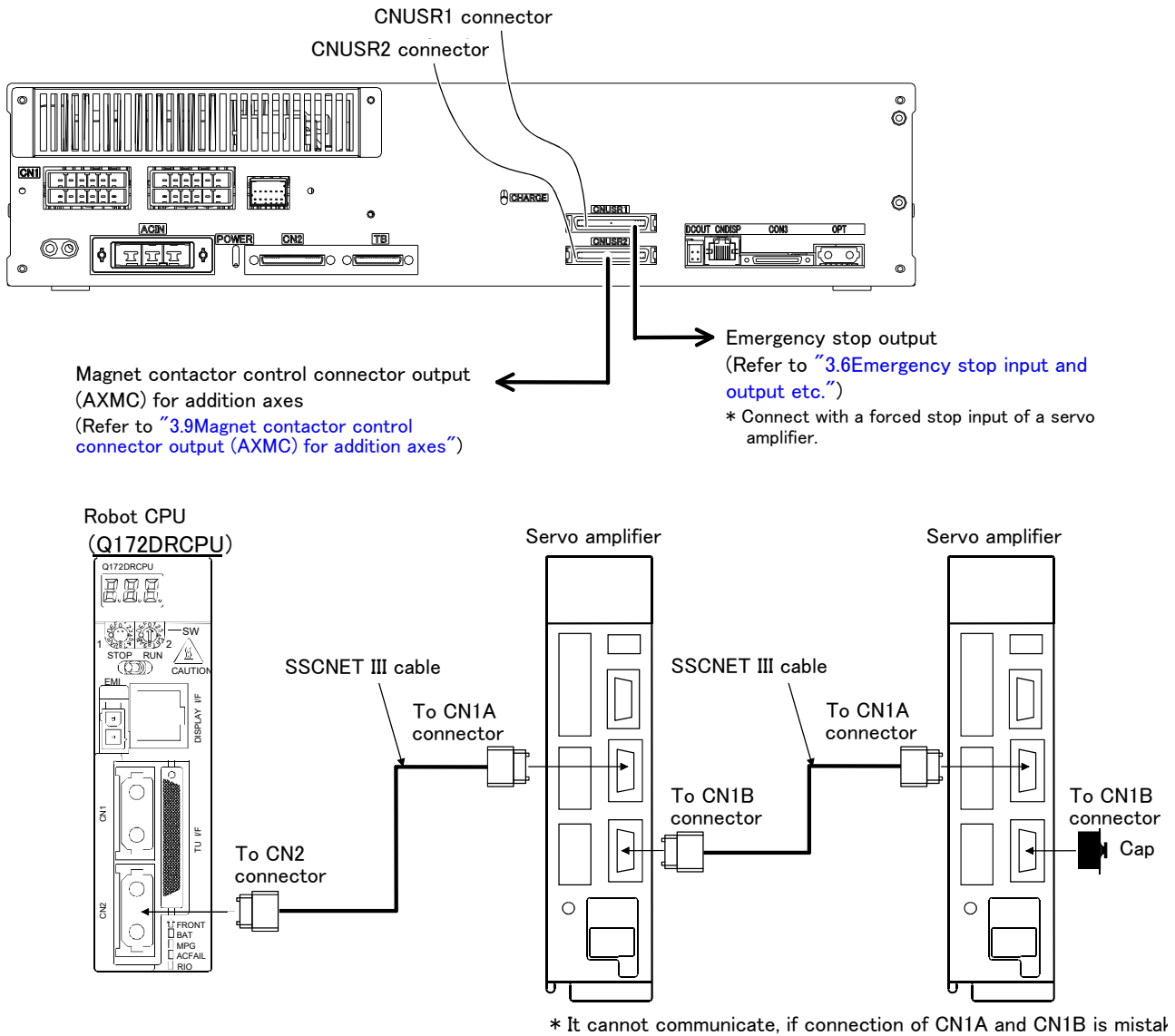


Fig.3-28 : Example of addition axis connection (CR751)

(3) Example of the installation of the noise filter

1) EMC filter (recommended)

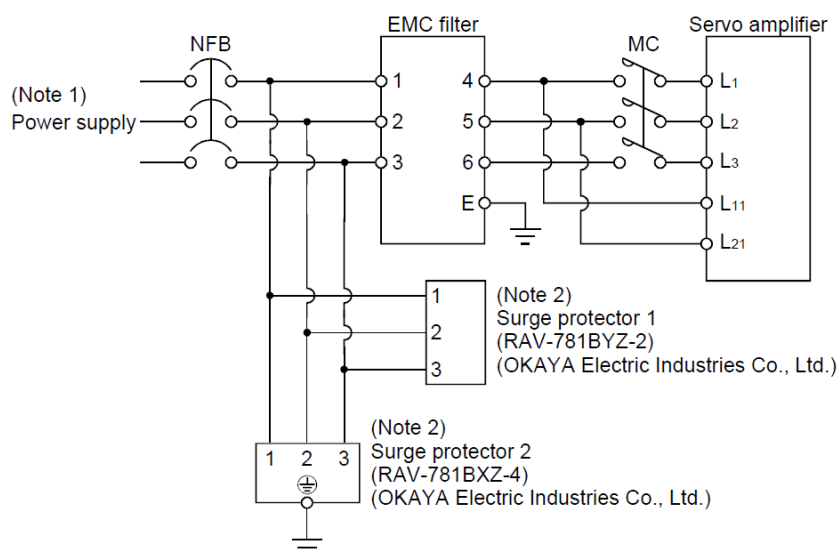
Please install the recommendation filter shown below according to the example of connection.

1) Combination with the servo amplifier

Servo amplifier	Recommended filter (Soshin Electric)		Mass [kg]([lb])
	Model	Leakage current [mA]	
MR-J3-10B to MR-J3-100B MR-J3-10B1 to MR-J3-40B1	(Note) HF3010A-UN	5	3 (6.61)
MR-J3-250B ▪ MR-J3-350B	(Note) HF3030A-UN		5.5 (12.13)
MR-J3-500B ▪ MR-J3-700B	(Note) HF3040A-UN	1.5	6.0 (13.23)
MR-J3-11KB to MR-J3-22KB	(Note) HF3100A-UN	6.5	15 (33.07)
MR-J3-60B4 ▪ MR-J3-100B4	TF3005C-TX	5.5	6(13.23)
MR-J3-200B4 to MR-J3-700B4	TF3020C-TX		7.5(16.54)
MR-J3-11KB4	TF3030C-TX		12.5(27.56)
MR-J3-15KB4	TF3040C-TX		
MR-J3-22KB4	TF3060C-TX		

Note. A surge protector is separately required to use any of these EMC filters.

2) Connection example



Note1) For 1-phase 200V to 230VAC power supply, connect the power supply to L1, L2 and leave L3 open.

There is no L3 for 1-phase 100 to 120 VAC power supply.

Note2) The example is when a surge protector is connected.

Fig.3-29 : Example of EMC noise filter installation

2) Line noise filter

This filter is effective in suppressing noises radiated from the power supply side and output side of the servo amplifier and also in suppressing high-frequency leakage current (zero-phase current) especially within 0.5MHz to 5MHz band.

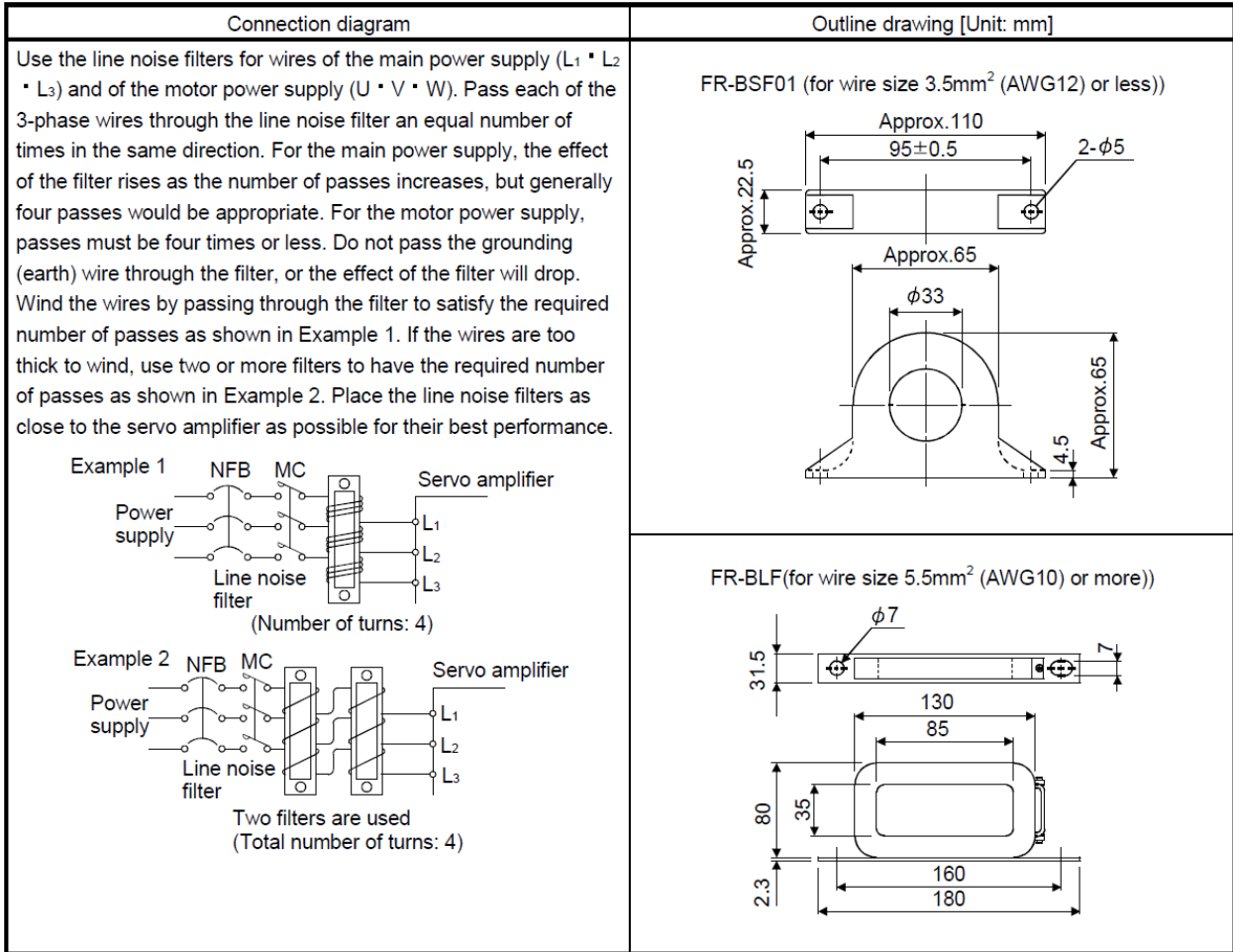


Fig.3-30 : Example of noise filter installation

3.9 Magnet contactor control connector output (AXMC) for addition axes

When an additional axis is used, the servo ON/OFF status of the additional axis can be synchronized with the servo ON/OFF status of the robot itself by using the output contact (AXMC) provided on the rear or inside of the drive unit and configuring a circuit so that the power to the servo amplifier for the additional axis can be turned off when this output is open.

An example circuit is shown in "(1)Example circuit". An image of how to connect the controller connector is shown in "(2)Image of how to connect the controller connector".

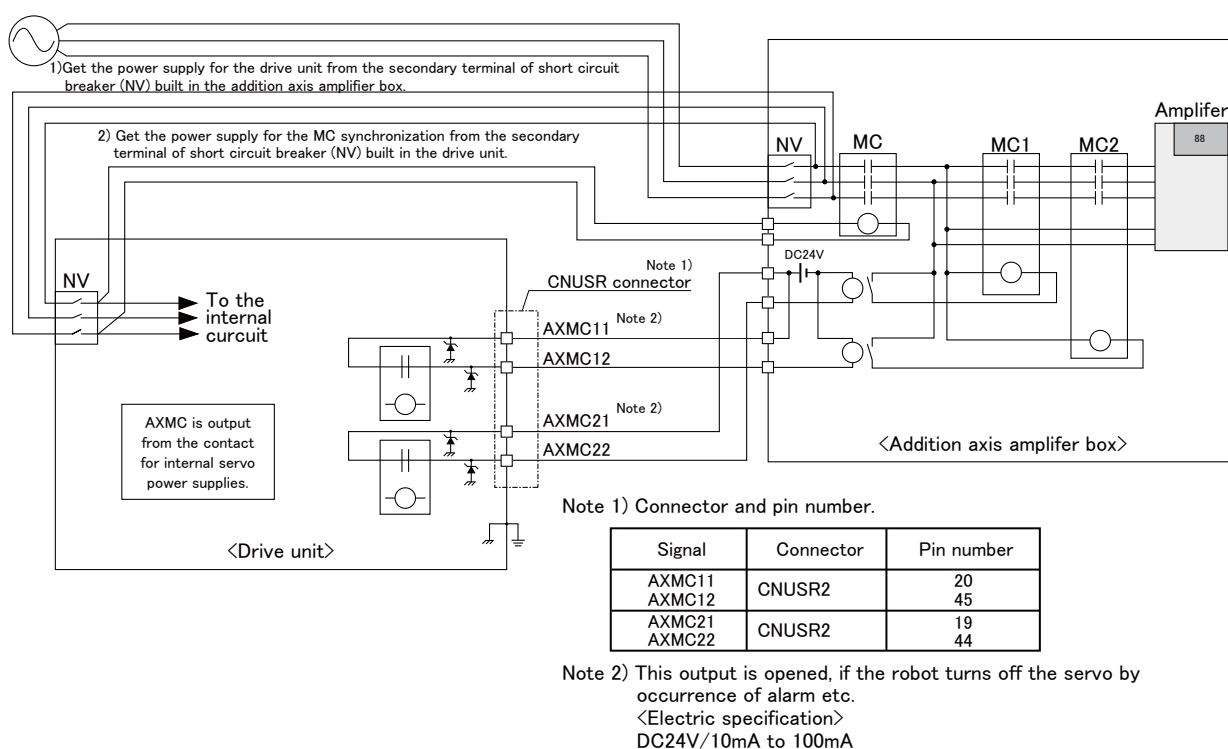
When you are using an additional axis, please perform appropriate circuit connections by referring to these drawings.

Refer to the separate "Additional axis function Instruction Manual" for details on the additional axis function.

Note1) you use the addition axis function as a user mechanism who became independent of the robot arm, please do not connect this output signal. Servo-on of the user mechanism may be unable.

(1) Example circuit

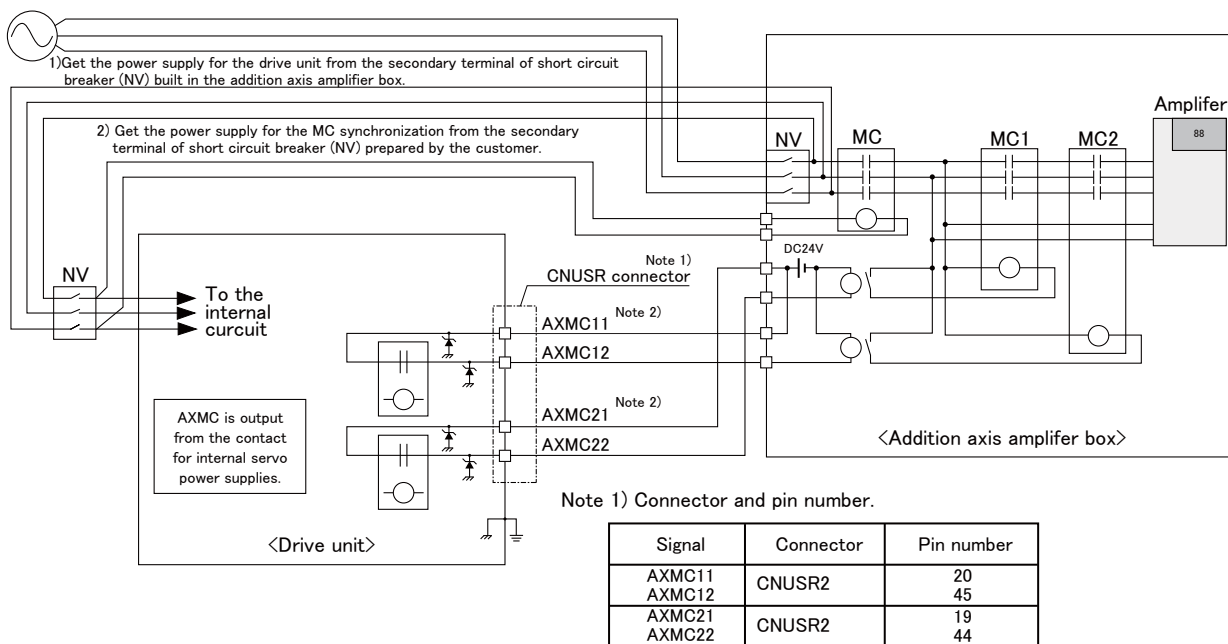
■ CR750 drive unit



[Note] For the input/output cable (CNUSR connector cable) that connects customer's system and the drive unit, prevent ground faults from occurring at the + side of the 24V power supply prepared by customer. A ground fault may lead to a failure of the protection device in the drive unit. Bending or frictional forces may be applied to the input/output cable repeatedly depending on the system configuration or layout. In this case, use a flexible cable for the input/output cable. Note that a fixed cable may be broken, resulting in a ground fault.

Fig.3-31 : Example of circuit for addition axes of Magnet contactor control output (CR750 drive unit)

■ CR751 drive unit



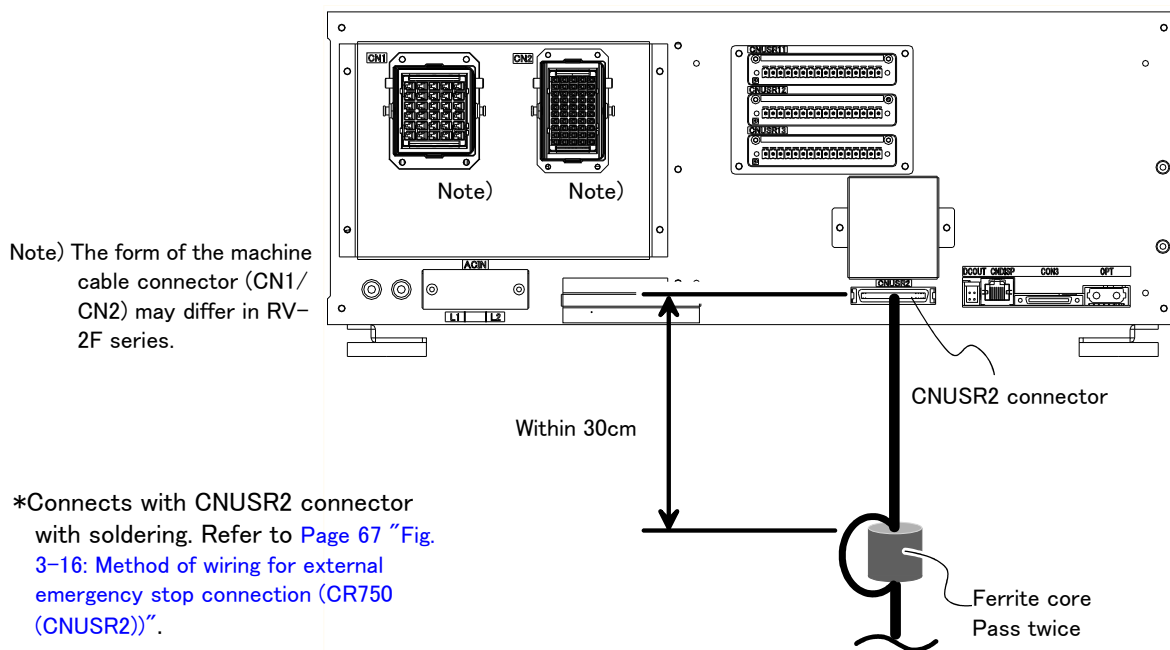
Note 2) This output is opened, if the robot turns off the servo by occurrence of alarm etc.
<Electric specification>
DC24V/10mA to 100mA

[Note] For the input/output cable (CNUSR connector cable) that connects customer's system and the drive unit, prevent ground faults from occurring at the + side of the 24V power supply prepared by customer. A ground fault may lead to a failure of the protection device in the drive unit.
Bending or frictional forces may be applied to the input/output cable repeatedly depending on the system configuration or layout. In this case, use a flexible cable for the input/output cable. Note that a fixed cable may be broken, resulting in a ground fault.

Fig.3-32 : Example of circuit for addition axes of Magnet contactor control output (CR751 drive unit)

(2) Image of how to connect the controller connector

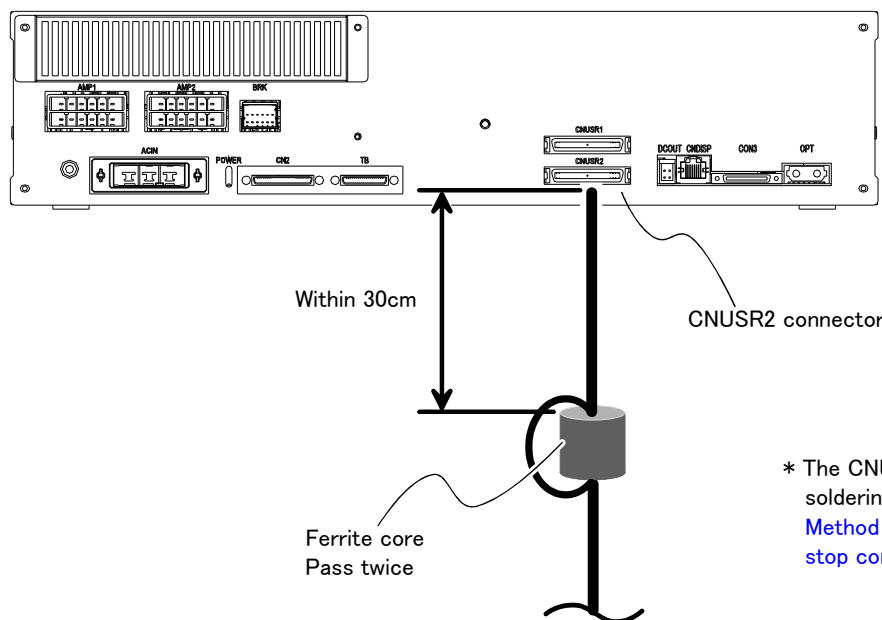
■ CR750 drive unit



*Connects with CNUSR2 connector with soldering. Refer to [Page 67 "Fig. 3-16: Method of wiring for external emergency stop connection \(CR750 \(CNUSR2\)\)"](#).

Fig.3-33 : AXMC terminal connector (CR750)

■ CR751 drive unit



* The CNUSR2 connector is connected by soldering. Refer to [Page 70 "Fig. 3-19: Method of wiring for external emergency stop connection \(CR751 \(CNUSR1/2\)\)"](#).

Fig.3-34 : AXMC terminal connector (CR751)

3.10 Options

■ What are options?

There are a variety of options for the robot designed to make the setting up process easier for user needs.

User installation is required for the options.

Options come in two types: "set options" and "single options".

1. Set optionsA combination of single options and parts that together, form a set for serving some purpose.
2. Single optionsThat are configured from the fewest number of required units of a part. Please choose user's purpose additionally.

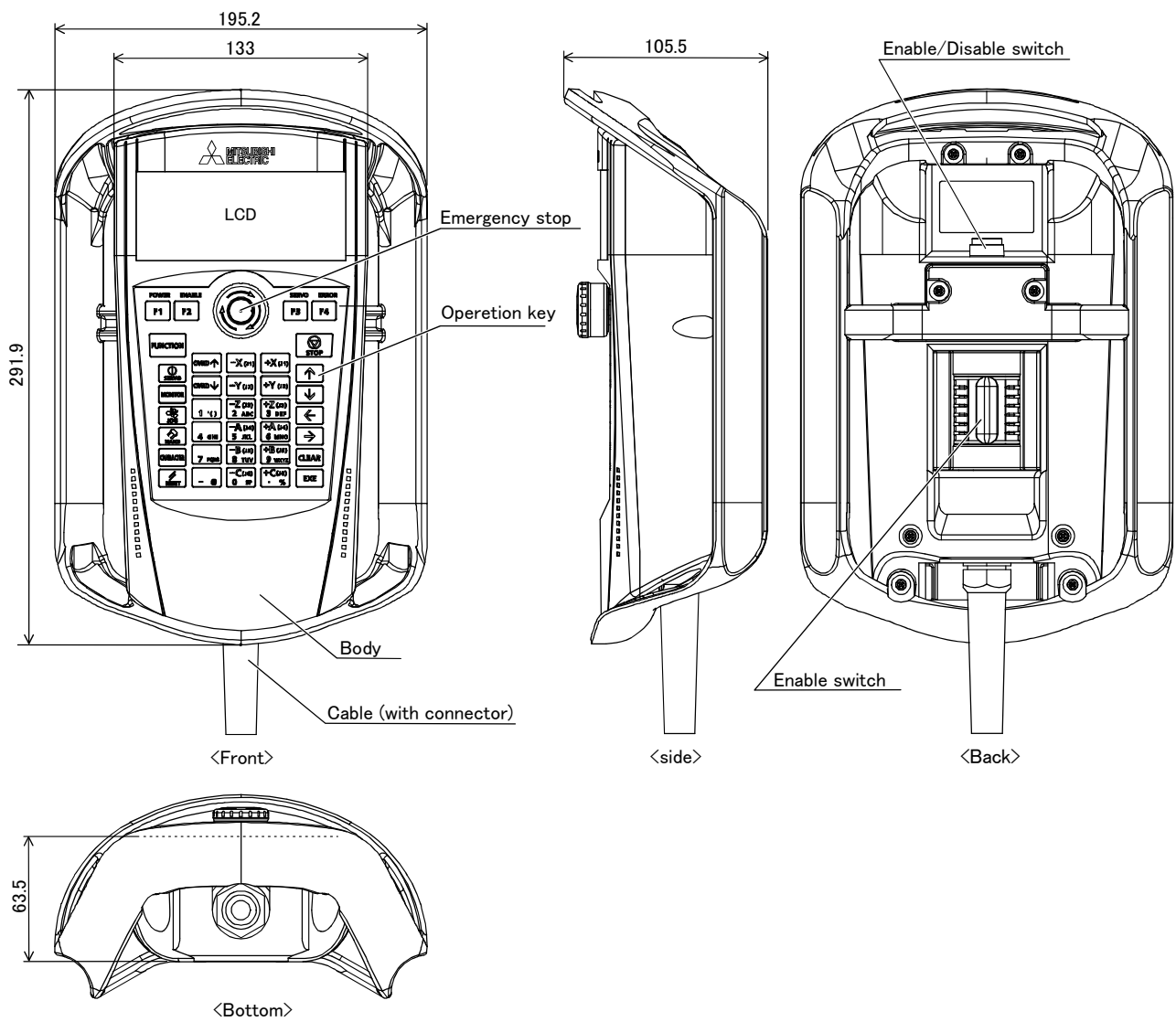


Fig.3-35 : Outside dimensions of teaching pendant

■ Installation method

The teaching pendant is connected to the T/B connector on the front of the drive unit.

■ Key layout and main functions

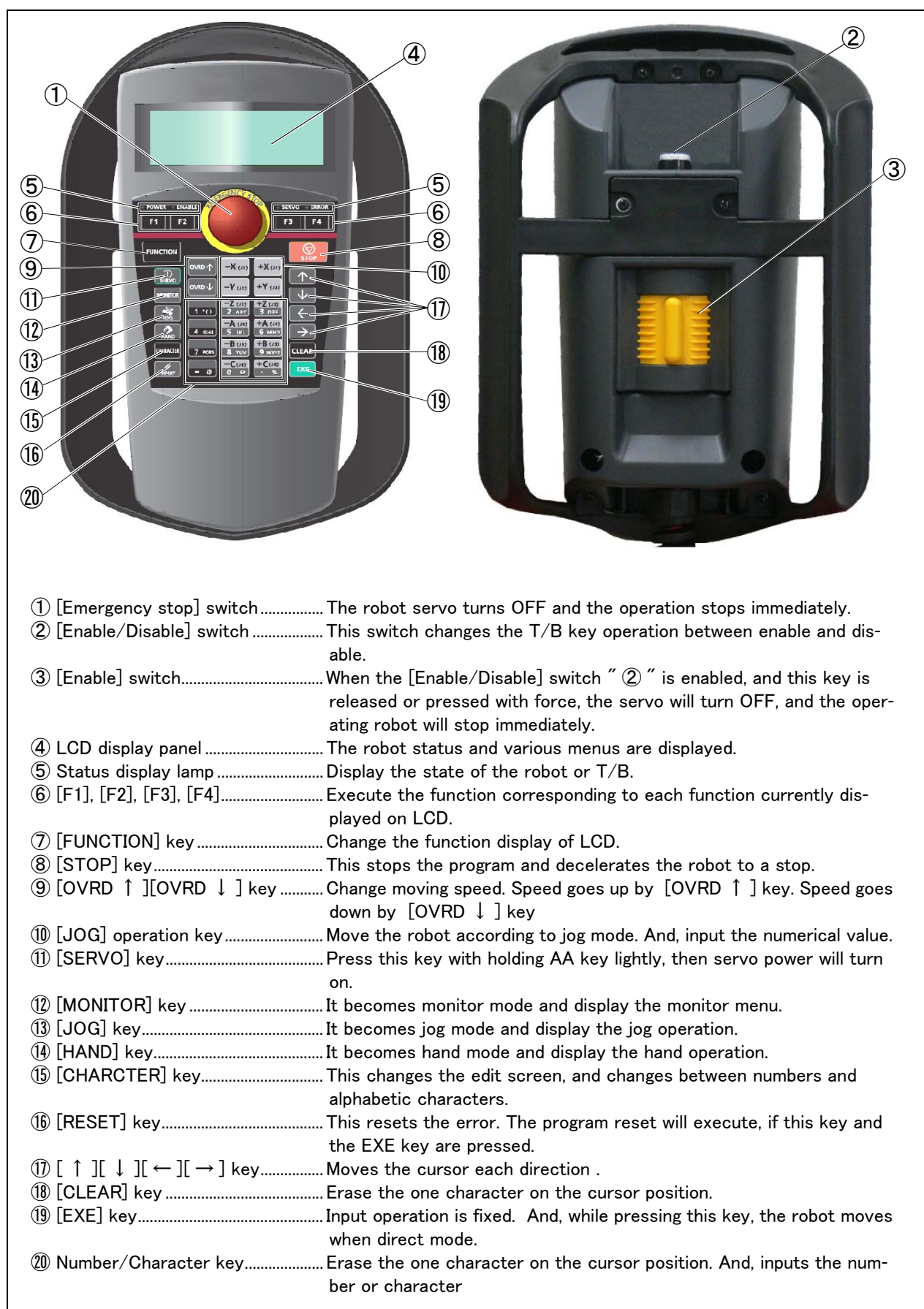


Fig.3-36 : Teaching pendant key layout and main functions

(2) MELSOFT RT ToolBox2/RT ToolBox2 mini

- Order type : ● MELSOFT RT ToolBox2
 *For windows CD-ROM : 3D-11C-WINE
- MELSOFT RT ToolBox2 mini
 *For windows CD-ROM : 3D-12C-WINE

■ Outline



This is handy software that fully uses the personal computer functions. It can be used in various stages from the robot specifications study (tact study, etc.) to the design support (creation and editing of programs), start up support (execution, control and debugging of program), and maintenance.

The "personal computer support software" which supports these function fully, and the "personal computer support software mini" which does not have the simulation function are available.

■ Configuration

Table 3-12 : Product configuration

Part name	Type	Medium	Mass (kg) ^{Note1)}	Remarks
RT ToolBox2	3D-11C-WINE	CD-ROM	0.2	
RT ToolBox2 mini	3D-12C-WINE	CD-ROM	0.2	

Note1) Mass indicates one set.

■ Features

- (1) Simple operation with guidance method and menu method
 The Windows standard is used for windows operation, so the controller initialization and startup operations can be carried out easily by following the instructions given on the screen. Even a beginner can easily carry out the series of operations from program creation to execution.
- (2) Increased work efficiency with ample support functions
 The work efficiency is greatly improved with the multi-window method that carries out multiple steps and displays in parallel. The renumbering function, and copy, search, syntax check and step execution are especially sufficient, and are extremely useful when editing or debugging the program.
 With the simulation function support, the program can be debugged and the tact checked before starting the machine at the site. This allows the on-site startup work efficiently to be greatly improved.
- (3) The maintenance forecast function increases the efficiency of maintenance work. Analyze the load condition while the robot is actually operating. Based on this analysis, calculate the time for maintenance, such as lubrication and belt replacement. By utilizing this information, the line stop time as well as the maintenance costs can be reduced.
- (4) The position recovery support function increases the recovery efficiency in the event of origin position displacement. This function compensates the origin settings and position data by just reproducing several previous teaching points when hand and/or arm displacement occurs, when replacing the motor and the belts, or when reloading the robot. This function can reduce the time required for recovery.

■ Functions

Table 3-13 : Functions

Function		Functional existence ^{Note1)}		Details
Compatible model		○	○	Personal computer running Windows XP, Windows Vista, Windows 7, Windows 8, Windows 8.1, or Windows 10. ^{Note2)}
Program editing functions	Editing functions	○	○	<ul style="list-style-type: none"> ▪ MELFA BASIC V language compatible ▪ Multiple editing screen simultaneously display ▪ Command input, comment writing ▪ Position data editing ▪ File operation (writing to controller, floppy disk, personal computer) ▪ Search and replace function (using characters, line Nos., labels) ▪ Copy, cut, paste, insert (per character, line), undo (per command statement, position conversion) ▪ Line No. automatic generation, renumbering ▪ Batch syntax check ▪ Command template ▪ Position conversion batch editing ▪ Position variable template ▪ Print, print preview
	Control functions	○	○	<ul style="list-style-type: none"> ▪ Program file control (list, copy, movement, delete, content comparison, name change, protect)
	Debugging functions	○	○	<ul style="list-style-type: none"> ▪ Direct editing of program in controller ▪ Confirmation of robot program operation (step execution, direct execution)
Simulation function		○	×	<ul style="list-style-type: none"> ▪ Off-line simulation of robot program operation using CG (computer graphics) ▪ Tact time calculation
Monitor functions		○	○	<ul style="list-style-type: none"> ▪ Robot operation monitor (robot operation state, stop signal, error monitor, program monitor (execution program, variables), general-purpose input/output signals (forced output possible), dedicated input/output signals, operation confirmation (operation range, current position, hand, etc.)) ▪ Operation monitor (working time statistics, production information, robot version) ▪ Servo monitor (load)
Maintenance function		○	○	<ul style="list-style-type: none"> ▪ Parameter setting ▪ Batch, divided backup

RT ToolBox2 mini
(3D-12C-WINE)

RT ToolBox2
(3D-11C-WINE)

Note1) The functions included with the RT ToolBox2 and the RT ToolBox2 mini are shown below.

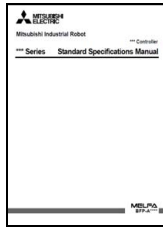
○ : Function provided × : Function not provided

Note2) Recommend corresponding to CE Marking, an FCC standard, and a VCCI standard.

(3) Instruction Manual (bookbinding)

■ Order type: ● 5F-RE01-PE01RH-2F-Q series

■ Outline



This is a printed version of the CD-ROM (instruction manual) supplied with this product.

■ Configuration

Table 3-14 : Product configuration

Name	Type	Mass (Kg) ^{Note1)}	Specifications
Instruction Manual	5F-RE01-PE01	2.6	The instructions manual set of "RV-2F-Q series".
Safety Manual	BFP-A8006	-	Items relating to safety in handling the robot
Standard Specifications	BFP-A8902	-	Specification of the robot arm and controller
Robot Arm Setup & Maintenance	BFP-A8904	-	Installation method of the robot arm, jog operation, and maintenance and inspection procedures
Controller Setup, Basic Operation and Maintenance	BFP-A8886	-	Installation method of the controller, basic operation, and maintenance and inspection procedures
Detailed Explanation of Functions and Operations	BFP-A8869	-	Functions of the controller and T/B, operation method, and explanation of MELFA-BASIC V
Troubleshooting	BFP-A8871	-	Causes of errors occurred and their countermeasures
Additional axis function	BFP-A8663	-	Function of the additional axis, operation method.
Tracking Function Manual	BFP-A8664	-	Function of the Tracking, operation method.
Extended Function	BFP-A8787	-	Function of the Extended, operation method.

Note1) Mass indicates one set.

3.11 Maintenance parts

The consumable parts used in the controller are shown in [Table 3-15](#). Purchase these parts from your dealer when required. Some Mitsubishi-designated parts differ from the maker's standard parts. Thus, confirm the part name, robot arm and controller serial No. and purchase the parts from your dealer.

Table 3-15 : Controller consumable parts list

No.	Name	Type ^{Note1)}	Qty.	Usage place	Supplier
1	Lithium battery	Q6BAT	1	The battery unit connected to the robot CPU unit	Mitsubishi Electric
2	Filter	CR750 drive unit: BKOFA0773H42 CR751 drive unit: BKOFA0773H41	1	Inside the filter cover	

Note1) Confirm the robot arm serial No., and contact the dealer or service branch of Mitsubishi Electric Co., for the type.

4 Software

4.1 List of commands

The available new functions in MELFA-BASIC V are given in Table 4-1.

Table 4-1 : List of MELFA-BASIC V commands

Type	Class	Function	Input format (example)
Position and operation control	Joint interpolation	Moves to the designated position with joint interpolation.	Mov P1
	Linear interpolation	Moves to the designated position with linear interpolation.	Mvs P1
	Circular interpolation	Moves along a designated arc (start point → passing point → start point (end point)) with 3-dimensional circular interpolation (360 degrees).	Mvc P1,P2,P1
		Moves along a designated arc (start point → passing point → end point) with 3-dimensional circular interpolation.	Mvr P1,P2,P3
		Moves along the arc on the opposite side of a designated arc (start point → reference point → end point) with 3-dimensional circular interpolation.	Mvr2 P1,P9,P3
		Moves along a set arc (start point → end point) with 3-dimensional circular interpolation.	Mvr3 P1,P9,P3
		Speed designation	Designates the speed for various interpolation operations with a percentage (0.1% unit).
		Designate the speed for joint interpolation operation with a percentage (0.1% unit).	JOvrd 100
		Designates the speed for linear and circular interpolation with a numerical value (mm/s unit).	Spd 123.5
		Designates the acceleration/deceleration time as a percentage in respect to the predetermined maximum acceleration/deceleration. (1% unit)	Accel 50,80
		Automatically adjusts the acceleration/deceleration according to the parameter setting value.	Oadl ON
		Sets the hand and work conditions for automatic adjustment of the acceleration/deceleration.	Loadset 1,1
	Operation	Adds a process unconditionally to the operation.	Wth
		Adds a process conditionally to the operation.	WthIf
		Designates smooth operation.	Cnt 1,100,200
		Performance of movement is upgraded corresponding to the application.	MvTune 4
		Designates the positioning completion conditions with a No. of pulses.	Fine 200
		Designates the positioning completion conditions with a distance in a straight line	Fine 1, P
		Designates the positioning completion conditions with a joint interpolation.	Fine 0.5, J, 2
		Turns the servo power ON/OFF for all axes.	Servo OFF
	Position control	Limits the operation of each axis so that the designated torque is not exceeded.	Torq 4,10
		Designates the base conversion data.	Base P1
		Designates the tool conversion data.	Tool P1
	Float control	The robot arm rigidity is lowered and softened. (XYZ coordinate system)	Cmp Pos ,&B00000011
		The robot arm rigidity is lowered and softened. (JOINT coordinate system)	Cmp Jnt ,&B00000011
		The robot arm rigidity is lowered and softened. (TOOL coordinate system)	Cmp Tool ,&B00000011
		The robot arm rigidity is returned to the normal state.	Cmp Off
		The robot arm rigidity is designated.	CmpG 1.0,1.0,1.0,1.0,1.0,1.0,1.0,1.0
	Pallet	Defines the pallet.	Def Plt 1,P1,P2,P3,P4,5,3,1
		Operates the pallet grid point position.	Plt 1,M1
	Singular point passage	Move to a specified position using linear interpolation passing through a singular point.	Mvs P1 Type 0,2

Type	Class	Function	Input format (example)
Program control	Branching	Branches unconditionally to the designated place.	GoTo 120
		Branches according to the designated conditions.	If M1=1 Then GoTo *L100 Else GoTo 20 End If
		Repeats until the designated end conditions are satisfied.	For M1=1 TO 10 Next M1
		Repeats while the designated conditions are satisfied.	While M1<10 WEnd
		Branches corresponding to the designated expression value.	On M1 GoTo *La1, *Lb2, *Lc3
		Executes program block corresponding to the designated expression value..	Select Case 1 Break Case 2 Break End Select
		Moves the program process to the next line.	Skip
	Collision detection	Set to enable/disable the collision detection.	ColChk ON/OFF
		Set the detection level of the collision detection.	CollLvl 100,80,.....
	Subroutine	Executes the designated subroutine. (Within program)	GoSub *L200
		Returns from the subroutine.	Return
		Executes the designated program.	CallP "P10",M1,P1
		Defines the program argument executed with the CALLP command.	FPm M10,P10
		Executes the subroutine corresponding to the designated expression value.	On M1 GoSub *La1, *Lb2, *Lc3
	Interrupt	Defines the interrupt conditions and process.	Def Act 1, M1=1 GoTo *L100
		Enables/disables the interrupt.	Act 1=1
		Defines the start line of the program to be executed when an interrupt is generated from the communication line.	On Com(1) GoSub *L100
		Enables the interrupt from the communication line.	Com(1) On
		Disables the interrupt from the communication line.	Com(1) Off
		Stops the interrupt from the communication line.	Com(1) Stop
	Wait	Designates the wait time, and the output signal pulse output time. (0.01s unit)	Dly 0.5
		Waits until the variable becomes the designated value.	Wait M_In(1)=1
	Stop	Stops the program execution.	Hlt
		Generates an error. During program execution, continue, stop or servo OFF can be designated.	Error 9000
	End	Ends the program execution.	End
	Hand	Hand open	Opens the designated hand.
Hand close		Closes the designated hand.	HClose 1
Input/output	Assignment	Defines the input/output variables.	Def IO PORT1=BIT,0
	Input	Retrieves the general-purpose input signal.	M1=M_In(1)
	Output	Calls out the general-purpose output signal.	M_Out(1)=0
Parallel execution	Mechanism designation	Acquires the mechanism with the designated mechanism No.	GetM 1
		Releases the mechanism with the designated mechanism No.	RelM 1
	Selection	Selects the designated program for the designated slot.	XLoad 2,"P102"
	Start/stop	Carries out parallel execution of the designated program.	XRun 3,"100",0
		Stops parallel execution of the designated program.	XStp 3
Returns the designated program's execution line to the head and enters the program selection enabled state.	XRst 3		

Type	Class	Function	Input format (example)
Others	Definition	Defines the integer type or real number type variable.	Def Inte KAISUU
		Defines the character string variable.	Def Char MESSAGE
		Defines the layout variable. (Up to 3-dimensional possible)	Dim PDATA(2,3)
		Defines the joint variable.	Def Jnt TAIHI
		Defines the position variable.	Def Pos TORU
		Defines the function.	Def FN TASU(A,B)=A+B
	Clear	Clears the general-purpose output signal, variables in program, variables between programs, etc.	Clr 1
	File	Opens a file.	Open "COM1:" AS #1
		Closes a file.	Close #1
		Inputs data from a file.	Input# 1,M1
		Outputs data to a file.	Print# 1,M1
	Comment	Describes a comment.	Rem "ABC"
	Label	Indicates the branching destination.	*SUB1

4.2 List of parameters

Show the main parameter in the [Table 4-2](#).

Table 4-2 : List of parameters

Parameter		Details
Standard tool coordinates.	MEXTL	Set the default value for the tool data. Unit: mm or deg.
Standard base coordinates	MEXBS	Set the relation of the world coordinate system and robot coordinate system. Unit: mm or deg.
XYZ operation range	MEPAR	Designate the overrun limit value for the world coordinate system.
JOINT operation range	MEJAR	Set the overrun limit value for each joint axis.
Free plane limit		This is the overrun limit set with the free plane. Create a plane with the three coordinates x1, y1, z1 to x3, y3, z3, and set the outer side of the plane as the outside operation range (error). The following three types of parameters are used.
	SFC1P : SFC8P	Eight types of free plane limits can be set in SFC1P to SFC8P. There are nine elements, set in the order of x1, y1, z1, x2, y2, z2, x3, y3, z3.
	SFC1ME : SFC8ME	Designate which mechanism to use eight types of set free plane limits. The mechanism No. to use is set with 1 to 3.
	SFC1AT : SFC8AT	Set the validity of the eight types of set free plane limits. (Valid 1/Valid 2/invalid = 1/-1/0)
User-defined area		An area (cube) defined with two XYZ coordinate points can be designated and that area set as the outside operation range. Furthermore, a signal can be output when the axis enters that area. Up to 32 types of area can be designated.
	AREA1CS : AREA32CS	Specify the coordinate system of the user definition area *. 0: Base coordinate system (conventional compatibility) 1: Robot coordinate system
	AREA1P1 : AREA32P1	Designated the 1st point of the area. There are eight elements, set in the order of x, y, z, a, b, c, L1, L2. (L1 and L2 are the additional axes.)
	AREA1P2 : AREA32P2	Designated the 2nd point of the area. There are eight elements, set in the order of x, y, z, a, b, c, L1, L2. (L1 and L2 are the additional axes.)
	AREA1ME : AREA32ME	Designate which mechanism to use the 32 types of set area. The mechanism No. to use is set with 1 to 3.
	AREA1AT : AREA32AT	Designate the area check type. (Invalid/zone/interference = 0/1/2) Zone: The dedicated output signal USRAREA turns ON. Interference: An error occurs..
Automatic return setting	RETPATH	Set to restart the program after returning to the interrupt position when resuming operation after an interruption.
Buzzer ON/OFF	BZR	Designate whether to the turn buzzer ON or OFF.
Jog setting	JOGJSP	Designate the joint jog and step operation speed. (Set dimension H/L amount, max. override.)
	JOGPSP	Designate the linear jog and step operation speed. (Set dimension H/L amount, max. override.)
Jog speed limit value	JOGSPMX	Limit the operation speed during the teaching mode. Max. 250[mm/s]
Hand type	HANDTYPE	Set the hand type of the single/double solenoid, and the signal No. (Single/double = S/D) Set the signal No. after the hand type. Example) D900
Stop input B contact designation	INB	Change the dedicated input (stop) to either of normal open or normal close.

Parameter		Details
User-designated origin	USERORG	Designate the user-designated origin position.
Program selection memory	SLOTON	Select the program selected previously when initializing the slot. The non-selected state will be entered when not set.
Communication setting	CBAU232	Set the baud rate.
	CLEN232	Set the character length.
	CPRTY232	Set the parity.
	CSTOP232	Set the stop bit.
	CTERM232	Set the end code.
Slot table	SLT1 : SLT32	Make settings (program name, operation type, order of priority, etc.) for each slot during slot initialization.
No. of multi-tasks	TASKMAX	Designate the No. of programs to be executed simultaneously. (Max. 32)
Multi CPU system setting	QMLTCPU N	At the multi CPU system, set the number of CPU units with which the standard base unit is equipped.
	QMLTCPU n	At the multi CPU system, set the number of points performing transmission and receipt between each CPU unit for the high speed communication function between multi CPU nos. 1 to 4.
	QMLTCPU S	At the CR750-Q/CR751-Q series controller, set the robot input signal offset for the multi CPU.
Select the function of singular point adjacent alarm	MESNGLS W	Designate the valid/invalid of the singular point adjacent alarm. (Invalid/Valid = 0/1) When this parameter is set up "VALID", this warning sound is buzzing even if parameter: BZR (buzzer ON/OFF) is set up "OFF".
Display language.	LNG	Change the language to display on the LCD display of teaching pendant.

5 Instruction Manual

5.1 The details of each instruction manuals

The contents and purposes of the documents enclosed with this product are shown below. Use these documents according to the application.

Instruction manuals enclosed in dashed lines in the list below are for optional products.

For special specifications, a separate instruction manual describing the special section may be enclosed.

Safety Manual	Explains the common precautions and safety measures to be taken for robot handling, system design and manufacture to ensure safety of the operators involved with the robot.
Standard Specifications	Explains the product's standard specifications, factory-set special specifications, option configuration and maintenance parts, etc. Precautions for safety and technology, when incorporating the robot, are also explained.
Robot Arm Setup & Maintenance	Explains the procedures required to operate the robot arm (unpacking, transportation, installation, confirmation of operation), and the maintenance and inspection procedures.
Controller Setup, Basic Operation and Maintenance	Explains the procedures required to operate the controller (unpacking, transportation, installation, confirmation of operation), basic operation from creating the program to automatic operation, and the maintenance and inspection procedures.
Detailed Explanation of Functions and Operations	Explains details on the functions and operations such as each function and operation, commands used in the program, connection with the external input/output device, and parameters, etc.
Troubleshooting	Explains the causes and remedies to be taken when an error occurs. Explanations are given for each error No.
Additional axis function	Explains the specifications, functions and operations of the additional axis control.
Tracking Function Manual	Explains the control function and specifications of conveyor tracking
Extended Function Instruction Manual	Explains the detailed description of data configuration of shared memory, monitoring, and operating procedures, about the PLC(CR750-Q/CR751-Q controller) and the GOT(CR750-D/CR751-D controller).

6 Safety

6.1 Safety

Measures to be taken regarding safety of the industrial robot are specified in the “Labor Safety and Sanitation Rules”. Always follow these rules when using the robot to ensure safety.

6.1.1 Self-diagnosis stop functions

This robot has the self-diagnosis stop functions shown in [Table 6-1](#) and the stop functions shown in [Table 6-2](#) for safe use.

Table 6-1 : Self-diagnosis stop functions

No.	Function		Details	Remarks
1	Overload protection function		Activates when the total servo current time exceeds the specified value.	The drive circuit is shut off. The robot stops, and an alarm displays.
2	Overcurrent diagnosis function		Activates when an overcurrent flows to the motor circuit.	The drive circuit is shut off. The robot stops, and an alarm displays.
3	Encoder disconnection diagnosis function		Activates when the encoder cable is disconnected.	The drive circuit is shut off. The robot stops, and an alarm displays.
4	Deflection over diagnosis function		Activates when an error occurs between the command value and actual position, and the error exceeds the specified amount.	The drive circuit is shut off. The robot stops, and an alarm displays.
5	AC power voltage drop diagnosis function		Activates when the AC power voltage drops below the specified value.	The drive circuit is shut off. The robot stops, and an alarm displays.
6	CPU error detection function		Activates when an error occurs in the CPU.	The drive circuit is shut off. The robot stops, and an alarm displays.
7	Overrun prevention function	Software limit detection	This is the limit provided by the software to enable operation only in the operation range.	The drive circuit is shut off. The robot stops, and an alarm displays.
		Mechanical stopper	This is the mechanical stopper provided outside the software.	

Table 6-2 : List of stop functions

Stop function	Operation panel <small>Note1)</small>	Teaching pendant	External input	Details
Emergency stop	○	○	○	This is the stop with the highest degree of emergency. The servo power is shut off, and the mechanical brakes (all axes) activate to stop the robot. To recover, reset the alarm, and turn the servo ON with the servo ON command.
Stop	○	○	○	This is a stop operation with a high degree of emergency. The robot immediately decelerates and stops. Note that the servo power is not shut off. Use this when using the collision evasion sensor, etc.

Note1) Only CR750 drive unit has operation panel.

6.1.2 External input/output signals that can be used for safety protection measures

Table 6-3 : External input/output signals that can be used for safety protection measures

Signal	Connection point	Parameter	Functions	Usage method	
Input	External emergency stop Note1)	Connector (CR750 drive unit: CNSUSR11/12) (CR751 drive unit: CNSUSR1)	–	This servo power is shut off, and the robot stops immediately.	Externally installed emergency stop switch. Door switch on safety protection fence. Stopping at high-level error occurrence.
	Door switch		–		The door switch of the safe protection fence
	Enabling device input		–		Enabling device. The safety switch during teaching work
	Stop	Sequencer unit	STOP	The program execution is stopped, and the robot stops. The servo power is not shut off.	The robot is stopped when a peripheral device fault occurs. The servo power is not shut off.
	Servo OFF		SRVOFF	The servo power can be shut off.	The robot is stopped when a peripheral device fault occurs. The servo power is not shut off.
	Automatic operation enable		AUTOENA	Disables automatic operation when inactive.	Door switch on safety protection fence
Output	Emergency stop output	Connector (CR750 drive unit: CNSUSR11/12) (CR751 drive unit: CNSUSR1)	–	Outputs the input signal of external emergency stop or emergency stop switch of T/B turned on.	Display and warn the pilot lamp, the input signal of external emergency stop or the emergency stop switch of T/B turned on.
	In servo ON	Sequencer unit	SRVON	The servo power ON/OFF state is output.	The servo power ON/OFF state is shown and alerted with the display lamps.
	Waiting		STOP	Outputs that the robot is temporarily stopped.	The temporary stop state is shown and alerted with the display lamps.
	In alarm	Connector (CR750/CR751 drive unit: CNUSR2)	ERRRESET –	Outputs when an alarm occurs in the robot.	The alarm state is shown and alerted with the display lamps.

Note1) The external emergency stop input is prepared as a normal close for safety proposes. Thus, if the emergency stop input circuit is opened when the robot is started up, the robot will not operate. Refer to [Page 102](#), “6.1.7 Examples of safety measures” for details.

And, refer to [Page 74](#), “(3) Automatic Operation/Jog Operation/Brake Release and Necessary Switch Settings” for the function of the door switch input and the enabling device input.

6.1.3 Precautions for using robot

The safety measures for using the robot are specified in the “Labor Safety and Sanitation Rules”. An outline of the rules is given below.

(1) Robot installation

- Secure sufficient work space required to safely perform work such as teaching and maintenance related to the robot.
- Install the controller outside the robot's motion space. (If a safety fence is provided, install outside the fence.)
- Install the controller where the entire robot operation can be viewed.
- Install display lamps, etc., to indicate the robot's operation state.
- Securely fix the robot arm onto the fixing table with the designated bolts.

(2) Prevention of contact with operator

- Install a safety fence or enclosure so that the operator cannot easily enter the robot's motion space.
- Install an interlock function that will stop the robot if the safety fence or enclosure door is opened.

(3) Work procedures

- Create and observe work procedures for the robot teaching, operation, inspection and emergencies.
- Create hand signals to be followed when several operators are working together.
- Create displays such as “Teaching in Progress” and “Inspection in Progress” to be put up when an operator is in the robot's motion space so that other operators will not operate the operation panel (controller, control panel).

(4) Training

- Train the operators about the operations, maintenance and safety required for the robot work.

- Only trained and registered operators must operate the robot. Participation in the “Special training for industrial robots” sponsored by the Labor Safety and Sanitation Committee, etc., is recommended for safety training.

(5) Daily inspection and periodic inspection

- Always inspect the robot before starting daily operations and confirm that there are no abnormalities.
- Set the periodic inspection standards in view of the robot’s ambient environment and operation frequency, and perform periodic inspections.
- Make records when periodic inspections and repairs have been done, and store the records for three or more years.

6.1.4 Safety measures for automatic operation

- (1) Install safety fences so that operators will not enter the operation area during operation and indicate that automatic operation is in progress with lamps, etc.
- (2) Create signals to be given when starting operation, assign a person to give the signal, and make sure that the operator follows the signals.

6.1.5 Safety measures for teaching

Observe the following measures when teaching, etc., in the robot’s operation range.

- (1) Specify and follow items such as procedures related to teaching work, etc.
- (2) Take measures so that operation can be stopped immediately in case of trouble, and measures so that operation can be restarted.
- (3) Take measures with the robot start switch, etc., to indicate that teaching work is being done.
- (4) Always inspect that stop functions such as the emergency stop device before starting the work.
- (5) Immediately stop the work when trouble occurs, and correct the trouble.
- (6) Take measures so that the work supervisor can immediately stop the robot operation when trouble occurs.
- (7) The teaching operator must have completed special training regarding safety. (Training regarding industrial robots and work methods, etc.)
- (8) Create signals to be used when several operators are working together.

6.1.6 Safety measures for maintenance and inspections, etc.

Turn the power OFF and take measures to prevent operators other than the relevant operator from pressing the start switch when performing inspections, repairs, adjustments, cleaning or oiling.

If operation is required, take measures to prevent hazards caused by unintentional or mistaken operations.

- (1) Specify and follow items such as procedures related to maintenance work, etc.
- (2) Take measures so that operation can be stopped immediately in case of trouble, and measures so that operation can be restarted.
- (3) Take measures with the robot start switch, etc., to indicate that work is being done.
- (4) Take measures so that the work supervisor can immediately stop the robot operation when trouble occurs.
- (5) The operator must have completed special training regarding safety. (Training regarding industrial robots and work methods, etc.)
- (6) Create signals to be used when several operators are working together.

6.1.7 Examples of safety measures

The drive unit's dedicated I/O terminal connector has a duplicate emergency stop circuit.

Create a circuit as shown below for safety measures. In addition, the figure shows the normal state which is not in the emergency stop state.

[Caution] Since we have omitted the information in part because of explanation, there is the section different from the product. Also refer to Page 112, "(3) External emergency stop connection [supplementary explanation]" .

[Note] · In the emergency-stop related wiring by the customer, if the coil (is not the contact points) of the relay prepared by the customer is connected to the drive unit, please be sure to implement the measure against the noise by the customer in the coil section. And, please also take the lifetime of noise suppression parts into consideration.

- Electric specification of the emergency-stop-related output terminal: 100mA/24V or less
- In the customer's system, do not ground the + side of 24V power supply prepared by customer for connect to the controller. (related with emergency stop and parallel input/output) If it connects with the controller under the condition that the + side is grounded, it will lead to failure of controller.

(1) CR750 drive unit

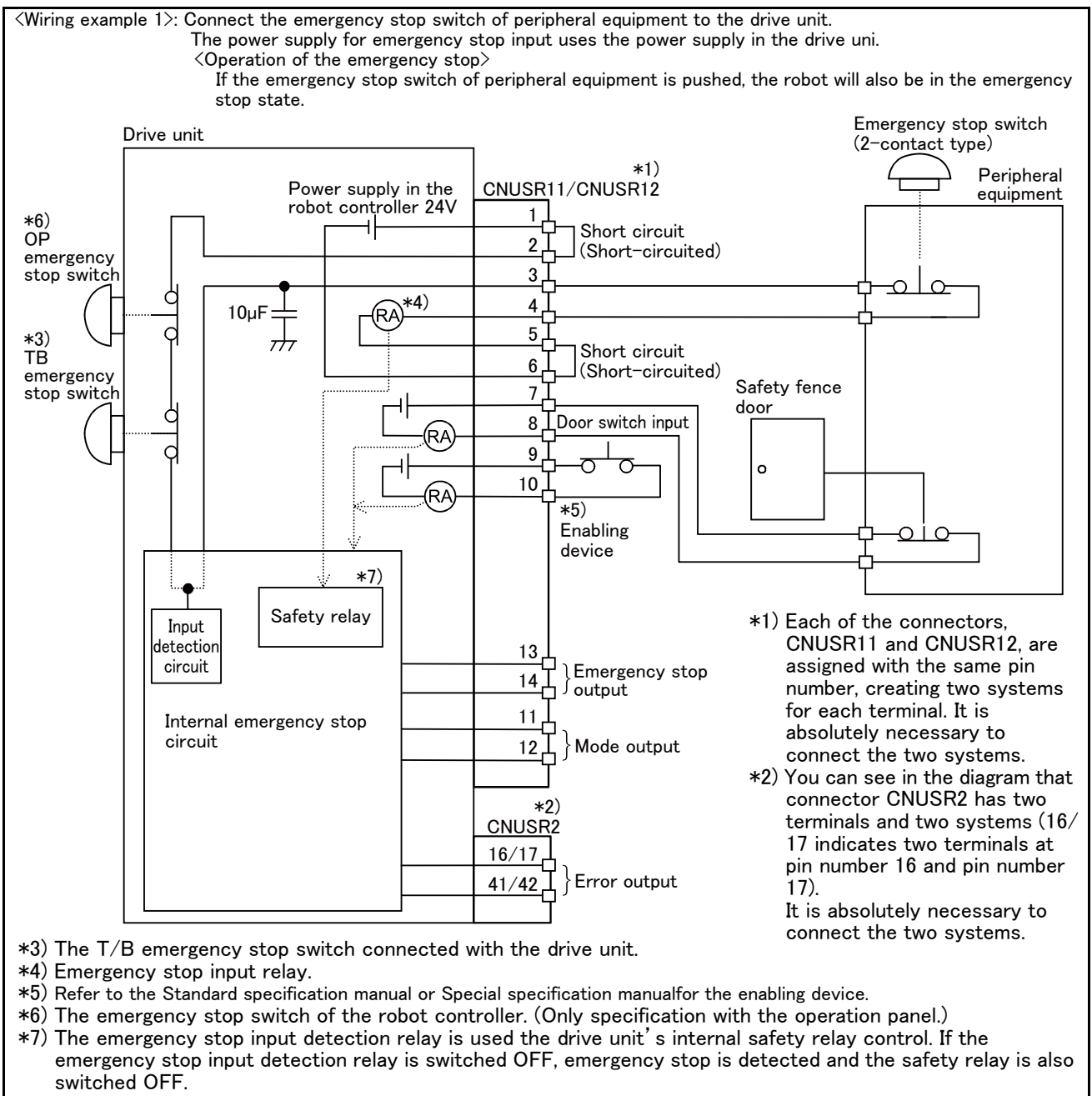
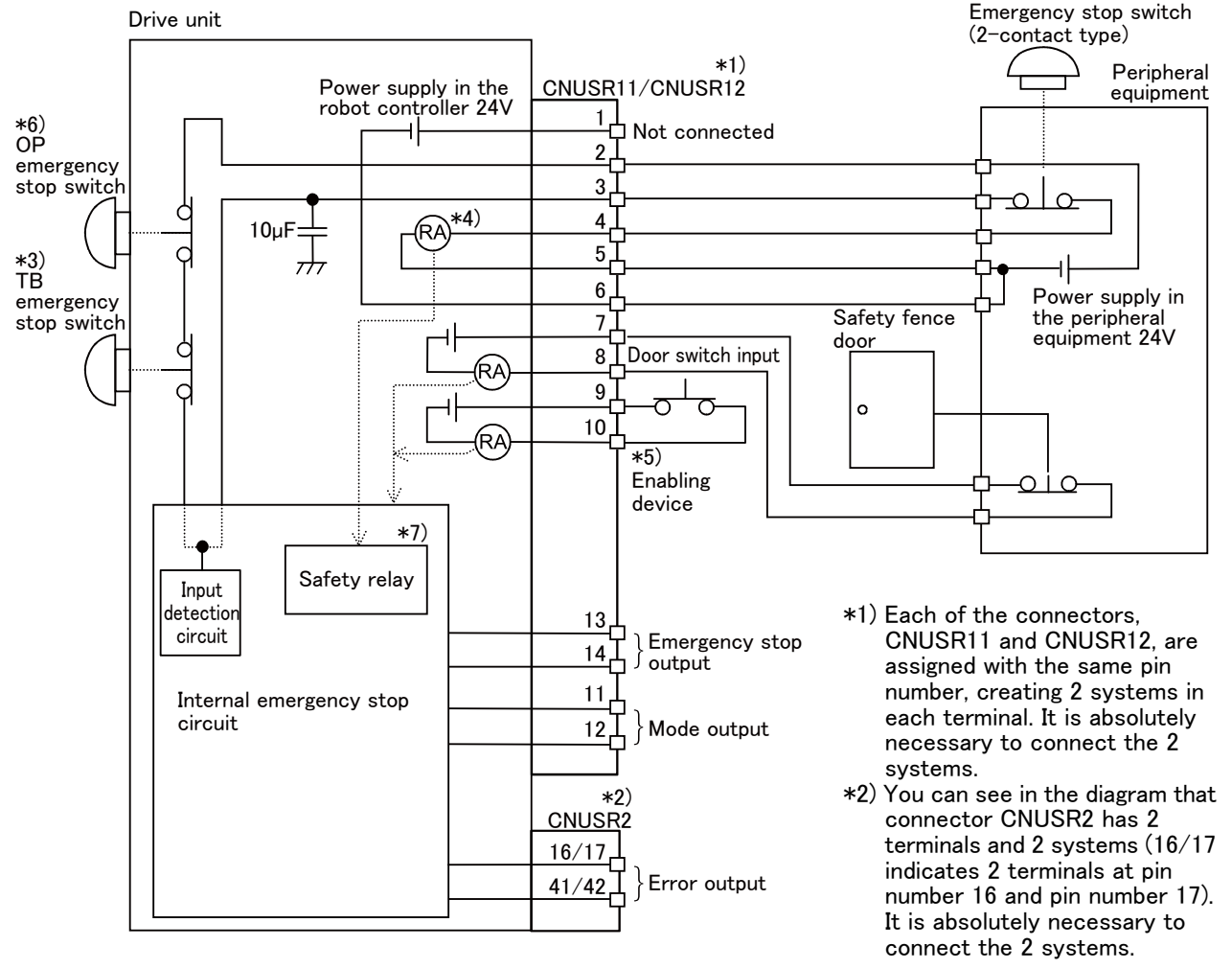


Fig.6-1 : Example of safety measures (CR750 wiring example 1)

<Wiring example 2>: Connect the emergency stop switch of peripheral equipment to the drive unit.
 The power supply for emergency stop input uses the power supply of peripheral equipment.
 <Operation of the emergency stop>
 If the emergency stop switch of peripheral equipment is pushed, the robot will also be in the emergency stop state.



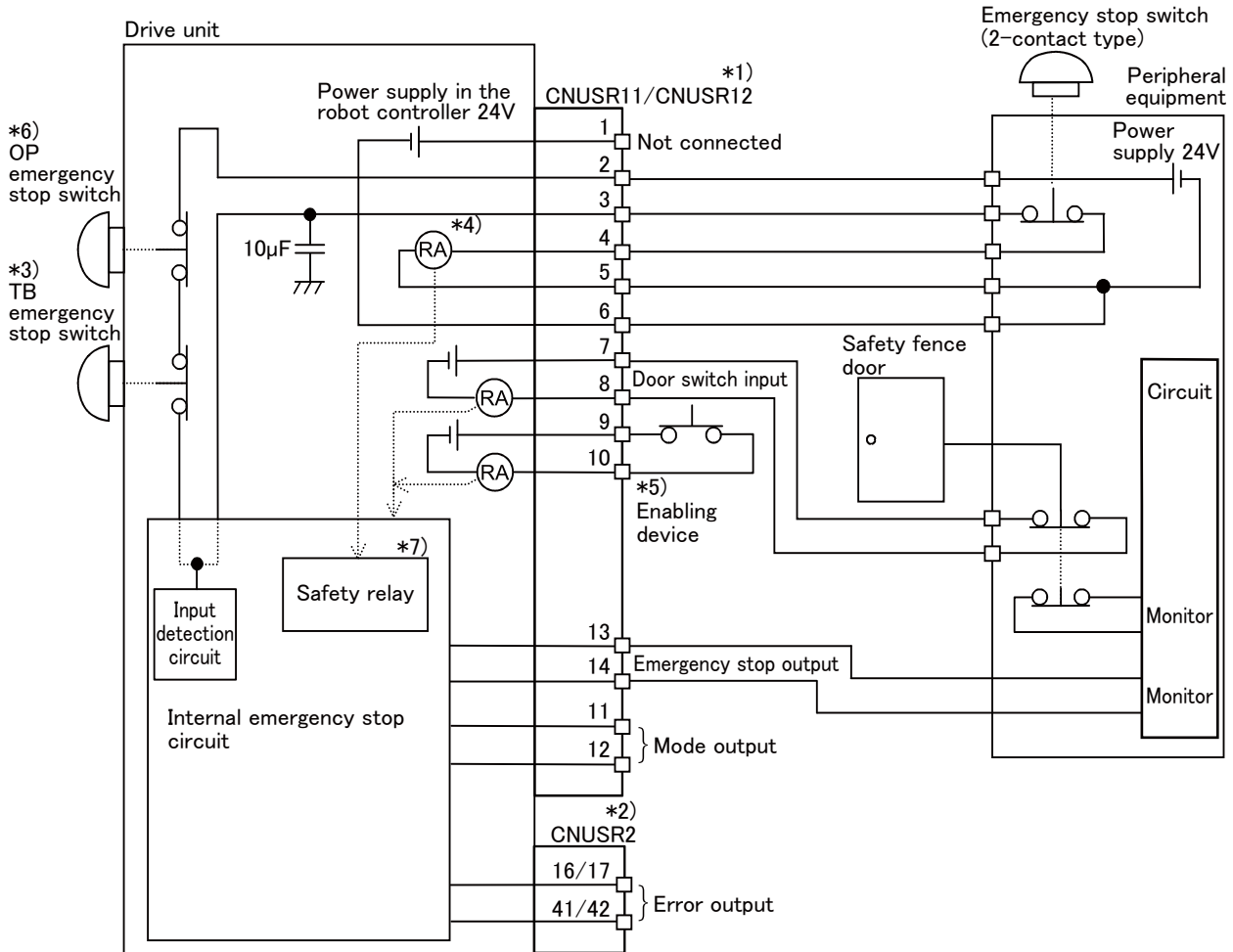
- *1) Each of the connectors, CNUSR11 and CNUSR12, are assigned with the same pin number, creating 2 systems in each terminal. It is absolutely necessary to connect the 2 systems.
- *2) You can see in the diagram that connector CNUSR2 has 2 terminals and 2 systems (16/17 indicates 2 terminals at pin number 16 and pin number 17). It is absolutely necessary to connect the 2 systems.
- *3) The T/B emergency stop switch connected with the drive unit.
- *4) Emergency stop input relay.
- *5) Refer to the Standard specification manual or the Special specification manual for the enabling device.
- *6) The emergency stop switch of the robot controller.
(Only specification with the operation panel.)
- *7) The emergency stop input detection relay uses the drive unit's internal safety relay control. If the emergency stop input detection relay is switched OFF, emergency stop is detected and the safety relay is also switched OFF.

Fig.6-2 : Example of safety measures (CR750 wiring example 2)

<Wiring example 3>: Connect the emergency stop switch, door switch, and enabling device of peripheral equipment to the drive unit. The power supply for emergency stop input uses the power supply of peripheral equipment. Monitor the emergency stop state by the peripheral equipment side.

<Operation of the emergency stop>

If the emergency stop switch of peripheral equipment is pushed, the robot will also be in the emergency stop state. And, if the emergency stop switch of OP or T/B is pushed in the state of the power of drive unit OFF, peripheral equipment state can be the emergency stop also.



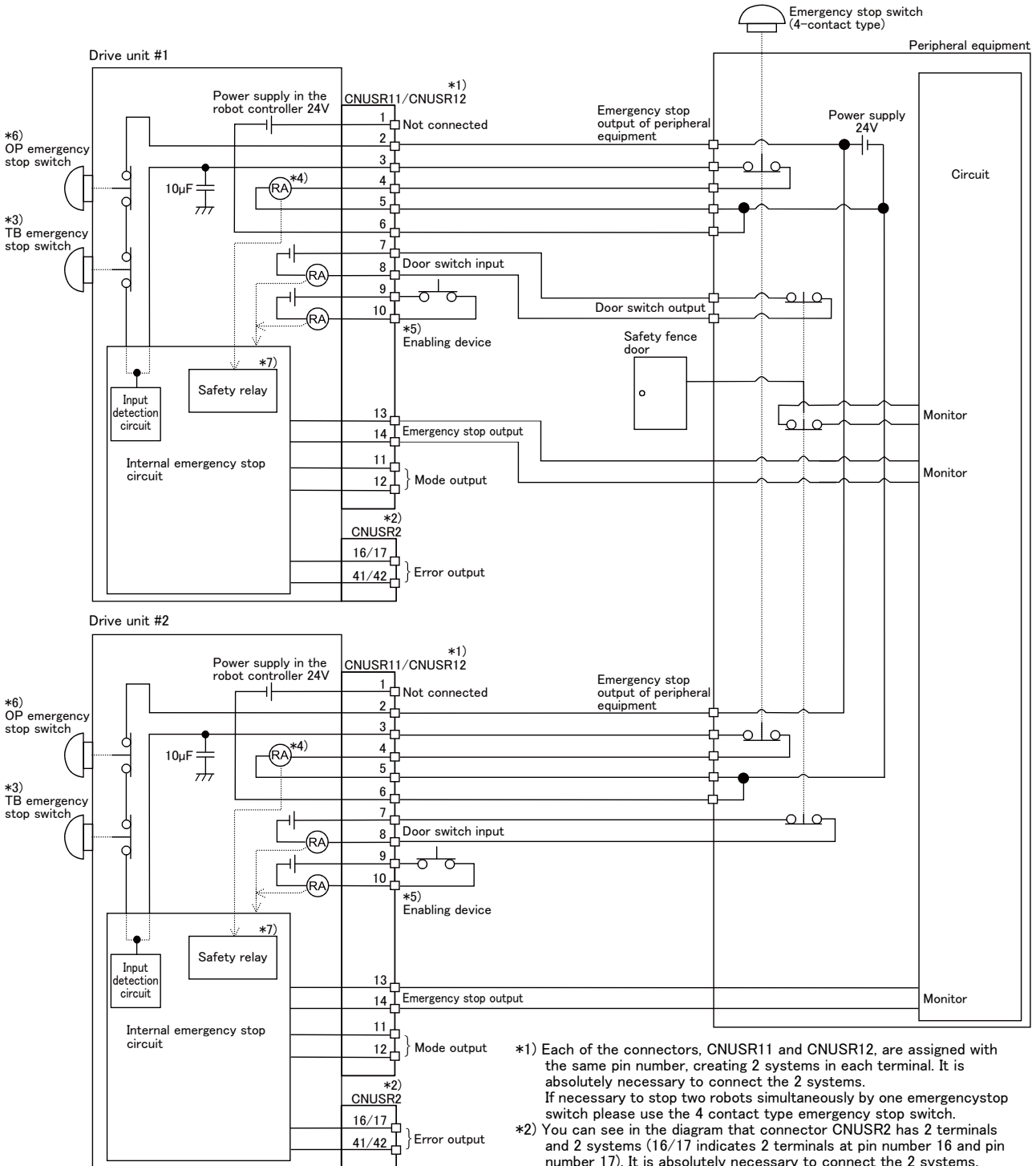
- *1) Each of the connectors, CNUSR11 and CNUSR12, are assigned with the same pin number, creating 2 systems in each terminal. It is absolutely necessary to connect the 2 systems.
- *2) You can see in the diagram that connector CNUSR2 has 2 terminals and 2 systems (16/17 indicates 2 terminals at pin number 16 and pin number 17). It is absolutely necessary to connect the 2 systems.
- *3) The T/B emergency stop switch connected with the controller.
- *4) Emergency stop input relay.
- *5) Refer to the Standard specification manual or the Special specification manual for the enabling device.
- *6) The emergency stop switch of the robot controller.
(Only specification with the operation panel.)
- *7) The emergency stop input detection relay uses the drive unit's internal safety relay control. If the emergency stop input detection relay is switched OFF, emergency stop is detected and the safety relay is also switched OFF.

Fig.6-3 : Example of safety measures (CR750 wiring example 3)

<Wiring example 4>: Connect the emergency stop switch of peripheral equipment, and the door switch to two drive units, and it interlocks. Connect the enabling device to the robot controller. The power supply for emergency stop input uses the power supply of peripheral equipment. Monitor the emergency stop state by the peripheral equipment side.

<Operation of the emergency stop>

If the emergency stop switch of peripheral equipment is pushed, the robot will also be in the emergency stop state. And, if the emergency stop switch of OP or T/B is pushed in the state of the power of drive unit OFF, peripheral equipment state can be the emergency stop also.



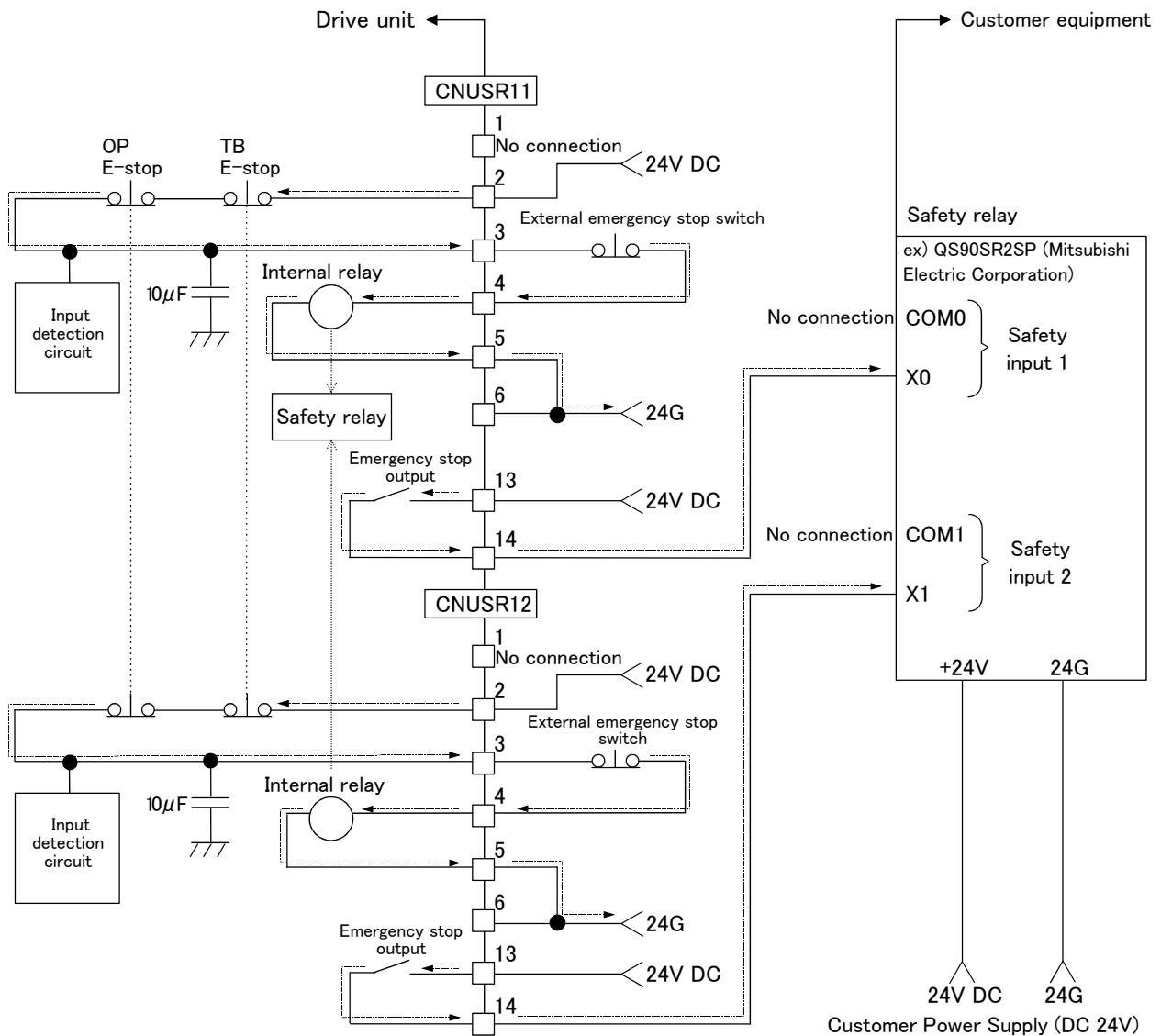
- *1) Each of the connectors, CNUSR11 and CNUSR12, are assigned with the same pin number, creating 2 systems in each terminal. It is absolutely necessary to connect the 2 systems. If necessary to stop two robots simultaneously by one emergency stop switch please use the 4 contact type emergency stop switch.
- *2) You can see in the diagram that connector CNUSR2 has 2 terminals and 2 systems (16/17 indicates 2 terminals at pin number 16 and pin number 17). It is absolutely necessary to connect the 2 systems.
- *3) The T/B emergency stop switch connected with the drive unit.
- *4) Emergency stop input relay.

- *5) Refer to the Standard specification manual or the Special specification manual for the enabling device.
- *6) The emergency stop switch of the robot controller. (Only specification with the operation panel.)
- *7) The emergency stop input detection relay uses the drive unit's internal safety relay control. If the emergency stop input detection relay is switched OFF, emergency stop is detected and the safety relay is also switched OFF.

Fig.6-4 : Example of safety measures (CR750 wiring example 4)

<Wiring example 5>: Connect the drive unit to the safety relay

Use the drive unit's emergency stop switch command as an input to the safety relay.



[Caution]

- 1) This product has category 3 functionality and therefore the robot's whole unit cannot be set to category 4.
- 2) The drive unit's internal circuit has polarity. Please adhere to the polarity as detailed in the wiring examples, particularly for emergency stop switch output when using user equipment. Connect the positive side of the user equipment (24V DC) to the terminal 2 of CNUSR11/12, then connect the emergency stop switch (or contact points) in the user equipment to across the terminals 3 and 4 of CNUSR11/12, and ultimately connect the negative side (24G).
- 3) When installing a safety relay to use it as an input point of the drive unit's emergency stop switch command, use a safety relay that is activated by an input from one of the two systems (i.e. QS90SR2SP (Manufacturer: Mitsubishi Electric Corporation)).
- 4) The emergency stop input detection relay (internal relay) uses the drive unit's internal safety relay control. If the emergency stop input detection relay is switched OFF, emergency stop is detected and the safety relay is also switched OFF.
- 5) When connecting emergency stop switch output to an external safety relay, please take note of the polarity and make sure that the electrical current flows in the same direction as indicated by the dotted arrows in the two places in the diagram. If the polarity is setup incorrectly, this function will not operate correctly. Please connect the terminal 13 of CNUSR11/12 to 24V.

Fig.6-5 : Example of safety measures (CR750 wiring example 5)

(2) CR751 drive unit

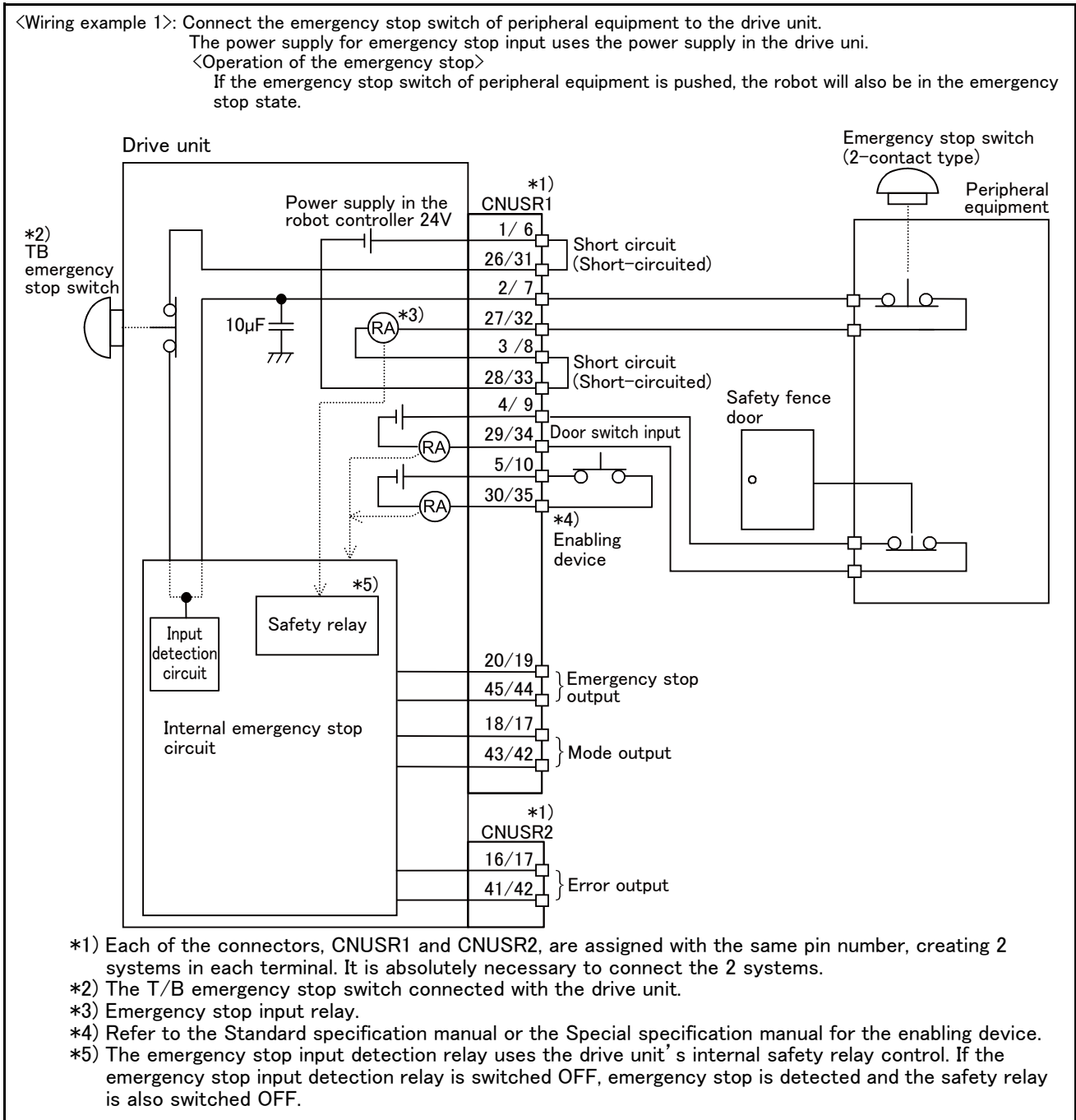


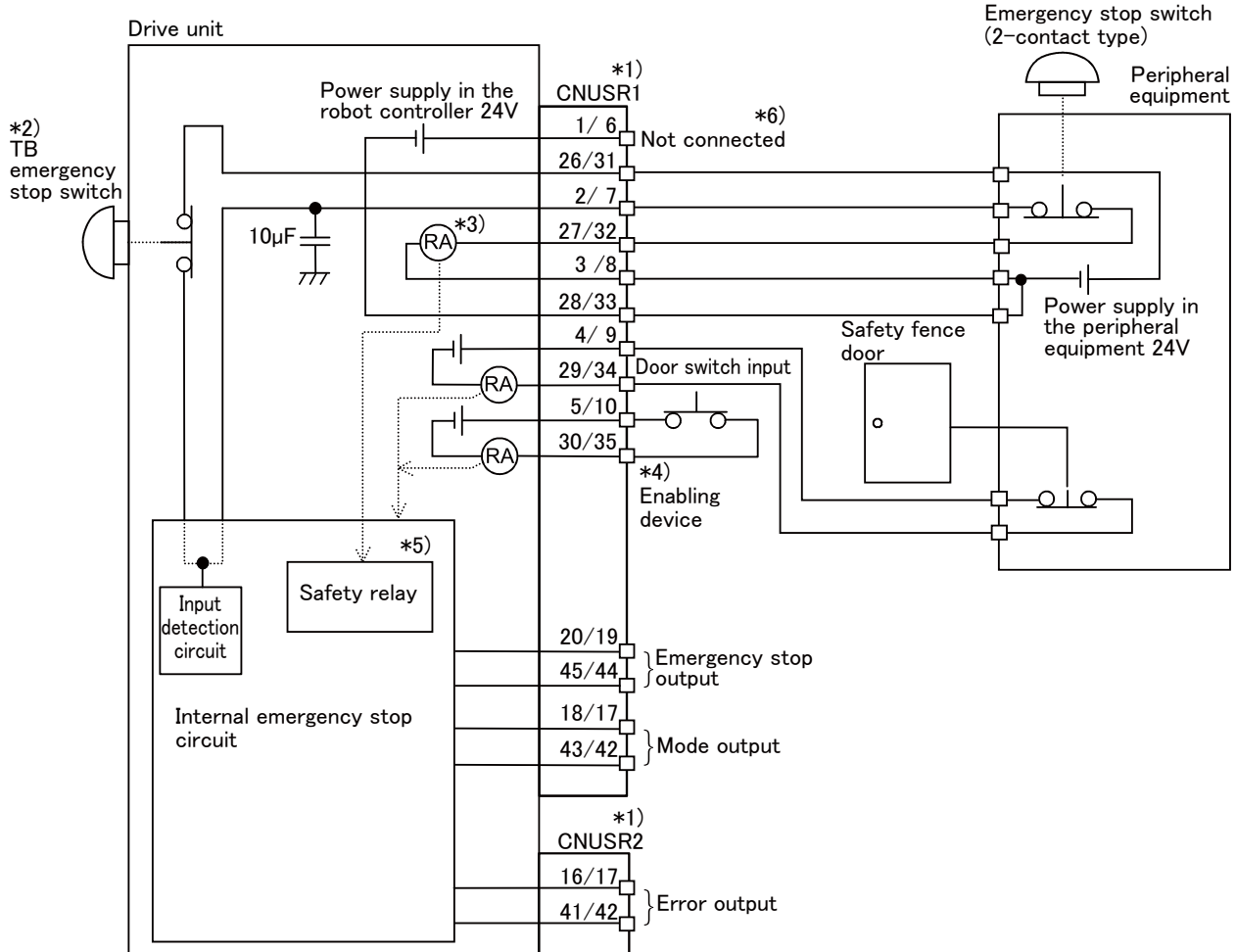
Fig.6-6 : Example of safety measures (CR751 wiring example 1)

<Wiring example 2>: Connect the emergency stop switch of peripheral equipment to the drive unit.

The power supply for emergency stop input uses the power supply of peripheral equipment.

<Operation of the emergency stop>

If the emergency stop switch of peripheral equipment is pushed, the robot will also be in the emergency stop state.



*1) Each of the connectors, CNUSR1 and CNUSR2, are assigned with the same pin number, creating 2 systems in each terminal. It is absolutely necessary to connect the 2 systems.

*2) The T/B emergency stop switch connected with the drive unit.

*3) Emergency stop input relay.

*4) Refer to the Standard specification manual or the Special specification manual for the enabling device.

*5) The emergency stop input detection relay uses the drive unit's internal safety relay control. If the emergency stop input detection relay is switched OFF, emergency stop is detected and the safety relay is also switched OFF.

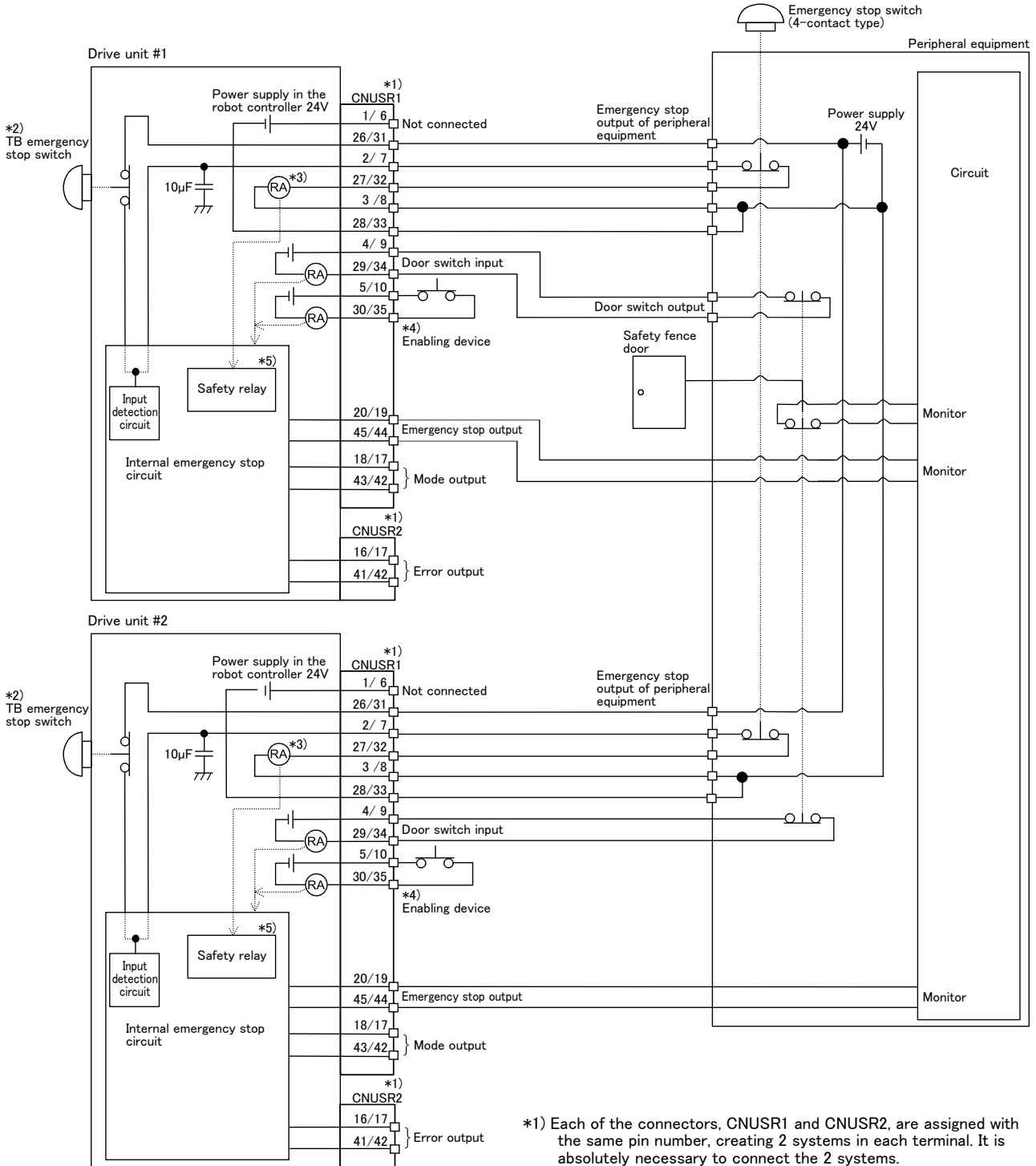
*6) Connect the 24V power supply to 26/31 terminals.

Fig.6-7 : Example of safety measures (CR751 wiring example 2)

<Wiring example 4>: Connect the emergency stop switch of peripheral equipment, and the door switch to two drive units, and it interlocks. Connect the enabling device to the robot controller. The power supply for emergency stop input uses the power supply of peripheral equipment. Monitor the emergency stop state by the peripheral equipment side.

<Operation of the emergency stop>

If the emergency stop switch of peripheral equipment is pushed, the robot will also be in the emergency stop state. And, if the emergency stop switch of OP or T/B is pushed in the state of the power of drive unit OFF, peripheral equipment state can be the emergency stop also.

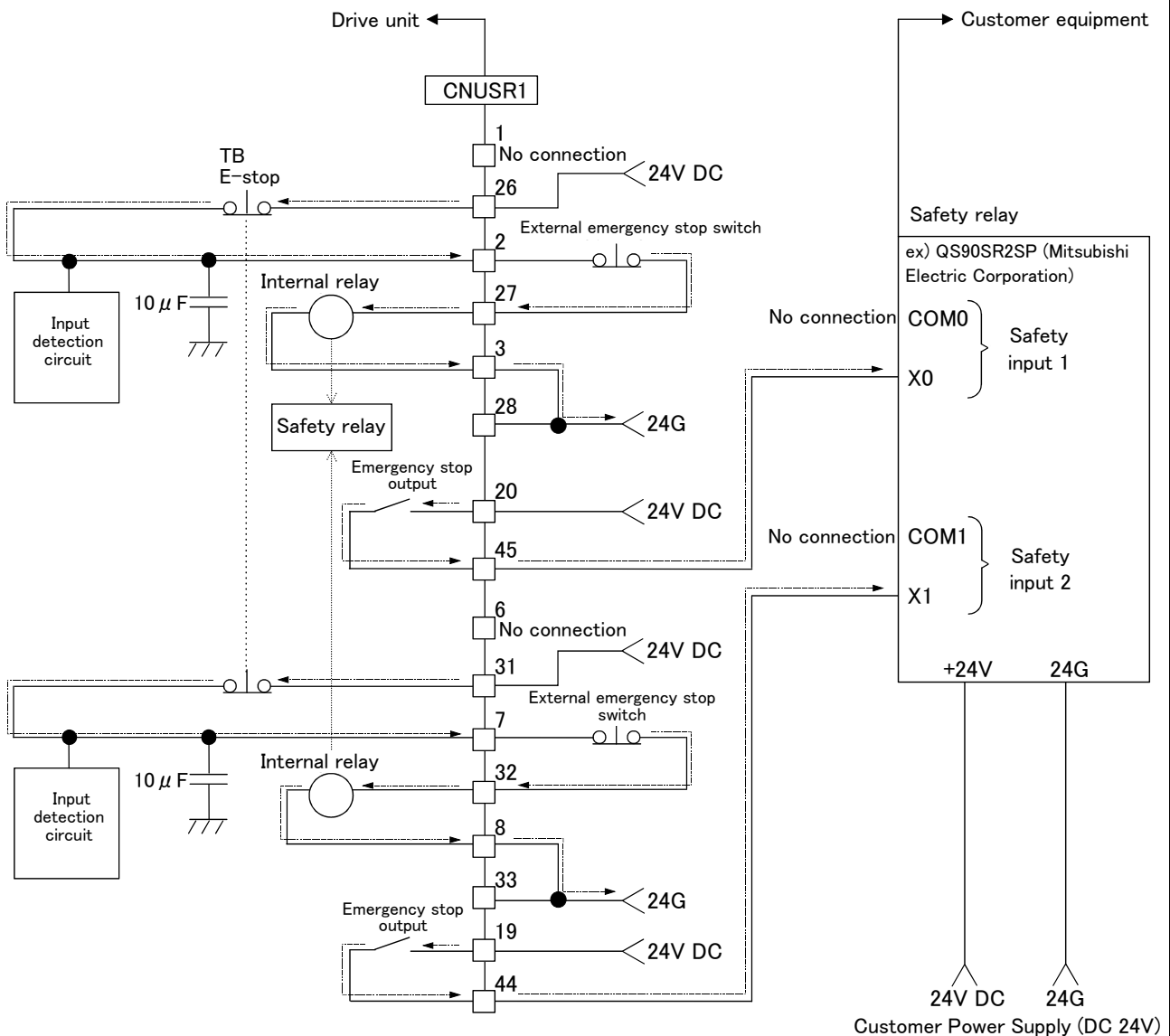


- *1) Each of the connectors, CNUSR1 and CNUSR2, are assigned with the same pin number, creating 2 systems in each terminal. It is absolutely necessary to connect the 2 systems.
If necessary to stop two robots simultaneously by one emergency stop switch please use the 4 contact type emergency stop switch.
- *2) The T/B emergency stop switch connected with the drive unit.

- *3) Emergency stop input relay.
- *4) Refer to the Standard specification manual or the Special specification manual for the enabling device.
- *5) The emergency stop input detection relay uses the drive unit's internal safety relay control. If the emergency stop input detection relay is switched OFF, emergency stop is detected and the safety relay is also switched OFF.

Fig.6-9 : Example of safety measures (CR751 wiring example 4)

<Wiring example 5>: Connect the drive unit to the safety relay
 Use the drive unit's emergency stop switch to input safety relay.



[Caution]

- 1) This product has category 3 functionality and therefore the robot's whole unit cannot be set to category 4.
- 2) The drive unit's internal circuit has polarity. Please adhere to the polarity as detailed in the wiring examples, particularly for emergency stop switch output when using user equipment. Connect the positive side of the user equipment (24V DC) to the two terminals 26/31, then connect the emergency stop switch (or contact points) in the user equipment to the 2-27 and 7-32 terminals, and ultimately connect to the negative side (24G).
- 3) Setup a safety relay on the user equipment, and when using to input the emergency stop switch on the drive unit, please only use a safety relay that functions when connecting the input to the one end of the 2 systems (i.e. QS90SR2SP (Manufacture: Mitsubishi Electric Corporation)).
- 4) The emergency stop input detection relay (internal relay) uses the drive unit's internal safety relay control. If the emergency stop input detection relay is switched OFF, emergency stop is detected and the safety relay is also switched OFF.
- 5) When connecting emergency stop switch output to an exterior safety relay, please take note of the polarity and make sure that the electrical current flows in the same direction as indicated by the dotted arrows in the two places in the diagram. If the polarity is setup incorrectly this function will not operate correctly. Please connect 20/19 terminal to 24V.

Fig.6-10 : Example of safety measures (CR751 wiring example 5)

(3) External emergency stop connection [supplementary explanation]

- (1) Use a 2-contact type switch for all switches.
- (2) Install a limit switch on the safety fence's door. With a constantly open contact (normal open), wire to the door switch input terminal so that the switch turns ON (is conducted) when the door is closed, and turns OFF (is opened) when the door is open.
- (3) Use a manual-return type of normal close which have two lines for the emergency stop switch.
- (4) Classify the faults into minor faults (faults that are easily restored and that do not have a great effect) and major faults (faults that cause the entire system to stop immediately, and that require care in restoration), and wire accordingly.

[Caution] The emergency stop input (terminal block) on the user wiring in the drive unit can be used for safety measures as shown in figure above. Note that there are limits to the No. of switch contacts, capacity and cable length, so refer to the following and install.

- Switch contactPrepare a 2-contact type.*1)
- Switch contact capacity.....Use a normal open contact that operates with a switch contact capacity of approx. 1mA to 100mA/24V. *1)

If you connect the relay etc., rated current of the coil should use the relay which is 100mA/24V or less. (Refer to [Fig. 6-12](#), [Fig. 6-11](#))

- Cable length.....The length of the wire between the switch and terminal block must be max. 15m or less. Please use the shield line, in case of the cable may receive the noise etc. by other equipment, such as servo amplifier. And, since the ferrite core is attached as noise measures parts, please utilize.

The size of the wire that fits to use is shown below.

- CR750 drive unit..... CNUSR11/12/13 connector:
AWG #26 to #16 (0.14mm² to 1.5mm²)
- CR750 drive unit..... CNUSR2 connector:
AWG #30 to #24 (0.05mm² to 0.2mm²)
- CR751 drive unit..... CNUSR1/2 connector:
AWG #30 to #24 (0.05mm² to 0.2mm²)

Electric specification of the emergency stop related output circuit is 100mA/24V or less. Don't connect the equipment except for this range.

*1) The minimum load electric current of the switch is more than 5mA/24V.

The electric-current value limitation when connecting the coils, such as the Relays (CR750 drive unit)

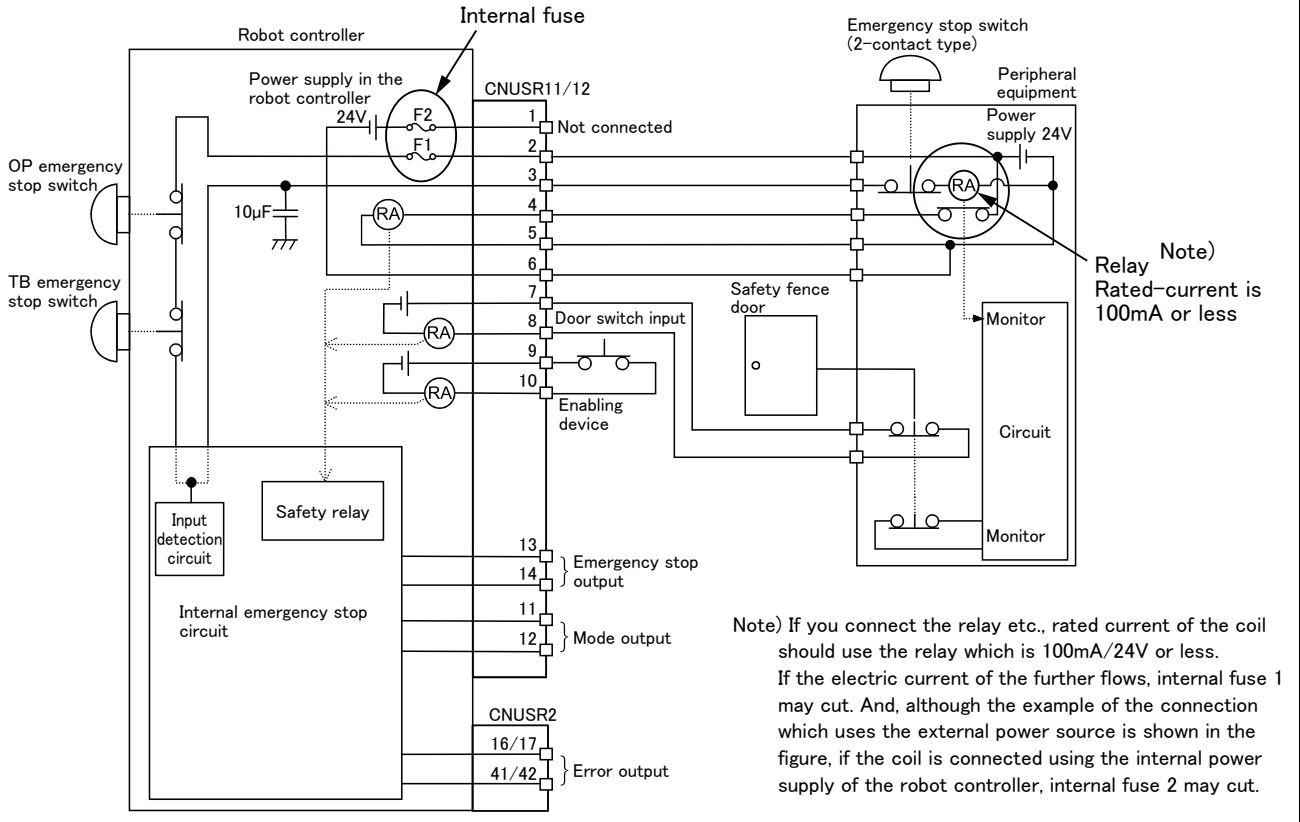


Fig.6-11 : Limitations when connecting the relay etc. (CR750)

The electric-current value limitation when connecting the coils, such as the Relays (CR751 drive unit)

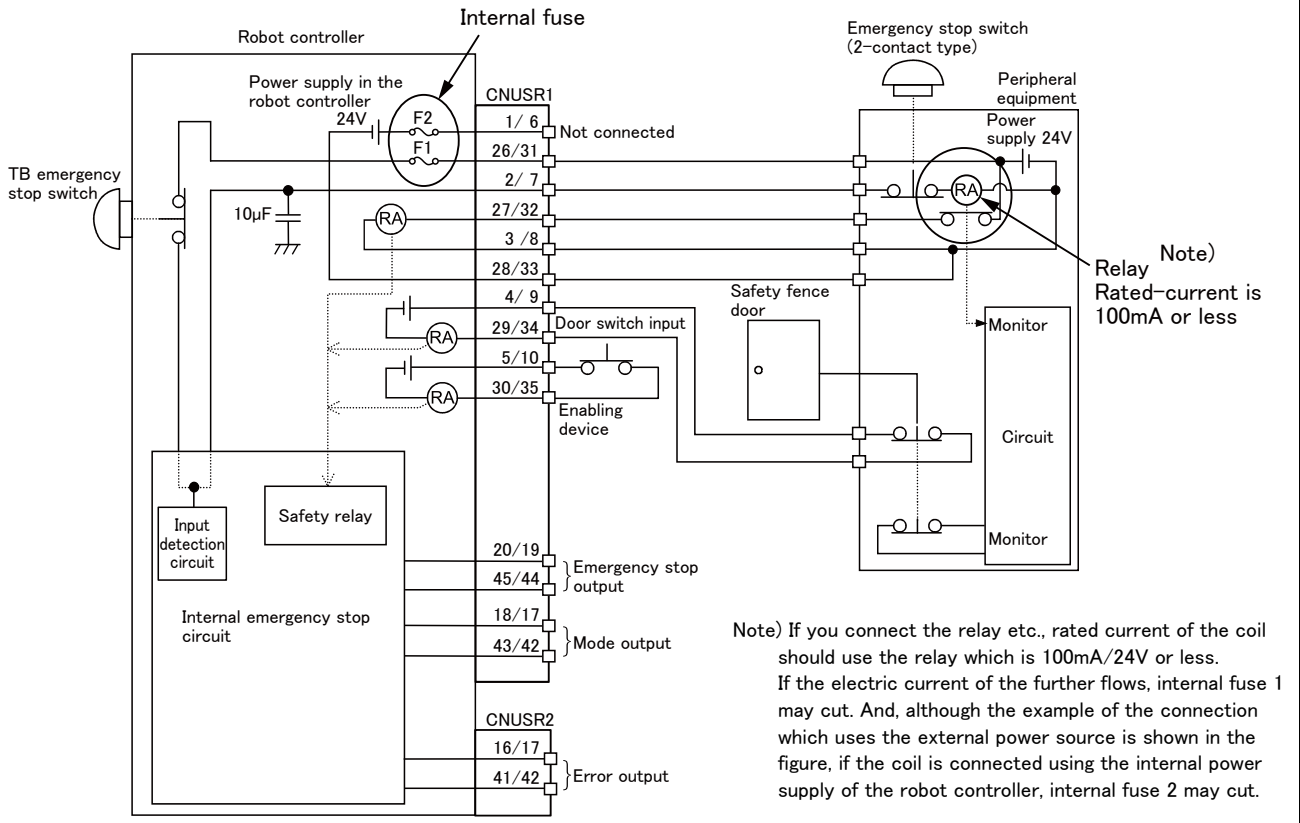


Fig.6-12 : Limitations when connecting the relay etc. (CR751)

[Supplementary explanation regarding emergency stop circuit]

The drive unit's internal circuit is as shown in the below diagram. Be sure to build a circuit that properly shuts off the emergency stop detection relay when the emergency stop switch is pressed.

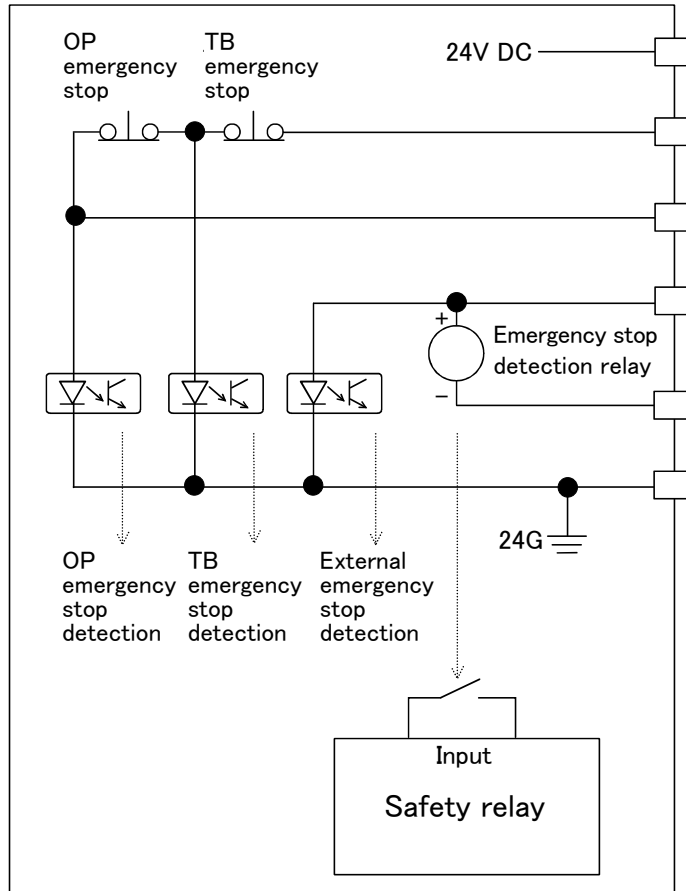


Fig.6-13 : Internal circuit of controller

⚠ CAUTION

Be sure to perform wiring correctly. If there are mistakes in the wiring, the robot may not stop when the emergency stop switch is pressed and there will be a risk of damage or personal injury occurring.

After wiring, be sure to press each of the installed emergency stop switches and check whether the emergency stop circuit works properly.

⚠ CAUTION

Be sure to duplicate connection of the emergency stop, door switch and enabling switch. If not duplicated, these functions may fail due to a broken relay used by customer, etc.

6.2 Working environment

Avoid installation in the following places as the equipment's life and operation will be affected by the ambient environment conditions. When using in the following conditions, the customer must pay special attention to the preventive measures.

(1) Power supply

- Where the voltage fluctuation will exceed the input voltage range.
- Where a momentary power failure exceeding 20ms may occur.
- Where the power capacity cannot be sufficiently secured.

CAUTION

Please use the controller with an input power supply voltage fluctuation rate of 10% or less. In the case of 200 VAC input, for example, if the controller is used with 180 VAC during the day and 220 VAC during the night, turn the servo off once and then on again. If this is not performed, an excessive regeneration or overvoltage error may occur.

(2) Noise

- Where a surge voltage exceeding 2000V, 5kHz (equivalent to EN61000-4-4) may be applied on the primary voltage. Near large inverters, high output frequency oscillator, large contactors and welding machines. Static noise may enter the lines when this product is used near radios or televisions. Keep the robot away from these items.

(3) Temperature and humidity

- Where the atmospheric temperature exceeds 40 degree , lower than 0 degree.
- Where the relative humidity exceeds 85%, lower than 45%, and where dew may condense.
- Where the robot will be subject to direct sunlight or near heat generating sources such as heaters.

(4) Vibration

- Where excessive vibration or impact may be applied. (Use in an environment of 34m/s^2 or less during transportation and 5m/s^2 or less during operation.)

(5) Installation environment

- Where strong electric fields or magnetic fields are generated.
- Where the installation surface is rough. (Avoid installing the robot on a bumpy or inclined floor.)
- Where there is heavy powder dust and oil mist present.

6.3 Precautions for handling

- (1) RV-2F series robot has brakes on J2, J3 and J5 axes. And RV-2FB series robot has brakes on all axes. The precision of the robot may drop, looseness may occur and the reduction gears may be damaged if the robot is moved with force with the brakes applied. Moreover, when the axis without the brake is servo-off, take care to falling by the self-weight.
- (2) Avoid moving the robot arm by hand. When unavoidable, gradually move the arm. If moved suddenly, the accuracy may drop due to an excessive backlash, or the backed up data may be destroyed.
- (3) Note that depending on the posture, even when within the movement range, the wrist section could interfere with the base section. Take care to prevent interference during jog. ^{*1)}
- (4) The robot arm consists of precision parts such as bearing. Lubricants such as grease are also applied on the moving parts to keep the mechanical accuracy. In a cold start under low temperature or in the first start after being stored for one month or longer, lubricants may not be spread enough. Such condition may lower the positioning accuracy, cause servo and overload alarms, and early wearing of the moving parts. To avoid such situation, perform warm-up operation of the machine at a low speed (at about 20% of normal operation speed). Move the robot arm from the lower to the upper limit of the movable range with the 30 degree joint angle or more for about 10 minutes. After that, speed up the operation gradually.
Please use the warm-up operation. (About the details of the warm-up operation, refer to "INSTRUCTION MANUAL/Detailed explanations of functions and operations".)

*1) Jog operation refers to operating the robot manually using the teaching pendant.

- (5) The robot arm and controller must be grounded with $100\ \Omega$ or less (class D grounding) to secure the noise resistance and to prevent electric shocks.
- (6) The items described in these specifications are conditions for carrying out the periodic maintenance and inspections described in the instruction manual.
- (7) When using the robot arm on a mobile axis or elevating table, the machine cables enclosed as standard configuration may break due to the fixed installation specifications. In this case, use "the machine cable extension (for flexed)" factory shipment special specifications or options.
- (8) If this robot interferes with the workpiece or peripheral devices during operation, the position may deviate, etc. Take care to prevent interference with the workpiece or peripheral devices during operation.
- (9) Do not attach a tape or a label to the robot arm and the controller. If a tape or a label with strong adhesive power, such as a packaging tape, is attached to the coated surfaces of the robot arm and controller, the coated surface may be damaged when such tape or label is peeled off.
- (10) If the robot is operated with a heavy load and at a high speed, the surface of the robot arm gets very hot. It would not result in burns, however, it may cause secondary accidents if touched carelessly.
- (11) Do not shut down the input power supply to stop the robot. If the power supply is frequently shut down during a heavy load or high-speed operation, the speed reducer may be damaged, backlash may occur, and the program data may be destroyed.
- (12) During the robot's automatic operation, a break is applied to the robot arm when the input power supply is shut down by a power failure, for instance. When a break is applied, the arm may deviate from the operation path predetermined by automatic operation and, as a result, it may interfere with the mechanical stopper depending on the operation at shutdown. In such a case, take an appropriate measure in advance to prevent any dangerous situation from occurring due to the interference between the arm and peripheral devices.
Example) Installing a UPS (uninterruptible power supply unit) to the primary power source in order to reduce interference.
- (13) Do not conduct an insulated voltage test. If conducted by mistake, it may result in a breakdown.
- (14) When the sequencer system becomes large too much, the robot's locus may deteriorate uncommonly. If this phenomenon occurs, inform to the dealer. And, when it turns out that the system is enlarged in advance, please inform our company.
- (15) Fretting may occur on the axis which moving angle or moving distance move minutely, or not moves. Fretting is that the required oil film becomes hard to be formed if the moving angle is small, and wear occurs. The axis which not moved is moving slightly by vibration etc. To make no fretting recommends to move these axes about once every day the 30 degree or more, or the 20mm or more.
- (16) The United Nations' Recommendations on the Transport of Dangerous Goods must be observed for trans-border transportation of lithium batteries by air, sea, and land. The lithium batteries (ER6V, Q6BAT) used in Mitsubishi industrial robots contain lithium and fall under the definition.
When the lithium batteries are shipped for storage, etc., they will be classified as Class 9: Miscellaneous dangerous substances and articles. Please contact your transportation company and must provide appropriate transport safety measures as the customer's consignor.
- (17) If the air supply temperature (primary piping) used for the tool etc. is lower than ambient air temperature, the dew condensation may occur on the coupling or the hose surface.
- (18) When fumigants that contain halogen materials such as fluorine, chlorine, bromine, and iodine are used for disinfecting and protecting wooden packaging from insects, they cause malfunction when entering our products. Please take necessary precautions to ensure that remaining materials from fumigant do not enter our products, or treat packaging with methods other than fumigation (heat method). Additionally, disinfect and protect wood from insects before packing products.

6.4 EMC installation guideline

6.4.1 Outlines

Industrial robots are one of the components of automation systems as well as main components. This section introduces methods and parts to ensure electromagnetic compatibility (EMC) in automation systems.

We test for EMC in the environment described in this manual, but the noise level varies depending on device types, layout, control panel structure, and wiring, etc. Please make final checks for EMC.

6.4.2 EMC

This technical standard regulates the following two items.

- (1) Emission (EMI : Electromagnetic Interference) The capacity not to generate the disturbance noise which has a bad influence outside.
- (2) Immunity (EMS : Electromagnetic Susceptibility)..... The capacity which does not malfunction for the disturbance noise from the outside.

Each contents are shown below.

Item	Name	Contents	Testing technical-standard number
Emission (EMI)	Radiative noise disturbance	The electromagnetic noise etc. which are emitted to environs.	EN61000-6-2 : 2005 EN61000-6-4 : 2007 EN62061:2005(Annex E)
	Electrical-conduction noise disturbance	The electromagnetism noise etc. which flow out of the power-supply line.	
Immunity (EMS)	Electrostatic discharge immunity test	The noise from the electrified human body.	
	Radiated, radio-frequency, electromagnetic field immunity test susceptibility test	The electromagnetism noise from the transceiver, the broadcasting station, etc.	
	Electrical fast transient burst immunity test	The relay noise or the electromagnetism noise etc. which are caused in power-supply ON/OFF.	
	Immunity to conducted distrurbances induced radio-frequency fields	The electromagnetism noise etc. which flow in through the power source wire and the grounding wire.	
	Power frequency magnetic field immunity test	The electromagnetism noise with a power supply frequency of 50/60 Hz etc.	
	Voltage dips, short interruptions and voltage variations immunity test	The noise in the variation of the source voltage of the power dispatching, etc.	
	Surge immunity test	The electromagnetism noise by the thunderbolt, etc.	

6.4.3 EMC measures

There are mainly following items in the EMC measures.

- (1) Store into the sealed metal board.
- (2) Grounding all the conductor that have floated electrically (makes the impedance low).
- (3) Wiring so that the power source wire and signal wire are separated.
- (4) Use the shield cable for the cable which wired outside of the metal board.
- (5) Install the noise filter.

To suppress the noise emitted out of the board, be careful of the following item.

- (1) Ensure grounding of the equipment.
- (2) Use the shield cable.
- (3) Separate the metal board electrically. Narrows the distance/hole.

The strength of electromagnetic noise emitted to environment is changed a lot by the shielding efficiency of cable and the distance of metal board, so it should be careful.

6.4.4 Component parts for EMC measures

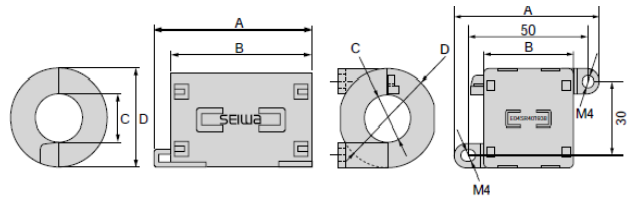
(1) Ferrite core

The ferrite core is mounted by the plastics case as one. It can attach by the one-touch, without cutting the cable. This has the effect in the common-mode noise. The measures against the noise are made not influential in the quality of the signal.

There are the following as an example.

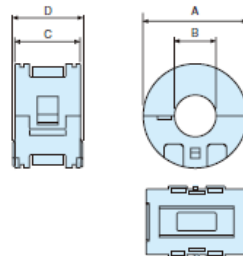
Maker: SEIWA ELECTRIC MFG. Co.,Ltd.

Type	Outside dimension (mm)				Diameter of the adaptation cable [max] (mm)
	A	B	C	D	
E04SR401938	61	38	19	40	19.0
E04SR301334	39	34	13	30	13.0



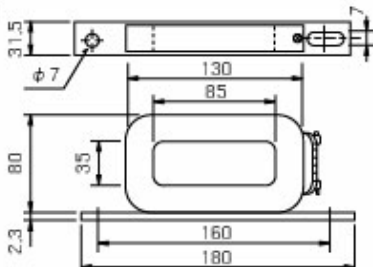
Maker: TAKACHI ELECTRONICS ENCLOSURE CO., LTD.

Type	Outside dimension (mm)				Diameter of the adaptation cable [max] (mm)
	A	B	C	D	
TFT-274015S	43.8	27.4	20.7	-	φ 26.5



(2) Line noise filter

Type : FR-BLF (Mitsubishi Electric Corp.)



7 Appendix

Appendix 1 : Classification of functions using external input/output signals

Before using the functions, note the following.

Table 7-1 : Classification of functions using external input/output signals

Classification	Function	Description
Safety signal	Emergency stop input	Detects emergency stop inputs. This function meets the requirements of category 3 and PL d.
	Door switch input	Receives the status of the switch installed on the door of the safety fence to detect the opening of the door.
	Enabling device input	This function checks the state of the switch on the enabling device.
Non-safety signal	Mode changeover switch input	Switches the controller mode between MANUAL and AUTOMATIC.
	Emergency stop output	Monitors whether the robot is in the emergency stop state.
	Mode output	Monitors whether the robot operates in MANUAL or AUTOMATIC mode.
	Robot error output	Monitors the error status of the robot.
	Magnet contactor control connector output for addition axes	Synchronizes the state of the additional axes (servo ON/OFF) with that of the robot arm. For details, refer to Page 82, "3.9 Magnet contactor control connector output (AXMC) for addition axes" .

Appendix 2 : Specifications discussion material

■ Customer information

Company name		Name	
Address		Telephone	

■ Purchased model

Item	Type ^{Note1)}				Controller
Standard specification	<input type="checkbox"/> RV-2F-Q	<input type="checkbox"/> RV-2FL-Q	<input type="checkbox"/> RV-2FB-Q	<input type="checkbox"/> RV-2FLB-Q	CR750-02VQ-1
	<input type="checkbox"/> RV-2F-1Q	<input type="checkbox"/> RV-2FL-1Q	<input type="checkbox"/> RV-2FB-1Q	<input type="checkbox"/> RV-2FLB-1Q	CR751-02VQ-0

Note1) Refer to the [Page 2, "1.2 Model type name of robot"](#) for the details of the robot arm type name.

■ Shipping special specifications

Item		Standard specification	Special shipping specifications
Robot arm	CE Marking specification ^{Note1)}	Not conforming with EMC directive.	<input type="checkbox"/> Not provided <input type="checkbox"/> -S15
Controller	Robot CPU unit connecting cable set ^{Note2)}	<input type="checkbox"/> 10m	<input type="checkbox"/> Not provided <input type="checkbox"/> 5m <input type="checkbox"/> 20m <input type="checkbox"/> 30m: 2Q-RC-CBL <input type="checkbox"/> M

Note1) The brake is attached to all axes for CE Marking specification.

Note2) The four type cables shown in below are contained. (Each cable length is the same.)

1)2Q-TUCBL M, 2)2Q-DISPCBL M, 3)2Q-EMICBL M,

4)MR-J3BUS M-A (5m, 20m) or MR-J3BUS M-B (30m)

■ Options (Installable after shipment)

Item		Type	Provision, and specifications when provided.
Robot arm	Stopper for changing the operating range	1S-DH-11J1	<input type="checkbox"/> Not provided <input type="checkbox"/> Provided
		1S-DH-11J2	<input type="checkbox"/> Not provided <input type="checkbox"/> Provided
		1S-DH-11J3	<input type="checkbox"/> Not provided <input type="checkbox"/> Provided
	Machine cable extension (For CR750, standard specification)	1S- <input type="checkbox"/> CBL-11	Fixed type: <input type="checkbox"/> Not provide <input type="checkbox"/> 10m <input type="checkbox"/> 15m
		1S- <input type="checkbox"/> LCBL-11	Flexed type: <input type="checkbox"/> Not provide <input type="checkbox"/> 5m <input type="checkbox"/> 10m <input type="checkbox"/> 15m
	Machine cable extension (For CR750, CE Marking specification)	1S- <input type="checkbox"/> CBL-03	Fixed type: <input type="checkbox"/> Not provide <input type="checkbox"/> 10m <input type="checkbox"/> 15m
		1S- <input type="checkbox"/> LCBL-03	Flexed type: <input type="checkbox"/> Not provide <input type="checkbox"/> 5m <input type="checkbox"/> 10m <input type="checkbox"/> 15m
	Machine cable extension (For CR751)	1F- <input type="checkbox"/> UCBL-11	Fixed type: <input type="checkbox"/> Not provide <input type="checkbox"/> 10m <input type="checkbox"/> 15m
		1F- <input type="checkbox"/> LUCBL-11	Flexed type: <input type="checkbox"/> Not provide <input type="checkbox"/> 5m <input type="checkbox"/> 10m <input type="checkbox"/> 15m
	Solenoid valve set	1E-VD0 <input type="checkbox"/> 1E-VD0 <input type="checkbox"/> E	<input type="checkbox"/> Not provide 1E-VD0 <input type="checkbox"/> (Sink type): <input type="checkbox"/> 1set <input type="checkbox"/> 2set <input type="checkbox"/> 3set <input type="checkbox"/> 4set 1E-VD0 <input type="checkbox"/> E (Source type): <input type="checkbox"/> 1set <input type="checkbox"/> 2set <input type="checkbox"/> 3set <input type="checkbox"/> 4set
Hand input cable	1S-HC30C-11	<input type="checkbox"/> Not provided <input type="checkbox"/> Provided	
Hand output cable	1E-GR35S	<input type="checkbox"/> Not provided <input type="checkbox"/> Provided	
Hand curl tube	1E-ST040 <input type="checkbox"/> C	<input type="checkbox"/> Not provided <input type="checkbox"/> 1set <input type="checkbox"/> 2set	
Controller	Simple teaching pendant	R32TB- <input type="checkbox"/> <input type="checkbox"/>	<input type="checkbox"/> Not provided R32TB (CR750 drive unit): <input type="checkbox"/> 7m <input type="checkbox"/> 15m
		R33TB- <input type="checkbox"/> <input type="checkbox"/>	R33TB (CR751 drive unit): <input type="checkbox"/> 7m <input type="checkbox"/> 15m
	Highly efficient teaching pendant	R56TB- <input type="checkbox"/> <input type="checkbox"/>	<input type="checkbox"/> Not provided R56TB (CR750 drive unit): <input type="checkbox"/> 7m <input type="checkbox"/> 15m
		R57TB- <input type="checkbox"/> <input type="checkbox"/>	R57TB (CR751 drive unit): <input type="checkbox"/> 7m <input type="checkbox"/> 15m
	RT ToolBox2	3D-11C-WINE	<input type="checkbox"/> Not provided <input type="checkbox"/> Windows XP/Vista/7/8/8.1/10 English CD-ROM
	RT ToolBox2 mini	3D-12C-WINE	<input type="checkbox"/> Not provided <input type="checkbox"/> Windows XP/Vista/7/8/8.1/10 English CD-ROM
MELFA-3D Vision 3.0	3F-53U-WINM	<input type="checkbox"/> Not provided <input type="checkbox"/> Provided	
Instructions manual	5F-RE01-PE01	<input type="checkbox"/> Not provided <input type="checkbox"/> Provided () sets	

■ Maintenance parts (Consumable parts)

Maintenance parts	<input type="checkbox"/> Backup batteries ER6V () pcs. <input type="checkbox"/> Backup batteries Q6BAT () pcs. <input type="checkbox"/> Grease () cans
-------------------	---

■ Robot selection check list

Work description	<input type="checkbox"/> Material handling <input type="checkbox"/> Assembly <input type="checkbox"/> Machining L/UL <input type="checkbox"/> Sealing <input type="checkbox"/> Testing and inspection <input type="checkbox"/> Other ()
Workpiece mass () g	Hand mass () g Atmosphere <input type="checkbox"/> General environment <input type="checkbox"/> Other ()
Remarks	



Product Service

EC-Statement of Compliance

No. E6 15 02 25554 053

Holder of Certificate: Mitsubishi Electric CorporationTokyo BILD., 2-7-3 Marunouchi,
Chiyoda-ku
Tokyo
100-8310 JAPAN**Name of Object:** Industrial, Scientific and Medical
equipment
Industrial Robot**Model(s):** F series
(See Attachment for Nomenclature)**Description of Object:** Rated Voltage: 230 VAC
Rated Power: 1.7 kW
Protection Class: I**Tested according to:** EN 61000-6-4/A1:2011
EN 61000-6-2:2005

This EC-Statement of Compliance is issued according to the Directive 2004/108/EC relating to electromagnetic compatibility. It confirms that the listed apparatus complies with such aspects of the essential requirements of the EMC directive as specified by the manufacturer or his authorized representative in the European Community and applies only to the sample and its technical documentation submitted to TÜV SÜD Product Service GmbH for testing and certification. See also notes overleaf.

Technical report no.: 73552066**Date,** 2015-02-10

(Johann Roidt)



TÜV SÜD Product Service GmbH is Notified Body to the Directive 2004/108/EC of the European Parliament and of the council with the identification number 0123.

Page 1 of 8

Attachment

Statement No.

E6 15 02 25554 053



Product Service

A: Model name of **F** series Robot description is shown as follows.

A1:RH-3FH,RH6FH,RH-2FH series 1.7kW

RH-x FH xx xx x - x x x-Sxx

(1) (2) (3) (4) (5) (6) (7) (8) (9) (10) (11)

(1)**RH**: Horizontal Robot

(2) Maximum Payload specification:

3 : 3kg **2** : 2kg

6 : 6kg

(3) **F** : **F** series robot

(4)**H** :4 joints

(5) Robot Arm length(No1 and No2 arm) specification:

35 : 350 mm arm **15** : 150 mm arm

45 : 450 mm arm

55 : 550 mm arm

(6) Z stroke length specification:

12 : 120 mm arm **25** : 250 mm arm

15 : 150 mm arm

20 : 200 mm arm

34 : 340 mm arm

(7) Dimension and Ambient specification:

M : Oil mist model(IP65)

C : Clean room model(ISO5)

[none] : Basic model(IP54)

(8) Type of Robot controller cabinet

[none] :CR750 controller

1 :CR751 controller

(9)Robot controller type:

D :Stand alone type

Q :iQ platform type

(10)Standard:

0: normal type

1:CE marking model

2:CE marking and UL model

(11)Optional Specification:

1 :normal type

SM :added cabinet box over Robot controller for oil mist resist

Sxx :Mechanical option

Attachment

Statement No.

E6 15 02 25554 053



Product Service

A2:RH-12FH,RH-20FHseries 1.7kW

RH-x FH xx xx x - x x x-Sxx

(1) (2) (3) (4) (5) (6) (7) (8) (9) (10) (11)

(1)RH: Horizontal Robot

(2) Maximum Payload specification:

12 : 12kg

20 : 20kg

(3) **F** : **F** series robot

(4)**H** :4 joints

(5) Robot Arm length(No1 and No2 arm) specification:

55 : 550 mm arm

70 : 700 mm arm

85 : 850 mm arm

100 : 1000 mm arm

(6) Z stroke length specification:

35 : 350 mm arm

45 : 450 mm arm

(7) Dimension and Ambient specification:

M : Oil mist model(IP65)

C : Clean room model(ISO3)

N : Special spec. For EU(IP54)

[none]: Basic model(IP20)

(8) Type of Robot controller cabinet

[none] :CR750 controller

1 :CR751 controller

(9)Robot controller type:

D :Stand alone type

Q :iQ platform type

(10)Standard:

0: normal type

1:CE marking model

2:CE marking and UL model

(11)Optional Specification:

1 :normal type

SM :added cabinet box over Robot controller for oil mist resist

Sxx :Mechanical option

Attachment

Statement No.

E6 15 02 25554 053



Product Service

A3:RV-2Fseries 1.7kW

RV-x F x x - x x x-Sxx

(1) (2) (3) (4)(5) (6)(7) (8) (9)

(1) **RV**: Vertical Robot

(2) Maximum Payload specification:

2 : 2kg

(3) **F** : **F** series robot

(4) Robot Joint type

B : All axes have brake units.

[none] : J4 axis doesn't have brake unit.

(5) Robot Arm length

L : Long Arm model

[none] : normal model

(6) Type of Robot controller cabinet

[none] : CR750 controller

1 : CR751 controller

(7) Robot controller type:

D : Stand alone type

Q : iQ platform type

(8) Standard:

0: normal type

1: CE marking model

2: CE marking and UL model

(9) Optional Specification:

1 : normal type

SM : added cabinet box over Robot controller for oil mist resist

Sxx : Mechanical option

Attachment

Statement No.

E6 15 02 25554 053



Product Service

A4:RV-4F,7Fseries 1.7kW

RV-x F x x x - x x x - Sxx

(1) (2) (3) (4)(5) (6) (7) (8) (9) (10)

(1) **RV**: Vertical Robot

(2) Maximum Payload specification:

4 : 4kg

7 : 7kg

(3) **F** : **F** series robot

(4) Robot axes:

J : 5 axes model

[none]: normal model

(5) Robot arm length:

L : Long arm model

[none]: normal model

(6) Dimension and Ambient specification:

M : Oil mist model(IP67)

C : Clean room model(ISO3)

[none] : Basic model(IP40)

(7) Type of Robot controller cabinet

[none] :CR750 controller

1 :CR751 controller

(8)Robot controller type:

D :Stand alone type

Q :iQ platform type

(9)Standard:

0: normal type

1:CE marking model

2:CE marking and UL model

(10)Optional Specification:

1 :normal type

SM :added cabinet box over Robot controller for oil mist resist

SH :Internal tube and wires are extended to J6 axis.

Sxx :Mechanical option

Attachment

Statement No.

E6 15 02 25554 053



Product Service

A5:RV-13F,20F,7FLLseries 1.7kW

RV-x F x x - x x x-Sxx

(1) (2) (3) (4) (5) (6) (7) (8) (9)

(1) **RV**: Vertical Robot

(2) Maximum Payload specification:

13 : 13kg **20** : 20kg

7 : 7kg

(3) **F** : **F** series robot

(4) Robot arm length:

L : Long arm model

LL : Long reach(1503mm) model (for onlyRV-7FLL series)

[none]: normal model

(5) Dimension and Ambient specification:

M : Oil mist model(IP67)

C : Clean room model(ISO3)

[none] : Basic model(IP40)

(6) Type of Robot controller cabinet

[none] : CR750 controller

1 : CR751 controller

(7) Robot controller type:

D : Stand alone type

Q : iQ platform type

(8) Standard:

0: normal type

1: CE marking model

2: CE marking and UL model

(9) Optional Specification:

1 : normal type

SM : added cabinet box over Robot controller for oil mist resist

SH : Internal tube and wires are extended to J6 axis.

Sxx : Mechanical option

Attachment

Statement No.

E6 15 02 25554 053



Product Service

A6:RH-1FHR,RH-3FHR series 1.7kW

RH-x F HR xx xx x - x x x-Sxx

(1) (2) (3) (4) (5) (6) (7) (8) (9) (10) (11)

(1) **RH**: Horizontal Robot

(2) Maximum Payload specification:

1 : 1kg

3 : 3kg

(3) **F** : **F** series robot

(4) **HR** : 4 joints ,reverse mount model

(5) Robot Arm length(No1 and No2 arm) specification:

35 : 350 mm arm **75** : 750 mm arm

55 : 550 mm arm

(6) Z stroke length specification:

12 : 120 mm arm

15 : 150 mm arm

(7) Dimension and Ambient specification:

W : Water proof model

M : Oil mist model

C : Clean room model(ISO5)

[none] : Basic model(IP54)

(8) Type of Robot controller cabinet

[none] : CR750 controller

1 : CR751 controller

(9) Robot controller type:

D : Stand alone type

Q : iQ platform type

(10) Standard:

0: normal type

1: CE marking model

2: CE marking and UL model

(11) Optional Specification:

1 : normal type

SM : added cabinet box over Robot controller for oil mist resist

Sxx : Mechanical option

Attachment

Statement No.

E6 15 02 25554 053

Product Service

B: Model name of **F** series Robot controller description is shown as follows.**CR750- xx x x x - x - x - Sxx**

(1) (2) (3) (4) (5) (6) (7) (8)

(1) **CR750**: CR750 controller**CR751**: CR751 controller

(2) Maximum Payload specification:

01 : 1kg**03** : 3kg**06** : 6kg**12** : 12kg**20** : 20kg**02** : 2kg**04** : 4kg**07** : 7kg**13** : 13kg

(3) Robot type

H : Horizontal robot**HR** : Horizontal robot(reverse mount)**V** : Vertical robot**VJ** : 5 axes Vertical robot**VL** : for only RV-7FLL series

(4) Robot controller type

D : stand alone**Q** : iQ platform type

(5) Standard

1 : CE marking model

2 : CE marking and UL model

(6) Operation Panel

[none] : No panel type

1 : Panel type

(7) Power input connector type

[none] : normal type

P2 : Added cable with a connector and a terminal

P3 : Added cable with a connector and a terminal block

(8) Optional Specification

[none] : normal

SM : Added Cabinet box over robot controller for oil mist resist

Sxx : mechanical option

사용자안내문 User's Guide

기종별 Type of Equipment	사용자안내문 User's Guide
<p>A 급 기기 (업무용 방송통신기자재)</p> <p>Class A Equipment (Industrial Broadcasting & Communication Equipment)</p>	<p>이 기기는 업무용(A 급) 전자파적합기기로서 판매자 또는 사용자는 이 점을 주의하시기 바라며, 가정외의 지역에서 사용하는 것을 목적으로 합니다.</p> <p>This equipment is Industrial (Class A) electromagnetic wave suitability equipment and seller or user should take notice of it, and this equipment is to be used in the places except for home.</p>
<p>B 급 기기 (가정용 방송통신기자재)</p> <p>Class B Equipment (For Home Use Broadcasting & Communication Equipment)</p>	<p>이 기기는 가정용(B 급) 전자파적합기기로서 주로 가정에서 사용하는 것을 목적으로 하며, 모든 지역에서 사용할 수 있습니다.</p> <p>This equipment is home use (Class B) electromagnetic wave suitability equipment and to be used mainly at home and it can be used in all areas.</p>

MITSUBISHI ELECTRIC CORPORATION

HEAD OFFICE: TOKYO BUILDING, 2-7-3, MARUNOUCHI, CHIYODA-KU, TOKYO 100-8310, JAPAN
NAGOYA WORKS: 5-1-14, YADA-MINAMI, HIGASHI-KU NAGOYA 461-8670, JAPAN

Authorised representative:

Mitsubishi Electric Europe B.V. FA - European Business Group
Mitsubishi-Electric-Platz 1, D-40882 Ratingen, Germany
Tel: +49(0)2102-4860