
Change of Packaging case specification for Energy Measuring Unit

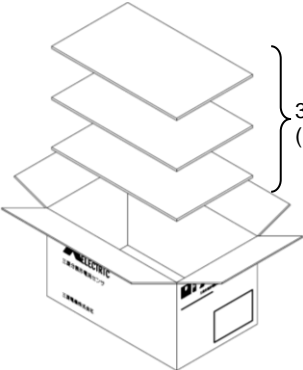
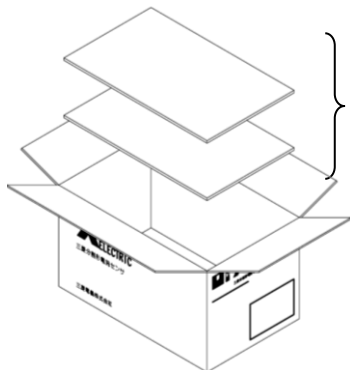
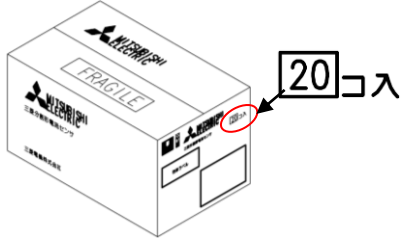


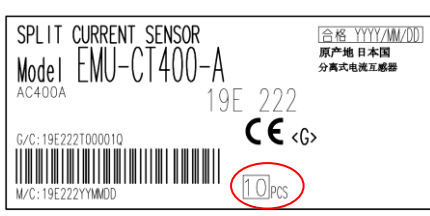
We would like to inform you that we will change of packaging case specification for Energy Measuring Unit. Please kindly refer follows.

1. Types

Product	Model name
Sprit-type current sensor	EMU-CT5-A
	EMU-CT50-A
	EMU-CT100-A
	EMU-CT250-A
	EMU-CT400-A
	EMU-CT600-A

2. Contents of changes

Change the number of attached pads from 3 pieces to 2 pieces.

Item	Before	After
Carton box specifications	 <p>3 attached pads (Upper, middle and lower)</p>	 <p>2 attached pads (Upper and lower)</p>
Carton box indication	 <p>20 個入</p>	 <p>Deletion of Quantity indication</p>
	<p>Please check the quantity on the packaging label.</p> <div style="display: flex; justify-content: space-around;"> <div style="text-align: center;"> <p>(1) EMU-CT5-A/50-A/100-A/250-A</p>  </div> <div style="text-align: center;"> <p>(2) EMU-CT400-A/600-A</p>  </div> </div>	

3. Reason of the changes

To improve productivity

4. Time of change

The change will start from production in September, 2019