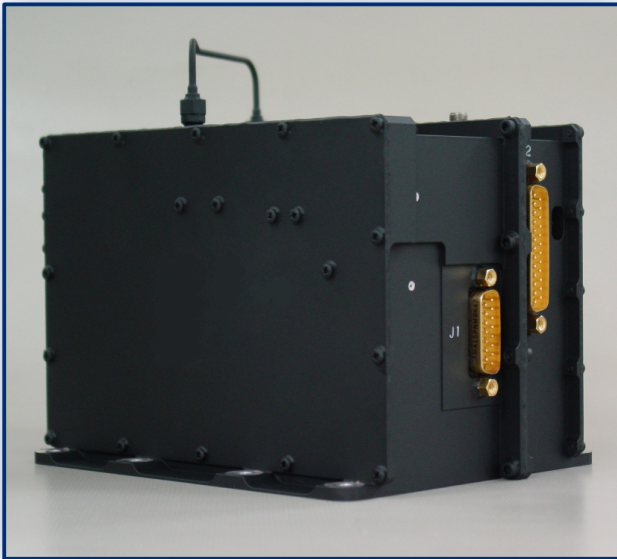


# C-Band Telemetry Transmitter (Single Freq.)



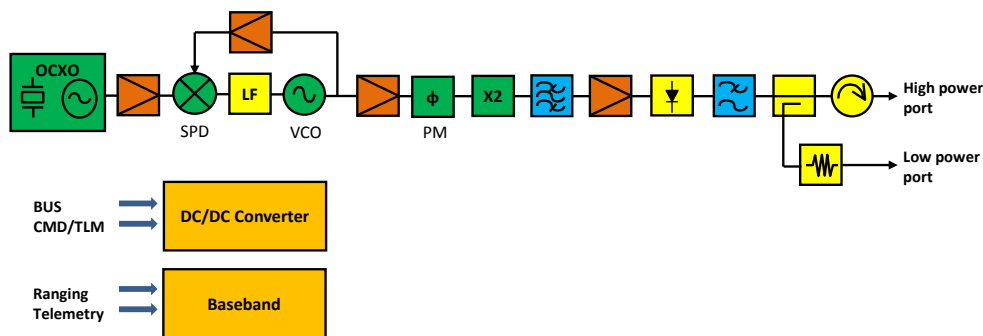
## Features

- ❖ Compact size and low mass
- ❖ High Frequency Stability using OCXO
- ❖ Low Phase Noise using PLL
- ❖ Adjustable to any bus, ranging and telemetry interfaces

## Heritage

- ❖ JCSAT
- ❖ Vinasat
- ❖ ST-2  
and more

## Block Diagram



## Main Performances

Operating Frequency Range	3.4 - 4.2 GHz
Output Power (High Power)	33 dBm typ.
(Low Power)	-8 dBm typ.
Frequency Stability at AT level	± 0.4 ppm
Frequency Stability over life	± 1.7 ppm
Spurious	< -60 dBc
Harmonics	< -60 dBc
Phase Jitter	< 0.3 deg. rms
Power Consumption	22 W nom.
Dimension (L x W x H)	160 x 120 x 140 mm
Mass	< 1.3 kg

\*Non contractual information. Subject to change without notice.

For further information please contact us at: [sales@east.melos.co.jp](mailto:sales@east.melos.co.jp) or by phone: +81-3-5719-8645