

Ku-Band Beacon Transmitter



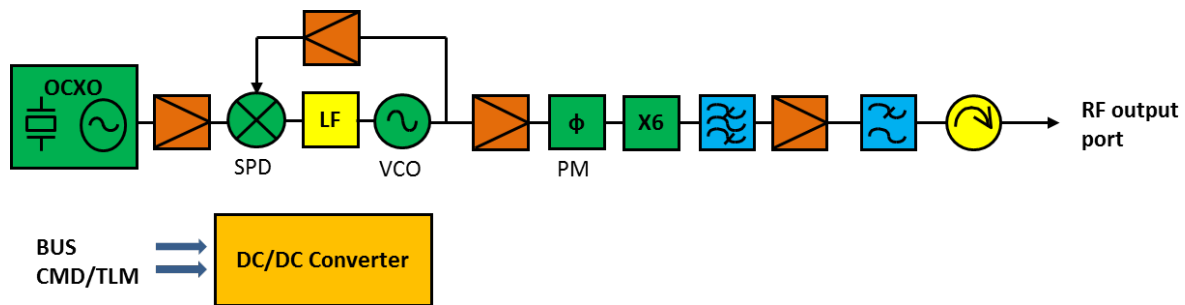
Features

- ❖ Compact size and low mass
- ❖ High Frequency Stability using OCXO
- ❖ Low Phase Noise using PLL
- ❖ Adjustable to any bus, ranging and telemetry interfaces
- ❖ High output power up to 10W available

Heritage

- ❖ Superbird
- ❖ Intelsat
- ❖ Turksat
- ❖ ABS
- and more

Block Diagram



Main Performances

| | |
|---------------------------------|-------------------|
| Operating Frequency Range | 10.7 - 12.75 GHz |
| Output Power | 28 dBm typ. |
| Frequency Stability at AT level | ± 0.4 ppm |
| Frequency Stability over life | ± 1.7 ppm |
| Spurious | < -60 dBc |
| Harmonics | < -30 dBc |
| Phase Noise | |
| 10 Hz | < -54 dBc |
| 100 Hz | < -74 dBc |
| 1 kHz | < -91 dBc |
| Power Consumption | 11 W nom. |
| Dimension (L x W x H) | 160 x 80 x 140 mm |
| Mass | < 1.0 kg |

*Non contractual information. Subject to change without notice.

For further information please contact us at: sales@east.melos.co.jp or by phone: +81-3-5719-8645