

# C-Band Low Noise Amplifier



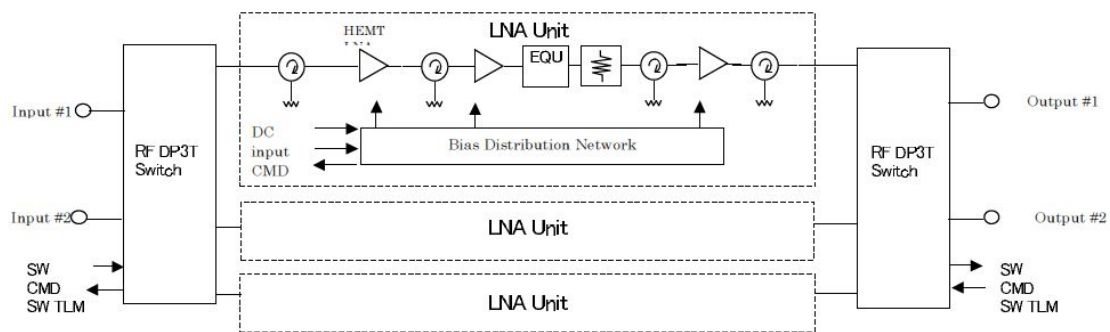
## Features

- ❖ 3/2 redundancy configuration with 3 LNA and 2 RF switches
- ❖ Low noise figure achieved by Mitsubishi HEMT
- ❖ High gain achieved by MELCO-original MMIC amplifiers

## Heritage

- ❖ Globalstar and more

## Block Diagram



## Main Performances

Operating Frequency Band	5 GHz
Noise Figure over temp.	2.2 dB
Gain	> 60 dB
Gain Stability over temp.	< 1.5 dB p-p
Input Power Level	-104 to -64 dBm
Overdrive Input Level for 24H	-45 dBm
C/3IM	> 50 dBc
Group Delay	< 5 nsec. p-p
Power Consumption	3.4 W
Dimension (L x W x H)	250 x 110 x 80 mm
Mass	< 1.3 kg

\*Non contractual information. Subject to change without notice.

For further information please contact us at: [sales@east.melos.co.jp](mailto:sales@east.melos.co.jp) or by phone: +81-3-5719-8645