

X-Band Low Noise Amplifier



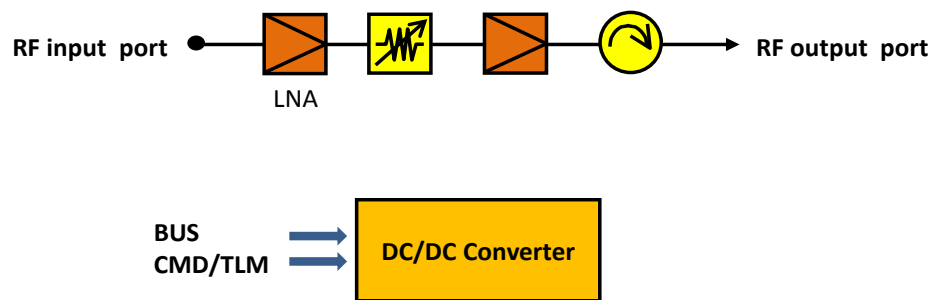
Features

- ❖ Compact size and low mass
- ❖ Extremely low noise figure using Mitsubishi HEMT
- ❖ Wide bandwidth
- ❖ L/S band available with X-band configuration
- ❖ Standalone & multi-pack configuration available

Heritage

- ❖ Superbird
- ❖ Turksat
and more

Block Diagram



Main Performances

Operating Frequency Range	7.25 - 7.75 GHz
Noise Figure	< 1.45 dB
Gain	> 47 dB
Input Power	-23 dBm
C/3IM	> 60 dBc
Power Consumption	3 W nom.
Dimension (L x W x H)	200 x 70 x 100 mm
Mass	< 0.9 kg

*Non contractual information. Subject to change without notice.

For further information please contact us at: sales@east.melos.co.jp or by phone: +81-3-5719-8645

MITSUBISHI ELECTRIC TOKKI SYSTEMS PROPRIETARY


**MITSUBISHI
ELECTRIC**
Changes for the Better