

Ka-Band Low Noise Amplifier



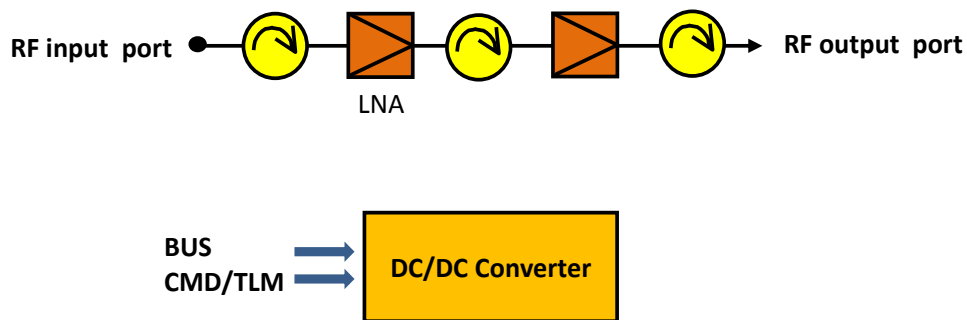
Features

- ❖ Compact size and low mass
- ❖ Extremely low noise figure using Mitsubishi HEMT
- ❖ Wide bandwidth
- ❖ L/S band available with X-band configuration
- ❖ Standalone & multi-pack configuration available

Heritage

- ❖ N-Star
- ❖ Optus
- ❖ Turksat
and more

Block Diagram



Main Performances

Operating Frequency Range	27.5 - 31 GHz
Noise Figure	< 2.1 dB
Gain	> 46 dB
Input Power	-45 dBm
C/3IM	> 55 dBc
DC Power Consumption	2 W nom.
Dimension (L x W x H)	160 x 60 x 100 mm
Mass	< 0.7 kg

*Non contractual information. Subject to change without notice.

For further information please contact us at: sales@east.melos.co.jp or by phone: +81-3-5719-8645