

# UHF to Ka-Band Up Converter



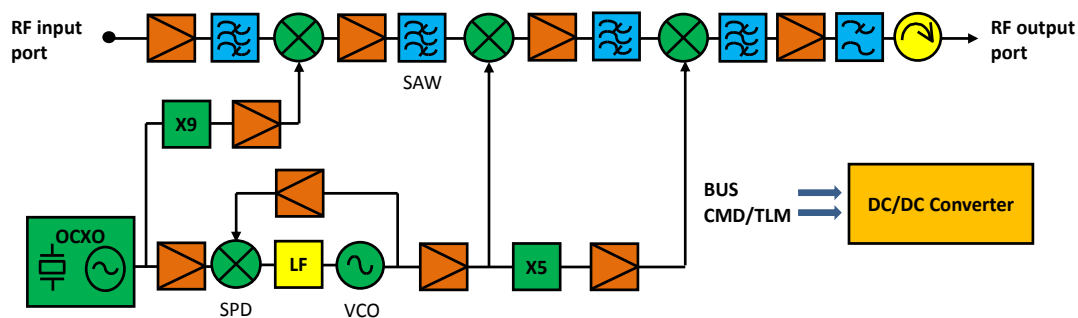
## Features

- ❖ Compact size and low mass
- ❖ Low noise figure and low phase noise
- ❖ High frequency stability using OCXO
- ❖ Outstanding spurious rejection
- ❖ Suitable for DCS purposes

## Heritage

- ❖ Domestic weather observation satellite and more

## Block Diagram



## Main Performances

Input Frequency	402 MHz
Output Frequency	18.4 GHz
Usable Bandwidth	400 kHz
Frequency Stability	$\pm 1.7$ ppm
Gain	> 43 dB
Gain Flatness	< 1 dB p-p in any 400 kHz
Input Level	-90 dBm
Noise Figure	< 2.5 dB
C/3IM	> 40 dBc
Power Consumption	10 W nom.
Dimension (L x W x H)	164 x 100 x 140 mm
Mass	< 1.3 kg

\*Non contractual information. Subject to change without notice.

For further information please contact us at: [sales@east.melos.co.jp](mailto:sales@east.melos.co.jp) or by phone: +81-3-5719-8645