

## TECHNICAL BULLETIN

**[Issue No.]** T12-0007

**[Page]** 1/3

**[Title]** Remedies for "HOLD Error" with Positioning Unit

**[Date of Issue]** Jan '00

**[Relevant Models]** AD71 (S1, S2, S7) /A1SD71-S2 (S7) /A0J2-D71

---

Thank you for your continued patronage of the Mitsubishi general-purpose PLC MELSEC-A Series. The remedies to be taken when the "HOLD error" occurs with the positioning units indicated above are explained in this document.

### Whereas

[Details]

### [Symptom]

When the power for the positioning unit is turned ON, the "HOLD error" occurs (HOLD LED on front of unit lights, error code: 51), and the state cannot be restored even when reset \*.

\*: Reset by turning power OFF and ON or resetting using PLC CPU key switch.

### [Cause]

The "HOLD error" is caused by one of the following factors.

Cause 1: The buffer memory has not been "all-cleared" after the unit was purchased.

Cause 2: The battery voltage is low (the battery is completely discharged), or the battery is not connected to the positioning unit.



**MITSUBISHI ELECTRIC CORPORATION**

HEAD OFFICE MITSUBISHI DENKI BLDG. MARUNOUCHI. TOKYO 100-0005. TELEX J24532 CABLE MELCO TOKYO

**[Issue No.]** T12-0007

**[Page]** 2/3

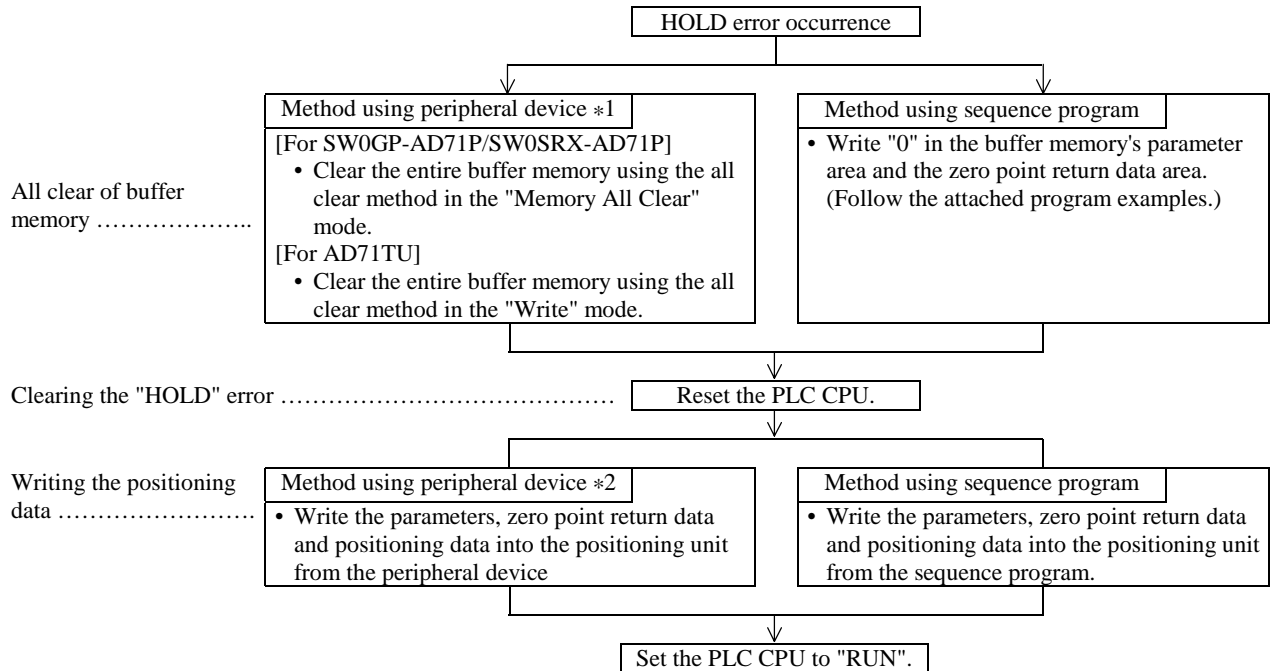
**[Title]** Remedies for "HOLD Error" with Positioning Unit

**[Date of Issue]** Jan '00

**[Relevant Models]** AD71 (S1, S2, S7) /A1SD71-S2 (S7) /A0J2-D71

**[Remedies]**

Remedy 1 : For "Cause 1", clear the "HOLD error" with the following procedure.



- \*1 : If communication between the positioning unit and peripheral device is not possible, contact your nearest dealer or Mitsubishi branch.
- \*2 : With the A1SD71-S2 and AD71S2, the following parameters cannot be written from the peripheral device, so set with the sequence program.
  - Acceleration/deceleration time (when setting a value of 5000ms or more)
  - Acceleration/deceleration time for sudden stop
  - Positioning mode

Remedy 2 : For "Cause 2", clear the "HOLD error" with the following procedure.

1. Inspect the battery.
2. Clear the "HOLD error" with the procedure given in "Remedy 1".

Remedy 3 : If the "HOLD error" occurs even after carrying out "Remedy 1" and "Remedy 2", contact your nearest dealer or Mitsubishi branch.

**[Issue No.]** T12-0007

**[Page]** 3/3

**[Title]** Remedies for "HOLD Error" with Positioning Unit

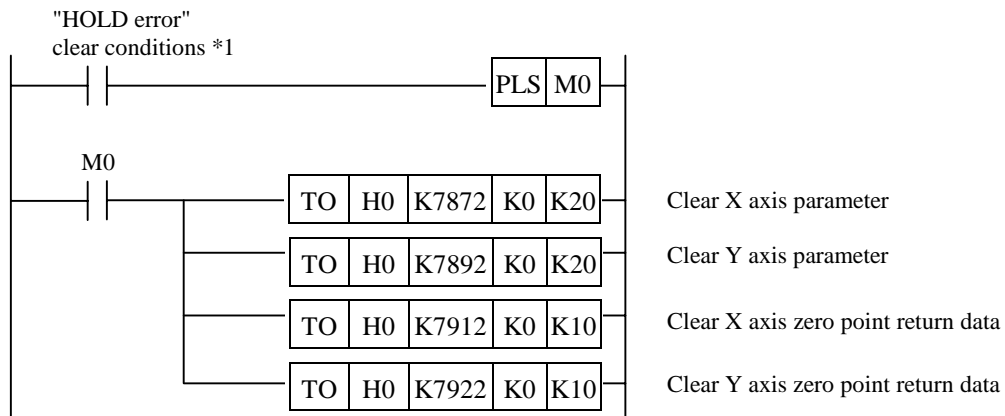
**[Date of Issue]** Jan '00

**[Relevant Models]** AD71 (S1, S2, S7) /A1SD71-S2 (S7) /A0J2-D71

**[Clearing the parameters and zero point return data by sequence program]**

An example of a sequence program to clear the parameters and zero point return data is given below.

**Example)** To clear the AD71 "HOLD error"



\*1 : The "HOLD error" clear condition refers to turning the power ON and OFF once to clear the data before setting the parameter data and zero point return data.