

Subject: About the base part externals change in RV-7F/7FL series

Applicable to: RV-7F/7FL series (except RV-7FLL series)

Thank you for your continued support of Mitsubishi industrial robot MELFA series.
This Technical News explains the change in the design of the base in RV-7F/7FL series.

1. Model and part

- (1) Model : RV-7F/7FL series
(except RV-7FLL series)
- (2) Part : Base part

2. Details of the Design Change

- ① Design change of the base.
- ② Change the thickness of the attachment area. ※1※2
- ③ Position change of the grounding screw.

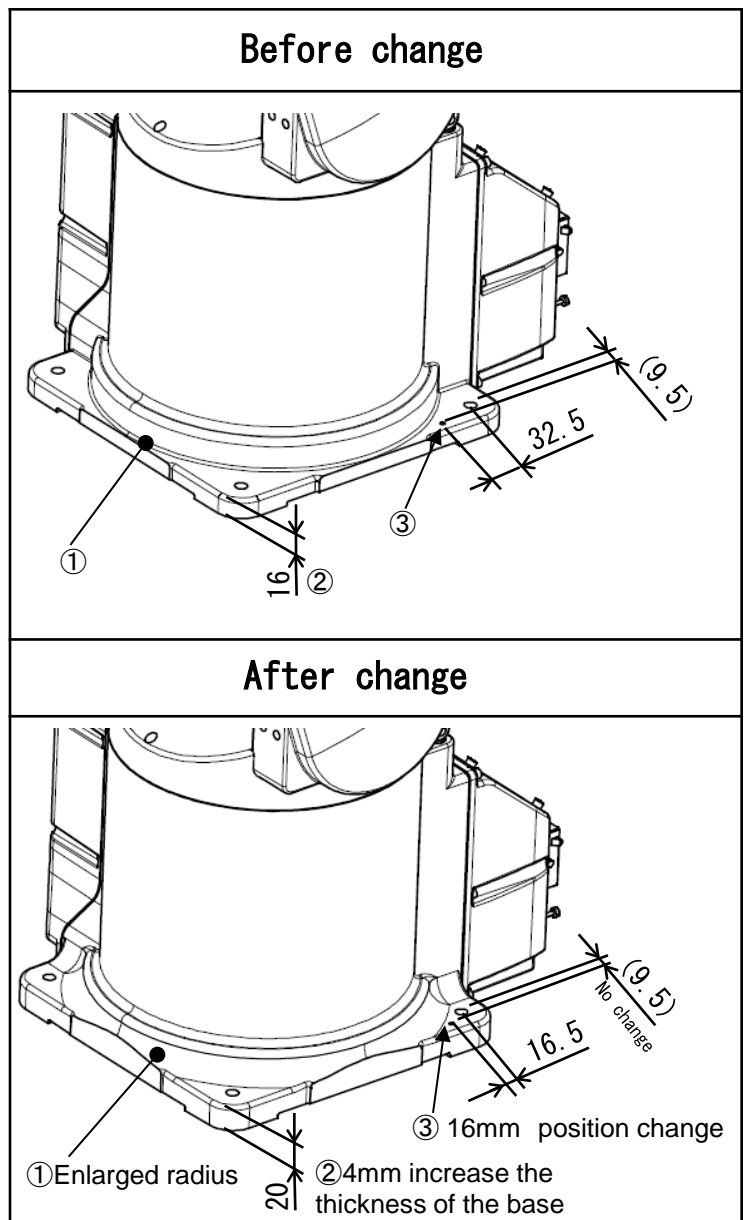
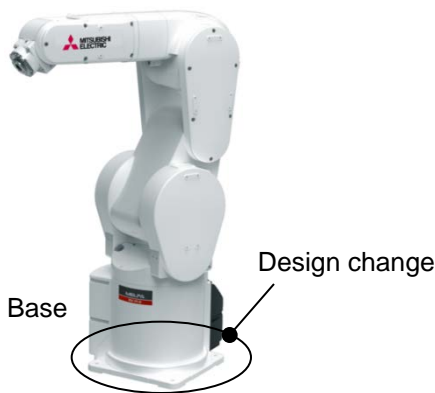


Figure 1 Details of the design change

※1
There is no change to the supplied installation bolts (M8X40).
If supplied bolts are not used please use appropriate bolts for installation.

※2
There is no change in height and installation dimensions.

3. Reason for change

For productivity improvement.

4. Schedule

This change will start from April 2015.