

Change in specification for packing case of interchangeable ZCT

We would like to inform you that we will change the specification for packing case of interchangeable ZCT.

1. Types

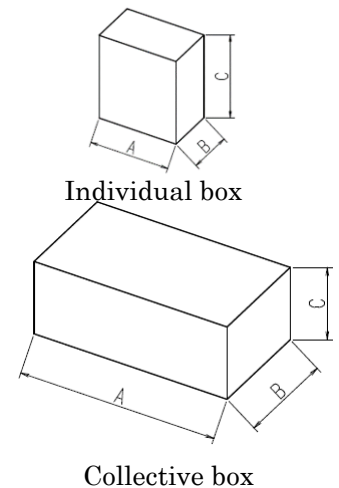
ZT15B, ZT30B, ZT40B

2. Content of change

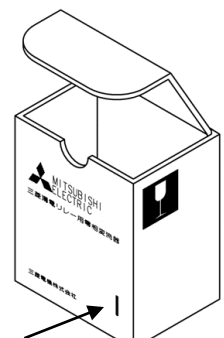
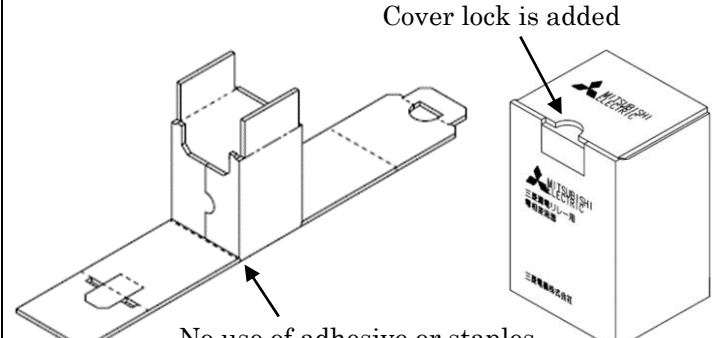
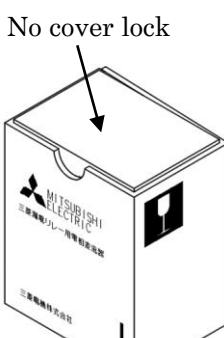
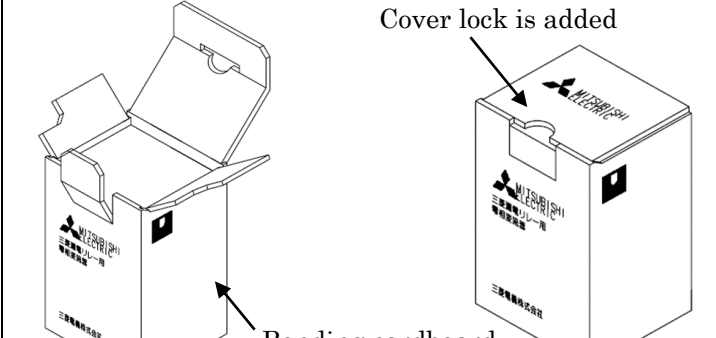

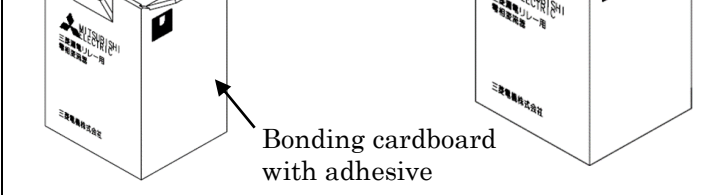
We will change the specification of packing case.

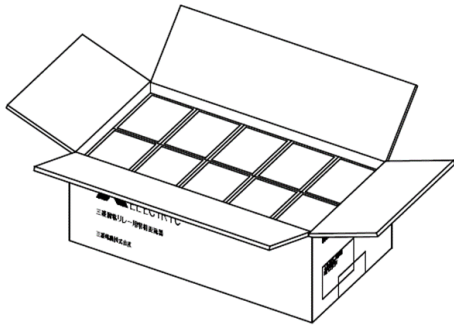
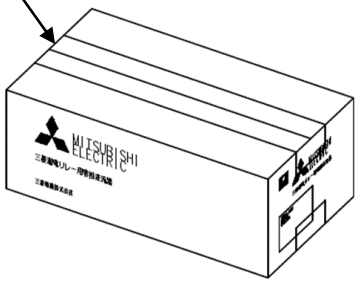
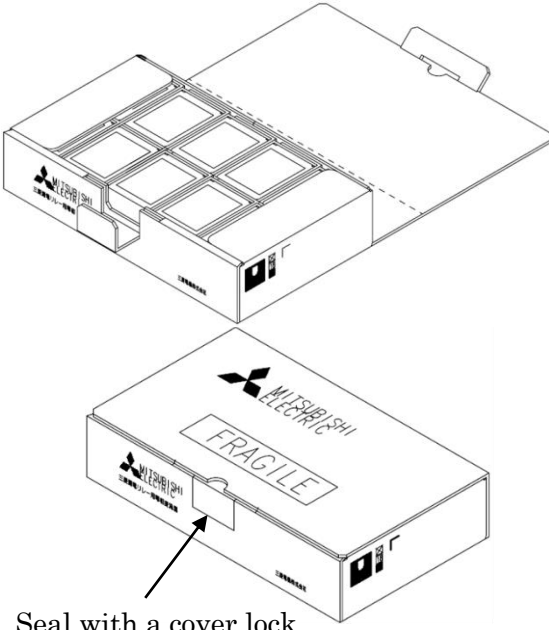
(1) Outside dimension

	Types	Before	After
Individual box (A×B×C)	ZT15B	85×62×103mm	58×60×82.5mm
	ZT30B		74×66×117mm
	ZT40B	106×68×115mm	91×66×127mm
Collective box (A×B×C)	ZT15B	366×190×146mm	306×180×67mm
	ZT30B		340×244×104mm
	ZT40B	366×228×157mm	340×264×121mm

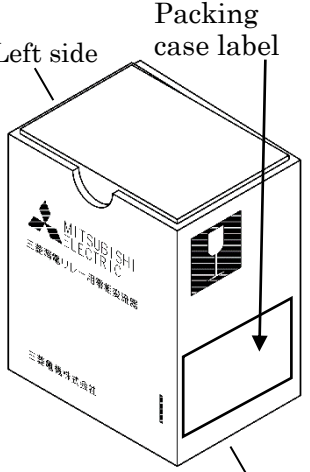
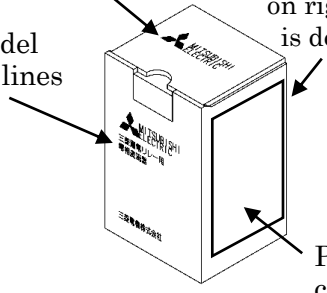
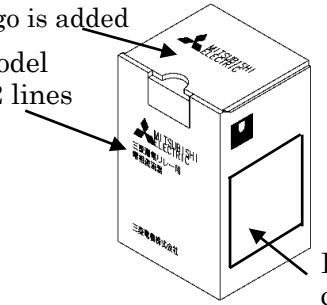
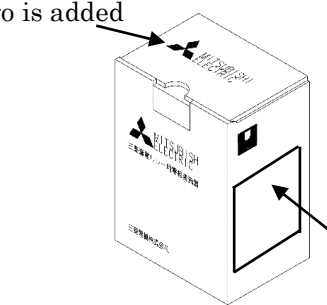


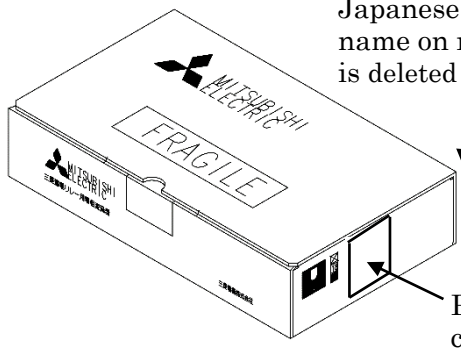
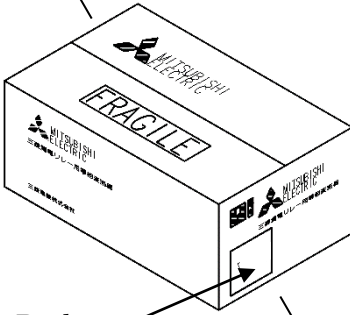
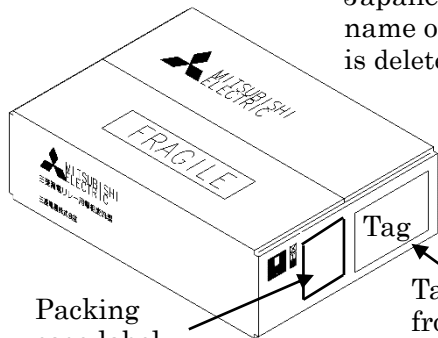
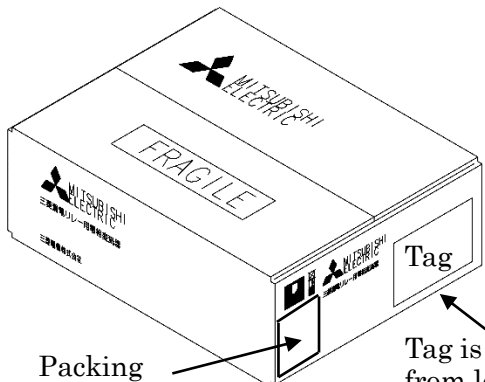
(2) Construction

	Types	Before	After
Individual box	ZT15B	 <p>Staple cardboard together</p>	 <p>Cover lock is added</p> <p>No use of adhesive or staples</p>
	ZT30B	 <p>No cover lock</p>	 <p>Cover lock is added</p>
	ZT40B	 <p>Bonding cardboard with adhesive</p>	 <p>Cover lock is added</p>

	Types	Before	After
Collective box	ZT15B	 <p>Seal with a tape</p> 	 <p>Seal with a cover lock</p>
	ZT30B		No change (Seal with a tape)
	ZT40B		

(3)Displayed contents

	Types	Before	After
Individual box	ZT15B	 <p>Left side</p> <p>Packing case label</p> <p>Right side</p>	<p>Corporate logo is added</p> <p>Japanese model name with 2 lines</p> <p>Handling mark on right side is deleted</p>  <p>Packing case label</p>
	ZT30B		<p>Corporate logo is added</p> <p>Japanese model name with 2 lines</p>  <p>Packing case label</p>
	ZT40B		<p>Corporate logo is added</p>  <p>Packing case label</p>

Collective box	ZT15B		 <p>Corporate logo and Japanese model name on right side is deleted</p> <p>Packing case label</p>
	ZT30B	 <p>Left side</p> <p>Packing case label</p> <p>Right side</p>	 <p>Corporate logo and Japanese model name on right side is deleted</p> <p>Tag</p> <p>Packing case label</p> <p>Tag is moved from left side to right side</p>
	ZT40B		 <p>Packing case label</p> <p>Tag</p> <p>Tag is moved from left side to right side</p>

3. Reason for change

- (1) To reduce the weight of packing material in consideration of the environment.
- (2) To change the layout of indication contents with the above (1).

4. Time of change

From the production in May, 2020.

Please bear in mind that the exact start of production may change due to stock condition.