

Specification changes of Molded Case Circuit Breakers


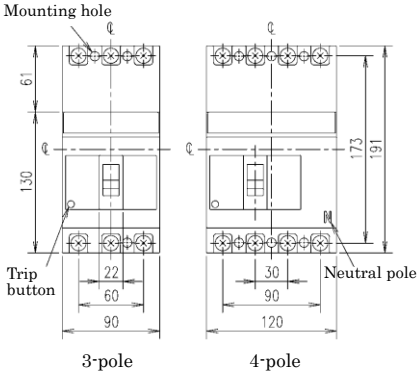
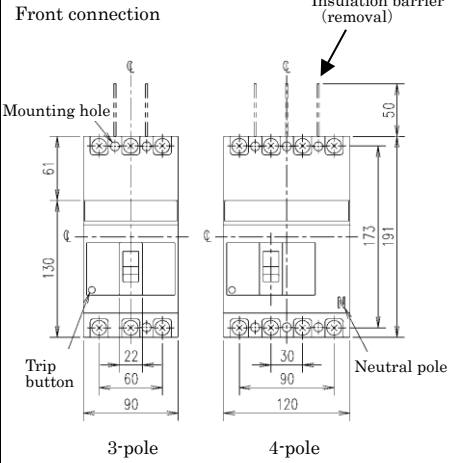
We would like to inform that we will change the specification of Molded Case Circuit Breakers.

1. Types

Molded Case Circuit Breaker NF125-UV

2. Content of change

We will add the standard attached parts (insulation barriers).

	Before	After
Image		
	Standard attached parts with insulation barriers : Not included	Standard attached parts with insulation barriers : Included (2P:1pc,3P:2pcs,4P:3pcs)
	Front connection	Front connection
		
	3-pole 4-pole	3-pole 4-pole
	Outline Drawing	Outline Drawing

3. Reason for change

Due to the discontinuation of production of component parts, specifications will be changed to improve productivity by unifying specifications with other series, and to strengthen insulation when terminal covers and other insulation treatments are not applied.

*If the breaker comes with an insulation barrier, please use it with the insulation barrier attached.

4. Time of change

From production in May 2024.

Please bear in mind that the exact start of production may change due to stock condition.