

TECHNICAL BULLETIN

[1 / 63]

[Issue No.] GOT-A-0061-I

[Title] Precautions when Replacing GOT1000 Series with GOT2000 Series

[Date of Issue] March 2014 (Ver. I: July 2021)

[Relevant Models] GOT1000 Series (GT15 and GT16 Models) → GOT2000 Series (GT27 and GT25 Models)

Thank you for your continued support of Mitsubishi Electric Graphic Operation Terminal (GOT). We released the GOT2000 series with high functions and performance as an alternative of the GOT1000 series in September 2013. We highly recommend that you replace the GOT1000 series with the GOT2000 series for using new sophisticated features.

Contents

1. Requests for customers	2
2. Replacement models	2
2.1 GOT	2
2.2 Communication unit.....	5
2.2.1 Precautions for replacement of communication units.....	6
2.3 Option unit	6
2.3.1 Precautions for replacement of option units	7
2.4 Option	8
2.5 Cable	9
2.5.1 Q bus connection cable	9
2.5.2 RS-232 cable	9
2.5.3 RS-422 cable	9
2.5.4 Network cable (Ethernet, MELSECNET/10, and CC-Link).....	10
2.5.5 Other cables.....	10
2.6 Software	10
2.7 License	11
3. Comparison in specifications	12
3.1 Hardware specifications	12
3.1.1 Comparison in hardware specifications	12
3.1.3 Memory card insertion direction.....	27
3.1.4 Attachment direction of the battery	28
3.1.5 Comparison in utility specifications.....	30
3.1.6 Precautions for hardware replacement.....	33
3.1.7 Precautions for arrangement of a 2-point press switch	34
3.2 Function specifications	37
3.2.1 Comparison in functions	37
3.2.2 Detailed comparison in functions.....	38
3.3 Screen design software specifications	53
3.3.1 Preparation before converting the project data	53
3.3.2 Procedure for the project data conversion.....	53
3.3.3 Screen design functions that are not supported	55
3.3.4 Other major changes	55
3.5 Others.....	62
3.5.1 "GOT screen creation" of PX Developer.....	62
3.5.2 Manuals	62
REVISIONS	63

[Issue No.] GOT-A-0061-I

1. Requests for customers

We released the GOT2000 series with high functions and performance as an alternative of the GOT1000 series in September 2013. We highly recommend that you replace the GOT1000 series with the GOT2000 series for using new sophisticated features.

For the replacement models, refer to "Table 2-1 Recommended replacement GOT models of the GOT2000 series" in Chapter 2 below.

2. Replacement models

"Table 2-1 Recommended replacement GOT models of the GOT2000 series" introduces recommended models that have no or less restrictions in terms of the specifications on their replacement with the GOT2000 series. Other models can be selected depending on the usage status in your system. Select an appropriate model after carefully considering the range of performance in the current system.

For the precautions on the replacement, refer to each chapter and section.

2.1 GOT

Since the panel cut dimensions for the GOT2000 series are the same as those for the GOT1000 series, the control panel is not required to be reworked. When you use GOT2000 series shown below, the required screen design software version differs according to the model and functions. Prepare a compatible version of the screen design software.

Table 2-1 Recommended replacement GOT models of the GOT2000 series

GOT1000 series in use		Recommended GOT2000 series for replacement	Panel cut compatibility *3 ○: Compatible	Supported software GT Designer3 (GOT2000)	
GT16	GT1695	GT1695M-XTBA *11 (Discontinued product)	GT2715-XTBA *8	○	Ver.1.112S or later
		GT1695M-XTBD *11 (Discontinued product)	GT2715-XTBD *8	○	Ver.1.112S or later
GT1685	GT1685M-STBA *11 (Discontinued product)	GT2712-STBA *8	○	Ver.1.100E or later	
		GT2712-STWA *1*8	○		
		GT2512-STBA *6*8*12	○	Ver.1.122C or later	
	GT1685M-STBD *11 (Discontinued product)	GT2712-STBD *8	○	Ver.1.100E or later	
		GT2712-STWD *1*8	○		
		GT2512-STBD *6*8*12	○	Ver.1.122C or later	
GT167□	GT1675M-STBA *11 (Discontinued product)	GT2710-STBA *8	○	Ver.1.100E or later	
		GT2710-STBD *8	○	Ver.1.100E or later	
	GT1675M-VTBA *11 (Discontinued product)	GT2710-VTBA *8	○	Ver.1.100E or later	
		GT2710-VTWA *1*8	○		
		GT2510-VTBA *6*8	○	Ver.1.112S or later	
		GT2510-VTWA *1*6*8	○		
	GT1675M-VTBD *11 (Discontinued product)	GT2710-VTBD *8	○	Ver.1.100E or later	
		GT2710-VTWD *1*8	○		
		GT2510-VTBD *6*8	○	Ver.1.112S or later	
		GT2510-VTWD *1*6*8	○		
	GT1675-VNBA *11 (Discontinued product)	GT2710-VTBA *2*8	○	Ver.1.100E or later	
		GT2710-VTWA *1*2*8	○		
		GT2510-VTBA *2*8	○	Ver.1.112S or later	
	GT2510-VTWA *1*2*8	○			
		GT1675-VNBD *11 (Discontinued product)	GT2710-VTBD *2*8	○	Ver.1.100E or later
			GT2710-VTWD *1*2*8	○	
	GT2510-VTBD *2*8		○	Ver.1.112S or later	
	GT2510-VTWD *1*2*8		○		
	GT1672-VNBA *11 (Discontinued product)	GT2710-VTBA *2*8	○	Ver.1.100E or later	
		GT2710-VTWA *1*2*8	○		
		GT2510-VTBA *2*8	○	Ver.1.112S or later	
		GT2510-VTWA *1*2*8	○		

[Issue No.] GOT-A-0061-I

GOT1000 series in use			Recommended GOT2000 series for replacement	Panel cut compatibility *3 ○: Compatible	Supported software GT Designer3 (GOT2000)
GT16	GT167□	GT1672-VNBD *11 (Discontinued product)	GT2710-VTBD *2*8	○	Ver.1.100E or later
			GT2710-VTWD *1*2*8	○	
			GT2510-VTBD *2*8	○	
			GT2510-VTWD *1*2*8	○	
	GT166□	GT1665M-STBA *11 (Discontinued product)	GT2708-STBA *8	○	Ver.1.100E or later
			GT2708-STBD *8	○	
			GT2708-VTBA *8	○	
		GT1665M-STBD *11 (Discontinued product)	GT2508-VTBA *6*8	○	Ver.1.112S or later
			GT2508-VTWA *1*6*8	○	
			GT2708-VTBD *8	○	
		GT1665M-VTBA *11 (Discontinued product)	GT2708-VTBD *8	○	Ver.1.100E or later
			GT2508-VTBD *6*8	○	
			GT2508-VTWD *1*6*8	○	
		GT1665M-VTBD *11 (Discontinued product)	GT2708-VTBA *2*8	○	Ver.1.100E or later
			GT2508-VTBA *2*8	○	
			GT2508-VTWA *1*2*8	○	
		GT1662-VNBA *11 (Discontinued product)	GT2708-VTBD *2*8	○	Ver.1.100E or later
			GT2508-VTBD *2*8	○	
			GT2508-VTWD *1*2*8	○	
GT1662-VNBD *11 (Discontinued product)	GT2708-VTBD *2*8	○	Ver.1.100E or later		
	GT2508-VTBD *2*8	○			
	GT2508-VTWD *1*2*8	○			
GT1655	GT1655-VTBD (Discontinued product)	GT2705-VTBD *8	○	Ver.1.130L or later	
Handy GOT	GT1665HS-VTBD (Discontinued product)	GT2505-VTBD *7*8	○	Ver.1.180N or later	
		GT2506HS-VTBD *8	-	Ver.1.170C or later	
GT15	GT1595	GT1595-XTBA (Discontinued product)	GT2715-XTBA *8	○	Ver.1.112S or later
		GT1595-XTBD (Discontinued product)	GT2715-XTBD *8	○	
	GT1585	GT1585V-STBA (Discontinued product)	GT2712-STBA *4*8	○	Ver.1.100E or later
			GT2712-STWA *1*4*8	○	
		GT2512-STBA *5*6*8*12	○	Ver.1.122C or later	
			○		
		GT1585V-STBD (Discontinued product)	GT2712-STBD *4*8	○	Ver.1.100E or later
			GT2712-STWD *1*4*8	○	
		GT2512-STBD *5*6*8*12	○	Ver.1.122C or later	
			○		
	GT1585-STBA (Discontinued product)	GT2712-STBA *4*8	○	Ver.1.100E or later	
		GT2712-STWA *1*4*8	○		
		GT2512-STBA *5*8*12	○		
	GT1585-STBD (Discontinued product)	GT2712-STBD *4*9	○	Ver.1.100E or later	
		GT2712-STWD *1*4*8	○		
		GT2512-STBD *5*8*12	○		
	GT157□	GT1575V-STBA (Discontinued product)	GT2710-STBA *4*8	○	Ver.1.100E or later
			GT2710-STBD *4*8	○	
		GT1575V-STBD (Discontinued product)	GT2710-STBA *4*8	○	Ver.1.100E or later
			GT2710-STBD *4*8	○	
GT1575-STBA (Discontinued product)		GT2710-VTBA *4*8	○	Ver.1.100E or later	
		GT2710-VTWA *1*4*8	○		
		GT2510-VTBA *5*8	○		
GT1575-VTBA (Discontinued product)		GT2510-VTWA *1*5*8	○	Ver.1.112S or later	
		○	Ver.1.100E or later		
		○			
GT1575-VTBD (Discontinued product)	GT2710-VTBD *4*8	○	Ver.1.100E or later		
	GT2710-VTWD *1*4*8	○			
	GT2510-VTBD *5*8	○			
	○	Ver.1.112S or later			
	○				

[Issue No.] GOT-A-0061-I

GOT1000 series in use		Recommended GOT2000 series for replacement	Panel cut compatibility *3 ○: Compatible	Supported software GT Designer3 (GOT2000)		
GT15	GT157□	GT1575-VNBA (Discontinued product)	GT2710-VTBA *2*4*8	○	Ver.1.100E or later	
			GT2710-VTWA *1*2*4*8	○		
			GT2510-VTBA *2*5*8	○		Ver.1.112S or later
			GT2510-VTWA *1*2*5*8	○		
		GT1575-VNBD (Discontinued product)	GT2710-VTBD *2*4*8	○	Ver.1.100E or later	
			GT2710-VTWD *1*2*4*8	○		
			GT2510-VTBD *2*5*8	○		Ver.1.112S or later
			GT2510-VTWD *1*2*5*8	○		
		GT1572-VNBA (Discontinued product)	GT2710-VTBA *2*4*8	○	Ver.1.100E or later	
			GT2710-VTWA *1*2*4*8	○		
			GT2510-VTBA *2*5*8	○		Ver.1.112S or later
			GT2510-VTWA *1*2*5*8	○		
	GT1572-VNBD (Discontinued product)	GT2710-VTBD *2*4*8	○	Ver.1.100E or later		
		GT2710-VTWD *1*2*4*8	○			
		GT2510-VTBD *2*5*8	○		Ver.1.112S or later	
		GT2510-VTWD *1*2*5*8	○			
	GT156□	GT1565-VTBA (Discontinued product)	GT2708-VTBA *4*8	○	Ver.1.100E or later	
			GT2508-VTBA *5*8	○		
			GT2508-VTWA *1*5*8	○		
		GT1565-VTBD (Discontinued product)	GT2708-VTBD *4*8	○	Ver.1.100E or later	
GT2508-VTBD *5*8			○			
GT2508-VTWD *1*5*8			○			
GT156□	GT1562-VNBA (Discontinued product)	GT2708-VTBA *2*4*8	○	Ver.1.100E or later		
		GT2508-VTBA *2*5*8	○			
		GT2508-VTWA *1*2*5*8	○			
	GT1562-VNBD (Discontinued product)	GT2708-VTBD *2*4*8	○	Ver.1.100E or later		
		GT2508-VTBD *2*5*8	○			
		GT2508-VTWD *1*2*5*8	○			
GT155□	GT1555-VTBD (Discontinued product)	GT2705-VTBD *4*8	○	Ver.1.130L or later		
		GT2505-VTBD *5*7*8	○			
	GT1555-QTBD (Discontinued product)	GT2505-VTBD *5*7*8*10	○	Ver.1.180N or later		
	GT1555-QSBD (Discontinued product)	GT2505-VTBD *2*5*7*8*9*10	○			
	GT1550-QLBD (Discontinued product)	GT2505-VTBD *2*5*7*8*9*10	○			

- *1 This model has a white front panel. For the difference in the specifications between the white-panel model and standard model (black panel), refer to Section 3.1.1.
- *2 The display color is changed to 65536 colors since the GOT2000 series does not support 4096, 256, and 16 colors. Note that the price range differs. For the details, refer to the GOT2000 series catalog (L(NA)08274ENG).
- *3 The panel cutting dimensions are compatible; however, the external dimensions are longer upward and downward by 2 mm.
- *4 Although the display type is changed from the matrix resistive film type to the analog resistive film type, 2-point press is available.
However, note that there are precautions on the arrangement of 2-point press switches. For the details, refer to Section 3.1.7.
- *5 The display section is changed from a matrix-resistive touch panel type to an analog-resistive touch panel type.
The 2-point press is unavailable.
- *6 To use the multimedia and video functions, replace the GOT with a recommended GT27 model.
- *7 For GT2505-VTBD, a communication unit or option unit is not usable.
- *8 Use an SD card instead of a CF card.
- *9 The display color of GT2505-VTBD is changed to 65536 colors.
- *10 The resolution is changed to VGA since GT2505-VTBD does not support the resolution QVGA.
For the details, refer to the following catalog.
→ "Mitsubishi Graphic Operation Terminal GOT2000 Series" (L(NA)08270ENG)
- *11 The GT16 models with function version G or earlier use a CCFL backlight.
Maintenance requests for the models will be accepted through December 31, 2021.
For the details, refer to the following technical bulletin.
→ "GT16 models parts change (LCD, buzzer, and reset switch)" (GOT-A-0071)
- *12 The GT2512 models have no human sensor.
If a human sensor is required, consider replacing the GOT with a GT2712 model.

[Issue No.] GOT-A-0061-I

2.2 Communication unit

Most of the communication units of the GOT1000 series can be used together with the GOT2000 series as-is. Check the availability of use in the following table.

Table 2-2 List of replacement models for communication units

◎: Available as-is △: Replaceable

Communication format	GOT1000 model	Availability of use	Remarks
Q bus connection	GT15-QBUS	◎	-
	GT15-75QBUSL	◎	To use the units for the external I/O function, sound output function, printer function, video/RGB input or output function, and other functions in combination, use the following unit. • GT15-QBUS (Q bus connection, 1 channel)
	GT15-QBUS2	◎	To use a GT15-QBUS2 unit removed from a GOT (GOT1000 series), remove the extension interface relay board from the unit, and then mount only the unit on a GOT (GOT2000 series).
	GT15-75QBUS2L	◎	To use the units for the external I/O function, sound output function, printer function, video/RGB input or output function, and other functions in combination, use the following unit. • GT15-QBUS2 (Q bus connection, 2 channels)
RS-232 connection	GT15-RS2-9P	◎	-
RS-422 connection	GT15-RS4-9S	◎	-
	GT15-RS4-TE	◎	-
	GT15-RS2T4-9P (Discontinued product)	△	Use the built-in RS-422/485 interface or RS-422/485 serial communication unit (GT15-RS4-9S) sold separately.
MELSECNET/10 connection *1	GT15-J71LP23-25	◎	To use a GT15-J71LP23-25 unit removed from a GOT (GOT1000 series), remove the extension interface relay board from the unit, and then mount only the unit on a GOT (GOT2000 series).
	GT15-75J71LP23-Z (Discontinued product)	△	Not available. Replace with the MELSECNET/H communication unit (GT15-J71LP23-25).
	GT15-J71BR13	◎	To use a GT15-J71BR13 unit removed from a GOT (GOT1000 series), remove the extension interface relay board from the unit, and then mount only the unit on a GOT (GOT2000 series).
	GT15-75J71BR13-Z (Discontinued product)	△	Not available. Replace with the MELSECNET/H communication unit (GT15-J71BR13).
MELSECNET/H connection	GT15-J71LP23-25	◎	To use a GT15-J71LP23-25 unit removed from a GOT (GOT1000 series), remove the extension interface relay board from the unit, and then mount only the unit on a GOT (GOT2000 series).
	GT15-J71BR13	◎	To use a GT15-J71BR13 unit removed from a GOT (GOT1000 series), remove the extension interface relay board from the unit, and then mount only the unit on a GOT (GOT2000 series).
CC-Link IE Controller Network communication unit	GT15-J71GP23-SX	◎	To use a GT15-J71GP23-SX unit removed from a GOT (GOT1000 series), remove the extension interface relay board from the unit, and then mount only the unit on a GOT (GOT2000 series).
CC-Link IE Field Network communication unit	GT15-J71GF13-T2	◎	To use a GT15-J71GF13-T2 unit removed from a GOT (GOT1000 series), remove the extension interface relay board from the unit, and then mount only the unit on a GOT (GOT2000 series).
CC-Link(ID) connection Ver.1	GT15-75J61BT13-Z (Discontinued product)	△	Not available. Replace with GT15-J61BT13.
CC-Link(ID) connection Ver.2	GT15-J61BT13	◎	To use a GT15-J61BT13 unit removed from a GOT (GOT1000 series), remove the extension interface relay board from the unit, and then mount only the unit on a GOT (GOT2000 series).
Ethernet connection	GT15-J71E71-100 (Discontinued product)	△	Use the built-in interface (Ethernet) or GT25-J71E71-100.
Serial multi-drop connection unit	GT01-RS4-M	◎	-

*1 Use the MELSECNET/H unit in the MELSECNET/10 mode. For the details, refer to Section 2.2.1.

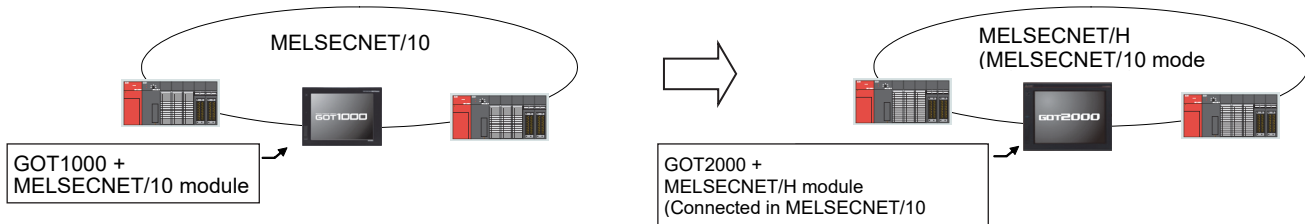
2.2.1 Precautions for replacement of communication units

(1) Replacing the GOT1000 series connected to the MELSECNET/10 (programmable controller to programmable controller optical loop/coaxial bus)) network system with the GOT2000 series

Use the MELSECNET/H communication unit listed in Section 2.2, set the MELSECNET/H communication unit to the MELSECNET/10 mode, and connect the GOT to the MELSECNET/10 network system.

* For the details, refer to "GOT2000 Series Connection Manual (Mitsubishi Electric Product) For GT Works3 Version1 (SH-081197ENG)".

Figure 2-1 Replacement example that requires a change in the network system configuration



2.3 Option unit

Most of the option units of the GOT1000 series can be used together with the GOT2000 series as-is. Check the availability of use in the following table.

Table 2-3 List of replacement models for option units

◎: Available as-is △: Replaceable ×: Not available

Option unit	GOT1000 model	Availability of use	Remarks
Printer unit	GT15-PRN	◎	Supported by GT Designer3 (GOT2000) Ver.1.105K or later.
Multimedia unit	GT16M-MMR (Discontinued product)	△	Use a unit for the GOT2000 series (GT27-MMR-Z). * The applicable memory card is CF cards.
Video input unit	GT16M-V4 (Discontinued product)	△	Use a unit for the GOT2000 series (GT27-V4-Z). To use the unit on GT2715 and to comply with the EMC Directive, use the unit with whose hardware version is B or later. *1
	GT15V-75V4 (Discontinued product)		
RGB input unit	GT16M-R2 (Discontinued product)	△	Use a unit for the GOT2000 series (GT27-R2).
	GT15V-75R1 (Discontinued product)		
Video/RGB input unit	GT16M-V4R1 (Discontinued product)	△	Use a unit for the GOT2000 series (GT27-V4R1-Z). To use the unit on GT2715 and to comply with the EMC Directive, use the unit with whose hardware version is B or later. *1
	GT15V-75V4R1 (Discontinued product)		
RGB output unit	GT16M-ROUT (Discontinued product)	△	Use a unit for the GOT2000 series (GT27-ROUT).
	GT15V-75ROUT (Discontinued product)		
Sound output unit	GT15-SOUT	◎	-
CF card unit	GT15-CFCD (Discontinued product)	×	CF cards are unavailable to the GOT2000 series. Use SD cards or USB memory devices.
CF card extension unit	GT15-CFEX-C08SET (Discontinued product)	×	CF cards are unavailable to the GOT2000 series. Use SD cards or USB memory devices.
External I/O unit	GT15-DIOR	◎	-
	GT15-DIO	◎	-

*1 To use the unit on GT2715, the hardware version of the supplied GT16M-V4R1-Z/GT16M-V4-Z/GT16M-R2-Z and GT27-IF1000 must also be B or later.

[Issue No.] GOT-A-0061-I

2.3.1 Precautions for replacement of option units

When an option unit for the GOT1000 series is replaced with that for the GOT2000 series, the height of the replacement unit may differ. Check the height in the following table.

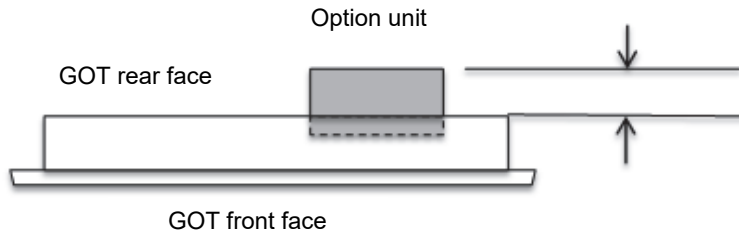


Table 2-4 List of the height of option units

Option unit	Unit (mm)				
	GT27□□	GT1695	GT1685	GT1675	GT1665
Multimedia unit (GT27-MMR-Z)	58.0	-	-	-	-
Multimedia unit (GT16M-MMR) (Discontinued product)	-	33.5	32.0	35.0	37.0
Video input unit (GT27-V4-Z)	44.5	-	-	-	-
Video input unit (GT16M-V4) (Discontinued product)	-	19.5	18.0	21.0	23.0
RGB input unit (GT27-R2)	20.0	-	-	-	-
RGB input unit (GT16M-R2) (Discontinued product)	-	19.5	18.0	21.0	23.0
Video/RGB input unit (GT27-V4R1-Z)	44.5	-	-	-	-
Video/RGB input unit (GT16M-V4R1) (Discontinued product)	-	19.5	18.0	21.0	23.0
RGB output unit (GT27-ROUT)	20.0	-	-	-	-
RGB output unit (GT16M-ROUT) (Discontinued product)	-	19.5	18.0	21.0	23.0

[Issue No.] GOT-A-0061-I

2.4 Option

For options, use the products for the GOT2000 series. Some options can be used as is. Check the availability of use in the following table.

Table 2-5 List for option replacement

◎: Available as-is ×: Not available

Option unit	Availability of use	Remarks
Backlight	×	Products for the GOT1000 series cannot be used. * Since GT27 and GT25 models adopt an LED backlight, the backlight cannot be replaced.
Protective sheet	×	Products for the GOT1000 series cannot be used. *3 Use the product for the GOT2000 series. * Because the design of the front face panel and the position of the USB port differ.
USB environmental protection cover	×	Products for the GOT1000 series cannot be used. Use the product for the GOT2000 series.
Protective cover for oil	×	Products for the GOT1000 series cannot be used. Use the product for the GOT2000 series.
Stand	◎	Can be used if the size of the currently used GOT1000 is the same as that of the GOT2000 series to be used.
Memory card (CF card) ■For data storage	×	CF cards must be replaced with SD cards. • NZ1MEM-2GBSD • NZ1MEM-4GBSD • NZ1MEM-8GBSD • NZ1MEM-16GBSD
Memory card (CF card) ■For multimedia unit	◎	The product for the GOT1000 series can be used as-is.
Memory card adapter	◎	The product for the GOT1000 series can be used as-is.
Attachment	◎	Can be used as-is if an attachment is used for the GOT1000 series. At the replacement of the GOT1000 series with the GOT2000 series, no attachment is necessary because of the same panel cutting dimensions.
Battery (spare)	×	The battery GT15-BAT for GT16 and GT15 models cannot be used. *1*2 Use the battery GT11-50BAT for GT27 and GT25 models. * GT27 and GT25 models have a built-in battery at factory default.

*1 The battery GT11-50BAT used for GT1655 is usable for GT27 and GT25 models.

*2 When replacing GT1665HS-VTBD with GT2506HS-VTBD, the battery GT15-BAT can be used as-is.

*3 When replacing GT1665HS-VTBD with GT2506HS-VTBD, the protective sheet GT16H-60PSC can be used as-is.

* For the details and prices of option products for the GOT2000 series, refer to the GOT2000 series catalog (L(NA)08274ENG).

2.5 Cable

2.5.1 Q bus connection cable

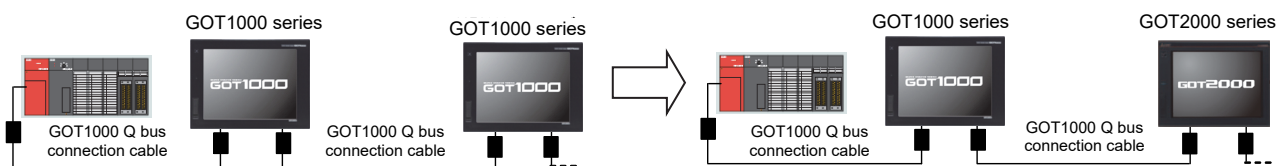
(1) Utilization of cables in present use

The currently used Q bus connection cable for the GOT1000 series can be used as-is for the GOT2000 series.

(2) Replacing GOT when using multiple units of bus connection

When multiple GOT1000-series GOTs are connected by the Q bus connection, one or more of the units can be replaced with the GOT2000 series. In this case, the GOT1000 series and GOT2000 series can coexist in the same system.

■ Configuration with GOT1000 only → The GOT1000 series and GOT2000 series can coexist.



2.5.2 RS-232 cable

The currently used cable for the GOT1000 series can be used as-is for the GOT2000 series.

2.5.3 RS-422 cable

(1) Cable for GT15 models

The existing GOT1000 cables used for GT15 models are usable for the GOT2000 series.

(2) Cable for GT16 models

Whether the cables for GT16 models can be used depends on the communication interface or the communication unit routed. Check the availability of use in the following table. The cables used for the serial communication unit (GT15-RS4-9S or GT15-RS4-TE) can be used as-is. The cables used for the RS-422/RS485 interfaces built into GT16 can be used after GT16-C02R4-9S is removed. (GT16-C02R4-9S is no longer needed.)

Table 2-6 Replacement of RS-422 cable for GT16 models

System configuration of GOT1000			System configuration of GOT2000
Communication port (built-in GOT)	Communication unit/conversion cable	Cable	Cable model
RS-422/485 port built in GT16	GT16-C02R4-9S	GT01-C□□R4-25P (or equivalent)	The currently used RS-422 conversion cable (GT16-C02R4-9S) is no longer needed. The cable (GT01-C□□R4-25P) can be used as-is. * The RS-422/485 port built in GT27 and GT25 is used for the communication port.
Extension interface of GT16	GT15-RS4-9S	GT01-C□□R4-25P (or equivalent)	The currently used communication unit and cables can be used as-is.
RS-232 port built in GT16	GT15-RS2T4-9P (Discontinued product)	GT01-C□□R4-25P (or equivalent)	The currently used communication unit (GT15-RS2T4-9P) is no longer needed. The cable (GT01-C□□R4-25P) can be used as-is. * The RS-422/485 port built in GT27 and GT25 is used for the communication port.

* □ in the table indicates a number representing the length.

[Issue No.] GOT-A-0061-I

2.5.4 Network cable (Ethernet, MELSECNET/10, and CC-Link)

The GOT1000 series network cables are applicable to the GOT2000 series.

2.5.5 Other cables

The following the GOT1000 series cables are applicable to the GOT2000 series.

Table 2-7 Availability of other currently used cables

◎: Available as-is ×: Not available

Cable of GOT1000		Cable of GOT2000	
Cable name	Cable model	Availability of use	Remarks
Printer cable	GT09-C30USB-5P when a printer unit (GT15-PRN) is used	◎	-
	User-fabricated cable when a serial printer is used	◎	-
Analog RGB cable	GT15-C50VG or user-fabricated cable	◎	For connection with a device that can output images by RGB, such as video cameras, vision sensors, and personal computers, and with an external monitor
Coaxial cable for video display	User-fabricated cable	◎	For connection with a device that can output images by NTSC/PAL, such as video cameras and vision sensors

2.6 Software

To create project data for the GOT2000 series, MELSOFT GT Designer3 (GOT2000), which is included with the screen design software MELSOFT GT Works3 (Version 1.100E or later), is needed.

For how to obtain the software in a specific version, refer to the following table.

Table 2-8 Supported software version and how to obtain the software

Software	Supported version	How to obtain the software
Screen design software MELSOFT GT Works3	■Japanese/English/Chinese version MELSOFT GT Designer3 (GOT2000), which is enclosed with MELSOFT GT Works3 Version 1.100E or later	The version shown on the left is supported. If your version is old, update the software to the latest version, 1.100E or later. For how to obtain the software, contact your local sales office.
Screen design software MELSOFT GT Works2 MELSOFT GT Designer2	Not supported	To create project data for the GOT2000 series, purchase MELSOFT GT Works3 Version 1.100E or later.
FA integrated engineering software MELSOFT iQ Works	■Japanese version Ver.1.71Z or later is supported. ■English version Ver.1.77F or later is supported.	The version shown on the left is supported. If your version is old, update the software to the latest version. For how to obtain the software, contact your local sales office.

* For the details of the project data conversion, refer to Section 3.3.1.

[Issue No.] GOT-A-0061-I

2.7 License

The GOT1000 series licenses below cannot be used for the GOT2000 series. Please purchase the GOT2000 series licenses.

Table 2-9 List of replacement models for option units

×: Model change required

License name (license key for GOT1000)	Availability of use (license key for GOT2000)	Remarks
License key for GT SoftGOT (GT15-SGTKEY-U) (Discontinued product)	× (GT27-SGTKEY-U)	Use the license for GT SoftGOT2000.
License of the remote personal computer operation (Ethernet) (GT16-PCRAKEY) (Discontinued product)	× (GT25-PCRAKEY)	Use the license for GOT2000.
License of the VNC server function (GT16-VNCSKEY) (Discontinued product)	× (GT25-VNCSKEY)	Use the license for GOT2000.
License of MES interface function (GT16-MESB (Discontinued product), GT15-MESB48M (Discontinued product)) *1	× (GT25-MESIFKEY)	Use the license for GOT2000.

*1 The MES interface function of the GOT1000 series requires the product activation by the option function board, but the MES interface function of the GOT2000 series can be activated with a license number.

For how to authenticate the license, refer to the "GOT2000 Series User's Manual (Utility) (SH-081195ENG)".

[Issue No.] GOT-A-0061-I

3. Comparison in specifications

The following describes the differences in the specifications between the GOT1000 series and GOT2000 series. When considering a replacement of the GOT1000 series with the GOT2000 series, check the specifications of your current model and target model.

3.1 Hardware specifications

3.1.1 Comparison in hardware specifications

The following describes the comparison in the hardware specifications between the GOT1000 series and GOT2000 series.

(1) Lineup

Table 3-1 Lineup comparison

⊙: Supported -: Not supported

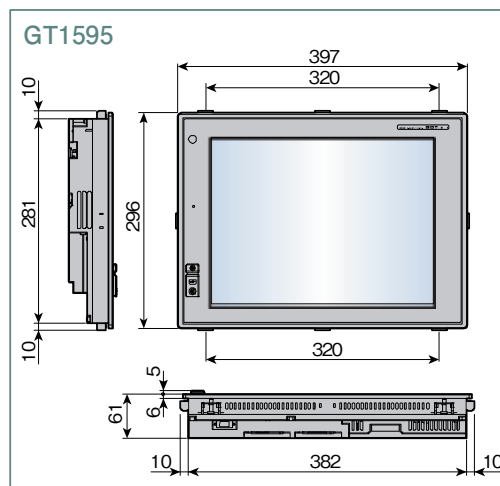
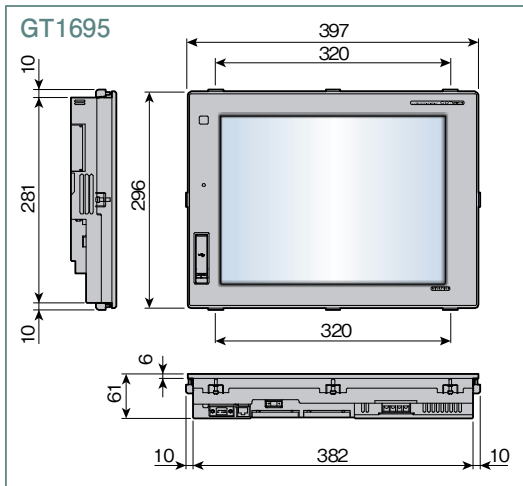
Item	GOT1000 series		GOT2000 series				
	GT16	GT15	GT27 standard	GT27 white	GT25 standard	GT25 white	
Front face color	Black	Black	Black	White	Black	White	
LCD size	15" XGA	⊙	⊙	⊙	-	-	-
	12.1" SVGA	⊙	⊙	⊙	⊙	⊙	-
	10.4" SVGA	⊙	⊙	⊙	-	-	-
	10.4" VGA	⊙	⊙	⊙	⊙	⊙	⊙
	8.4" SVGA	⊙	-	⊙	-	-	-
	8.4" VGA	⊙	⊙	⊙	-	⊙	⊙
	5.7" VGA	⊙	⊙	⊙	-	⊙	-
	5.7" QVGA	-	⊙	-	-	-	-
Number of display colors	65536 colors	⊙	⊙	⊙	⊙	⊙	⊙
	4096 colors	⊙	⊙	-	-	-	-
	256 colors	-	⊙	-	-	-	-
	16 colors	⊙	⊙	-	-	-	-
	16-tone monochrome	-	⊙	-	-	-	-

[Issue No.] GOT-A-0061-I

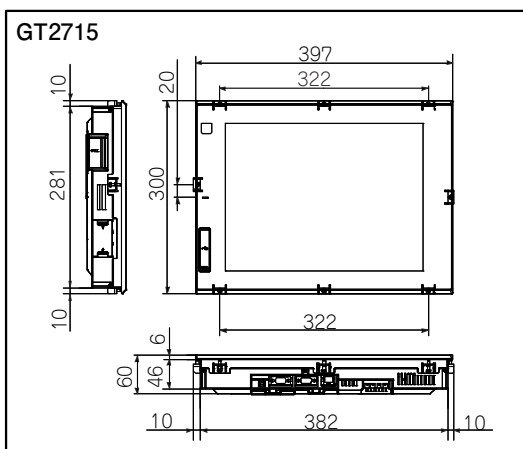
(2) External dimensions

The external dimensions of the GOT2000 series are larger than those of the GOT1000 series upward and downward by 2 mm. However, the panel cutting dimensions and mounting intervals are the same. For the panel cutting dimensions and mounting intervals, refer to Section 3.1.2.

■15" (GOT1000 series)

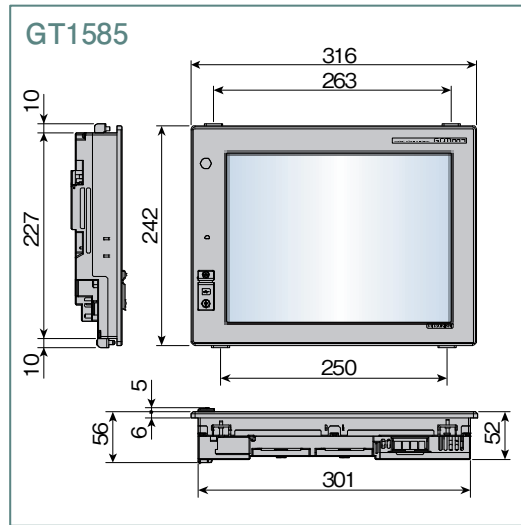
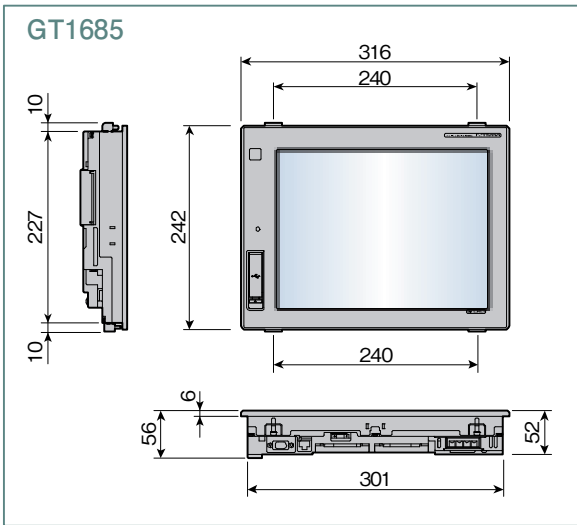


■15" (GOT2000 series)

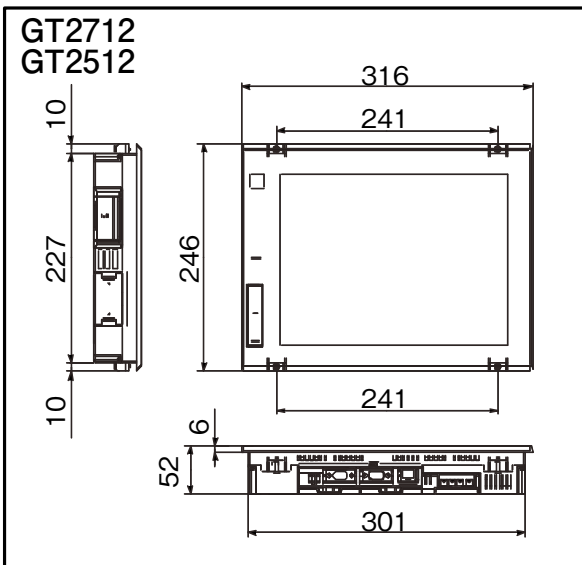


[Issue No.] GOT-A-0061-I

■ 12.1" (GOT1000 series)

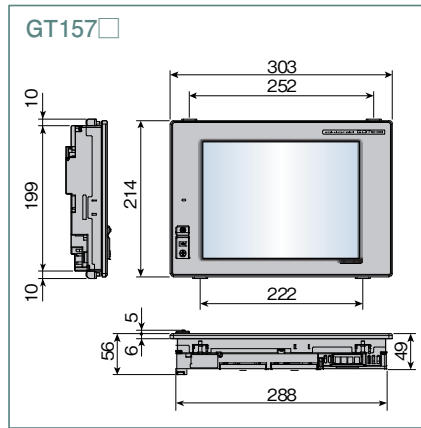
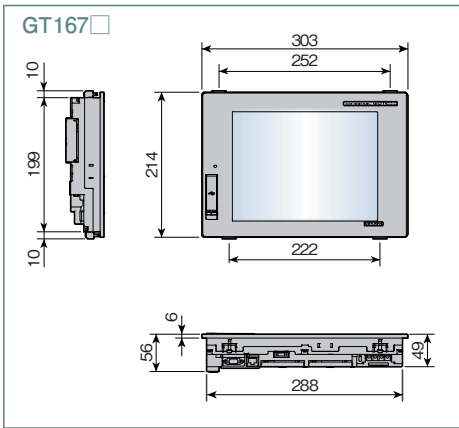


■ 12.1" (GOT2000 series)

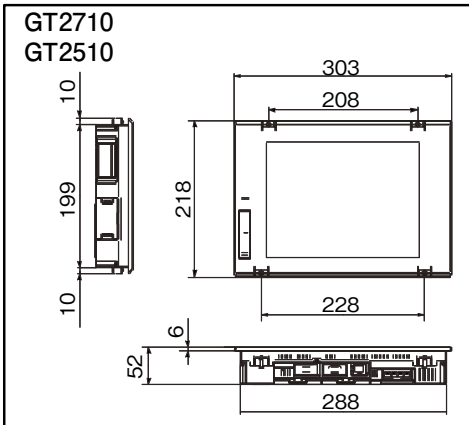


[Issue No.] GOT-A-0061-I

■10.4" (GOT1000 series)

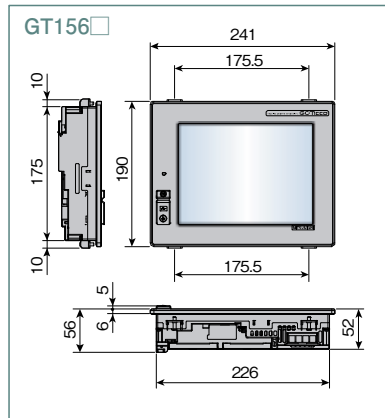
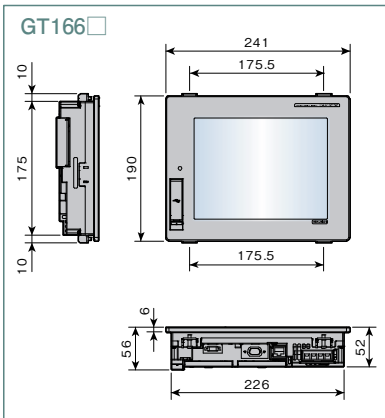


■10.4" (GOT2000 series)

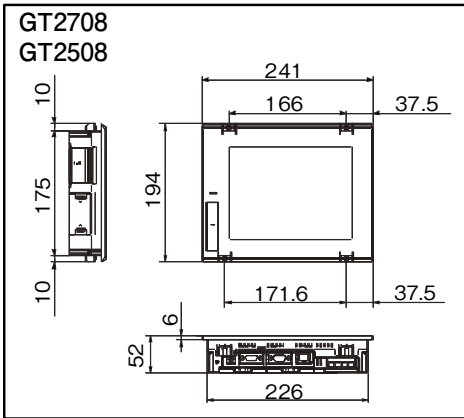


[Issue No.] GOT-A-0061-I

■ 8.4" (GOT1000 series)

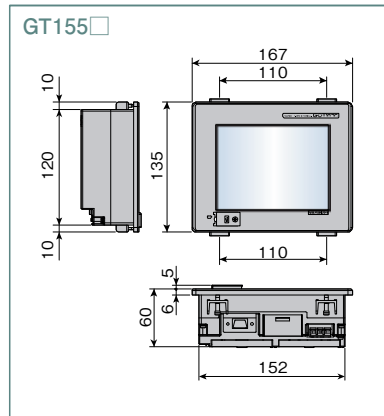
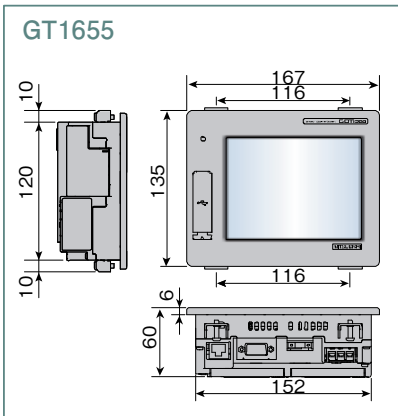


■ 8.4" (GOT2000 series)

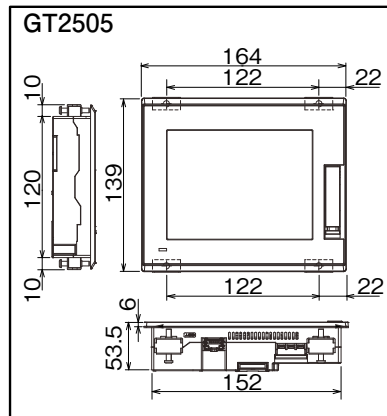
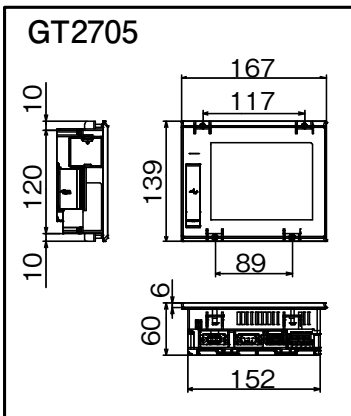


[Issue No.] GOT-A-0061-I

■5.7" (GOT1000 series)



■5.7" (GOT2000 series)



[Issue No.] GOT-A-0061-I

(3) Performance specifications

The following describes the comparison in the performance specifications between the GOT1000 series and GOT2000 series.

Table 3-2 Performance comparison

Item		GOT1000		GOT2000			
		GT16	GT15	GT27 standard	GT27 white	GT25 standard	GT25 white
Display section	Backlight	Cold cathode fluorescent tube *3 * LED used partially	Cold cathode fluorescent tube	LED			LED
	Brightness adjustment	4 to 8 levels	4 to 8 levels	32 levels			32 levels
Touch panel	Type	Analog resistive film	Matrix resistive film * Analog resistive film used partially	Analog resistive film (multi-touch compatible)			Analog resistive film
	2-point press	Not available	Available * Except analog resistive film	Available *1			Not available
Standard memory capacity	Standard memory (ROM)	15 MB/11 MB	9 MB/5 MB	57 MB *4			32 MB
	Maximum usable memory	57 MB/53 MB (when an option is used)	57 MB/53 MB (when an option is used)	128 MB *5 (with project data compressed)			80 MB (with project data compressed)
Memory card		CF card	CF card	SD card			SD card
Memory card access control		Controlled with the CF card access switch (rear face)	Controlled with the CF card access switch (rear face)	Controlled by opening/closing the SD card cover Cover closed: Access allowed Cover opened: Access prohibited			Controlled by opening/closing the SD card cover Cover closed: Access allowed Cover opened: Access prohibited
CF card access LED	Specifications	ON: CF card accessed OFF: CF card not accessed	ON: CF card accessed OFF: CF card not accessed	ON: SD card installed OFF: SD card not installed or SD card installed but removal possible Blink: SD card accessed		ON: SD card installed OFF: SD card not installed or SD card installed but removal possible Blink: SD card accessed	
	Color	Red	Red	Green		Green	
Color of power LED		Green/orange	Green/orange	Blue/orange			Blue/orange
Standard I/F	Ethernet	1ch	1ch	1ch			1ch
	USB host	Front face: 1ch	-	Front face: 1ch	Rear face: 1ch	Front face: 1ch	Rear face: 1ch
	USB device	Front face: 1ch	Front face: 1ch	Front face: 1ch	Rear face: 1ch	Front face: 1ch	Rear face: 1ch
	RS-232	1ch (D-sub 9-pin connector)	1ch (D-sub 9-pin connector)	1ch (D-sub 9-pin connector)		1ch (D-sub 9-pin connector)	
	RS-422/485	1ch (14-pin dedicated connector)	-	1ch (D-sub 9-pin connector)		1ch (D-sub 9-pin connector)	
No. of installable extension units		Up to 5 units *2 (2 slots with 3 stages each)	Up to 5 units *2 (2 slots with 3 stages each)	Up to 3 units (1 slot with 3 stages each)			Up to 3 units (1 slot with 3 stages each)

*1 Note the there are precautions on the arrangement of 2-point press switches. For the details, refer to Section 3.1.7.

*2 Up to three units can be mounted on GT1655 or GT155□.

*3 Some models adopt an LED backlight according to the date of manufacture.

*4 The GT2705 is 32 MB.

*5 The GT2705 is 80 MB.

[Issue No.] GOT-A-0061-I

3.1.2 Installing the GOT

(1) Panel cutting dimensions

The panel cutting dimensions for GOT installation are as follows. Cut an attachment hole on the panel in the following dimensions.

As the extra spaces, GT2715 requires 10 mm all around the installation fitting, and other models require 10 mm on the top and the bottom of the installation fitting respectively.

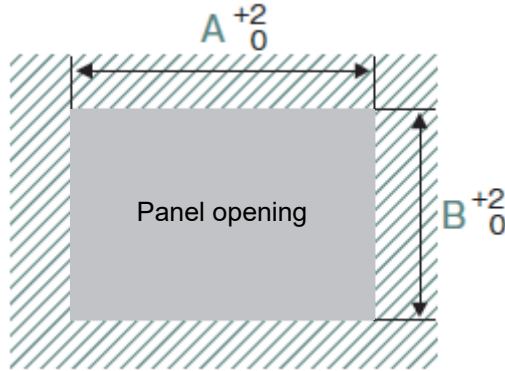


Table 3-3 Panel cutting dimension comparison

Unit (mm)

Screen size	Type				Panel cutting dimensions	
	GOT1000		GOT2000		A	B
	GT16	GT15	GT27	GT25		
15"	GT1695	GT1595	GT2715	-	383.5	282.5
12.1"	GT1685	GT1585	GT2712	GT2512	302	228
10.4"	GT167□	GT157□	GT2710	GT2510	289	200
8.4"	GT166□	GT156□	GT2708	GT2508	227	176
5.7"	GT1655	GT155□	GT2705	GT2505	153	121

* The panel cutting dimensions are the same when a GOT is replaced with a model having the same screen size. When replacing a GOT with a model having a different screen size, change the panel cutting dimensions according to the table above.

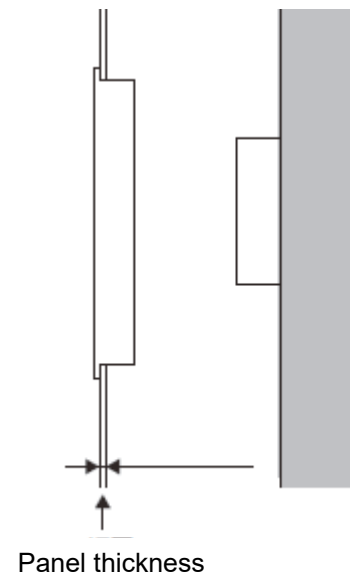
(2) Panel thickness

The thickness of the panel to which a GOT can be mounted is as follows.

Table 3-4 Panel thickness

Unit (mm)

Item	Type			
	GOT1000		GOT2000	
	GT16	GT15	GT27	GT25
Panel thickness to which a GOT can be mounted	2 to 4	2 to 4	1.6 to 4	1.6 to 4



Panel thickness

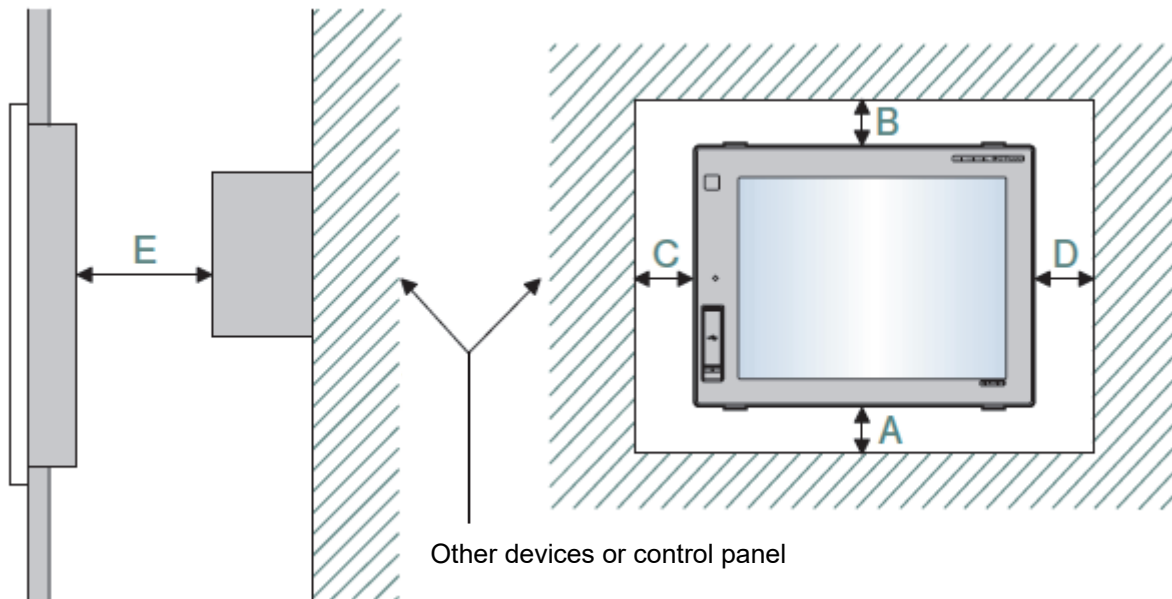
[Issue No.] GOT-A-0061-I

(3) Mounting intervals

When installing a GOT, intervals are required from other devices, as shown below.

When replacing the GOT1000 series with the GOT2000 series, mounting intervals may differ. Check the intervals thoroughly when mounting the GOT.

When installing a communication unit or option unit on the GOT after replacement of the GOT1000 series to use the multi-channel function, refer to user's manual of each communication unit and/or option for the dimension E. Depending on the units or cables used for the GOT, extra intervals larger than the described dimensions may be required. Mount the GOT with careful consideration on the connector dimensions and cable bending radius.



The following describes the difference in mounting intervals between the GOT1000 series and GOT2000 series. When mounting the GOT, follow the dimensions on the table and keep it properly away from other devices.

The values enclosed in brackets apply when no other devices generating radiated noise, such as a contactor, or heat is installed near the GOT. Even in that case, however, keep the ambient temperature of the GOT to 55°C or lower.

Besides, mounting intervals A and B differ by 2 mm between the GOT1000 series and GOT2000 series. This is because the external dimensions for GT27 and GT25 models are larger by 2 mm in the vertical (A and B) direction. However, the mounting intervals between mounted GOTs and other devices are the same.

[Issue No.] GOT-A-0061-I

1) Comparison in mounting dimensions between GT16 and GT27/GT25 models (15" and 12.1")

Table 3-5 Comparison of mounting dimensions between GT16 and GT27/GT25 models (15" and 12.1")

Unit (mm)

Item	GT16		GT27 GT25	
	GT1695M-X	GT1685M-S	GT2715	GT2712 GT2512
A	GOT only		50 or more (20 or more)	
	Bus connection unit		48 or more (18 or more)	
	Serial communication unit		48 or more (18 or more)	
	RS-422 conversion unit *5	50 or more	51 or more	-
	CC-Link communication unit (GT15-J61BT13)		48 or more (18 or more)	
	MELSECNET/H communication unit (coaxial)	50 or more (20 or more)	50 or more (24 or more)	48 or more *2 (18 or more)
	MELSECNET/H communication unit (optical)	50 or more *1 (20 or more)		48 or more *1 (18 or more)
	CC-Link IE Controller Network communication unit		48 or more (18 or more)	
	CC-Link IE Field Network communication unit		48 or more (18 or more)	
	Printer unit		48 or more (18 or more)	
	Video input unit *6		48 or more *2 (18 or more)	48 or more *2 (38 or more)
	RGB input unit *6		48 or more *3 (18 or more)	
	Video/RGB input unit *6		48 or more *2*3 (18 or more)	48 or more *2*3 (38 or more)
	RGB output unit *6		48 or more *3 (18 or more)	
	Multimedia unit *6		48 or more *2 (18 or more)	48 or more *2 (38 or more)
	External I/O unit		48 or more (18 or more)	
	Sound output unit		48 or more (18 or more)	
B			80 or more (20 or more)	
C	(When no memory card is used)		78 or more (18 or more)	
	(When a memory card is used)		50 or more (20 or more)	
D			50 or more (20 or more)	
E			50 or more (20 or more)	
			100 or more *4 (20 or more)	

*1 This value differs depending on the cable used. For details, contact your local sales office. The value indicated in the table is a reference value.

*2 This value is for when a coaxial cable 3C-2V (JIS C 3501) is used. Refer to the GOT2000 series connection manual for the device to be connected.

*3 This value differs depending on the cable used. If the bending radius of the cable used is greater than the value specified above, the dimension must follow the radius.

*4 When opening or closing the battery cover: 72 or more

*5 Cannot be used with the GOT2000 series.

*6 Cannot be used with the GT25 models.

[Issue No.] GOT-A-0061-I

2) Comparison in mounting dimensions between GT16 and GT27/GT25 models (10.4", 8.4", and 5.7")

Table 3-6 Comparison of mounting dimensions between GT16 and GT27/GT25 models (10.4", 8.4", and 5.7")
Unit (mm)

Item	GT16			GT27 GT25				
	GT1675M-S GT1675M-V GT1675-VN GT1672-VN	GT1665M-S GT1665M-V GT1662-VN	GT1655-V	GT2710 GT2510	GT2708 GT2508	GT2705	GT2505	
A	GOT only	50 or more (26 or more)	50 or more (36 or more)	61 or more	48 or more (18 or more)	48 or more (29 or more)	59 or more	50 or more (20 or more)
	Bus connection unit	50 or more (26 or more)	50 or more (36 or more)	50 or more	48 or more (18 or more)	23 or more (29 or more)	48 or more	-
	Serial communication unit	50 or more (26 or more)	50 or more (36 or more)	49 or more	48 or more (18 or more)		47 or more	-
	RS-422 conversion unit *6	63 or more	73 or more	-	-			
	CC-Link communication unit (GT15-J61BT13)	50 or more (20 or more)		50 or more (24 or more)	48 or more (18 or more)		50 or more (22 or more)	-
	MELSECNET/H communication unit (coaxial)	50 or more (33 or more)	50 or more	64 or more	48 or more *2 (45 or more)	67 or more *2	81 or more *2	-
	MELSECNET/H communication unit (optical)	50 or more *1 (20 or more)		79 or more *1	48 or more *1 (18 or more)		77 or more *1	-
	CC-Link IE Controller Network communication unit	50 or more (20 or more)		57 or more	48 or more (18 or more)		55 or more	-
	CC-Link IE Field Network communication unit	50 or more (20 or more)		57 or more	48 or more (18 or more)		55 or more	-
	Printer unit	50 or more (26 or more)	48 or more (18 or more)	50 or more (29 or more)	48 or more (18 or more)			-
	Video input unit *7	50 or more *2 (20 or more)		-	48 or more *2 (45 or more)	67 or more *2	-	-
	RGB input unit *7	50 or more *3 (20 or more)		-	48 or more *3 (18 or more)		-	-
	Video/RGB input unit *7	50 or more *2*3 (20 or more)		-	48 or more *2*3 (45 or more)	67 or more *2*3	-	-
	RGB output unit *7	50 or more *3 (20 or more)		-	48 or more *3 (18 or more)		-	-
	Multimedia unit *7	50 or more *2 (20 or more)		-	48 or more *2 (45 or more)	67 or more *2	-	-
	External I/O unit	50 or more (26 or more)	50 or more (36 or more)	50 or more	48 or more (18 or more)			-
	Sound output unit	50 or more (26 or more)	50 or more (36 or more)	50 or more	48 or more (18 or more)			-
B		80 or more (20 or more)			78 or more (18 or more)			80 or more (20 or more)
C	(When no memory card is used)	50 or more (20 or more)		50 or more *5 (20 or more)	50 or more (20 or more)			50 or more (20 or more)
	(When a memory card is used)	50 or more (20 or more)		100 or more	50 or more (20 or more)	50 or more	100 or more	
D		50 or more (20 or more)			50 or more (20 or more)			
E		100 or more (20 or more)			100 or more *4 (20 or more)			

*1 This value differs depending on the cable used. For details, contact your local sales office. The value indicated in the table is a reference value.

[Issue No.] GOT-A-0061-I

- *2 This value is for when a coaxial cable 3C-2V (JIS C 3501) is used. Refer to the GOT2000 series connection manual for the device to be connected.
- *3 This value differs depending on the cable used. If the bending radius of the cable used is greater than the value specified above, the dimension must follow the radius.
- *4 When opening or closing the battery cover: 72 or more
- *5 This value is for when no battery is used. If a battery is used, the dimension when a CF card is used is required.
- *6 Cannot be used with the GOT2000 series.
- *7 Cannot be used with GT1675-V, GT1672-V, GT1662-V, GT1655-V and GT25.

[Issue No.] GOT-A-0061-I

3) Comparison in mounting dimensions between GT15 and GT27/GT25 models (15" and 12.1")

Table 3-7 Comparison of mounting dimensions between GT15 and GT27/GT25 models (15" and 12.1")

Unit (mm)

Item	GT15		GT27 GT25	
	GT1595	GT1585	GT2715	GT2712 GT2512
A	GOT only		50 or more (20 or more)	
	Bus connection unit		48 or more (18 or more)	
	Serial communication unit		48 or more (18 or more)	
	RS-422 conversion unit *5	50 or more (20 or more)	50 or more (39 or more)	-
	Ethernet communication unit *5		-	
	CC-Link communication unit (GT15-75J61BT13-Z) *5		-	
	CC-Link communication unit (GT15-J61BT13)		48 or more (18 or more)	
	MELSECNET/10 communication unit (coaxial) *5		-	
	MELSECNET/10 communication unit (optical) *5	50 or more *1 (20 or more)	50 or more *1 (26 or more)	-
	MELSECNET/H communication unit (coaxial)		48 or more *2 (18 or more)	48 or more *2 (38 or more)
	MELSECNET/H communication unit (optical)	50 or more *1 (20 or more)	50 or more *1 (23 or more)	48 or more *1 (18 or more)
	CC-Link IE Controller Network communication unit		48 or more (18 or more)	
	CC-Link IE Field Network communication unit		48 or more (18 or more)	
	Printer unit		48 or more (18 or more)	
	Video input unit *6	-	61 or more *2 (20 or more)	48 or more *2 (18 or more)
	RGB input unit *6	-	50 or more *3 (20 or more)	48 or more *3 (18 or more)
	Video/RGB input unit *6	-	61 or more *2*3	48 or more *2*3 (18 or more)
	RGB output unit*6	-	50 or more *3 (20 or more)	48 or more *3 (18 or more)
	Multimedia unit *6	-	-	48 or more *2 (18 or more)
	External I/O unit	50 or more (20 or more)		48 or more (18 or more)
	Sound output unit	50 or more (20 or more)		48 or more (18 or more)
B			80 or more (20 or more)	
C	(When no memory card is used)	50 or more (20 or more)		50 or more (20 or more)
	(When a memory card is used)	50 or more (20 or more)		50 or more (20 or more)
D			50 or more (20 or more)	
E			100 or more (20 or more)	

*1 This value differs depending on the cable used. For details, contact your local sales office.

The value indicated in the table is a reference value.

*2 This value is for when a coaxial cable 3C-2V (JIS C 3501) is used. Refer to the GOT2000 series connection manual for the device to be connected.

*3 This value differs depending on the cable used. If the bending radius of the cable used is greater than the value specified above, the dimension must follow the radius.

*4 When opening or closing the battery cover: 72 or more

*5 Cannot be used with the GOT2000 series.

*6 Cannot be used with the GT25 models.

[Issue No.] GOT-A-0061-I

4) Comparison in mounting dimensions between GT15 and GT27/GT25 models (10.4", 8.4", and 5.7")

Table 3-8 Comparison of mounting dimensions between GT15 and GT27/GT25 models (10.4", 8.4", and 5.7")
Unit (mm)

Item	GT15			GT27 GT25			
	GT157□	GT156□	GT155□	GT2710 GT2510	GT2708 GT2508	GT2705	GT2505
A GOT only	50 or more (20 or more)	50 or more (21 or more)	49 or more	48 or more (18 or more)	48 or more (29 or more)	59 or more	50 or more (20 or more)
Bus connection unit	50 or more (35 or more)	50 or more (40 or more)	50 or more	48 or more (18 or more)	23 or more (29 or more)	48 or more	-
Serial communication unit	50 or more (20 or more)	50 or more (21 or more)	49 or more	48 or more (18 or more)		47 or more	-
RS-422 conversion unit *5	53 or more	58 or more	-	-			
Ethernet communication unit *5	50 or more (20 or more)			-			
CC-Link communication unit (GT15-75J61BT13-Z) *5	50 or more (20 or more)		-	-			
CC-Link communication unit (GT15-J61BT13)	50 or more (20 or more)		50 or more (24 or more)	48 or more (18 or more)		50 or more	-
MELSECNET/10 communication unit (coaxial) *5	50 or more (20 or more)		-	-			
MELSECNET/10 communication unit (optical) *5	50 or more *1 (43 or more)	50 or more *1 (48 or more)	-	-			
MELSECNET/H communication unit (coaxial)	50 or more (30 or more)	50 or more (35 or more)	64 or more	48 or more *2 (45 or more)	67 or more *2	81 or more *2	-
MELSECNET/H communication unit (optical)	50 or more *1 (37 or more)	50 or more *1 (42 or more)	79 or more *1	48 or more *1 (18 or more)		77 or more *1	-
CC-Link IE Controller Network communication unit	50 or more (23 or more)	50 or more (28 or more)	57 or more	48 or more (18 or more)		55 or more	-
CC-Link IE Field Network communication unit	50 or more (23 or more)	50 or more (28 or more)	57 or more	48 or more (18 or more)		55 or more	-
Printer unit	50 or more (20 or more)		50 or more (29 or more)	48 or more (18 or more)			-
Video input unit *6	75 or more *2	-	-	48 or more *2 (45 or more)	67 or more *2	-	-
RGB input unit *6	50 or more *3 (20 or more)		-	48 or more *3 (18 or more)		-	-
Video/RGB input unit *6	75 or more *2 *3	-	-	48 or more *2*3 (45 or more)	67 or more *2*3	-	-
RGB output unit *6	50 or more *3 (20 or more)		-	48 or more *3 (18 or more)		-	-
Multimedia unit *6	-	-	-	48 or more *2 (45 or more)	67 or more *2	-	-
External I/O unit	50 or more (24 or more)	50 or more (29 or more)	58 or more	48 or more (18 or more)			-
Sound output unit	50 or more (20 or more)			48 or more (18 or more)			-
B	80 or more (20 or more)			78 or more (18 or more)			80 or more (20 or more)
C (When no memory card is used)	50 or more (20 or more)			50 or more (20 or more)			50 or more (20 or more)
(When a memory card is used)	50 or more (20 or more)		100 or more	50 or more (20 or more)	50 or more	100 or more	
D	50 or more (20 or more)			50 or more (20 or more)			-
E	100 or more (20 or more)			100 or more *4 (20 or more)			-

*1 This value differs depending on the cable used. For details, contact your local sales office.

[Issue No.] GOT-A-0061-I

The value indicated in the table is a reference value.

- *2 This value is for when a coaxial cable 3C-2V (JIS C 3501) is used. Refer to the GOT2000 series connection manual for the device to be connected.
- *3 This value differs depending on the cable used. If the bending radius of the cable used is greater than the value specified above, the dimension must follow the radius.
- *4 When opening or closing the battery cover: 72 or more
- *5 Cannot be used with the GOT2000 series.
- *6 Cannot be used with the GT25 models.

[Issue No.] GOT-A-0061-I

3.1.3 Memory card insertion direction

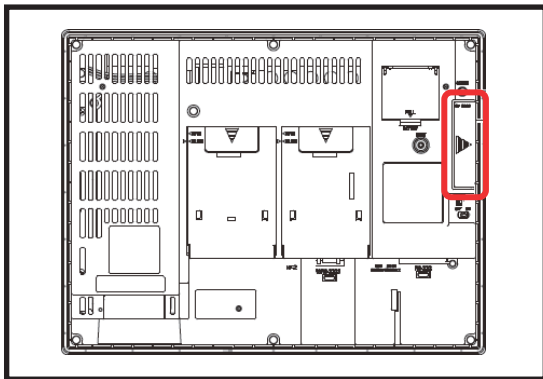
The applicable memory cards for the GOT1000 series (GT16 and GT15 models) are CF cards, and those for the GOT2000 series (GT27 and GT25 models) are SD cards. The insertion direction of the memory card differs between the GOT1000 series (from the rear) and GOT2000 series (from the side). Consider the dimensions and others at mounting.

For the details, refer to Section 3.1.2 or the GOT2000 Series User's Manual (Hardware) (SH-081194ENG).

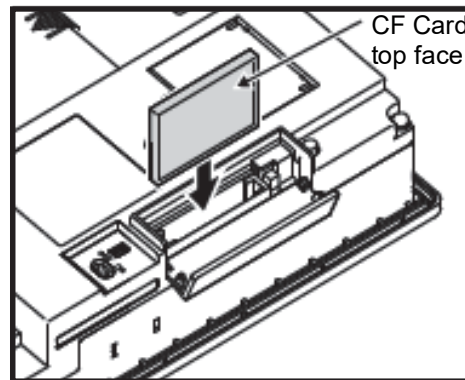
(1) GOT1000 series (CF card)

■GT1000 series (8.4" or larger model)

<Insertion position: GOT rear face>

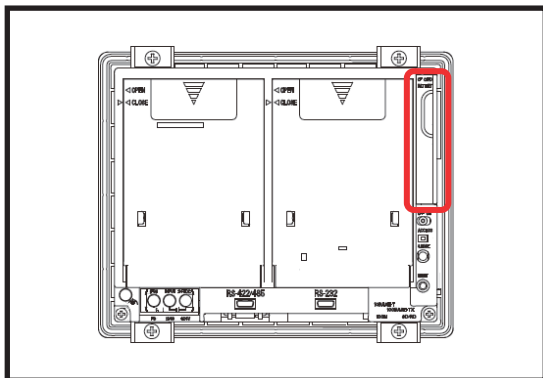


<Inserting direction>

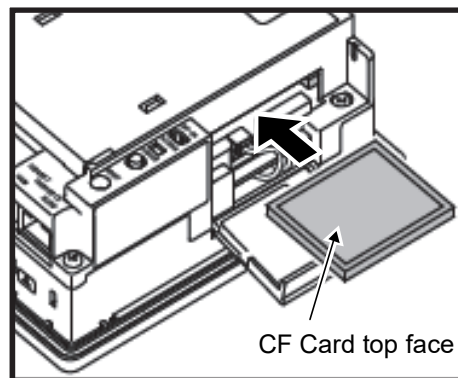


■GT1655, GT155□

<Insertion position: GOT rear face>

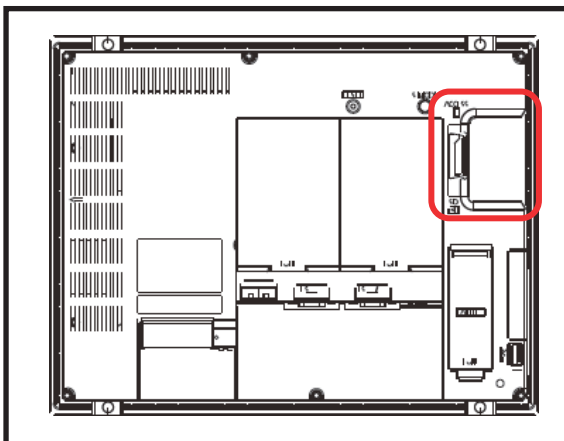


<Inserting direction>

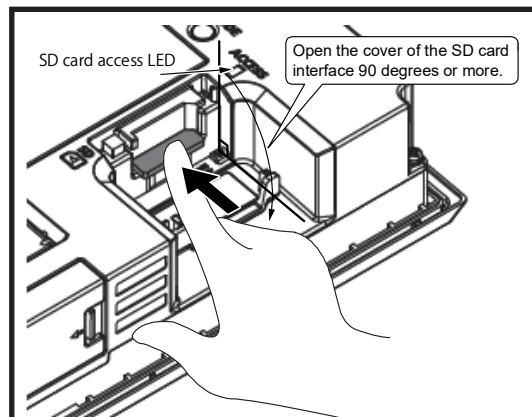


(2) GOT2000 series (SD card)

<Insertion position: GOT rear face>



<Inserting direction>



[Issue No.] GOT-A-0061-I

3.1.4 Attachment direction of the battery

The type and shape of the battery differ between the GOT1000 series (GT15-BAT for GT15 and GT16 models) and the GOT2000 series (GT11-50BAT for GT27 and GT25 models). The attachment position and direction are also changed. Consider the dimensions and others at attachment.

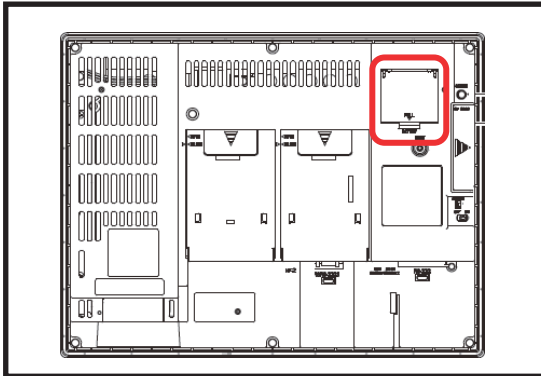
* The battery for GT1655 is GT11-50BAT; the same battery as for the GOT2000 series.

For the details, refer to the GOT2000 Series User's Manual (Hardware) (SH-081194ENG).

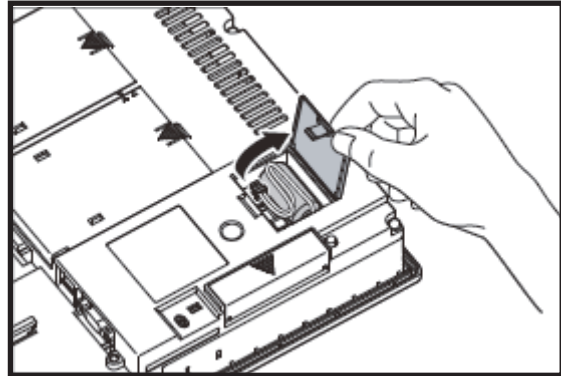
(1) GOT1000 series

- For GT1695, GT1685, GT1675, and GT1672

<Attachment position: GOT rear face>

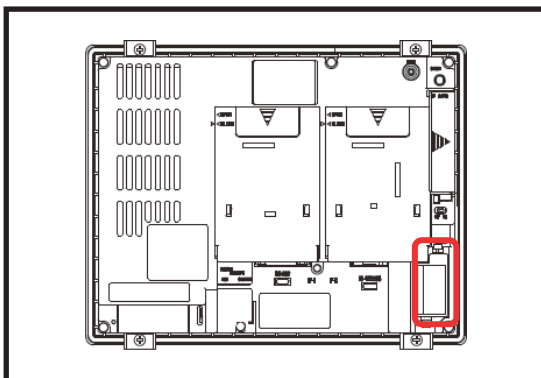


<Removal of the battery>

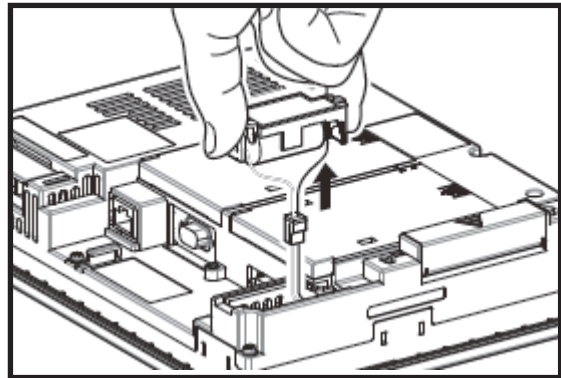


- For GT1665, GT1662

<Attachment position: GOT rear face>

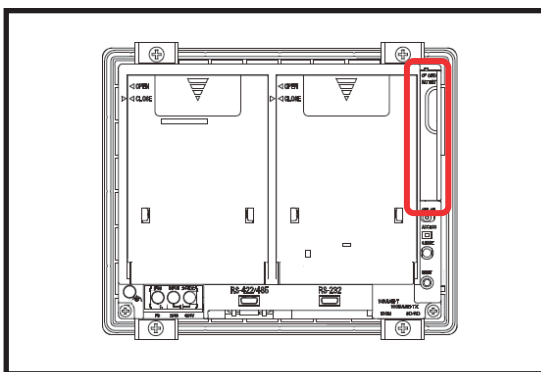


<Removal of the battery>

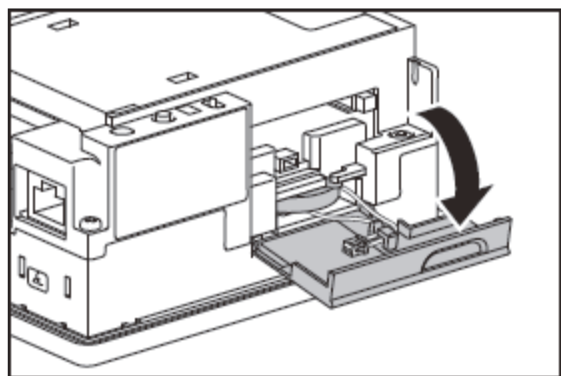


- For GT1655

< Attachment position: Inside the CF card cover at the GOT rear face >



<Removal of the battery>

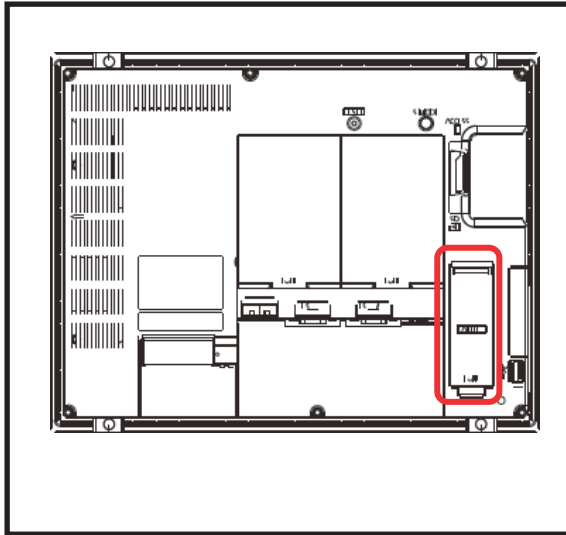


[Issue No.] GOT-A-0061-I

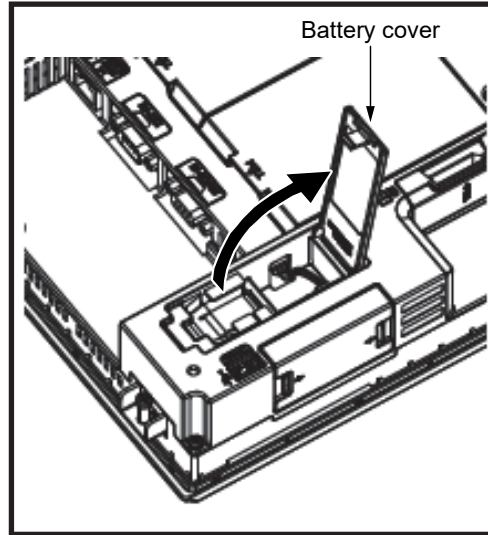
(2) GOT2000 series

- For GT2715, GT2712, GT2710, GT2512, GT2510, and GT2505

<Attachment position: GOT rear face>

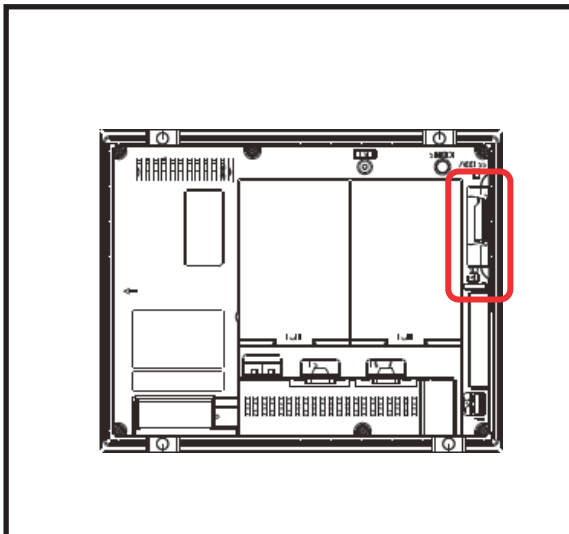


<Removal of the battery>

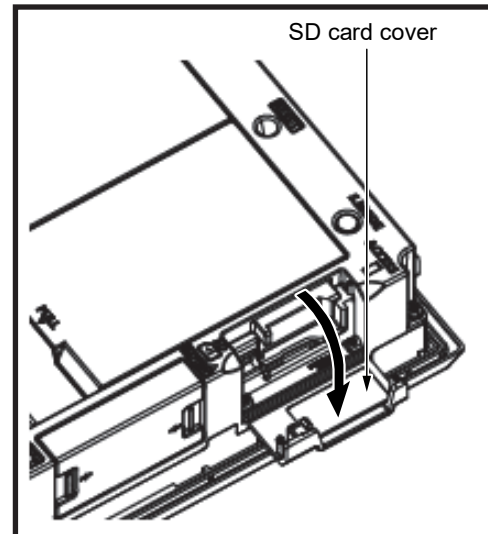


- For GT2708, GT2705, and GT2508

<Attachment position: Inside the SD card cover at the GOT rear face>



<Removal of the battery>



[Issue No.] GOT-A-0061-I

3.1.5 Comparison in utility specifications

(1) Change in the utility call key setting

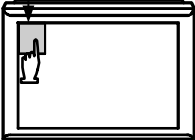
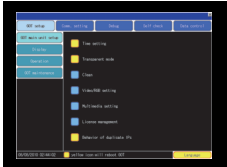
While a user-created screen is displayed, touching the utility call key displays the main menu.

Note that the default position of the utility call key and default setting of the press time differ depending on GOT models.

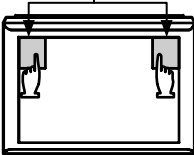
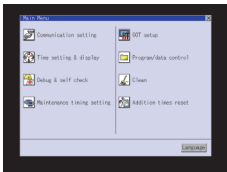
The following shows the utility call key position and the press time setting at factory default for the GOT1000 series (GT15 and GT16 models) and the GOT2000 series (GT27 and GT25 models).

The position of the utility call key and setting of the press time can be changed with the GOT utility or the screen design software GT Designer3.

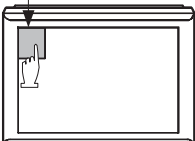
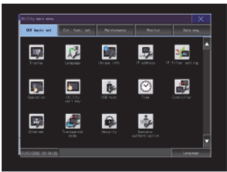
■ Default position of the utility call key for GT16 models

Model	Utility call key (factory setting)
GT16	1-point press on GOT screen upper-left corner (Press time: 0 sec.)
	<p>Utility call key 1-point touch at the upper-left corner</p>  <p>Main menu</p> 

■ Default position of the utility call key for GT15 models

Model	Utility call key (factory setting)
GT1585 GT157□ GT156□ GT155□	Simultaneous 2-point press on GOT screen upper-right and upper-left corners
	<p>Utility call key Simultaneous 2-point touch</p>  <p>Main menu</p> 

■ Default position of the utility call key for GT27 and GT25 models

Model	Utility call key (factory setting)
GT27 GT25	1-point press on GOT screen upper-left corner (Press time: 2 sec.)
	<p>Utility call key 1-point touch at the upper-left corner</p>  <p>Main menu</p> 

[Issue No.] GOT-A-0061-I

(2) Change in the utility main menu

The screen image and layout on the utility main menu have been changed as follows.

GOT1000	GOT2000
<p>[GOT setup]</p>	<p>[GOT basic set]</p>
<p>[Comm. setting]</p>	<p>[Ext. func. set]</p>

* The menu items of [GOT setup] and [Comm. setting] of the GOT1000 series are included in either [GOT basic set] or [Ext. func. set] of the GOT2000 series.

GOT1000	GOT2000
<p>[Debug]</p>	<p>[Monitor]</p>
<p>[Self check]</p>	<p>[Maintenance]</p>
<p>[Data control]</p>	<p>[Data mng.]</p>

3.1.6 Precautions for hardware replacement

The following table lists precautions for replacement of hardware of the GOT1000 series with that of the GOT2000 series.

Table 3-9 List of precautions for hardware replacement

Item	Replacing GT16 with GT27	Replacing GT15 with GT27	Replacing GT16 with GT25	Replacing GT15 with GT25
External dimensions	The vertical external dimensions of GT27 are larger by 2 mm. (GT27 can be installed as-is after the replacement because the panel cutting dimensions are the same. The mounting intervals are also the same.)			
Memory card	<ul style="list-style-type: none"> ■For data storage The CF card must be changed to an SD card. ■For multimedia unit Can be used as-is. 			
Touch panel	The touch panel mechanism is the same. However, the operational feeling (touch pressure) differs because the type is different.	The operational feeling (touch pressure) differs because the touch panel mechanism is different. *1	The touch panel mechanism is the same. However, the operational feeling (touch pressure) differs because the type is different.	The operational feeling (touch pressure) differs because the touch panel mechanism is different. *1
Touch panel "2-point press"	-	The 2-point press is available to GT27 as well as GT15 models. However, there are precautions on the arrangement of switches for 2-point press. (For the details, refer to Section 3.1.7.)	-	The 2-point press is unavailable to GT25 models.
Touch panel "2-point press prevention function"	Since GT27 models have an analog touch panel with the 2-point press function, the "2-point press prevention function" is unavailable.	-	-	-
RS-422/485 connector	Different from the GT16 dedicated connectors, GT27 models adopt the D-sub 9-pin connectors. Replacing cable connectors is necessary. The connectors of the cable are needed to be changed.	-	Different from the GT16 dedicated connectors, GT25 models adopt the D-sub 9-pin connectors. Replacing cable connectors is necessary.	-
Communication unit/option unit	Although the communication units and option units for the GOT1000 series can be used together with the GOT2000 series as-is, the video/multimedia options for the GOT1000 series must be replaced with those for the GOT2000 series. When an extension interface relay board is secured to a communication unit, remove the board from the unit. * Some communication units and option units for the GOT1000 series cannot be used together with the GOT2000 series. (For the details, refer to Section 2.3.)			
Maximum number of installable option units	For GT16 and GT15 models, up to five option units (three stages, each with two slots) can be mounted. For GT27 and GT25 models, up to three option units (three stages, each with one slot) can be mounted. *2			

*1 For GT1595, the touch panel mechanism is the same. However, the operational feeling (touch pressure) differs because the type is different.

*2 Up to three units can be mounted on GT1655 or GT155□.

* For the differences in the functions after the replacement, refer to Section 3.2.

[Issue No.] GOT-A-0061-I

3.1.7 Precautions for arrangement of a 2-point press switch

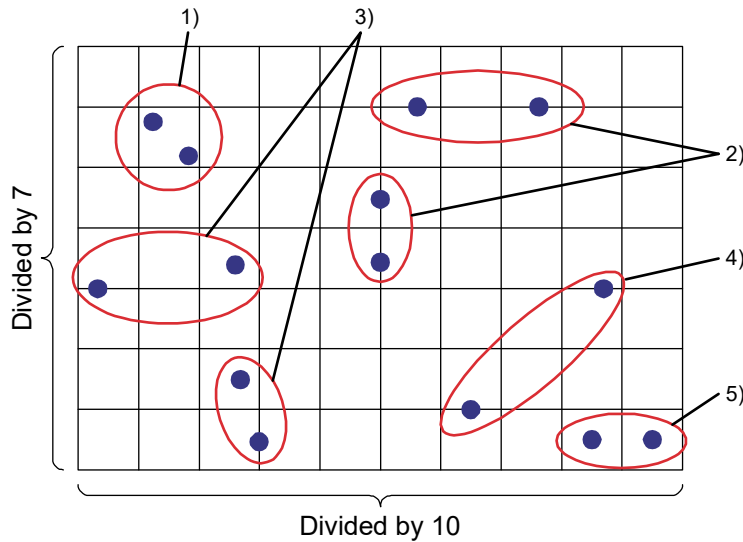
When arranging 2-point press switches for GT27 models, note the following.

(1) Arrangement of 2-point press switches

The following shows both arrangement patterns where 2-point press switches can be placed and cannot be placed.

○: 2-point press accepted ×: 2-point press not accepted

Arrangement pattern of 2-point press	Detectability	Detection of 2-point press
1) Within a cell	×	No 2-point press can be accepted. (Correct coordinates may not be detected.)
2) On the same border	×	No 2-point press can be accepted. (Regarded as not touched.)
3) On a border and within an adjacent cell of the border	×	No 2-point press can be accepted. (Regarded as not touched.)
4) On the different borders	○	2-point press can be accepted.
5) In different cells, not on borders	○	2-point press can be accepted.



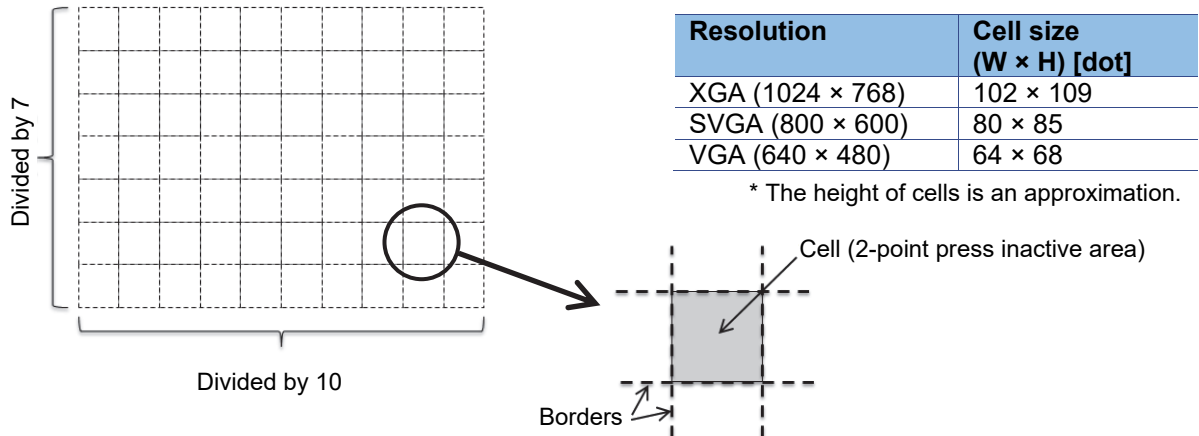
[Issue No.] GOT-A-0061-I

(2) Precautions for arrangement of the switch

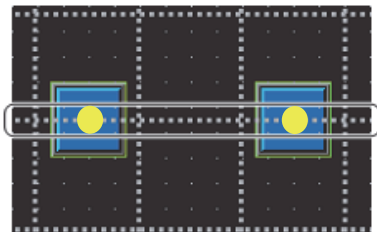
With GT27 models, the following 2-point press patterns are not accepted.

The "2-point press inactive area" can be displayed on the editor of the screen design software.

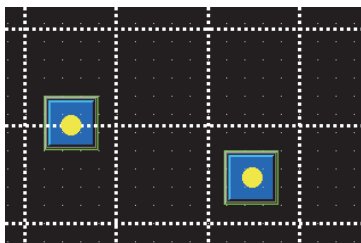
- (a) Cells defined by dividing the resolution of the display area by 7 vertically and 10 horizontally are called the "2-point press inactive area". Touching two points inside this area cannot be accepted.



- (b) If two points on a border between "2-point press inactive areas" are touched simultaneously, the touch is not detected.



- (c) If one point on a border between "2-point press inactive areas" and one point inside an adjacent cell of the border are touched simultaneously, the touch is not detected.

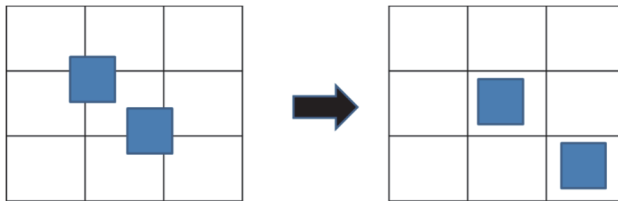


[Issue No.] GOT-A-0061-I

(3) Measures for the precautions of 2-point press

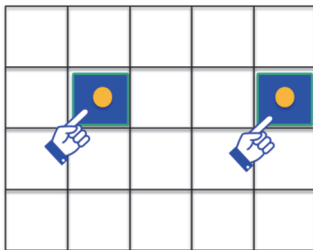
As measures for the precautions described in section (2), consider the following when placing 2-point press switches.

- Do not place two or more switches inside one "2-point press inactive area".

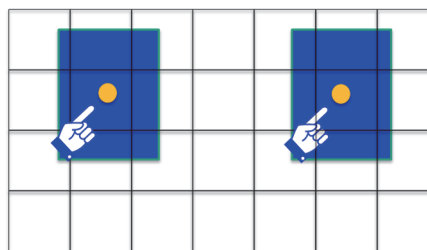


Do not place switches inside one cell.

- Place 2-point press switches inside cells so that the borders will not be touched. Or, place the largest switches possible so that each center is not on any borders.



Place switches inside cells.



Place large switches so that each center is not on any borders.

3.2 Function specifications

3.2.1 Comparison in functions

Most of the functions of the GOT1000 series can be used in the GOT2000 series; however, some functions are not supported or are integrated, or their names have been changed. For the details, refer to "Table 3-10 GOT2000 function comparison table".

For each function of the GOT2000 series, refer to the manual.

(1) Functions not supported by the GOT2000 series

- Data list display
- A list editor
- A ladder monitor
- Q/L/QnA ladder monitor * The Q/L ladder monitor is supported.
- Maintenance report
- Fingerprint authentication

(2) Integrated functions and functions with changed names

Table 3-10 List of Integrated functions and functions with changed names

Function name in GOT1000	Function name in GOT2000
ASCII display, ASCII input	Text Display/Input
Basic comment	Comment group
Comment group	
User alarm display	Simple Alarm display
Alarm history, alarm history display	User alarm observation, alarm display (user)
Advanced user alarm observation, advanced user alarm display	
Advanced system alarm observation, advanced system alarm display	System alarm observation, alarm display (system)
Advanced alarm popup display	Alarm Popup Display
Recipe	Recipe
Advanced recipe	
Status observation function	Trigger action
Trigger action	
System monitor	Device monitor
Q/L/QnA ladder monitor	Sequence program monitor (ladder) * QnACPU is not supported.
Ladder editor	
SFC monitor	Sequence program monitor (SFC)
Stroke font	Outline font

3.2.2 Detailed comparison in functions

(1) Detailed comparison in functions

The following tables shows the differences in the functions between the GOT1000 series and GOT2000 series. Also, the cautions on replacing GOT1000 -> GOT2000 are based on replacing "GOT Graphic Ver. 1".

Table 3-11 GOT2000 function comparison table

Item	Function name in GOT1000		GT16	GT15	GT27	GT25			Precautions for replacing GOT1000 series with GOT2000 series
						Standard model	GT2505	Handy model	
Shapes	Line		●	●	●	●	●	●	-
	Line Freeform		●	●	●	●	●	●	-
	Rectangle		●	●	●	●	●	●	-
	Polygon		●	●	●	●	●	●	-
	Circle (including an ellipse)		●	●	●	●	●	●	-
	Arc (including an elliptical arc)		●	●	●	●	●	●	-
	Sector		●	●	●	●	●	●	-
	Scale		●	●	●	●	●	●	-
	Piping		●	●	●	●	●	●	-
	Paint		●	●	●	●	●	●	-
	Reading image files		●	●	●	●	●	●	-
	Capture		●	●	●	●	●	●	-
	Text		●	●	●	●	●	●	-
	Logo Text		●	●	●	●	●	●	-
Text	Font	Standard Font	●	●	●	●	●	●	- Refer to Section 3.3.4(2).
		HQ font	●	●	●	●	●	●	-
		TrueType font	●	●	●	●	●	●	-
		Stroke font	●	●	●	●	●	●	-
		Windows font	●	●	●	●	●	●	- Converted into Outline font (Outline Gothic).
	KANJI region		●	●	●	●	●	●	-
Screen	Base screen		●	●	●	●	●	●	-
	Window screen	Overlap Window	●	●	●	●	●	●	-
		Superimpose Window	●	●	●	●	●	●	-
		Key window	●	●	●	●	●	●	-
	Report Screen	Report output destination (PictBridge printer)	●	●	●	●	×	×	-
		Report output destination (Serial printer)	●	●	●	●	●	×	-
		Report output destination (File)	●	●	●	●	●	●	-
Dialog window		●	●	●	●	●	●	-	

- (Without version) : Supported by GT Works3 Ver1.100E or later for GT27 models
Supported by GT Works3 Ver1.112S or later for GT25 models
- Ver1.**** : Supported by the written version
- × : Not supported by the GOT2000 series

[Issue No.] GOT-A-0061-I

Item	Function name in GOT1000	GT16	GT15	GT27	GT25			Precautions for replacing GOT1000 series with GOT2000 series			
					Standard model	GT2505	Handy model				
Common Setting	GOT Environmental Setting	Screen Switching/Window	•	•	•	•	•	•	-		
		Language Switching	•	•	•	•	•	•	•	-	
		Dialog window	•	•	•	•	•	•	•	-	
		Key window	•	•	•	•	•	•	•	-	
		System information	•	•	•	•	•	•	•	-	
		Security	Password authentication	•	•	•	•	•	•	•	-
			Operator authentication	•	•	•	•	•	•	•	-
		Operation Log	•	•	•	•	•	•	•	-	
		KANA-KANJI Conversion	•	•	•	•	•	•	•	-	
						Ver1.105K or later					
		Startup Logo	•	•	•	•	•	•	•	-	
		GOT Setup	Display/Operation	Clock Setting	•	•	•	•	•	•	-
				Ladder monitor	•	•	•	•	•	•	- For the details, refer to the "Q/L/QnA ladder monitor " field.
			Transparent	•	•	•	•	•	•	- Modem connection and RS-232 connection between the GOT and a personal computer are not supported.	
			Backup/Restore	•	•	•	•	•	•	- GT Designer3 Version1.108N or later supports the backup/restore function for robot controllers. - Refer to Section 3.3.4(6).	
			USB host	•	•	•	•	•	•	-	
			SoftGOT-GOT Link	•	•	•	•	•	•	- Refer to Section 3.3.4(6).	
Common Setting	Controller setting	CH(Channel Setting)	•	•	•	•	•	•	-		
		Ethernet	•	•	•	•	•	•	•	-	
		Routing Information	•	•	•	•	•	•	•	-	
		Getaway	Setting communication	•	•	•	•	•	•	•	-
			Getaway Server	•	•	•	•	•	•	•	-
			Getaway Client	•	•	•	•	•	•	•	-
			Mail	•	•	•	•	•	•	•	-
			FTP Server	•	•	•	•	•	•	•	-
		File transfer (FTP client)	•	•	•	•	•	•	•	- The menu name is changed from [File transfer (FTP client) function] to [File Transfer].	
		Q Redundant	•	•	•	•	•	•	•	- After GT Designer3 Version1.160S, the menu name is changed to [MELSEC Redundant]. - Refer to Section 3.3.4 (10).	
Station No. Switching	•	•	•	•	•	•	•	-			
Buffer memory unit No. switching	•	•	•	•	•	•	•	-			
				Ver1.122C or later	Ver1.122C or later						

- (Without version) : Supported by GT Works3 Ver1.100E or later for GT27 models
Supported by GT Works3 Ver1.112S or later for GT25 models
- Ver1.**** : Supported by the written version
- × : Not supported by the GOT2000 series

Item	Function name in GOT1000		GT16	GT15	GT27	GT25			Precautions for replacing GOT1000 series with GOT2000 series
						Standard model	GT2505	Handy model	
Peripheral settings Common Setting	PC (Data Transfer)		●	●	●	●	●	●	- Modem connection and RS-232 connection between the GOT and a personal computer are not supported.
	Bar Code		●	●	●	●	●	●	-
	RFID		●	●	●	●	●	●	-
	PC Remote Operation	Remote personal computer operation (Serial)	●	●	●	●	●	●	- This function is not supported by the following model. GT2705-V
		Remote personal computer operation (Ethernet)	●	×	●	●	●	●	- Purchase separately since the license is different.
	VNC Server		●	×	●	●	●	●	- Purchase separately since the license is different.
	Fingerprint Authentication		●	●	×	×	×	×	- Since it is not supported by the GOT2000 series, the setting is deleted.
	Video/RGB Input	Video Display function	●	●	●	×	×	×	- This function is not supported by the following model. GT2705-V
		RGB Display function	●	●	●	×	×	×	- This function is not supported by the following model. GT2705-V
	Multimedia		●	×	●	×	×	×	- This function is not supported by the following model. GT2705-V
	Operation Panel	Operation panel/External I/O	●	●	● Ver1.108N or later	●	×	×	-
	RGB Output		●	●	●	×	×	×	- This function is not supported by the following model. GT2705-V
	CF Card Unit		●	●	×	×	×	×	- Since it is not supported by the GOT2000 series, the setting is deleted.
	Printer	PictBridge	●	●	● Ver1.105K or later	●	×	×	- Refer to the "Report screen" field or "Hard copy" field in this table.
		Serial	●	●	● Ver1.105K or later	●	●	×	- Refer to the "Report screen" field or "Hard copy" field in this table.
Sound output		●	●	●	●	×	×	-	
Common Setting	I/F Communication Setting		●	●	●	●	●	●	- Refer to the "Maximum number of installable option units" field of Table 3-9 in Section 3.1.6.
	Comment	Basic comment	●	●	●	●	●	●	- Replaced with [Comment Group].
Comment group		●	●	●	●	●	●	- [Basic Comment] is replaced with the comment group No. 256. The KANJI region is "Japanese".	

- (Without version) : Supported by GT Works3 Ver1.100E or later for GT27 models
Supported by GT Works3 Ver1.112S or later for GT25 models
- Ver1.**** : Supported by the written version
- × : Not supported by the GOT2000 series

[Issue No.] GOT-A-0061-I

Item	Function name in GOT1000		GT16	GT15	GT27	GT25			Precautions for replacing GOT1000 series with GOT2000 series
						Standard model	GT2505	Handy model	
Common Setting	Alarm	Advanced alarm common	•	•	•	•	•	•	- [Advanced Alarm Common] is replaced with [Alarm Common Setting].
		Advanced user alarm observation	•	•	•	•	•	•	- Unified with [Alarm history] and replaced with [User alarm observation]. - Replaced with [Time (hh:mm)] when [Text] is set as the date/time format for [Occurred], [Restored], and [Checks] of the displayed items in [Alarm History Display]. - When [CREATE A CSV FILE SIMULTANEOUSLY] is selected in [Alarm History], set the setting again in [Alarm Common Setting] of [User Alarm Observation] with GOT2000.
		Advanced system alarm observation	•	•	•	•	•	•	- Replaced with [System Alarm Observation].
		Advanced alarm popup display	•	•	•	•	•	•	- [Advanced alarm popup display] is replaced with [Alarm Popup Display].
		Alarm history	•	•	•	•	•	•	- Unified with [Advanced user alarm observation] and replaced with [User Alarm Observation]. For the details, refer to the "Advanced user alarm observation" field.
	Logging	•	•	•	•	•	•	- The format of logging file (CSV/Unicode text) is different.	

- (Without version) : Supported by GT Works3 Ver1.100E or later for GT27 models
Supported by GT Works3 Ver1.112S or later for GT25 models
- Ver1.**** : Supported by the written version
- × : Not supported by the GOT2000 series

[Issue No.] GOT-A-0061-I

Item	Function name in GOT1000		GT16	GT15	GT27	GT25			Precautions for replacing GOT1000 series with GOT2000 series
						Standard model	GT2505	Handy model	
Common Setting	Recipe	Advanced Recipe Common	•	•	•	•	•	•	- Replaced with [Recipe Common Setting], which is equivalent to [Advanced Recipe Common] of GOT1000.
		Advanced recipe	•	•	•	•	•	•	- Replaced with [Recipe], which is equivalent to the advanced recipe of GOT1000. - The number of advanced recipe of GOT1000 is replaced with those with the same recipe number in GOT2000. - The recipe number used in GOT1000 is replaced with the recipe number after the advanced recipe number used in GOT1000. - The following function is not supported. - Creating a recipe file automatically if no recipe file is found at startup - Specifying the file register name - The recipe file of GOT1000 can be used with GOT2000 of the following version or later. When using GOT2000 with the version earlier than the following, change the format into the one for GOT2000. For the details, refer to Section 3.2.2(2). GT Designer3 Version1.112S
		Recipe	•	•	•	•	•	•	- Replaced with [Recipe], which is equivalent to the advanced recipe of GOT1000. - The number of advanced recipe of GOT1000 is replaced with those with the same recipe number in GOT2000. - The recipe number used in GOT1000 is replaced with the recipe number after the advanced recipe number used in GOT1000. - The following function is not supported. - Creating a recipe file automatically if no recipe file is found at startup - Specifying the file register name

- (Without version) : Supported by GT Works3 Ver1.100E or later for GT27 models
 Supported by GT Works3 Ver1.112S or later for GT25 models
- Ver1.**** : Supported by the written version
- × : Not supported by the GOT2000 series

[Issue No.] GOT-A-0061-I

Item	Function name in GOT1000		GT16	GT15	GT27	GT25			Precautions for replacing GOT1000 series with GOT2000 series
						Standard model	GT2505	Handy model	
Common Setting	Script	Project script	•	•	•	•	•	•	[Precautions] - The setting of [Cancel internal device (GD/GB) assignment delay] will be deleted. In GOT2000, the result of assignment of internal devices (GD/GB) is reflected immediately regardless of the setting in GOT1000 - [Perform script initial operation (screen/object) only when switching screens] is added to GOT2000. The setting will be replaced as follows. When using GT Designer3 Version1.103H or earlier: Checked When using GT Designer3 Version1.105K or later: Not checked (compatible with GOT1000) - The trigger type of a script is replaced as shown below. • [Ordinary] → [Sampling] (Cycle time: 100 ms) • [ON] → [ON Sampling] (Cycle time: 100 ms) • [OFF] → [OFF Sampling] (Cycle time: 100 ms) - If you perform a bitwise operation on the device with a signed data type, the operation result may differ from that of GOT1000. If you perform a bitwise operation on a device with a signed data type, an unexpected value may result. Set an unsigned data type for the target device of a bitwise operation.
		Screen script	•	•	•	•	•	•	

- (Without version) : Supported by GT Works3 Ver1.100E or later for GT27 models
Supported by GT Works3 Ver1.112S or later for GT25 models
- Ver1.**** : Supported by the written version
- x : Not supported by the GOT2000 series

[Issue No.] GOT-A-0061-I

Item	Function name in GOT1000		GT16	GT15	GT27	GT25			Precautions for replacing GOT1000 series with GOT2000 series
						Standard model	GT2505	Handy model	
Common Setting	Script	Object Script	●	●	●	●	●	●	<ul style="list-style-type: none"> - [Perform script initial operation (screen/object) only when switching screens] is added to GOT2000. The setting will be replaced as follows. <ul style="list-style-type: none"> When using GT Designer3 Version1.103H or earlier: Checked When using GT Designer3 Version1.105K or later: Not checked (compatible with GOT1000) - If you perform a bitwise operation on the device with a signed data type, the operation result may differ from that of GOT1000. If you perform a bitwise operation on a device with a signed data type, an unexpected value may result. Set an unsigned data type for the target device of a bitwise operation.
	Device data transfer		●	●	●	●	●	●	-
	Status observation		●	●	●	●	●	●	-
	Trigger action		●	●					<ul style="list-style-type: none"> - Unified with [Status observation function] and replaced with [Trigger action]. - Because the trigger action has no [Observation Cycle] setting, the setting is replaced with one of [ON Sampling], [OFF Sampling], and [Ordinary] in the [Trigger Type] setting when the [Observation Cycle] setting has been set. Thus, the action timing in the first cycle may change.
	Time action		●	●	●	●	●	●	-
	Hard copy	PictBridge	●	●	●	●	×	×	-
		File	●	●	●	●	×	×	-
	MES Interface		●	●	●	●	●	●	<ul style="list-style-type: none"> - Purchase separately since the license is different. - When the [Synchronize using SNTP] function is used, setting in GOT1000 will be deleted. Set the setting again in [GOT Setup]. - Database "Wonderware Historian" is not supported. When "Wonderware Historian" is used, it is converted into "Oracle 9i".
	Parts		●	●	●	●	●	●	-
	Sound		●	●	●	●	×	×	-

- (Without version) : Supported by GT Works3 Ver1.100E or later for GT27 models
Supported by GT Works3 Ver1.112S or later for GT25 models
- Ver1.**** : Supported by the written version
- × : Not supported by the GOT2000 series

[Issue No.] GOT-A-0061-I

Item	Function name in GOT1000	GT16	GT15	GT27	GT25			Precautions for replacing GOT1000 series with GOT2000 series	
					Standard model	GT2505	Handy model		
Object	Switches	●	●	●	●	●	●	<ul style="list-style-type: none"> - The special function switches that GOT2000 does not support are replaced with [Utility]. - When multiple actions have been set on a switch and no device has been set to one of the actions in the [Action] tab, touching the switch may not perform actions after the action to which no device has been set. - The [Character Code] setting of key code switches is replaced as follows. When using GT Designer3 Version1.106L or earlier: "ASCII" When using GT Designer3 Version1.108N or later: "Not specify" (compatible with GOT1000) 	
	Lamp	●	●	●	●	●	●	<ul style="list-style-type: none"> - The [Use Image Transparent] setting for when objects registered in the library are used will be deleted. Transparent color is effective in GOT2000 regardless of the settings in GOT1000. 	
	Numerical Display/Input	●	●	●	●	●	●	<ul style="list-style-type: none"> - The rounding setting of real numbers is replaced as follows. When using GT Designer3 Version1.105K or earlier: "Round down" When using GT Designer3 Version1.106L or later: "Round off" (compatible with GOT1000) 	
	Ascii Display/Input	●	●	●	●	●	●	<ul style="list-style-type: none"> - Replaced with [Text Display] or [Text Input]. 	
	List display	Data list display	●	●	×	×	×	×	<ul style="list-style-type: none"> - Not supported by GOT2000.
		Historical Data List Display	●	●	●	●	●	●	-
		Date/Time Display	●	●	●	●	●	●	-

- (Without version) : Supported by GT Works3 Ver1.100E or later for GT27 models
Supported by GT Works3 Ver1.112S or later for GT25 models
- Ver1.**** : Supported by the written version
- × : Not supported by the GOT2000 series

[Issue No.] GOT-A-0061-I

Item	Function name in GOT1000		GT16	GT15	GT27	GT25			Precautions for replacing GOT1000 series with GOT2000 series	
						Standard model	GT2505	Handy model		
Object	Comment Display	Comment display (bit)	●	●	●	●	●	●	<ul style="list-style-type: none"> - When [16dot HQ Mincho] or [16dot HQ Gothic] is specified for comment display (bit), the setting is replaced as follows. - When the text size (width × height) is any of 0.5, 1, 3, 5, or 7: The font selected in [16dot Standard Font] in the type setting of GOT1000. 2, 4, 6, or 8: [16dot HQ Mincho] - When [12dot Standard], [16dot Standard (Mincho)], or [16dot Standard (Gothic)] is specified for comment display (bit), displayed in the standard font regardless of the HQ setting of the comment group. 	
		Comment display (word)	●	●	●	●	●	●		<ul style="list-style-type: none"> - When [12dot Standard], [16dot Standard (Mincho)], or [16dot Standard (Gothic)] is specified for comment display (bit), displayed in the standard font regardless of the HQ setting of the comment group.
		Comment display (simple)	●	●	●	●	●	●		
	Alarm	Advanced user alarm display	Advanced user alarm display	●	●	●	●	●	●	<ul style="list-style-type: none"> - Unified with [Alarm history display] and replaced with [Alarm Display(User)]. - Replaced with [Time (hh:mm)] when [Text] is set as the date/time format for [Occurred], [Restored], and [Checks] of the displayed items in [Alarm History Display]. - Replaced with [Alarm Display(System)]. - Unified with [Advanced user alarm display] and replaced with [Alarm Display(User)]. For the details, refer to the "Advanced user alarm display" field.
			Advanced system alarm display	●	●	●	●	●	●	
			Alarm history display	●	●	●	●	●	●	

- (Without version) : Supported by GT Works3 Ver1.100E or later for GT27 models
Supported by GT Works3 Ver1.112S or later for GT25 models
- Ver1.**** : Supported by the written version
- × : Not supported by the GOT2000 series

[Issue No.] GOT-A-0061-I

Item	Function name in GOT1000		GT16	GT15	GT27	GT25			Precautions for replacing GOT1000 series with GOT2000 series
						Standard model	GT2505	Handy model	
Object	Alarm	User alarm display	•	•	•	•	•	•	- Replaced with [Simple Alarm Display]. - [Rise], [Fall], and [Sampling] of the trigger type setting are replaced with [Ordinary]. - Text alignment of the comment setting (multiple rows) will be deleted. Text are aligned left in GOT2000 regardless of the setting of GOT1000. - [Store Memory] is not supported. When [Store Memory] is used, replace it with [User Alarm Observation] or [Alarm Display(User)].
		System Alarm Display	•	•	•	•	•	•	-
	Graph	Level	•	•	•	•	•	•	-
		Panel Meter	•	•	•	•	•	•	- [Top 1/4], [Bottom 1/4], [Left 1/4], and [Right 1/4] are replaced with [Top 1/6], [Bottom 1/6], [Left 1/6], and [Right 1/6] respectively. The display size is not changed.
		Line Graph	•	•	•	•	•	•	- [Locus] is not supported.
		Trend Graph	•	•	•	•	•	•	- Replaced with [Historical Trend Graph] or [Logging] when [Store Memory] is set. However, this function will be deleted when the number of logging settings exceeds the upper limits.
		Bar Graph	•	•	•	•	•	•	-
		Statistics Bar Graph	•	•	•	•	•	•	-
		Statistics per screen	•	•	•	•	•	•	-
		Scatter Graph	•	•	•	•	•	•	- For the scatter graph in which "Store Memory" is set and the trigger type of the display condition is other than "Ordinary", the data is not collected and displayed until the display condition is satisfied after the GOT starts.
	Historical Trend Graph	•	•	•	•	•	•	-	
	Parts Display		•	•	•	•	•	•	- When [Fixed Parts Display] is used, [Rise] and [Fall] are replaced with [ON] and [OFF].

- (Without version) : Supported by GT Works3 Ver1.100E or later for GT27 models
Supported by GT Works3 Ver1.112S or later for GT25 models
- Ver1.**** : Supported by the written version
- × : Not supported by the GOT2000 series

[Issue No.] GOT-A-0061-I

Item	Function name in GOT1000	GT16	GT15	GT27	GT25			Precautions for replacing GOT1000 series with GOT2000 series
					Standard model	GT2505	Handy model	
Object	Parts movement	●	●	●	●	●	●	-
	Document Display	●	●	●	●	●	●	-
	Set Overlay Screen	●	●	●	●	●	●	-
	Window Position	●	●	●	●	●	●	-
	Key Window Object	●	●	●	●	●	●	-
	Print	Numerical Print	●	●	● Ver1.105K or later	●	●	●
Bit Comment Print		●	●	● Ver1.105K or later	●	●	●	- Refer to the "Report screen" field.
Word Comment Print		●	●	● Ver1.105K or later	●	●	●	- Refer to the "Report screen" field.
GOT function	Offset	●	●	●	●	●	●	- Refer to Section 3.3.4 (8).
	2-point press (multi-touch)	×	●	●	×	×	×	- There are precautions on the arrangement of switches for 2-point press. For the details, refer to Section 3.1.7.
Debug function	Device Monitor Function	●	●	●	●	●	●	- Replaced with [Device monitor]. - The display method for device comments is the same as the one for the sequence program monitor.
	MELSEC-A List Editor Function	●	●	×	×	×	×	- Not supported by GOT2000. - The special function switch [MELSEC-A LIST EDITOR] is replaced with [Utility].
	MELSEC-FX List Editor Function	●	●	●	●	●	●	-
	SFC monitor function	●	●	●	●	●	●	- Replaced with [Sequence program monitor (SFC)]. - GT Designer3 Version1.103H or later version supports the sequence program monitor (SFC) function for QnUDVCPU.
	Motion SFC monitor Function	●	●	●	●	●	●	- GT Designer3 Version1.103H or later version supports the motion SFC monitor function for Q170MSCPU(-S1).
	Ladder Editor Function	●	●	●	●	●	●	- Replaced with [Sequence program monitor (Ladder)]. - Refer to Section 3.3.4(6).

- (Without version) : Supported by GT Works3 Ver1.100E or later for GT27 models
Supported by GT Works3 Ver1.112S or later for GT25 models
- Ver1.**** : Supported by the written version
- × : Not supported by the GOT2000 series

[Issue No.] GOT-A-0061-I

Item	Function name in GOT1000	GT16	GT15	GT27	GT25			Precautions for replacing GOT1000 series with GOT2000 series
					Standard model	GT2505	Handy model	
Debug function	Ladder monitor Function	●	●	●	●	●	●	<ul style="list-style-type: none"> - When QnACPU, ACPU, QCPU (A mode), QSCPU, motion controller CPU (A series), or CNC C6/C64 is connected <ul style="list-style-type: none"> • Not supported by GOT2000. • The special function switch [Ladder Monitor] is replaced with [Sequence program monitor (Ladder)], but the ladder programs of the above controllers cannot be displayed. - When QCPU, LCPU, motion controller (Q series), or CNC C70 is connected <ul style="list-style-type: none"> • The special function switch [Ladder Monitor] is replaced with [Sequence program monitor (Ladder)], but the ladder programs of QnPHCPU or QnUDPVCPU cannot be displayed. - A label-containing project created with GX Works2 is not supported. - [C:Built-in Flash Memory] cannot be specified as the data save location in [Ladder Monitor] of [GOT Setup]. - The priority comment setting in [Ladder Monitor] of [GOT Setup] is not supported. - Refer to Section 3.3.4(6). - When FXCPU is connected <ul style="list-style-type: none"> • The special function switch [Ladder Monitor] is replaced with [Sequence program monitor (Ladder)]. Set [FX Ladder Monitor] again.
	Intelligent module monitor Function	●	●	●	●	●	●	-
	Q motion monitor Function	●	●	●	●	●	●	-
	Servo amplifier monitor Function	●	●	●	●	●	●	-
	Network monitor Function	●	●	●	●	●	●	-
	CNC monitor Function	●	●	● Ver1.117X or later	● Ver1.122C or later	×	×	-
	CNC data I/O Function	●	●	● Ver1.117X or later	● Ver1.122C or later	×	×	-
CNC Machining Program Edit Function	●	●	● Ver1.117X or later	● Ver1.122C or later	×	×	-	

- (Without version) : Supported by GT Works3 Ver1.100E or later for GT27 models
Supported by GT Works3 Ver1.112S or later for GT25 models
- Ver1.**** : Supported by the written version
- × : Not supported by the GOT2000 series

[Issue No.] GOT-A-0061-I

Item	Function name in GOT1000	GT16	GT15	GT27	GT25			Precautions for replacing GOT1000 series with GOT2000 series
					Standard model	GT2505	Handy model	
Debug function	Backup/Restore Function	●	●	●	●	●	●	- For the details, refer to the "Backup/Restore" field in "GOT environment setting".
	MELSEC-L Troubleshooting Function	●	×	●	●	●	●	-
	Log viewer function	●	×	●	●	●	●	-
	Maintenance report	●	●	×	×	×	×	- Not supported by GOT2000. - The special function switch [Maintenance Report] is replaced with [Utility].
	Motion Program (SV43) Editor	●	×	×	×	×	×	- Not supported by GOT2000. - The special function switch [Motion Program (SV43) Editor] is replaced with [Utility].
	Motion Program (SV43) I/O	●	×	×	×	×	×	- Not supported by GOT2000. - The special function switch [Motion Program (SV43) Input/Output] is replaced with [Utility].

●(Without version) : Supported by GT Works3 Ver1.100E or later for GT27 models
Supported by GT Works3 Ver1.112S or later for GT25 models

●Ver1.**** : Supported by the written version

× : Not supported by the GOT2000 series

[Issue No.] GOT-A-0061-I

(2) Recipe files (CSV/Unicode text) of the recipe and advanced recipe
 The format of the recipe files (CSV/Unicode text) differs between the GOT1000 series and GOT2000 series.
 When using a recipe file (CSV/Unicode text) for the GOT1000 series in the GOT2000 series, change the format into the one for the GOT2000 series.

- 1) For the recipe
 - (a) Convert the project data into the GOT2000 series project data, and execute the recipe.
 - (b) A recipe file for the GOT2000 series (CSV/Unicode text) is created in the specified drive.
 - (c) Copy the device values in the recipe file for the GOT1000 series onto the corresponding section in the recipe file for the GOT2000 series.

- GOT1000 recipe file

:DATE	2014/1/31 12:38 PM
:GROUP No.	1
:GROUP NAME	RECIPE1
:DEVICE	8
ITEM NAME	VALUE
	234
	421
	52
	-23
	534
	-3
	32
	0

Copy and paste these values onto the GOT2000 recipe file.

- GOT2000 recipe file (number of records: 1)

:GT2K_RECIPE	0				
:RECIPE_ID	1				
:RECIPE_NAME	RECIPE1				
:DEVICE_NUM	8				
:RECORD_NUM	1				
:DATE_ORDER	YYYY/MM/DD hh:mm:ss				
:LOCAL_TIME	GMT+09:00				
:TIME_INF_ORDER	L				
	DEV_COMMENT	DEV_TYPE	DISP_TYPE	DEV_SIZE	1
:RECORD_NAME					
:RECORD_ATTR					
:UPDATE					2014/1/31 12:38 PM
1		BIN16	DEC		234
2		BIN16	DEC	1	421
3		BIN16	DEC	1	52
4		BIN16	DEC	1	-23
5		BIN16	DEC	1	534
6		BIN16	DEC	1	-3
7		BIN16	DEC	1	32
8		BIN16	DEC	1	0

[Issue No.] GOT-A-0061-I

2) For the advanced recipe

- (a) Convert the project data into the GOT2000 series project data, and execute the recipe.
- (b) A recipe file for the GOT2000 series (CSV/Unicode text) is created in the specified drive.
- (c) Copy the device values in the recipe file for the GOT1000 series onto the corresponding section in the recipe file for the GOT2000 series.
- (d) When using the file in the GOT, convert the file format from CSV/Unicode text to binary in either of the following procedure.
 - Utility of the GOT - GT Designer3 (GOT2000) - Data Transfer Tool

- GOT1000 advanced recipe file (number of records: 2)

:ARECIPE						
:ARECIPE_No	1					
:ARECIPE_NAME	RECIPE1					
:DEVICE_NUM	8					
:RECORD_NUM	2					
	DEV_COMMENT	DEV_TYPE	DISP_TYPE	DEV_SIZE	1	2
:RECORD_NAME					PRO1	PRO2
:RECORD_ATTR					P	
:UPDATE					2014/1/31 10:30:15	2014/1/31 10:30:15
1	STD A	BIN16	DEC	2	454	400
2	CNT1	BIN16	UNSIGNED_DEC	2	10000	40000
3	LINE A	BIN16	DEC	2	10000	40000
4	LINE B	BIN16	DEC	2	10000	40000
5	LINE C	BIN16	DEC	2	10000	40000
6	CNT2	BIN32	DEC	4	120000000	200000000
7	TARGET1	BIN32	DEC	4	100000000	500000000
8	TARGET2	BIN32	UNSIGNED_DEC	4	200000000	600000000

- GOT2000 recipe file

:GT2K_RECIPE	0					
:RECIPE_ID	1					
:RECIPE_NAME	RECIPE1					
:DEVICE_NUM	8					
:RECORD_NUM	2					
:DATE_ORDER	YYYY/MM/DD hh:mm:ss					
:LOCAL_TIME	GMT+09:00					
:TIME_INF_ORDER	L					
	DEV_COMMENT	DEV_TYPE	DISP_TYPE	DEV_SIZE	1	2
:RECORD_NAME					PRO1	PRO2
:RECORD_ATTR					P	
:UPDATE					2014/1/31 10:30:15	2014/1/31 10:30:15
1	STD A	BIN16	DEC	1	454	400
2	CNT1	BIN16	UNSIGNED_DEC	1	10000	40000
3	LINE A	BIN16	DEC	1	10000	40000
4	LINE B	BIN16	DEC	1	10000	40000
5	LINE C	BIN16	DEC	1	10000	40000
6	CNT2	BIN32	DEC	2	120000000	200000000
7	TARGET1	BIN32	DEC	2	100000000	500000000
8	TARGET2	BIN32	UNSIGNED_DEC	2	200000000	600000000

[Issue No.] GOT-A-0061-I

[Precautions]

When the recipe file conversion is started on the GOT2000 series, the following signals are not automatically turned off.

- Recipe-shared Write Completed signal
- Recipe-shared Read Completed signal

If you configure the setting to turn off the Recipe-shared Write Completed signal and Recipe-shared Read Completed signal when the recipe file conversion is started in the GOT1000 series, perform the following operation.

- Add an operation to the converted project data so that the Recipe-shared Write Completed signal and Recipe-shared Read Completed signal are turned off when the trigger condition to convert the recipe file is satisfied.

3.3 Screen design software specifications

The project data used in the GOT1000 series can be converted into the project data for the GOT2000 series, and can be used as-is.

[Precautions]

This explanation is based on GT Works3 Version1.153H.

Once the project data is converted for the GOT2000 series, it cannot be converted back into the project data for the GOT1000 series.

3.3.1 Preparation before converting the project data

Install the following software into the personal computer in advance.

(1) When reading the project data for the GOT1000 series from a GOT
Install GT Designer3 (GOT1000) (GT Works3 Version1.153H or later) or Data Transfer Tool.

* Not necessary if any project data already exists in the personal computer.

(2) When converting the project data for the GOT2000 series
Install GT Designer3 (GOT2000) (GT Works3 Version1.153H or later).

For how to install the software, refer to the following.

- GT Works3 Installation Instructions (DVD version) (BCN-P5999-0066)

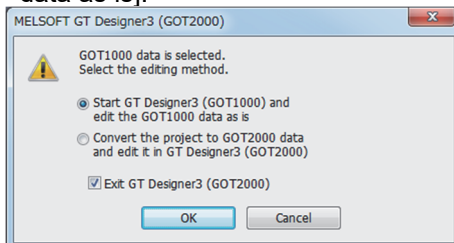
3.3.2 Procedure for the project data conversion

1) When the data exists on the personal computer, check the storage location of the project data for the GOT1000 series.

When no data exists on the personal computer, connect the personal computer to the GOT1000 series, and read and save the project data using GT Designer3 (GOT1000) or Data Transfer Tool.

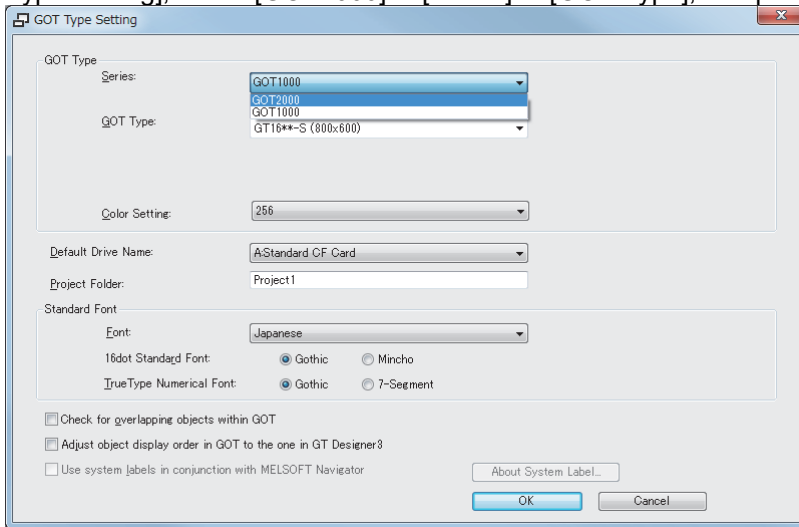
2) Open the project data of procedure 1) with GT Designer3 (GOT2000), and select [Convert the project to GOT2000 data and edit it in GT Designer3 (GOT2000)].

* To open the GOT1000 series project data, select [Start GT Designer3(GOT1000) and edit the GOT1000 data as is].

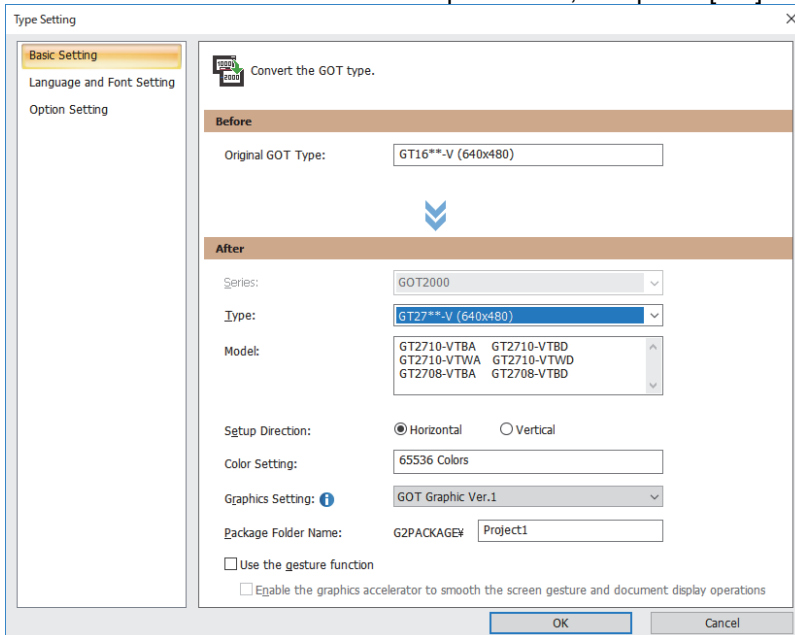


[Issue No.] GOT-A-0061-I

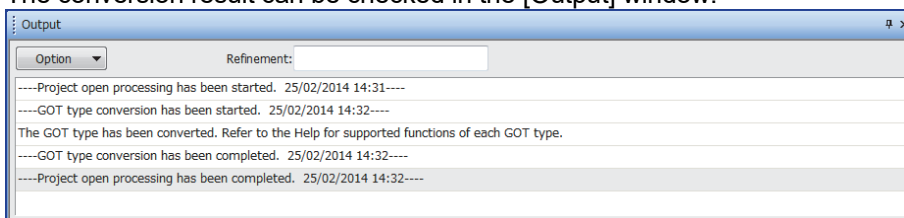
When the project data of procedure 1) is opened in GT Designer3 (GOT1000), select [Common]-[GOT Type Setting], select [GOT2000] in [Series] of [GOT Type], and press [OK].



3) Select the model of GOT2000 after replacement, and press [OK].



4) The project data is converted for the GOT2000 series, and GT Designer3 (GOT2000) starts. The conversion result can be checked in the [Output] window.



[Issue No.] GOT-A-0061-I

3.3.3 Screen design functions that are not supported

The following screen design functions are not supported.

Item	Screen design function	GT16	GT15	GT27	GT25	Precautions for GOT1000-to-GOT2000 replacement
Screen design software	Communication between the screen design software and GOT (modem, RS-232)	●	●	×	×	[Precautions] Modem or RS-232 connection between the screen design software and GOT is not supported. Use USB or Ethernet connection.

[Precautions]

Note that the settings of the functions that are not supported in the GOT2000 series are deleted when the GOT1000 series project data is converted for the GOT2000 series. For compatibility of the functions between the GOT2000 series and GOT1000 series, refer to Section 3.2.

3.3.4 Other major changes

Major changes in the screen design function are as follows.

(1) Name of the OS (standard monitor OS, extended function OS)

The name is changed as follows. In the GOT2000 series, the data necessary for GOT operations including system applications, project data, and communication drivers are collectively called "package data".

Name in GOT1000	Name in GOT2000
OS	System application
Standard monitor OS	Standard system application
Extended function OS	Advanced system application

(2) Name of standard fonts

The name and type of the standard fonts are changed as follows.

Name in GOT1000	Precautions and names changed in GOT1000-to-GOT2000 replacement
Japanese *1	Japanese *3 * Replaced to a font equivalent to Japanese (supporting Europe) of the GOT1000 series.
Japanese (supporting Europe) *2	Japanese *3
Chinese (Simplified) *1	Chinese (Simplified) *3 * Replaced to a font equivalent to Chinese (Simplified) (supporting Europe) of the GOT1000 series.
Chinese (Simplified) (supporting Europe) *2	Chinese (Simplified) *3
Chinese (Traditional) (supporting European) *2	Chinese (Traditional) *3

*1 European characters (Latin-1 Supplement, Latin Extended-A, Basic Greek, and Cyrillic) are displayed in two-byte characters.

*2 European characters (Latin-1 Supplement, Latin Extended-A, Basic Greek, and some of Cyrillic) are displayed in one-byte characters.

*3 European characters (Latin-1 Supplement, Latin Extended-A, Latin Extended-B, IPA Extensions, Latin Extended Additional, Basic Greek, Greek Extended, and some of Cyrillic) are displayed in one-byte characters.

[Issue No.] GOT-A-0061-I

(3) Drive configuration of the GOT

The name and type (media) of drives are different as follows.

Drive name	Drive type		
	GT16	GT15	GT27 GT25
Drive A	Standard CF card	Standard CF card	Standard SD card
Drive B	Extended memory card	Extended memory card	Rear-face USB
Drive C	Built-in flash memory	Built-in flash memory	Built-in flash memory
Drive D	-	-	-
Drive E	Front-face USB	-	Front-face USB (except while model)
Drive F	-	-	USB (assigned in order of connection)
Drive G	-	-	USB (assigned in order of connection)
Drive X (Current drive)	-	-	A drive that is running a project. (Indicates A drive when the project is started from C drive.)

(4) Storage locations of data

The storage locations of data are different as follows.

Data type	Storage drive		
	GT16	GT15	GT27 GT25
OS	A, C drive		Package data A, B, C, E, F, G drive * Project data, system application, and special data must be stored in the same drive. * Only A drive can be used for direct startup from a memory card.
Project data	A, B, C drive * Only A drive can be used when the OS is stored in A drive.		
Special Data	A, C drive * Only A drive can be used when the OS is stored in A drive.		
Resource data	A, B, C, E drive * Storage locations differ depending on the type.		A, B, E, F, G drive

(5) Controller settings

When the following communication drivers are used in the screen design software for the GOT1000 series, the settings will be deleted. Set the settings again in the screen design software for the GOT2000 series.

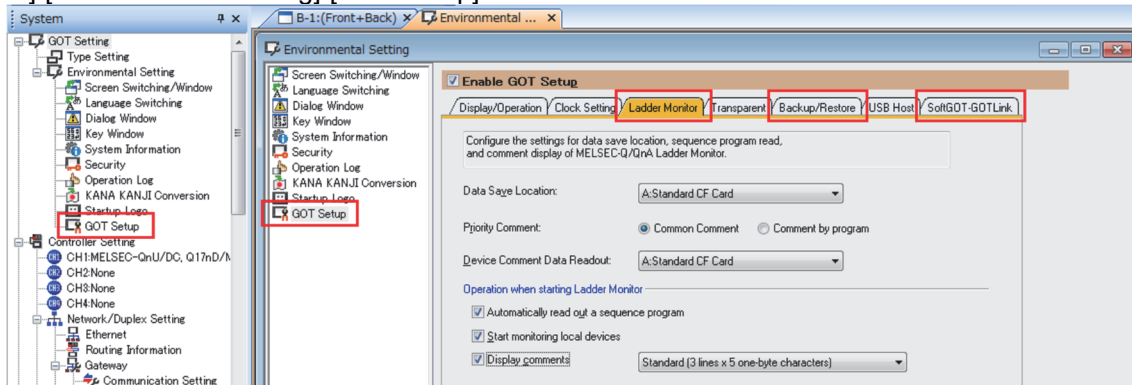
Manufacturer	Type	Driver	Remarks
MITSUBISHI ELECTRIC	MELSEC-QnA/Q/QS, MELDAS C6*	MELSECNET/10	The settings are deleted. Set the settings again in the screen design software for the GOT2000 series. MELSECNET/H (NET/10 mode) is used in the GOT2000 series
		CC-Link(ID)	The settings are deleted. Set the settings again in the screen design software for the GOT2000 series.

[Issue No.] GOT-A-0061-I

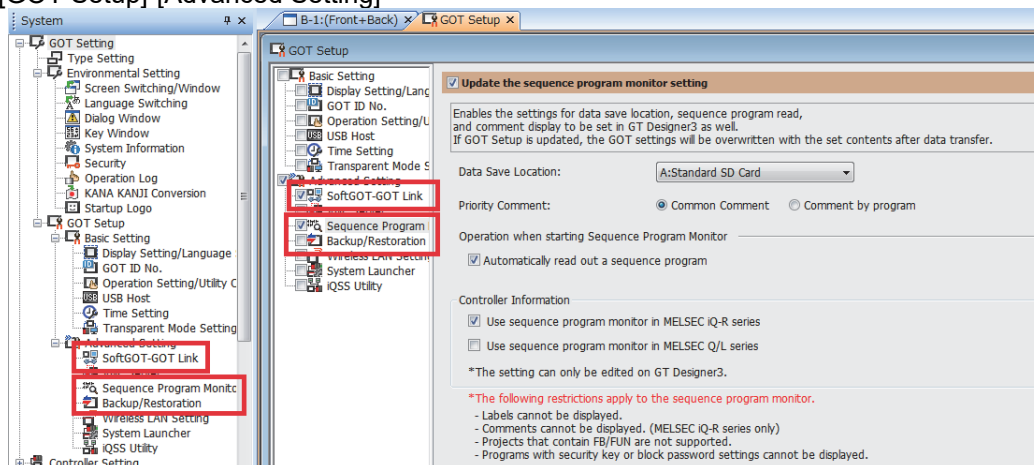
(6) GOT setup settings (Ladder monitor, backup/restore, SoftGOT-GOT link)

Setting categories in the screen design software for the GOT2000 series differ. Depending on the settings, those in GOT1000 may be deleted. Check and set them again in the screen design software for the GOT2000 series if necessary.

Setting categories in the screen design software for the GOT1000 series "GT Designer3 (GOT1000)"
[Common]-[Environmental Setting]-[GOT Setup]



Setting categories in the screen design software for the GOT2000 series "GT Designer3 (GOT2000)"
[Common]-[GOT Setup]-[Advanced Setting]



* Settings can be made with the utility of the GOT.

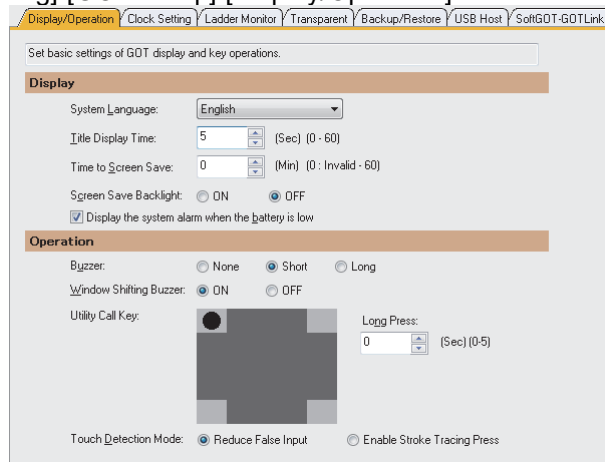
[Issue No.] GOT-A-0061-I

(7) Settings of the utility call key

Depending on the settings, some of those in GOT1000 may be deleted. Check and set them again in the screen design software for the GOT2000 series if necessary.

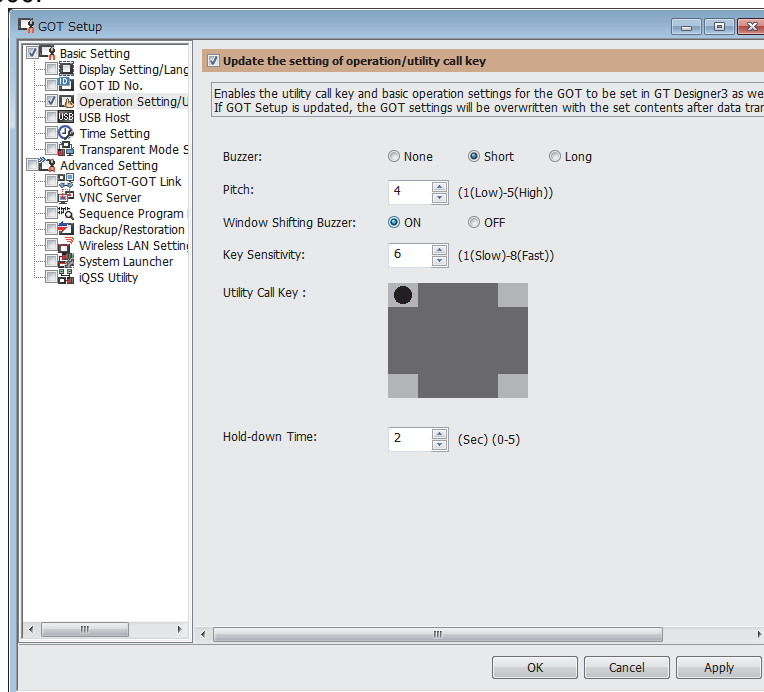
Setting in GOT1000	Precautions in GOT1000-to-GOT2000 replacement
One-point setting	Not changed
Two-point setting	Only one point is accepted, and the following priority is applied. Upper left → Upper right → Lower left → Lower right

Setting in the screen design software for the GOT1000 series "GT Designer3 (GOT1000)"
[Common]-[Environmental Setting]-[GOT Setup]-[Display/Operation] tab



Setting in the screen design software for the GOT2000 series "GT Designer3 (GOT2000)"
[Common]-[GOT Setup]-[Basic Setting]-[Update the setting of operation/utility call key]

* When two points (upper left and upper right) are set in GOT1000, only one point (upper left) is set after conversion into GOT2000.



[Issue No.] GOT-A-0061-I

(8) Offset value setting

When offsets are used and the following conditions are satisfied, the values stored in the offset devices must be changed.

1) Conditions requiring changes

Condition	Pattern 1	Pattern 2
Controller	OMRON PLC	ALLEN-BRADLEY PLC * Except Control/Compact/FlexLogix.
Connection type	Serial connection or Ethernet connection	Serial connection or Ethernet connection
Offset-target device	Bit devices (... LR, HR, WR, and AR)	Bit device (B)

2) Pattern 1

a) Change method

Values stored in the offset devices can be calculated using the following expression. Store the result in the offset devices.

$$\text{Offset value for the GOT2000 series} = (\text{Offset value for the GOT1000 series}) / 100 \times 16 + (\text{Offset value for the GOT-1000 series}) \% 100$$

* % means the division to calculate a remainder. (For "a % b", a remainder after "a" is divided by "b" is returned.)

Example) The following shows an example of offset values for the device LR00000.

Object setting in the GOT	Device number after the offset is added	Offset value for the GOT-A900 series (decimal)	Offset value for the GOT2000 series (decimal) (calculated by the expression)
LR00000	LR00010	10	10
	LR00100	100	16
	LR00310	310	58
	LR010000	10000	1600

b) Difference in the specifications of the offsets of bit devices (... LR, HR, WR, and AR)

In the GOT-A900 series, values must be set corresponding to the device notation (channel number and bit position). In the GOT2000 series, values disregarding channel numbers are set while bit devices are considered continuous. The following shows the bit device representation of the GOT1000 series and GOT2000 series.

GOT1000 series	GOT2000 series
<p>Example) LR device</p> <p>LR □□□ △△</p> <p>└──┬── Bit position └──┬── Channel number</p> <p>The lower two digits of the offset value are applied as an offset value for the bit position. The valid value is 0 to 15. If 16 to 99 is set, the system alarm 322 "Dedicated device is out of range. Confirm device range." is displayed. The digits excluding the lower two digits of the offset value are applied as an offset value for the channel number.</p>	<p>Example) LR device</p> <p>LR □□□ △△</p> <p>└──┬── Bit position └──┬── Channel number</p> <p>As the offset value of the bit position is increased by 16, the channel number increases by 1.</p>

[Issue No.] GOT-A-0061-I

Example) The following shows an example for the GOT1000 series and GOT2000 series.

Offset	Device indicated by the monitor device	
	GOT1000 series	GOT2000 series
Offset value = 0 (no offset)	LR00000	LR00000
Offset value = 1	LR00001	LR00001
Offset value = 15	LR00015	LR00015
Offset value = 16	322 (range error)	LR00100
Offset value = 100	LR00100	LR00604
Offset value = 115	LR00115	LR00703

2) Pattern 2

a) Change method

Values stored in the offset devices can be calculated using the following expression. Store the result in the offset devices.

Offset value for the GOT2000 series = (Offset value for the GOT1000 series) × 16)

Object setting in the GOT	Device number after the offset is added	Offset value for the GOT1000 series (decimal)	Offset value for the GOT2000 series (decimal) (calculated by the expression)
B3:0/0	B3:1/0	1	16

b) Difference in the specifications of the offsets of bit device (B)

In the GOT1000 series, the offset is applied to the element number so that the same offset as the one applied to the bit (B) as the word device is applied. In the GOT2000 series specifications, the bit (B) is recognized as the bit device and can be offset by the bit unit.

(9) Operations when no recipe file is available

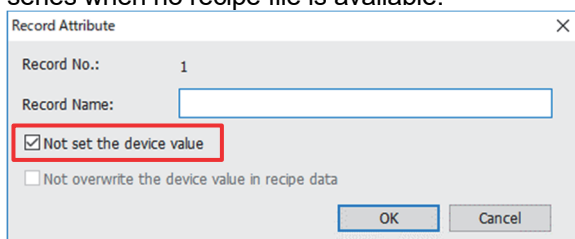
When GOT1000 series project data are converted to GOT2000 series project data, the recipe function of GOT1000 series is replaced with that of GOT2000 series. However, when project data under the following settings are converted, the operation of writing device values differs between GOT2000 series and GOT1000 series if no recipe file is available.

- [Use a recipe file (read and write)] is selected.
- [Create a recipe file with the value set in this dialog if a recipe file is not available at the time of startup] is not selected.

After project data are converted, make the following setting so that the operation will be the same between GOT2000 series and GOT1000 series.

- In the [Recipe] dialog, click [Record Attribute] and select [Not set the device value].

Then, record values are not written to the devices specified in the target device list. By making this setting for GOT1000 series, the operation of writing device values will be the same between GOT2000 series and GOT1000 series when no recipe file is available.



[Issue No.] GOT-A-0061-I

(10) Q redundant setting

If either of the following models is selected in the GOT1000 series screen design software and the Q redundant setting is configured, the setting is deleted in the GOT2000 series screen design software.

Change the model to one that supports the MELSEC redundant setting in GOT2000 series screen design software and configure the setting again.

Manufacturer	Model	Remarks
MITSUBISHI ELECTRIC	MELSEC-QnA/Q/QS, MELDAS C6*, MELSEC-QnA/Q, MELDAS C6*	If you change the model to one of the following models in the GOT1000 series screen design software and convert the project data in GOT2000 series screen design software, the MELSEC redundant setting is not deleted. - MELSEC-QnU/DC, Q17nD/M/NC/DR, CRnD-700 - MELSEC-QnU/DC, Q17nD/M/NC/DR - MELSEC-QnU/DC, Q17nNC/DR, CRnD-700 - MELSEC-Q(MULTI)/Q MOTION

3.4 SoftGOT specifications

Most of the GT SoftGOT1000 functions can be used in GT SoftGOT2000 as-is; however, some functions are not supported or are integrated, or their names have been changed. Refer to "Table 3-10 GOT2000 function comparison table" and "Table 3-11 GT SoftGOT2000 function comparison table".

Table 3-11 GT SoftGOT2000 function comparison table

Item	Function	GT SoftGOT 1000	GT SoftGOT 2000	Precautions for replacing GT SoftGOT1000 with GT SoftGOT2000
GT SoftGOT	License key	●	●	[Precautions] Purchase separately since the license key is different. No license key is provided for the parallel port.
	Interaction with PX Developer monitor tool	●	● Ver1.105K or later	-
	System alarm displayed by selecting [Tools] → [System Alarm] from the menu	●	×	[Precautions] When using GT SoftGOT2000, check system alarms in the utility.

[Issue No.] GOT-A-0061-I

3.5 Others**3.5.1 "GOT screen creation" of PX Developer**

The GOT screen creation function of PX Developer automatically creates the GOT1000 series project data. Use the created project data after converting it for the GOT2000 series using GT Designer3 (GOT2000).

3.5.2 Manuals

In the manual of the GOT2000 series, the manual name and configured contents are different from the ones of the GOT1000 series.

Manuals for the GOT1000 series	Manuals for the GOT2000 series
GT Designer3 Version1 Screen Design Manual (Fundamentals)	GT Designer3 (GOT2000) Screen Design Manual
GT Designer3 Version1 Screen Design Manual (Functions)	
GT Simulator3 Version1 Operating Manual for GT Works3	
GOT1000 Series Gateway Functions Manual for GT Works3	GT Converter2 Version3 Operating Manual for GT Works3
GT Converter2 Version3 Operating Manual for GT Works3	
GOT1000 Series Connection Manual (Mitsubishi Electric Products) for GT Works3	GOT2000 Series Connection Manual (Mitsubishi Electric Products) For GT Works3 Version1
GOT1000 Series Connection Manual (Non-Mitsubishi Electric Products 1) for GT Works3	GOT2000 Series Connection Manual (Non-Mitsubishi Electric Products 1) For GT Works3 Version1
GOT1000 Series Connection Manual (Non-Mitsubishi Electric Products 2) for GT Works3	GOT2000 Series Connection Manual (Non-Mitsubishi Electric Products 2) For GT Works3 Version1
GOT1000 Series Connection Manual (Microcomputer, MODBUS Products, Peripherals) for GT Works3	GOT2000 Series Connection Manual (Microcomputers, MODBUS/Fieldbus Products, Peripherals) For GT Works3 Version1
GOT1000 Series MES Interface Function Manual for GT Works3	GOT2000 Series MES Interface Function Manual for GT Works3 Version1
GT SoftGOT1000 Version3 Operating Manual for GT Works3	GT SoftGOT2000 Version1 Operating Manual
GOT1000 Series User's Manual (Extended Functions, Option Functions) for GT Works3	GOT2000 Series User's Manual (Monitor)
GT16 User's Manual (Hardware)	GOT2000 Series User's Manual (Hardware)
GT16 Handy GOT User's Manual	GOT2000 Series Handy GOT Connection Manual For GT Works3 Version1
GT15 User's Manual	GOT2000 Series User's Manual (Utility)
GT16 User's Manual (Basic Utility)	

REVISIONS

Version	Print date	Revision
*	March 2014	- First edition
A	May 2014	- GT2715-XTBA and GT2715-XTBD supported - GT25 models supported
B	September 2014	- Corrected clerical errors
C	January 2015	- GT2512-STBA and GT2512-STBD has been supported. - The R motion monitor, vertical display, CNC monitor, CNC data I/O, and CNC machining program edit are supported. - Precautions for the offset setting when an OMRON PLC is used have been added. - "Section 3.1.7 Precautions for arrangement of a 2-point press switch" has been revised.
D	September 2016	- GT2705-VTBD is supported. - GT27-R2 and GT27-ROUT are supported. - Discontinued GT15 models have been added. - "Chapter 2 Replacement models" and "Chapter 3 Comparison in specifications" have been revised.
E	March 2018	- GT2712-STBA-EX, GT2712-STBD-EX, GT2505-VTBD, and GT2506HS-VTBD are supported.
F	February 2019	- Corrected clerical errors - "Section 3.5.2 Manuals" has been added.
G	September 2019	- Precautions have been added to "Section 3.2.2 Detailed comparison in functions". - Description has been added to "3.3.4 Other major changes".
H	December 2020	- Corrected clerical errors - The description "(Discontinued product)" has been added to the discontinued models.
I	July 2021	- Precautions have been added to "Section 3.2.2 Detailed comparison in functions". - Description has been added to "3.3.4 Other major changes".