

MELFA Technical News

BFP-A6079-0247E

May 2019

Subject: Notification of Transporting Jig Change**Applicable to: RV-35/50/70F series**

This technical news is to notify you that the transporting jig for RV-35/50/70 series robot is changed.

1. Models

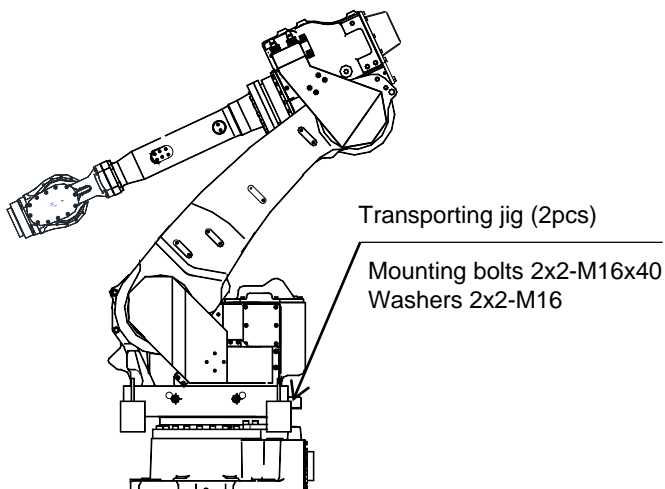
RV-35/50/70F series

2. Details of the Change

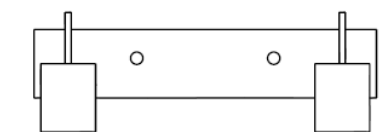
The shape of transporting jig bracket and its thickness are changed. Due to this change, the length of the mounting bolts becomes longer and washers are added.

As the location of the mounting holes are not changed, there is no impact on robot itself nor packaging.

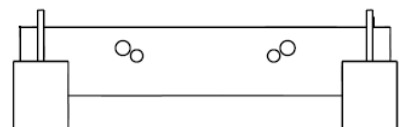
<After Change>



<Before Change>



<After Change>



3. Change schedule

June 2019