

< Low Noise GaAs HEMT >

MGF4938AM

4pin flat lead package

DESCRIPTION

The MGF4938AM super-low noise InGaAs HEMT (High Electron Mobility Transistor) is designed for use in S to Ku band amplifiers.

The 4pin flat lead package is small-thin size, and offers high cost performance.

FEATURES

- Very Low noise figure @ f=12GHz
NFmin. = 0.32dB (Typ.)
- High associated gain @ f=12GHz
Gs = 12.5dB (Typ.)

APPLICATION

S to Ku band low noise amplifiers

QUALITY GRADE

GG

RECOMMENDED BIAS CONDITIONS

VDS=2V, ID=10mA

ORDERING INFORMATION

Tape & reel 15000pcs/reel

RoHS COMPLIANT

MGF4938AM is a RoHS2 compliant product.

ABSOLUTE MAXIMUM RATINGS (Ta=25°C)

Symbol	Parameter	Ratings	Unit
VGDO	Gate to drain voltage	-3	V
VGSO	Gate to source voltage	-3	V
VDS	Drain to source voltage	3	V
ID	Drain current	IDSS	mA
PT	Total power dissipation	50	mW
Tch	Channel temperature	125	°C
Tstg	Storage temperature	-55 to +125	°C
Top	Operation temperature	-55 to +125	°C

ELECTRICAL CHARACTERISTICS (Ta=25°C)

Symbol	Parameter	Test conditions	Limits			Unit
			MIN.	TYP.	MAX	
V(BR)GDO	Gate to drain breakdown voltage	IG=-10μA	-3.5	--	--	V
IGSS	Gate to source leakage current	VGS=-2V, VDS=0V	--	--	50	μA
IDSS	Saturated drain current	VGS=0V, VDS=2V	12	--	60	mA
VGS(off)	Gate to source cut-off voltage	VDS=2V, ID=500μA	-0.1	--	-1.5	V
Gs	Associated gain	VDS=2V,	11.0	12.5	--	dB
NFmin.	Minimum noise figure	ID=10mA, f=12GHz	--	0.32	0.47	dB

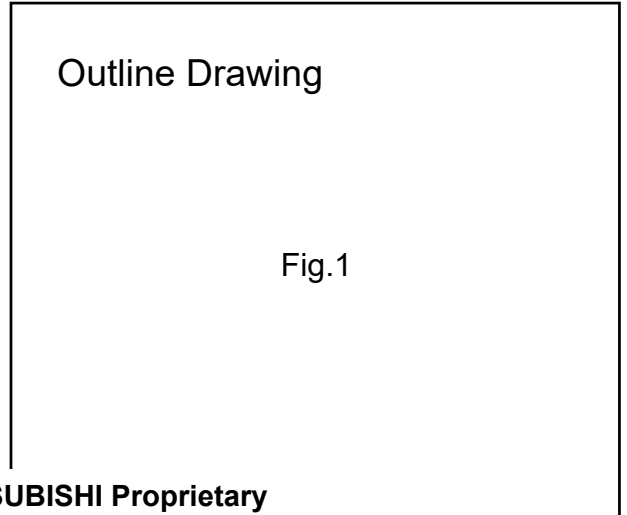
Note: Gs and NFmin. are tested with sampling inspection.

Thermal resistance (Rth) of this product: 800 deg.C/W.

Publication Date :Jul., 2019

CTHA-190717-05

MITSUBISHI ELECTRIC CORPORATION

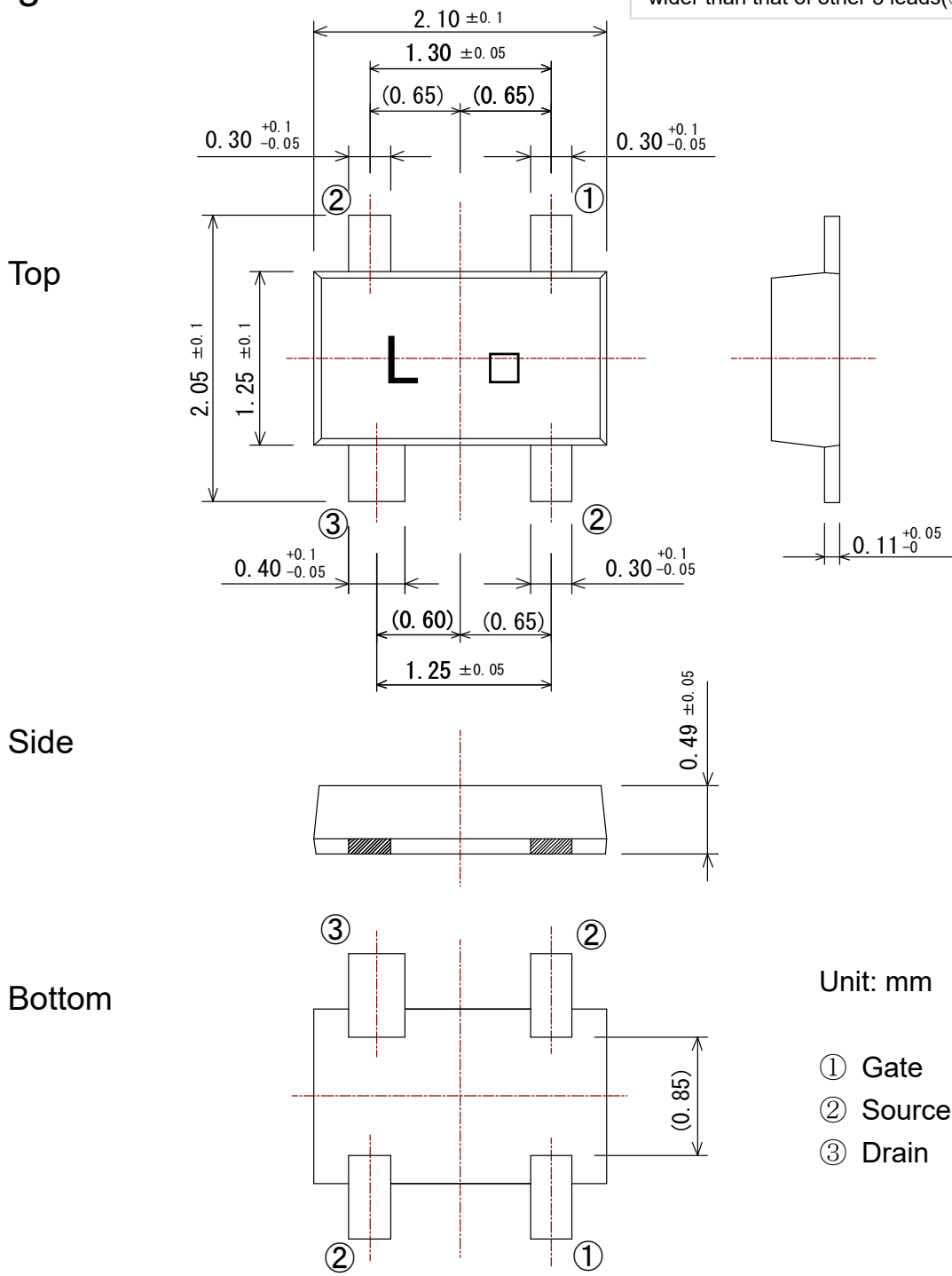


MITSUBISHI Proprietary

Not to be reproduced or disclosed without permission by Mitsubishi Electric

Fig.1

Drain lead (③) width is always at least 0.03mm wider than that of other 3 leads(① and ②)



Unit: mm

- ① Gate
- ② Source
- ③ Drain

(GD-30)

MGF4938AM

4pin flat lead package

S PARAMETERS

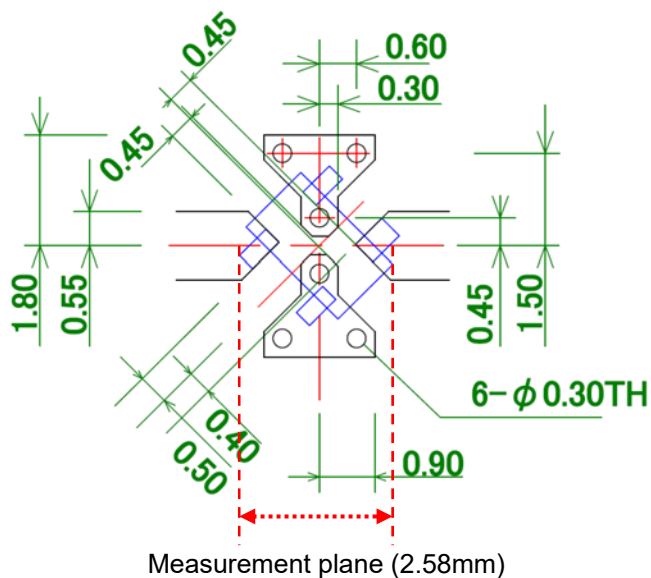
($V_{DS}=2V, I_D=10mA, T_a=room\ temperature$)

Freq. (GHz)	S11		S21		S12		S22	
	(mag)	(ang)	(mag)	(ang)	(mag)	(ang)	(mag)	(ang)
6	0.785	-85.7	5.150	90.9	0.081	27.7	0.491	-75.4
7	0.701	-104.9	5.070	74.2	0.091	16.1	0.439	-90.8
8	0.623	-126.4	4.886	57.6	0.101	3.4	0.388	-108.7
9	0.536	-148.2	4.592	42.1	0.102	-8.7	0.331	-125.0
10	0.465	-171.2	4.287	27.9	0.100	-19.6	0.272	-139.2
11	0.445	166.4	4.079	14.4	0.101	-28.3	0.244	-156.1
12	0.443	143.3	3.872	0.9	0.102	-36.9	0.223	-174.1
13	0.472	119.8	3.657	-13.6	0.102	-47.0	0.209	164.7
14	0.510	99.8	3.462	-27.2	0.101	-55.5	0.195	146.3
15	0.553	82.2	3.262	-40.6	0.100	-65.5	0.194	125.5
16	0.603	65.9	3.011	-56.3	0.098	-73.0	0.220	104.1
17	0.640	52.4	2.749	-69.7	0.095	-80.9	0.230	85.9
18	0.676	40.4	2.485	-82.2	0.095	-88.1	0.256	68.1

Noise Parameter

($V_{DS}=2V, I_D=10mA, T_a=room\ temperature$)

Freq. (GHz)	NFmin (dB)	Γ_{opt}		Rn/50 (Ω)
		(mag)	(ang)	
6	0.19	0.713	39.7	0.198
7	0.20	0.646	55.8	0.182
8	0.21	0.580	74.1	0.149
9	0.24	0.517	94.0	0.123
10	0.26	0.458	115.6	0.096
11	0.29	0.408	138.6	0.068
12	0.32	0.368	162.4	0.057
13	0.34	0.340	-173.2	0.044
14	0.38	0.326	-149.0	0.040
15	0.40	0.328	-125.0	0.047
16	0.43	0.346	-101.8	0.068
17	0.47	0.382	-79.5	0.084
18	0.50	0.437	-57.7	0.116



Board: $\epsilon_r=3.38$
 Thickness: 0.508mm
 (Rogers RO4003C)
 (6- ϕ 0.3: through-hole)

Note: We are ready to provide nonlinear model for ADS and MWO users. If you are interested, please contact our sales offices.

S PARAMETERS

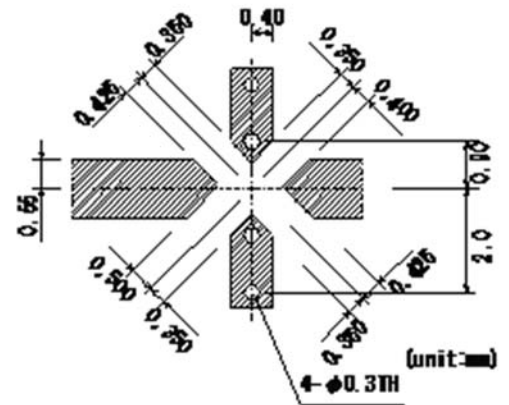
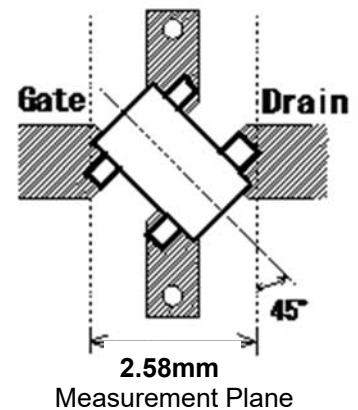
($V_{DS}=2V$, $I_D=10mA$, T_a =room temperature)

Freq. (GHz)	S11		S21		S12		S22	
	(mag)	(ang)	(mag)	(ang)	(mag)	(ang)	(mag)	(ang)
6	0.739	-81.6	4.930	89.5	0.076	34.2	0.485	-67.4
7	0.648	-99.0	4.810	73.6	0.086	24.8	0.430	-79.4
8	0.564	-118.4	4.656	57.9	0.097	14.4	0.372	-93.0
9	0.469	-139.2	4.402	43.0	0.098	4.6	0.306	-107.0
10	0.389	-163.2	4.127	29.0	0.098	-4.5	0.236	-119.2
11	0.369	172.4	3.949	15.7	0.101	-11.2	0.196	-137.1
12	0.373	146.3	3.772	2.1	0.104	-18.0	0.166	-159.1
13	0.416	120.8	3.557	-12.5	0.107	-26.8	0.157	170.7
14	0.459	100.8	3.352	-25.4	0.107	-34.0	0.155	146.3
15	0.510	83.8	3.172	-38.3	0.106	-42.3	0.176	120.5
16	0.574	69.3	2.971	-53.5	0.108	-48.1	0.235	101.1
17	0.618	57.5	2.739	-66.7	0.107	-54.3	0.272	88.2
18	0.665	46.7	2.515	-79.7	0.110	-61.2	0.313	74.1

Noise Parameter

($V_{DS}=2V$, $I_D=10mA$, T_a =room temperature)

Freq. (GHz)	NFmin. (dB)	Γ_{opt}		Rn/50 (Ω)
		(mag)	(ang)	
6	0.23	0.664	31.0	0.201
7	0.24	0.586	49.4	0.185
8	0.25	0.510	70.4	0.151
9	0.28	0.440	93.6	0.125
10	0.29	0.377	118.6	0.091
11	0.31	0.327	144.6	0.072
12	0.34	0.291	171.4	0.063
13	0.36	0.273	-162.2	0.059
14	0.40	0.275	-136.0	0.054
15	0.42	0.299	-112.0	0.060
16	0.45	0.344	-89.4	0.081
17	0.48	0.417	-69.4	0.112
18	0.51	0.516	-51.0	0.143



Board: $\epsilon_r=3.38$
 Thickness: 0.508mm
 (Rogers RO4003C)
 (4-φ0.3: through-hole)

Note: We are ready to provide nonlinear model for ADS and MWO users. If you are interested, please contact our sales offices.

Keep safety first in your circuit designs!

- Mitsubishi Electric Corporation puts the maximum effort into making semiconductor products better and more reliable, but there is always the possibility that trouble may occur with them. Trouble with semiconductors may lead to personal injury, fire ore property damage. Remember to give due consideration to safety when making your circuit designs, with appropriate measures such as (i) placement of substitutive, auxiliary circuits, (ii) use of non-flammable material or (iii) prevention against any malfunction or mishap.

Notes regarding these materials

- These materials are intended as a reference to assist our customers in the selection of the Mitsubishi semiconductor product best suited to the customer's application; they do not convey any license under any intellectual property rights, or any other rights, belonging to Mitsubishi Electric Corporation or a third party.
- Mitsubishi Electric Corporation assumes no responsibility for any damage, or infringement of any third-party's rights, originating in the use of any product data, diagrams, charts, programs, algorithms, or circuit application examples contained in these materials.
- All information contained in these materials, including product data, diagrams, charts, programs and algorithms represents information on products at the time of publication of these materials, and are subject to change by Mitsubishi Electric Corporation without notice due to product improvements or other reasons. It is therefore recommended that customers contact Mitsubishi Electric Corporation or an authorized Mitsubishi Semiconductor product distributor for the latest product information before purchasing a product listed herein.
The information described here may contain technical inaccuracies or typographical errors.
Mitsubishi Electric Corporation assumes no responsibility for any damage, liability, or other loss rising from these inaccuracies or errors.
Please also pay attention to information published by Mitsubishi Electric Corporation by various means, including the Mitsubishi Semiconductor home page (<http://www.mitsubishielectric.com/>).
- When using any or all of the information contained in these materials, including product data, diagrams, charts, programs, and algorithms, please be sure to evaluate all information as a total system before making a final decision on the applicability of the information and products. Mitsubishi Electric Corporation assumes no responsibility for any damage, liability or other loss resulting from the information contained herein.
- Mitsubishi Electric Corporation semiconductors are not designed or manufactured for use in a device or system that is used under circumstances in which human life is potentially at stake. Please contact Mitsubishi Electric Corporation or an authorized Mitsubishi Semiconductor product distributor when considering the use of a product contained herein for any specific purposes, such as apparatus or systems for transportation, vehicular, medical, aerospace, nuclear, or undersea repeater use.
- The prior written approval of Mitsubishi Electric Corporation is necessary to reprint or reproduce in whole or in part these materials.
- If these products or technologies are subject to the Japanese export control restrictions, they must be exported under a license from the Japanese government and cannot be imported into a country other than the approved destination.
Any diversion or re-export contrary to the export control laws and regulations of Japan and/or the country of destination is prohibited.
- Please contact Mitsubishi Electric Corporation or an authorized Mitsubishi Semiconductor product distributor for further details on these materials or the products contained therein.