

<Intelligent Power Modules>

# PM100RG1B120

FLAT-BASE TYPE  
INSULATED PACKAGE



## FEATURE

- a) Adopting Full-Gate CSTBT™ chip.
- b) The over-temperature protection which detects the chip surface temperature of CSTBT™ is adopted.
- c) Error output signal is available from each protection upper and lower arm of IPM.
- d) Outputting an error signal corresponding to the abnormal state (error mode identification)

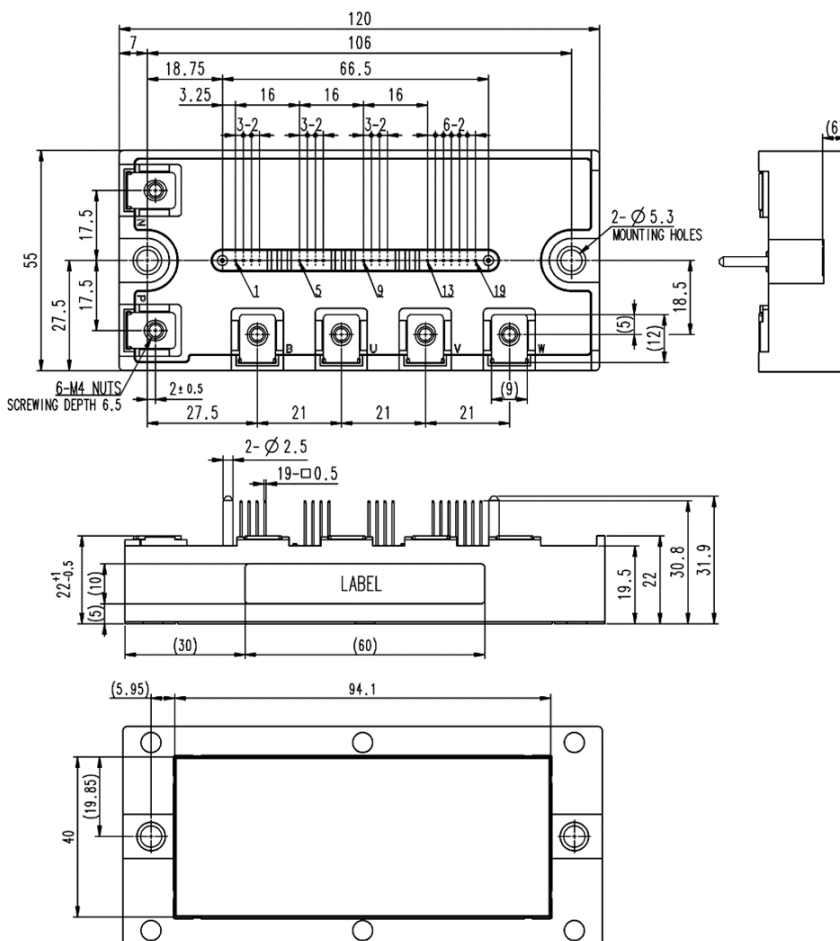
UL Recognized under UL1557, File No. E323585

This product is compliant with the Restriction of the Use of Certain Hazardous Substances in Electrical and Electronic Equipment (RoHS) directive 2011/65/EU and (EU)2015/863.

## APPLICATION

General purpose inverter, servo drives and other motor controls

## PACKAGE OUTLINES



## Dimensions in mm

Tolerance otherwise specified

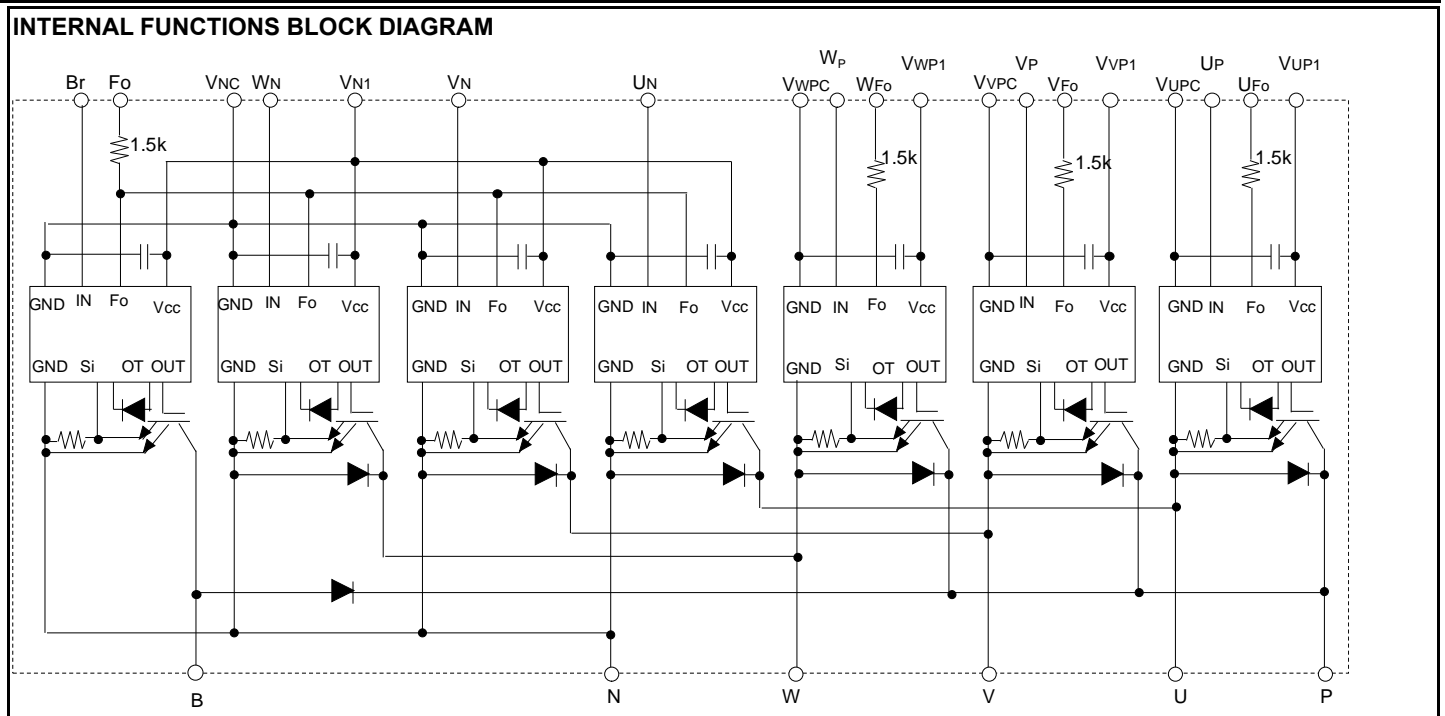
| Division of Dimension |        | Tolerance |
|-----------------------|--------|-----------|
| 0.5                   | to 3   | ±0.2      |
| over 3                | to 6   | ±0.3      |
| over 6                | to 30  | ±0.5      |
| over 30               | to 120 | ±0.8      |
| over 120              | to 400 | ±1.2      |

## TERMINAL CODE

1. V<sub>UPC</sub>
2. U<sub>FO</sub>
3. U<sub>P</sub>
4. V<sub>UP1</sub>
5. V<sub>VP</sub>
6. V<sub>FO</sub>
7. V<sub>P</sub>
8. V<sub>VP1</sub>
9. V<sub>WPC</sub>
10. W<sub>FO</sub>
11. W<sub>P</sub>
12. V<sub>WP1</sub>
13. V<sub>NC</sub>
14. V<sub>N1</sub>
15. BR
16. U<sub>N</sub>
17. V<sub>N</sub>
18. W<sub>N</sub>
19. F<sub>O</sub>

# PM100RG1B120

HIGH POWER SWITCHING USE  
INSULATED TYPE



## MAXIMUM RATINGS (Tvj = 25°C, unless otherwise noted)

### INVERTER PART

| Symbol    | Parameter                             | Conditions                             | Ratings    | Unit |
|-----------|---------------------------------------|----------------------------------------|------------|------|
| $V_{CES}$ | Collector-Emitter Voltage             | $V_D=15\text{ V}, V_{CIN}=15\text{ V}$ | 1200       | V    |
| $I_C$     | Collector Current                     | $T_C=25\text{ }^\circ\text{C}$         | 100        | A    |
| $I_{CRM}$ |                                       | Pulse                                  | 200        |      |
| $P_{tot}$ | Total Power Dissipation               | $T_C=25\text{ }^\circ\text{C}$         | 595        | W    |
| $I_E$     | Emitter Current                       | $T_C=25\text{ }^\circ\text{C}$         | 100        | A    |
| $I_{ERM}$ | (Free-wheeling Diode Forward current) | Pulse                                  | 200        |      |
| $Tvj$     | Junction Temperature                  | (Note5)                                | -20 ~ +150 | °C   |

\*: Tc measurement point is just under the chip.

### BRAKE PART

| Symbol      | Parameter                      | Conditions                             | Ratings    | Unit |
|-------------|--------------------------------|----------------------------------------|------------|------|
| $V_{CES}$   | Collector-Emitter Voltage      | $V_D=15\text{ V}, V_{CIN}=15\text{ V}$ | 1200       | V    |
| $I_C$       | Collector Current              | $T_C=25\text{ }^\circ\text{C}$         | 50         | A    |
| $I_{CRM}$   |                                | Pulse                                  | 100        |      |
| $P_{tot}$   | Total Power Dissipation        | $T_C=25\text{ }^\circ\text{C}$         | 378        | W    |
| $V_{R(DC)}$ | Diode Rated Reverse DC Voltage | $T_C=25\text{ }^\circ\text{C}$         | 1200       | V    |
| $I_F$       | Diode Forward Current          | $T_C=25\text{ }^\circ\text{C}$         | 50         | A    |
| $Tvj$       | Junction Temperature           | (Note5)                                | -20 ~ +150 | °C   |

\*: Tc measurement point is just under the chip.

### CONTROL PART

| Symbol    | Parameter                   | Conditions                                                                          | Ratings | Unit |
|-----------|-----------------------------|-------------------------------------------------------------------------------------|---------|------|
| $V_D$     | Supply Voltage              | Applied between: $V_{UP1}-V_{UPC}, V_{VP1}-V_{VPC}, V_{WP1}-V_{WPC}, V_{N1}-V_{NC}$ | 20      | V    |
| $V_{CIN}$ | Input Voltage               | Applied between: $U_P-V_{UPC}, V_P-V_{VPC}, W_P-V_{WPC}, U_N, V_N, W_N, Br -V_{NC}$ | 20      | V    |
| $V_{FO}$  | Fault Output Supply Voltage | Applied between: $U_{FO}-V_{UPC}, V_{FO}-V_{VPC}, W_{FO}-V_{WPC}, FO-V_{NC}$        | 20      | V    |
| $I_{FO}$  | Fault Output Current        | Sink current at $U_{FO}, V_{FO}, W_{FO}, FO$ terminals                              | 20      | mA   |

# PM100RG1B120

HIGH POWER SWITCHING USE

INSULATED TYPE

## TOTAL SYSTEM

| Symbol         | Parameter                      | Conditions                                                                                      | Ratings    | Unit             |
|----------------|--------------------------------|-------------------------------------------------------------------------------------------------|------------|------------------|
| $V_{CC(Prot)}$ | Supply Voltage Protected by SC | $V_D = 13.5 \text{ V} \sim 16.5 \text{ V}$ , Inverter Part, $T_{vj} = +125^\circ\text{C}$ start | 800        | V                |
| $T_{stg}$      | Storage Temperature            | -                                                                                               | -40 ~ +125 | $^\circ\text{C}$ |
| $T_C$          | Operating Case Temperature     | (Note5)                                                                                         | -20 ~ +125 | $^\circ\text{C}$ |
| $V_{isol}$     | Isolation Voltage              | 60Hz, Sinusoidal, Charged part to Base plate, AC 1min, RMS                                      | 2500       | V                |

\*:  $T_C$  measurement point is just under the chip.

## THERMAL RESISTANCE

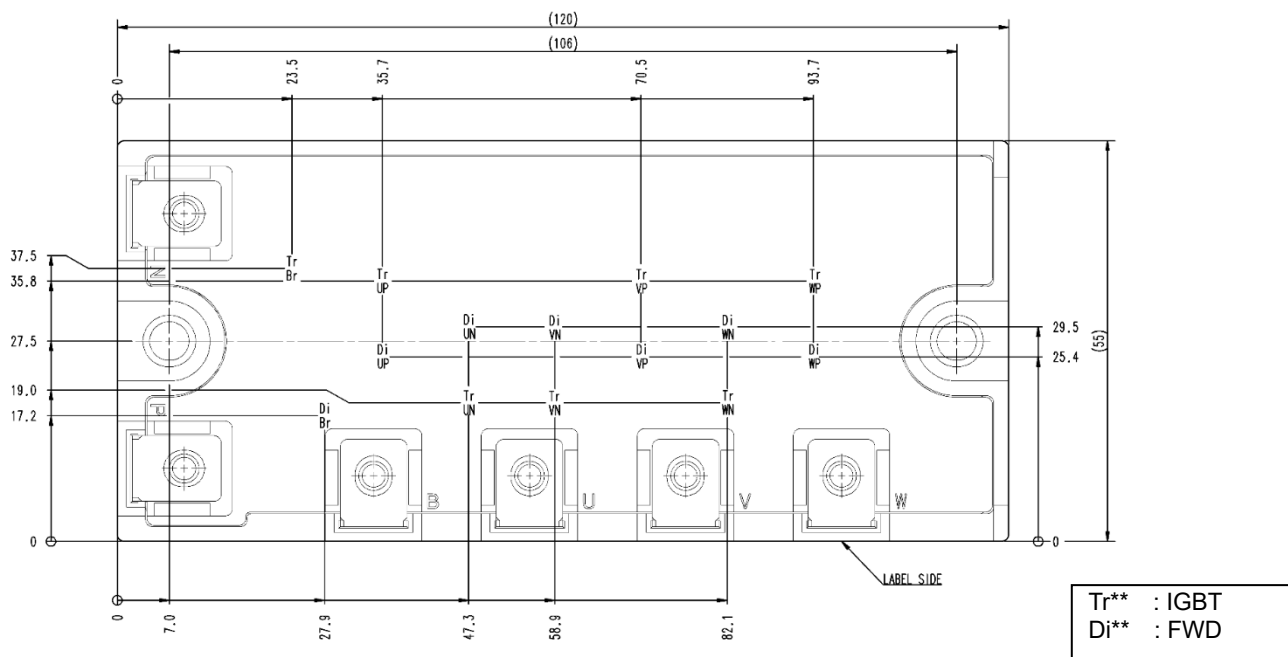
| Symbol         | Parameter                  | Conditions                                                                | Limits |      |      | Unit |
|----------------|----------------------------|---------------------------------------------------------------------------|--------|------|------|------|
|                |                            |                                                                           | Min.   | Typ. | Max. |      |
| $R_{th(j-c)Q}$ | Thermal Resistance         | Inverter, Junction to case, IGBT, per 1 element (Note1)                   | -      | -    | 0.21 | K/W  |
| $R_{th(j-c)D}$ |                            | Inverter, Junction to case, FWD, per 1 element (Note1)                    | -      | -    | 0.31 |      |
| $R_{th(j-c)Q}$ |                            | Brake, Junction to case, IGBT, per 1 element (Note1)                      | -      | -    | 0.33 |      |
| $R_{th(j-c)D}$ |                            | Brake, Junction to case, FWD, per 1 element (Note1)                       | -      | -    | 0.51 |      |
| $R_{th(c-s)}$  | Contact Thermal Resistance | Case to heat sink, per 1 module,<br>Thermal grease applied (Note.1, 2, 5) | -      | 14.4 | -    | K/kW |

Note1. If you use this value,  $R_{th(s-a)}$  should be measured just under the chips.

Note2. Typical value is by thermally conductive grease of  $\lambda = 0.9 \text{ W}/(\text{m}\cdot\text{K})$ ,  $D_{(c-s)} = 50 \mu\text{m}$ .

### CHIP LOCATION (Top view)

Dimension in mm, tolerance:  $\pm 1 \text{ mm}$



# PM100RG1B120

HIGH POWER SWITCHING USE  
INSULATED TYPE

## ELECTRICAL CHARACTERISTICS (Tvj= 25°C, unless otherwise noted)

### INVERTER PART

| Symbol              | Parameter                            | Conditions                                                                                                                                        |            |            | Limits |      |      | Unit |
|---------------------|--------------------------------------|---------------------------------------------------------------------------------------------------------------------------------------------------|------------|------------|--------|------|------|------|
|                     |                                      |                                                                                                                                                   |            |            | Min.   | Typ. | Max. |      |
| V <sub>CEsat</sub>  | Collector-Emitter Saturation Voltage | V <sub>D</sub> =15 V, I <sub>C</sub> =100 A                                                                                                       | Tvj=25 °C  | Terminal   | -      | -    | 1.85 | V    |
|                     |                                      |                                                                                                                                                   |            | Chip       | -      | 1.3  | -    |      |
|                     |                                      | V <sub>CIN</sub> =0 V, Pulsed, (Fig.1)                                                                                                            | Tvj=125 °C | Terminal   | -      | -    | 2.1  |      |
|                     |                                      |                                                                                                                                                   |            | Chip       | -      | 1.5  | -    |      |
| V <sub>EC</sub>     | Emitter-Collector Voltage            | V <sub>D</sub> =15 V, I <sub>E</sub> =100 A,                                                                                                      | Tvj=25 °C  | Terminal   | -      | -    | 2.4  | V    |
|                     |                                      |                                                                                                                                                   |            | Chip       | -      | 1.75 | -    |      |
|                     |                                      | V <sub>CIN</sub> = 15 V, pulsed, (Fig.2)                                                                                                          | Tvj=125 °C | Terminal   | -      | -    | 2.65 |      |
|                     |                                      |                                                                                                                                                   |            | Chip       | -      | 1.95 | -    |      |
| t <sub>on</sub>     | Switching Time                       | V <sub>D</sub> =15 V, V <sub>CIN</sub> =0 V↔15 V,<br>V <sub>CC</sub> =600 V, I <sub>C</sub> =100A,<br>Tvj=125 °C,<br>Inductive Load<br>(Fig.3, 4) |            |            | 0.3    | 0.8  | 1.2  | μs   |
| t <sub>rr</sub>     |                                      |                                                                                                                                                   |            |            | -      | 0.2  | 0.4  |      |
| t <sub>c(on)</sub>  |                                      |                                                                                                                                                   |            |            | -      | 0.2  | 0.4  |      |
| t <sub>off</sub>    |                                      |                                                                                                                                                   |            |            | -      | 1.1  | 2.8  |      |
| t <sub>c(off)</sub> |                                      |                                                                                                                                                   |            |            | -      | 0.4  | 1.2  |      |
| I <sub>CES</sub>    | Collector-Emitter Cut-off Current    | V <sub>CE</sub> =V <sub>CES</sub> , V <sub>D</sub> =15 V,<br>V <sub>CIN</sub> =15 V (Fig.5)                                                       |            | Tvj=25 °C  | -      | -    | 1    | mA   |
|                     |                                      |                                                                                                                                                   |            | Tvj=125 °C | -      | -    | 10   |      |

### BRAKE PART

| Symbol             | Parameter                            | Conditions                                                                               |            |            | Limits |      |      | Unit |
|--------------------|--------------------------------------|------------------------------------------------------------------------------------------|------------|------------|--------|------|------|------|
|                    |                                      |                                                                                          |            |            | Min.   | Typ. | Max. |      |
| V <sub>CEsat</sub> | Collector-Emitter Saturation Voltage | V <sub>D</sub> =15 V, I <sub>C</sub> =100A                                               | Tvj=25 °C  | Terminal   | -      | -    | 1.75 | V    |
|                    |                                      |                                                                                          |            | Chip       | -      | 1.3  | -    |      |
|                    |                                      | V <sub>CIN</sub> =0 V, Pulsed, (Fig.1)                                                   | Tvj=125 °C | Terminal   | -      | -    | 2.0  |      |
|                    |                                      |                                                                                          |            | Chip       | -      | 1.5  | -    |      |
| V <sub>FM</sub>    | Diode Forward Voltage                | I <sub>F</sub> =100A                                                                     | Tvj=25 °C  | Terminal   | -      | -    | 2.35 | V    |
|                    |                                      |                                                                                          |            | Chip       | -      | 1.75 | -    |      |
|                    |                                      |                                                                                          | Tvj=125 °C | Terminal   | -      | -    | 2.6  |      |
|                    |                                      |                                                                                          |            | Chip       | -      | 1.95 | -    |      |
| I <sub>CES</sub>   | Collector-Emitter Cut-off Current    | V <sub>CE</sub> =V <sub>CES</sub> , V <sub>D</sub> =15 V, V <sub>CIN</sub> =15 V (Fig.5) |            | Tvj=25 °C  | -      | -    | 1    | mA   |
|                    |                                      |                                                                                          |            | Tvj=125 °C | -      | -    | 10   |      |

# PM100RG1B120

HIGH POWER SWITCHING USE  
INSULATED TYPE

## ELECTRICAL CHARACTERISTICS (Tvj = 25°C, unless otherwise noted)

### CONTROL PART

| Symbol               | Parameter                        | Conditions                                                                                                                                                                     | Limits                           |      |      | Unit |    |
|----------------------|----------------------------------|--------------------------------------------------------------------------------------------------------------------------------------------------------------------------------|----------------------------------|------|------|------|----|
|                      |                                  |                                                                                                                                                                                | Min.                             | Typ. | Max. |      |    |
| I <sub>D</sub>       | Circuit Current                  | V <sub>D</sub> =15 V, V <sub>CIN</sub> =15 V                                                                                                                                   | V <sub>P1</sub> -V <sub>PC</sub> | -    | 4    | 6    | mA |
|                      |                                  |                                                                                                                                                                                | V <sub>N1</sub> -V <sub>NC</sub> | -    | 16   | 24   |    |
|                      |                                  | V <sub>D</sub> =15 V, V <sub>CIN</sub> =0 V ↔ 15 V, V <sub>CC</sub> =800 V<br>I <sub>C</sub> =0A, Tvj=125 °C, f <sub>C</sub> ≤20kHz                                            | V <sub>P1</sub> -V <sub>PC</sub> | -    | 29   | 35   |    |
|                      |                                  |                                                                                                                                                                                | V <sub>N1</sub> -V <sub>NC</sub> | -    | 103  | 120  |    |
| V <sub>th(ON)</sub>  | Input ON Threshold Voltage       | Applied between:                                                                                                                                                               | 1.2                              | 1.5  | 1.8  | V    |    |
| V <sub>th(OFF)</sub> | Input OFF Threshold Voltage      | U <sub>P</sub> -V <sub>UPC</sub> , V <sub>P</sub> -V <sub>VPC</sub> , W <sub>P</sub> -V <sub>WPC</sub> , U <sub>N</sub> , V <sub>N</sub> , W <sub>N</sub> , Br-V <sub>NC</sub> | 1.7                              | 2.0  | 2.3  |      |    |
| SC                   | Short Circuit Trip Level         | -20≤Tvj≤125 °C, V <sub>D</sub> =15 V (Fig.3, 6)                                                                                                                                | Inverter                         | 200  | -    | -    | A  |
|                      |                                  |                                                                                                                                                                                | Brake                            | 100  | -    | -    |    |
| t <sub>d(SC)</sub>   | Short Circuit Current Delay Time | V <sub>D</sub> =15 V, Tvj=125 °C (Fig.3, 6)                                                                                                                                    | -                                | 2.0  | -    | μs   |    |
| OT                   | Over Temperature Protection      | Detect temperature of IGBT chip surface                                                                                                                                        | Trip level                       | 150  | -    | -    | °C |
|                      |                                  |                                                                                                                                                                                | Hysteresis                       | -    | 20   | -    |    |
| UV <sub>t</sub>      | Supply Circuit                   | -                                                                                                                                                                              | Trip level                       | 11.0 | 12.0 | 12.7 | V  |
| UV <sub>r</sub>      | Under-Voltage Protection         |                                                                                                                                                                                | Reset level                      | -    | 12.5 | -    |    |
| I <sub>FO(H)</sub>   | Fault Output Current             | V <sub>D</sub> =15 V, V <sub>FO</sub> =15 V (Note3)                                                                                                                            | -                                | -    | 0.01 | mA   |    |
| I <sub>FO(L)</sub>   |                                  |                                                                                                                                                                                | -                                | 10   | 15   |      |    |
| t <sub>FO</sub>      | Fault Output Pulse Width         | V <sub>D</sub> =15 V (Note3)                                                                                                                                                   | OT                               | -    | 8.0  | -    | ms |
|                      |                                  |                                                                                                                                                                                | UV                               | -    | 4.0  | -    |    |
|                      |                                  |                                                                                                                                                                                | SC                               | -    | 2.0  | -    |    |

Note3. Fault output is given only when the internal SC, OT & UV protections schemes of either upper or lower arm device operate to protect it.

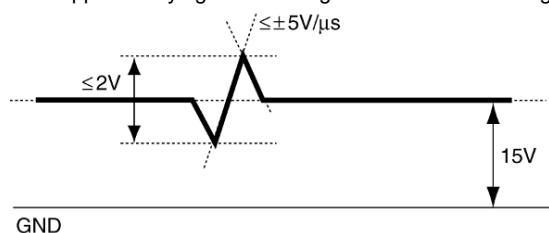
### MECHANICAL RATINGS AND CHARACTERISTICS

| Symbol         | Parameter       | Conditions                    | Limits |      |      | Unit |
|----------------|-----------------|-------------------------------|--------|------|------|------|
|                |                 |                               | Min.   | Typ. | Max. |      |
| M <sub>s</sub> | Mounting Torque | Mounting part screw : M5      | 2.5    | 3.0  | 3.5  | N•m  |
| M <sub>t</sub> | Mounting Torque | Main terminal part screw : M4 | 1.5    | 1.7  | 2.0  |      |
| m              | mass            | -                             | -      | 260  | -    | g    |

### RECOMMENDED CONDITIONS FOR USE

| Symbol                | Parameter                       | Conditions                                                                                                                                                                                          | Recommended value | Unit |
|-----------------------|---------------------------------|-----------------------------------------------------------------------------------------------------------------------------------------------------------------------------------------------------|-------------------|------|
| V <sub>CC</sub>       | Supply Voltage                  | Applied across P-N terminals                                                                                                                                                                        | ≤ 800             | V    |
| V <sub>D</sub>        | Control Supply Voltage          | Applied between :<br>V <sub>UP1</sub> -V <sub>UPC</sub> , V <sub>VP1</sub> -V <sub>VPC</sub> , V <sub>WP1</sub> -V <sub>WPC</sub> , V <sub>N1</sub> -V <sub>NC</sub> (Note4)                        | 15.0±1.5          | V    |
| V <sub>CIN(ON)</sub>  | Input ON Voltage                | Applied between :<br>U <sub>P</sub> -V <sub>UPC</sub> , V <sub>P</sub> -V <sub>VPC</sub> , W <sub>P</sub> -V <sub>WPC</sub> , U <sub>N</sub> , V <sub>N</sub> , W <sub>N</sub> , Br-V <sub>NC</sub> | ≤ 0.8             | V    |
| V <sub>CIN(OFF)</sub> | Input OFF Voltage               |                                                                                                                                                                                                     | ≥ 9.0             |      |
| f <sub>PWM</sub>      | PWM Input Frequency             | Using Application Circuit of Fig. 8                                                                                                                                                                 | ≤ 20              | kHz  |
| t <sub>dead</sub>     | Arm Shoot-through Blocking Time | For IPM's each input signals (Fig.7)                                                                                                                                                                | ≥ 2.5             | μs   |

Note4. With ripple satisfying the following conditions: dv/dt swing ≤ ±5 V/μs, Variation ≤ 2 V peak to peak



Note5. Long term performance related to thermal conductive material such as thermal grease (including but not limited to aspects such as the increase of thermal resistance due to pumping out, etc.) should be verified under your specific application conditions. Each temperature condition (Tvj, Tc) must be maintained below the maximum rated temperature throughout consideration of the temperature rise even for long term usage.

# PM100RG1B120

HIGH POWER SWITCHING USE  
INSULATED TYPE

## PRECAUTIONS FOR TESTING

1. Before applying any control supply voltage ( $V_D$ ), the input terminals should be pulled up by resistors, etc. to their corresponding supply voltage and each input signal should be kept off state.

After this, the specified ON and OFF level setting for each input signal should be done.

2. When performing "SC" tests, the turn-off surge voltage spike at the corresponding protection operation should not be allowed to rise above  $V_{CES}$  rating of the device.

(These test should not be done by using a curve tracer or its equivalent.)



Fig.1  $V_{CESat}$  Test

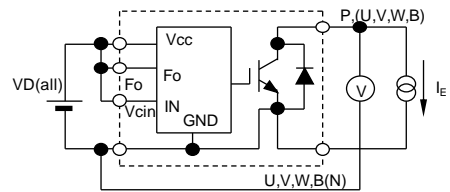


Fig.2  $V_{EC}$  Test

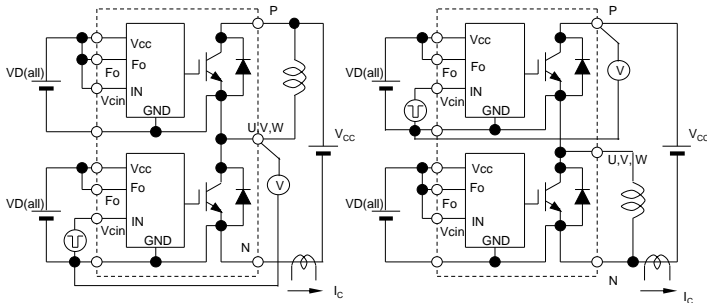


Fig.3 Switching time and SC test circuit

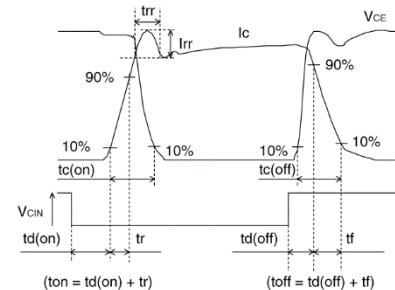


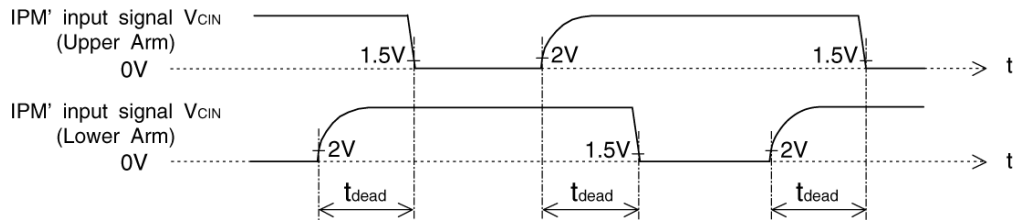
Fig.4 Switching time test waveform



Fig.5  $I_{CES}$  Test



Fig.6 SC test waveform



1.5V: Input on threshold voltage  $V_{th(on)}$  typical value, 2V: Input off threshold voltage  $V_{th(off)}$  typical value

Fig. 7 Dead time measurement point example

# PM100RG1B120

HIGH POWER SWITCHING USE  
INSULATED TYPE

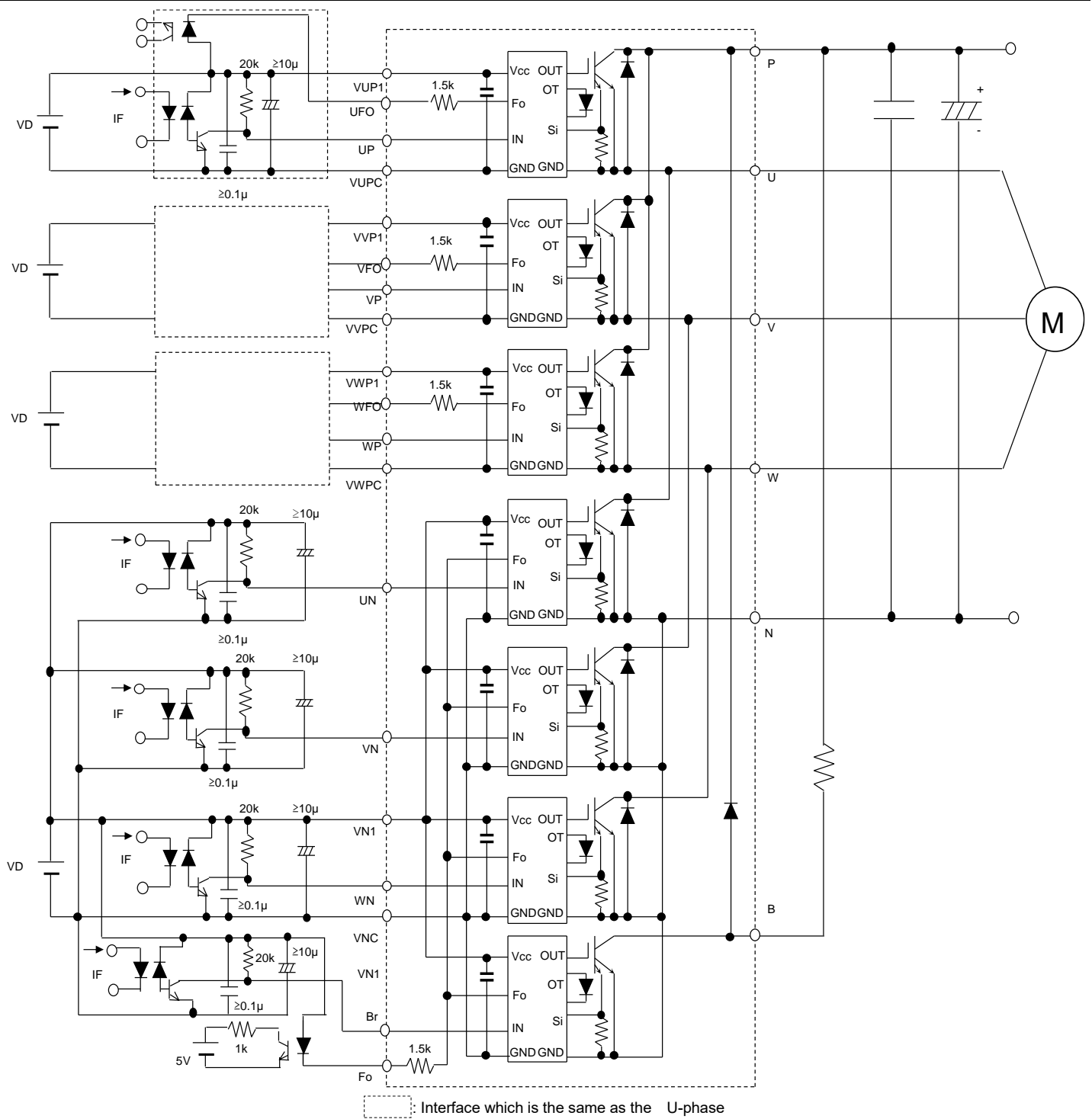


Fig. 8 Application Example Circuit

### NOTES FOR STABLE AND SAFE OPERATION ;

- Design the PCB pattern to minimize wiring length between opto-coupler and IPM's input terminal, and also to minimize the stray capacity between the input and output wirings of opto-coupler.
- Connect low impedance capacitor between the Vcc and GND terminal of each fast switching opto-coupler.
- Fast switching opto-couplers:  $t_{PLH}, t_{PHL} \leq 0.8\mu s$ , Use High CMR type.
- Slow switching opto-coupler: CTR > 100% (\*can be applied to Brake part input signal, in this case, resistor should be selected properly).
- Use 4 isolated control power supplies (VD). Also, care should be taken to minimize the instantaneous voltage charge of the power supply.
- Make inductance of DC bus line as small as possible, and minimize surge voltage using snubber capacitor between P and N terminal.

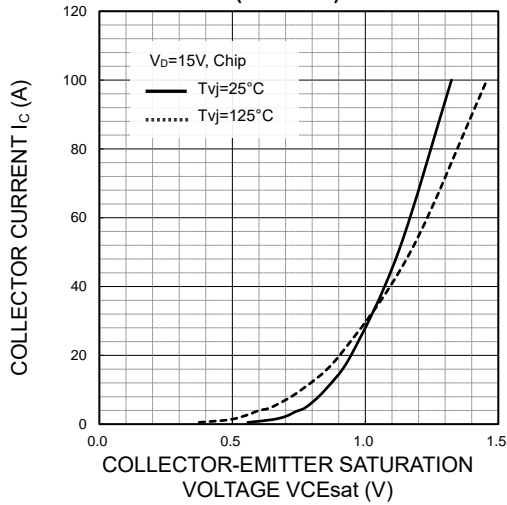
# PM100RG1B120

HIGH POWER SWITCHING USE  
INSULATED TYPE

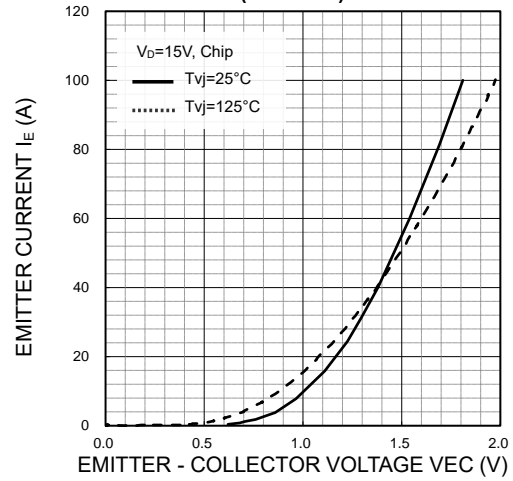
## PERFORMANCE CURVES

Inverter part

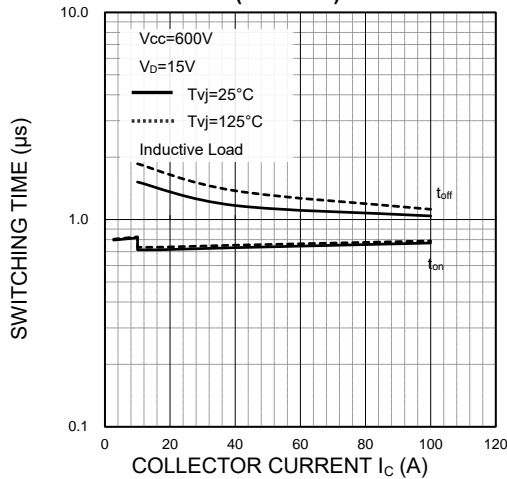
**COLLECTOR-EMITTER SATURATION VOLTAGE (VS.  $I_C$ ) CHARACTERISTICS (TYPICAL)**



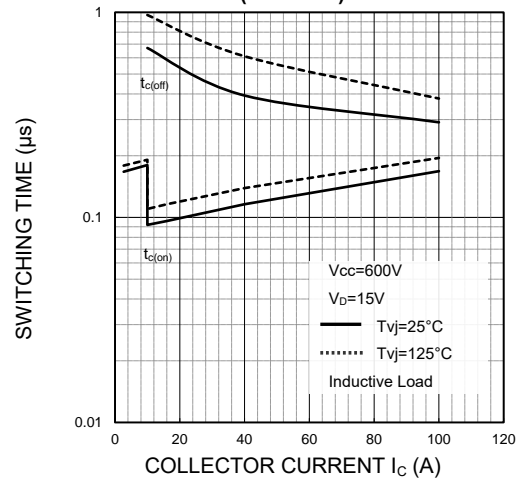
**FREE WHEELING DIODE FORWARD CHARACTERISTICS (TYPICAL)**



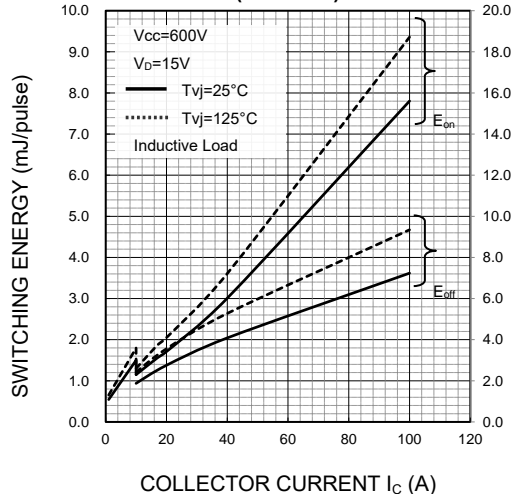
**SWITCHING TIME ( $t_{on}$ ,  $t_{off}$ ) CHARACTERISTICS (TYPICAL)**



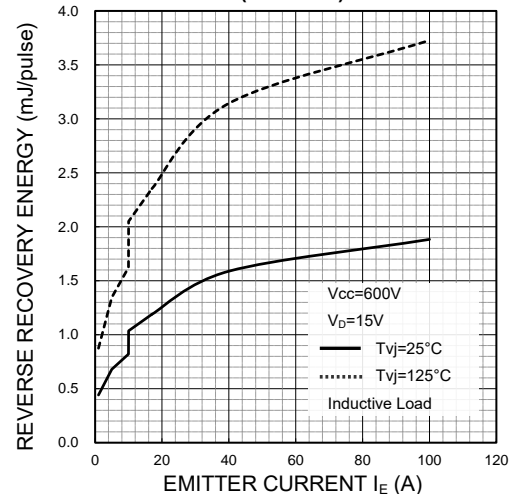
**SWITCHING TIME ( $t_{c(on)}$ ,  $t_{c(off)}$ ) CHARACTERISTICS (TYPICAL)**



**SWITCHING ENERGY CHARACTERISTICS (TYPICAL)**



**FREE WHEELING DIODE REVERSE RECOVERY ENERGY CHARACTERISTICS (TYPICAL)**

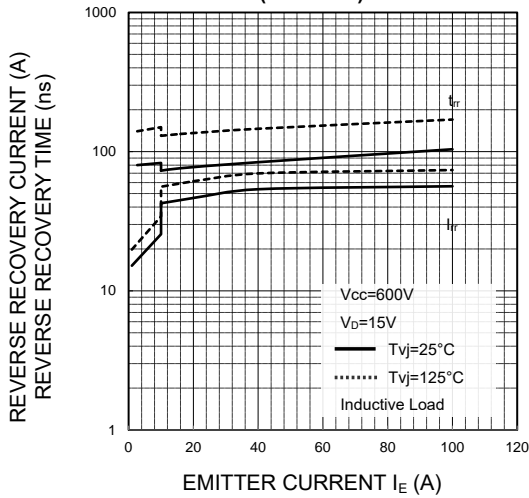




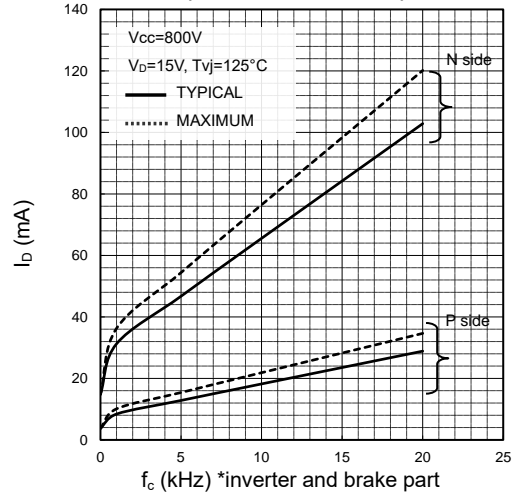
# PM100RG1B120

HIGH POWER SWITCHING USE  
INSULATED TYPE

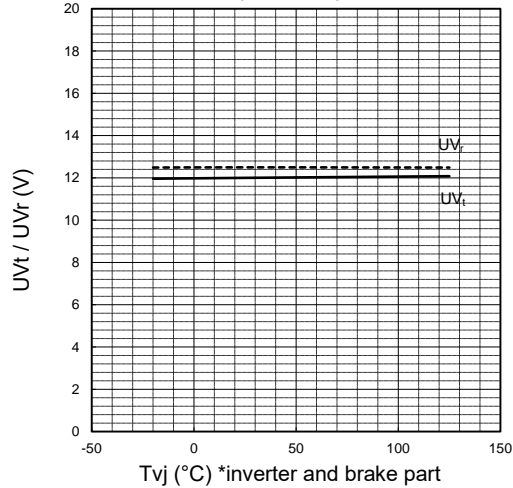
**FREE WHEELING DIODE REVERSE RECOVERY CHARACTERISTICS (TYPICAL)**



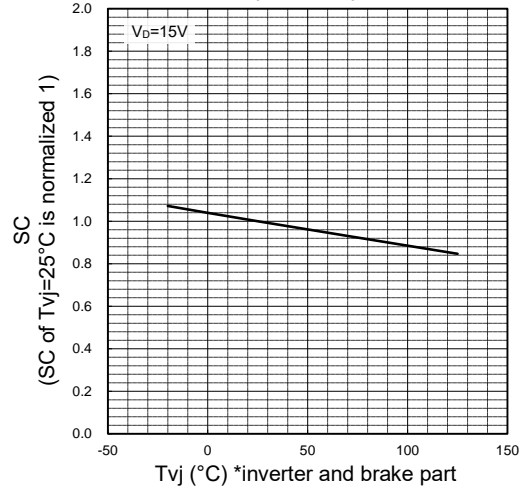
**$I_D$  VS.  $f_c$  CHARACTERISTICS (TYPICAL, MAXIMUM)**



**UV TRIP LEVEL VS.  $T_{vj}$  CHARACTERISTICS (TYPICAL)**

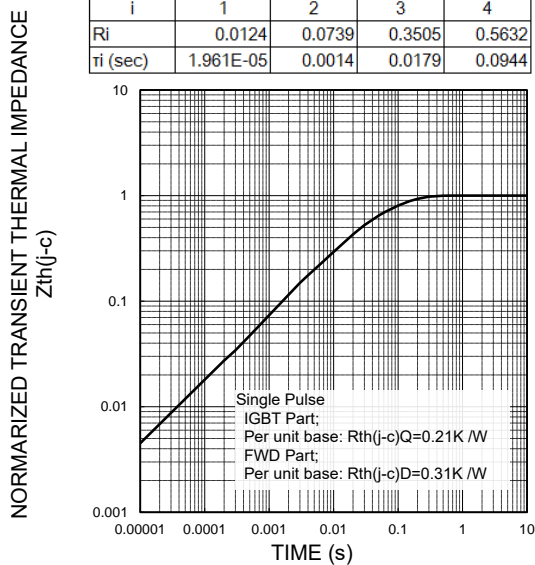


**SC TRIP LEVEL VS.  $T_{vj}$  CHARACTERISTICS (TYPICAL)**



**TRANSIENT THERMAL IMPEDANCE CHARACTERISTICS (TYPICAL)**

| i              | 1         | 2      | 3      | 4      |
|----------------|-----------|--------|--------|--------|
| $R_i$          | 0.0124    | 0.0739 | 0.3505 | 0.5632 |
| $\tau_i$ (sec) | 1.961E-05 | 0.0014 | 0.0179 | 0.0944 |



# PM100RG1B120

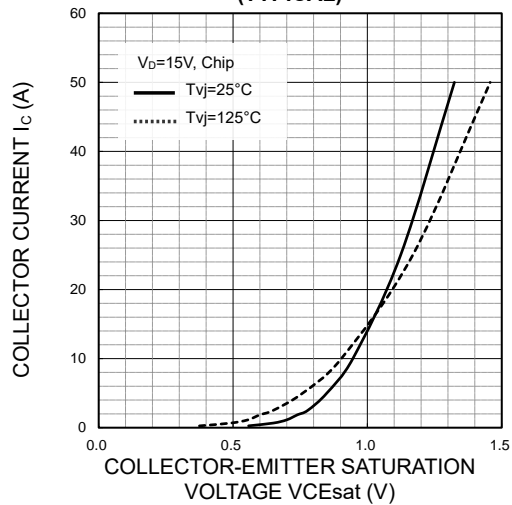
HIGH POWER SWITCHING USE

INSULATED TYPE

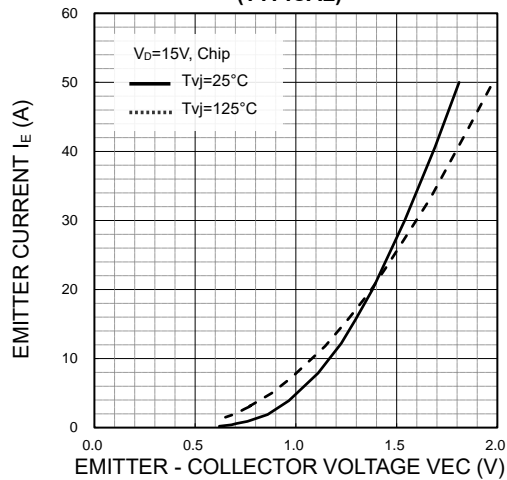
## PERFORMANCE CURVES

Brake part

**COLLECTOR-EMITTER SATURATION VOLTAGE (VS.  $I_c$ ) CHARACTERISTICS (TYPICAL)**

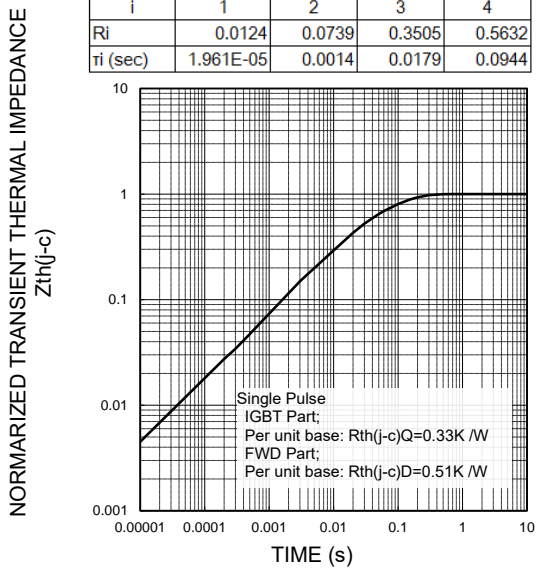


**FREE WHEELING DIODE FORWARD CHARACTERISTICS (TYPICAL)**



**TRANSIENT THERMAL IMPEDANCE CHARACTERISTICS (TYPICAL)**

| i        | 1         | 2      | 3      | 4      |
|----------|-----------|--------|--------|--------|
| Ri       | 0.0124    | 0.0739 | 0.3505 | 0.5632 |
| ti (sec) | 1.961E-05 | 0.0014 | 0.0179 | 0.0944 |



**Note:**

The characteristics curves are presented for reference only and not guaranteed by production test, unless otherwise noted.

## PM100RG1B120

HIGH POWER SWITCHING USE  
INSULATED TYPE

---

### **Important Notice**

The information contained in this datasheet shall in no event be regarded as a guarantee of conditions or characteristics. This product has to be used within its specified maximum ratings, and is subject to customer's compliance with any applicable legal requirement, norms and standards.

Except as otherwise explicitly approved by Mitsubishi Electric Corporation in a written document signed by authorized representatives of Mitsubishi Electric Corporation, our products may not be used in any applications where a failure of the product or any consequences of the use thereof can reasonably be expected to result in personal injury.

In usage of power semiconductor, there is always the possibility that trouble may occur with them by the reliability lifetime such as Power Cycle, Thermal Cycle or others, or when used under special circumstances (e.g. condensation, high humidity, dusty, salty, highlands, environment with lots of organic matter / corrosive gas / explosive gas, or situations which terminals of semiconductor products receive strong mechanical stress). Therefore, please pay sufficient attention to such circumstances. Further, depending on the technical requirements, our semiconductor products may contain environmental regulation substances, etc. If there is necessity of detailed confirmation, please contact our nearest sales branch or distributor.

The contents or data contained in this datasheet are exclusively intended for technically trained staff. Customer's technical departments should take responsibility to evaluate the suitability of Mitsubishi Electric Corporation product for the intended application and the completeness of the product data with respect to such application. In the customer's research and development, please evaluate it not only with a single semiconductor product but also in the entire system, and judge whether it's applicable. As required, pay close attention to the safety design by installing appropriate fuse or circuit breaker between a power supply and semiconductor products to prevent secondary damage. Please also pay attention to the application note and the related technical information.

### **Keep safety first in your circuit designs!**

Mitsubishi Electric Corporation puts the maximum effort into making semiconductor products better and more reliable, but there is always the possibility that trouble may occur with them. Trouble with semiconductors may lead to personal injury, fire or property damage. Remember to give due consideration to safety when making your circuit designs, with appropriate measures such as (i) placement of substitutive, auxiliary circuits, (ii) use of non-flammable material or (iii) prevention against any malfunction or mishap.

### **Notes regarding these materials**

- These materials are intended as a reference to assist our customers in the selection of the Mitsubishi Electric Semiconductor product best suited to the customer's application; they do not convey any license under any intellectual property rights, or any other rights, belonging to Mitsubishi Electric Corporation or a third party.
- Mitsubishi Electric Corporation assumes no responsibility for any damage, or infringement of any third-party's rights, originating in the use of any product data, diagrams, charts, programs, algorithms, or circuit application examples contained in these materials.
- All information contained in these materials, including product data, diagrams, charts, programs and algorithms represents information on products at the time of publication of these materials, and are subject to change by Mitsubishi Electric Corporation without notice due to product improvements or other reasons. It is therefore recommended that customers contact Mitsubishi Electric Corporation or an authorized Mitsubishi Electric Semiconductor product distributor for the latest product information before purchasing a product listed herein.  
The information described here may contain technical inaccuracies or typographical errors. Mitsubishi Electric Corporation assumes no responsibility for any damage, liability, or other loss rising from these inaccuracies or errors.  
Please also pay attention to information published by Mitsubishi Electric Corporation by various means, including the Mitsubishi Electric Semiconductor home page (<http://www.MitsubishiElectric.com/semiconductors/>).
- When using any or all of the information contained in these materials, including product data, diagrams, charts, programs, and algorithms, please be sure to evaluate all information as a total system before making a final decision on the applicability of the information and products. Mitsubishi Electric Corporation assumes no responsibility for any damage, liability or other loss resulting from the information contained herein.
- Mitsubishi Electric Corporation semiconductors are not designed or manufactured for use in a device or system that is used under circumstances in which human life is potentially at stake. Please contact Mitsubishi Electric Corporation or an authorized Mitsubishi Electric Semiconductor product distributor when considering the use of a product contained herein for any specific purposes, such as apparatus or systems for transportation, vehicular, medical, aerospace, nuclear, or undersea repeater use.
- The prior written approval of Mitsubishi Electric Corporation is necessary to reprint or reproduce in whole or in part these materials.
- If these products or technologies are subject to the Japanese export control restrictions, they must be exported under a license from the Japanese government and cannot be imported into a country other than the approved destination.  
Any diversion or re-export contrary to the export control laws and regulations of Japan and/or the country of destination is prohibited.
- Please contact Mitsubishi Electric Corporation or an authorized Mitsubishi Electric Semiconductor product distributor for further details on these materials or the products contained therein.

Generally the listed company name and the brand name are the trademarks or registered trademarks of the respective companies.