

<HVIC>

M81748FP

1200V HIGH VOLTAGE HALF BRIDGE DRIVER

DESCRIPTION

M81748FP is high voltage Power MOSFET and IGBT gate driver for half bridge applications.

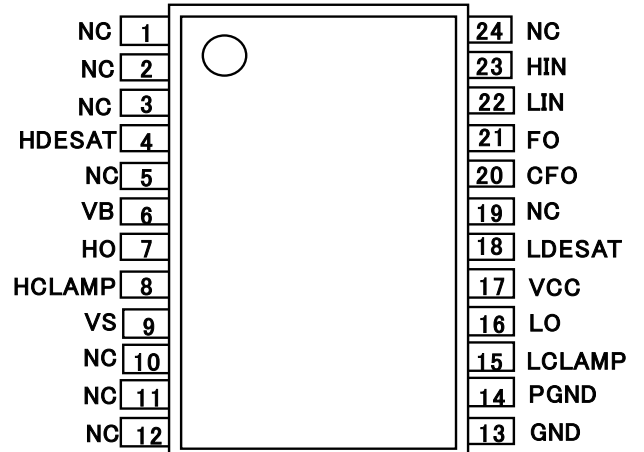
FEATURES

- Floating supply voltage up to 1200V
- Low quiescent power supply current
- Separate sink and source current output up to $\pm 2A$ (typ)
- Active Miller clamp NMOS with sink current up to 2A (typ)
- Input noise filters (HIN, LIN, FO)
- Desat detection and protection with output soft shutdown
- Under voltage lockout
- Synchronization signal to synchronize shutdown with other phases
- 24-Lead SSOP PACKAGE

APPLICATIONS

Power MOSFET and IGBT gate driver for Medium and Micro inverter or general purpose.

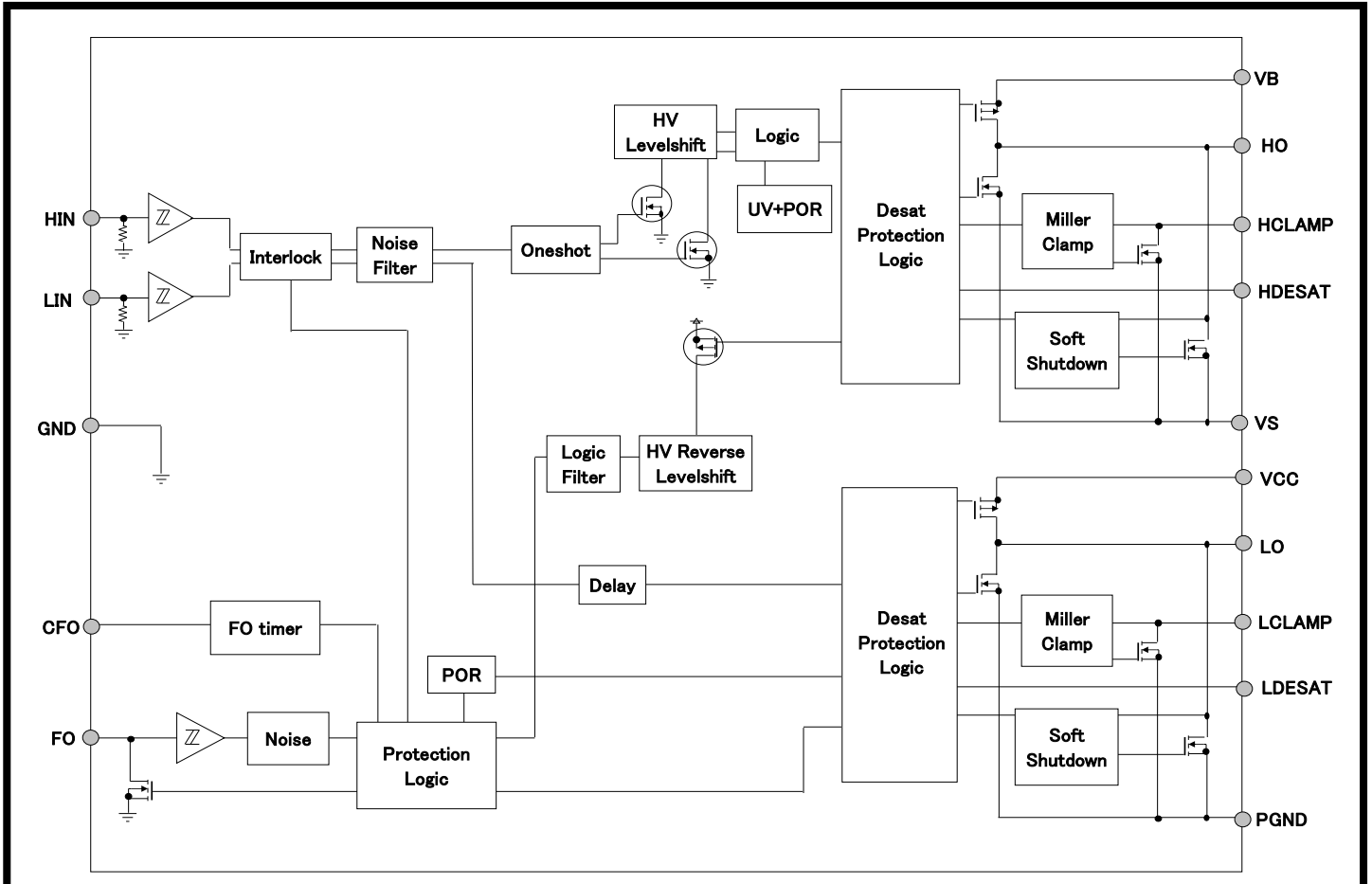
PIN CONFIGURATION (TOP VIEW)



Outline:SSOP24

NC:NO CONNECTION

BLOCK DIAGRAM



M81748FP

1200V HIGH VOLTAGE HALF BRIDGE DRIVER

ABSOLUTE MAXIMUM RATINGS

Absolute maximum ratings indicate limitation beyond which destruction of device may occur. All voltage parameters are absolute voltage reference to GND unless otherwise specified.

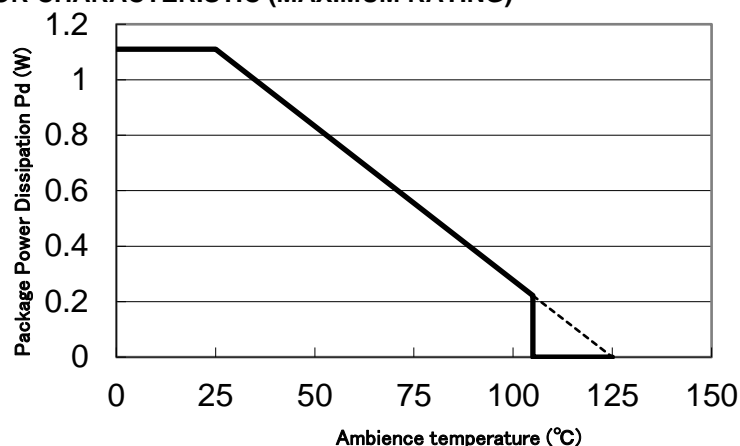
Symbol	Parameter	Test conditions	Rating	Unit
V_B	High side floating supply absolute voltage		-0.5~1224	V
V_S	High side floating supply offset voltage		$V_B - 24 \sim V_B + 0.5$	V
V_{BS}	High side floating supply voltage	$V_{BS} = V_B - V_S$	-0.5~24	V
V_{HO}	High side output voltage		$V_S - 0.5 \sim V_B + 0.5$	V
V_{HCLAMP}	High side CLAMP input/output voltage		$V_S - 0.5 \sim V_B + 0.5$	V
V_{HDESAT}	High side DESAT input/output voltage		$V_S - 0.5 \sim V_B + 0.5$	V
V_{CC}	Low side fixed supply voltage		-0.5~24	V
V_{LO}	Low side output voltage		-0.5~ $V_{CC} + 0.5$	V
V_{LCLAMP}	Low side CLAMP input/output voltage		-0.5~ $V_{CC} + 0.5$	V
V_{LDESAT}	Low side DESAT input/output voltage		-0.5~ $V_{CC} + 0.5$	V
V_{IN}	Logic input voltage	HIN, LIN	-0.5~ $V_{CC} + 0.5$	V
V_{FO}	FO input/output voltage		-0.5~ $V_{CC} + 0.5$	V
dV_S/dt	Allowable offset voltage slew rate	$V_S - GND$ and PGND	±50	V/ns
P_d	Package power dissipation	$T_a = 25^\circ C$, On our standard PCB	~1.11	W
K_q	Linear derating factor	$T_a \geq 25^\circ C$, On our standard PCB	~11.1	mW/°C
$R_{th(j-a)}$	Junction-ambient air thermal resistance	On our standard PCB	~90	°C/W
T_j	Junction temperature		-40~125	°C
T_{opr}	Operation temperature		-40~105	°C
T_{stg}	Storage temperature	On PCB	-55~150	°C
TL	Solder reflow condition	Pb-free	255:10s, max260	°C

RECOMMENDED OPERATING CONDITIONS

For proper operation the device should be used within the recommended conditions. All voltage parameters are absolute voltages referenced to GND unless otherwise specified.

Symbol	Parameter	Test conditions	Limits			Unit
			Min.	Typ.	Max.	
V_B	High side floating supply absolute voltage		$V_S + 13.5$	$V_S + 15$	$V_S + 20$	V
V_S	High side floating supply offset voltage	$V_{BS} > 13.5V$	-5	-	900	V
V_{BS}	High side floating supply voltage	$V_{BS} = V_B - V_S$	13.5	15	20	V
V_{HO}	High side output voltage		V_S	-	$V_S + 20$	V
V_{HCLAMP}	High side CLAMP input/output voltage		V_S	-	$V_S + 20$	V
V_{HDESAT}	High side DESAT input/output voltage		V_S	-	$V_S + 20$	V
V_{CC}	Low side fixed supply voltage		13.5	15	20	V
V_{LO}	Low side output voltage		0	-	V_{CC}	V
V_{LCLAMP}	Low side CLAMP input/output voltage		0	-	V_{CC}	V
V_{LDESAT}	Low side DESAT input/output voltage		0	-	V_{CC}	V
V_{IN}	Logic input voltage	HIN, LIN,	0	-	V_{CC}	V
V_{FO}	FO input/output voltage		0	-	V_{CC}	V

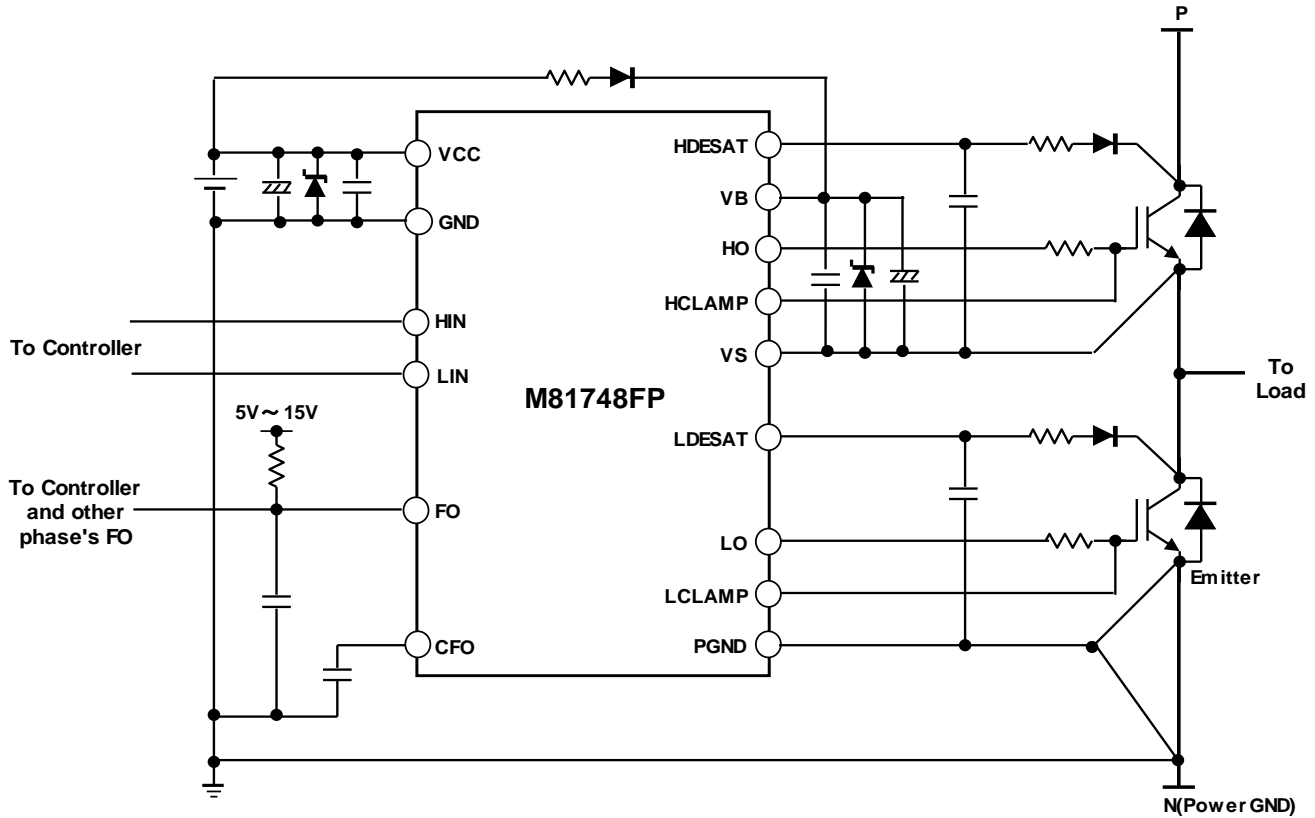
THERMAL DERATING FACTOR CHARACTERISTIC (MAXIMUM RATING)



M81748FP

1200V HIGH VOLTAGE HALF BRIDGE DRIVER

TYPICAL CONNECTION



Note: If HVIC is working in high noise environment, it is recommended to connect a 1nF ceramic capacitor to FO pin. It is recommended to connect PGND pin to Emitter and Power GND(N). If PGND pin is not connected to Power GND(N), please pay attention to a noise between PGND pin and Power GND(N).

M81748FP

1200V HIGH VOLTAGE HALF BRIDGE DRIVER

ELECTRICAL CHARACTERISTICS (Ta=25°C, VCC=VBS (=VB-VS)=15V, unless otherwise specified)

Symbol	Parameter	Test conditions	Limits			Unit
			Min.	Typ.	Max.	
I _{FS}	High side leakage current	V _B = V _S = 1200V	-	-	10	uA
I _{BS}	V _{BS} quiescent supply current	HIN = LIN = 0V	-	0.7	1.4	mA
I _{CC}	V _{CC} quiescent supply current	HIN = LIN = 0V	-	1.2	2.4	mA
V _{OH}	High level output voltage	I _O = 20mA, HO, LO	14.5	-	-	V
V _{OL}	Low level output voltage	I _O = -20mA, HO, LO	-	-	0.5	V
V _{IH}	High level input threshold voltage	HIN, LIN	4.0	-	-	V
V _{IL}	Low level input threshold voltage	HIN, LIN	-	-	1.0	V
I _{IH}	High level input bias current	V _{IN} = 5V	0.6	1.0	1.4	mA
I _{IL}	Low level input bias current	V _{IN} = 0V	0.00	0.00	0.01	mA
t _{Filter}	Input signals filter time	HIN on-pulse	100	-	500	ns
		HIN off-pulse	100	-	500	ns
		LIN on-pulse	100	-	500	ns
		LIN off-pulse	100	-	500	ns
		FO off-pulse	100	-	500	ns
V _{HCT}	High side active Miller clamp NMOS input threshold voltage	V _{IN} = 0V	-	3.0	4.0	V
V _{LCT}	Low side active Miller clamp NMOS input threshold voltage	V _{IN} = 0V	-	3.0	4.0	V
T _W	Active Miller clamp NMOS filter time	V _{IN} = 0V	-	400	-	ns
V _{OLFO}	Low level FO output voltage	I _{FO} = 1mA	-	-	0.4	V
V _{IHFO}	High level FO input threshold voltage		4.0	-	-	V
V _{ILFO}	Low level FO input threshold voltage		-	-	1.0	V
V _{BSuvr}	V _{BS} supply UV reset voltage		10.5	11.5	12.5	V
V _{BSvtr}	V _{BS} supply UV trip voltage		9.7	10.7	11.7	V
V _{BSuvh}	V _{BS} supply UV hysteresis voltage	V _{BSuvh} = V _{BSuvr} - V _{BSvtr}	0.4	0.8	-	V
t _{BSuv}	V _{BS} supply UV filter time		4	8	16	us
V _{LPOR}	Low side VCC POR trip voltage		7.0	9.0	11.0	V
I _{OH}	Output high level short circuit pulsed current	HO(LO) = 0V, V _{IN} = 5V, PW ≤ 10us	1.6	2.0	-	A
I _{OL1}	Output low level short circuit pulsed current	HO(LO) = 15V, V _{IN} = 0V, PW ≤ 10us	-1.6	-2.0	-	A
I _{OL2}	Active Miller clamp NMOS output low level short circuit pulsed current	HCLAMP(LCLAMP) = 15V, V _{IN} = 0V, PW ≤ 10us	-1.6	-2.0	-	A
tdLH(HO)	High side turn-on propagation delay	HO short to HCLAMP, CL = 1nF	0.7	1.0	1.3	us
tdHL(HO)	High side turn-off propagation delay	HO short to HCLAMP, CL = 1nF	0.7	1.0	1.3	us
tdLH(LO)	Low side turn-on propagation delay	LO short to LCLAMP, CL = 1nF	0.7	1.0	1.3	us
tdHL(LO)	Low side turn-off propagation delay	LO short to LCLAMP, CL = 1nF	0.7	1.0	1.3	us
t _r	Output turn-on rise time	CL = 1nF	5	20	40	ns
t _f	Output turn-off fall time	CL = 1nF	5	20	40	ns
DtdLH	Delay matching, high side turn-on and low side turn-off	tdLH(HO)-tdHL(LO)	-0.15	0.00	0.15	us
DtdHL	Delay matching, high side turn-off and low side turn-on	tdLH(LO)-tdHL(HO)	-0.15	0.00	0.15	us
I _{CHG}	Blanking Capacitor Charging Current	V _{DESAT} = 2V	-0.13	-0.24	-0.33	mA
I _{DSCHG}	Blanking Capacitor Discharge Current	V _{DESAT} = 7V	10	30	-	mA
V _{DESAT}	DESAT Threshold		6	6.5	7.5	V
t _{DESAT(90%)}	DESAT Sense to 90%VO Delay	CL = 1nF	-	0.17	0.34	us
t _{DESAT(10%)}	DESAT Sense to 10%VO Delay	CL = 1nF	-	0.30	0.60	us
t _{DESAT(FAULT)_H}	HDESAT Sense to Low Level FAULT Signal Delay	R _F = 15kΩ	-	0.40	0.50	us
t _{DESAT(FAULT)_L}	LDESAT Sense to Low Level FAULT Signal Delay	R _F = 15kΩ	-	0.25	0.50	us
t _{DESAT(LOW)}	DESAT Sense to DESAT Low Propagation Delay	C _{DESAT} = 1nF	-	0.25	-	us
t _{FO}	FO timer	CFO=1nF	-	110	-	us

Note: Typ is not specified

M81748FP

1200V HIGH VOLTAGE HALF BRIDGE DRIVER

FUNCTION TABLE (Q: Keep previous status)

HIN	LIN	FO (Input)	HDESAT	LDESAT	V _{BS} /UV	HO	LO	FO (Output)	Behavioral status
L	L	-	L	L	H	L	L	H	
L	H	-	L	L	H	L	H	H	
H	L	-	L	L	H	H	L	H	
H	H	-	L	L	H	L	L	H	Interlock active
H	X	-	H	X	H	L	L	L	Hige side DESAT
X	H	-	X	H	H	L	L	L	Low side DESAT
X	X	L	X	X	X	L	L	-	Output shuts down when FO = L
X	H	-	L	L	L	L	H	H	V _{BS} power reset is tripping when LIN = H

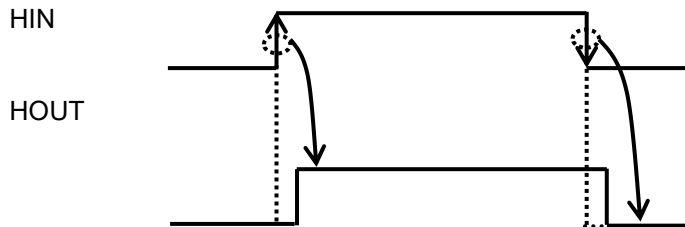
Note1 : "L" status of VBS/UV indicates a high side UV condition.

Note2 : In the case of both input signals (HIN and LIN) are "H", output signals (HO and LO) keep previous status.

Note3 : X (HIN) : L→H or H→L. Other : H or L.

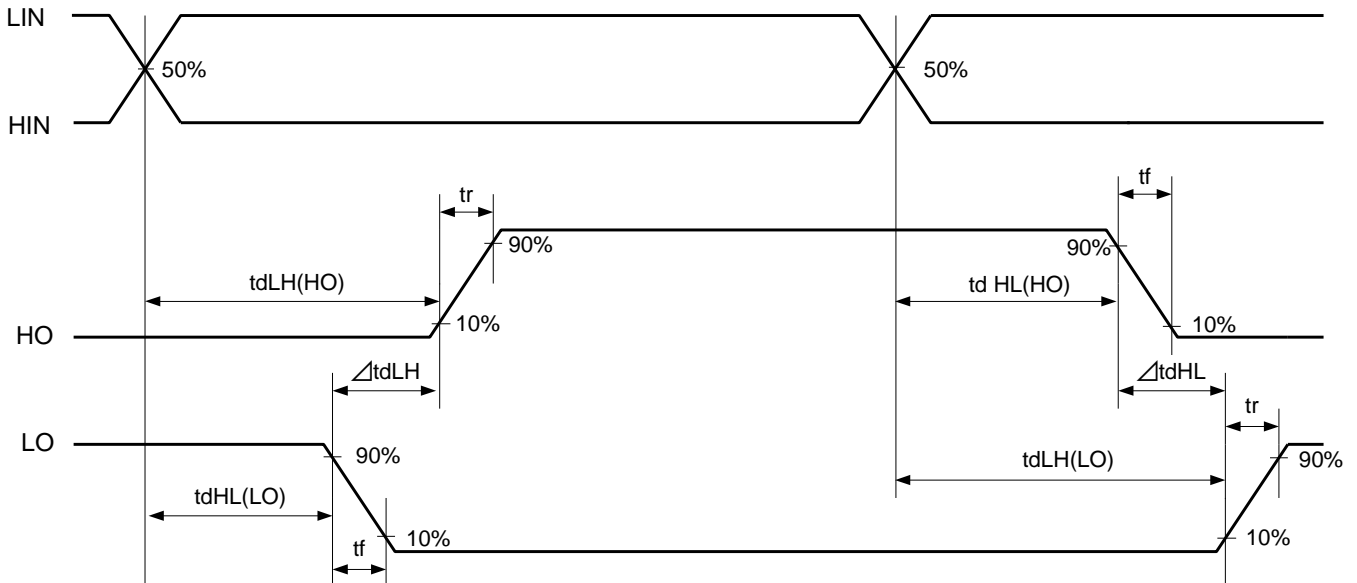
Note4 : Output signal (HO) is triggered by the edge of input signal.

Note5 : Please see FUNCTIONAL DESCRIPTION 7(p.8) for detailed sequences of desaturation



FUNCTIONAL DESCRIPTION

1. INPUT/OUTPUT TIMING DIAGRAM

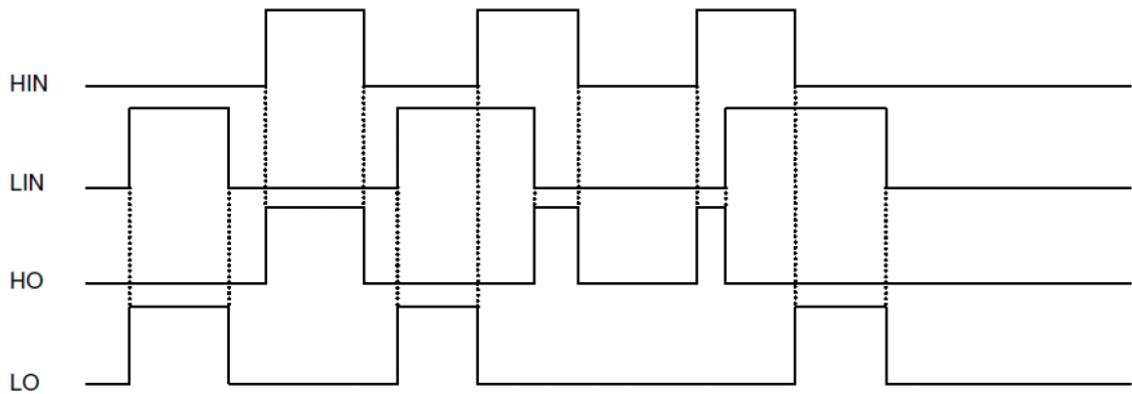


M81748FP

1200V HIGH VOLTAGE HALF BRIDGE DRIVER

2. INPUT/OUTPUT TIMING DIAGRAM

When the input signals (HIN/LIN) are high level at the same time, the outputs (HO/LO) shuts down.

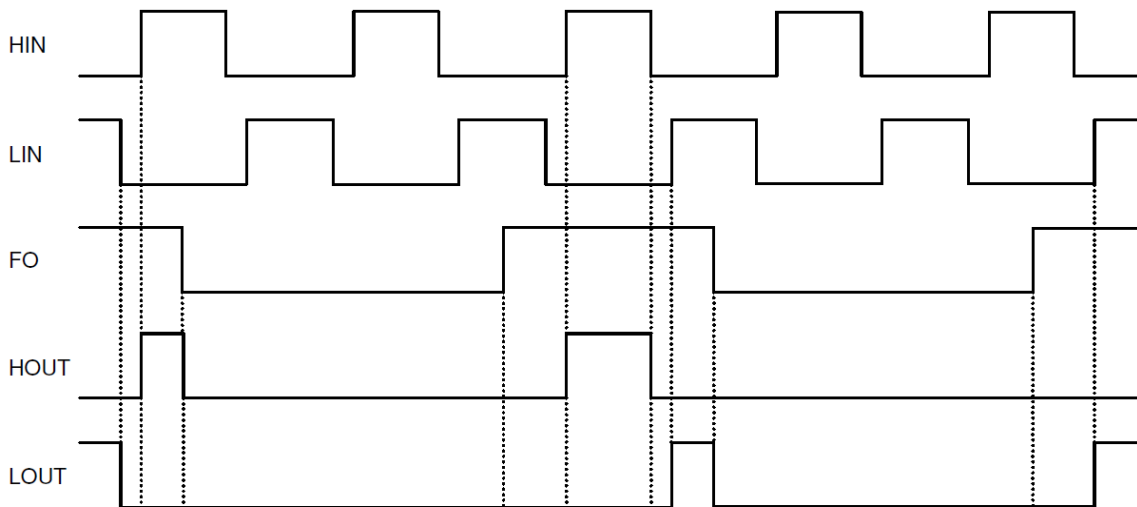


Note1 : The minimum input pulse width at HIN/LIN should be to more than 500ns (because of HIN/LIN input noise filter circuit).

Note2 : Delay times between input and output signals are not shown in the figure above.

3. FO INPUT TIMING DIAGRAM

When FO is pulled down to low level in case the FO of other phases becomes low level (fault happened) or the MCU/DSP sets FO to low level, the outputs (HOUT, LOUT) of the driver will be shut down. As soon as FO goes high again, the output will respond to the following active input signal.



Note1 : Delay times between input and output signals are not shown in the figure above.

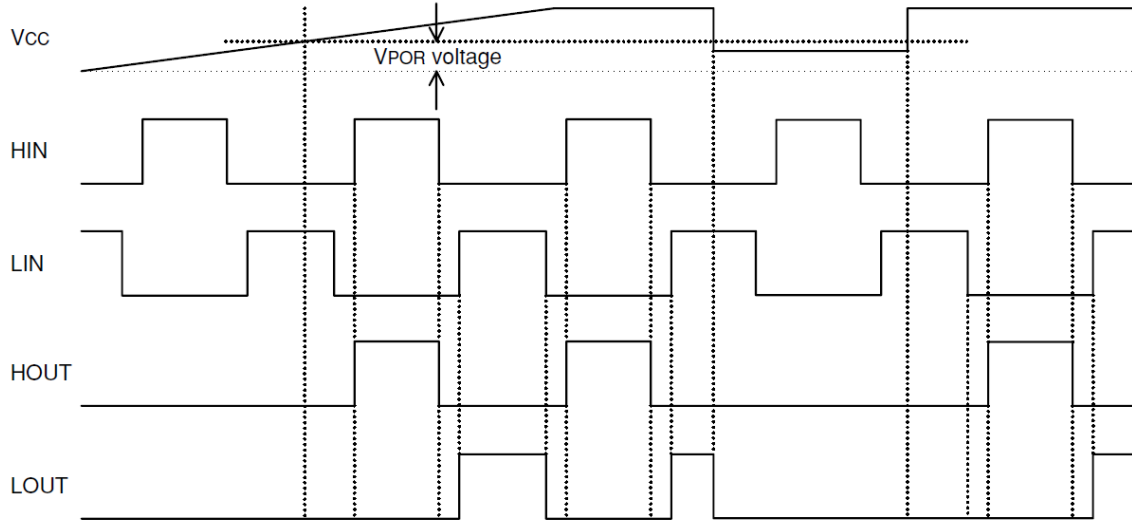
Note2 : The minimum FO pulse width should be more than 500ns (because of FO input filter circuit).

M81748FP

1200V HIGH VOLTAGE HALF BRIDGE DRIVER

4. LOW SIDE VCC SUPPLY POWER RESET SEQUENCE

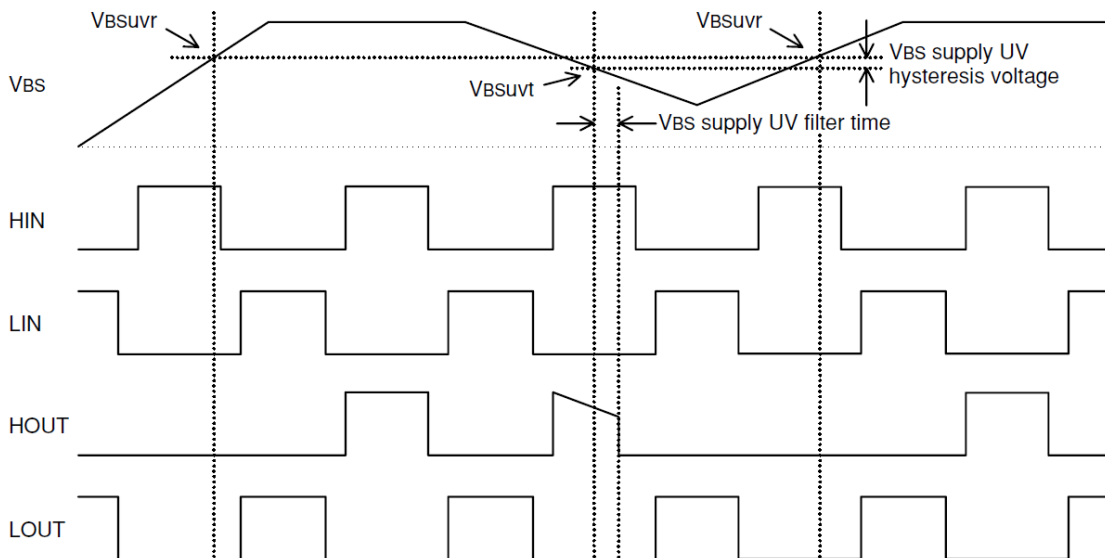
When the VCC supply voltage is lower than power reset trip voltage, the power reset gets active and the outputs (LOUT) become "L". As soon as the VCC supply voltage goes higher than the power reset trip voltage, the outputs will respond to the following active input signals.



Note1 : Delay times between input and output signals are not shown in the figure above

5. HIGH SIDE VBS SUPPLY UNDER VOLTAGE LOCKOUT SEQUENCE

When VBS supply voltage drops below the VBS supply UV trip voltage and the duration in this status exceeds the VBS supply UV filter time, the output of the high side is locked. As soon as the VBS supply voltage rises above the VBS supply UV reset voltage, the output will respond to the following active HIN signal.



Note1 : Delay times between input and output signals are not shown in the figure above.

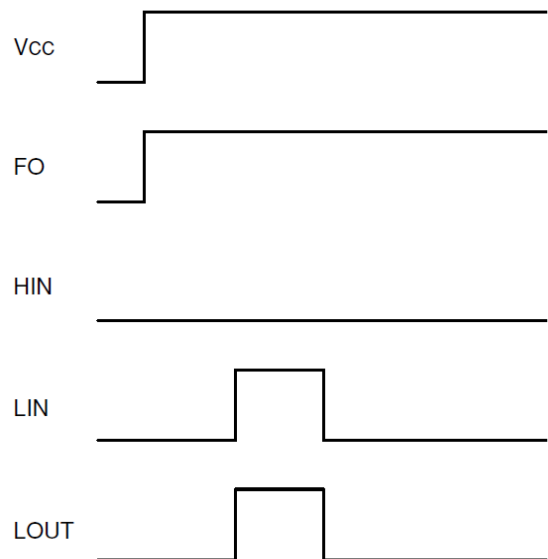
M81748FP

1200V HIGH VOLTAGE HALF BRIDGE DRIVER

6. POWER START-UP SEQUENCE

At power supply start-up the following sequence is recommended when bootstrap supply topology is used.

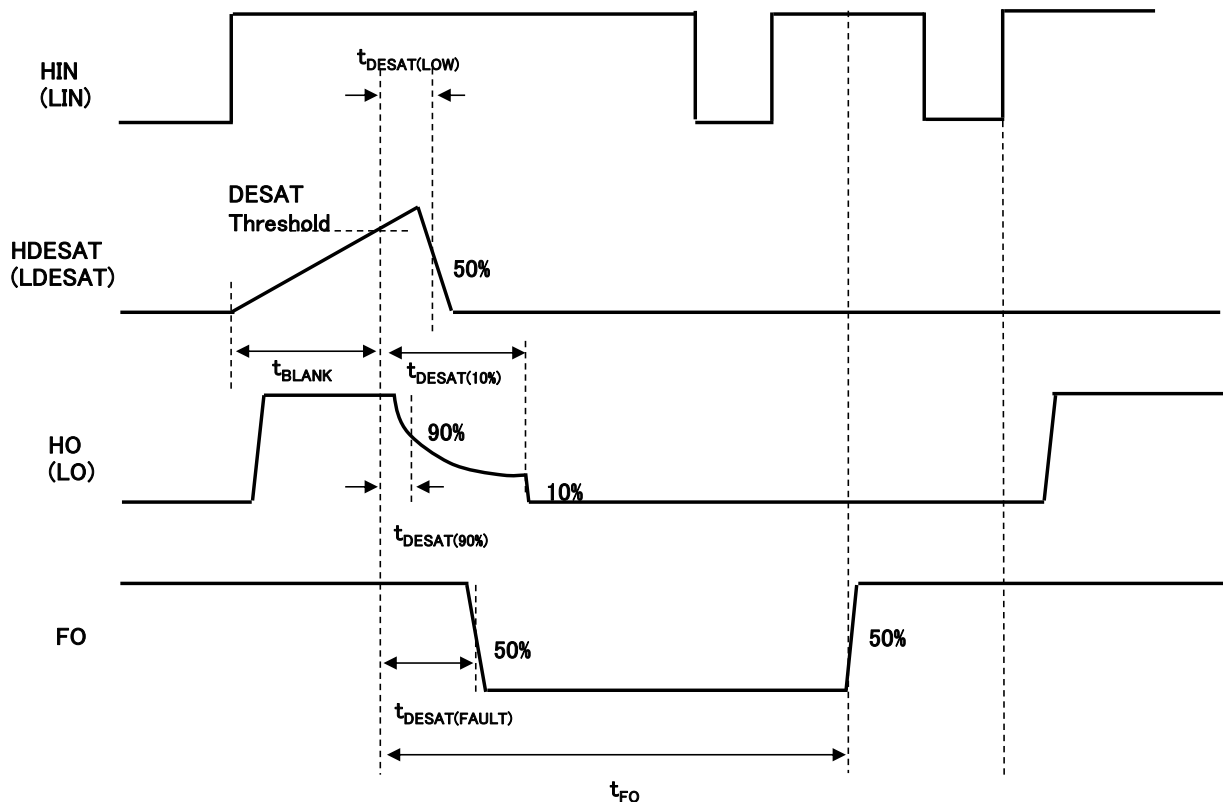
- ① Apply VCC.
- ② Make sure that FO is at high level.
- ③ Set LIN to high level and HIN to low level so that bootstrap capacitor could be charged.
- ④ Set LIN to low level.



Note : If two power supply are used for supplying VCC and VBS individually, it is recommended to set VCC first and then set VBS.

7. DESATURATION DETECTION AND HIGH CURRENT PROTECTION

HDESAT(LDESAT) detects the IGBT Vce voltage. When the IGBT is ON and the DESAT voltage exceeds DESAT threshold voltage, HO(LO) output slowly falls to a low level to softly turn-off the IGBT and prevent high di/dt noises. And FO output falls to a low level to transmit the fault signal to the micro controller. Once the fault condition is detected, all input signals are ignored during the tFO period to complete the soft shutdown.

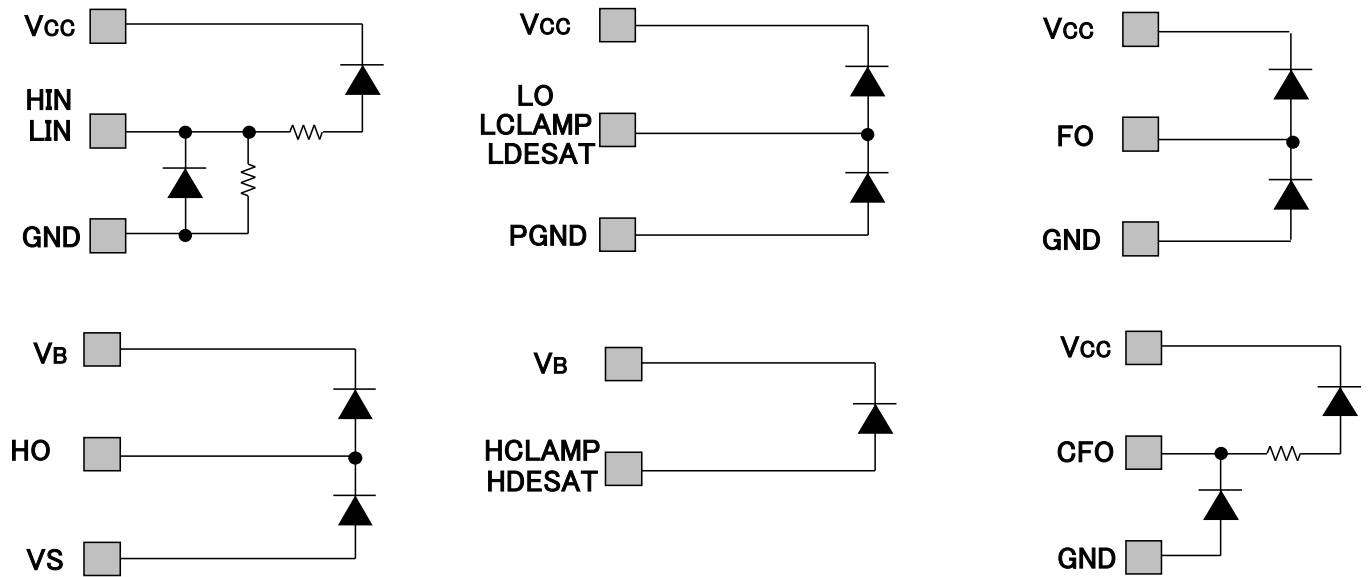


<HVIC>

M81748FP

1200V HIGH VOLTAGE HALF BRIDGE DRIVER

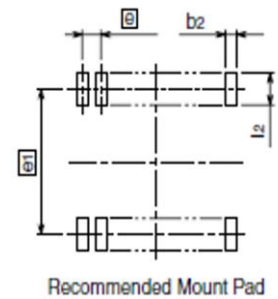
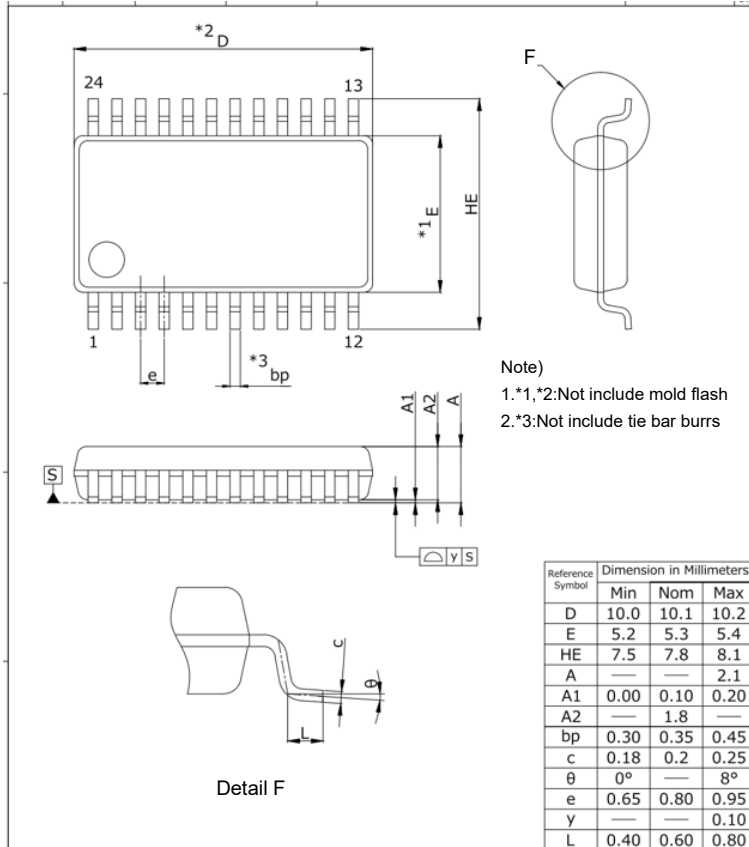
INTERNAL DIODE CLAMP CIRCUITS FOR INPUT AND OUTPUT



ENVIRONMENTAL CONSCIOUSNESS

M81748FP is compliant with the Restriction of the Use of Certain Hazardous Substances in Electrical and Electronic Equipment (RoHS) directive 2011/65/EU+(EU)2015/863.

PACKAGE OUTLINE



SYMBOLS	DIMENSIONS IN MILLIMETERS		
	MIN	NOM	MAX
e1	—	7.62	—
l2	1.27	—	—
e	—	0.8	—
b2	—	0.5	—

The above is one example.
 Please design the mount pad with your evaluation.

<HVIC>

M81748FP

1200V HIGH VOLTAGE HALF BRIDGE DRIVER

Main Revision for this Edition

Rev.	Date	Revision	
		Pages	Points
A	3 Feb. 2015	-	New making
B	22 Nov. 2016	2	RECOMMENDED OPERATING CONDITIONS: Maximum voltage of V_{BS} is changed to 20V from 16.5V. Maximum voltage of V_{CC} is changed to 20V from 16.5V.
C	28 Apr. 2021	-	Update format
D	2 Jul 2024	- 3 4	"Active Miller effect clamp." was changed to "Active Miller clamp." Removed the Zener diode between HDESAT and VS and between LDESAT and PGND. The standard value of "Active Miller clamp NMOS filter time(T_w)" has been added.

Important Notice

The information contained in this datasheet shall in no event be regarded as a guarantee of conditions or characteristics. This product has to be used within its specified maximum ratings, and is subject to customer's compliance with any applicable legal requirement, norms and standards.

Except as otherwise explicitly approved by Mitsubishi Electric Corporation in a written document signed by authorized representatives of Mitsubishi Electric Corporation, our products may not be used in any applications where a failure of the product or any consequences of the use thereof can reasonably be expected to result in personal injury.

In usage of power semiconductor, there is always the possibility that trouble may occur with them by the reliability lifetime such as Thermal Cycle or others, or when having assembling stress (e.g. high temperature of reflow process, or rinse after the reflow), or when used under special operating conditions (e.g. rise/fall time of the power supply voltage, or excessive voltage/current injection), or when used under special circumstances (e.g. condensation, high humidity, dusty, salty, highlands, environment with lots of organic matter / corrosive gas / explosive gas, or situations which terminals of semiconductor products receive strong mechanical stress). Therefore, please pay sufficient attention to such circumstances. Further, depending on the technical requirements, our semiconductor products may contain environmental regulation substances, etc. If there is necessity of detailed confirmation, please contact our nearest sales branch or distributor.

The contents or data contained in this datasheet are exclusively intended for technically trained staff. Customer's technical departments should take responsibility to evaluate the suitability of Mitsubishi Electric Corporation product for the intended application and the completeness of the product data with respect to such application. In the customer's research and development, please evaluate it not only with a single semiconductor product but also in the entire system, and judge whether it's applicable. As required, pay close attention to the safety design by installing appropriate fuse or circuit breaker between a high voltage/large current power supply and power semiconductor products(e.g. IGBT, MOSFET) to prevent secondary damage. Please also pay attention to the application note and the related technical information.

Keep safety first in your circuit designs!

Mitsubishi Electric Corporation puts the maximum effort into making semiconductor products better and more reliable, but there is always the possibility that trouble may occur with them. Trouble with semiconductors may lead to personal injury, fire or property damage. Remember to give due consideration to safety when making your circuit designs, with appropriate measures such as (i) placement of substitutive, auxiliary circuits, (ii) use of non-flammable material or (iii) prevention against any malfunction or mishap.

Notes regarding these materials

- These materials are intended as a reference to assist our customers in the selection of the Mitsubishi semiconductor product best suited to the customer's application; they do not convey any license under any intellectual property rights, or any other rights, belonging to Mitsubishi Electric Corporation or a third party.
- Mitsubishi Electric Corporation assumes no responsibility for any damage, or infringement of any third-party's rights, originating in the use of any product data, diagrams, charts, programs, algorithms, or circuit application examples contained in these materials.
- All information contained in these materials, including product data, diagrams, charts, programs and algorithms represents information on products at the time of publication of these materials, and are subject to change by Mitsubishi Electric Corporation without notice due to product improvements or other reasons. It is therefore recommended that customers contact Mitsubishi Electric Corporation or an authorized Mitsubishi Semiconductor product distributor for the latest product information before purchasing a product listed herein.
The information described here may contain technical inaccuracies or typographical errors. Mitsubishi Electric Corporation assumes no responsibility for any damage, liability, or other loss rising from these inaccuracies or errors.
Please also pay attention to information published by Mitsubishi Electric Corporation by various means, including the Mitsubishi Semiconductor home page (<http://www.MitsubishiElectric.com/>).
- When using any or all of the information contained in these materials, including product data, diagrams, charts, programs, and algorithms, please be sure to evaluate all information as a total system before making a final decision on the applicability of the information and products. Mitsubishi Electric Corporation assumes no responsibility for any damage, liability or other loss resulting from the information contained herein.
- Mitsubishi Electric Corporation semiconductors are not designed or manufactured for use in a device or system that is used under circumstances in which human life is potentially at stake. Please contact Mitsubishi Electric Corporation or an authorized Mitsubishi Semiconductor product distributor when considering the use of a product contained herein for any specific purposes, such as apparatus or systems for transportation, vehicular, medical, aerospace, nuclear, or undersea repeater use.
- The prior written approval of Mitsubishi Electric Corporation is necessary to reprint or reproduce in whole or in part these materials.
- If these products or technologies are subject to the Japanese export control restrictions, they must be exported under a license from the Japanese government and cannot be imported into a country other than the approved destination.
Any diversion or re-export contrary to the export control laws and regulations of Japan and/or the country of destination is prohibited.
- Please contact Mitsubishi Electric Corporation or an authorized Mitsubishi Semiconductor product distributor for further details on these materials or the products contained therein.